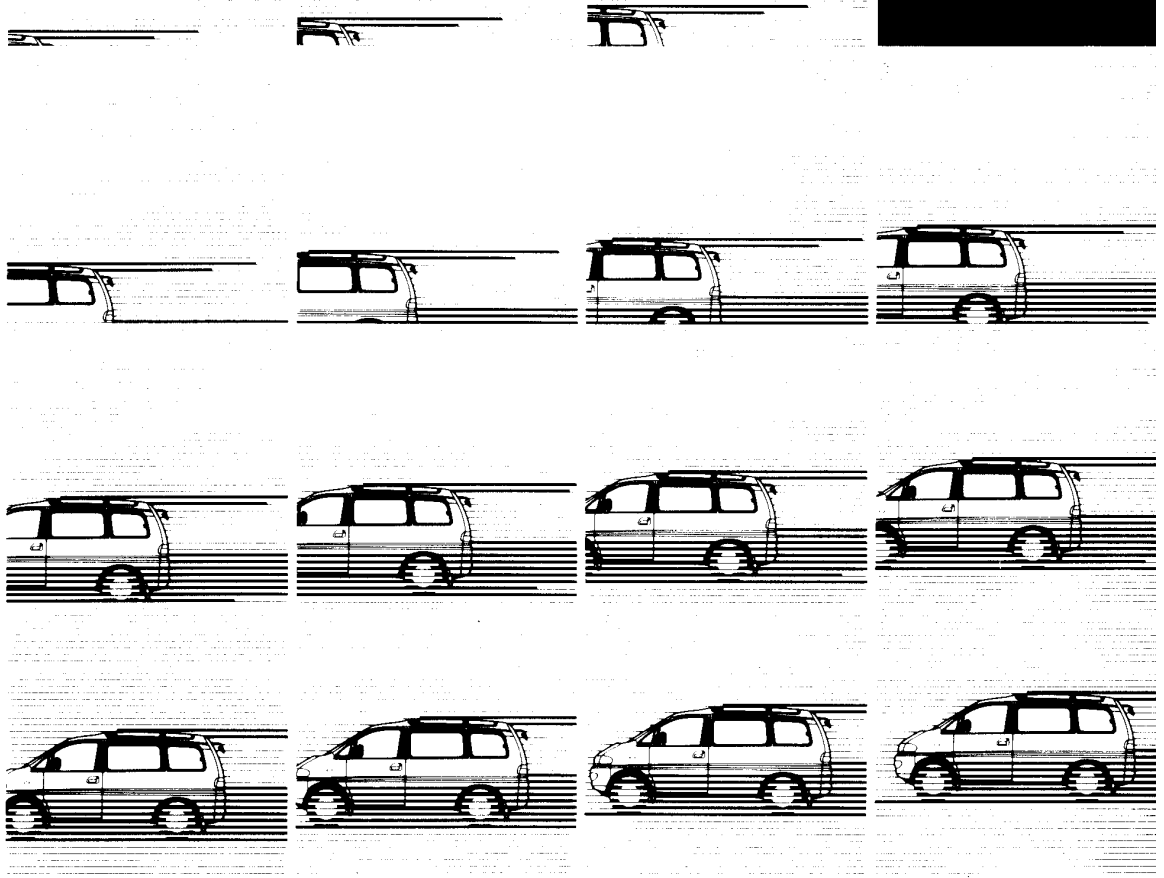
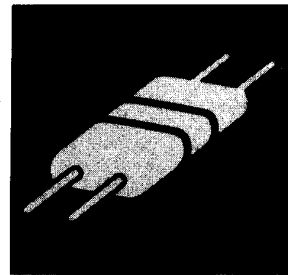




# Workshop Manual

## electrical wiring

### MITSUBISHI L400 '95



Pub. No. PHWE9407

# MITSUBISHI L400

## ELECTRICAL WIRING

### FOREWORD

This Electrical Wiring Manual contains information necessary for inspection and servicing of electrical wiring of Mitsubishi L400 edited in the form of wiring harness configuration diagrams and function-separated circuit diagrams.

It is recommended that all service mechanics engaged in the servicing of the vehicle refer to the following publications as well as this manual.

TECHNICAL INFORMATION MANUAL  
PYWE9410

WORKSHOP MANUAL  
CHASSIS GROUP PWWE9410  
BODY REPAIR MANUAL  
PBWE9404  
ENGINE GROUP PWEE□□□□  
(Looseleaf edition)

PARTS CATALOGUE B603A805A□

All information, illustrations and product descriptions contained in this manual are current as of time of publication. We, however, reserve the right to make changes at any time without prior notice or obligation.

## GROUP INDEX

120002504

HOW TO READ THE WIRING DIAGRAMS .....	1
WIRING HARNESS CONFIGURATION DIAGRAMS .....	2
SINGLE PART INSTALLATION POSITION .....	3
CIRCUIT DIAGRAM .....	4
INDEX .....	



# HOW TO USE THIS MANUAL

120002505

## CONTENTS

The preceding page contains GROUP INDEX that lists the group title and group number.

## PAGE NUMBERS

All page numbers consist of two sets of digits separated by a dash. The digits preceding the dash identify the number of the group. The digits following the dash represent the consecutive page number within the group. The page number can be found on the top left or right of each page.

## OPERATION AND TROUBLESHOOTING HINTS

In the GROUP 4 circuit diagrams, the operation and troubleshooting hints are given on the previous page or following page for each circuit where necessary.

# 1 HOW TO READ THE WIRING DIAGRAMS

120002506

<b>MODELS .....</b>	<b>1-2</b>
<b>COMPOSITION AND CONTENTS OF WIRING DIAGRAMS .....</b>	<b>1-4</b>
<b>HOW TO READ CONFIGURATION DIAGRAMS .....</b>	<b>1-5</b>
<b>HOW TO READ CIRCUIT DIAGRAMS .....</b>	<b>1-6</b>
<b>MARKINGS FOR CONNECTOR EARTHING .....</b>	<b>1-8</b>
<b>WIRE COLOUR CODES .....</b>	<b>1-11</b>
<b>ABBREVIATION SYMBOLS .....</b>	<b>1-12</b>

## MODELS

120002507

## &lt;Standard wheelbase models&gt;

Model code		Engine model	Transmission model	Fuel supply system
PA3V	GLZDAL6	4G63 (1,997ml)	R5M21 (2WD-5M/T)	Electronically-controlled carburettor
	NLZDAL6			MPI
	GLZDEL6			
	GLZDER6			
	NLZDEL6			
	NLNUEL6			
PA5V	GLZDTL6	4D56 (2,476ml) with turbo-charger	R5M21 (2WD-5M/T)	Injection
	GLZDTR6			
	GLZDTAL6			
	NLZDTAL6			
PD4V	NLNDEL6	4G64 (2,350ml)	V5M21 (4WD-5M/T)	MPI
PD5V	GLNDDL6	4D56 (2,476ml) with turbo-charger	V5M21 (4WD-5M/T)	Injection
	GLNDTAL6			
PA3W	NLZJEL6	4G63 (1,997ml)	R5M21 (2WD-5M/T)	MPI
	NLZUEL6			
	NLNUEL6		R4AW2 (2WD-4A/T)	
	NLEUEL6			
PA4W	HSNHEL6	4G64 (2,350ml)	R5M21 (2WD-5M/T)	MPI
	HSEHEL6		R4AW2 (2WD-4A/T)	
PA5W	NLZUFL6	4D56 (2,476ml) with inter-cooler turbocharger	R5M31 (2WD-5M/T)	Injection
	NLZUFAL6			
PD4W	NLNUEL6	4G64 (2,350ml)	V5M21 (4WD-5M/T)	MPI
PD5W	NLNUFL6	4D56 (2,476ml) with inter-cooler turbocharger	V5M31 (4WD-5M/T)	Injection
	NLNUFAL6			

<Long wheelbase models>

Model code		Engine model	Transmission model	Fuel supply system
PB3V	JLZDAL6	4G63 (1,997ml)	R5M21 (2WD-5M/T)	Electronically-controlled carburettor
	HLZDEL6			MPI
	JLZDEL6			
	JLZDER6			
PB5V	HLZDTL6	4D56 (2,476ml) with turbo-charger	R5M21 (2WD-5M/T)	Injection
	JLZDTL6			
	JLZDTR6			
	JLZDTAL6			

**COMPOSITION AND CONTENTS OF WIRING DIAGRAMS**

- (1) This manual consists of wiring harness diagrams, installation locations of individual parts, circuits diagrams and index.
- (2) In each section, all specifications are listed, including optional specifications. Accordingly, some specifications may not be applicable for individual vehicles.

Section	Basic contents
Wiring harness configuration diagrams	Connector locations and harness wiring configurations on actual vehicles are illustrated.
Single part installation position	Locations are shown for each point of relays, control units, sensors, solenoids, solenoid valves, diodes, inspection connectors, spare connectors, fusible links, fuses, etc. In the part's lists, parts are listed in alphabetical order.
Circuit diagrams	<p>Circuits from power supply to earth are shown completely, classified according to system. There is a main division into power circuits, and circuits classified by system. The circuits classified by system also include operation and troubleshooting hints.</p> <ul style="list-style-type: none"> <li>● Junction block The entire circuit for the junction block is described, because only the part of the junction block needed is normally shown in each circuit diagram.</li> <li>● Joint connectors The internal circuits for all joint connectors are described, because only the part needed is shown in each circuit diagram.</li> <li>● Power supply circuits Circuits from the battery to fusible link, dedicated fuses, ignition switch, general purpose fuses, etc.</li> <li>● Circuits classified by system For each system, the circuits are shown from fuse to earth, excluding the power supply sections.</li> <li>● Operation The standard operation of each system is briefly described, following the route of current flow.</li> <li>● Troubleshooting hints This is a brief explanation of the inspection points that serve as hints when troubleshooting. Explanations of the circuits controlled by the electronic control unit are omitted. Refer to the related publications as required.</li> </ul>
Index	All components used are listed by connector number and component name.

HOW TO READ CONFIGURATION DIAGRAMS

120000780

The wiring harness diagrams clearly show the connector locations and harness routings at each site on actual vehicles.

Denotes connector No.  
 The same connector No. is used throughout the circuit diagrams to facilitate connector location searches.  
 The first alphabetical symbol indicates the location site of the connector and a number that follows is the unique number. Numbers are assigned to parts in clockwise order on the diagram.  
 In addition, the number of connector pins and the connector colour (except milk white)\* are shown for ease of retrieval.

Example: A-12 (2-B)

- Connector colour (milk white if no colour is indicated)
- Number of connector pins
- Number specific to connector (serial number)
- Connector location site symbol

A: Engine compartment  
 B: Transmission  
 C: Dash panel  
 D: Instrument panel  
 E: Roof and rear side  
 F: Floor and rear side  
 G: Under floor  
 H: Door  
 J: Tailgate

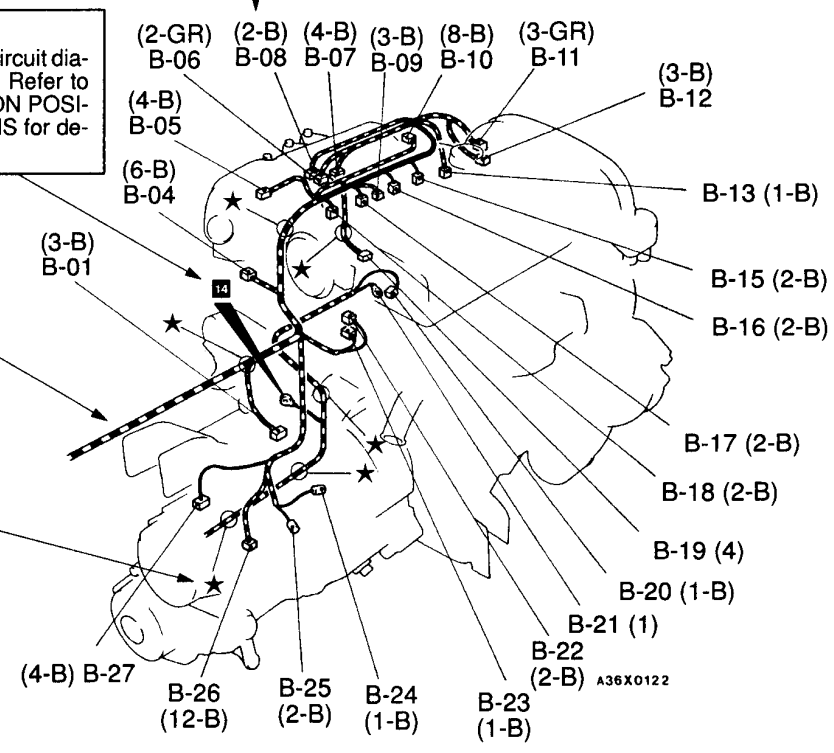
\*: Typical connector colours  
 B: Black  
 Y: Yellow  
 L: Blue  
 G: Green  
 R: Red  
 BR: Brown  
 V: Violet  
 O: Orange  
 GR: Gray

Denotes earth point.  
 Same earth number is used throughout circuit diagrams to facilitate search of earth point. Refer to GROUP 3 SINGLE PART INSTALLATION POSITION - EARTH MOUNTING LOCATIONS for details of earth points.

Denotes a section covered by a corrugated tube.

The mark ★ shows the standard mounting position of wiring harness.

Indicates the device to which the connector is to be connected "-" means that the connector with code number is not used.

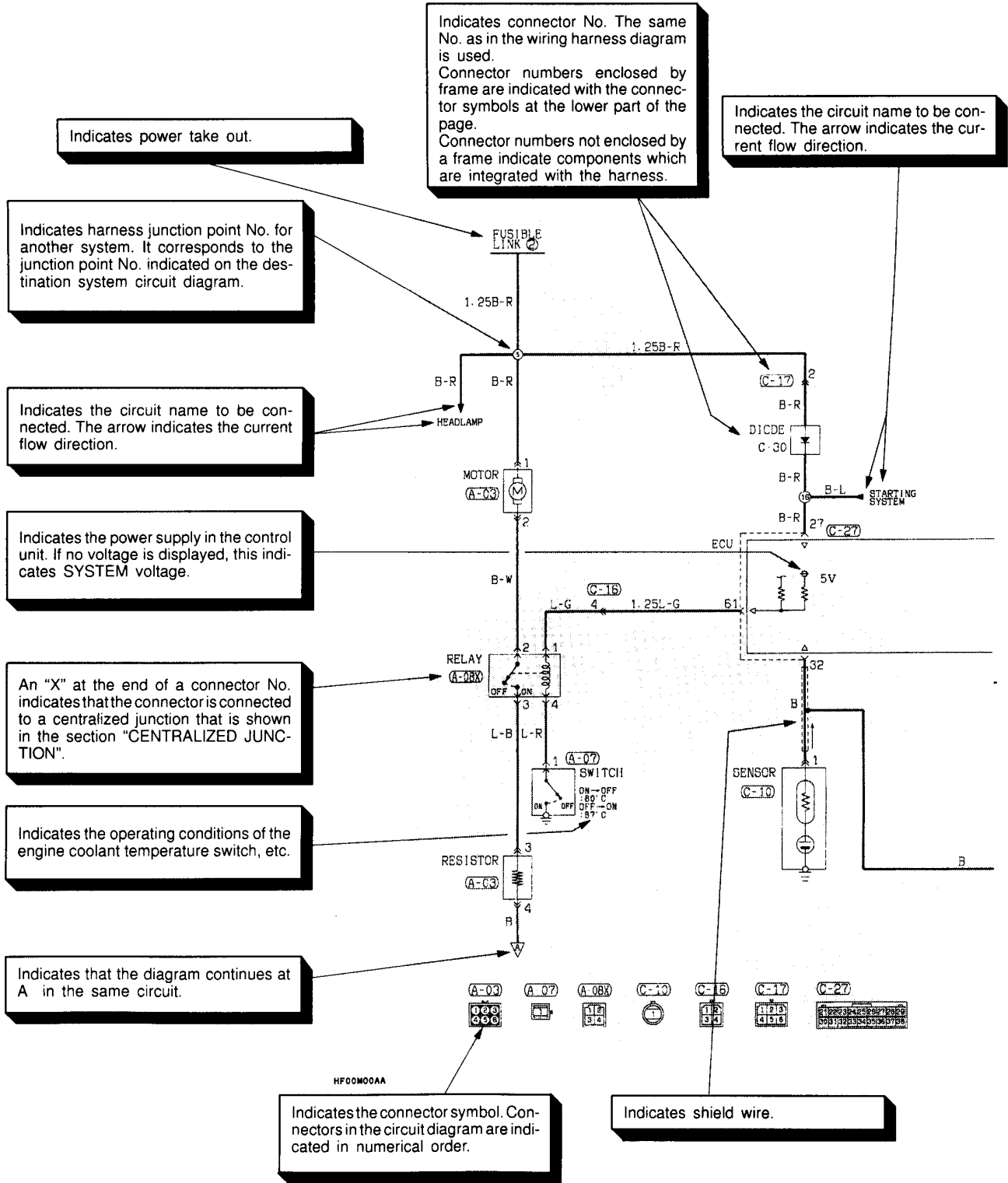


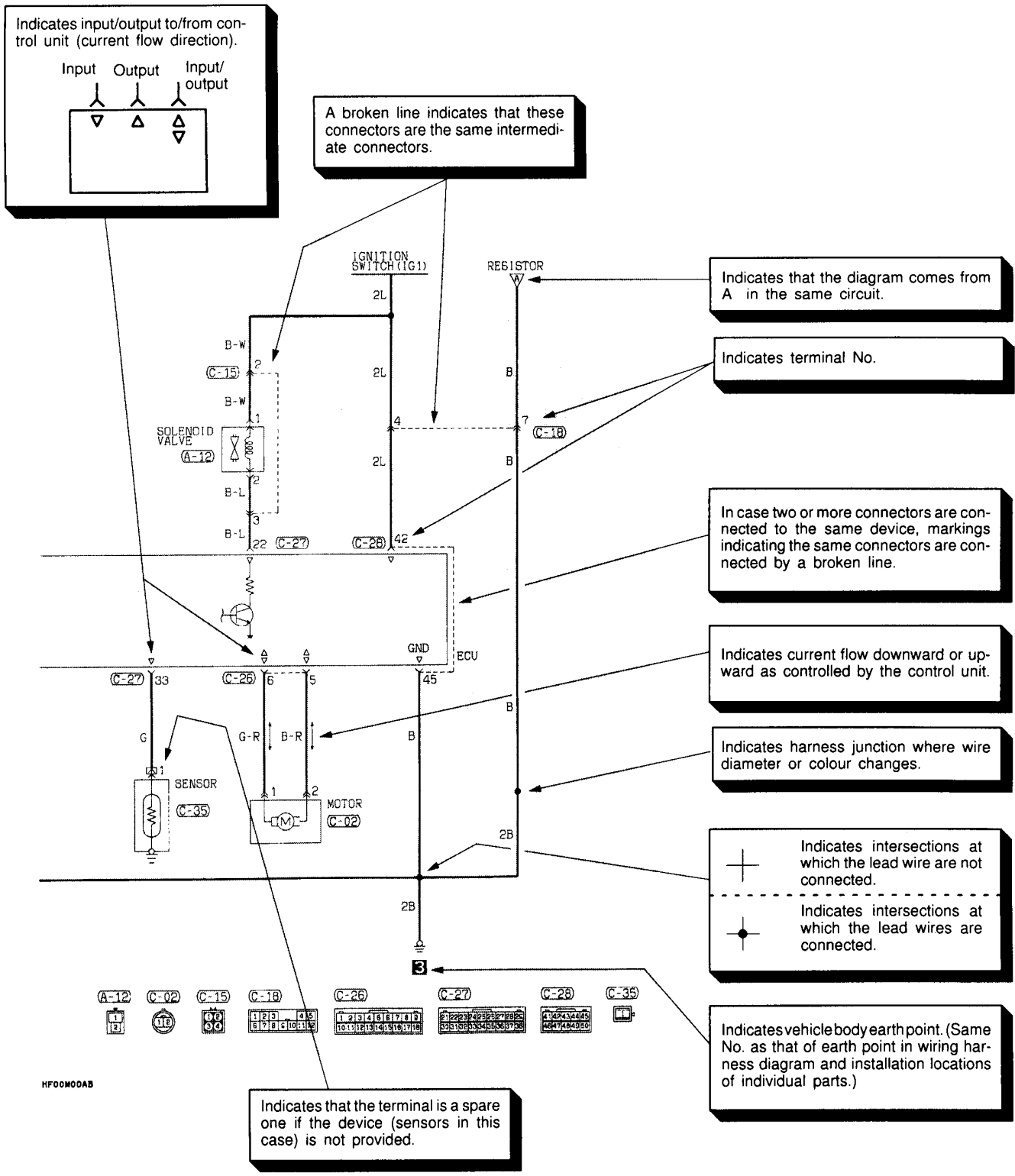
- |      |                          |      |                       |
|------|--------------------------|------|-----------------------|
| B-01 | Vehicle speed sensor     | B-16 | Injector No. 2        |
| B-02 | Distributor assembly     | B-17 | Injector No. 3        |
| B-03 | Distributor assembly     | B-18 | Injector No. 4        |
| B-04 | Idle speed control servo | B-19 | Oxygen sensor (front) |
| B-05 | Throttle position sensor | B-20 | Starter motor         |
| B-06 | -                        | B-21 | Starter motor         |



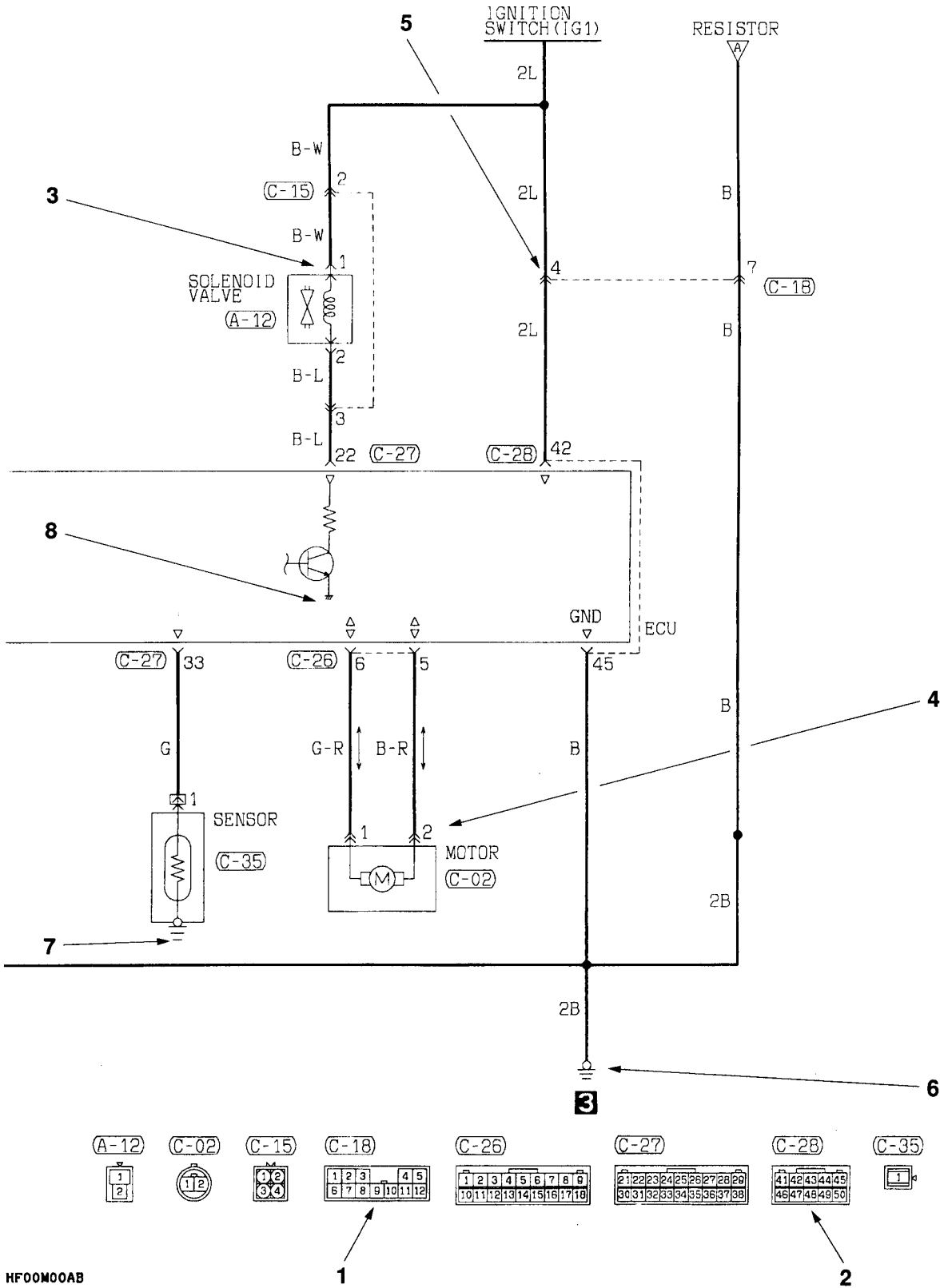
# HOW TO READ CIRCUIT DIAGRAMS

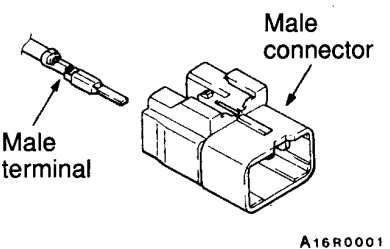
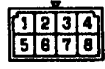
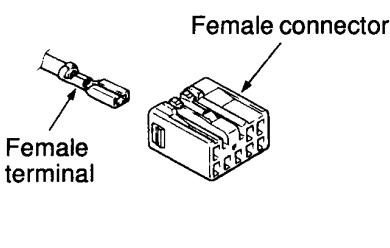

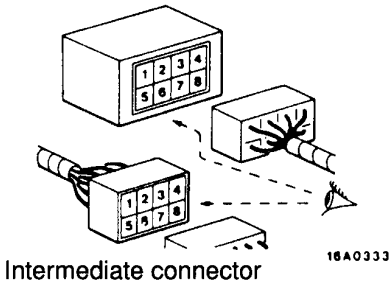
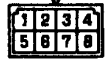
The circuit of each system from fuse (or fusible link) to earth is shown. The power supply is shown at the top and the earth at the bottom to facilitate understanding of the current flow.





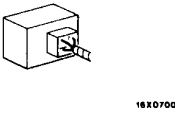
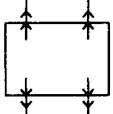
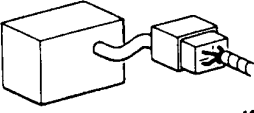
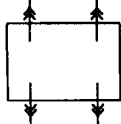
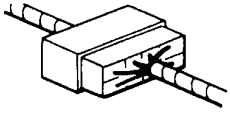

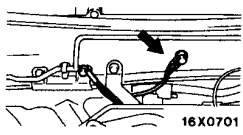



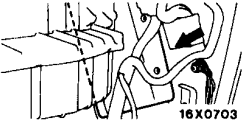

MARKINGS FOR CONNECTOR EARTHING



Item	No.	Connector/Earthing	Symbol	Contents
Connector and terminal marking	1	 <p>Male terminal</p> <p>Male connector</p> <p>A16R0001</p>	<p>Male terminal</p> <p>↓</p> <p>Male connector</p> 	<p>The male and female terminals are indicated as shown. The connector with male terminal(s) is called as male connector and indicated by double connector contour lines, while the connector with female terminal(s) is called as female connector and indicated by single connector contour line.</p>
	-	 <p>Female terminal</p> <p>Female connector</p> <p>A16R0002</p>	<p>Female terminal</p> <p>∩</p> <p>Female connector</p> 	
Connector symbol marking	2	<p>Device</p>  <p>Intermediate connector</p> <p>16A0333</p>		<p>The symbol indicates the connector as viewed from illustrated direction. At the connection with a device, the connector symbol on the device side is shown, and for an intermediate connector, male connector symbol is shown.</p> <p>For the diagnosis connector, its contents differ from the previous description. Refer to "MUT-II operation instruction" in detail.</p>

**1-10**

**HOW TO READ THE WIRING DIAGRAMS – Markings for Connector Earthing**

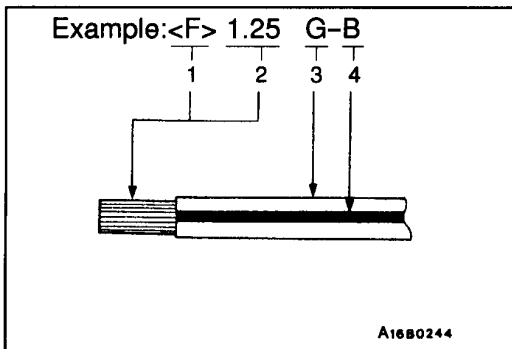
Item	No.	Connector/Earthing	Symbol	Contents
Connector connection marking	3	Direct connection type 		A connection between a device and connector on the harness side is either by direct insertion in the device (direct connection type) or by connection with a harness connector on the device side furnished (harness connection type). The two types are indicated as illustrated.
	4	Harness connection type 		
	5	Intermediate connector 		
Earth markings	6	Body earth 		Earth is either by body earth, device earth or control unit interior earth. These are indicated as illustrated.
	7	Device earth 		
	8	Earth in control unit 		

**WIRE COLOUR CODES**

120000783

Wire colours are identified by the follow colour codes.

Code	Wire colour	Code	Wire colour
B	Black	P	Pink
BR	Brown	R	Red
G	Green	SB	Sky blue
GR	Gray	SI	Silver
L	Blue	V	Violet
LG	Light green	W	White
O	Orange	Y	Yellow



If a cable has two colours, the first of the two colour code characters indicates the basic colour (colour of the cable coating) and the second indicates the marking colour

No.	Meaning
1	<F>:Flexible wire
	<T>:Twisted wire
2	Wire size(mm <sup>2</sup> )*
3	Basic colour (colour of the cable coating)
4	Marking colour

**NOTE**

\*: No code indicates 0.5 mm<sup>2</sup> (.0008 in<sup>2</sup>).  
 Cable colour code in parentheses indicates 0.3 mm<sup>2</sup> (.0005 in<sup>2</sup>).

## 1-12 HOW TO READ THE WIRING DIAGRAMS – Abbreviation Symbols

### ABBREVIATION SYMBOLS

120002509

The abbreviation symbols used in wiring diagrams are defined below.

#### 1. Abbreviation symbols used for system name

Abbreviation symbol	Meaning	Abbreviation symbol	Meaning
ABS	Anti-lock braking system	EGR	Exhaust gas recirculation
A/C	Air conditioner	MPI	Multi-point injection
A/T	Automatic transmission	M/T	Manual transmission
DRL	Daytime running lamp	SRS	Supplemental restraint system

#### 2. Abbreviation symbols used for combination meters

Abbreviation symbol	Meaning	Abbreviation symbol	Meaning
2WD	2WD indicator lamp	R/FOG	Rear fog lamp indicator lamp
4WD	4WD indicator lamp	SPEED	Speedometer
ABS	Anti-lock braking system warning lamp	SRS	Supplemental restraint system warning lamp
BEAM	High beam indicator lamp		
BRAKE	Brake warning lamp	TACHO	Tachometer
CHECK ENGINE	Check engine warning lamp	TRIP	Trip odometer
CHG	Charging warning lamp	T/GA	Engine coolant temperature gauge
DOOR	Door-ajar warning lamp	TURN (LH)	Turn signal indicator lamp (L.H.)
F/GA	Fuel gauge	TURN (RH)	Turn signal indicator lamp (R.H.)
FUEL	Low fuel warning lamp	VOLT	Voltage meter
GLOW	Diesel preheat indicator lamp	WASHER	Headlamp washer level warning lamp
ODO	Odometer	WATER SEPARATOR	Fuel filter warning lamp
OD OFF	Overdrive off indicator lamp		
OIL	Oil pressure warning lamp	WHEEL LOCK	Free wheel differential lock indicator lamp
OIL LEVEL	Engine oil level warning lamp		

3. Abbreviation symbols used for switches and relays

Name of switches and relays	Abbreviation symbols	Operation	Name of switches and relays	Abbreviation symbols	Operation	
Ignition switch	ACC	When turned to the ACC (ACCESSORY) or ON position, the power circuit will start	Door lock key cylinder switch	LOCK	Door lock	
				UNLOCK	Door unlock	
	IG1	Even when at the ST (START) position, the power circuit will start	Blower switch	LO	Blower operates at low speed	
				ML	Blower operates at medium low speed	
	IG2	When at the ST (START) position, the power circuit will not start functioning		ME	Blower operates at medium speed	
				MH	Blower operates at medium high speed	
Dimmer passing switch	LO	Low beams ON		Windshield wiper switch	HI	Blower operates at high speed
	HI	High beams ON			LO	Wipers operate at low speed
Lighting switch	TAIL	Position, tail, licence plate and instrument panel lamps ON	Variable intermittent wiper control switch		HI	Wipers operate at high speed
					INT	Wipers operate intermittently
Room lamp switch	DOOR	Room lamp ON when a door is open			SLOW	Pause time for intermittent operation lengthen
					FAST	Pause time for intermittent operation shorten
Lighting adjust switch	B	Illumination lamp lighten enough	Rear wiper switch	LO	Wiper operates at low speed	
	M	Illumination lamp lighten at medium brightness		INT	Wiper operates intermittently	
	D	Illumination lamp dim	Remote control mirror switch	LH	L.H. mirror operates	
Turn signal switch	LH	L.H. turn signal lamps ON		RH	R.H. mirror operates	
	Power window switch	UP	Window closes	Sunroof switch	OPEN	Sunroof slides to open
CLOSE					Sunroof slides to close	
DOWN		Window opens	Sunshade switch	OPEN	Sunshade opens	
AUTO	Window opens fully	CLOSE		Sunshade closes		
Door lock actuator	LOCK	Door lock	Others	ON	Switched on	
	UNLOCK	Door unlock		OFF	Switched off	



## 1-14 HOW TO READ THE WIRING DIAGRAMS – Abbreviation Symbols

---

### 4. Other abbreviation symbols

Abbreviation symbol	Meaning	Abbreviation symbol	Meaning
2WD	Rear wheel-drive vehicles	LH	Left hand
4WD	4 wheel-drive vehicles	LHD	L.H. drive vehicles
ACC	Accessory	MAP	Map lamp
DIESEL	Diesel-powered vehicles	OD	Overdrive
ECU	Electronic control unit	PETROL	Petrol-powered vehicles
FL	Fluorescent lamp	RH	Right hand
GND	Earth	RHD	R.H. drive vehicles
ILL	Illumination lamp	ROOM	Room lamp
IND	Indicator lamp	SPOT	Spot lamp
J/B	Junction block	TDC	Top dead centre
J/C	Joint connector		

## 2 WIRING HARNESS CONFIGURATION DIAGRAMS

120002471

### OVERALL WIRING DIAGRAM

L.H. drive vehicles .....	2-2
R.H. drive vehicles .....	2-3

### ENGINE COMPARTMENT

Electronically-controlled carburettor .....	2-4
MPI <L.H. drive vehicles> .....	2-10
MPI <R.H. drive vehicles> .....	2-16
Diesel <L.H. drive vehicles> .....	2-22
Diesel <R.H. drive vehicles> .....	2-28

### TRANSMISSION .....

2-34

### DASH PANEL

L.H. drive vehicles .....	2-36
R.H. drive vehicles .....	2-40

### INSTRUMENT PANEL

L.H. drive vehicles .....	2-44
R.H. drive vehicles .....	2-46

### ROOF AND REAR SIDE

L.H. drive vehicles with crystal lite roof sunshade .....	2-48
L.H. drive vehicles with twin sunroof .....	2-50
L.H. drive vehicles without sunroof .....	2-52
R.H. drive vehicles .....	2-54

### FLOOR AND REAR SIDE

L.H. drive vehicles .....	2-56
R.H. drive vehicles .....	2-57

### UNDER FLOOR

L.H. drive vehicles .....	2-58
R.H. drive vehicles .....	2-60

### DOOR

L.H. drive vehicles .....	2-62
R.H. drive vehicles .....	2-64

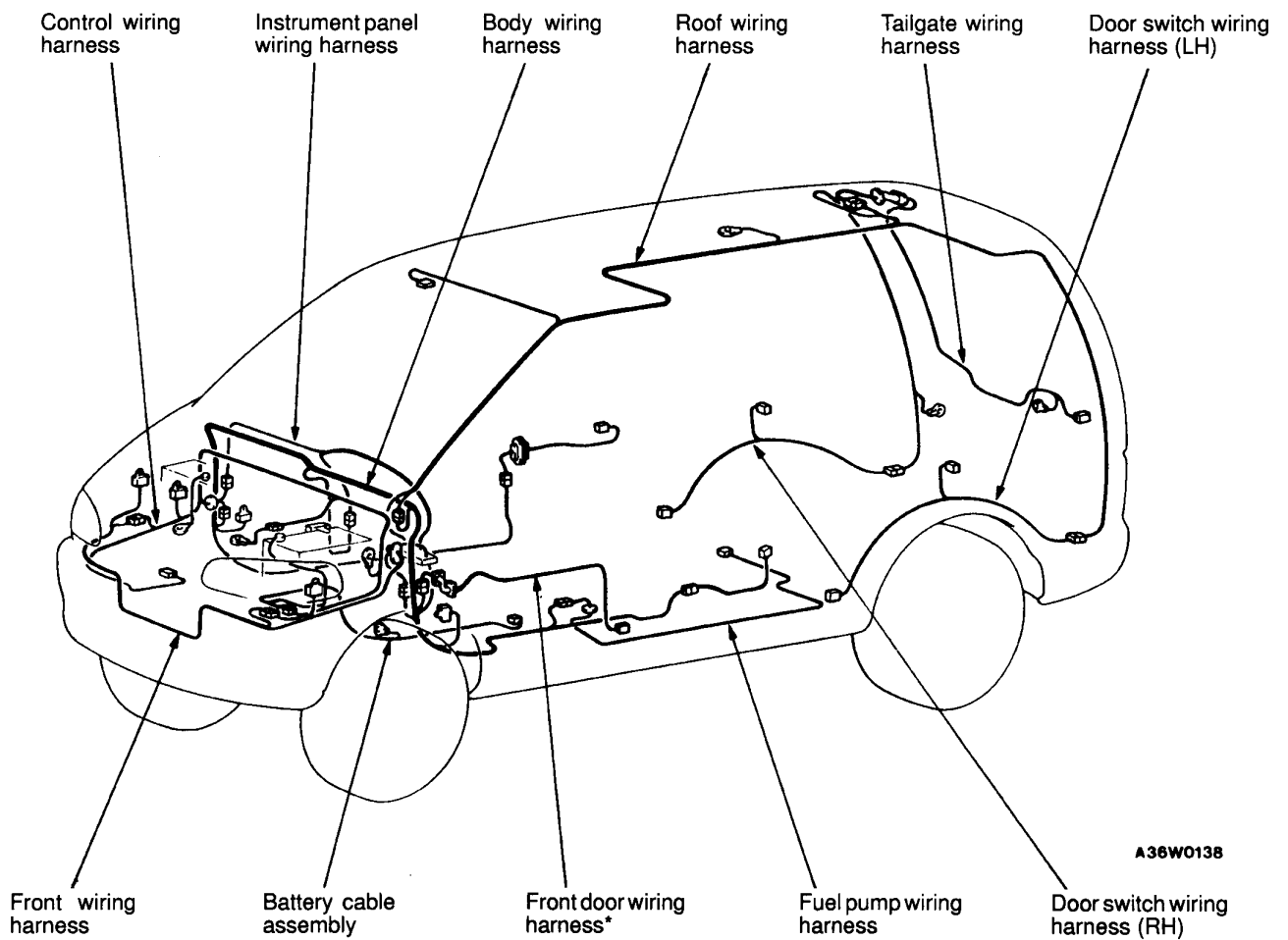
### TAILGATE .....

2-66

OVERALL WIRING DIAGRAM

120002472

L.H. drive vehicles

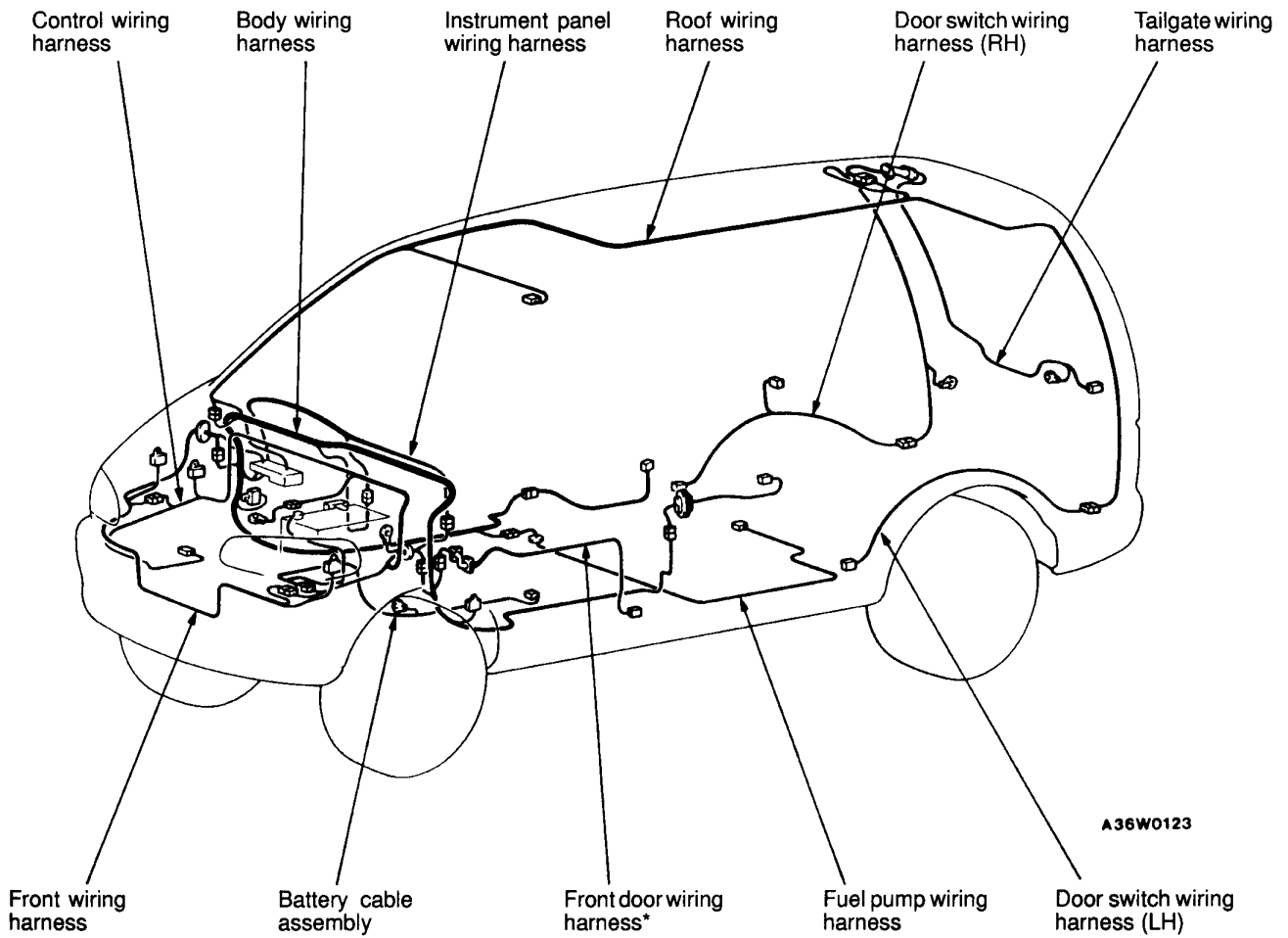


NOTE

- (1) These illustrations show only major wiring harnesses.
- (2) \*: also equipped at the right side.

R.H. drive vehicles

120002473



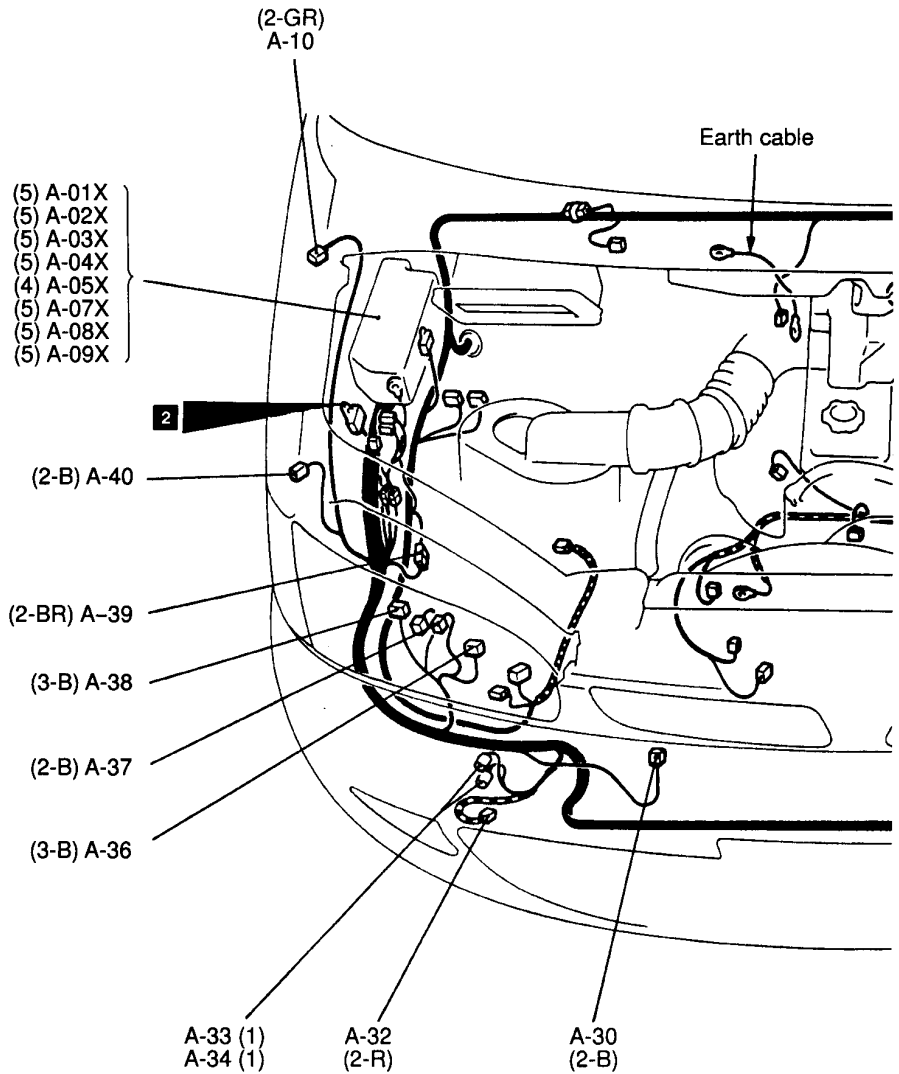
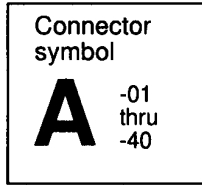
NOTE

- (1) These illustrations show only major wiring harnesses.
- (2) \*: also equipped at the right side.

ENGINE COMPARTMENT

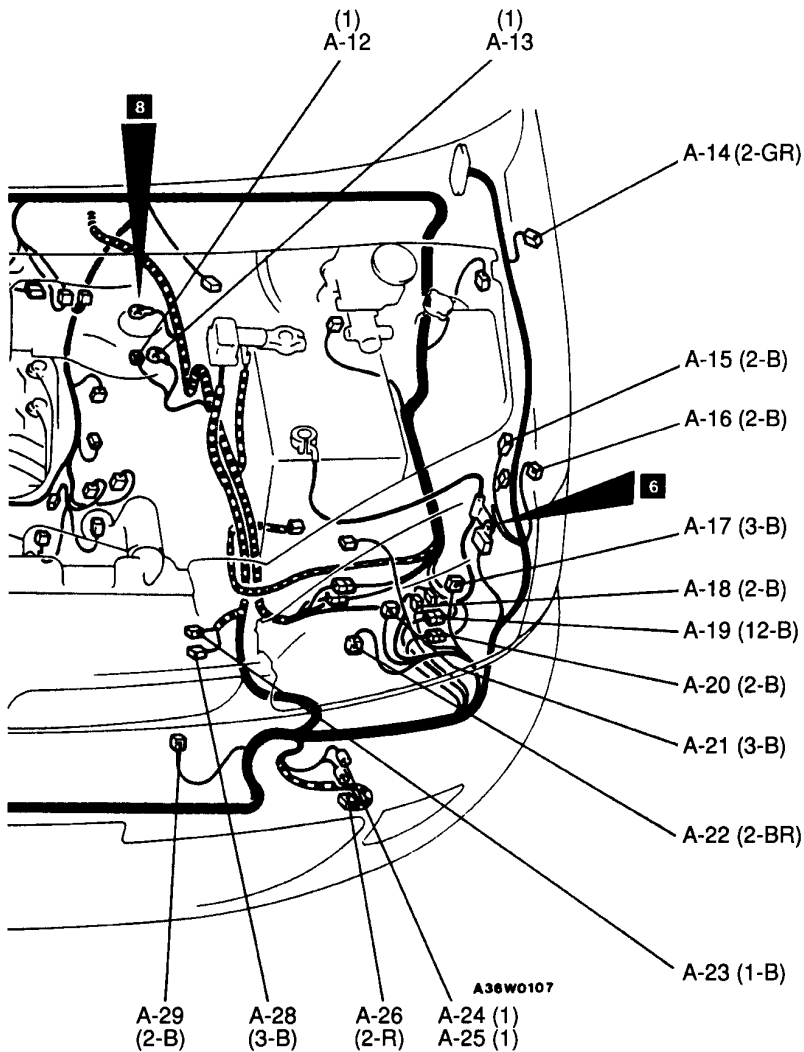
120002474

Electronically-controlled carburettor



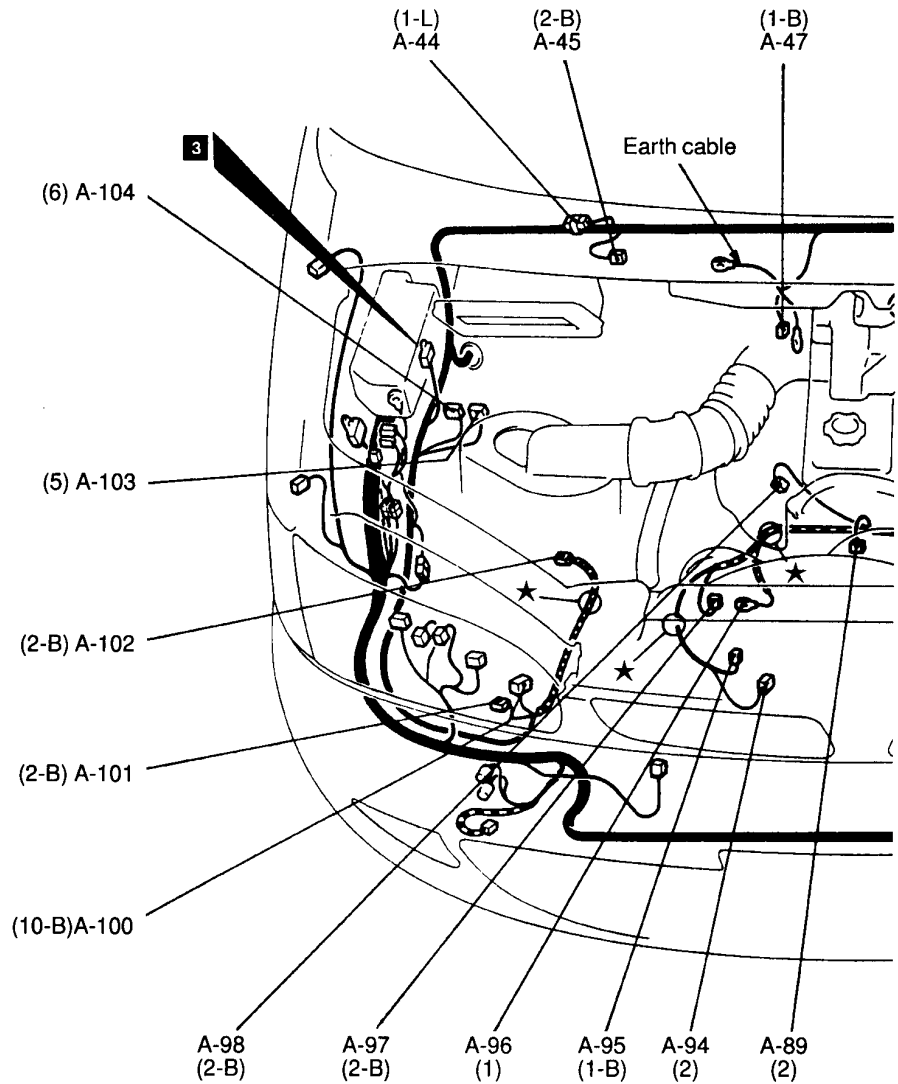
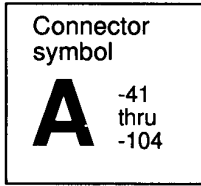
- A-01X Horn relay <SRS>
- A-02X A/C compressor relay
- A-03X Front condenser fan motor relay
- A-04X Side condenser fan motor relay <Dual A/C>
- A-05X Auto choke relay
- A-06X -
- A-07X Rear fog lamp relay
- A-08X Tail lamp relay
- A-09X Headlamp relay
- A-10 Side turn signal lamp (RH)
- A-11 -
- A-12 Starter

- A-13 Starter
- A-14 Side turn signal lamp (LH)
- A-15 Windshield washer motor
- A-16 Front turn signal lamp (LH)
- A-17 Headlamp (LH)
- A-18 Position lamp (LH)
- A-19 Control wiring harness and front wiring harness combination
- A-20 Control wiring harness and front wiring harness combination
- A-21 Headlamp (LH)



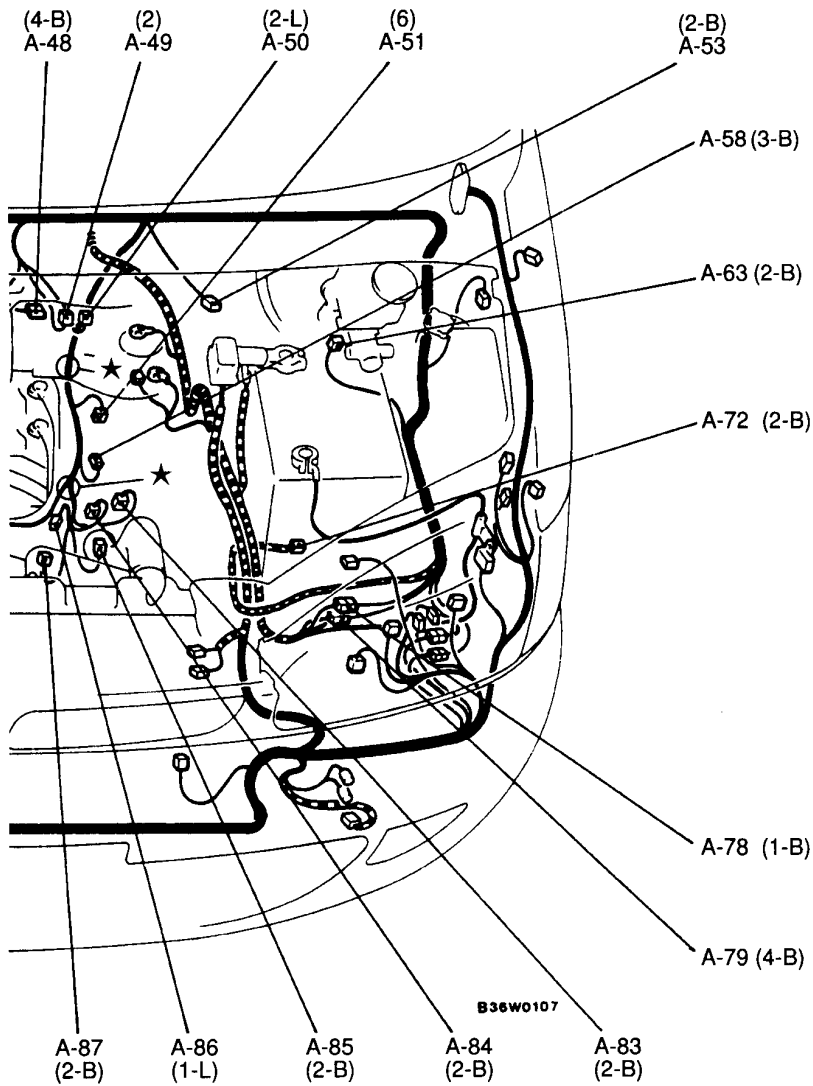
- |      |   |      |   |
|------|---|------|---|
| A-22 | Dual pressure switch <A/C>  | A-32 | Front impact sensor (RH) <SRS>                              |
| A-23 | Magnetic clutch <A/C>   | A-33 | Horn (RH)   |
| A-24 | Horn (LH)   | A-34 | Horn (RH)   |
| A-25 | Horn (LH)   | A-35 | -   |
| A-26 | Front impact sensor (LH) <SRS>  | A-36 | Headlamp (RH)   |
| A-27 | -   | A-37 | Position lamp (RH)  |
| A-28 | A/C refrigerant temperature switch and A/C compressor magnetic valve <Dual A/C> | A-38 | Headlamp (RH)   |
| A-29 | Front condenser fan motor (LH) <A/C>  | A-39 | Control wiring harness and front wiring harness combination |
| A-30 | Front condenser fan motor (RH) <A/C>  | A-40 | Front turn signal lamp (RH)                                 |
| A-31 | -   |      |   |

Electronically-controlled carburettor



- A-41 -
- A-42 -
- A-43 -
- A-44 Engine speed detection connector
- A-45 Front A/C magnetic valve <Dual A/C>
- A-46 -
- A-47 Engine coolant temperature gauge unit
- A-48 Windshield wiper motor
- A-49 Idle-up solenoid valve <ABS>
- A-50 Idle-up solenoid valve <A/C>
- A-51 Solenoid valve assembly
- A-52 -
- A-53 Vacuum switch
- A-54 -
- A-55 -
- A-56 -
- A-57 -
- A-58 Throttle position sensor

- A-59 -
- A-60 -
- A-61 -
- A-62 -
- A-63 Brake fluid level switch
- A-64 -
- A-65 -
- A-66 -
- A-67 -
- A-68 -
- A-69 -
- A-70 -
- A-71 -
- A-72 Front wheel speed sensor (LH) <ABS>
- A-73 -
- A-74 -
- A-75 -



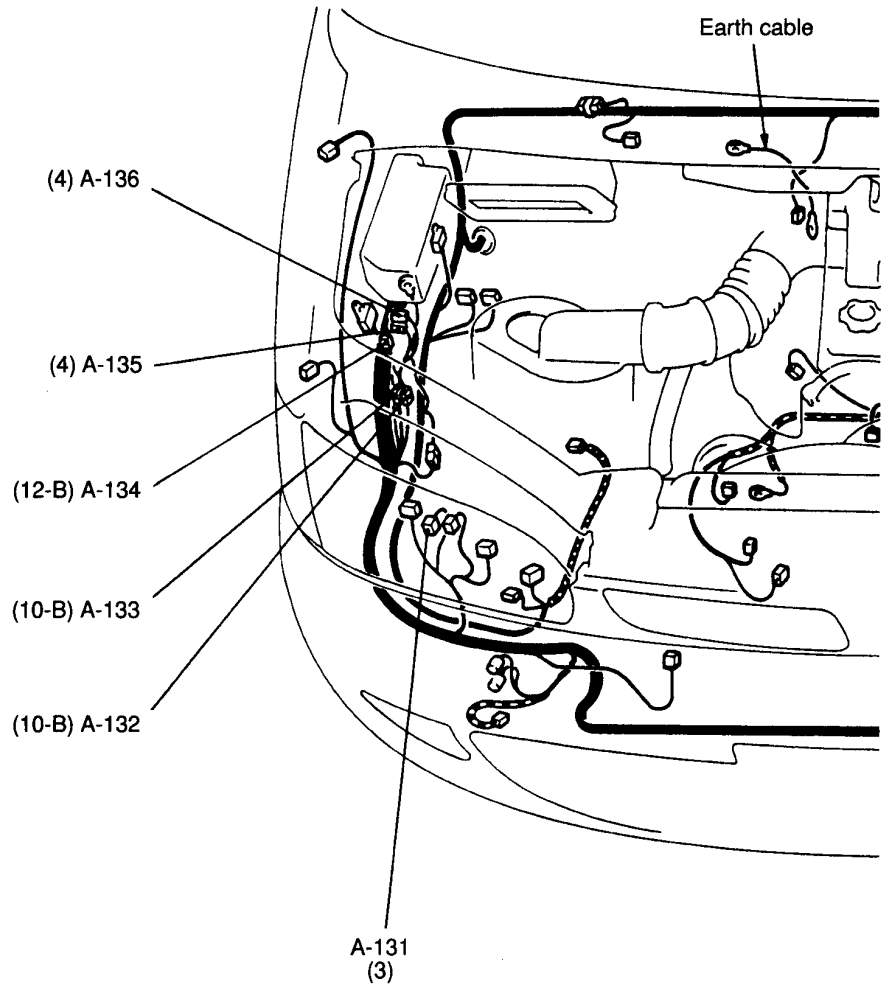
- |      |   |       |                                     |
|------|---|-------|-------------------------------------|
| A-76 | -   | A-88  | -                                   |
| A-77 | -   | A-89  | Distributor assembly                |
| A-78 | Control wiring harness and battery cable assembly combination | A-90  | -                                   |
| A-79 | Control wiring harness and battery cable assembly combination | A-91  | -                                   |
| A-80 | -   | A-92  | -                                   |
| A-81 | -   | A-93  | -                                   |
| A-82 | -   | A-94  | Engine oil level sensor             |
| A-83 | Engine coolant temperature switch (for dual A/C control)      | A-95  | Oil pressure switch                 |
| A-84 | Engine coolant temperature switch (for A/C control)           | A-96  | Alternator                          |
| A-85 | Engine coolant temperature sensor (for engine control)        | A-97  | Alternator                          |
| A-86 | Capacitor   | A-98  | Oxygen sensor                       |
| A-87 | Ignition coil   | A-99  | -                                   |
|      |   | A-100 | ABS hydraulic unit                  |
|      |   | A-101 | ABS hydraulic unit                  |
|      |   | A-102 | Front wheel speed sensor (RH) <ABS> |
|      |   | A-103 | ABS motor relay                     |
|      |   | A-104 | ABS valve relay                     |



Electronically-controlled carburettor

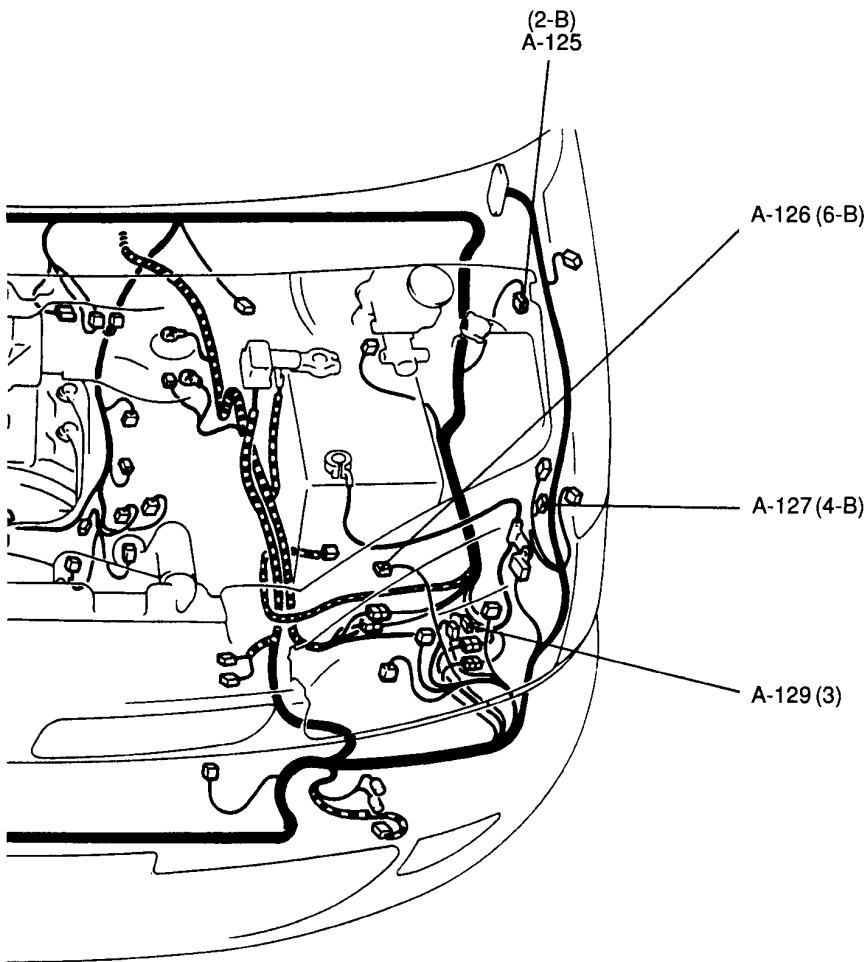
Connector symbol

**A** -105 thru -136



- A-105 -
- A-106 -
- A-107 -
- A-108 -
- A-109 -
- A-110 -
- A-111 -
- A-112 -
- A-113 -
- A-114 -
- A-115 -

- A-116 -
- A-117 -
- A-118 -
- A-119 -
- A-120 -
- A-121 -
- A-122 -
- A-123 -
- A-124 -
- A-125 Air solenoid valve
- A-126 Headlamp washer relay



C36W0107

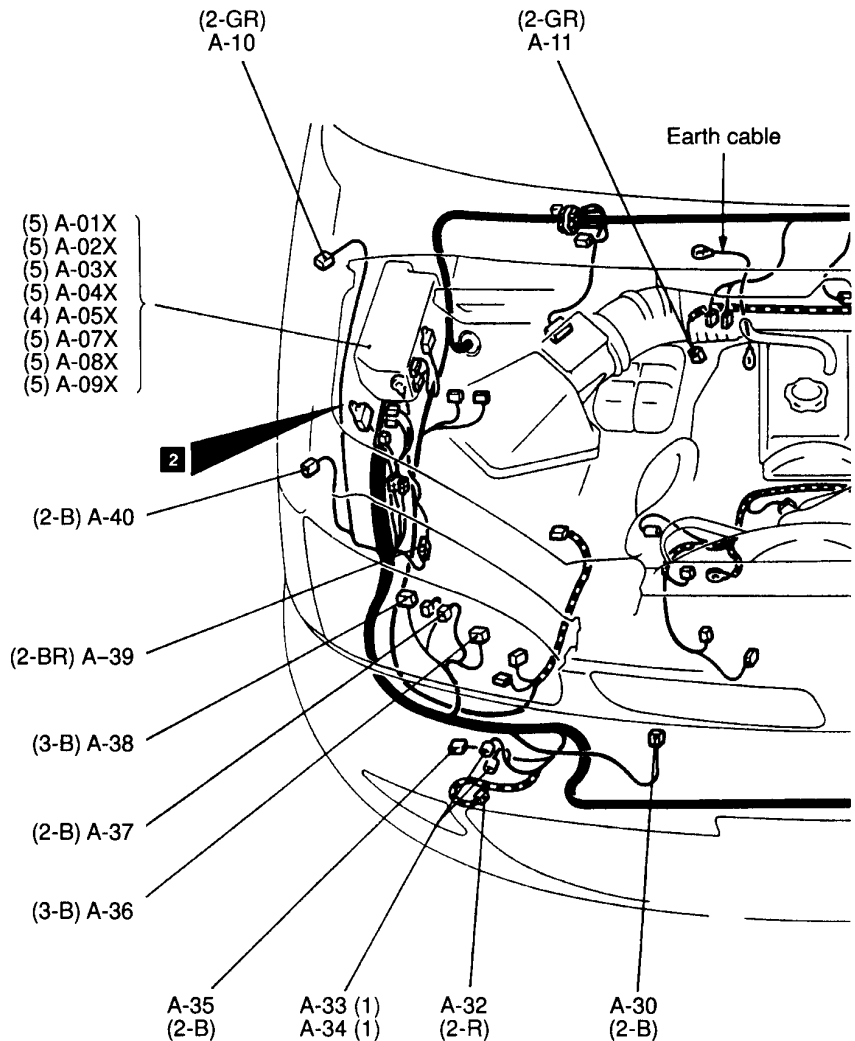
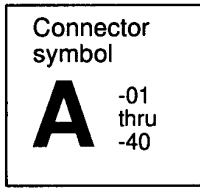
- A-127 Headlamp washer motor / Headlamp washer fluid level sensor
- A-128 -
- A-129 Headlamp leveling unit (LH)
- A-130 -
- A-131 Headlamp leveling unit (RH)
- A-132 DRL wiring harness and front wiring harness combination

- A-133 DRL wiring harness and front wiring harness combination
- A-134 DRL-ECU
- A-135 DRL relay 2
- A-136 DRL relay 1

ENGINE COMPARTMENT

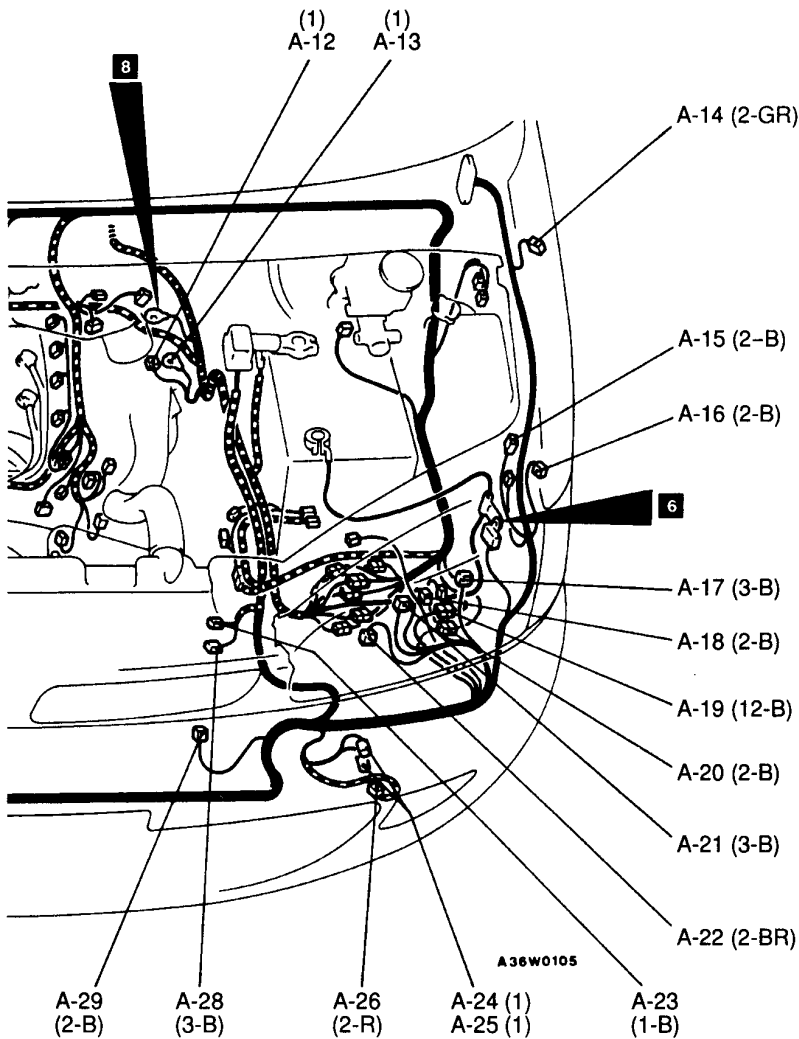
120002475

MPI <L.H. drive vehicles>



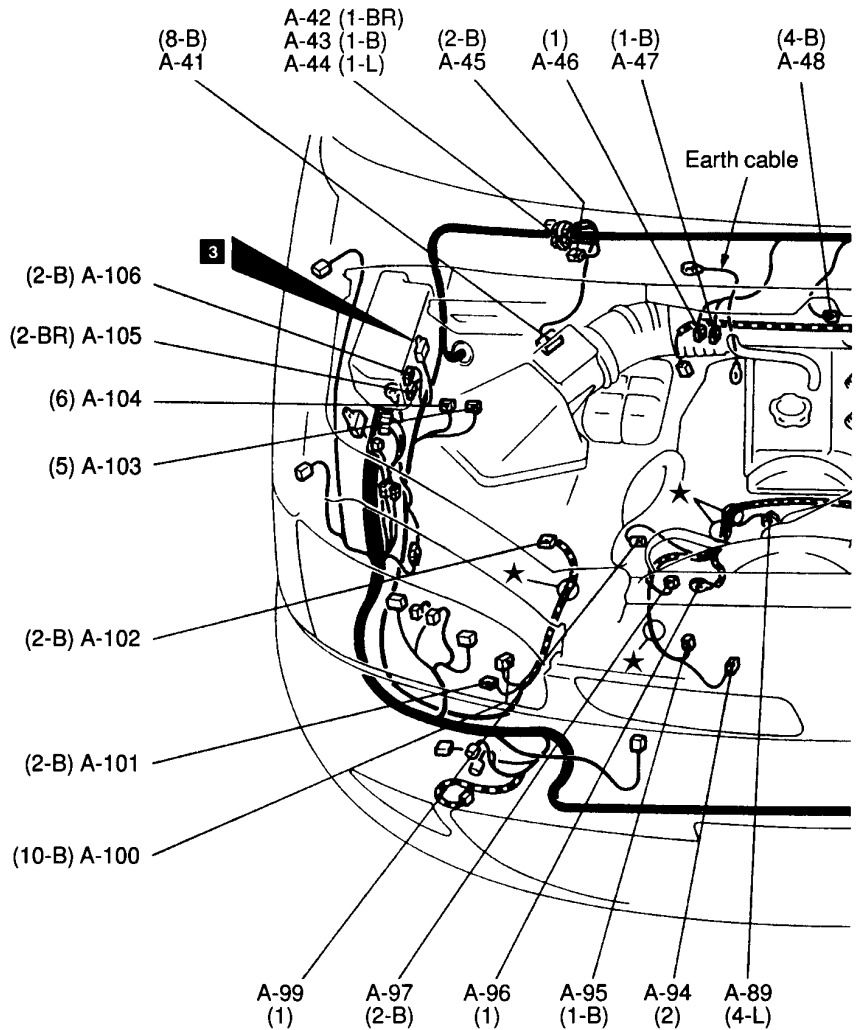
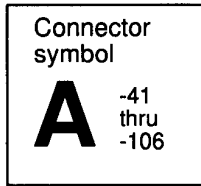
- A-01X Horn relay <SRS>
- A-02X A/C compressor relay
- A-03X Front condenser fan motor relay
- A-04X Side condenser fan motor relay <Dual A/C>
- A-05X Alternator relay
- A-06X -
- A-07X Rear fog lamp relay
- A-08X Tail lamp relay
- A-09X Headlamp relay
- A-10 Side turn signal lamp (RH)
- A-11 Free-wheeling differential engage switch <4WD>
- A-12 Starter

- A-13 Starter
- A-14 Side turn signal lamp (LH)
- A-15 Windshield washer motor
- A-16 Front turn signal lamp (LH)
- A-17 Headlamp (LH)
- A-18 Position lamp (LH)
- A-19 Control wiring harness and front wiring harness combination
- A-20 Control wiring harness and front wiring harness combination
- A-21 Headlamp (LH)



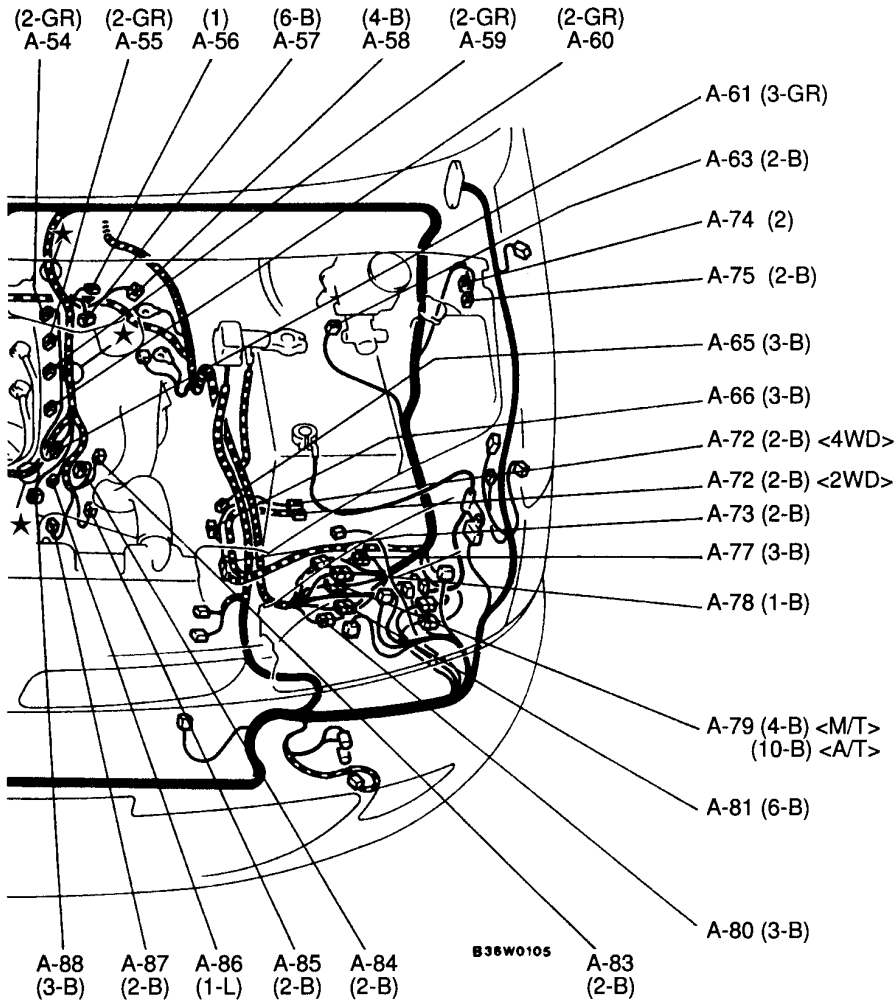
- |      |   |      |   |
|------|---|------|---|
| A-22 | Dual pressure switch <A/C>  | A-32 | Front impact sensor (RH) <SRS>                              |
| A-23 | Magnetic clutch <A/C>   | A-33 | Horn (RH)   |
| A-24 | Horn (LH)   | A-34 | Horn (RH)   |
| A-25 | Horn (LH)   | A-35 | Thermo sensor (outside) <Vehicles with multi-meter>         |
| A-26 | Front impact sensor (LH) <SRS>  | A-36 | Headlamp (RH)   |
| A-27 | -   | A-37 | Position lamp (RH)  |
| A-28 | A/C refrigerant temperature switch and A/C compressor magnetic valve <Dual A/C> | A-38 | Headlamp (RH)   |
| A-29 | Front condenser fan motor (LH) <A/C>  | A-39 | Control wiring harness and front wiring harness combination |
| A-30 | Front condenser fan motor (RH) <A/C>  | A-40 | Front turn signal lamp (RH)                                 |
| A-31 | -   |      |   |

MPI <L.H. drive vehicles>



- A-41 Air flow sensor
- A-42 Ignition timing adjustment connector
- A-43 Fuel pump check connector
- A-44 Engine speed detection connector
- A-45 Front A/C magnetic valve <Dual A/C>
- A-46 Engine coolant temperature switch <A/T>
- A-47 Engine coolant temperature gauge unit
- A-48 Windshield wiper motor
- A-49 -
- A-50 -
- A-51 -
- A-52 -
- A-53 -
- A-54 Injector No.4
- A-55 Injector No.3
- A-56 Capacitor
- A-57 Idle speed control servo
- A-58 Throttle position sensor
- A-59 Injector No.2

- A-60 Injector No.1
- A-61 Injector wiring harness and control wiring harness combination
- A-62 -
- A-63 Brake fluid level switch
- A-64 -
- A-65 No connection <4WD (ABS)>
- A-66 No connection <4WD (ABS)>
- A-67 -
- A-68 -
- A-69 -
- A-70 -
- A-71 -
- A-72 Front wheel speed sensor (LH) <ABS>
- A-73 ABS wiring harness and control wiring harness combination <4WD>
- A-74 Purge control solenoid valve
- A-75 EGR solenoid valve
- A-76 -

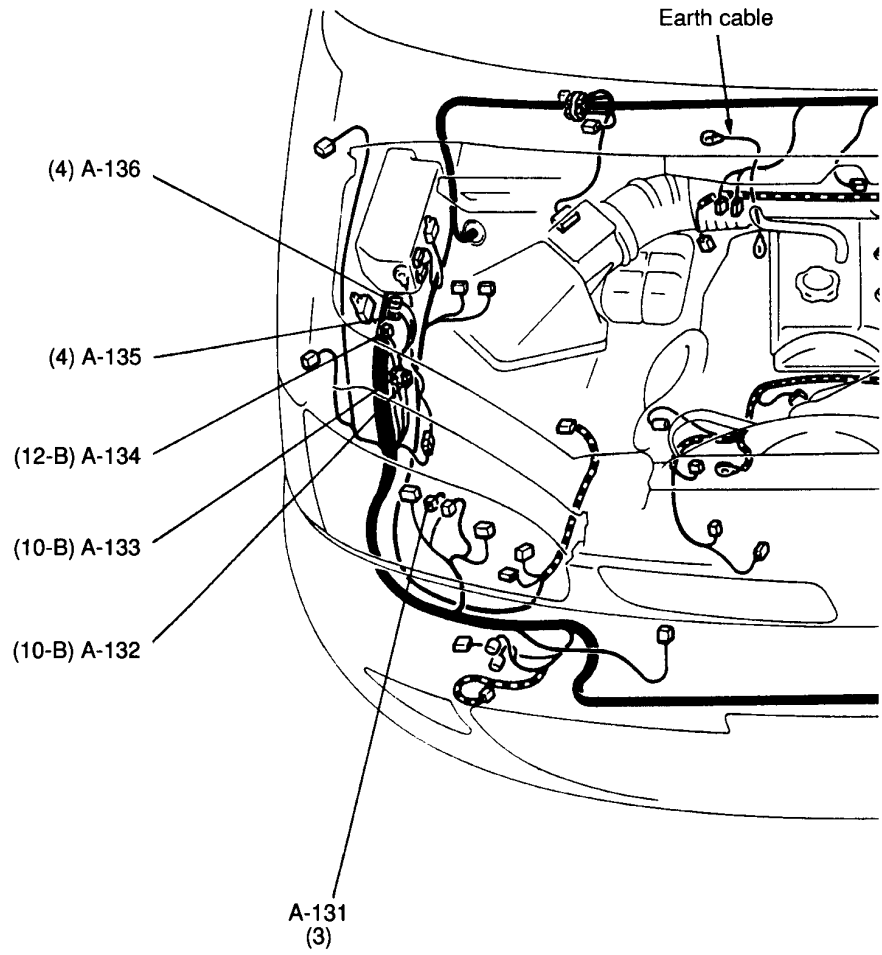


- |      |   |       |                                     |
|------|---|-------|-------------------------------------|
| A-77 | Control wiring harness and battery cable assembly combination <4WD> | A-88  | Power transistor                    |
| A-78 | Control wiring harness and battery cable assembly combination       | A-89  | Distributor assembly                |
| A-79 | Control wiring harness and battery cable assembly combination       | A-90  | -                                   |
| A-80 | Control wiring harness and battery cable assembly combination <A/T> | A-91  | -                                   |
| A-81 | Control wiring harness and battery cable assembly combination       | A-92  | -                                   |
| A-82 | -   | A-93  | -                                   |
| A-83 | Engine coolant temperature switch (for dual A/C control)            | A-94  | Engine oil level sensor             |
| A-84 | Engine coolant temperature switch (for A/C control)                 | A-95  | Oil pressure switch                 |
| A-85 | Engine coolant temperature sensor (for engine control)              | A-96  | Alternator                          |
| A-86 | Capacitor   | A-97  | Alternator                          |
| A-87 | Ignition coil   | A-98  | -                                   |
|      |   | A-99  | Power steering oil pressure switch  |
|      |   | A-100 | ABS hydraulic unit                  |
|      |   | A-101 | ABS hydraulic unit                  |
|      |   | A-102 | Front wheel speed sensor (RH) <ABS> |
|      |   | A-103 | ABS motor relay                     |
|      |   | A-104 | ABS valve relay                     |
|      |   | A-105 | 4WD solenoid valve (B)              |
|      |   | A-106 | 4WD solenoid valve (A)              |

MPI <L.H. drive vehicles>

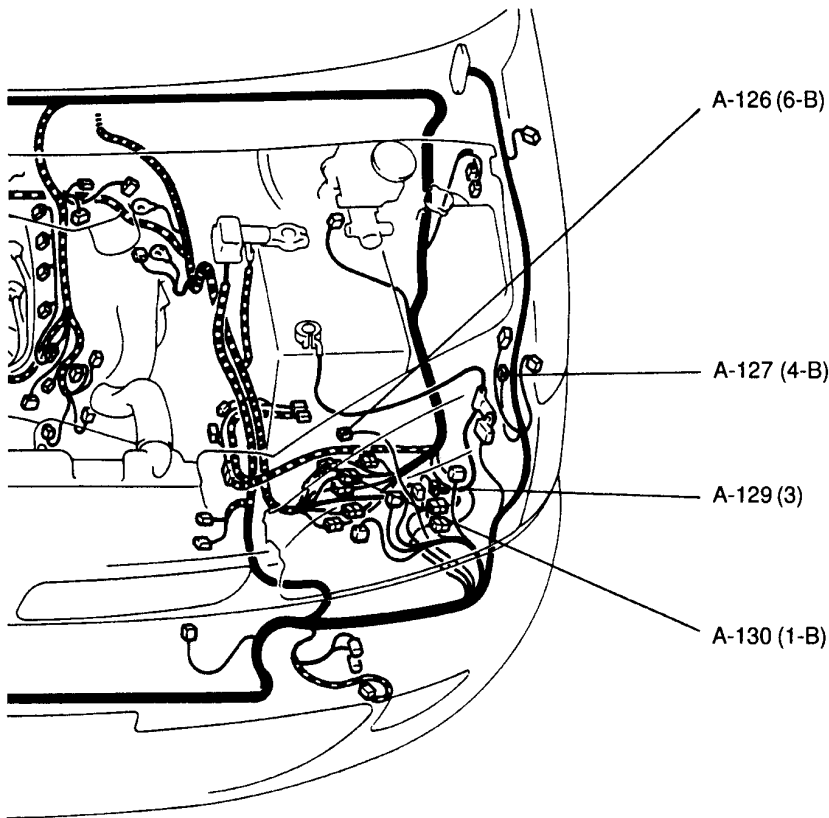
Connector symbol

**A** -107 thru -136



- A-107 -
- A-108 -
- A-109 -
- A-110 -
- A-111 -
- A-112 -
- A-113 -
- A-114 -
- A-115 -

- A-116 -
- A-117 -
- A-118 -
- A-119 -
- A-120 -
- A-121 -
- A-122 -
- A-123 -



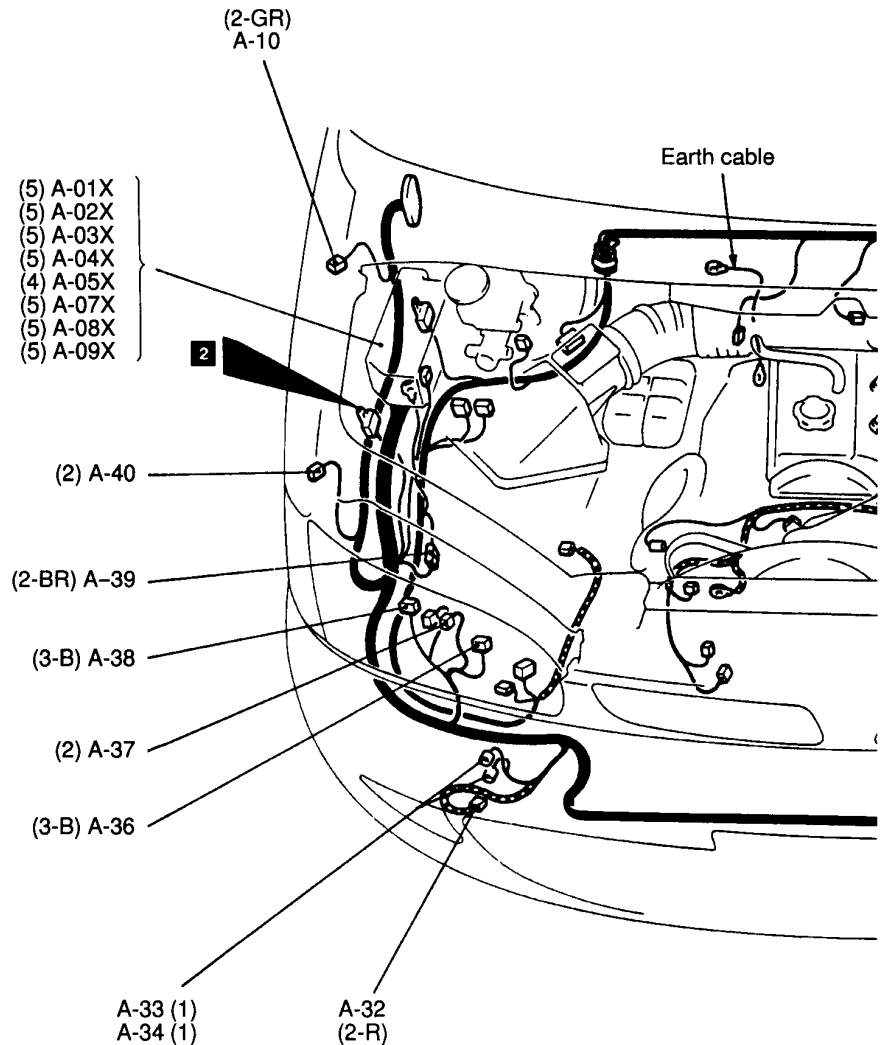
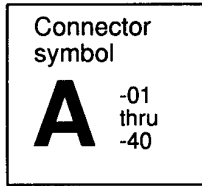
C36W0105

- |   |   |
|---|---|
| A-124 -   | A-131 Headlamp leveling unit (RH)                             |
| A-125 -   | A-132 DRL wiring harness and front wiring harness combination |
| A-126 Headlamp washer relay   | A-133 DRL wiring harness and front wiring harness combination |
| A-127 Headlamp washer motor / Headlamp washer fluid level sensor                | A-134 DRL-ECU   |
| A-128 -   | A-135 DRL relay 2   |
| A-129 Headlamp leveling unit (LH)   | A-136 DRL relay 1   |
| A-130 Control wiring harness and battery cable assembly combination <4WD (ABS)> |   |



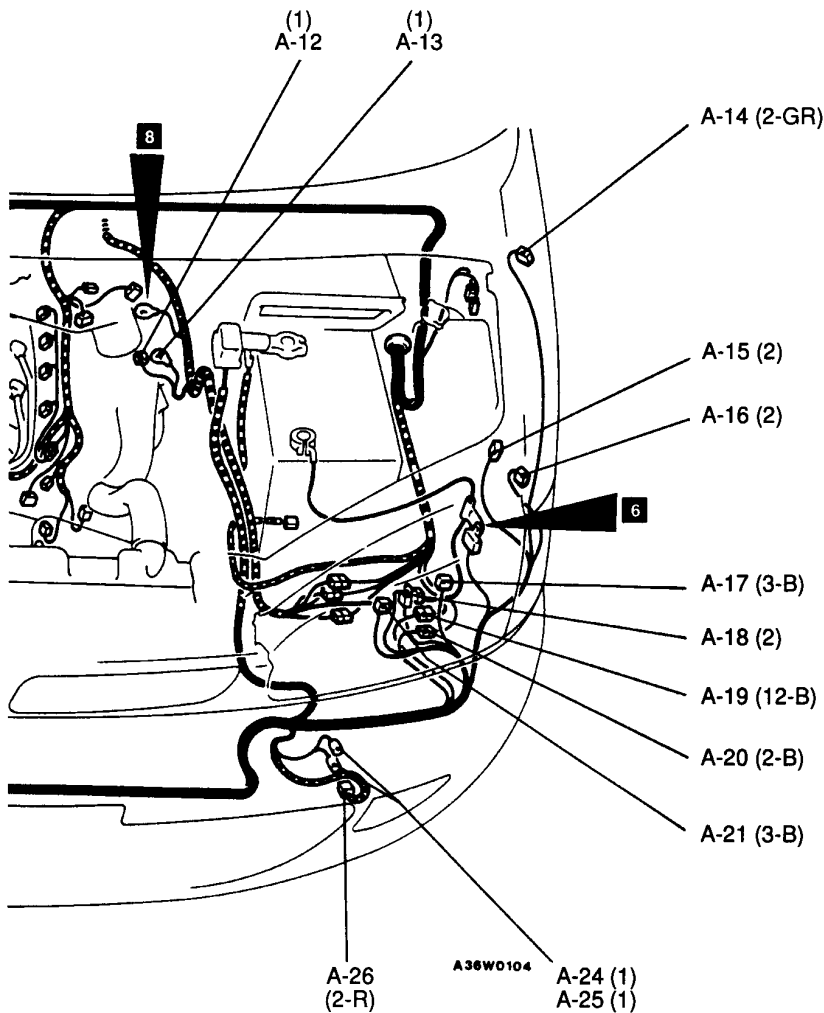
ENGINE COMPARTMENT

MPI <R.H. drive vehicles>



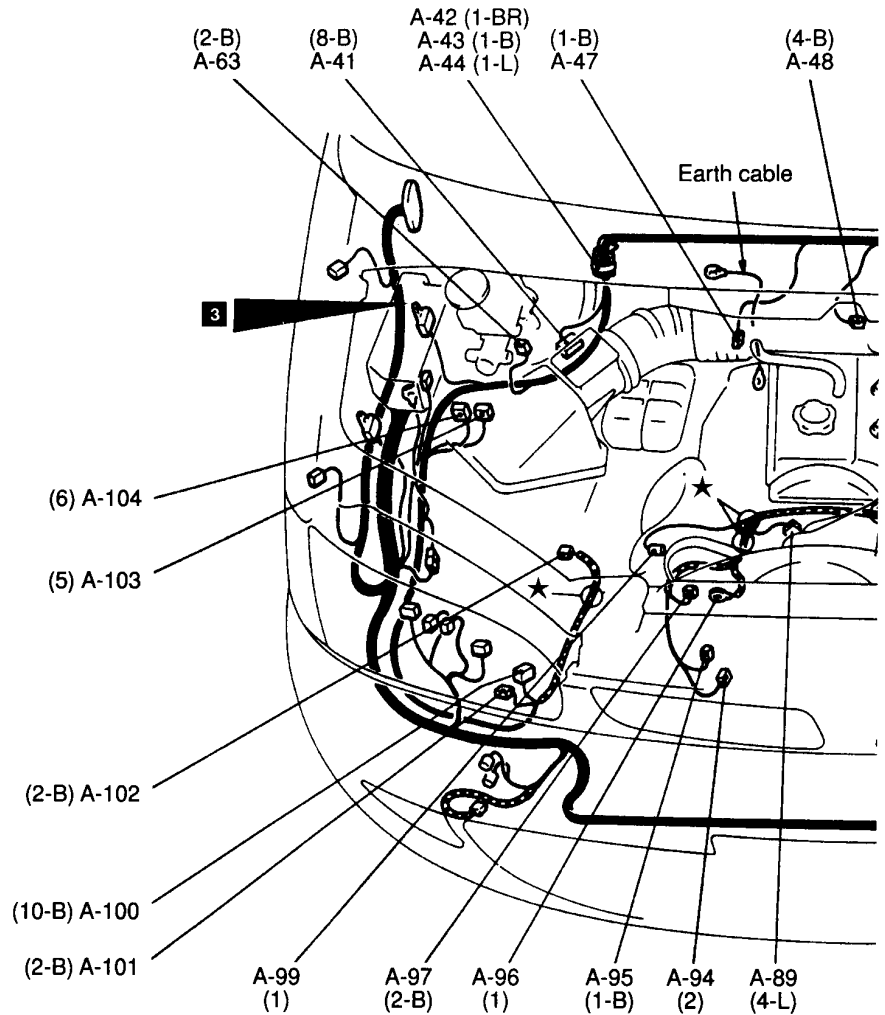
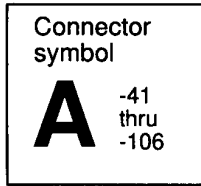
- A-01X Horn relay <SRS>
- A-02X Dim-dip lamp relay 3
- A-03X Dim-dip lamp relay 2
- A-04X Dim-dip lamp relay 1
- A-05X Alternator relay
- A-06X -
- A-07X Rear fog lamp relay
- A-08X Tail lamp relay
- A-09X Headlamp relay
- A-10 Side turn signal lamp (RH)
- A-11 -
- A-12 Starter

- A-13 Starter
- A-14 Side turn signal lamp (LH)
- A-15 Windshield washer motor
- A-16 Front turn signal lamp (LH)
- A-17 Headlamp (LH)
- A-18 Position lamp (LH)
- A-19 Control wiring harness and front wiring harness combination
- A-20 Control wiring harness and front wiring harness combination
- A-21 Headlamp (LH)

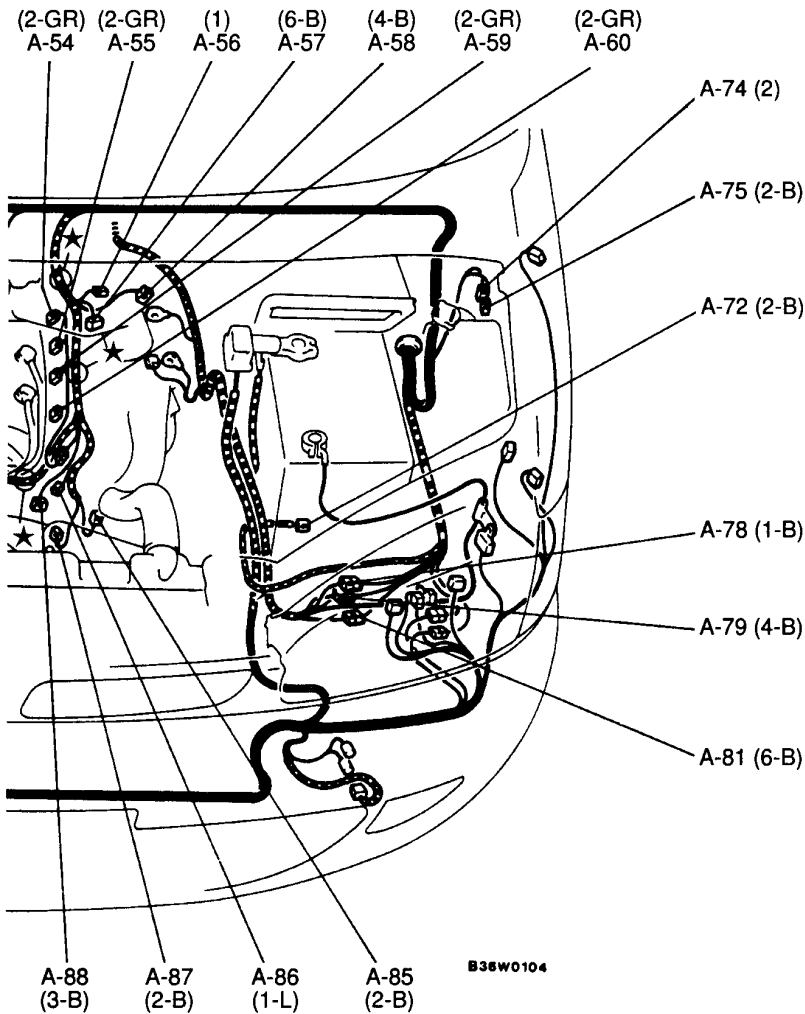


- |      |                                |      |   |
|------|--------------------------------|------|---|
| A-22 | -                              | A-32 | Front impact sensor (RH) <SRS>                              |
| A-23 | -                              | A-33 | Horn (RH)   |
| A-24 | Horn (LH)                      | A-34 | Horn (RH)   |
| A-25 | Horn (LH)                      | A-35 | -   |
| A-26 | Front impact sensor (LH) <SRS> | A-36 | Headlamp (RH)   |
| A-27 | -                              | A-37 | Position lamp (RH)  |
| A-28 | -                              | A-38 | Headlamp (RH)   |
| A-29 | -                              | A-39 | Control wiring harness and front wiring harness combination |
| A-30 | -                              | A-40 | Front turn signal lamp (RH)                                 |
| A-31 | -                              |      |   |

MPI <R.H. drive vehicles>



- |      |                                       |      |  |
|------|---------------------------------------|------|--|
| A-41 | Air flow sensor                       | A-59 | Injector No.2  |
| A-42 | Ignition timing adjustment connector  | A-60 | Injector No.1  |
| A-43 | Fuel pump check connector             | A-61 | Injector wiring harness and control wiring harness combination |
| A-44 | Engine speed detection connector      | A-62 | -  |
| A-45 | -                                     | A-63 | Brake fluid level switch                                       |
| A-46 | -                                     | A-64 | -  |
| A-47 | Engine coolant temperature gauge unit | A-65 | -  |
| A-48 | Windshield wiper motor                | A-66 | -  |
| A-49 | -                                     | A-67 | -  |
| A-50 | -                                     | A-68 | -  |
| A-51 | -                                     | A-69 | -  |
| A-52 | -                                     | A-70 | -  |
| A-53 | -                                     | A-71 | -  |
| A-54 | Injector No.4                         | A-72 | Front wheel speed sensor (LH) <ABS>                            |
| A-55 | Injector No.3                         | A-73 | -  |
| A-56 | Capacitor                             | A-74 | Purge control solenoid valve                                   |
| A-57 | Idle speed control servo              | A-75 | EGR solenoid valve   |
| A-58 | Throttle position sensor              |      |  |

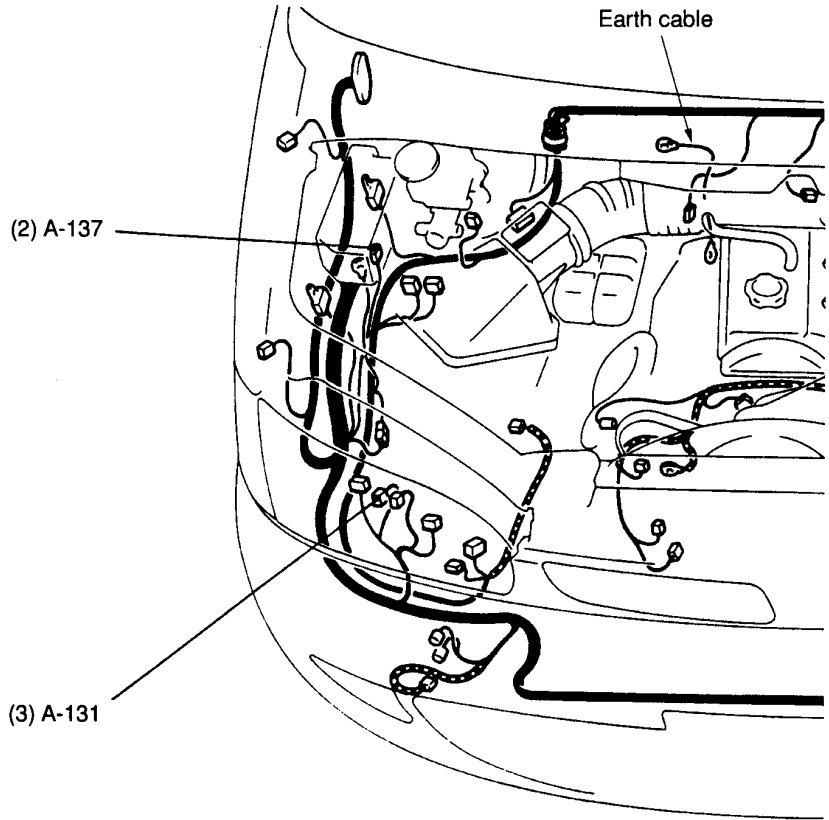


- |      |   |       |                                     |
|------|---|-------|-------------------------------------|
| A-76 | -   | A-90  | -                                   |
| A-77 | -   | A-91  | -                                   |
| A-78 | Control wiring harness and battery cable assembly combination | A-92  | -                                   |
| A-79 | Control wiring harness and battery cable assembly combination | A-93  | -                                   |
| A-80 | -   | A-94  | Engine oil level sensor             |
| A-81 | Control wiring harness and battery cable assembly combination | A-95  | Oil pressure switch                 |
| A-82 | -   | A-96  | Alternator                          |
| A-83 | -   | A-97  | Alternator                          |
| A-84 | -   | A-98  | -                                   |
| A-85 | Engine coolant temperature sensor (for engine control)        | A-99  | Power steering oil pressure switch  |
| A-86 | Capacitor   | A-100 | ABS hydraulic unit                  |
| A-87 | Ignition coil   | A-101 | ABS hydraulic unit                  |
| A-88 | Power transistor  | A-102 | Front wheel speed sensor (RH) <ABS> |
| A-89 | Distributor assembly  | A-103 | ABS motor relay                     |
|      |   | A-104 | ABS valve relay                     |
|      |   | A-105 | -                                   |
|      |   | A-106 | -                                   |

MPI <R.H. drive vehicles>

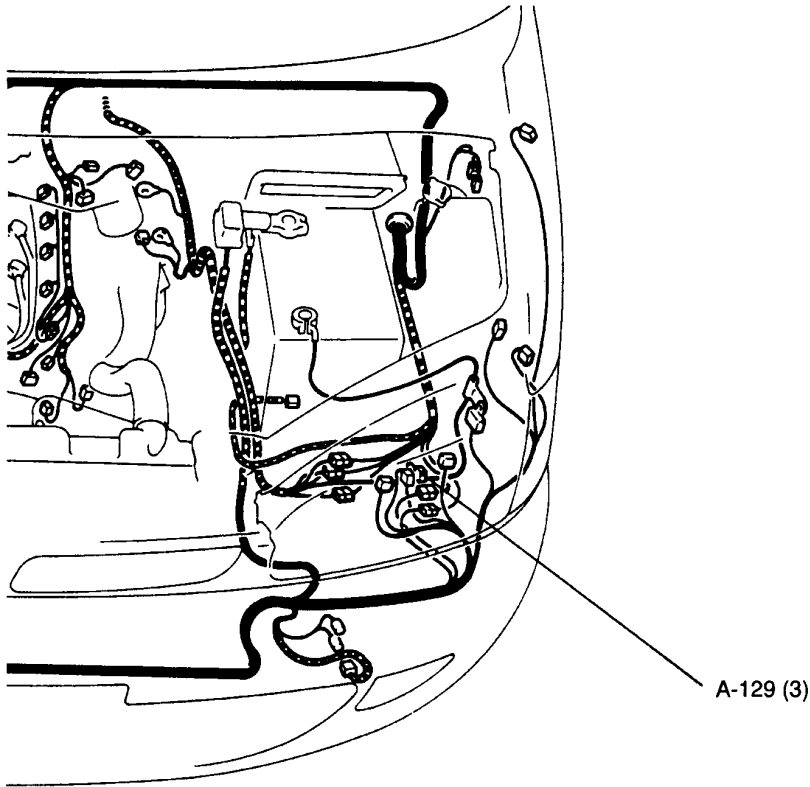
Connector symbol

**A** -107 thru -137



- A-107 -
- A-108 -
- A-109 -
- A-110 -
- A-111 -
- A-112 -
- A-113 -
- A-114 -

- A-115 -
- A-116 -
- A-117 -
- A-118 -
- A-119 -
- A-120 -
- A-121 -
- A-122 -



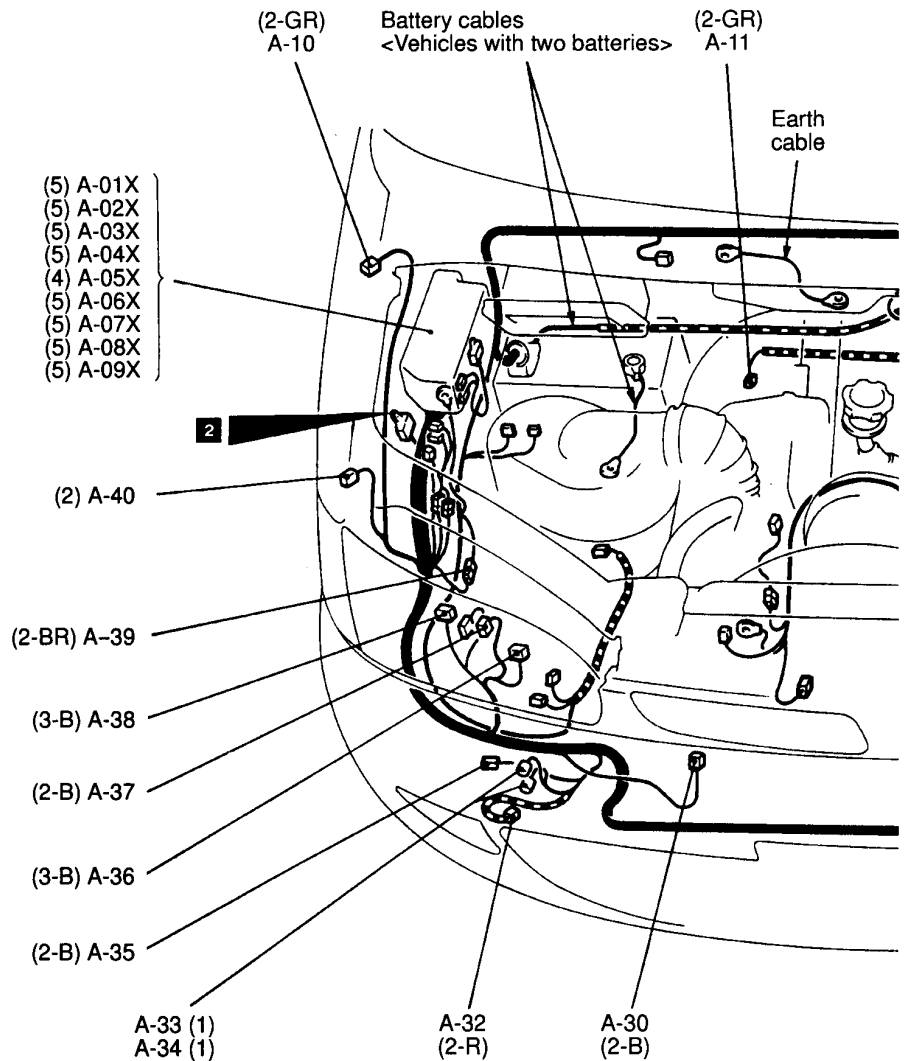
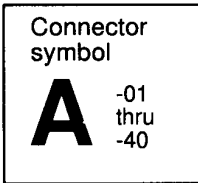
C36W0104

- |                                   |                                   |
|-----------------------------------|-----------------------------------|
| A-123 -                           | A-131 Headlamp leveling unit (RH) |
| A-124 -                           | A-132 -                           |
| A-125 -                           | A-133 -                           |
| A-126 -                           | A-134 -                           |
| A-127 -                           | A-135 -                           |
| A-128 -                           | A-136 -                           |
| A-129 Headlamp leveling unit (LH) | A-137 Resistor                    |
| A-130 -                           |                                   |

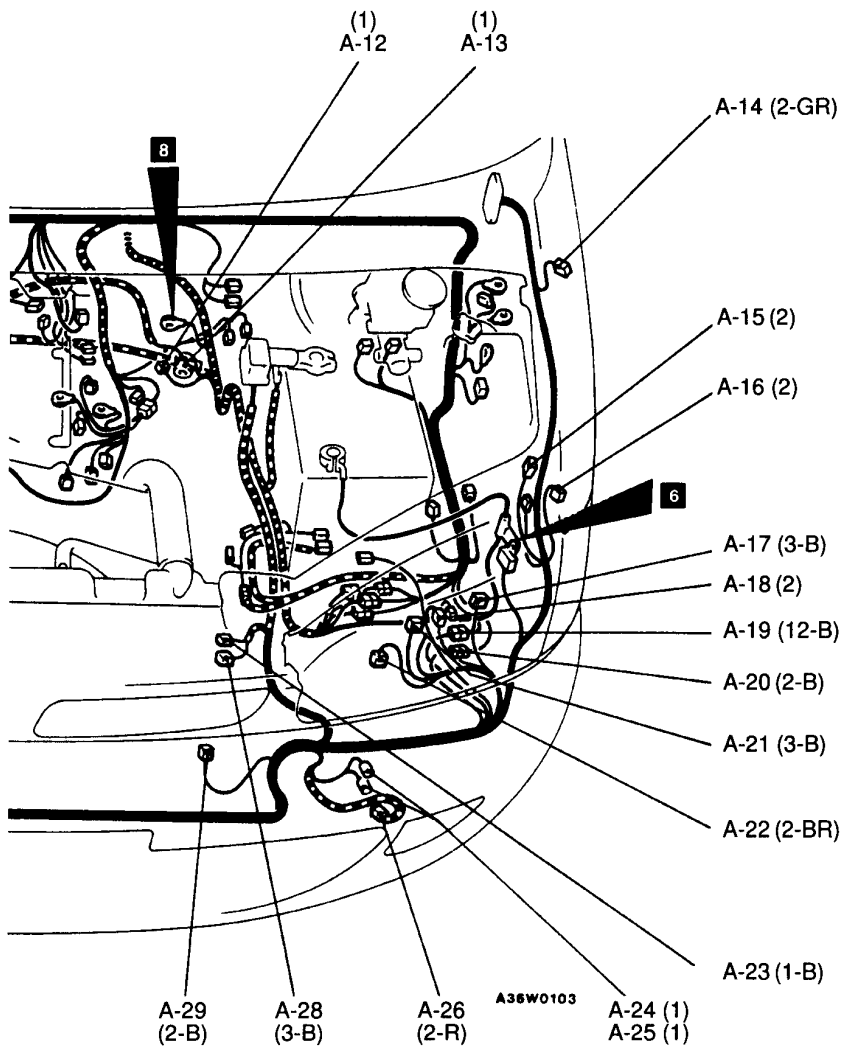
ENGINE COMPARTMENT

120002477

Diesel <L.H. drive vehicles>



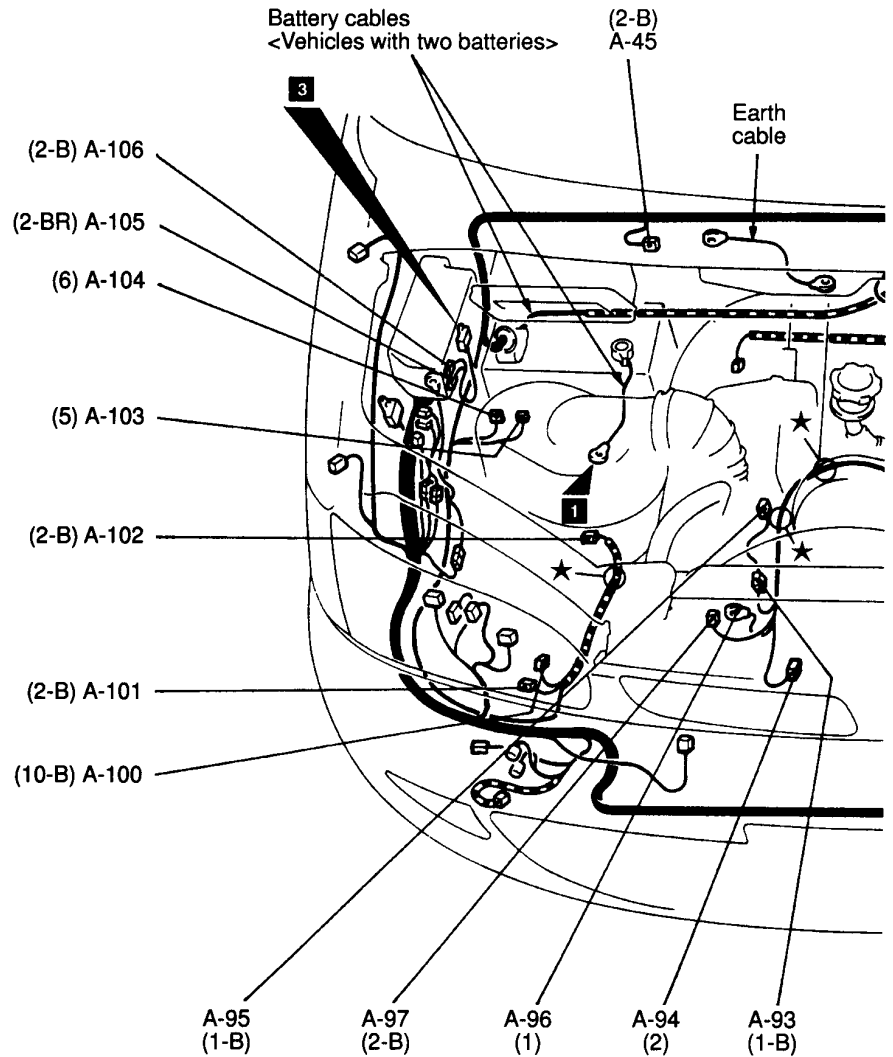
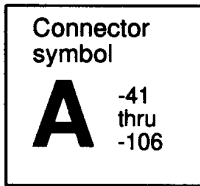
- |       |   |      |   |
|-------|---|------|---|
| A-01X | Horn relay <SRS>  | A-11 | Free-wheeling differential engage switch <4WD>              |
| A-02X | A/C compressor relay  | A-12 | Starter   |
| A-03X | Front condenser fan motor relay   | A-13 | Starter   |
| A-04X | Front condenser fan motor relay <Single A/C><br>Side condenser fan motor relay <Dual A/C> | A-14 | Side turn signal lamp (LH)                                  |
| A-05X | Alternator relay  | A-15 | Windshield washer motor                                     |
| A-06X | Intercooler fan motor relay <Vehicles with inter-cooler>                                  | A-16 | Front turn signal lamp (LH)                                 |
| A-07X | Rear fog lamp relay   | A-17 | Headlamp (LH)   |
| A-08X | Tail lamp relay   | A-18 | Position lamp (LH)  |
| A-09X | Headlamp relay  | A-19 | Control wiring harness and front wiring harness combination |
| A-10  | Side turn signal lamp (RH)  | A-20 | Control wiring harness and front wiring harness combination |



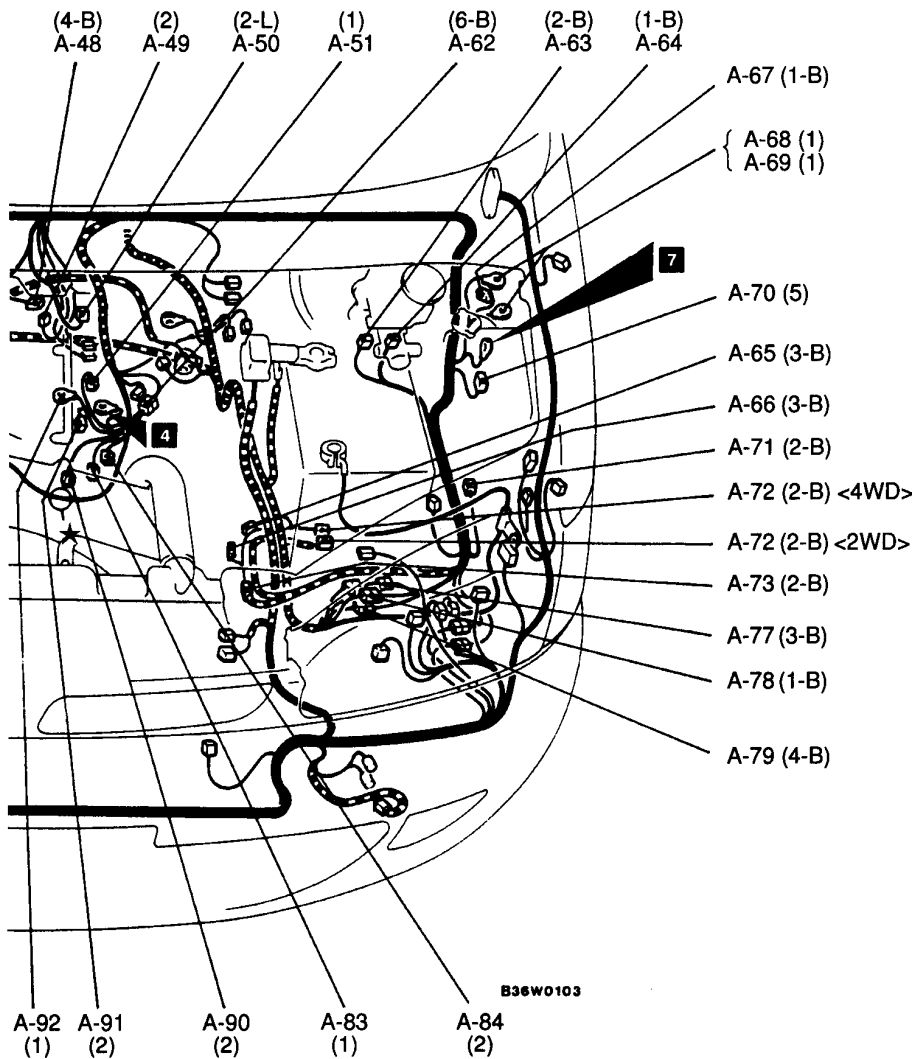
- |      |   |      |   |
|------|---|------|---|
| A-21 | Headlamp (LH)   | A-32 | Front impact sensor (RH) <SRS>                              |
| A-22 | Dual pressure switch <A/C>  | A-33 | Horn (RH)   |
| A-23 | Magnetic clutch <A/C>   | A-34 | Horn (RH)   |
| A-24 | Horn (LH)   | A-35 | Thermo sensor (outside) <Vehicles with multi-meter>         |
| A-25 | Horn (LH)   | A-36 | Headlamp (RH)   |
| A-26 | Front impact sensor (LH) <SRS>  | A-37 | Position lamp (RH)  |
| A-27 | -   | A-38 | Headlamp (RH)   |
| A-28 | A/C refrigerant temperature switch and A/C compressor magnetic valve <Dual A/C> | A-39 | Control wiring harness and front wiring harness combination |
| A-29 | Front condenser fan motor (LH) <A/C>  | A-40 | Front turn signal lamp (RH)                                 |
| A-30 | Front condenser fan motor (RH) <A/C>  |      |   |
| A-31 | -   |      |   |



Diesel <L.H. drive vehicles>

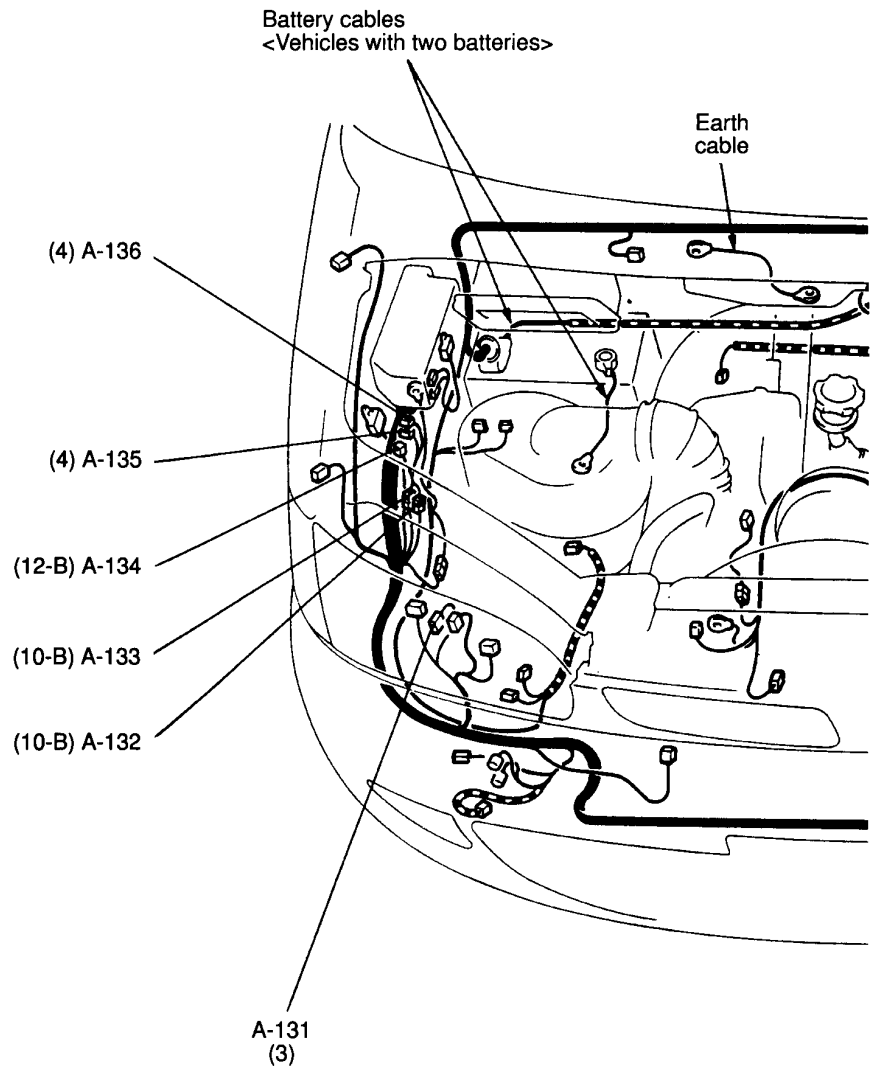
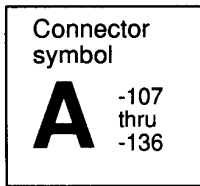


- |  |  |
|--|--|
| A-41 -                                   | A-61 -   |
| A-42 -                                   | A-62 Fuel injection pump wiring harness and control wiring harness combination |
| A-43 -                                   | A-63 Brake fluid level switch  |
| A-44 -                                   | A-64 Vacuum switch   |
| A-45 Front A/C magnetic valve <Dual A/C> | A-65 No connection <4WD (ABS)>   |
| A-46 -                                   | A-66 No connection <4WD (ABS)>   |
| A-47 -                                   | A-67 Glow plug relay   |
| A-48 Windshield wiper motor              | A-68 Glow plug relay   |
| A-49 Idle-up solenoid valve <ABS>        | A-69 Glow plug relay   |
| A-50 Idle-up solenoid valve <A/C>        | A-70 Starter relay   |
| A-51 Fuel cut solenoid valve             | A-71 Water level switch  |
| A-52 -                                   | A-72 Front wheel speed sensor (LH) <ABS>                                       |
| A-53 -                                   | A-73 ABS wiring harness and control wiring harness combination <4WD>           |
| A-54 -                                   | A-74 -   |
| A-55 -                                   | A-75 -   |
| A-56 -                                   | A-76 -   |
| A-57 -                                   | A-77 Control wiring harness and battery cable assembly combination <4WD>       |
| A-58 -                                   |  |
| A-59 -                                   |  |
| A-60 -                                   |  |



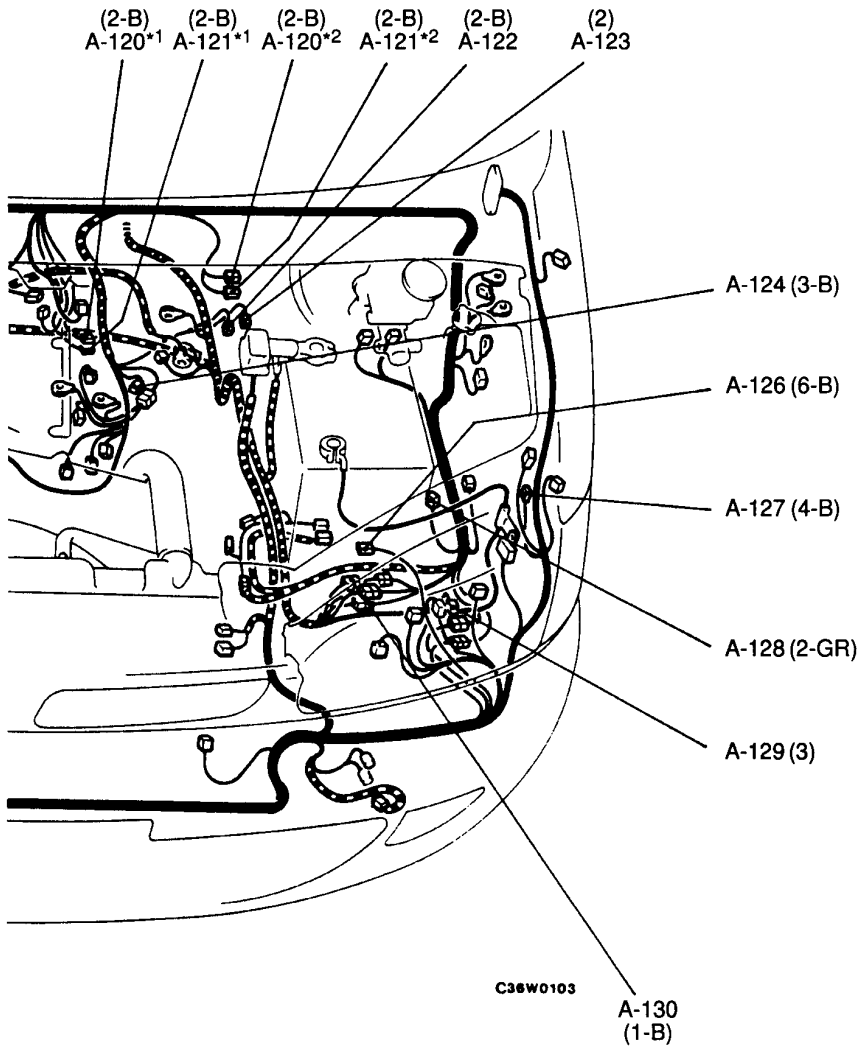
- |      |   |       |  |
|------|---|-------|--|
| A-78 | Control wiring harness and battery cable assembly combination | A-91  | Revolution pick-up sensor  |
| A-79 | Control wiring harness and battery cable assembly combination | A-92  | Glow plug  |
| A-80 | -   | A-93  | Oil pressure wiring harness and control wiring harness combination |
| A-81 | -   | A-94  | Engine oil level sensor  |
| A-82 | -   | A-95  | Oil pressure switch  |
| A-83 | Engine coolant temperature switch (for A/C control)           | A-96  | Alternator   |
| A-84 | Engine coolant temperature switch (for A/C control)           | A-97  | Alternator   |
| A-85 | -   | A-98  | -  |
| A-86 | -   | A-99  | -  |
| A-87 | -   | A-100 | ABS hydraulic unit   |
| A-88 | -   | A-101 | ABS hydraulic unit   |
| A-89 | -   | A-102 | Front wheel speed sensor (RH) <ABS>                                |
| A-90 | Engine coolant temperature sensor and gauge unit              | A-103 | ABS motor relay  |
|      |   | A-104 | ABS valve relay  |
|      |   | A-105 | 4WD solenoid valve (B)   |
|      |   | A-106 | 4WD solenoid valve (A)   |

Diesel <L.H. drive vehicles>



- A-107 -
- A-108 -
- A-109 -
- A-110 -
- A-111 -
- A-112 -
- A-113 -
- A-114 -
- A-115 -
- A-116 -

- A-117 -
- A-118 -
- A-119 -
- A-120 EGR solenoid valve 1
- A-121 EGR solenoid valve 2
- A-122 Intercooler fan motor <Vehicles with intercooler>
- A-123 Intake air temperature switch <Vehicles with intercooler>
- A-124 Lever (throttle) position sensor



- A-125 -
- A-126 Headlamp washer relay
- A-127 Headlamp washer motor / Headlamp washer fluid level sensor
- A-128 Fuel line heater
- A-129 Headlamp leveling unit (LH)
- A-130 Control wiring harness and battery cable assembly combination <4WD (ABS)>
- A-131 Headlamp leveling unit (RH)
- A-132 DRL wiring harness and front wiring harness combination

- A-133 DRL wiring harness and front wiring harness combination
- A-134 DRL-ECU
- A-135 DRL relay 2
- A-136 DRL relay 1

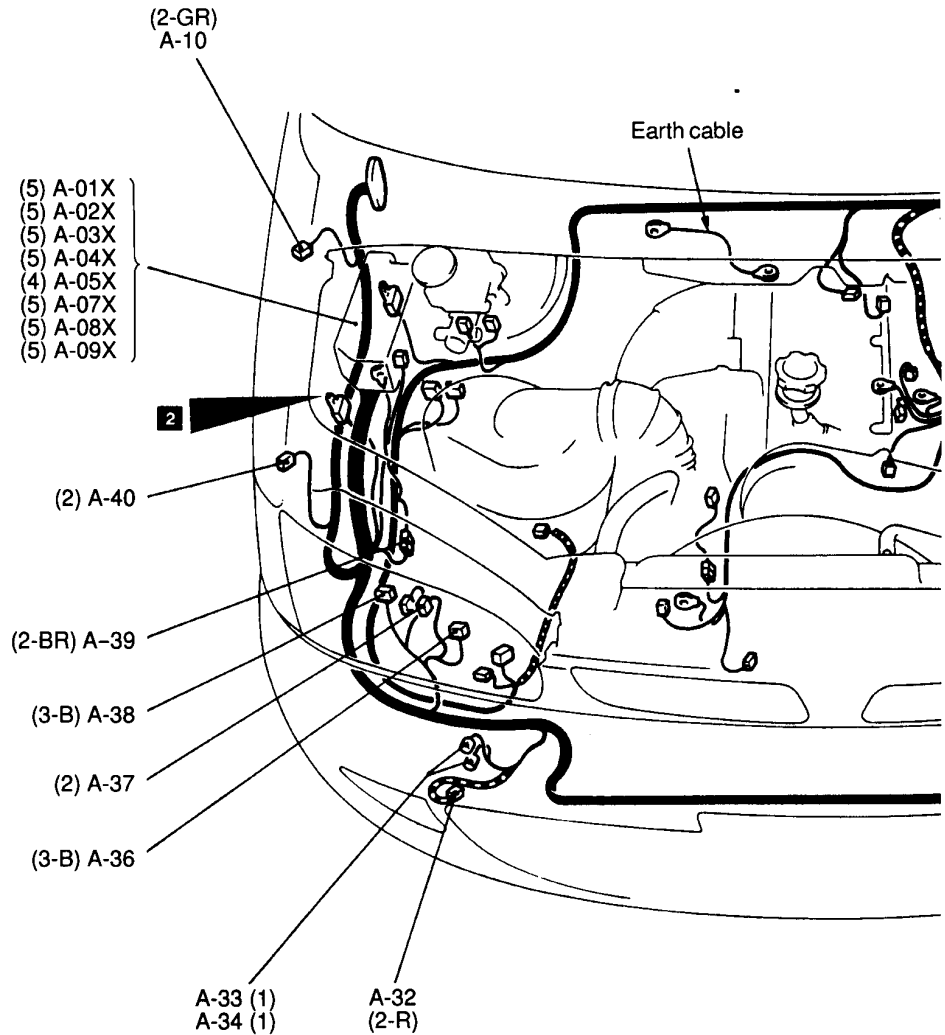
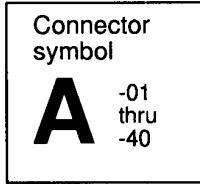
Remarks

- \*1: Vehicles with intercooler
- \*2: Vehicles without intercooler

ENGINE COMPARTMENT

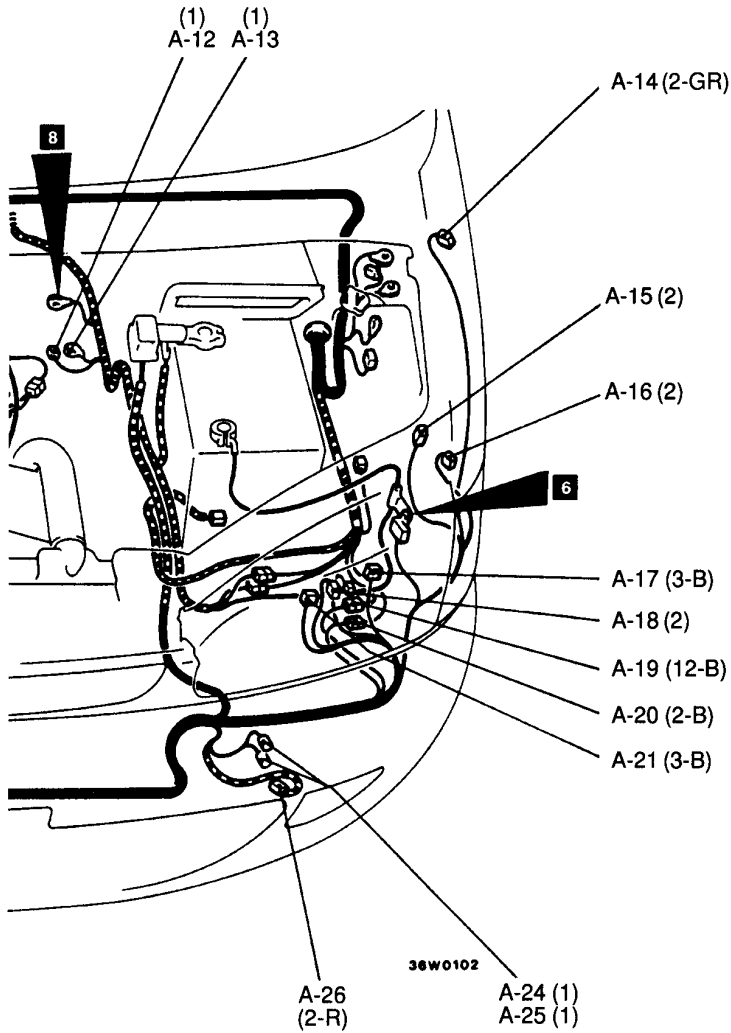
120002478

Diesel <R.H. drive vehicles>

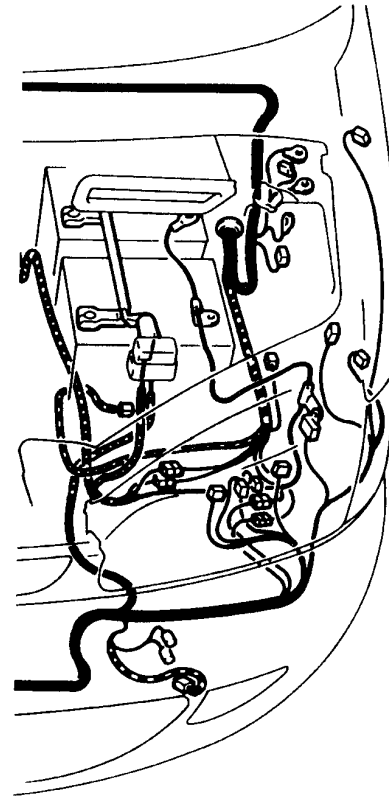


- A-01X Horn relay <SRS>
- A-02X Dim-dip lamp relay 3
- A-03X Dim-dip lamp relay 2
- A-04X Dim-dip lamp relay 1
- A-05X Alternator relay
- A-06X -
- A-07X Rear fog lamp relay
- A-08X Tail lamp relay
- A-09X Headlamp relay
- A-10 Side turn signal lamp (RH)
- A-11 -

- A-12 Starter
- A-13 Starter
- A-14 Side turn signal lamp (LH)
- A-15 Windshield washer motor
- A-16 Front turn signal lamp (LH)
- A-17 Headlamp (LH)
- A-18 Position lamp (LH)
- A-19 Control wiring harness and front wiring harness combination
- A-20 Control wiring harness and front wiring harness combination



<Vehicles with two batteries>



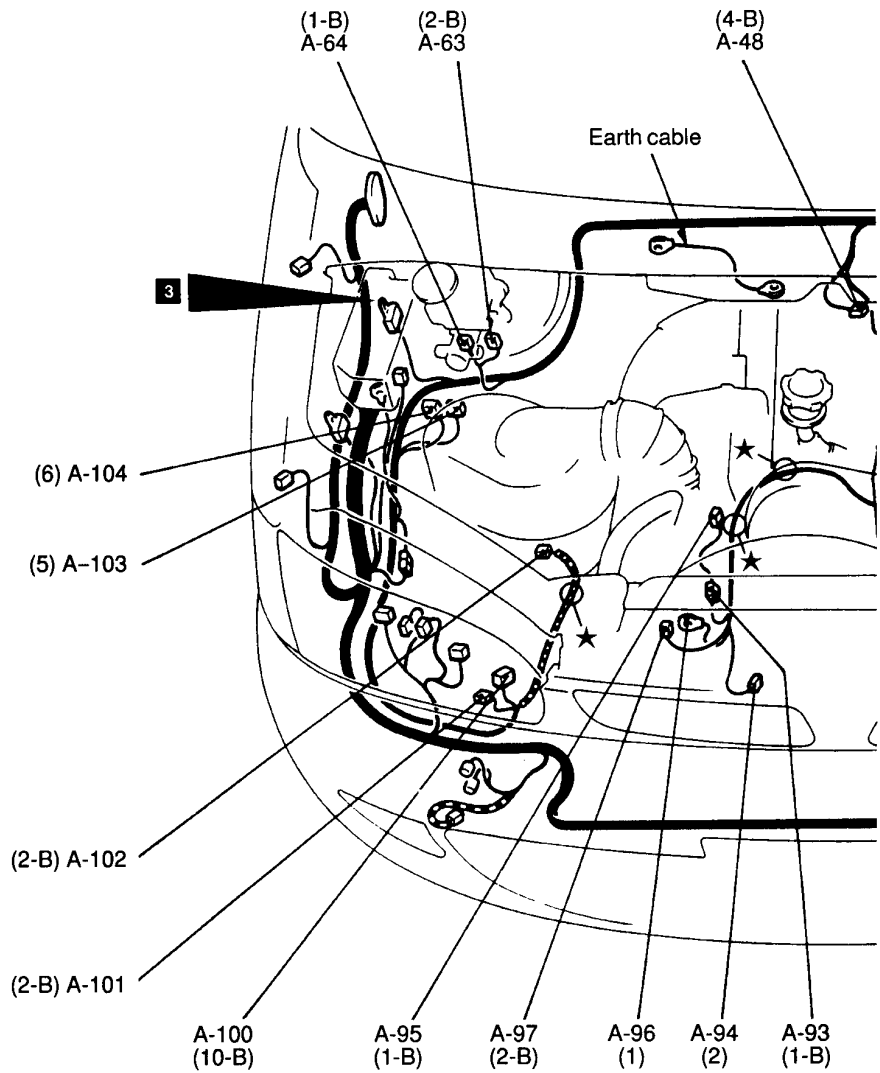
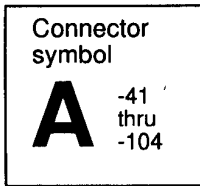
36W0101

00003209

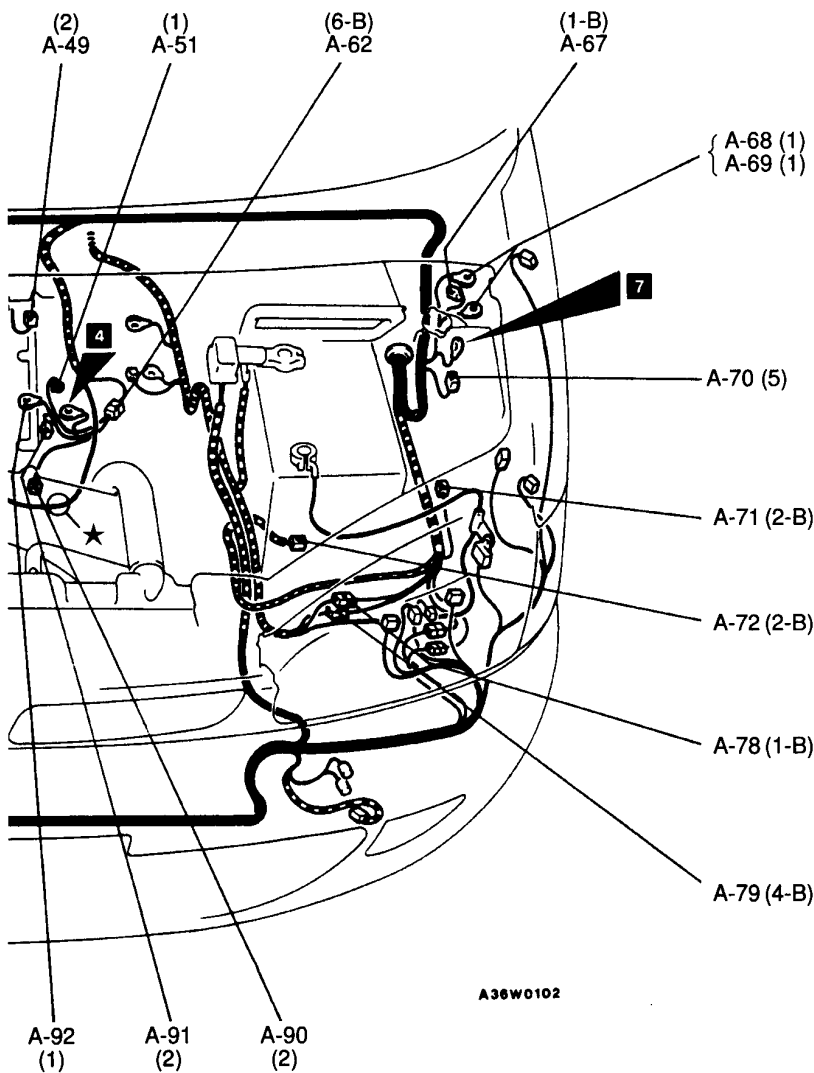
- A-21 Headlamp (LH)
- A-22 -
- A-23 -
- A-24 Horn (LH)
- A-25 Horn (LH)
- A-26 -
- A-27 -
- A-28 -
- A-29 -
- A-30 -
- A-31 -

- A-32 -
- A-33 Horn (RH)
- A-34 Horn (RH)
- A-35 -
- A-36 Headlamp (RH)
- A-37 Position lamp (RH)
- A-38 Headlamp (RH)
- A-39 Control wiring harness and front wiring harness combination
- A-40 Front turn signal lamp (RH)

Diesel <R.H. drive vehicles>



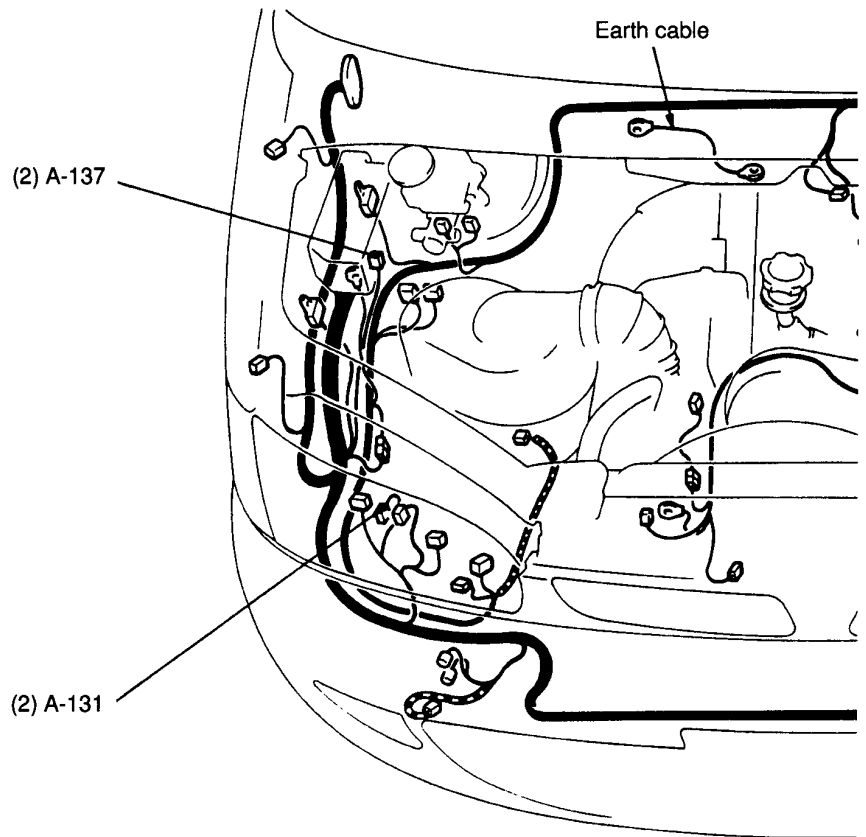
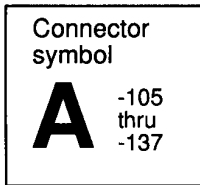
- |                                   |  |
|-----------------------------------|--|
| A-41 -                            | A-59 -   |
| A-42 -                            | A-60 -   |
| A-43 -                            | A-61 -   |
| A-44 -                            | A-62 Fuel injection pump wiring harness and control wiring harness combination |
| A-45 -                            | A-63 Brake fluid level switch  |
| A-46 -                            | A-64 Vacuum switch   |
| A-47 -                            | A-65 -   |
| A-48 Windshield wiper motor       | A-66 -   |
| A-49 Idle-up solenoid valve <ABS> | A-67 Glow plug relay   |
| A-50 -                            | A-68 Glow plug relay   |
| A-51 Fuel cut solenoid valve      | A-69 Glow plug relay   |
| A-52 -                            | A-70 Starter relay   |
| A-53 -                            | A-71 Water level switch  |
| A-54 -                            | A-72 Front wheel speed sensor (LH) <ABS>                                       |
| A-55 -                            | A-73 -   |
| A-56 -                            | A-74 -   |
| A-57 -                            | A-75 -   |
| A-58 -                            |  |



- |      |   |       |  |
|------|---|-------|--|
| A-76 | -   | A-91  | Revolution pick-up sensor  |
| A-77 | -   | A-92  | Glow plug  |
| A-78 | Control wiring harness and battery cable assembly combination | A-93  | Oil pressure wiring harness and control wiring harness combination |
| A-79 | Control wiring harness and battery cable assembly combination | A-94  | Engine oil level sensor  |
| A-80 | -   | A-95  | Oil pressure switch  |
| A-81 | -   | A-96  | Alternator   |
| A-82 | -   | A-97  | Alternator   |
| A-83 | -   | A-98  | -  |
| A-84 | -   | A-99  | -  |
| A-85 | -   | A-100 | ABS hydraulic unit   |
| A-86 | -   | A-101 | ABS hydraulic unit   |
| A-87 | -   | A-102 | Front wheel speed sensor (RH) <ABS>                                |
| A-88 | -   | A-103 | ABS motor relay  |
| A-89 | -   | A-104 | ABS valve relay  |
| A-90 | Engine coolant temperature sensor and gauge unit              |       |  |

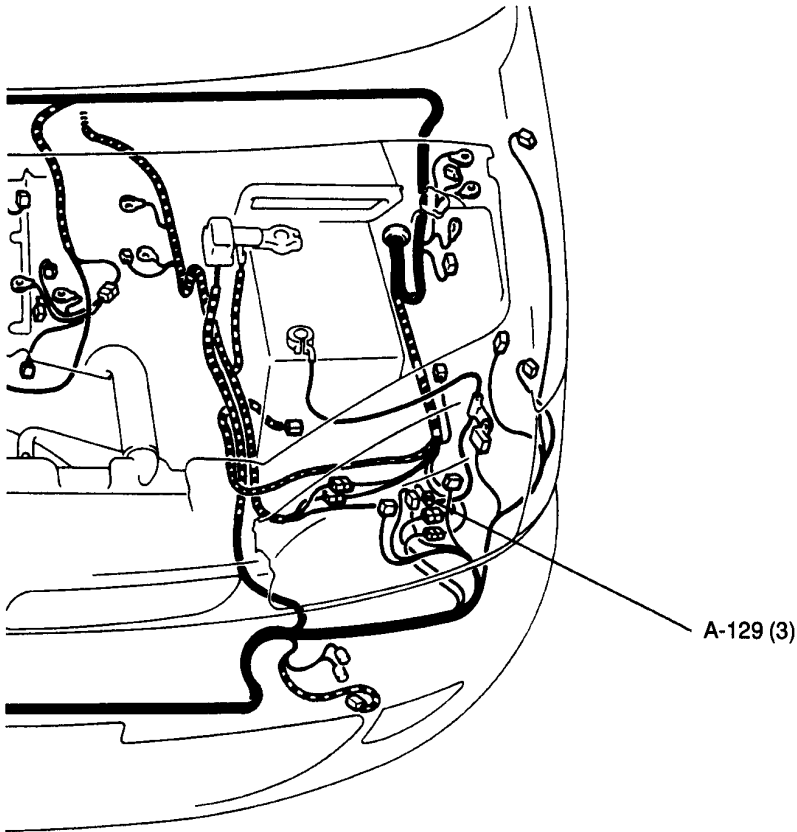


Diesel <R.H. drive vehicles>



- A-105 -
- A-106 -
- A-107 -
- A-108 -
- A-109 -
- A-110 -
- A-111 -
- A-112 -
- A-113 -

- A-114 -
- A-115 -
- A-116 -
- A-117 -
- A-118 -
- A-119 -
- A-120 -
- A-121 -



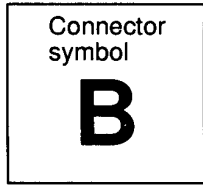
B36W0102

- A-122 -
- A-123 -
- A-124 -
- A-125 -
- A-126 -
- A-127 -
- A-128 -
- A-129 Headlamp leveling unit (LH)

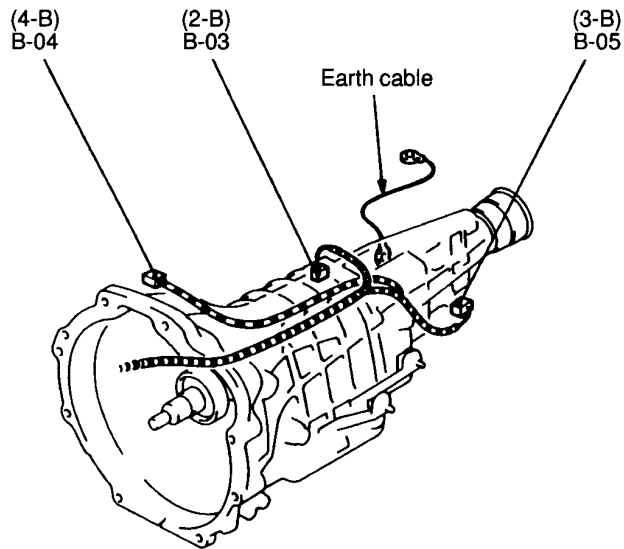
- A-130 -
- A-131 Headlamp leveling unit (RH)
- A-132 -
- A-133 -
- A-134 -
- A-135 -
- A-136 -
- A-137 Resistor

TRANSMISSION

120002479

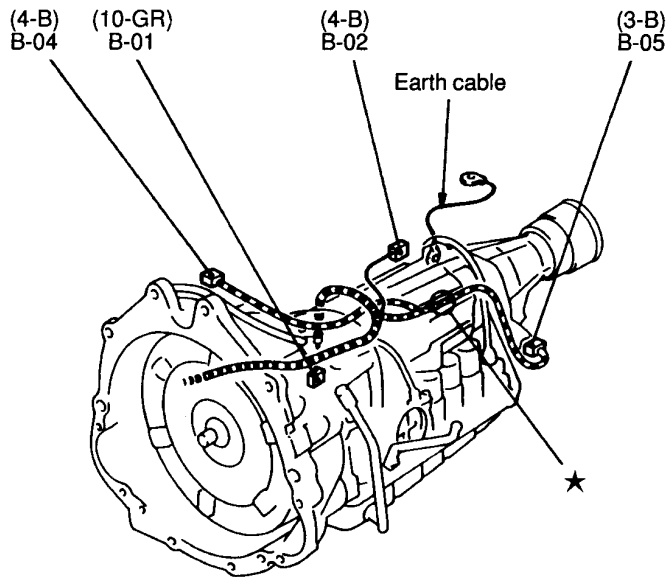


<2WD-M/T>



36W0119

<2WD-A/T>

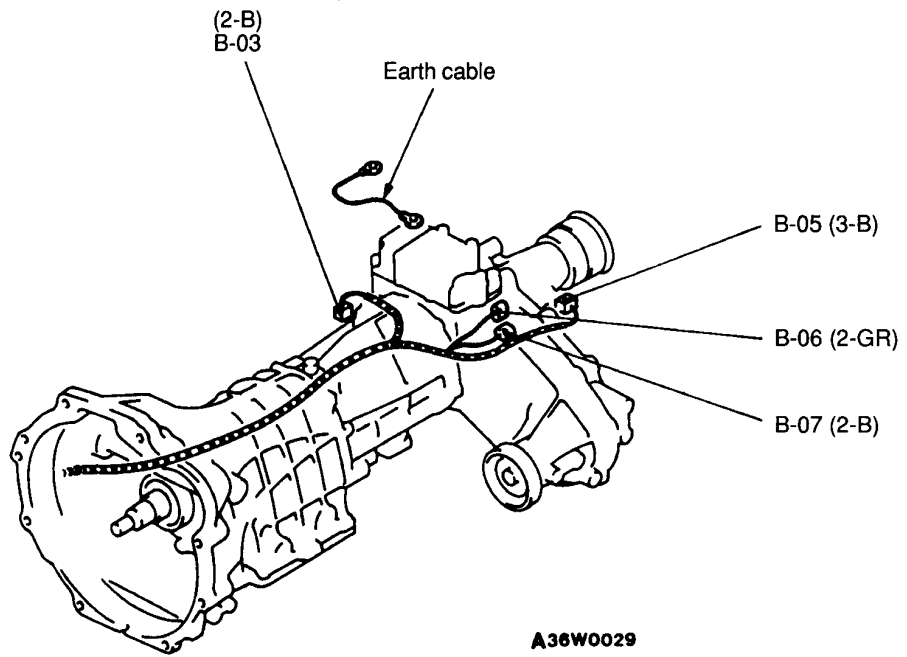


36W0120

00003210

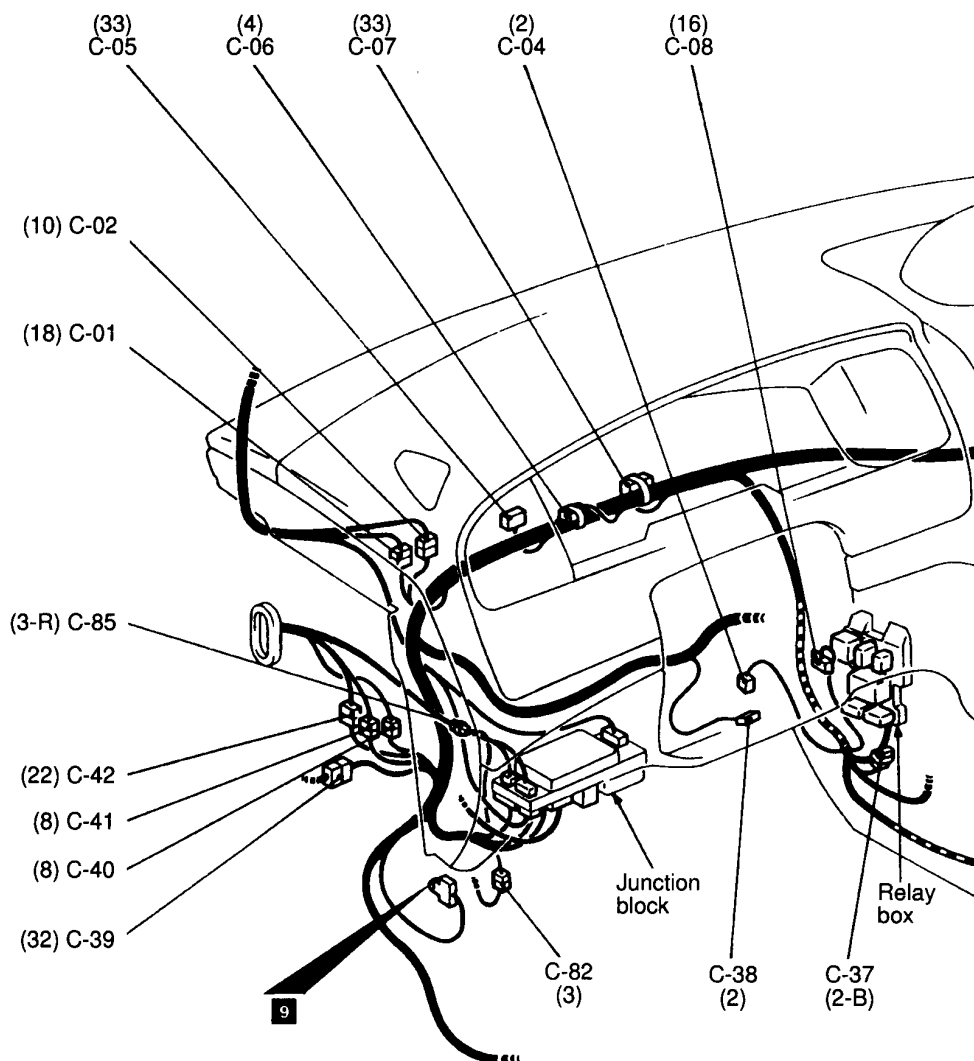
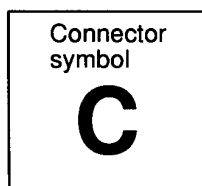
- |      |                                |      |                                       |
|------|--------------------------------|------|---------------------------------------|
| B-01 | Inhibitor switch <A/T>         | B-05 | Vehicle speed sensor                  |
| B-02 | Overdrive solenoid valve <A/T> | B-06 | High range/low range detection switch |
| B-03 | Back-up lamp switch <M/T>      | B-07 | 4WD detection switch                  |
| B-04 | Oxygen sensor <MPI>            |      |                                       |

<4WD>

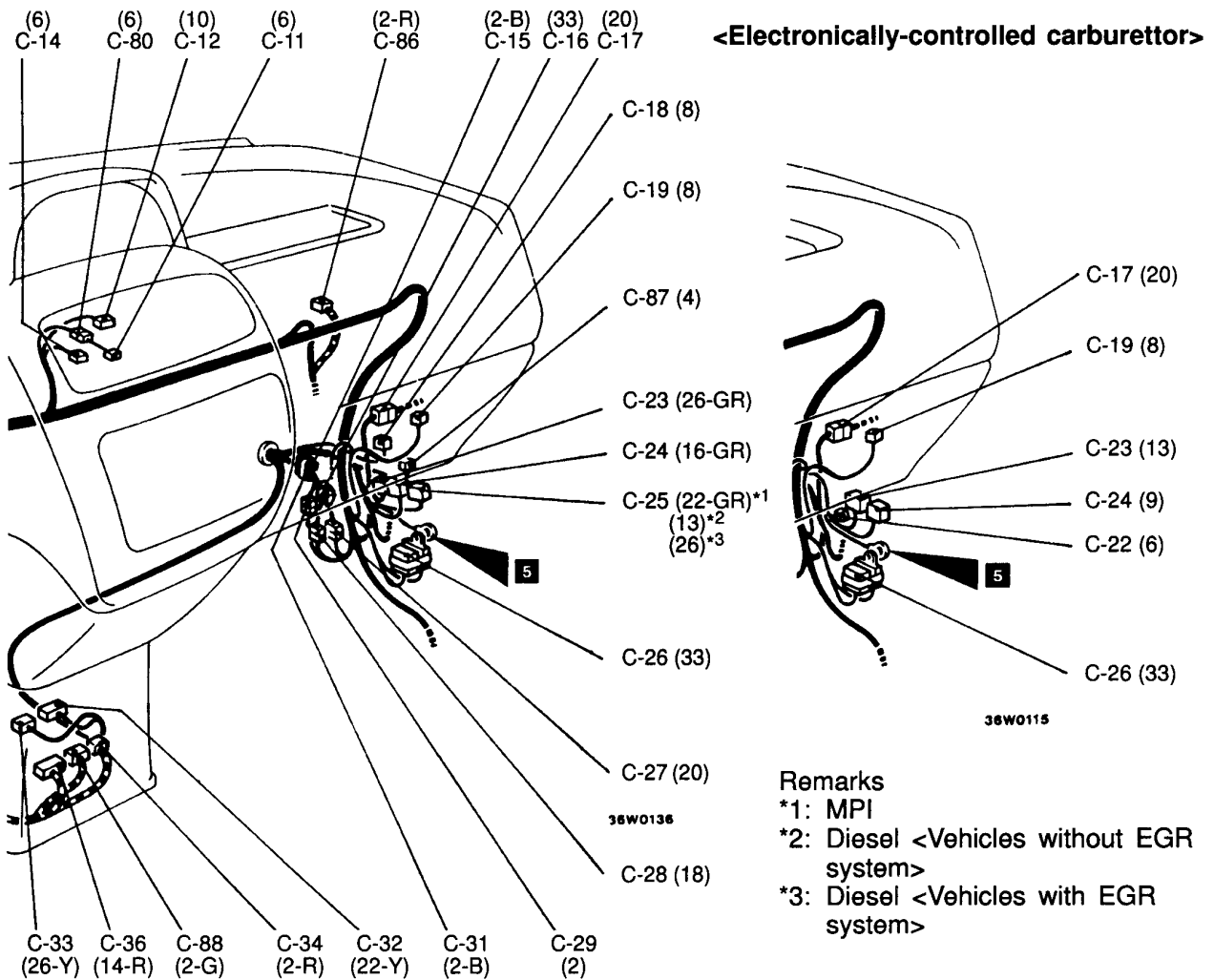


## DASH PANEL

L.H. drive vehicles

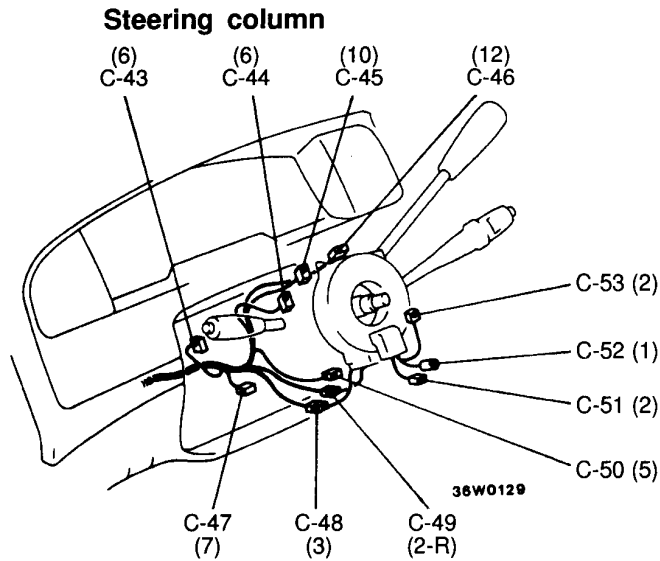
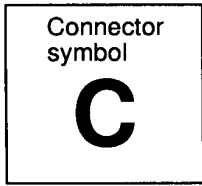


C-01	Roof wiring harness and body wiring harness combination	C-13	-
C-02	Roof wiring harness and body wiring harness combination <Vehicles with overhead cooling unit>	C-14	Front A/C switch
C-03	-	C-15	Diode (for A/C idle-up circuit) <Electronically-controlled carburettor>
C-04	Stop lamp switch	C-16	J/C (5)
C-05	J/C (1)	C-17	Front door wiring harness (passenger's side) and body wiring harness combination
C-06	J/C (4)	C-18	Engine control relay <MPI>
C-07	J/C (2)	C-19	Rear intermittent wiper relay
C-08	Diagnosis connector	C-20	-
C-09	-	C-21	-
C-10	-	C-22	Fuel pump-ECU <Electronically-controlled carburettor>
C-11	Rear heater switch	C-23	Engine-ECU
C-12	Front blower switch	C-24	Engine-ECU



- |      |  |      |   |
|------|--|------|---|
| C-25 | Engine-ECU or glow-ECU                                     | C-36 | SRS diagnosis unit  |
| C-26 | J/C (3)  | C-37 | Diode (for rear blower circuit) <Vehicles with under seat type rear heater>   |
| C-27 | Control wiring harness and body wiring harness combination | C-38 | Thermo sensor (inside) <Vehicles with multi-meter>                            |
| C-28 | Control wiring harness and body wiring harness combination | C-39 | Front door wiring harness (driver's side) and body wiring harness combination |
| C-29 | Control wiring harness and body wiring harness combination | C-40 | Front wiring harness and body wiring harness combination <SRS>                |
| C-30 | -  | C-41 | Front wiring harness and body wiring harness combination                      |
| C-31 | Diode (for ABS circuit)                                    | C-42 | Front wiring harness and body wiring harness combination                      |
| C-32 | ABS-ECU  |      |   |
| C-33 | ABS-ECU  |      |   |
| C-34 | SRS diagnosis unit   |      |   |
| C-35 | -  |      |   |

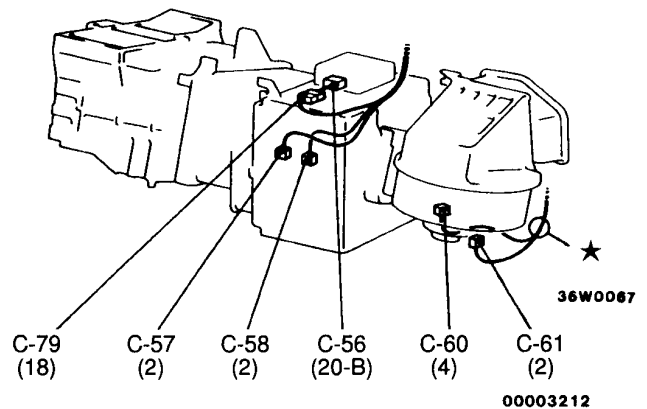
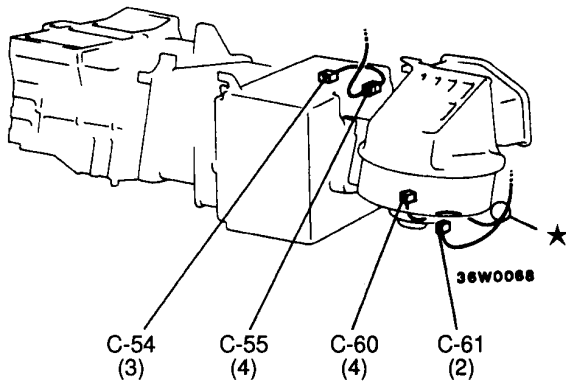
L.H. drive vehicles



Front blower and cooling unit

<Vehicles with single heater or single A/C>

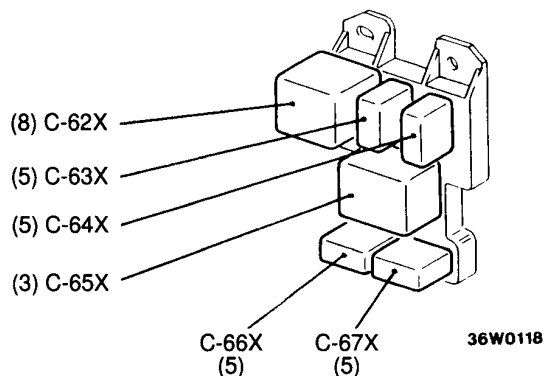
<Vehicles with dual heater or dual A/C>



00003212

- |      |  |       |  |
|------|--|-------|--|
| C-43 | Ignition switch  | C-58  | Resistor <Overhead type A/C>                               |
| C-44 | Column switch  | C-59  | -  |
| C-45 | Column switch  | C-60  | Front blower resistor                                      |
| C-46 | Column switch  | C-61  | Front blower motor   |
| C-47 | Key reminder switch  | C-62X | Door lock-ECU  |
| C-48 | Clock spring   | C-63X | Fuel line heater relay                                     |
| C-49 | Clock spring   | C-64X | Power window relay   |
| C-50 | Steering wheel sensor <ABS>  | C-65X | Turn-signal and hazard warning flasher unit                |
| C-51 | No connection <SRS>  | C-66X | Rear blower motor relay (HI) <Under seat type rear heater> |
| C-52 | Horn switch <SRS>  |       | Rear blower motor relay <Built-in type rear heater>        |
| C-53 | Air bag module (squib) (Driver's side)                                     | C-67X | Accessory socket relay                                     |
| C-54 | Thermostat <Single A/C>  | C-68  | Roof wiring harness and junction block combination         |
| C-55 | Thermostat wiring harness and body wiring harness combination <Single A/C> |       |  |
| C-56 | A/C-ECU <Dual A/C>   |       |  |
| C-57 | Front air thermo sensor <Dual A/C>   |       |  |

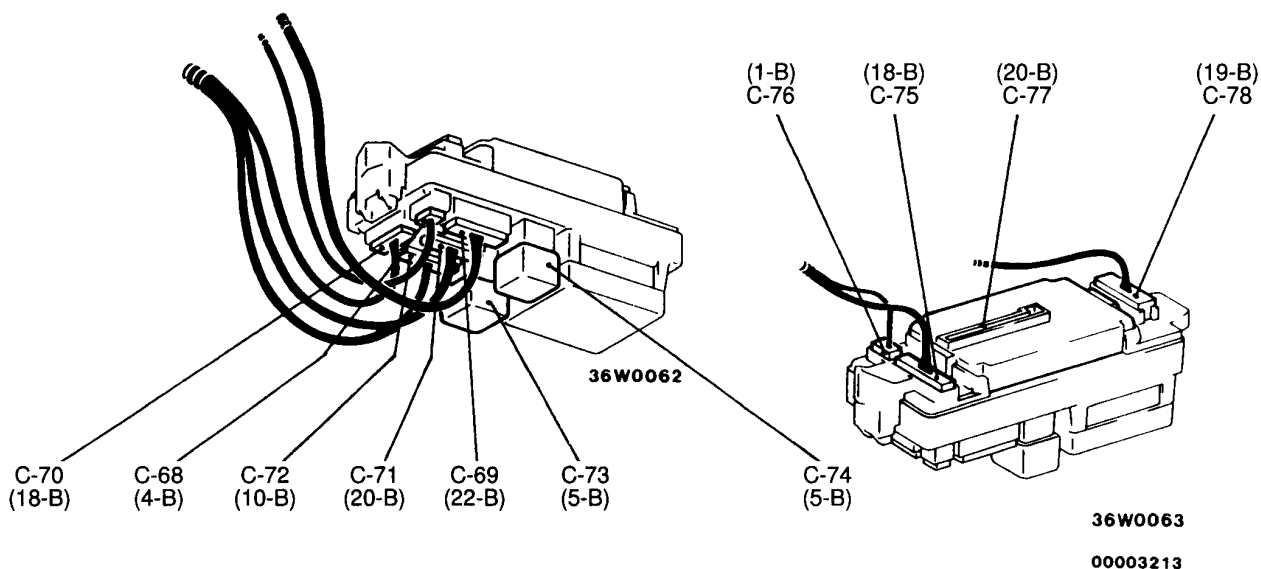
Relay box in passenger compartment



Junction block

(Under view)

(Upper view)



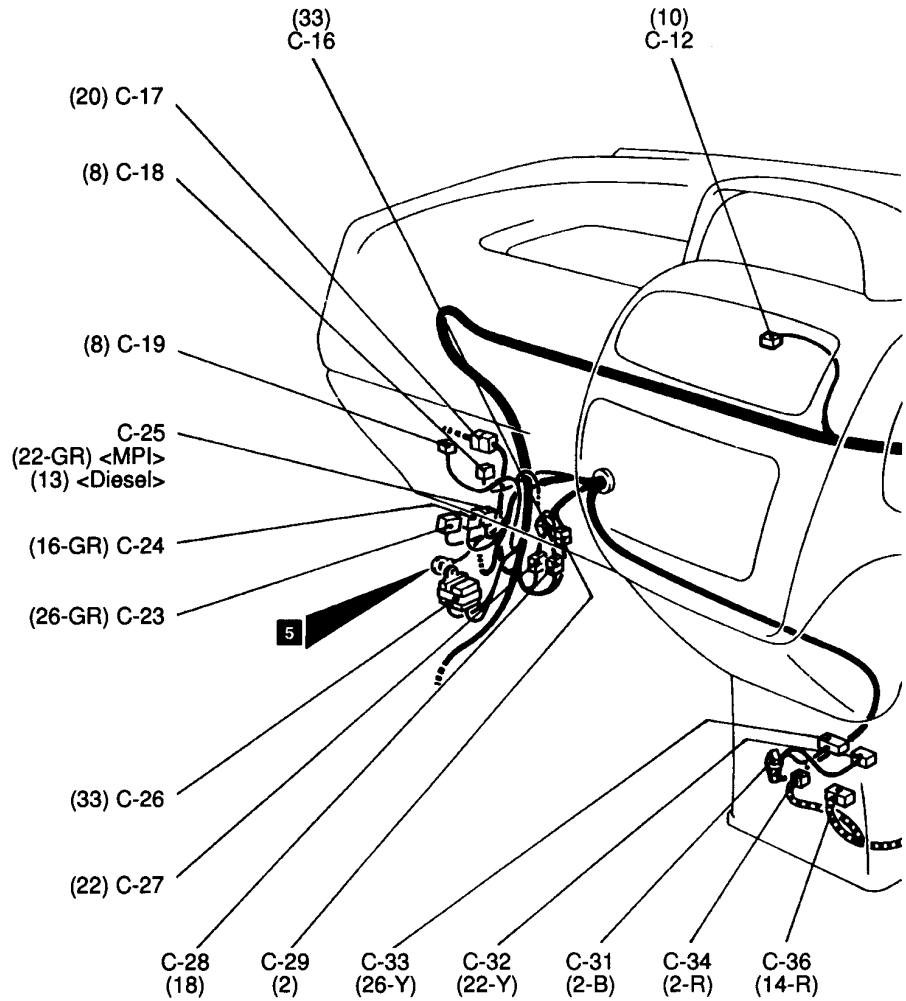
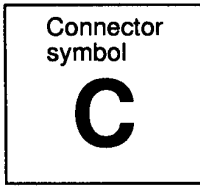
- C-69 Instrument panel wiring harness and junction block combination
- C-70 Body wiring harness and junction block combination
- C-71 Body wiring harness and junction block combination
- C-72 Body wiring harness and junction block combination
- C-73 Defogger relay
- C-74 Front blower motor relay
- C-75 Front wiring harness and junction block combination
- C-76 Front wiring harness and junction block combination
- C-77 Buzzer-ECU

- C-78 Roof wiring harness and junction block combination
- C-79 Body wiring harness and joint wiring harness combination <Overhead type A/C>
- C-80 Body wiring harness and joint wiring harness combination <Under seat type rear heater>
- C-81 -
- C-82 Front wiring harness and instrument panel wiring harness combination
- C-83 -
- C-84 -
- C-85 Diode (for DRL and rear fog lamp circuit)
- C-86 Air bag module (squib) (Passenger's side)
- C-87 Intercooler fan-ECU
- C-88 SRS diagnosis unit

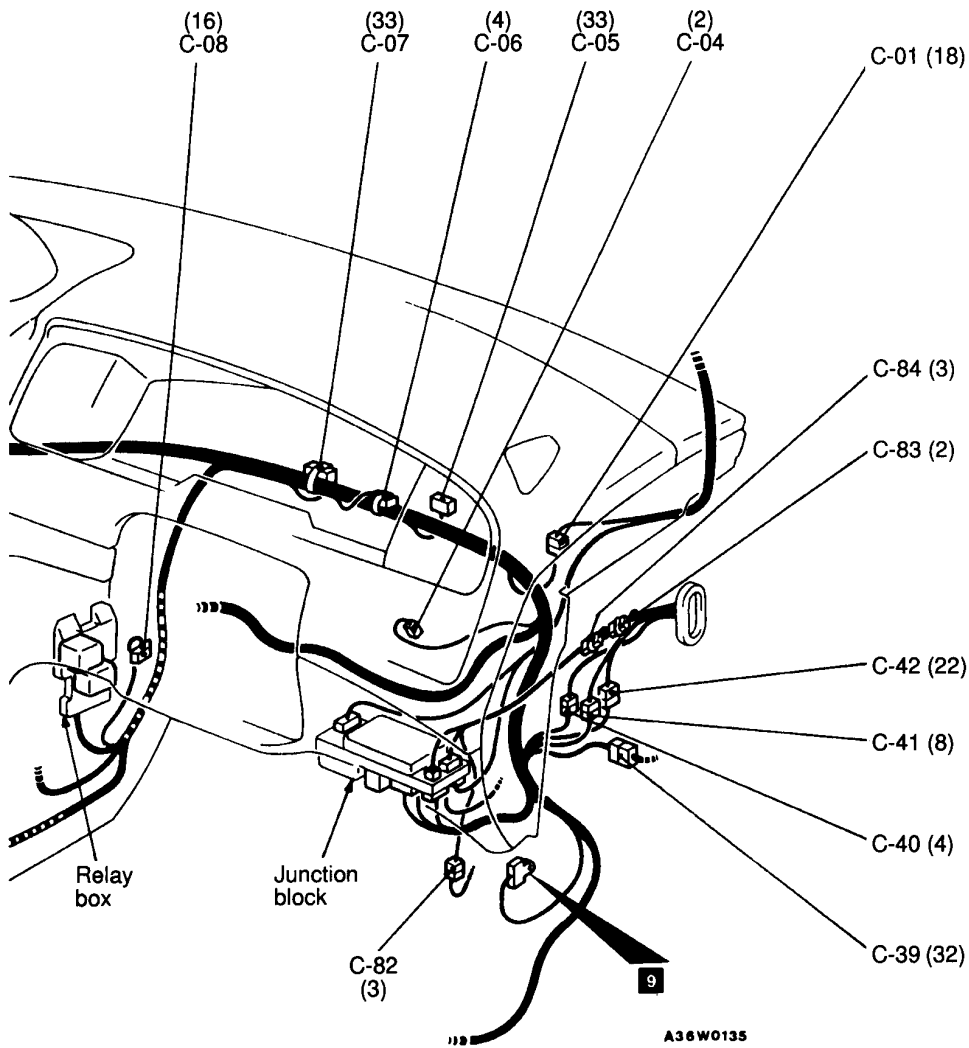


DASH PANEL

R.H. drive vehicles

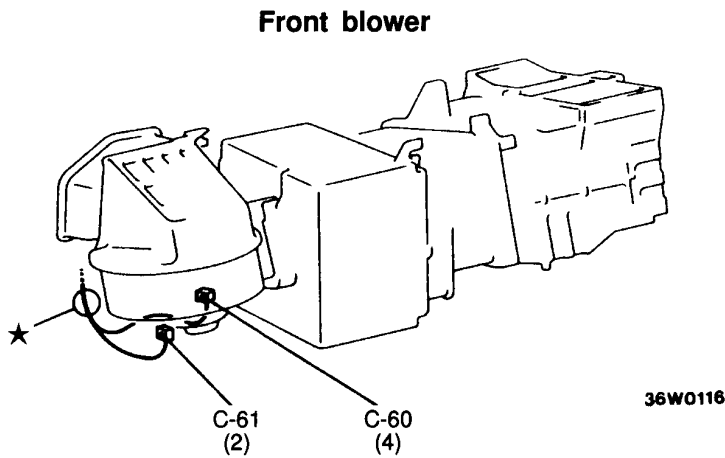
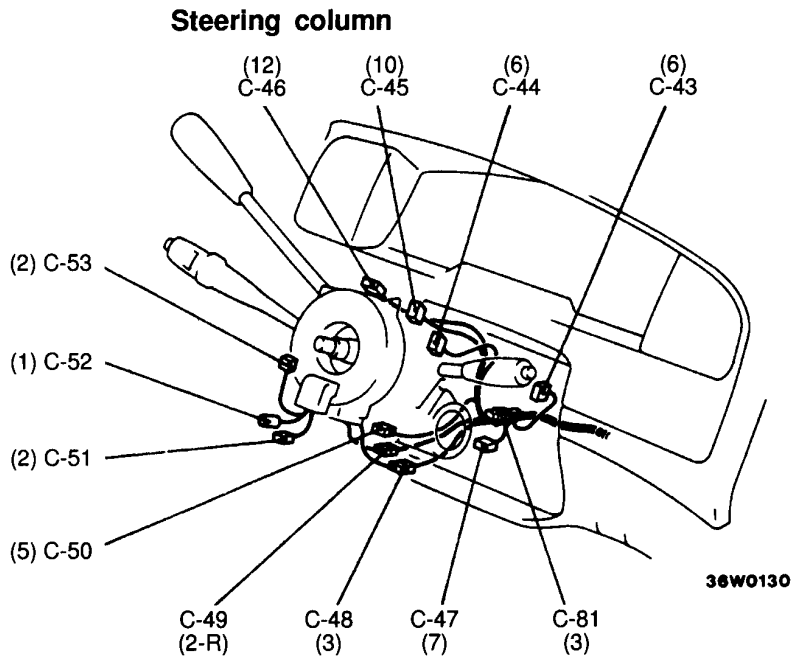
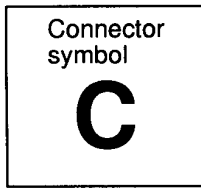


- |      |   |      |  |
|------|---|------|--|
| C-01 | Roof wiring harness and body wiring harness combination | C-13 | -  |
| C-02 | -   | C-14 | -  |
| C-03 | -   | C-15 | -  |
| C-04 | Stop lamp switch  | C-16 | J/C (5)  |
| C-05 | J/C (1)   | C-17 | Front door wiring harness (passenger's side) and body wiring harness combination |
| C-06 | J/C (4)   | C-18 | Engine control relay <MPI>   |
| C-07 | J/C (2)   | C-19 | Rear intermittent wiper relay or jumper connector                                |
| C-08 | Diagnosis connector                                     | C-20 | -  |
| C-09 | -   | C-21 | -  |
| C-10 | -   | C-22 | -  |
| C-11 | -   | C-23 | Engine-ECU   |
| C-12 | Front blower switch                                     |      |  |



- |      |  |      |   |
|------|--|------|---|
| C-24 | Engine-ECU   | C-34 | SRS diagnosis unit  |
| C-25 | Engine-ECU or glow-ECU                                     | C-35 | -   |
| C-26 | J/C (3)  | C-36 | SRS diagnosis unit  |
| C-27 | Control wiring harness and body wiring harness combination | C-37 | -   |
| C-28 | Control wiring harness and body wiring harness combination | C-38 | -   |
| C-29 | Control wiring harness and body wiring harness combination | C-39 | Front door wiring harness (driver's side) and body wiring harness combination |
| C-30 | -  | C-40 | Front wiring harness and body wiring harness combination <SRS>                |
| C-31 | Diode (for ABS circuit)                                    | C-41 | Front wiring harness and body wiring harness combination                      |
| C-32 | ABS-ECU  | C-42 | Front wiring harness and body wiring harness combination                      |
| C-33 | ABS-ECU  |      |   |

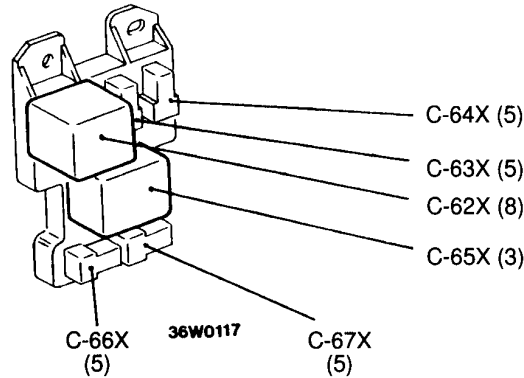
R.H. drive vehicles



00003214

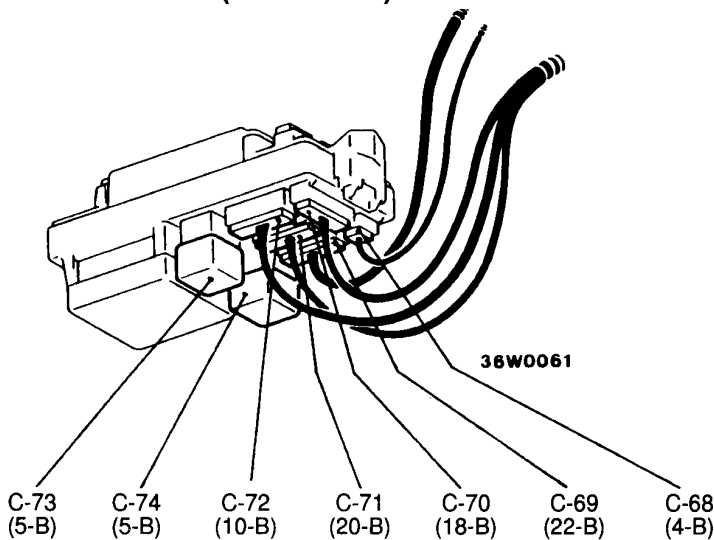
- |      |                             |       |   |
|------|-----------------------------|-------|---|
| C-43 | Ignition switch             | C-55  | -   |
| C-44 | Column switch               | C-56  | -   |
| C-45 | Column switch               | C-57  | -   |
| C-46 | Column switch               | C-58  | -   |
| C-47 | Key reminder switch         | C-59  | -   |
| C-48 | Clock spring                | C-60  | Front blower resistor                       |
| C-49 | Clock spring                | C-61  | Front blower motor                          |
| C-50 | Steering wheel sensor <ABS> | C-62X | Door lock-ECU                               |
| C-51 | No connection <SRS>         | C-63X | -   |
| C-52 | Horn switch <SRS>           | C-64X | -   |
| C-53 | Air bag module (squib)      | C-65X | Turn-signal and hazard warning flasher unit |
| C-54 | -                           | C-66X | -   |

Relay box in passenger compartment

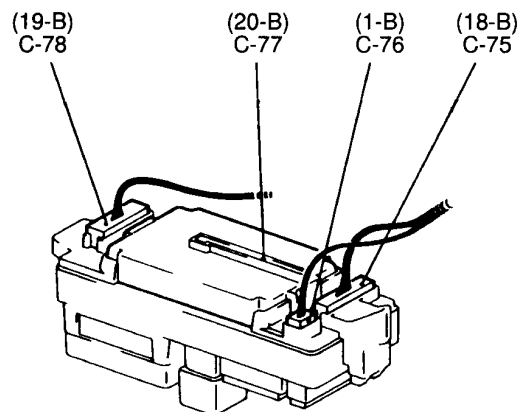


Junction block

(Under view)



(Upper view)



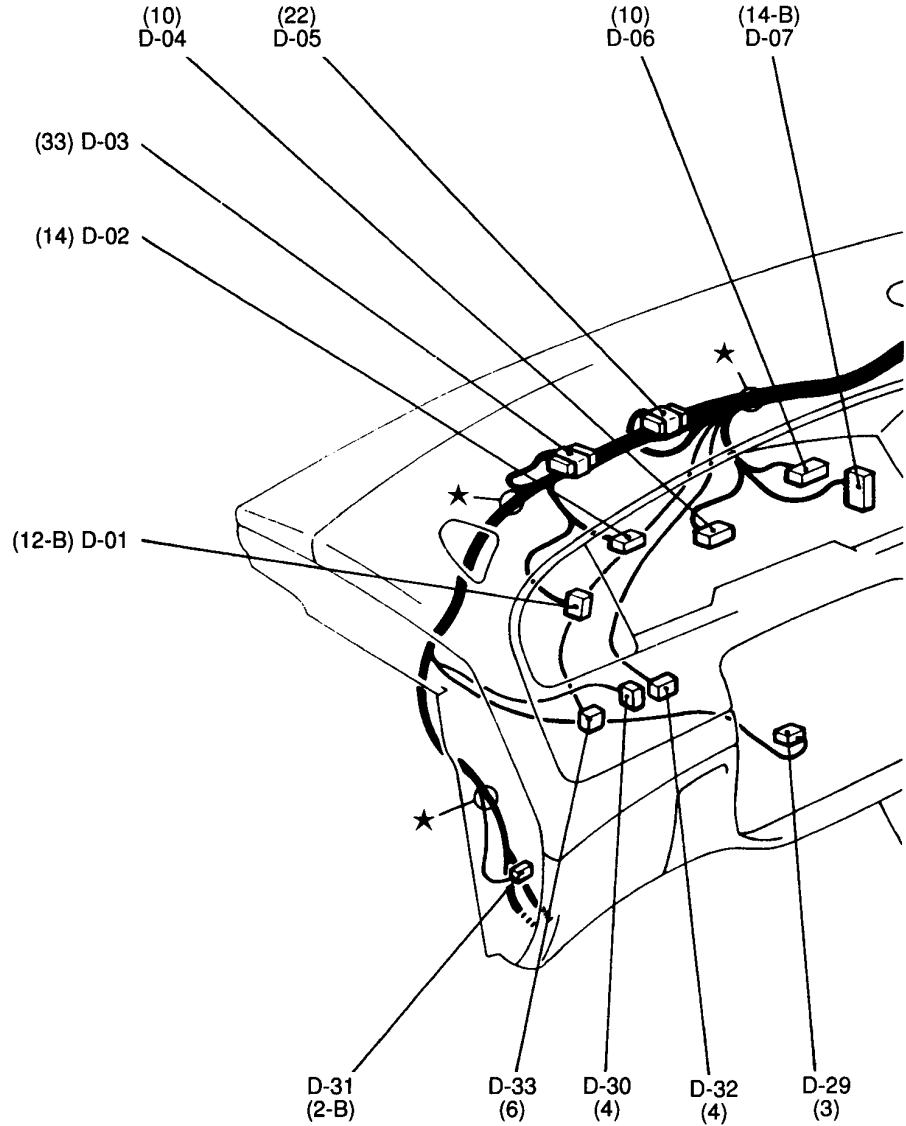
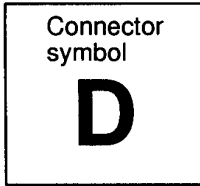
36W0064

00003215

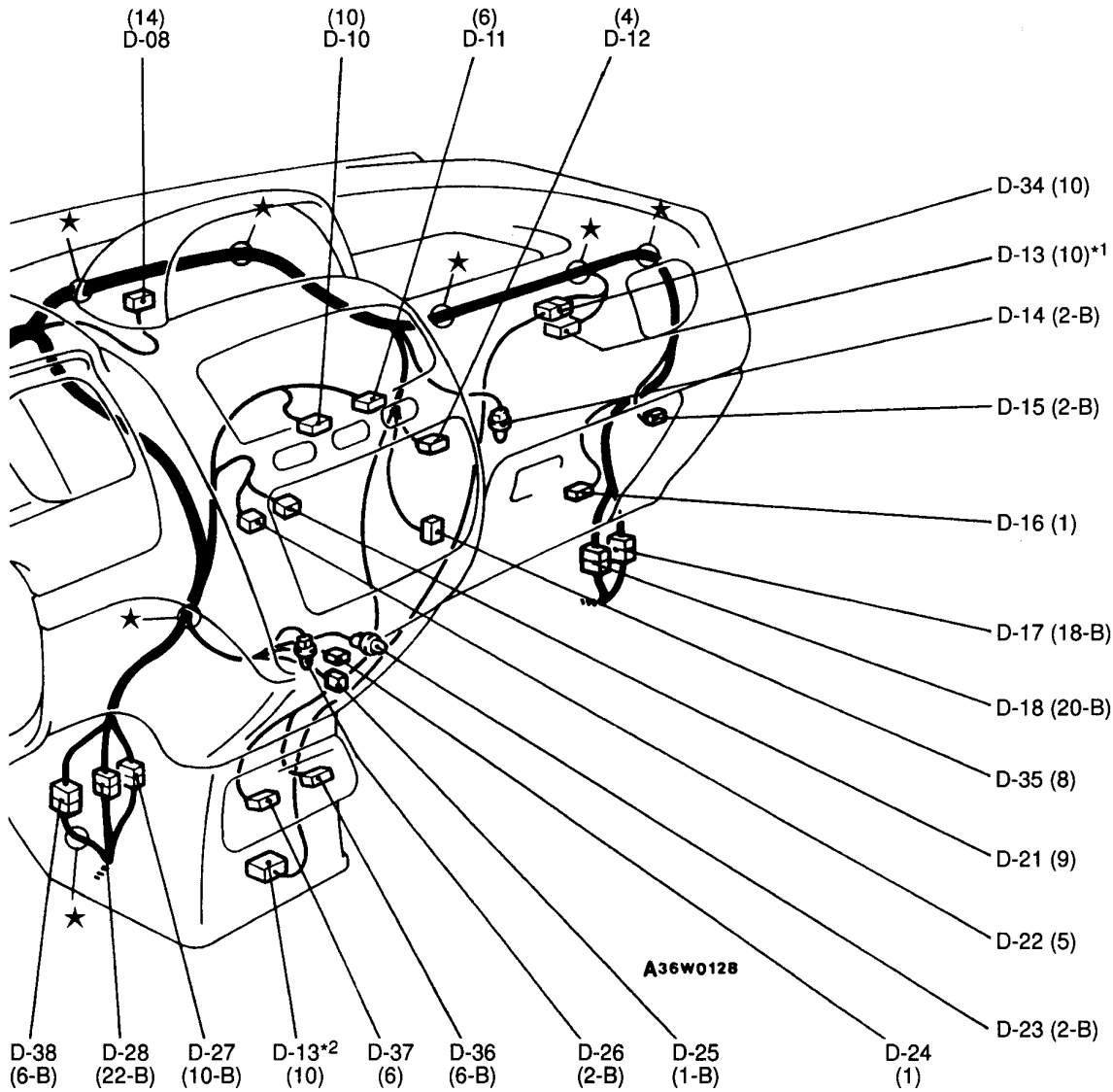
- |   |   |
|---|---|
| C-67X -   | C-76 Front wiring harness and junction block combination                  |
| C-68 Roof wiring harness and junction block combination             | C-77 Buzzer-ECU   |
| C-69 Instrument panel wiring harness and junction block combination | C-78 Roof wiring harness and junction block combination                   |
| C-70 Body wiring harness and junction block combination             | C-79 -  |
| C-71 Body wiring harness and junction block combination             | C-80 -  |
| C-72 Body wiring harness and junction block combination             | C-81 Diode (for dim-dip lamp circuit)                                     |
| C-73 Defogger relay   | C-82 Front wiring harness and instrument panel wiring harness combination |
| C-74 Front blower motor relay                                       | C-83 Diode (for dim-dip lamp circuit)                                     |
| C-75 Front wiring harness and junction block combination            | C-84 Diode (for dim-dip lamp circuit)                                     |

INSTRUMENT PANEL

L.H. drive vehicles



- |      |                         |      |   |
|------|-------------------------|------|---|
| D-01 | Combination meter       | D-14 | Glove box lamp  |
| D-02 | Combination meter       | D-15 | Front speaker (passenger's side)  |
| D-03 | J/C (6)                 | D-16 | Glove box lamp switch   |
| D-04 | Combination meter (A/T) | D-17 | Control wiring harness and instrument panel wiring harness combination              |
| D-05 | J/C (7)                 | D-18 | Control wiring harness and instrument panel wiring harness combination <4WD or A/T> |
| D-06 | Combination meter       | D-19 | -   |
| D-07 | Combination meter       | D-20 | -   |
| D-08 | Multi-meter             | D-21 | Radio and tape player   |
| D-09 | -                       | D-22 | Radio and tape player   |
| D-10 | Hazard warning switch   | D-23 | Cigarette lighter illumination lamp   |
| D-11 | Defogger switch         | D-24 | Cigarette lighter   |
| D-12 | Clock                   |      |   |
| D-13 | 4WD indicator-ECU       |      |   |



- D-25 Cigarette lighter
- D-26 Ashtray illumination lamp
- D-27 Body wiring harness and instrument panel wiring harness combination
- D-28 Body wiring harness and instrument panel wiring harness combination
- D-29 Overdrive switch <A/T>
- D-30 Rheostat or jumper connector
- D-31 Front speaker (driver's side)
- D-32 Headlamp leveling switch
- D-33 Rear fog lamp switch
- D-34 Instrument panel wiring harness and 4WD indicator wiring harness combination <SRS (passenger's side)>

- D-35 Overdrive control relay <A/T>
- D-36 Heated seat switch (RH)
- D-37 Heated seat switch (LH)
- D-38 Body wiring harness and instrument panel wiring harness combination <Heated seat>

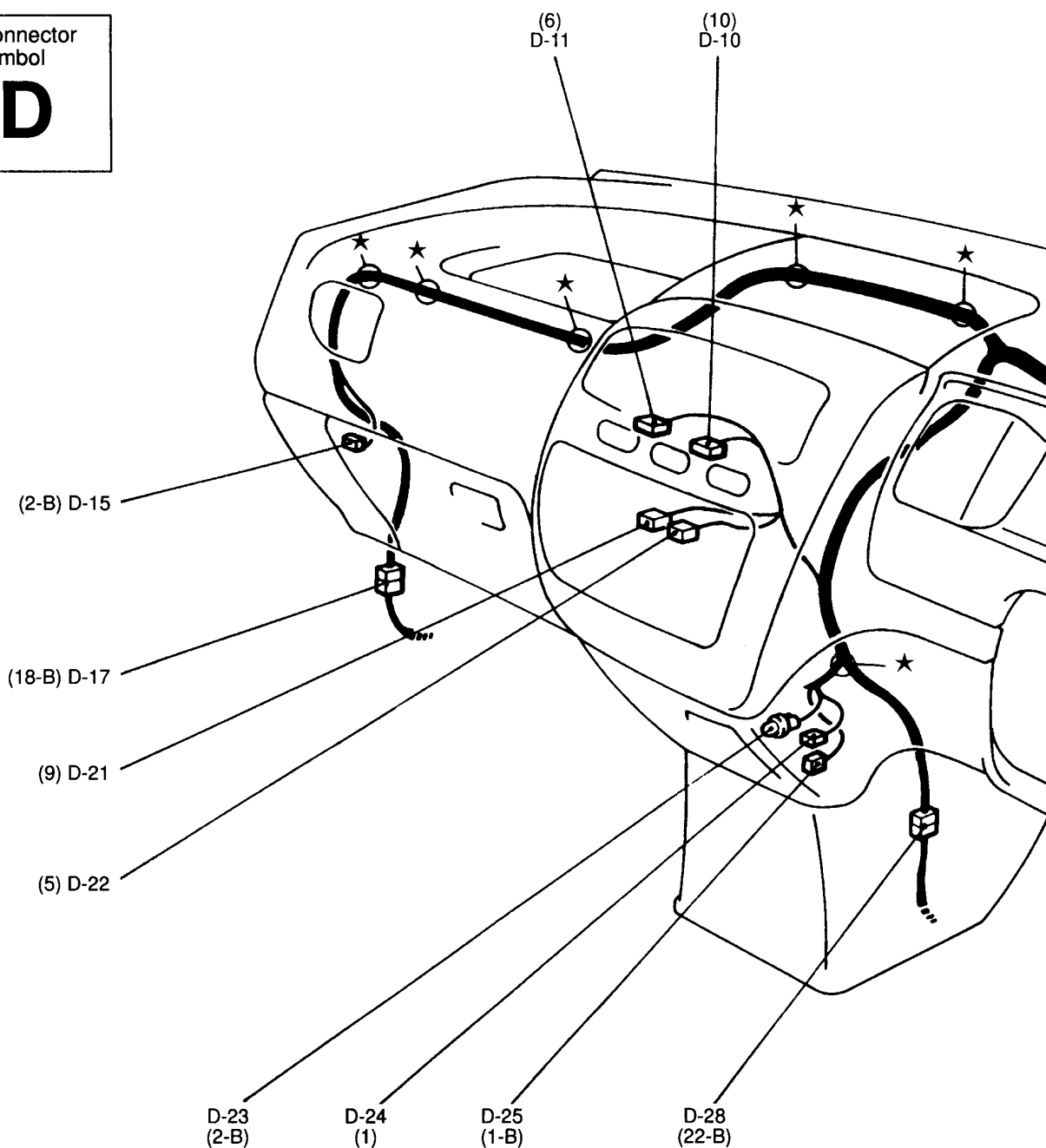
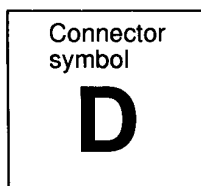
Remarks

- \*1: Vehicles without passenger's side air bag.
- \*2: Vehicles with passenger's side air bag.

INSTRUMENT PANEL

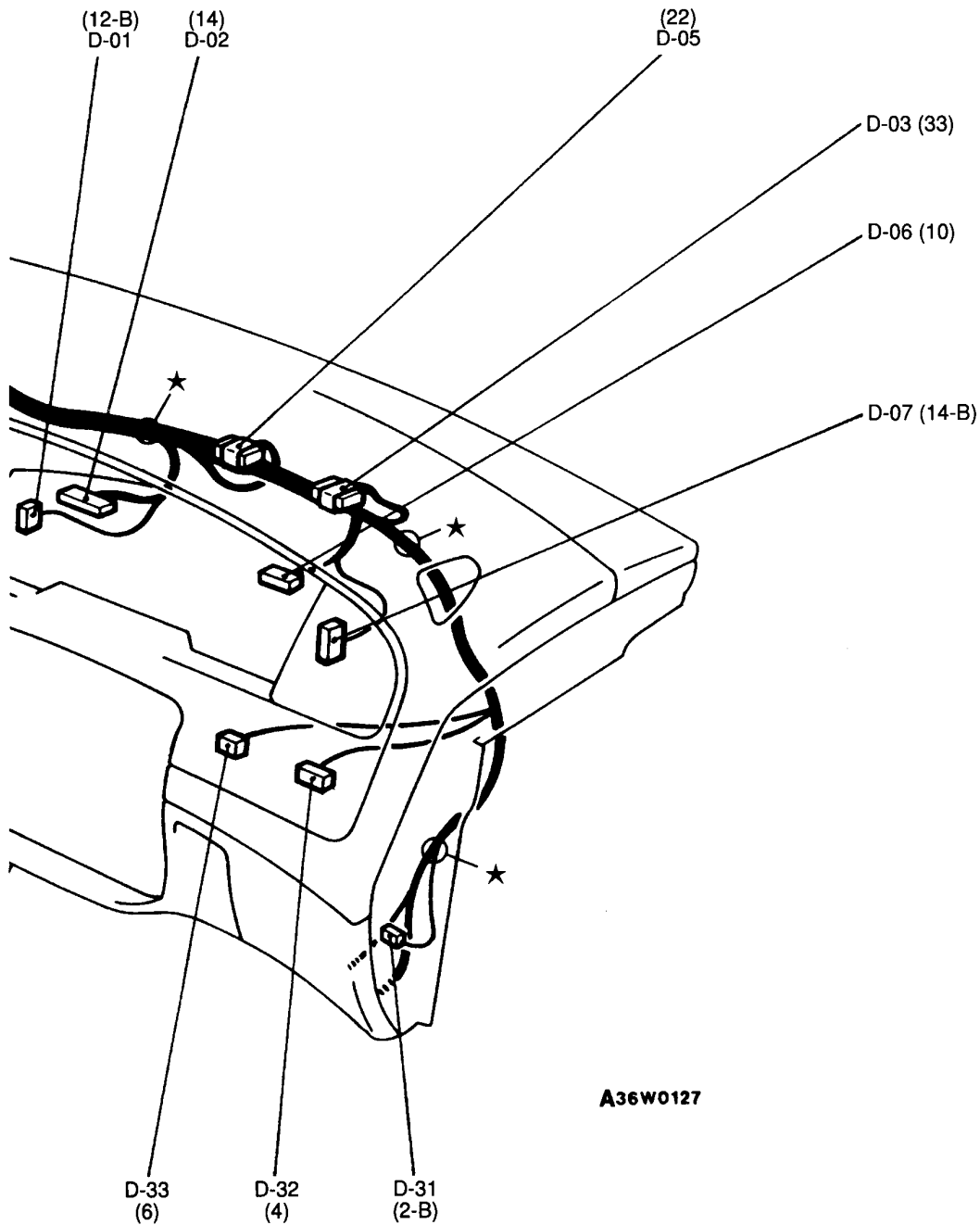
120002483

R.H. drive vehicles



- D-01 Combination meter
- D-02 Combination meter
- D-03 J/C (6)
- D-04 -
- D-05 J/C (7)
- D-06 Combination meter
- D-07 Combination meter
- D-08 -
- D-09 -

- D-10 Hazard warning switch
- D-11 Defogger switch
- D-12 -
- D-13 -
- D-14 -
- D-15 Front speaker (passenger's side)
- D-16 -
- D-17 Control wiring harness and instrument panel wiring harness combination



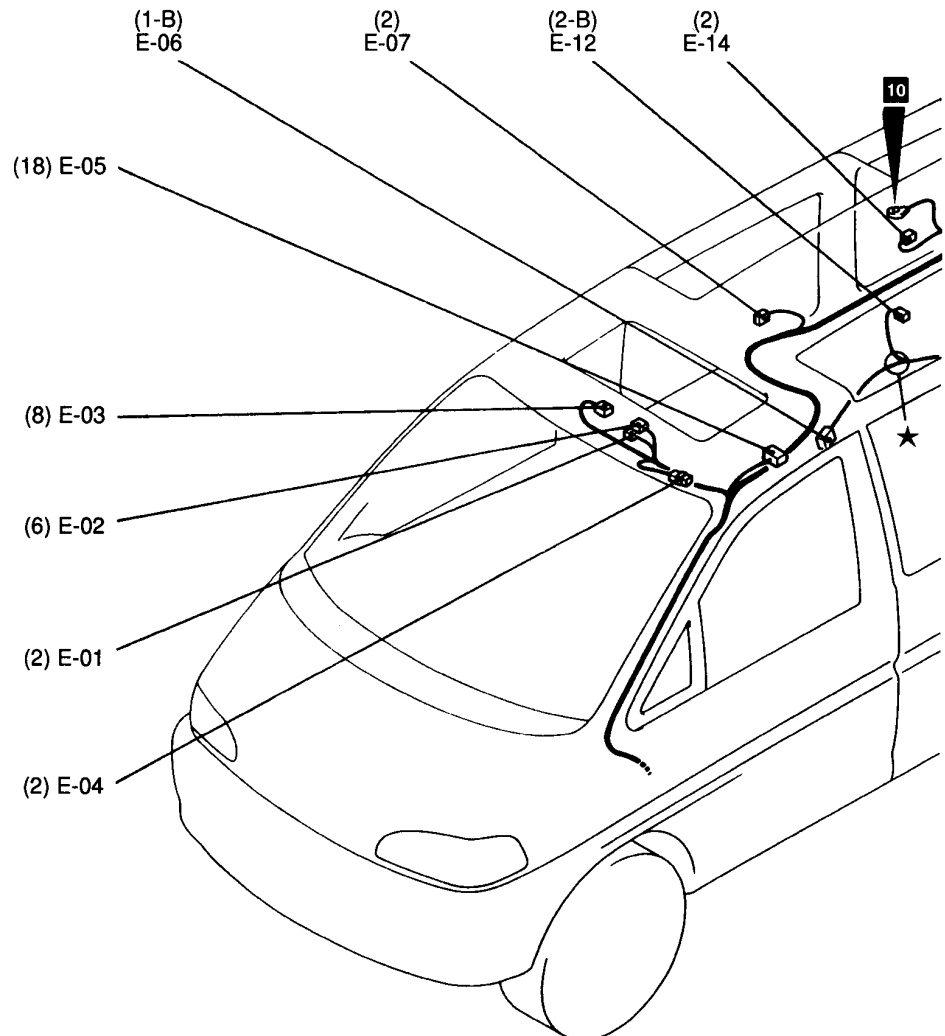
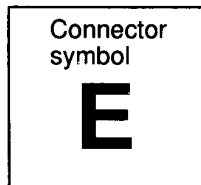
A36W0127

- |      |                                     |      |   |
|------|-------------------------------------|------|---|
| D-18 | -                                   | D-27 | -   |
| D-19 | -                                   | D-28 | Body wiring harness and instrument panel wiring harness combination |
| D-20 | -                                   | D-29 | -   |
| D-21 | Radio and tape player               | D-30 | -   |
| D-22 | Radio and tape player               | D-31 | Front speaker (driver's side)                                       |
| D-23 | Cigarette lighter illumination lamp | D-32 | Headlamp leveling switch  |
| D-24 | Cigarette lighter                   | D-33 | Rear fog lamp switch  |
| D-25 | Cigarette lighter                   |      |   |
| D-26 | -                                   |      |   |

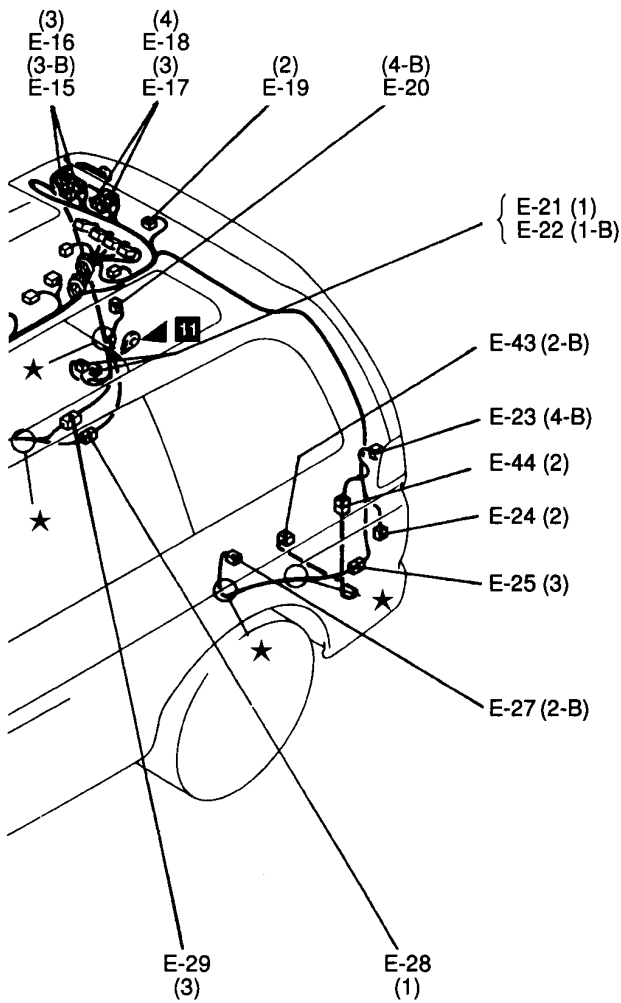


## ROOF AND REAR SIDE

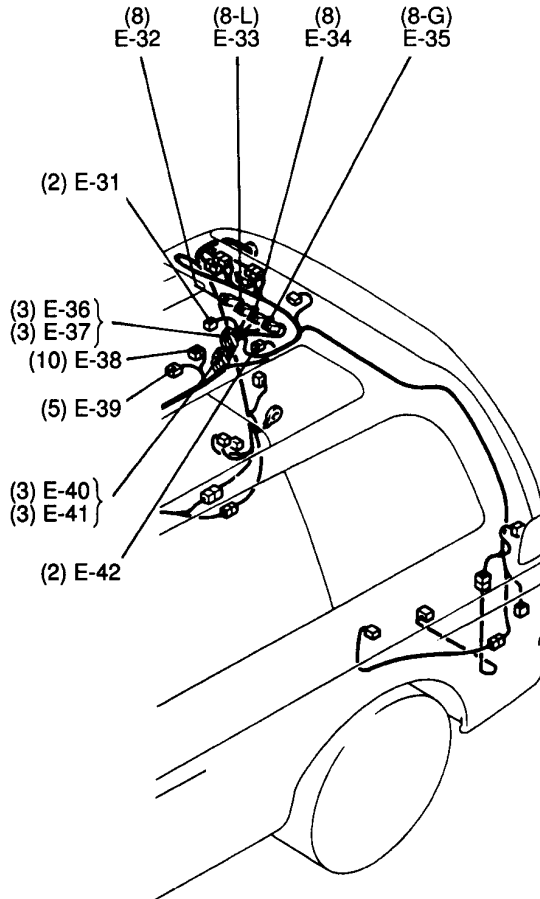
L.H. drive vehicles with crystal lite roof sunshade



E-01	Front room lamp	E-16	Tailgate wiring harness and roof wiring harness combination
E-02	Sunroof and sunshade switch (for front seats)	E-17	Tailgate wiring harness and roof wiring harness combination
E-03	Front sunroof motor	E-18	Tailgate wiring harness and roof wiring harness combination
E-04	No connection	E-19	Cargo room lamp
E-05	Front sunroof-ECU	E-20	Rear combination lamp (RH)
E-06	Slide door switch (RH)	E-21	Accessory socket
E-07	Sunshade motor (front:RH)	E-22	Accessory socket
E-08	-	E-23	Rear combination lamp (LH)
E-09	-	E-24	Rear washer motor
E-10	-	E-25	Door switch wiring harness (LH) and roof wiring harness combination
E-11	-	E-26	-
E-12	Rear speaker (RH)		
E-13	-		
E-14	Sunshade motor (front:LH)		
E-15	Tailgate wiring harness and roof wiring harness combination		



36W0131



36W0131

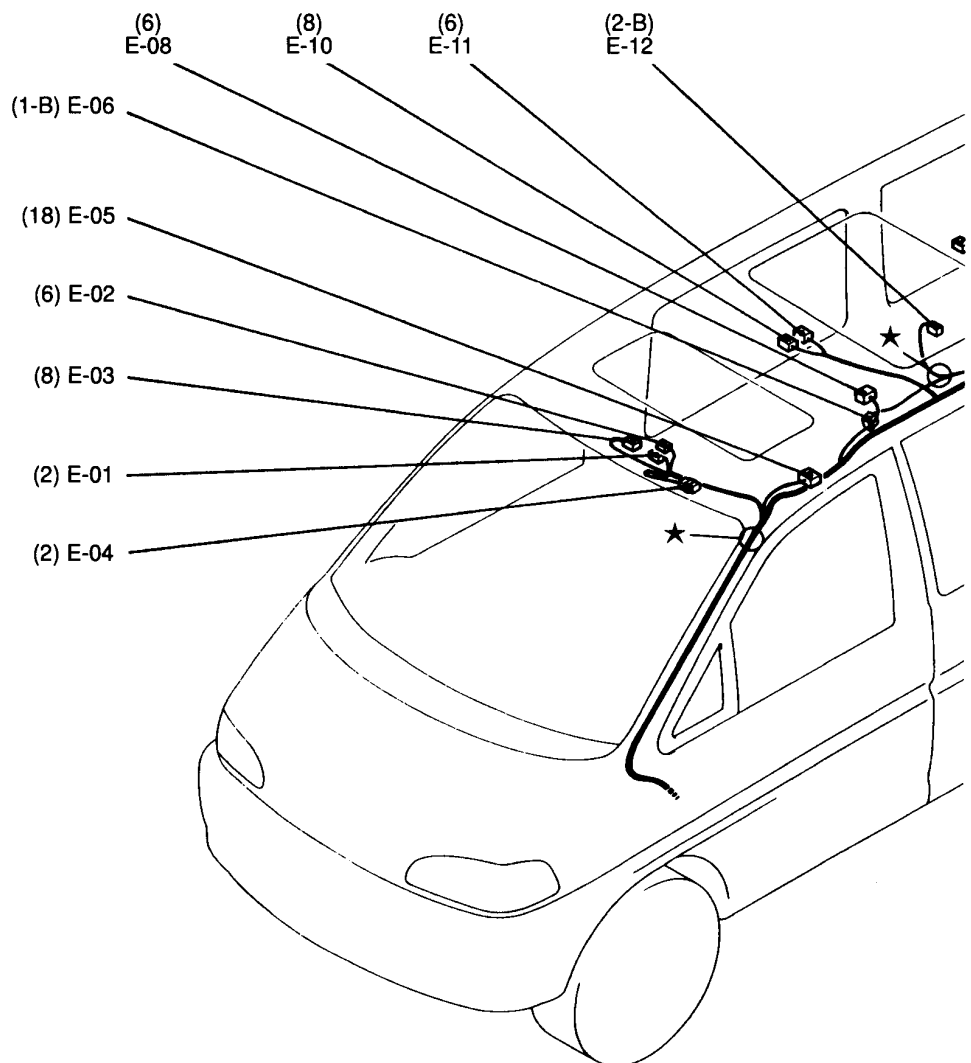
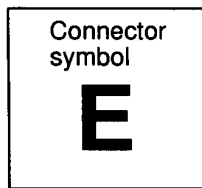
00003216

- E-27 Rear speaker (LH)
- E-28 Door switch wiring harness (RH) and roof wiring harness combination
- E-29 Door switch wiring harness (RH) and roof wiring harness combination
- E-30 -
- E-31 Sunshade motor (rear:RH)
- E-32 Sunshade relay (front:RH)
- E-33 Sunshade relay (front:LH)
- E-34 Sunshade relay (rear:RH)
- E-35 Sunshade relay (rear:LH)

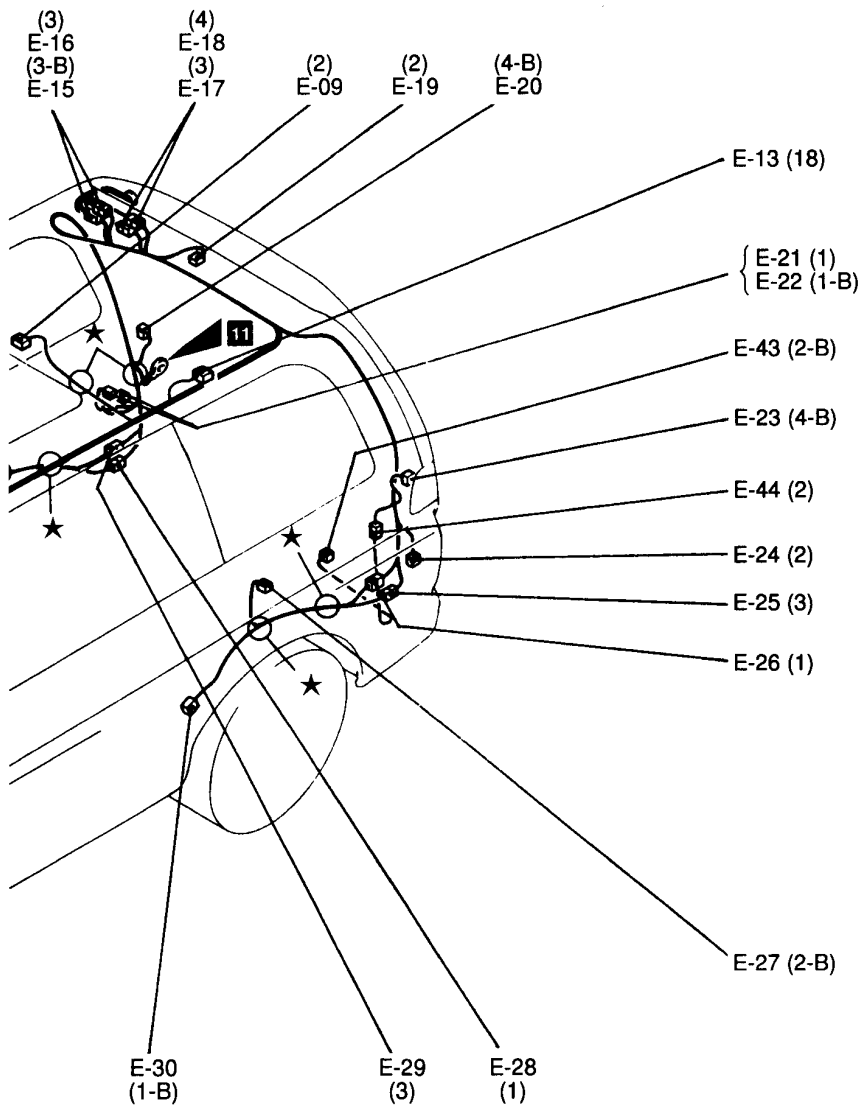
- E-36 Diode (for closing front sunshade)
- E-37 Diode (for closing rear sunshade)
- E-38 Sunshade switch (for rear seats)
- E-39 Luxury-type room lamp
- E-40 Diode (for opening front sunshade)
- E-41 Diode (for opening rear sunshade)
- E-42 Sunshade motor (rear:LH)
- E-43 Rear fog lamp
- E-44 Roof wiring harness and rear fog lamp wiring harness combination

## ROOF AND REAR SIDE

L.H. drive vehicles with twin sunroof



E-01	Front room lamp	E-16	Tailgate wiring harness and roof wiring harness combination
E-02	Sunroof switch (for front seat)	E-17	Tailgate wiring harness and roof wiring harness combination
E-03	Front sunroof motor	E-18	Tailgate wiring harness and roof wiring harness combination
E-04	No connection	E-19	Cargo room lamp
E-05	Front sunroof-ECU	E-20	Rear combination lamp (RH)
E-06	Slide door switch (RH)	E-21	Accessory socket
E-07	-	E-22	Accessory socket
E-08	Overhead cooling unit	E-23	Rear combination lamp (LH)
E-09	Rear room lamp	E-24	Rear washer motor
E-10	Rear sunroof motor	E-25	Door switch wiring harness (LH) and roof wiring harness combination
E-11	Rear sunroof switch (for rear seats)		
E-12	Rear speaker (RH)		
E-13	Rear sunroof-ECU		
E-14	-		
E-15	Tailgate wiring harness and roof wiring harness combination		



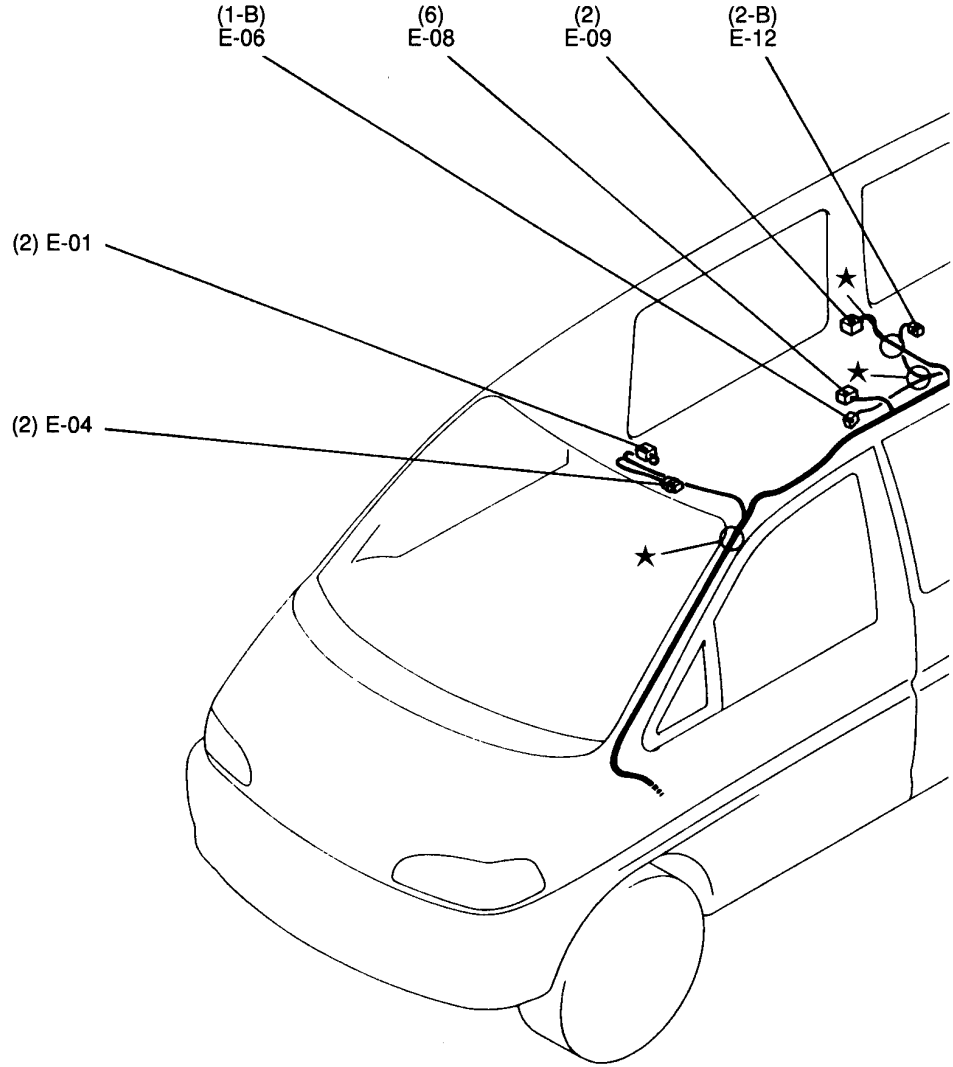
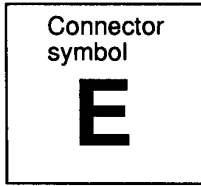
A36W0133

- |      |   |      |  |
|------|---|------|--|
| E-26 | Door switch wiring harness (LH) and roof wiring harness combination | E-35 | -  |
| E-27 | Rear speaker (LH)   | E-36 | -  |
| E-28 | Door switch wiring harness (RH) and roof wiring harness combination | E-37 | -  |
| E-29 | Door switch wiring harness (RH) and roof wiring harness combination | E-38 | -  |
| E-30 | Slide door switch (LH)  | E-39 | -  |
| E-31 | -   | E-40 | -  |
| E-32 | -   | E-41 | -  |
| E-33 | -   | E-42 | -  |
| E-34 | -   | E-43 | Rear fog lamp  |
|      |   | E-44 | Roof wiring harness and rear fog lamp wiring harness combination |

ROOF AND REAR SIDE

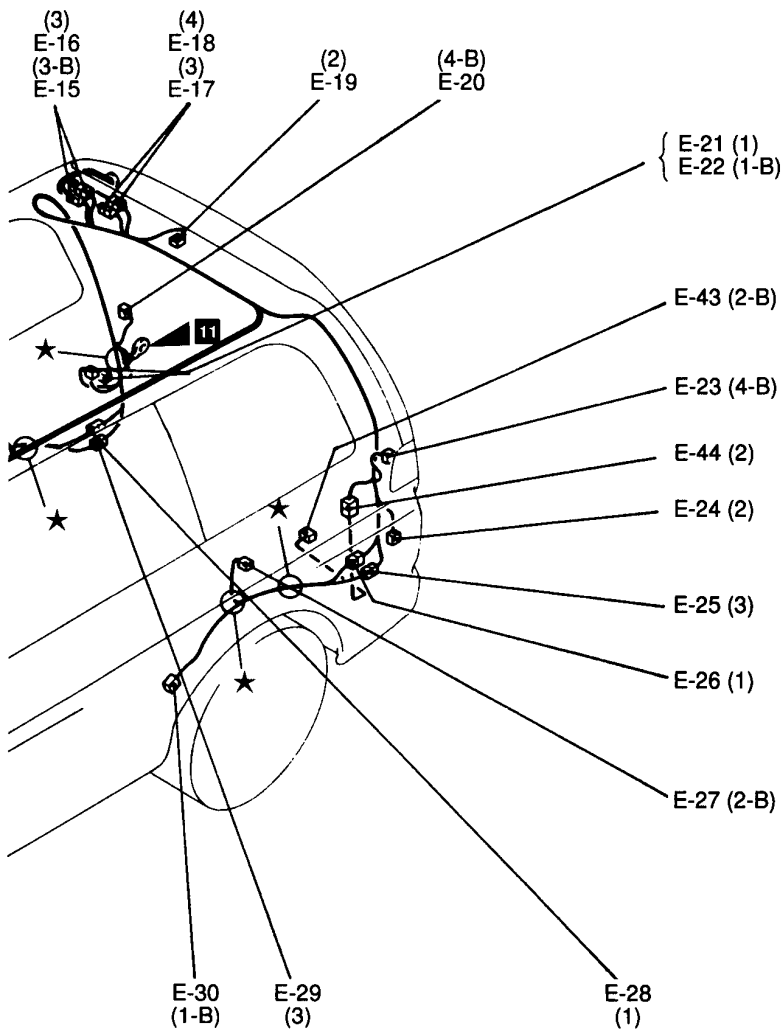
120002486

L.H. drive vehicles without sunroof



- E-01 Front room lamp
- E-02 -
- E-03 -
- E-04 No connection
- E-05 -
- E-06 Slide door switch (RH)
- E-07 -
- E-08 Overhead cooling unit
- E-09 Rear room lamp
- E-10 -
- E-11 -
- E-12 Rear speaker (RH)
- E-13 -
- E-14 -
- E-15 Tailgate wiring harness and roof wiring harness combination

- E-16 Tailgate wiring harness and roof wiring harness combination
- E-17 Tailgate wiring harness and roof wiring harness combination
- E-18 Tailgate wiring harness and roof wiring harness combination
- E-19 Cargo room lamp
- E-20 Rear combination lamp (RH)
- E-21 Accessory socket
- E-22 Accessory socket
- E-23 Rear combination lamp (LH)
- E-24 Rear washer motor
- E-25 Door switch wiring harness (LH) and roof wiring harness combination



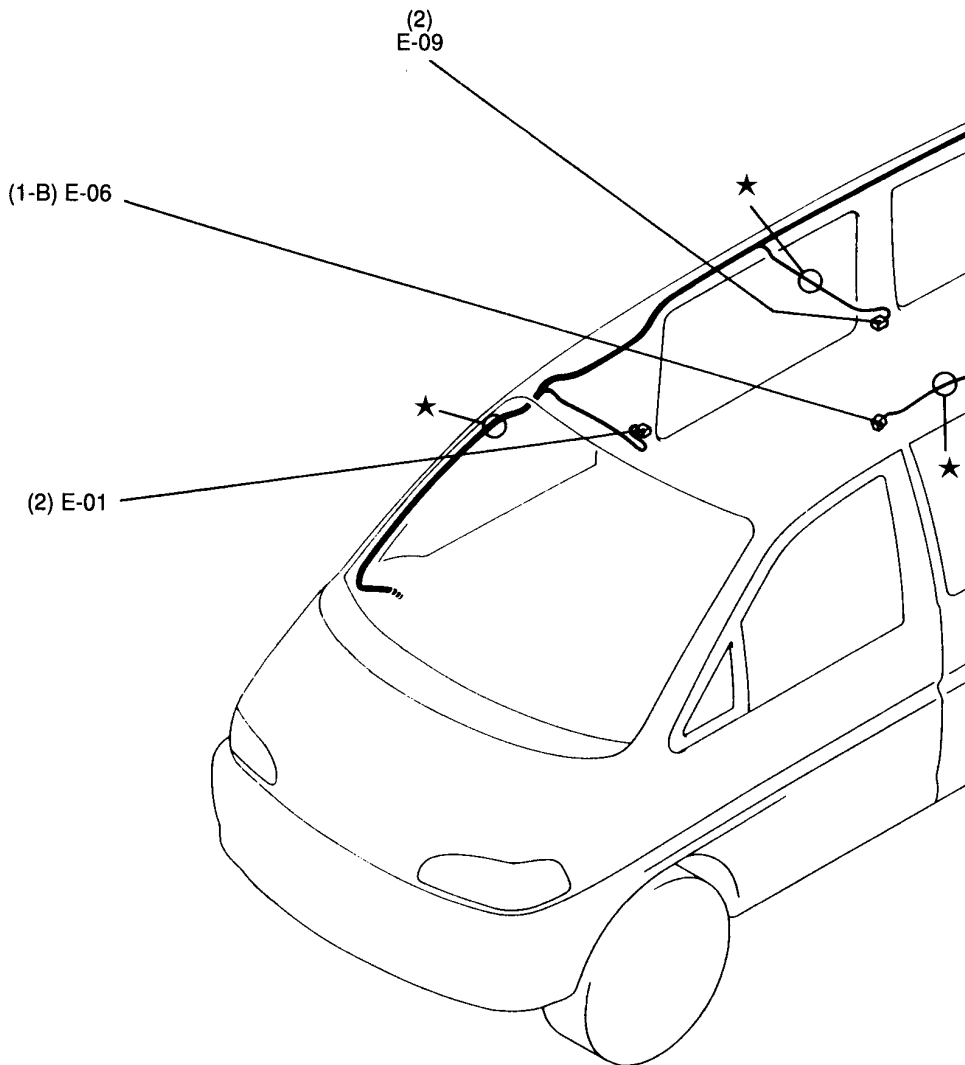
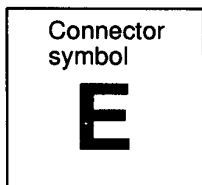
A36W0134

- |      |   |      |  |
|------|---|------|--|
| E-26 | Door switch wiring harness (LH) and roof wiring harness combination | E-35 | -  |
| E-27 | Rear speaker (LH)   | E-36 | -  |
| E-28 | Door switch wiring harness (RH) and roof wiring harness combination | E-37 | -  |
| E-29 | Door switch wiring harness (RH) and roof wiring harness combination | E-38 | -  |
| E-30 | Slide door switch (LH)  | E-39 | -  |
| E-31 | -   | E-40 | -  |
| E-32 | -   | E-41 | -  |
| E-33 | -   | E-42 | -  |
| E-34 | -   | E-43 | Rear fog lamp  |
|      |   | E-44 | Roof wiring harness and rear fog lamp wiring harness combination |

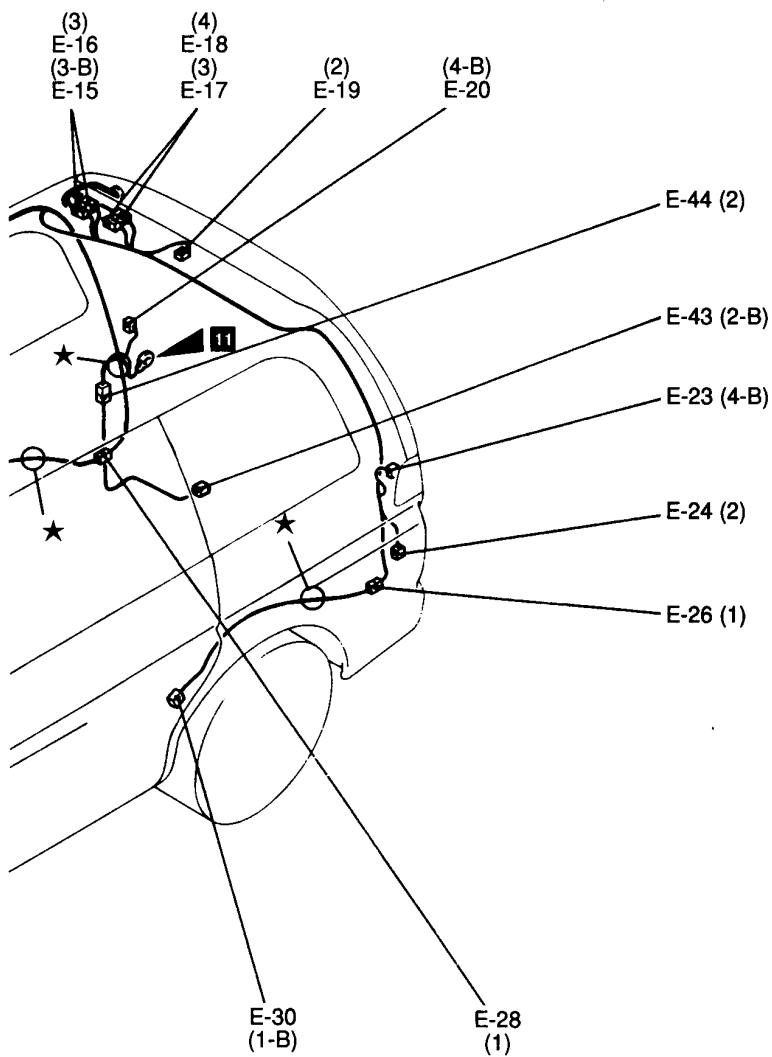
ROOF AND REAR SIDE

120002487

R.H. drive vehicles



- |      |   |      |   |
|------|---|------|---|
| E-01 | Front room lamp   | E-16 | Tailgate wiring harness and roof wiring harness combination |
| E-02 | -   | E-17 | Tailgate wiring harness and roof wiring harness combination |
| E-03 | -   | E-18 | Tailgate wiring harness and roof wiring harness combination |
| E-04 | -   | E-19 | Cargo room lamp   |
| E-05 | -   | E-20 | Rear combination lamp (RH)                                  |
| E-06 | Slide door switch (RH)                                      | E-21 | -   |
| E-07 | -   | E-22 | -   |
| E-08 | -   | E-23 | Rear combination lamp (LH)                                  |
| E-09 | Rear room lamp  | E-24 | Rear washer motor   |
| E-10 | -   | E-25 | -   |
| E-11 | -   |      |   |
| E-12 | -   |      |   |
| E-13 | -   |      |   |
| E-14 | -   |      |   |
| E-15 | Tailgate wiring harness and roof wiring harness combination |      |   |



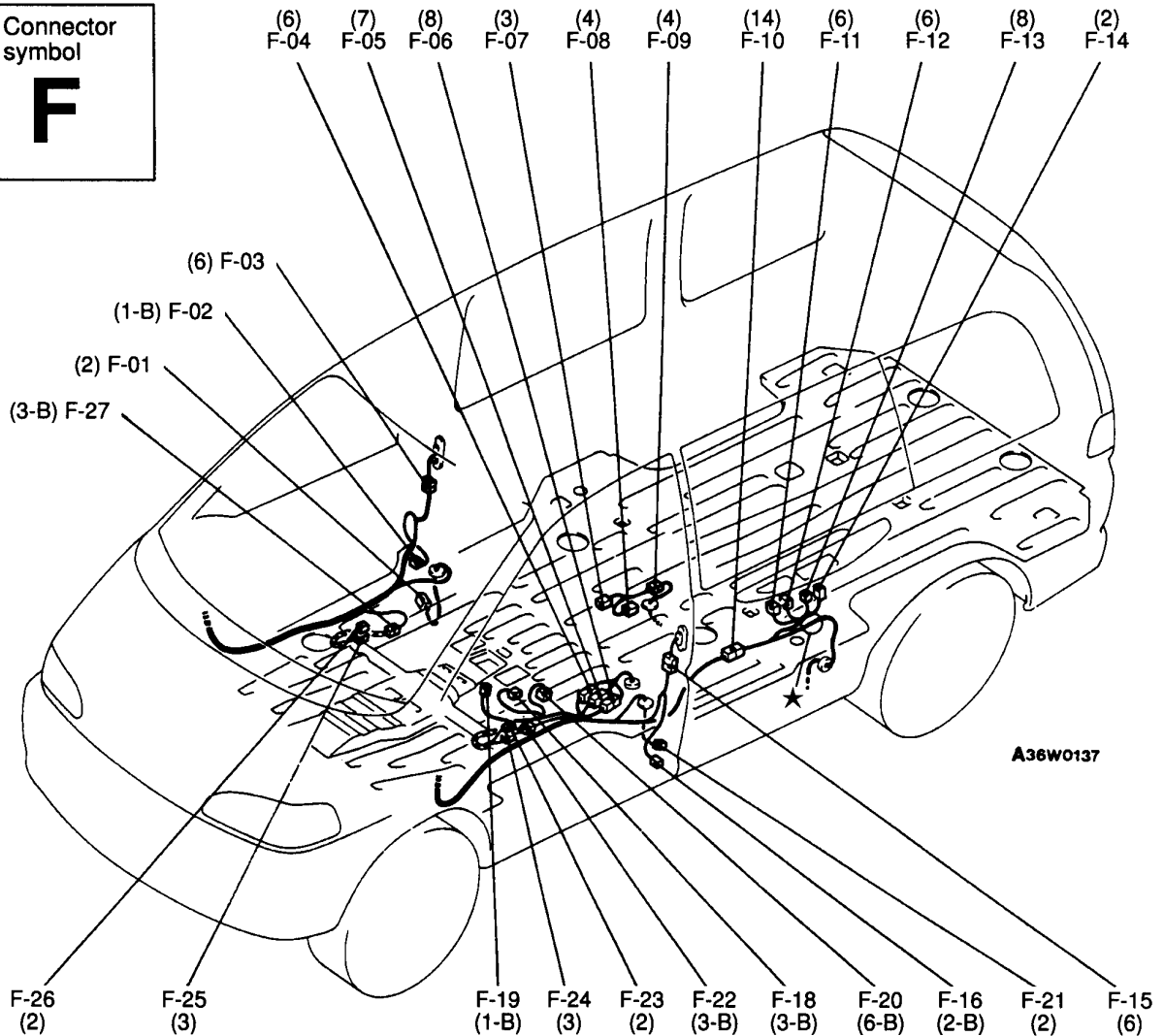
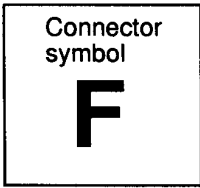
A36W0132

E-26	Door switch wiring harness (LH) and roof wiring harness combination	E-35	-
E-27	-	E-36	-
E-28	Door switch wiring harness (RH) and roof wiring harness combination	E-37	-
E-29	-	E-38	-
E-30	Slide door switch (LH)	E-39	-
E-31	-	E-40	-
E-32	-	E-41	-
E-33	-	E-42	-
E-34	-	E-43	Rear fog lamp
		E-44	Roof wiring harness and rear fog lamp wiring harness combination



FLOOR AND REAR SIDE

L.H. drive vehicles



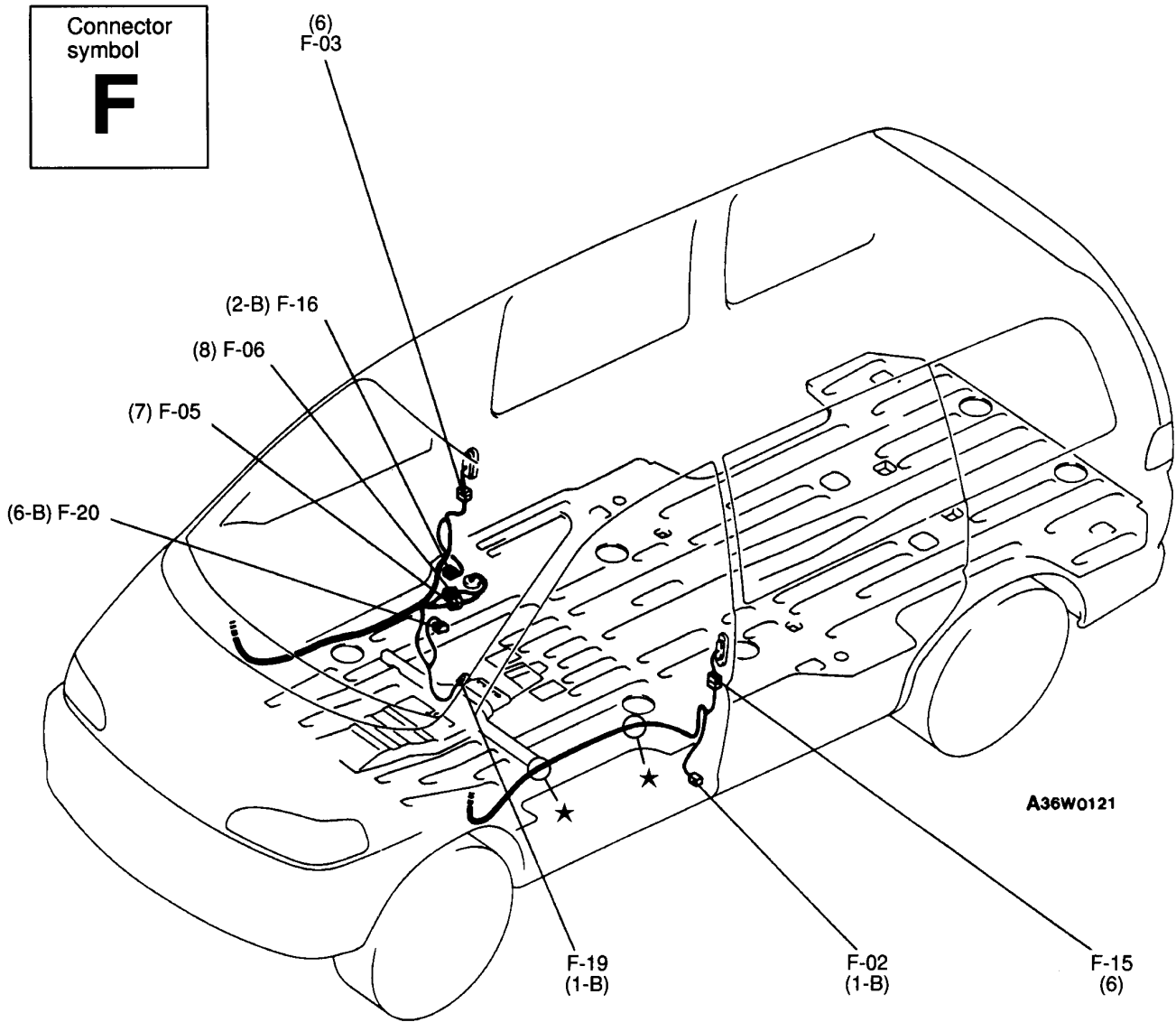
A36W0137

- |      |  |      |   |
|------|--|------|---|
| F-01 | Step lamp (RH)   | F-13 | Rear blower switch <Built-in type rear heater>                          |
| F-02 | Front door switch (passenger's side)   | F-14 | Rear blower control panel illumination lamp <Built-in type rear heater> |
| F-03 | Contact switch (RH)  | F-15 | Contact switch (LH)   |
| F-04 | Fuel wiring harness and body wiring harness combination <Under seat type rear heater>              | F-16 | Front door switch (driver's side)                                       |
| F-05 | Fuel wiring harness and body wiring harness combination <ABS>                                      | F-17 | -   |
| F-06 | Fuel wiring harness and body wiring harness combination  | F-18 | ABS G sensor <4WD>  |
| F-07 | Rear blower motor <Under seat type rear heater>  | F-19 | Parking brake switch  |
| F-08 | Rear blower motor relay (LO) <Under seat type rear heater>   | F-20 | Engine oil level relay  |
| F-09 | Rear blower wiring harness and fuel gauge wiring harness combination <Under seat type rear heater> | F-21 | Step lamp (LH)  |
| F-10 | Rear heater wiring harness and body wiring harness combination <Built-in type rear heater>         | F-22 | Heated seat wiring harness (LH) and body wiring harness combination     |
| F-11 | Rear heater switch <Built-in type rear heater>   | F-23 | Seat back heater (LH)   |
| F-12 | Rear A/C switch <Built-in type A/C>  | F-24 | Seat cushion heater (LH)  |
|      |  | F-25 | Seat cushion heater (RH)  |
|      |  | F-26 | Seat back heater (RH)   |
|      |  | F-27 | Heated seat wiring harness (RH) and body wiring harness combination     |

FLOOR AND REAR SIDE

120002489

R.H. drive vehicles

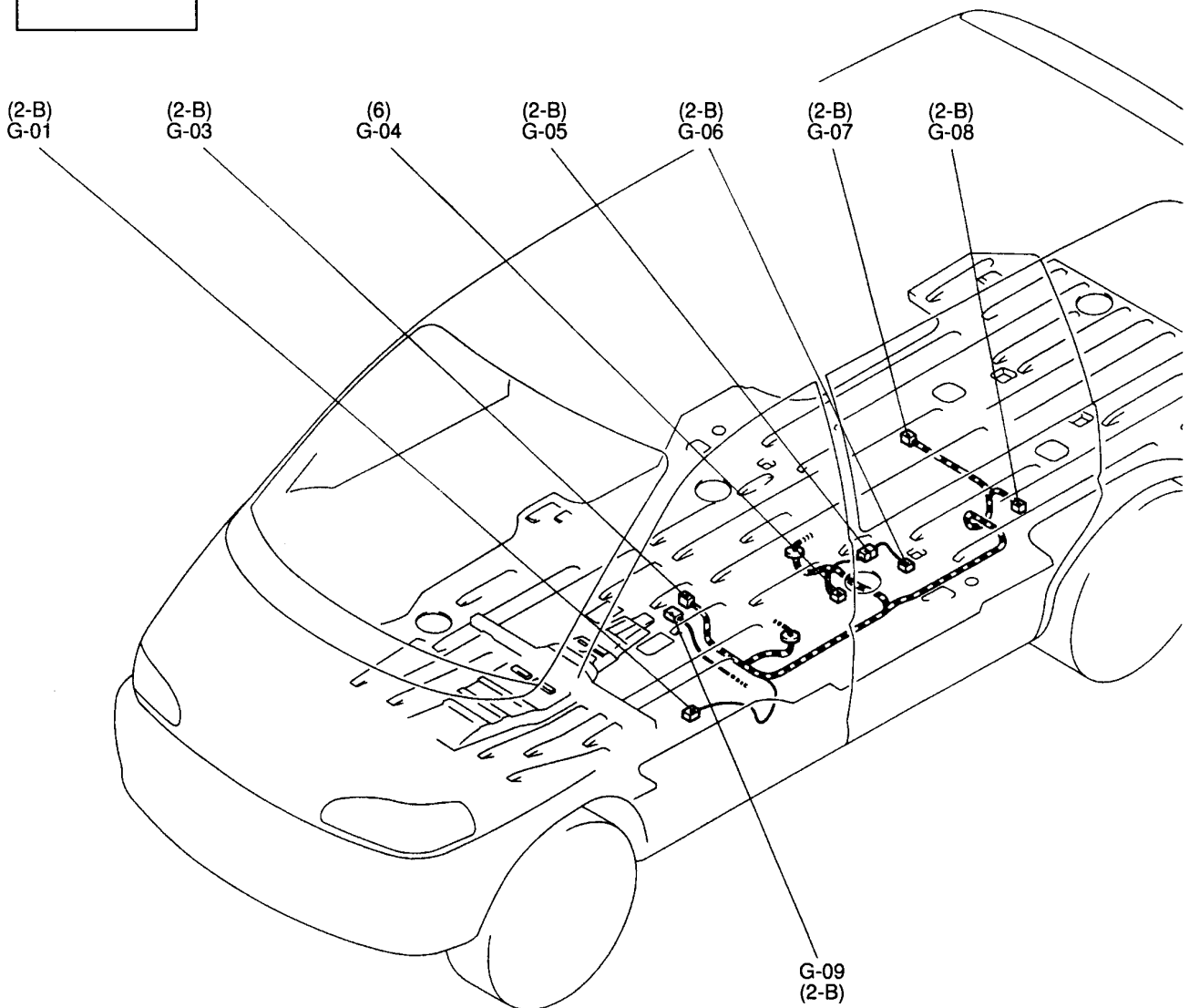
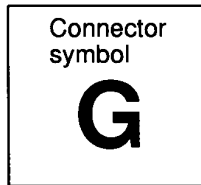


- F-01 -
- F-02 Front door switch (passenger's side)
- F-03 Contact switch (RH)
- F-04 -
- F-05 Fuel wiring harness and body wiring harness combination <ABS>
- F-06 Fuel wiring harness and body wiring harness combination
- F-07 -
- F-08 -
- F-09 -

- F-10 -
- F-11 -
- F-12 -
- F-13 -
- F-14 -
- F-15 Contact switch (LH)
- F-16 Front door switch (driver's side)
- F-17 -
- F-18 -
- F-19 Parking brake switch
- F-20 Engine oil level relay

## UNDER FLOOR

L.H. drive vehicles

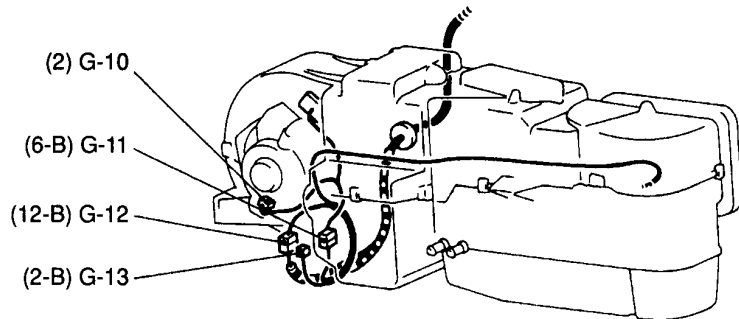


- G-01 Side condenser fan motor
- G-02 -
- G-03 Rear A/C magnetic valve <Overhead type A/C>
- G-04 Fuel gauge unit
- G-05 Fuel pump wiring harness and fuel gauge wiring harness combination <Petrol>
- G-06 Fuel pump <Petrol>
- G-07 Rear wheel speed sensor (RH) <ABS>
- G-08 Rear wheel speed sensor (LH) <ABS>
- G-09 Rear A/C magnetic valve <Built-in type A/C>



**Built-in type rear heater and A/C unit Assembly**

36W0073



36W0069

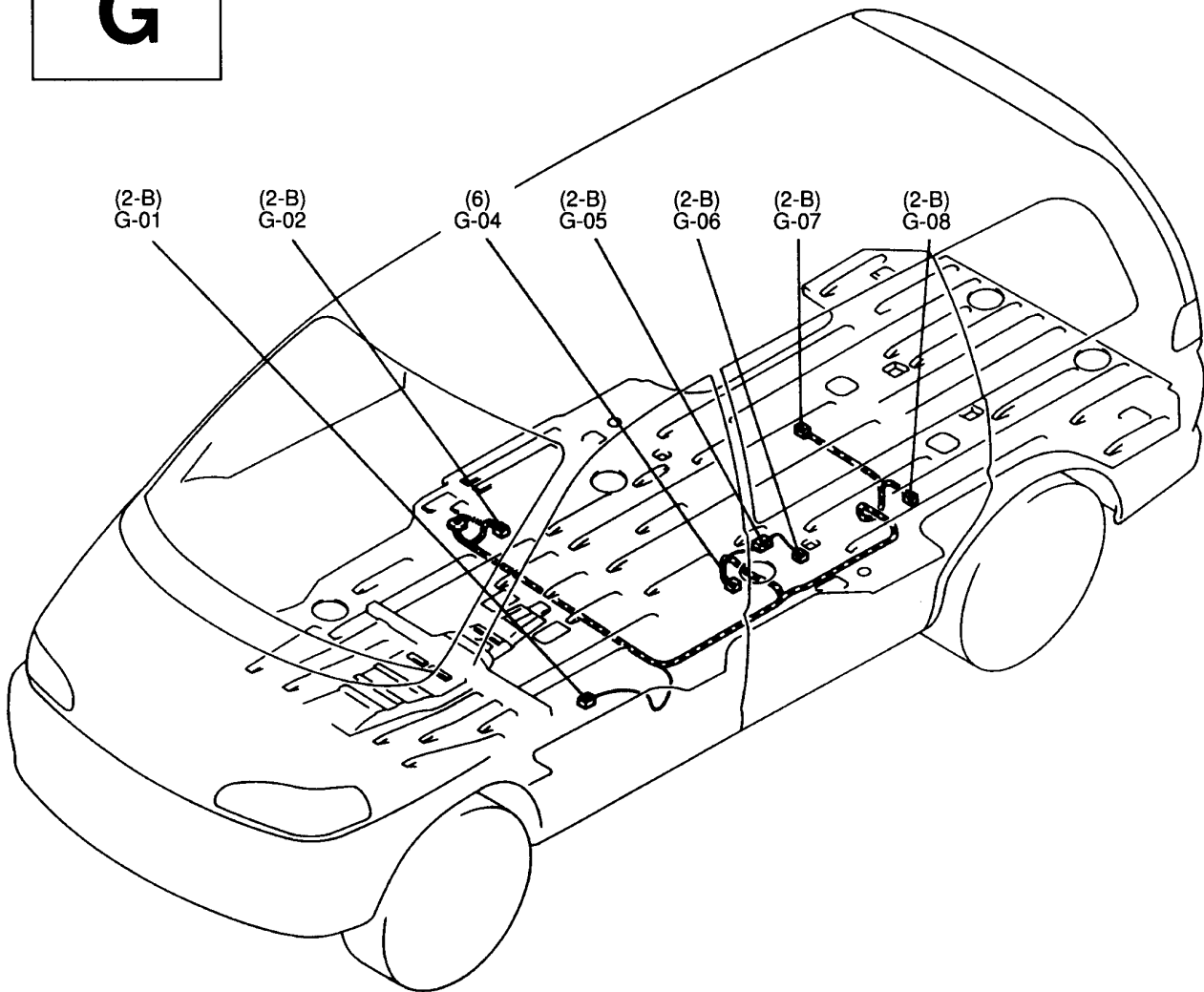
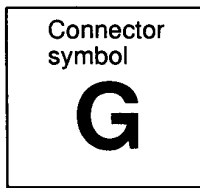
00001489

- G-10 Rear blower motor
- G-11 Rear blower wiring harness and rear A/C wiring harness combination
- G-12 Rear A/C wiring harness and rear heater wiring harness combination
- G-13 Rear air thermo sensor <A/C>

## UNDER FLOOR

120002491

R.H. drive vehicles



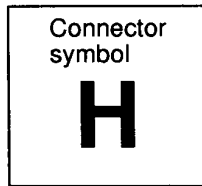
A36W0122

- G-01 No connection
- G-02 No connection
- G-03 -
- G-04 Fuel gauge unit
- G-05 Fuel pump wiring harness and fuel gauge wiring  
harness combination <Petrol>
- G-06 Fuel pump <Petrol>
- G-07 Rear wheel speed sensor (RH) <ABS>
- G-08 Rear wheel speed sensor (LH) <ABS>

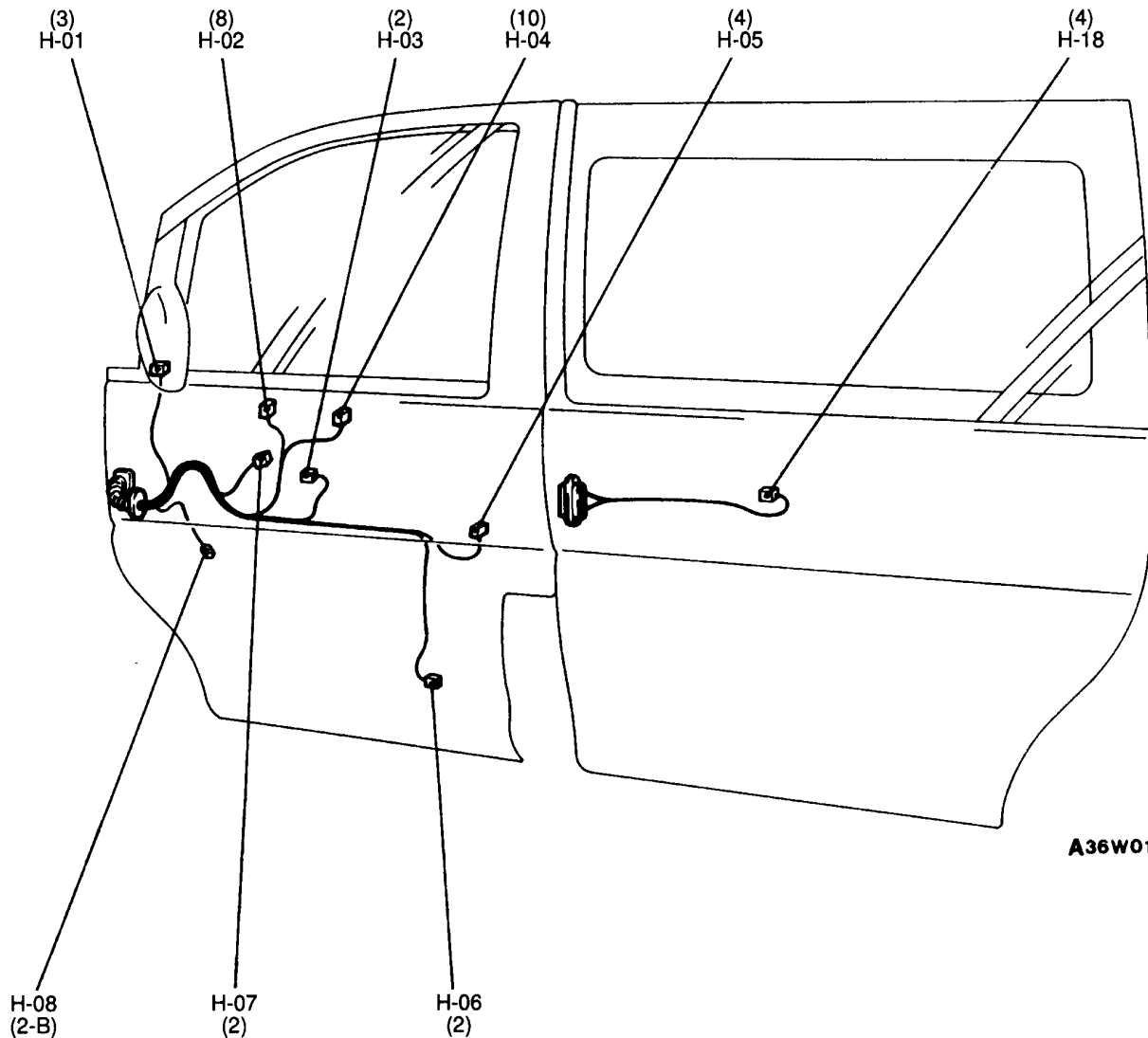
NOTES

## DOOR

## L.H. drive vehicles



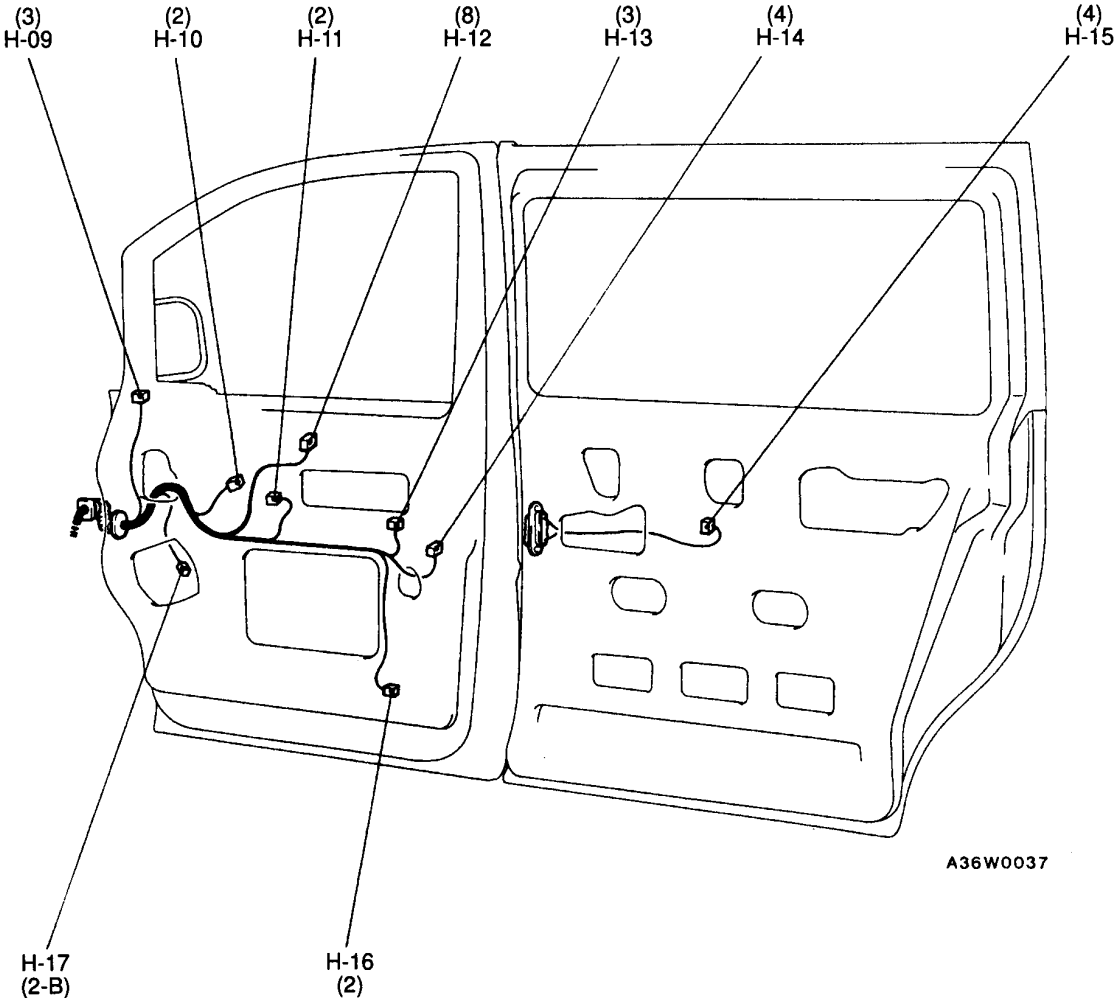
Driver's side



A36W0124

H-01	Remote controlled mirror (driver's side)	H-10	Power window limit switch (passenger's side)
H-02	Remote controlled mirror switch	H-11	Power window motor (passenger's side)
H-03	Power window motor (driver's side)	H-12	Power window sub switch
H-04	Power window main switch	H-13	Door lock key cylinder switch
H-05	Front door lock actuator (driver's side)	H-14	Front door lock actuator (passenger's side)
H-06	Front door lamp (driver's side)	H-15	Slide door lock actuator (passenger's side)
H-07	Power window limit switch (driver's side)	H-16	Front door lamp (passenger's side)
H-08	Door speaker (driver's side)	H-17	Door speaker (passenger's side)
H-09	Remote controlled mirror (passenger's side)	H-18	Slide door lock actuator (driver's side)

Passenger's side



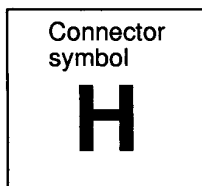
A36W0037



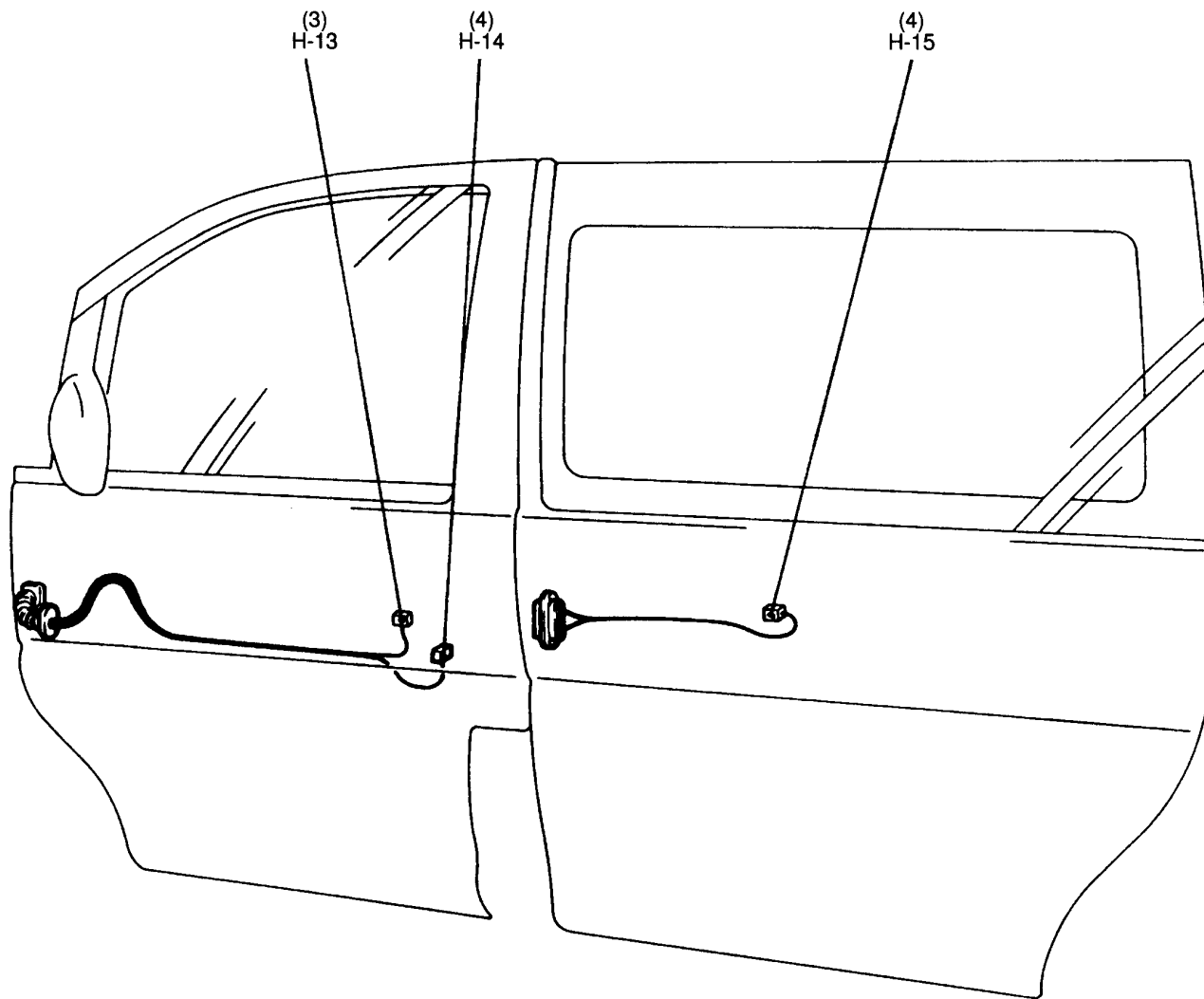
DOOR

120002493

R.H. drive vehicles



Passenger's side

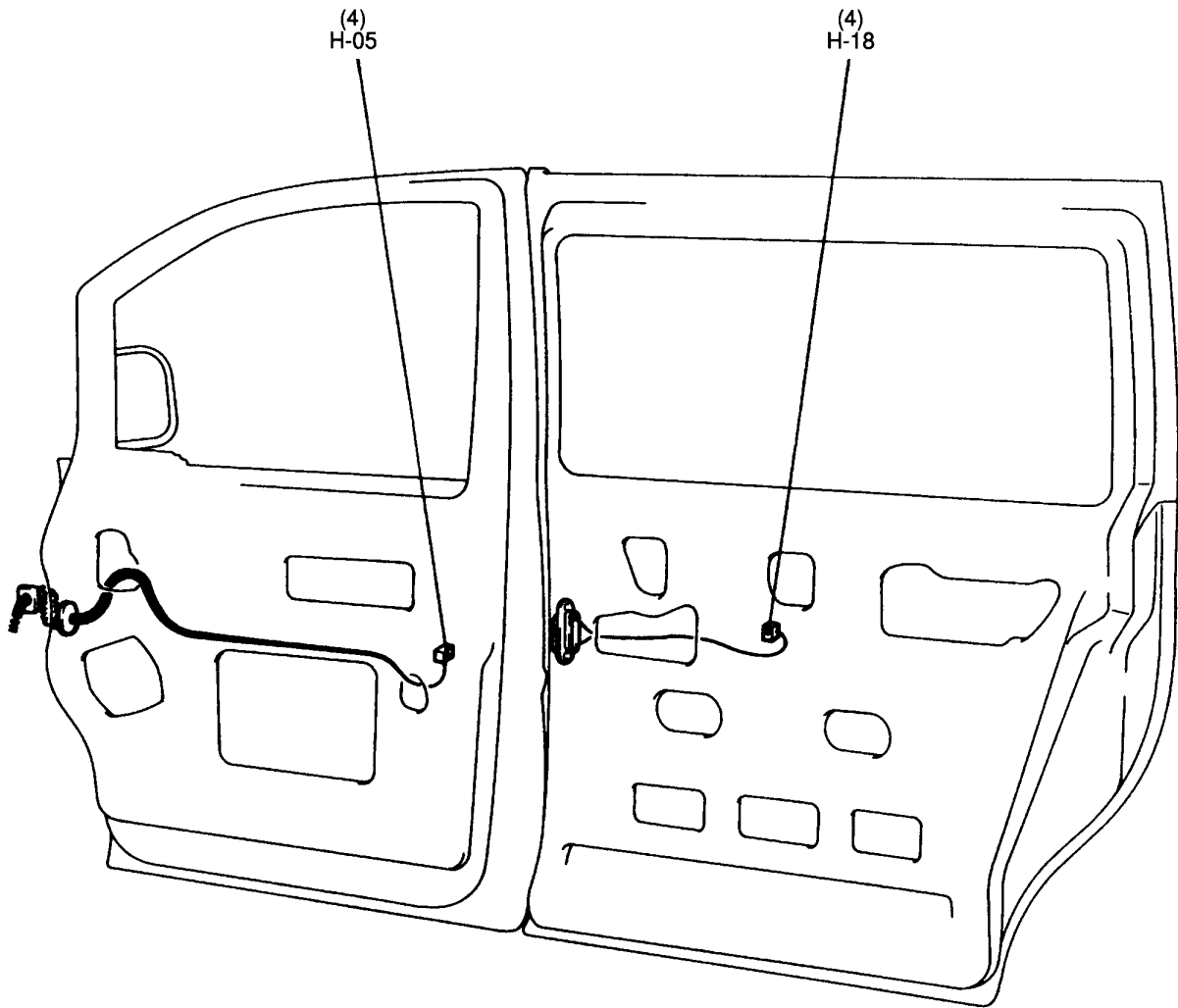


A36W0125

- H-01 -
- H-02 -
- H-03 -
- H-04 -
- H-05 Front door lock actuator (driver's side)
- H-06 -
- H-07 -
- H-08 -
- H-09 -

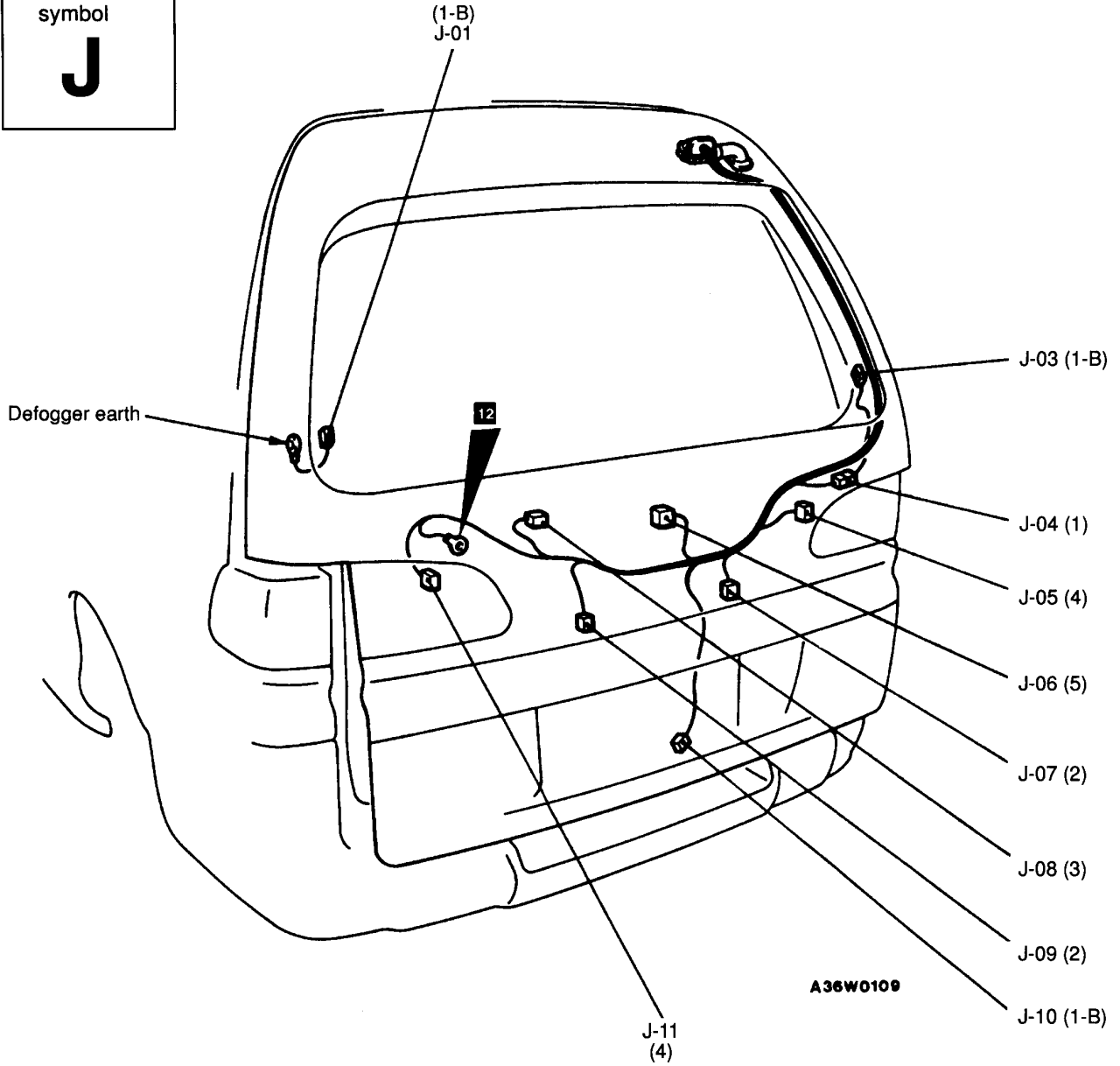
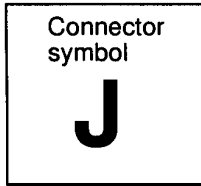
- H-10 -
- H-11 -
- H-12 -
- H-13 Door lock key cylinder switch
- H-14 Front door lock actuator (passenger's side)
- H-15 Slide door lock actuator (passenger's side)
- H-16 -
- H-17 -
- H-18 Slide door lock actuator (driver's side)

Driver's side



A36W0126

TAILGATE



- J-01 Defogger (-)
- J-02 -
- J-03 Defogger (+)
- J-04 Defogger cable (+) and tailgate wiring harness combination
- J-05 Tailgate lamp (RH)

- J-06 Tailgate lock actuator
- J-07 Licence plate lamp (RH)
- J-08 Rear wiper motor
- J-09 Licence plate lamp (LH)
- J-10 Tailgate switch
- J-11 Tailgate lamp (LH)

### **3 SINGLE PART INSTALLATION POSITION**

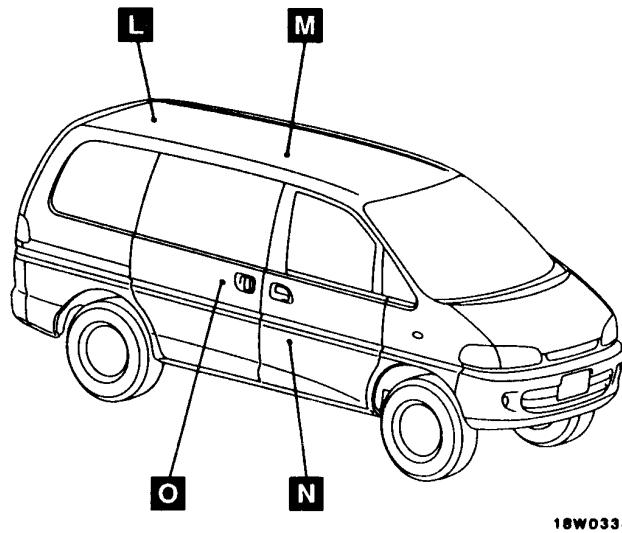
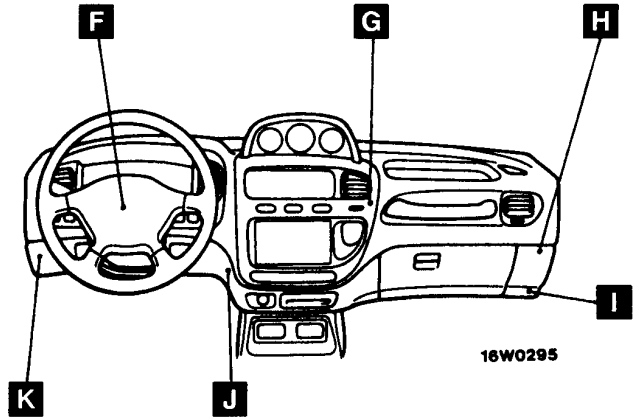
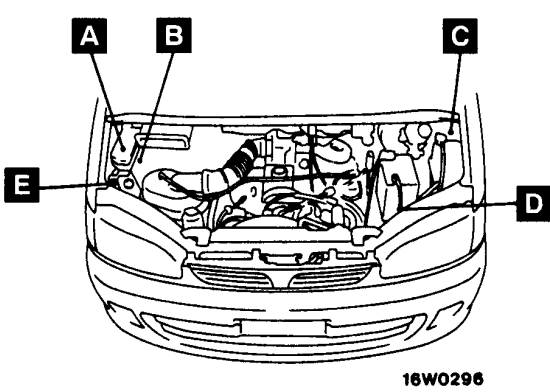
120002495

<b>RELAY</b> .....	<b>3-2</b>
<b>ECU</b> .....	<b>3-6</b>
<b>SENSOR</b> .....	<b>3-8</b>
<b>SOLENOID AND SOLENOID VALVE</b> .....	<b>3-12</b>
<b>DIODE</b> .....	<b>3-15</b>
<b>INSPECTION CONNECTOR</b> .....	<b>3-17</b>
<b>FUSIBLE LINK AND FUSE</b> .....	<b>3-18</b>
<b>EARTH CABLE</b> .....	<b>3-19</b>
<b>EARTH</b> .....	<b>3-21</b>

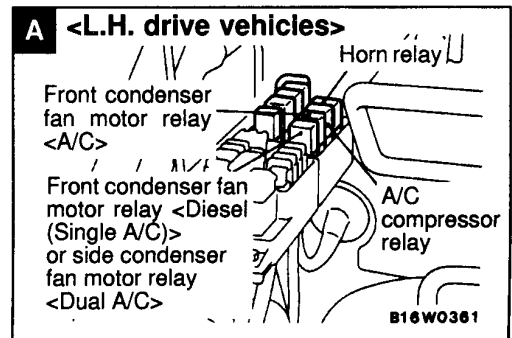
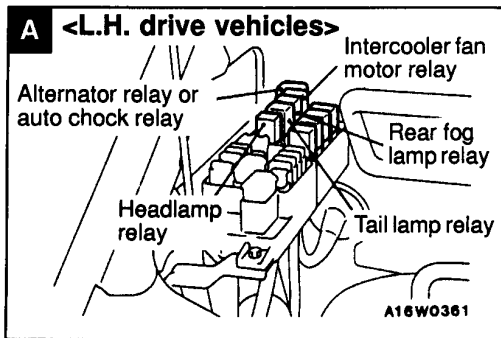
## RELAY

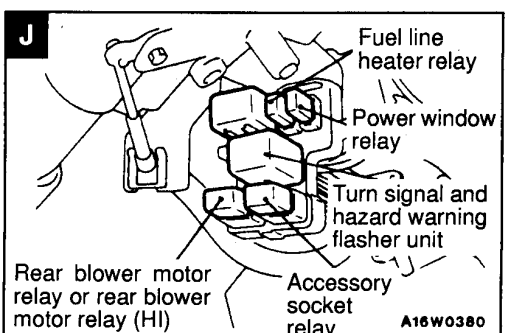
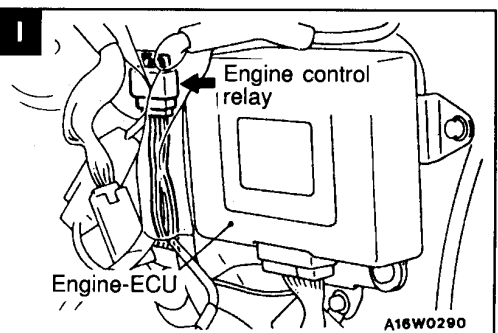
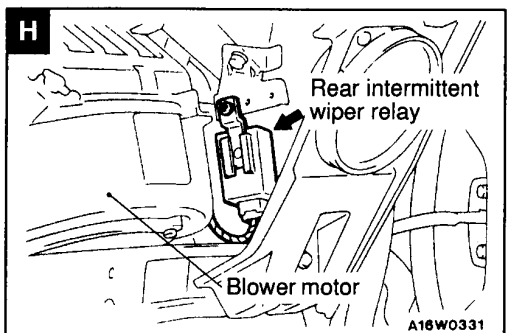
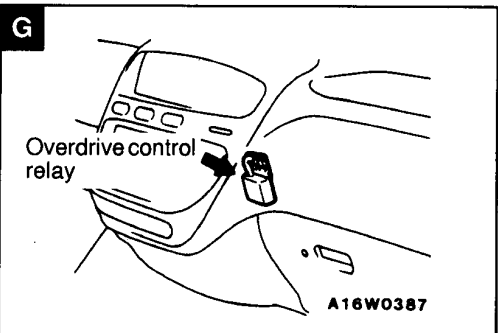
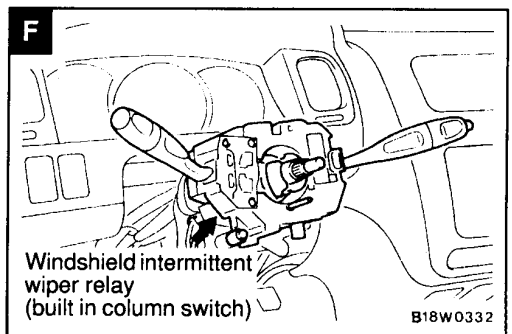
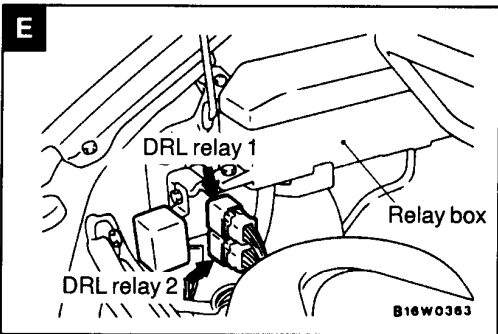
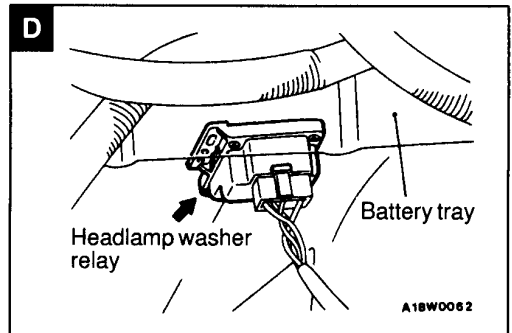
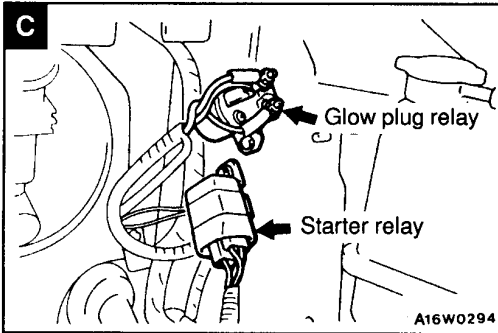
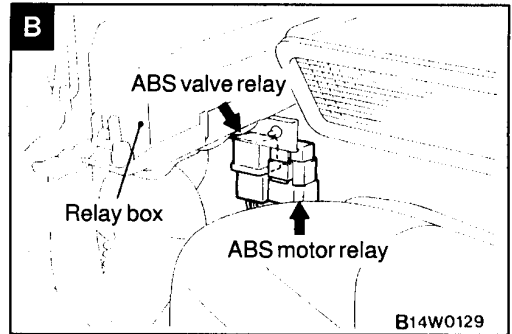
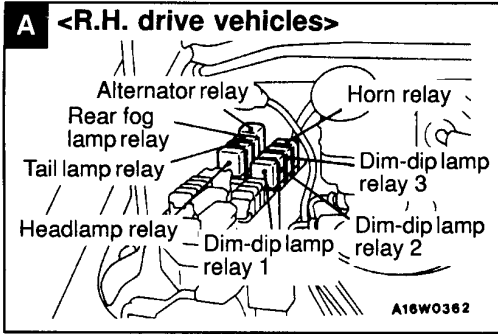
120002496

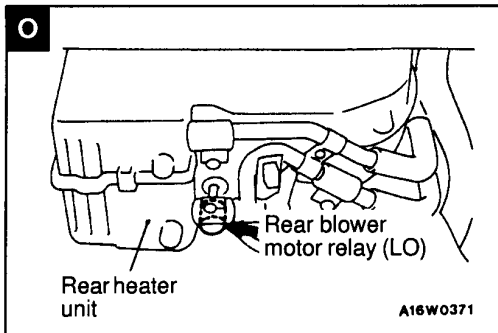
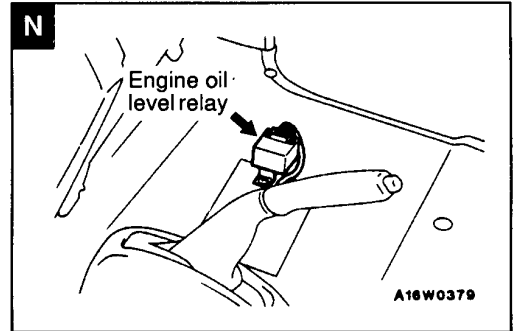
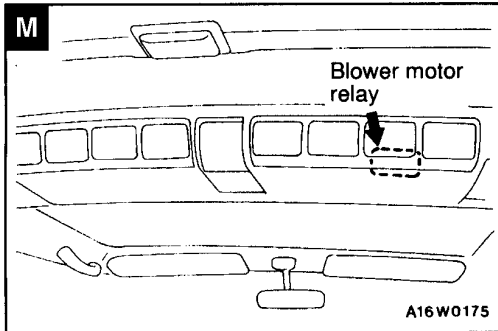
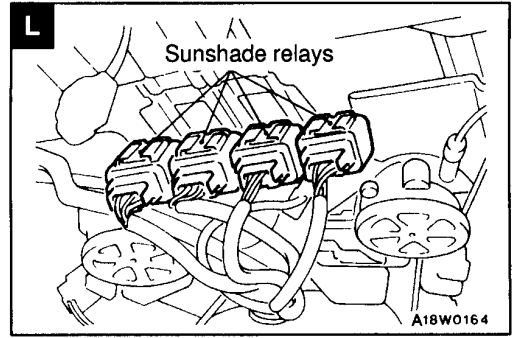
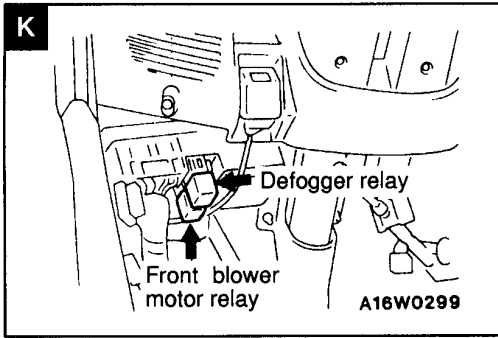
Name	Symbol	Name	Symbol
ABS motor relay	B	Headlamp relay	A
ABS valve relay	B	Headlamp washer relay	D
A/C compressor relay	A	Horn relay <SRS>	A
Accessory socket relay	J	Intercooler fan motor relay	A
Alternator relay <MPI and diesel>	A	Overdrive control relay <A/T>	G
Auto choke relay <Electronically-controlled carburettor>	A	Power window relay	J
Blower motor relay <Vehicles with overhead cooling unit>	M	Rear blower motor relay <Built-in type rear heater>	J
Defogger relay	K	Rear blower motor relay (HI) <Under seat type rear heater>	J
Dim-dip lamp relay 1, 2, 3	A	Rear blower motor relay (LO) <Under seat type rear heater>	O
DRL relay 1, 2	E	Rear fog lamp relay	A
Engine control relay <MPI>	I	Rear intermittent wiper relay	H
Engine oil level relay	N	Side condenser fan motor relay <Dual A/C>	A
Front blower motor relay	K	Starter relay <Petrol-A/T and Diesel>	C
Front condenser fan motor relay <A/C>	A	Sunshade relays	L
Front condenser fan motor relay <Diesel (single A/C)>	A	Tail lamp relay	A
Fuel line heater relay	J	Turn signal and hazard warning flasher unit	J
Glow plug relay <Diesel>	C	Windshield intermittent wiper relay (built in column switch)	F



00003218





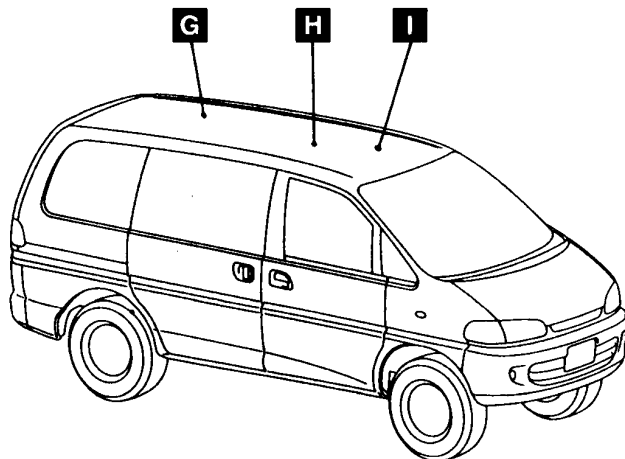
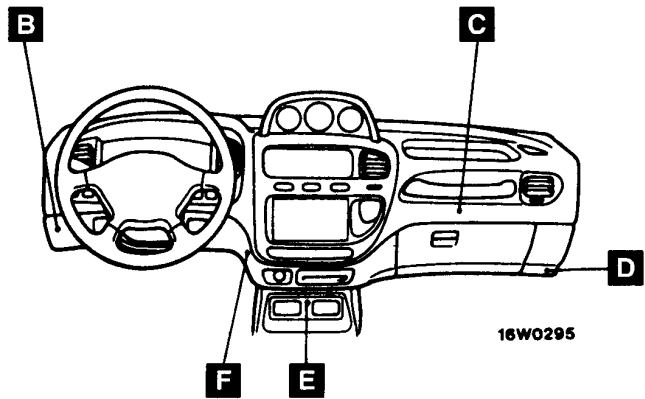
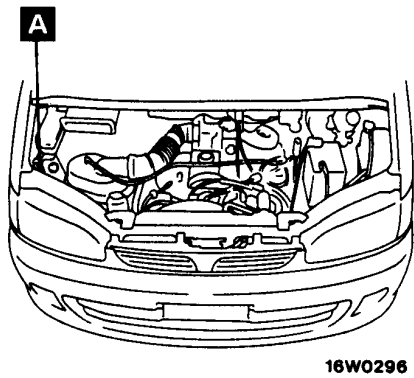




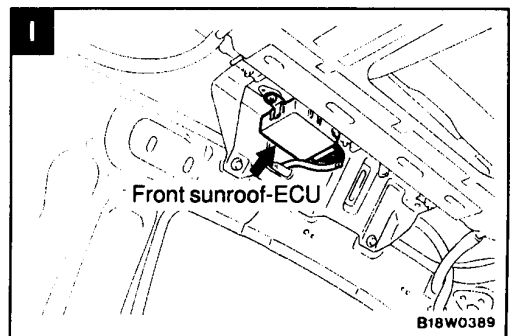
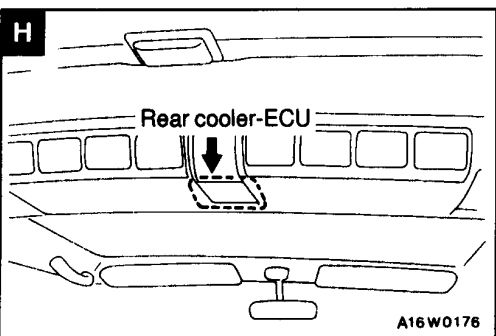
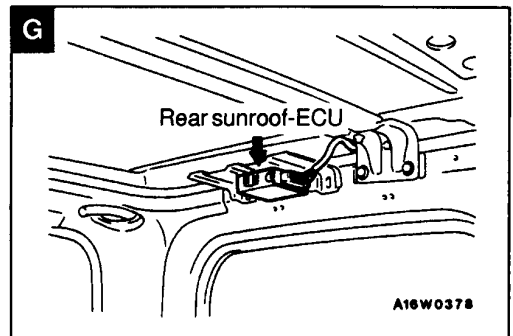
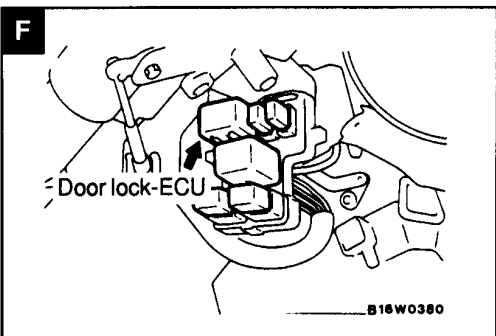
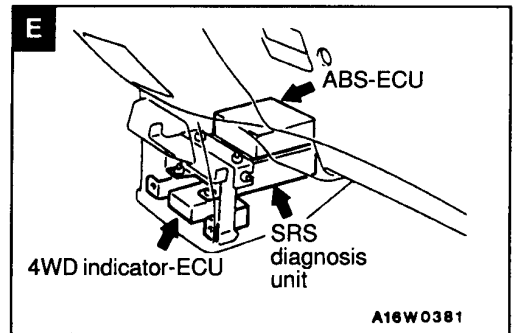
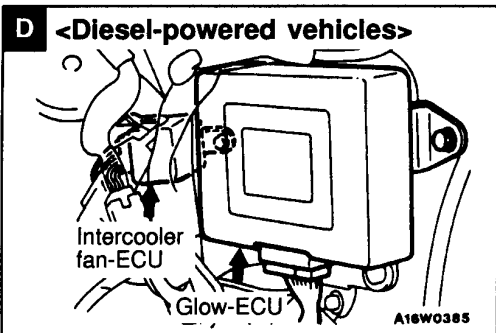
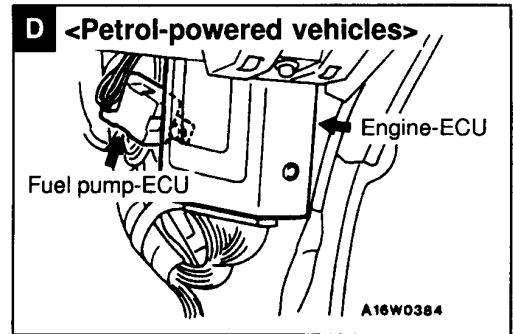
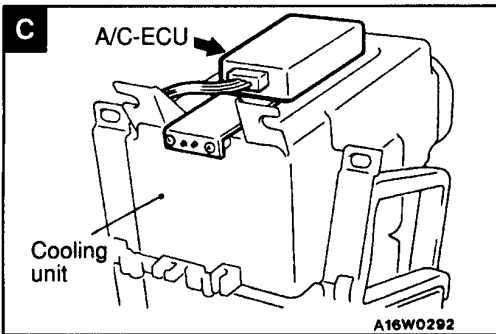
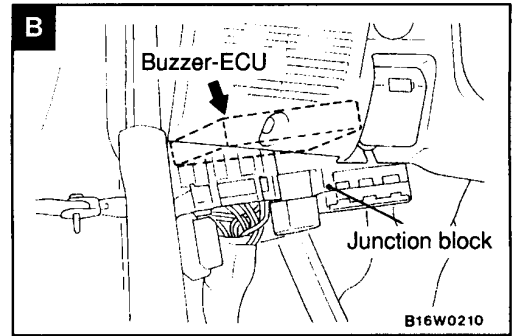
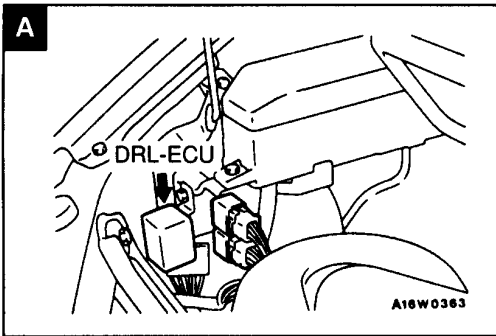
ECU

120002497

Name	Symbol	Name	Symbol
ABS-ECU	E	Front sunroof-ECU	I
A/C-ECU <Dual A/C>	C	Fuel pump-ECU <Electronically-controlled carburettor>	D
Buzzer-ECU	B	Glow-ECU <Diesel>	D
Door lock-ECU	F	Intercooler fan-ECU	D
DRL-ECU	A	Rear cooler-ECU <Vehicles with overhead cooling unit>	H
Engine-ECU <Electronically-controlled carburettor and MPI>	F	Rear sunroof-ECU	G
4WD indicator-ECU	E	SRS diagnosis unit	E



00003219

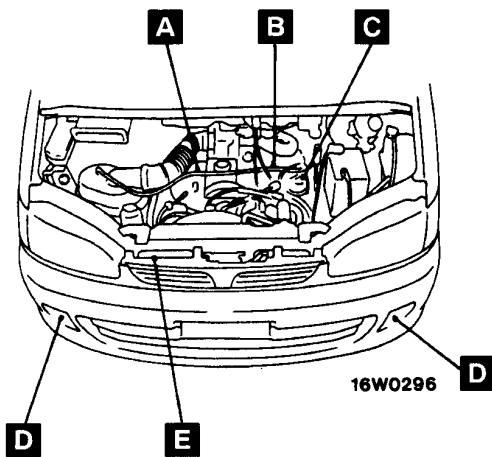


**SENSOR**

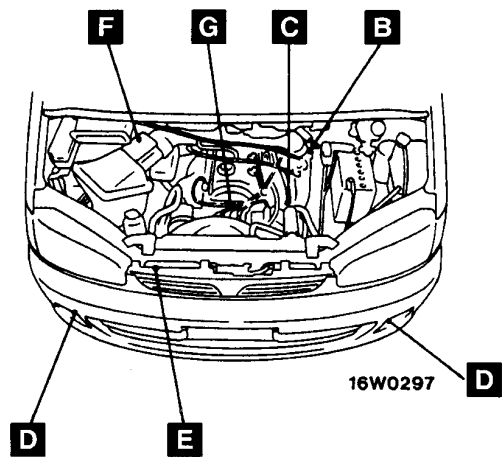
12000643

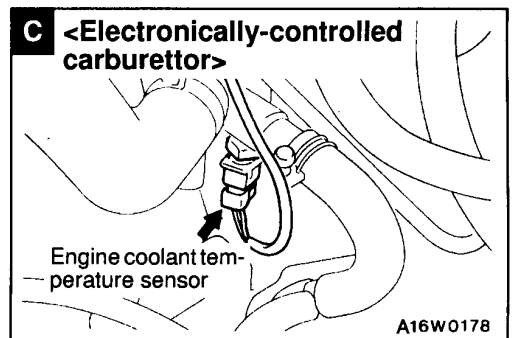
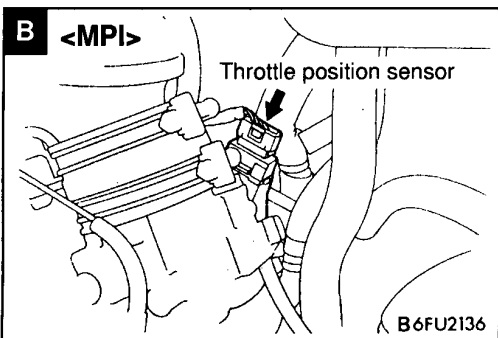
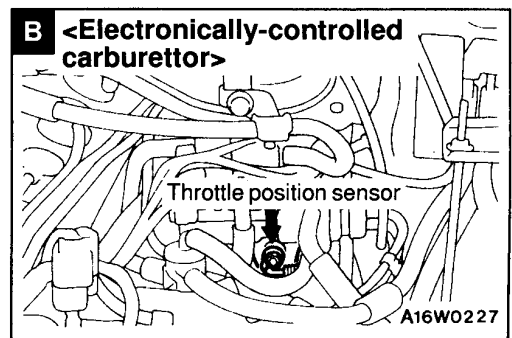
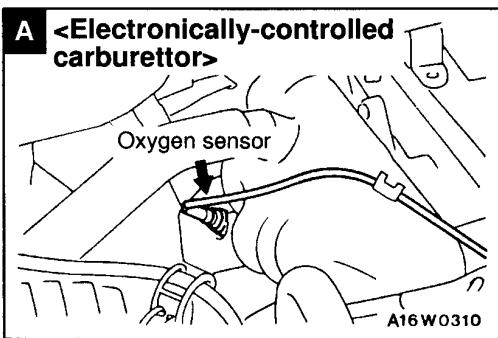
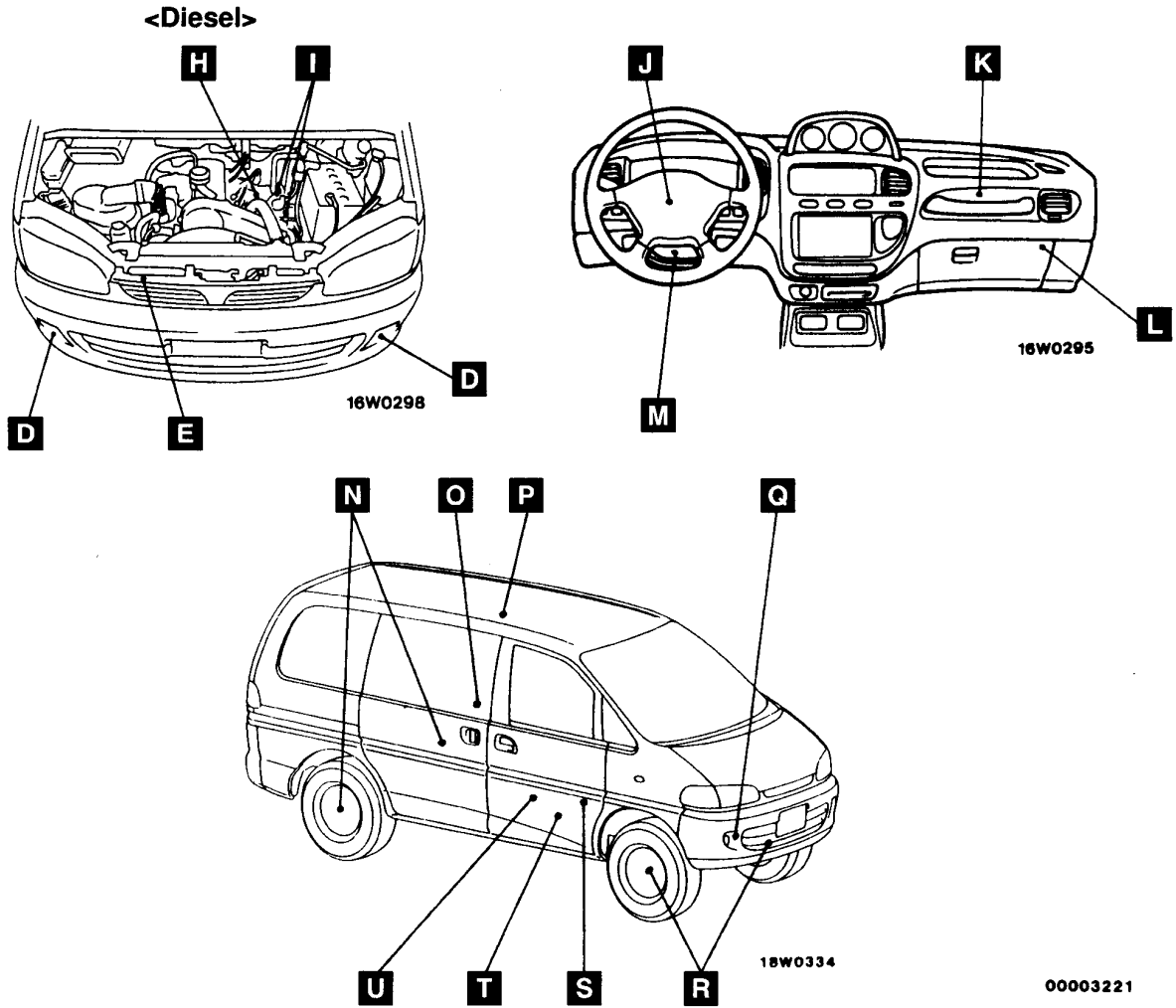
Name	Symbol	Name	Symbol
ABS G sensor <4WD>	U	Oxygen sensor	<Electronically-controlled carburettor> A
Air flow sensor <MPI>	F		<MPI> S
Crank angle sensor and top dead centre sensor (built in distributor) <MPI>	G	Rear air thermo sensor <Built-in type A/C>	O
Engine coolant temperature gauge unit and sensor <Diesel>	H	Rear air thermo sensor <Vehicles with overhead cooling unit>	P
		Rear wheel speed sensor <ABS>	N
Engine coolant temperature sensor <Electronically-controlled carburettor and MPI>	C	Revolution pick up sensor <Diesel>	I
		Steering wheel sensor <ABS>	J
Engine oil level sensor	E	Thermo sensor (Inside) <Multi-meter>	M
Front air thermo sensor <A/C>	L	Thermo sensor (Outside) <Multi-meter>	Q
Front impact sensor <SRS>	D	Thermostat <Single A/C>	K
Front wheel speed sensor <ABS>	R	Throttle position sensor <Electronically-controlled carburettor and MPI>	B
Lever (throttle) position sensor <Diesel>	I	Vehicle speed sensor	T

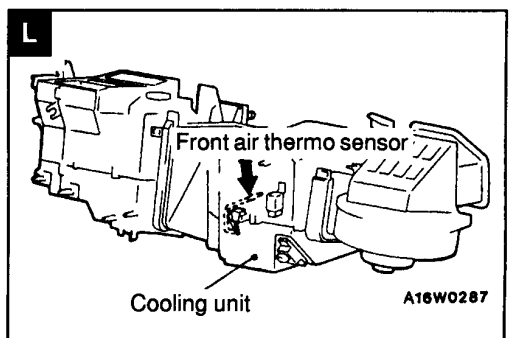
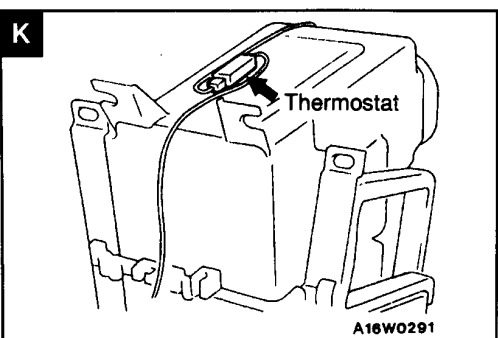
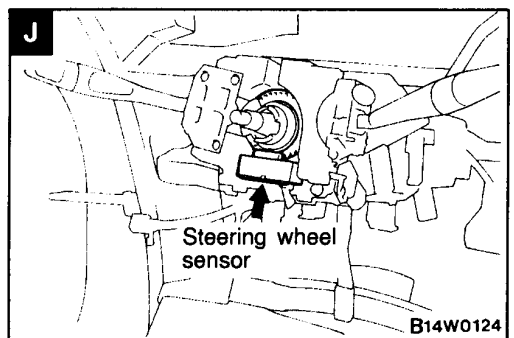
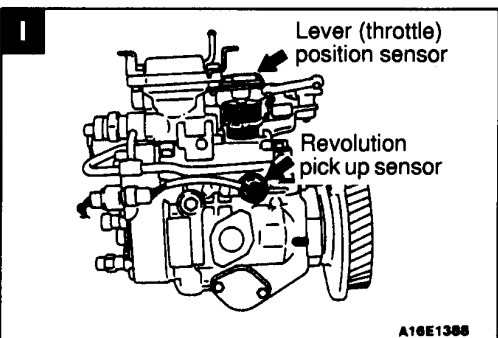
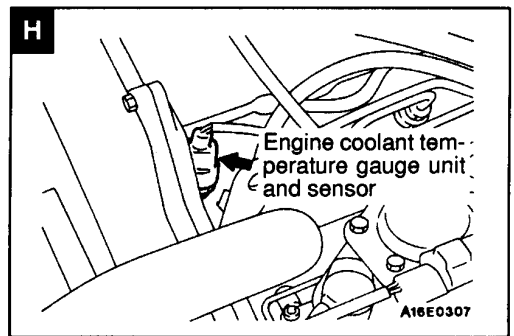
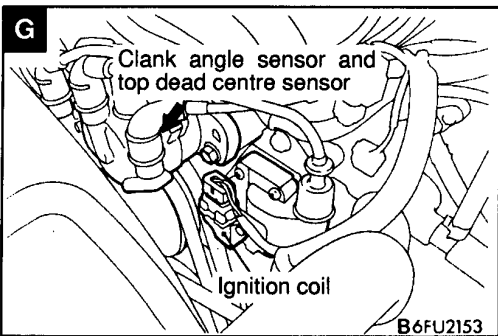
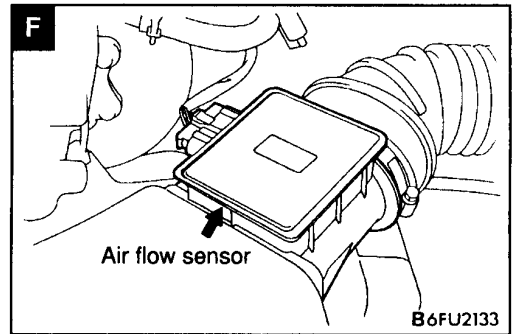
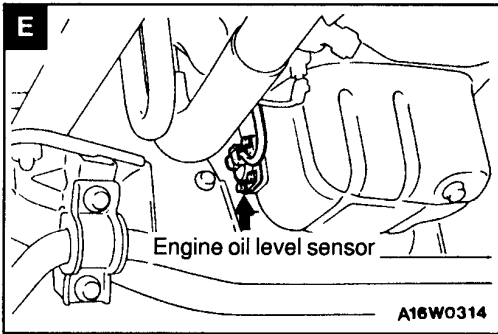
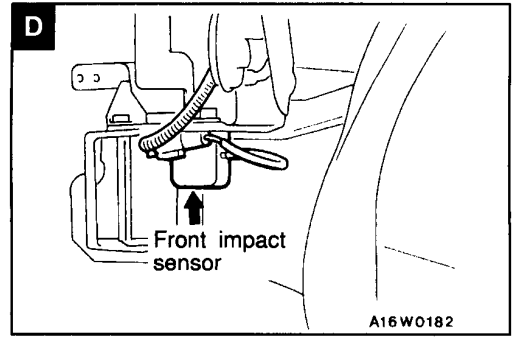
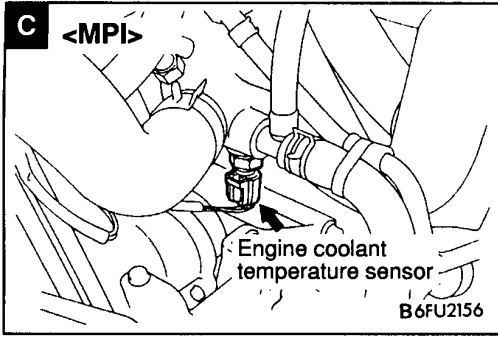
<Electronically-controlled carburettor>

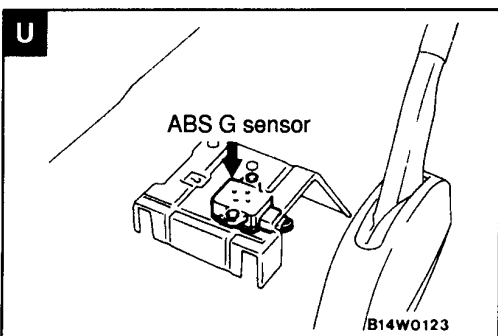
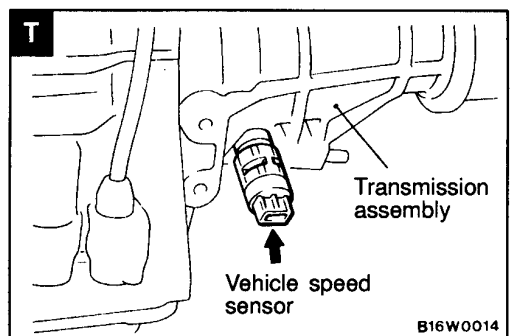
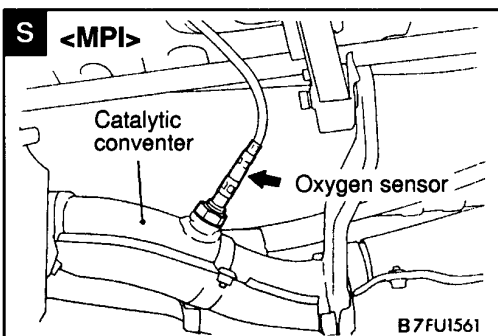
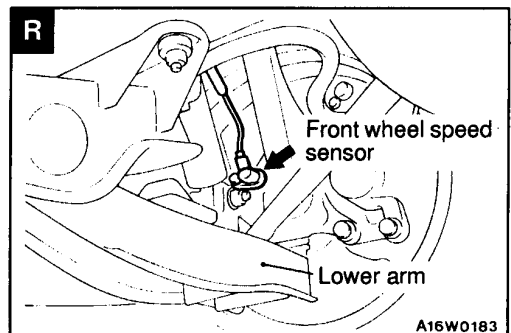
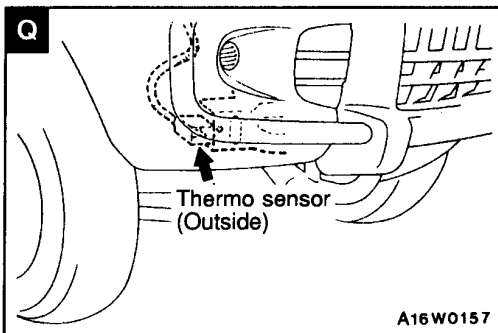
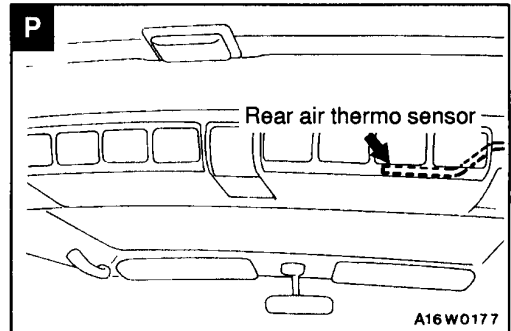
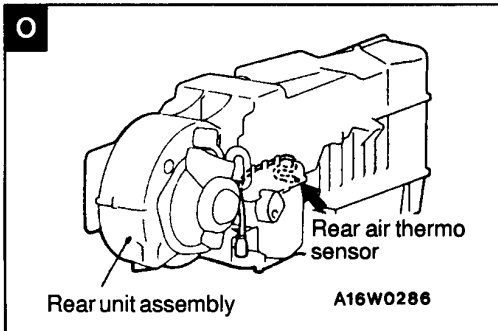
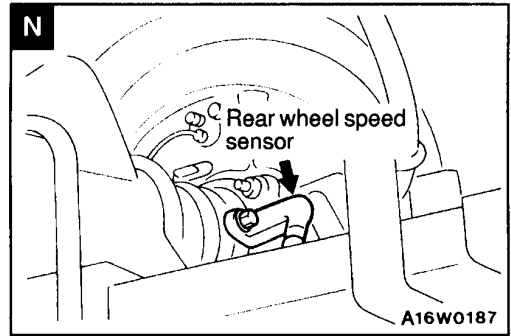
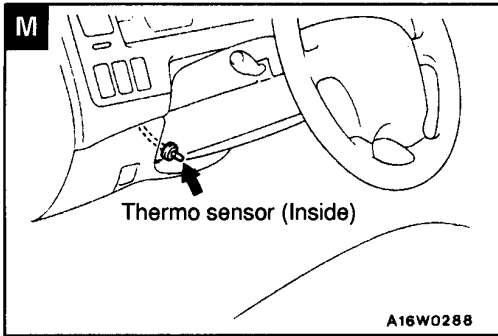


<MPI>







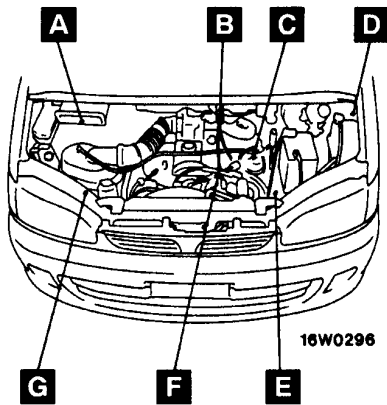


**SOLENOID AND SOLENOID VALVE**

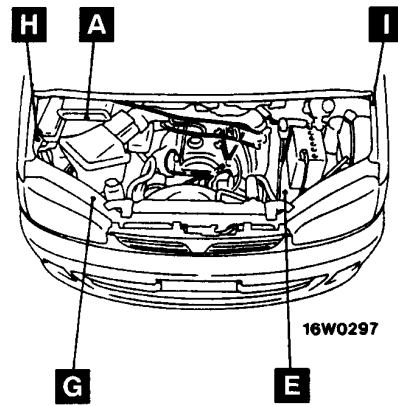
120002499

Name	Symbol	Name	Symbol
ABS solenoid valve (built in hydraulic unit)	G	Idle-up solenoid valve (ABS) <Electronically-controlled carburettor>	B
A/C compressor magnetic valve <Dual A/C>	E	Idle-up solenoid valve (A/C) <Electronically-controlled carburettor and diesel>	B
Air solenoid valve <Electronically-controlled carburettor>	D	Overdrive solenoid valve <A/T>	L
EGR solenoid valve <MPI>	I	Rear A/C magnetic valve <Built-in type A/C>	M
EGR solenoid valve 1, 2 <Diesel>	J	Rear A/C magnetic valve <Overhead type A/C>	N
Feedback solenoid valve <Electronically-controlled carburettor>	C	Slow cut solenoid valve <Electronically-controlled carburettor>	F
Front A/C magnetic valve <Dual A/C>	A	Solenoid valve (A), (B) <4WD>	H
Fuel cut solenoid valve <Diesel>	K	Purge control solenoid valve <MPI>	I

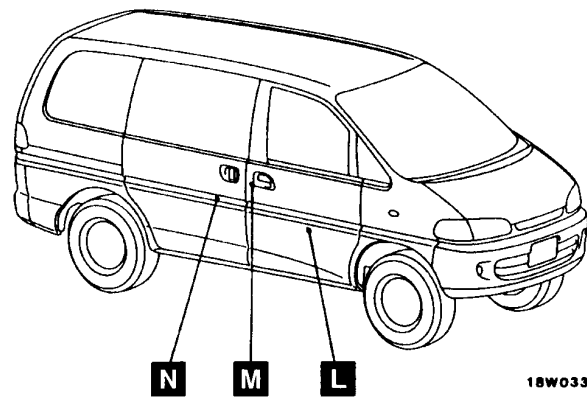
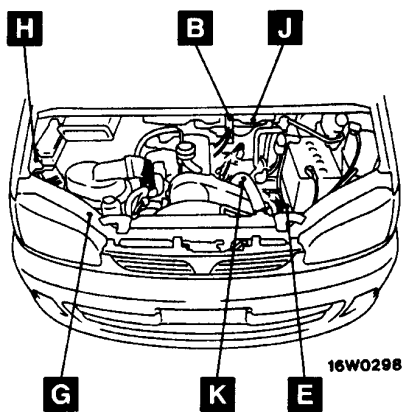
**<Electronically-controlled carburettor>**

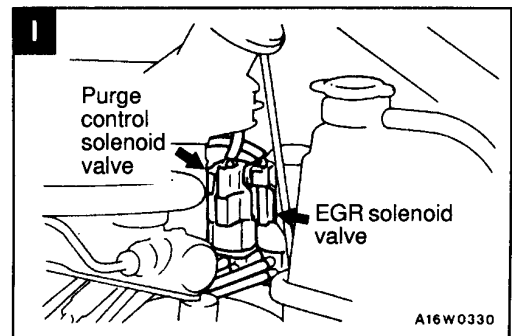
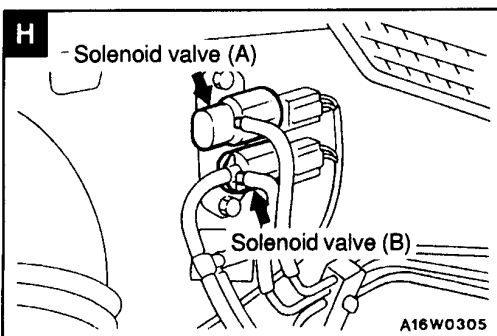
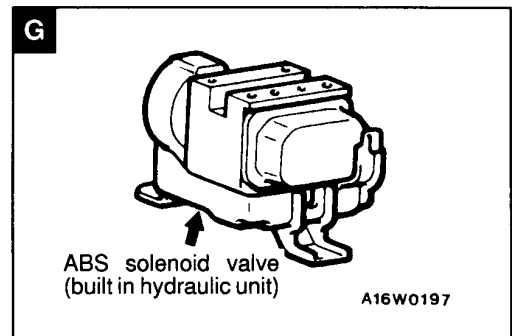
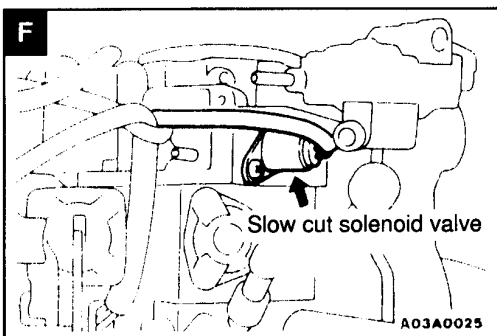
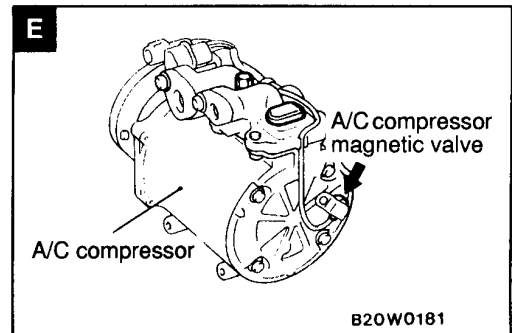
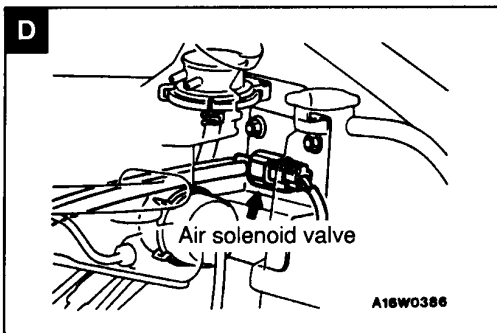
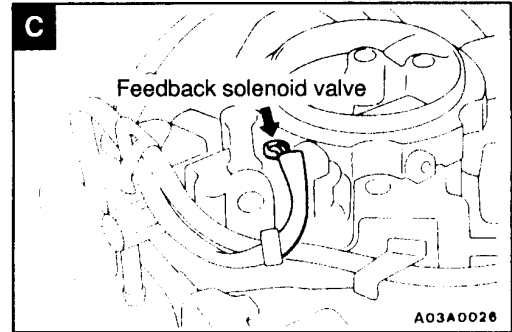
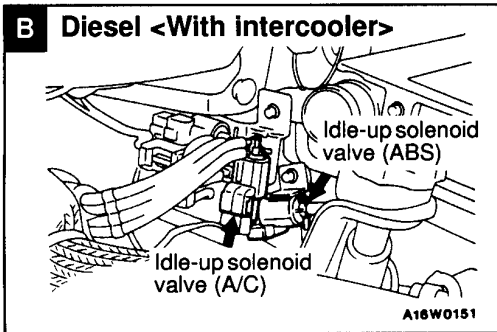
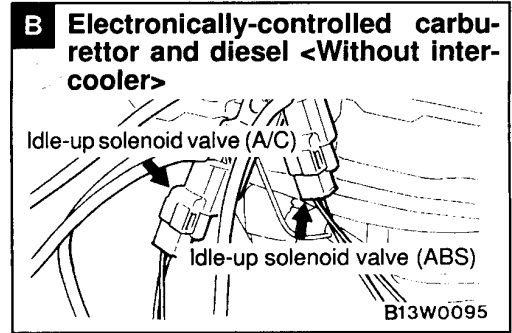
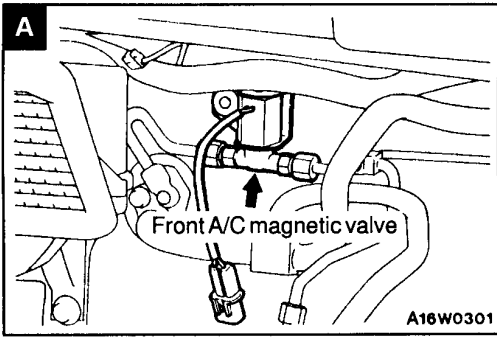


**<MPI>**



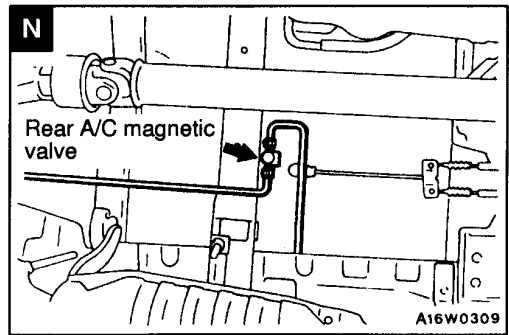
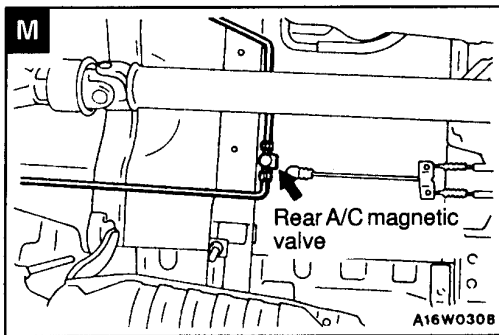
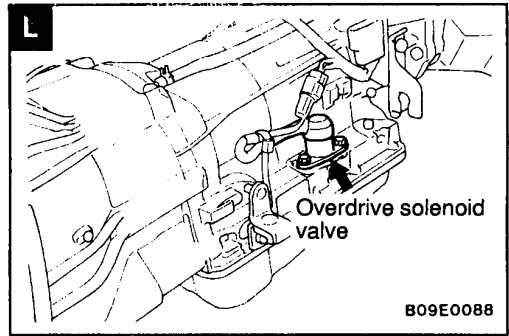
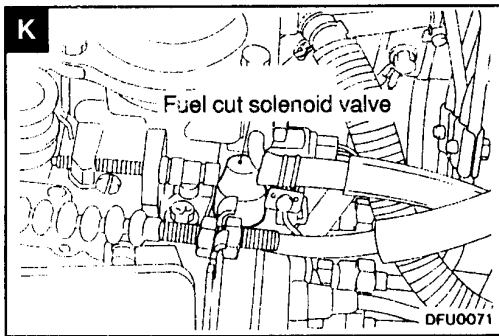
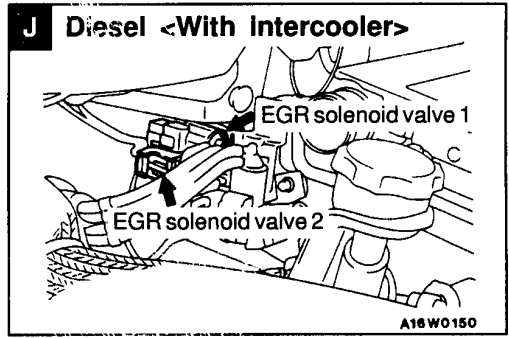
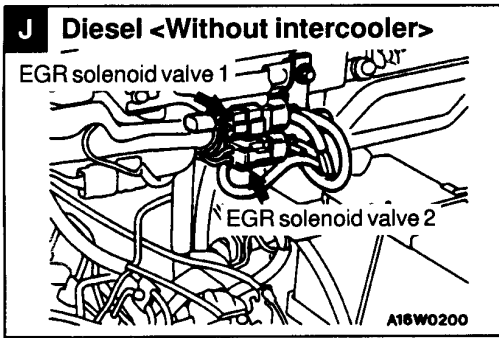
**<Diesel>**







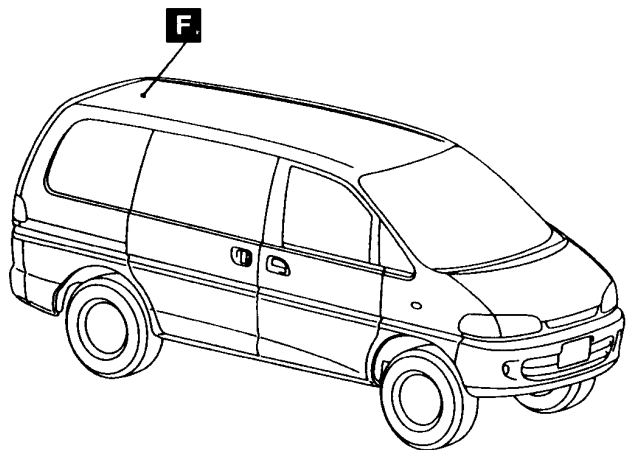
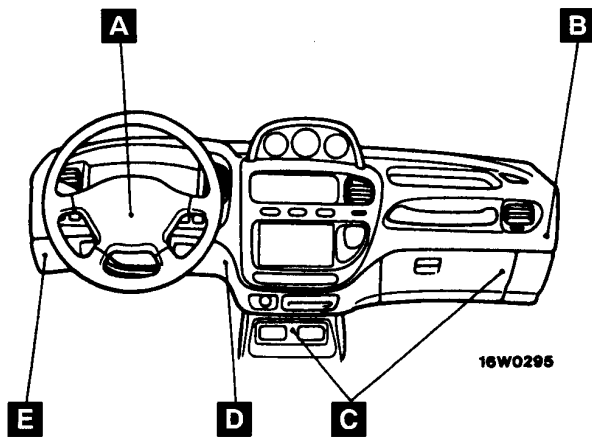
### 3-14 SINGLE PART INSTALLATION POSITION – Solenoid and Solenoid Valve



**DIODE**

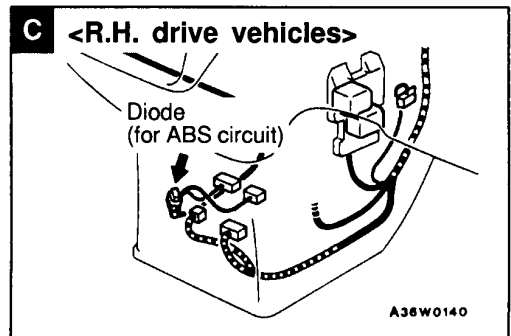
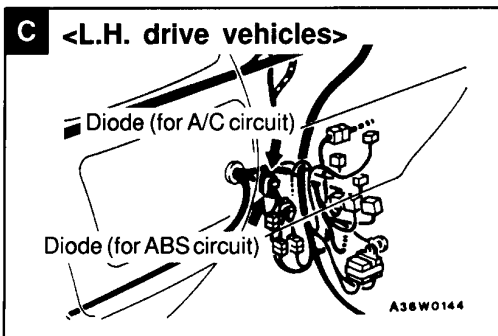
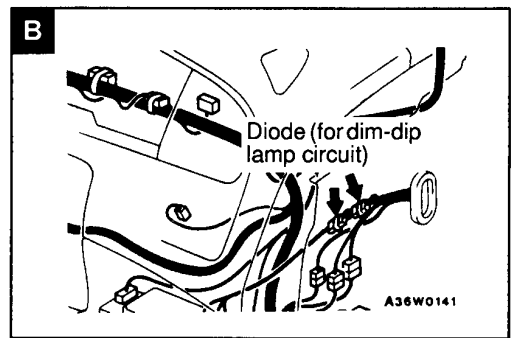
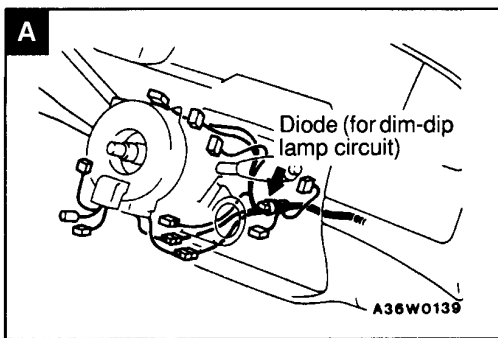
120002500

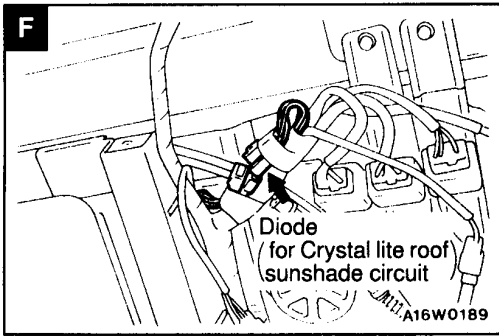
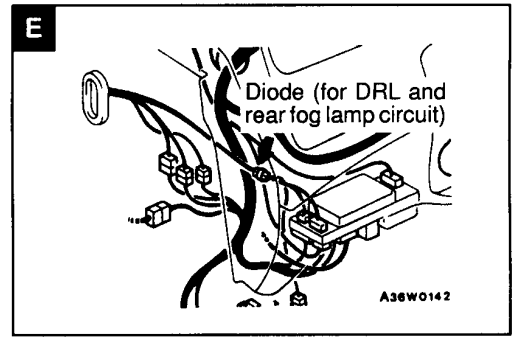
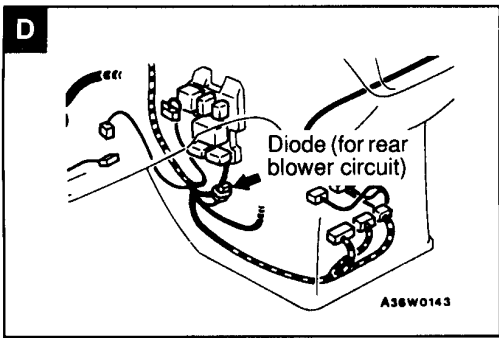
Name	Symbol	Name	Symbol
Diode (for ABS circuit)	C	Diode (for dim-dip lamp circuit)	A,B
Diode (for A/C circuit) <Electronically-controlled carburettor>	C	Diode (for DRL and rear fog lamp circuit)	E
Diode (for Crystal lite roof sunshade circuit)	F	Diode (for rear blower circuit) <Under seat type rear heater>	D



18W0334

00003223

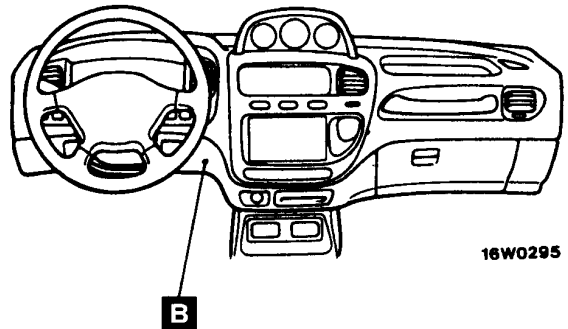
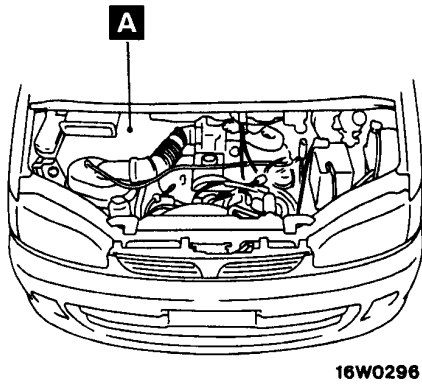




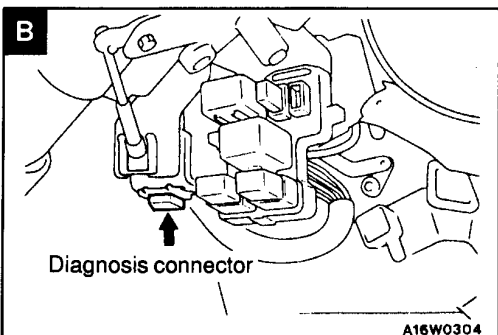
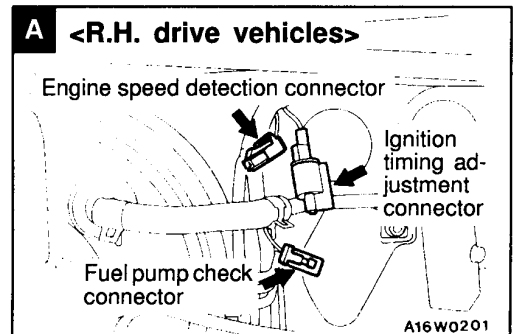
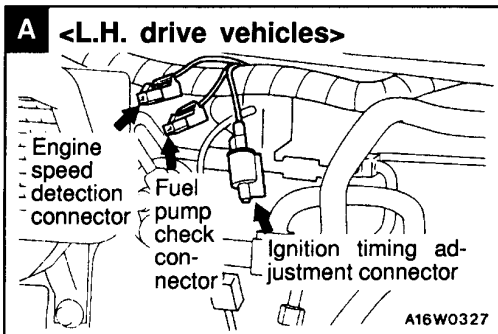
INSPECTION CONNECTOR

120002501

Name	Symbol	Name	Symbol
Diagnosis connector	B	Fuel pump check connector <MPI>	A
Engine speed detection connector <Petrol>	A	Ignition timing adjustment connector <MPI>	A



00003224

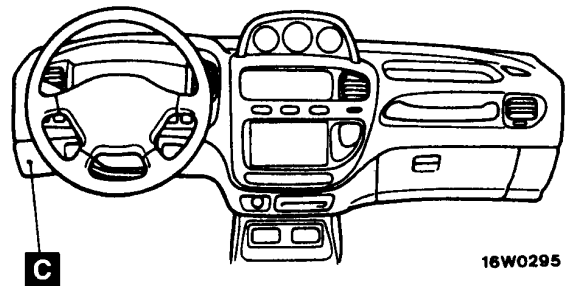
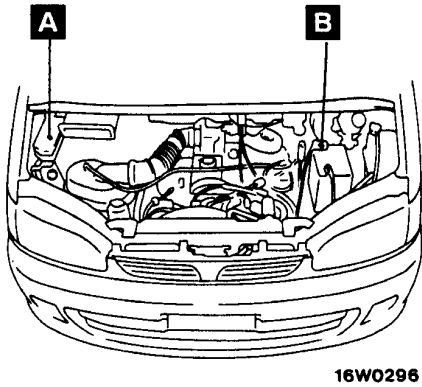


### 3-18 SINGLE PART INSTALLATION POSITION – Fusible Link and Fuse

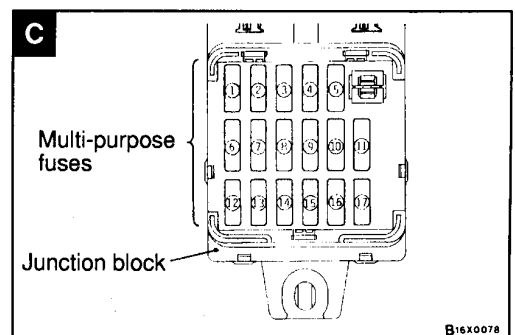
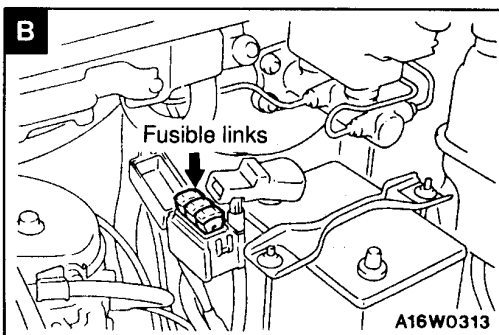
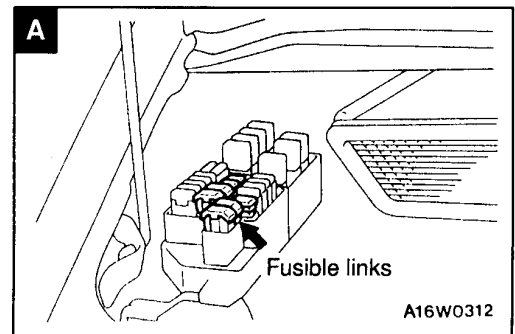
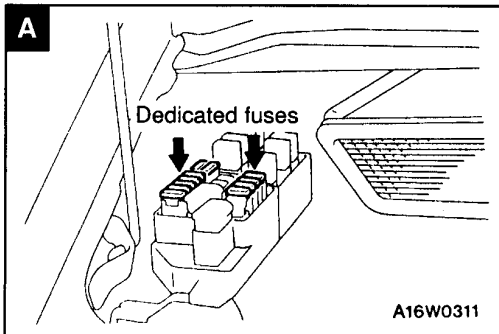
120002510

## FUSIBLE LINK AND FUSE

Name	Symbol	Name	Symbol
Dedicated fuses	A	Fusible links (No.4 – 10)	A
Fusible links (No.1 – 3)	B	Multi-purpose fuses	C



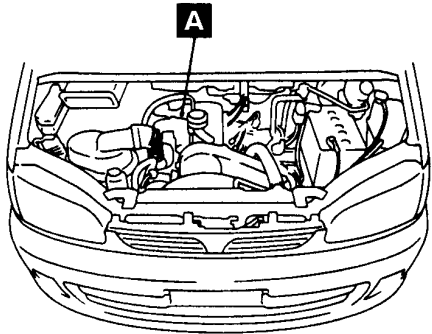
00003225



EARTH CABLE

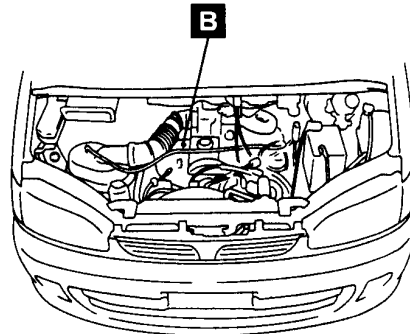
120002502

<Diesel>



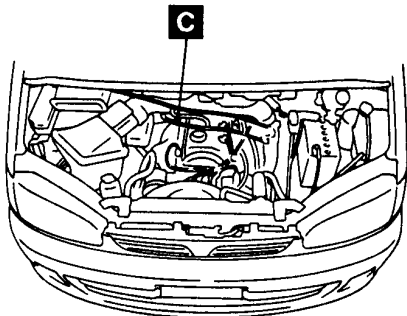
16W0298

<Electronically-controlled carburettor>

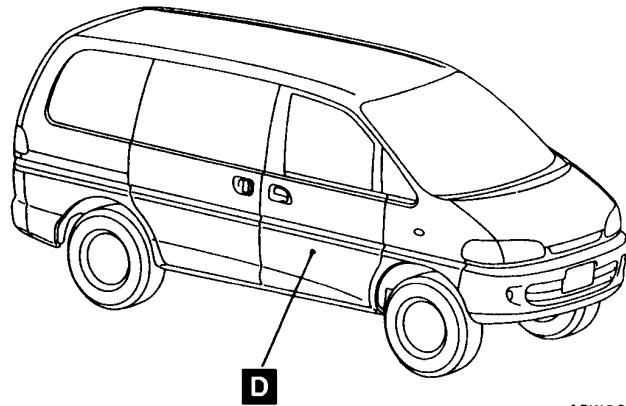


16W0296

<MPI>

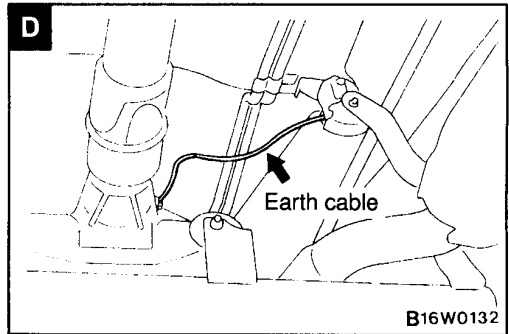
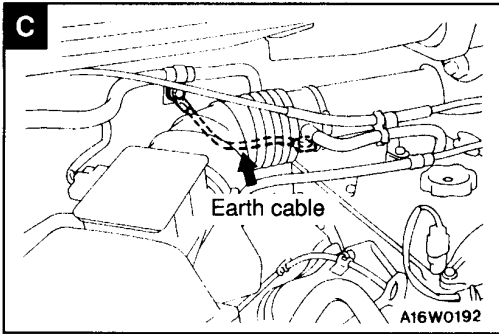
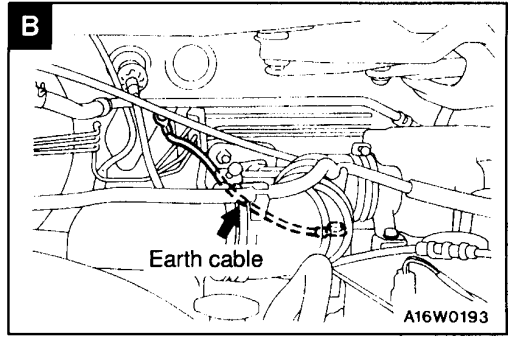
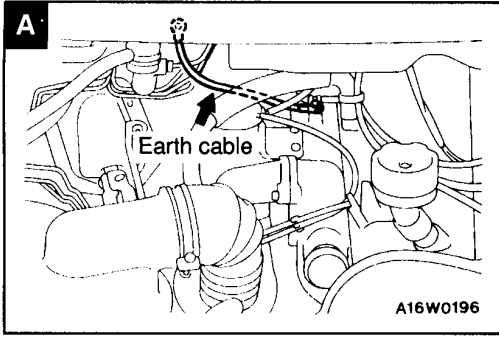


16W0297



18W0334

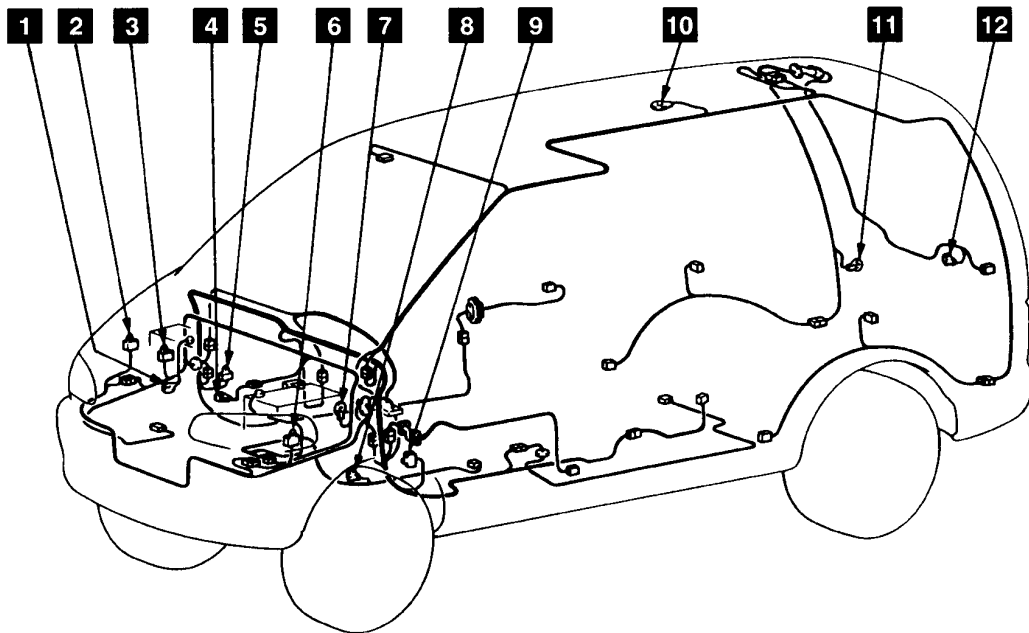
00003226



**EARTH**

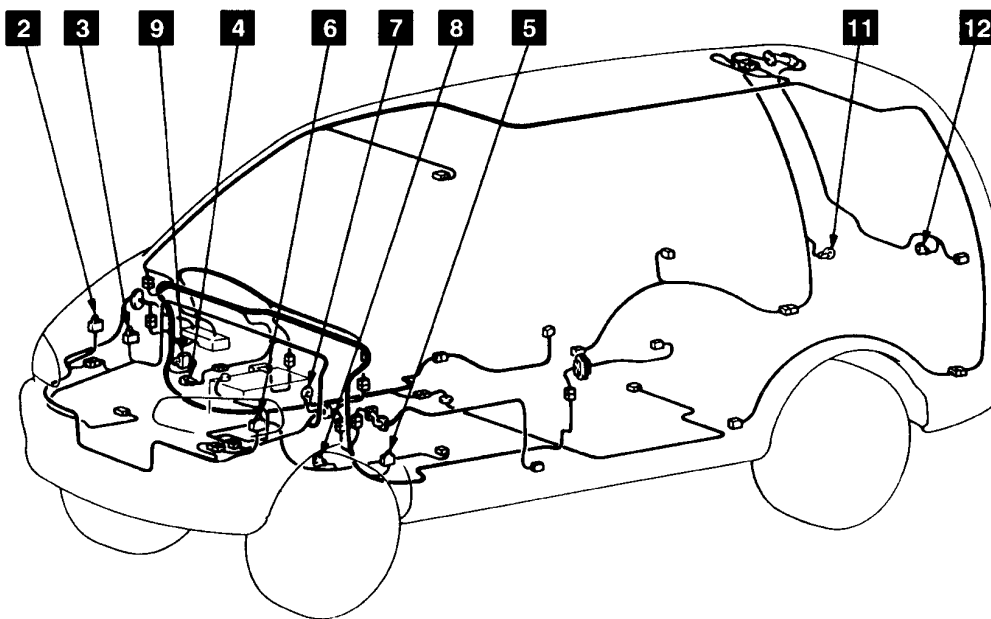
120002503

<L.H. drive vehicles>



36W0138

<R.H. drive vehicles>

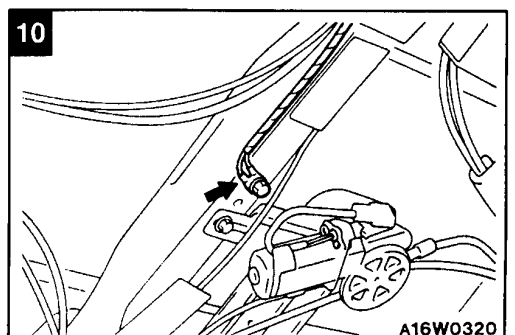
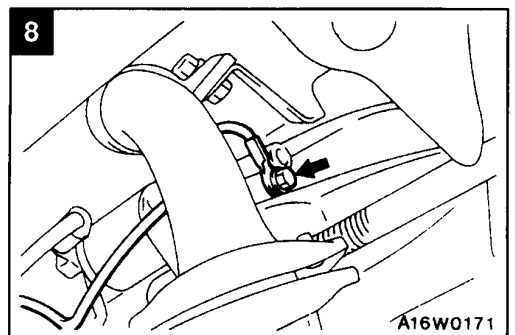
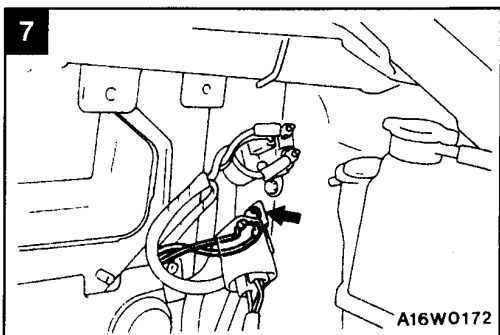
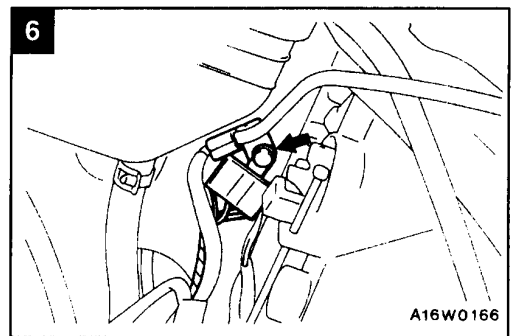
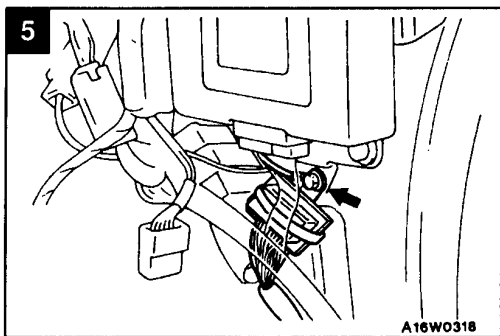
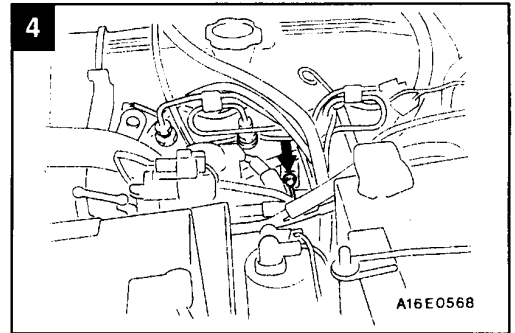
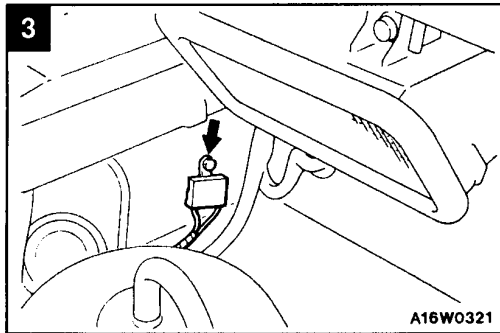
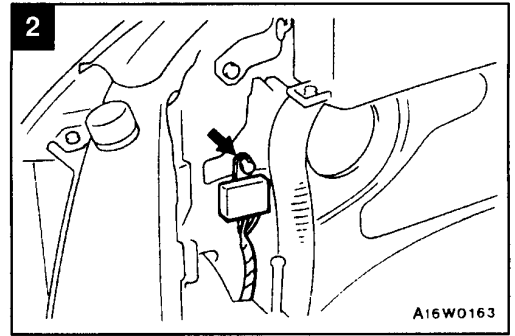
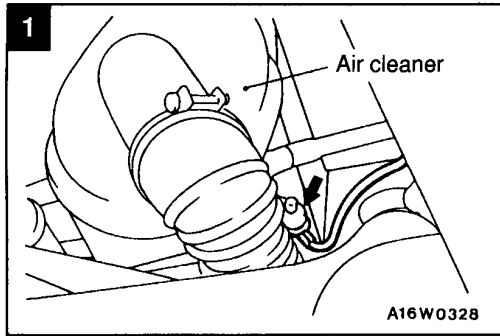


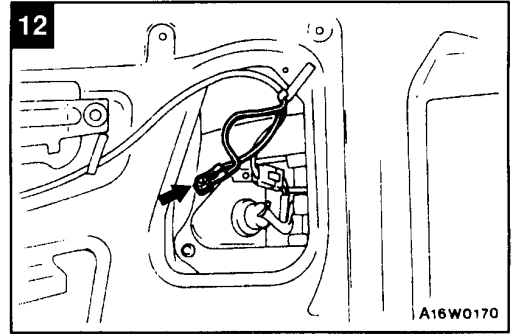
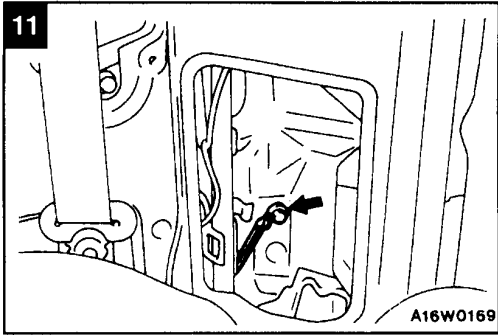
36W0123

00003227

NOTE  
Same earth number are used in the circuit diagram.







## 4 CIRCUIT DIAGRAM

120002327

<b>JUNCTION BLOCK (J/B)</b> .....	4-4	<b>REAR FOG LAMP</b>	
<b>JOINT CONNECTOR (J/C)</b> .....	4-6	L.H. drive vehicles .....	4-82
<b>CENTRALIZED JUNCTION</b> .....	4-8	R.H. drive vehicles .....	4-86
<b>POWER DISTRIBUTION SYSTEM</b>		<b>HEADLAMP LEVELING SYSTEM</b>	
L.H. drive vehicles .....	4-16	L.H. drive vehicles .....	4-90
R.H. drive vehicles .....	4-22	R.H. drive vehicles .....	4-92
<b>STARTING SYSTEM</b>		<b>ROOM LAMP</b>	
L.H. drive vehicles		L.H. drive vehicles with sunroof .....	4-96
<Petrol-powered vehicles> .....	4-28	L.H. drive vehicles without sunroof .....	4-98
R.H. drive vehicles		R.H. drive vehicles .....	4-100
<Petrol-powered vehicles> .....	4-29	<b>DOOR LAMP AND STEP LAMP</b> .....	4-101
Diesel-powered vehicles .....	4-30	<b>GLOVE BOX LAMP</b> .....	4-102
<b>IGNITION SYSTEM</b>		<b>IGNITION KEY CYLINDER ILLUMINATION LAMP</b> .....	4-103
Electronically-controlled carburettor .....	4-32	<b>TURN-SIGNAL LAMP AND HAZARD WARNING LAMP</b>	
MPI .....	4-34	L.H. drive vehicles .....	4-104
<b>CHARGING SYSTEM</b> .....	4-36	R.H. drive vehicles .....	4-106
<b>GLOW SYSTEM</b>		<b>STOP LAMP</b>	
Vehicles with EGR system .....	4-38	L.H. drive vehicles .....	4-109
Vehicles without EGR system .....	4-40	R.H. drive vehicles .....	4-110
<b>ELECTRONICALLY-CONTROLLED CARBURETTOR</b> .....	4-42	<b>BACK-UP LAMP</b>	
<b>MPI SYSTEM</b>		M/T .....	4-111
L.H. drive vehicles .....	4-46	A/T .....	4-112
R.H. drive vehicles .....	4-54	<b>HORN</b>	
<b>OVERDRIVE CONTROL SYSTEM</b> .....	4-62	Vehicles with SRS .....	4-113
<b>HEADLAMP</b>		Vehicles without SRS .....	4-114
L.H. drive vehicles		<b>METER AND GAUGE</b>	
with daytime running lamp .....	4-66	L.H. drive vehicles .....	4-116
L.H. drive vehicles		R.H. drive vehicles .....	4-120
without daytime running lamp .....	4-70	<b>FUEL WARNING LAMP</b>	
R.H. drive vehicles .....	4-74	L.H. drive vehicles .....	4-124
<b>TAIL LAMP, POSITION LAMP AND LICENCE PLATE LAMP</b>		<b>OIL PRESSURE WARNING LAMP</b>	
L.H. drive vehicles .....	4-76	L.H. drive vehicles .....	4-124
R.H. drive vehicles .....	4-78		

<b>FUEL FILTER WARNING LAMP</b>			
L.H. drive vehicles <4D56> .....	4-125		
<b>BRAKE WARNING LAMP</b>			
L.H. drive vehicles .....	4-125		
<b>ENGINE OIL LEVEL WARNING LAMP</b>			
L.H. drive vehicles .....	4-126		
<b>FUEL WARNING LAMP</b>			
R.H. drive vehicles .....	4-128		
<b>OIL PRESSURE WARNING LAMP</b>			
R.H. drive vehicles .....	4-128		
<b>FUEL FILTER WARNING LAMP</b>			
R.H. drive vehicles <4D56> .....	4-129		
<b>BRAKE WARNING LAMP</b>			
R.H. drive vehicles .....	4-129		
<b>ENGINE OIL LEVEL WARNING LAMP</b>			
R.H. drive vehicles .....	4-130		
<b>MULTI-METER .....</b>	<b>4-131</b>		
<b>CENTRAL DOOR LOCKING SYSTEM</b>			
L.H. drive vehicles .....	4-132		
R.H. drive vehicles .....	4-136		
<b>POWER WINDOWS .....</b>	<b>4-140</b>		
<b>HEATER</b>			
L.H. drive vehicles with under seat type rear heater .....	4-142		
L.H. drive vehicles with built-in type rear heater .....	4-146		
L.H. drive vehicles without rear heater .....	4-150		
R.H. drive vehicles .....	4-152		
<b>SINGLE AIR CONDITIONER</b>			
Electronically-controlled carburettor .....	4-154		
MPI .....	4-158		
Diesel .....	4-162		
<b>DUAL AIR CONDITIONER</b>			
Overhead type			
<Electronically-controlled carburettor> .....	4-166		
Overhead type <MPI> .....	4-172		
Overhead type <Diesel> .....	4-178		
Built-in type .....	4-184		
<b>WINDSHIELD WIPER AND WASHER</b>			
L.H. drive vehicles .....	4-192		
R.H. drive vehicles .....	4-193		
<b>REAR WIPER AND WASHER .....</b>	<b>4-194</b>		
<b>HEADLAMP WASHER .....</b>	<b>4-197</b>		
<b>DEFOGGER</b>			
L.H. drive vehicles .....	4-198		
R.H. drive vehicles .....	4-199		
<b>REMOTE CONTROLLED MIRROR .....</b>	<b>4-200</b>		
<b>RADIO AND TAPE PLAYER</b>			
L.H. drive vehicles .....	4-202		
R.H. drive vehicles .....	4-204		
<b>CLOCK .....</b>	<b>4-205</b>		
<b>CIGARETTE LIGHTER</b>			
L.H. drive vehicles .....	4-206		
R.H. drive vehicles .....	4-207		
<b>ACCESSORY SOCKET .....</b>	<b>4-208</b>		
<b>ANTI-LOCK BRAKING SYSTEM (ABS)</b>			
L.H. drive vehicles <2WD> .....	4-210		
L.H. drive vehicles <4WD> .....	4-214		
R.H. drive vehicles .....	4-220		
<b>FRONT SUNROOF .....</b>	<b>4-224</b>		
<b>REAR SUNROOF .....</b>	<b>4-226</b>		
<b>PART TIME 4WD SYSTEM .....</b>	<b>4-228</b>		
<b>CRYSTAL LITE ROOF SUNSHADE .....</b>	<b>4-230</b>		
<b>RHEOSTAT .....</b>	<b>4-232</b>		

**SUPPLEMENTAL RESTRAINT  
SYSTEM (SRS)**

- L.H. drive vehicles ..... 4-234
- R.H. drive vehicles ..... 4-236

**LIGHTING MONITOR BUZZER**

- L.H. drive vehicles ..... 4-238
- R.H. drive vehicles ..... 4-240

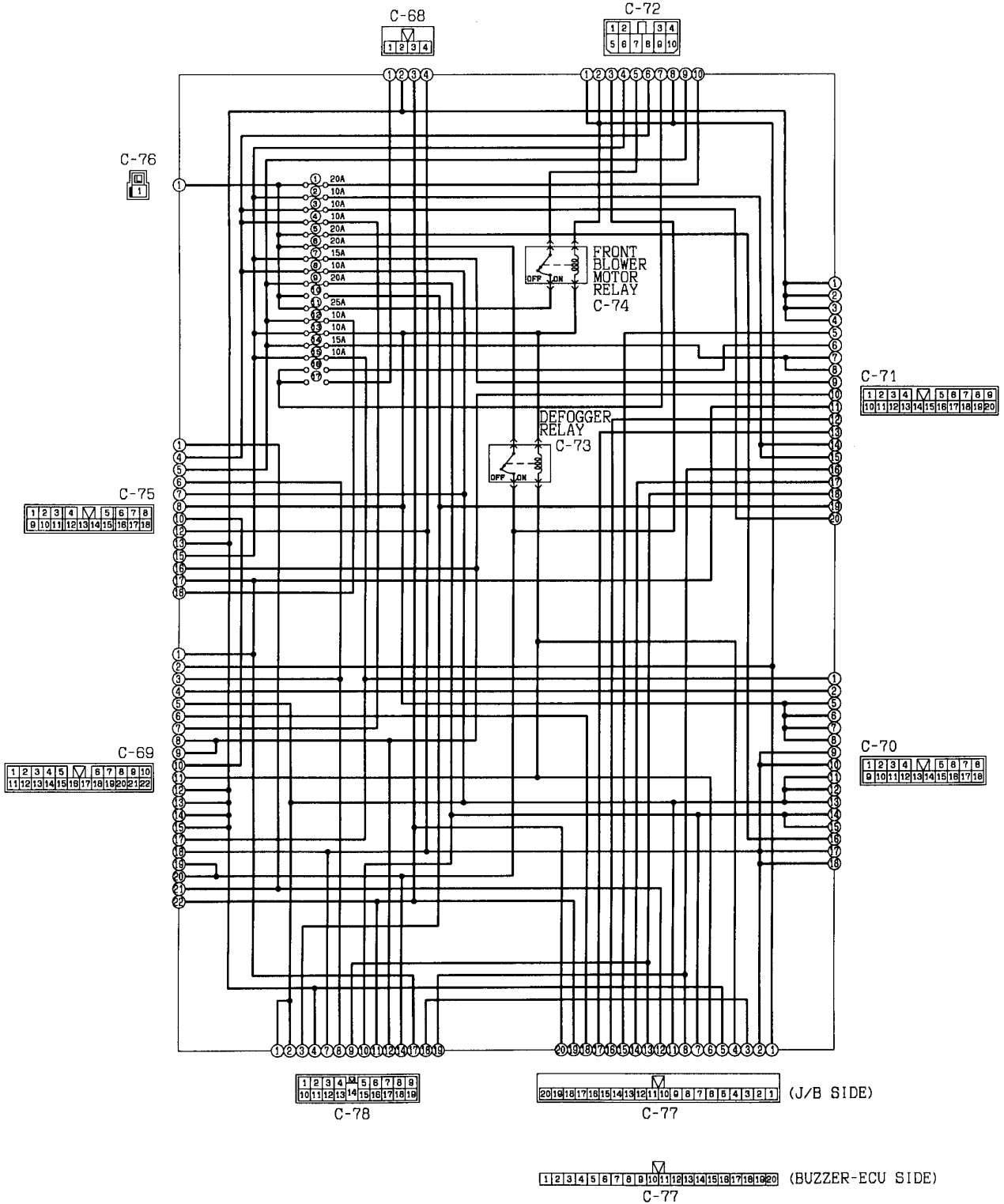
**HEATED SEAT ..... 4-242**

**INTERCOOLER FAN ..... 4-244**

**FUEL LINE HEATER ..... 4-245**

JUNCTION BLOCK (J/B)

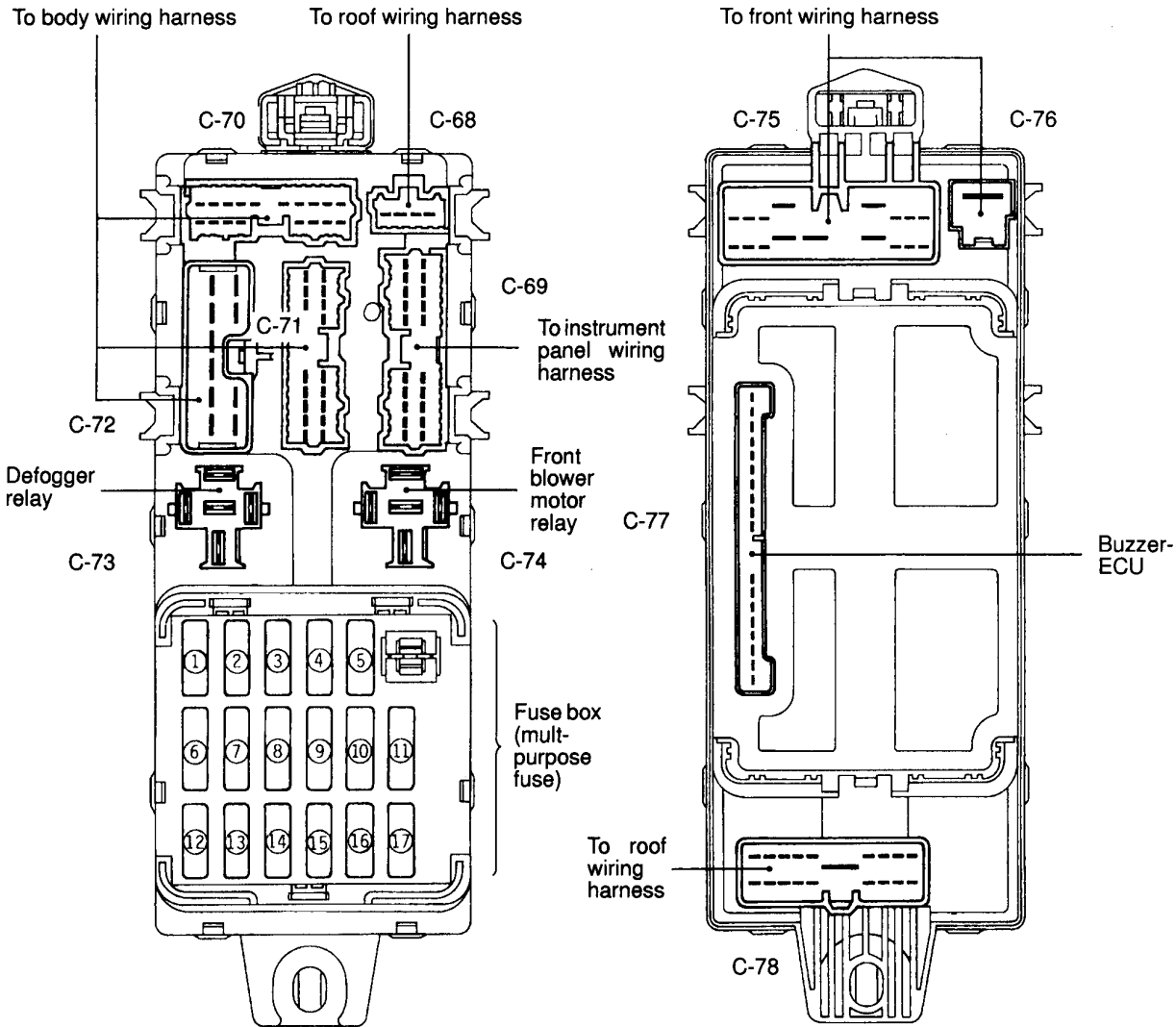
120002328



REMARK  
CONNECTOR NUMBERS ARE KEYED TO THE CONFIGURATION  
DIAGRAM (DASH PANEL) AND EACH CIRCUIT DIAGRAM.

Front side

Rear side



16X0078

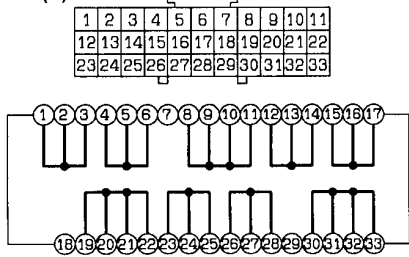
16X0079  
00000411

JOINT CONNECTOR (J/C)

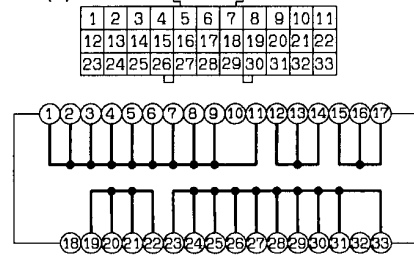
120002329

L.H. drive vehicles

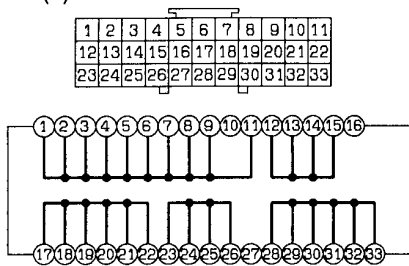
J/C (1) C-05



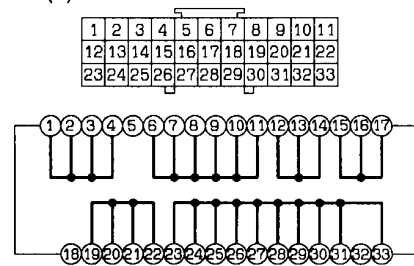
J/C (5) C-16



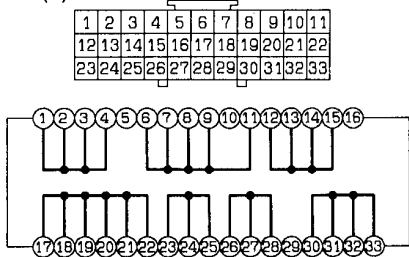
J/C (2) C-07



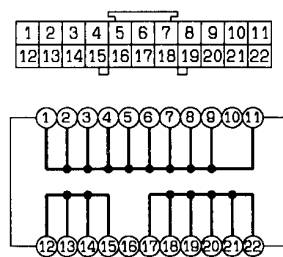
J/C (6) D-03



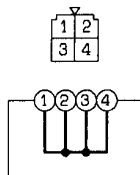
J/C (3) C-26



J/C (7) D-05



J/C (4) C-06



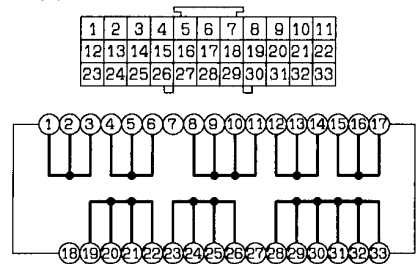
Remark

- In actual vehicles, any of the J/C terminals in identical bus bar are used. The terminals described in the circuit diagram may not be identical to those of the vehicles.

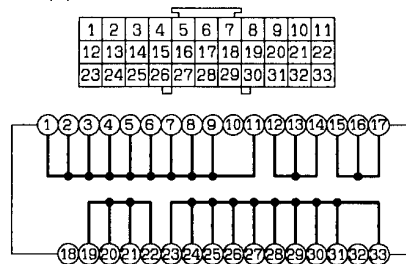


R.H. drive vehicles

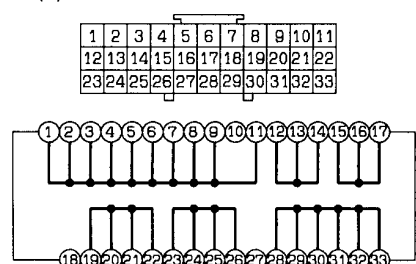
J/C (1) C-05



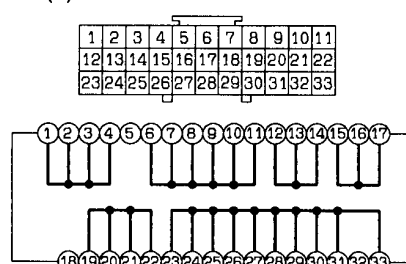
J/C (5) C-16



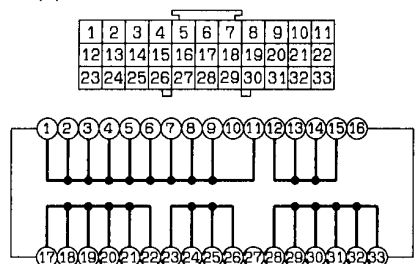
J/C (2) C-07



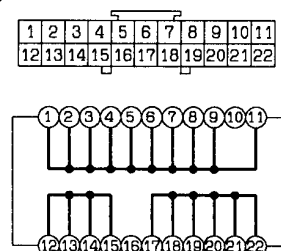
J/C (6) D-03



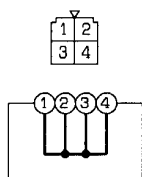
J/C (3) C-26



J/C (7) D-05



J/C (4) C-06



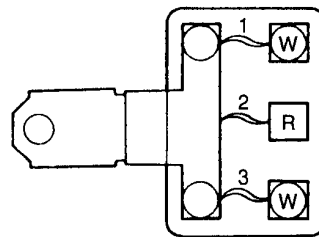
**CENTRALIZED JUNCTION**

120002330

**FUSIBLE LINK**

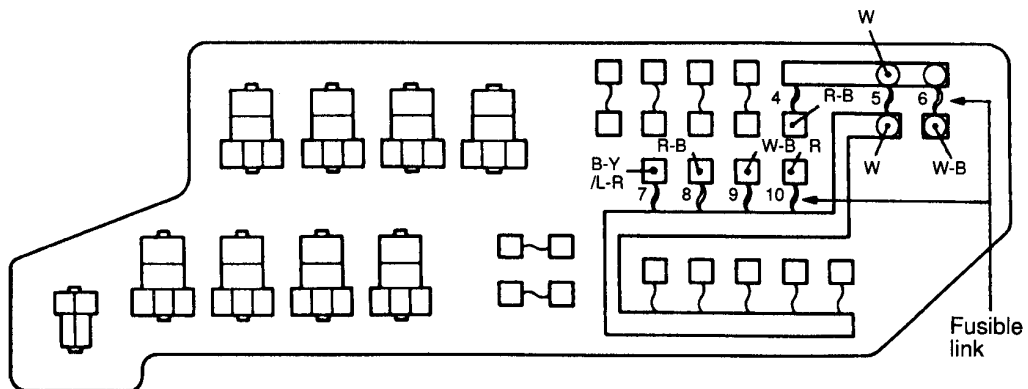
No.	Circuit	Housing colour	Rated capacity (A)
1	Glow and starting circuit <DIESEL>	Black	80
2	Ignition switch circuit	Pink	30
3	Alternator circuit	Blue	100
4	Sunroof and crystal lite roof sunshade circuit	Pink	30
5	Fusible link No. (7), (8), (9), (10) and dedicated fuse No. (7), (8), (9), (10), (11) circuit	Blue	100
6	Dedicated fuse No. (2), (5) and Multi-purpose fuse No. (1), (5), (6), (11) circuit	Black	80
7	Electronically-controlled carburettor, intercooler fan and MPI circuit	Light blue	20
8	Power windows and central door locking system circuit	Pink	30
9	ABS circuit	Red	50
10	Headlamp, tail lamp and alternator circuit	Green	40

**(Connected directly to battery positive terminal)**



16W0140

**(Relay box in engine compartment)**



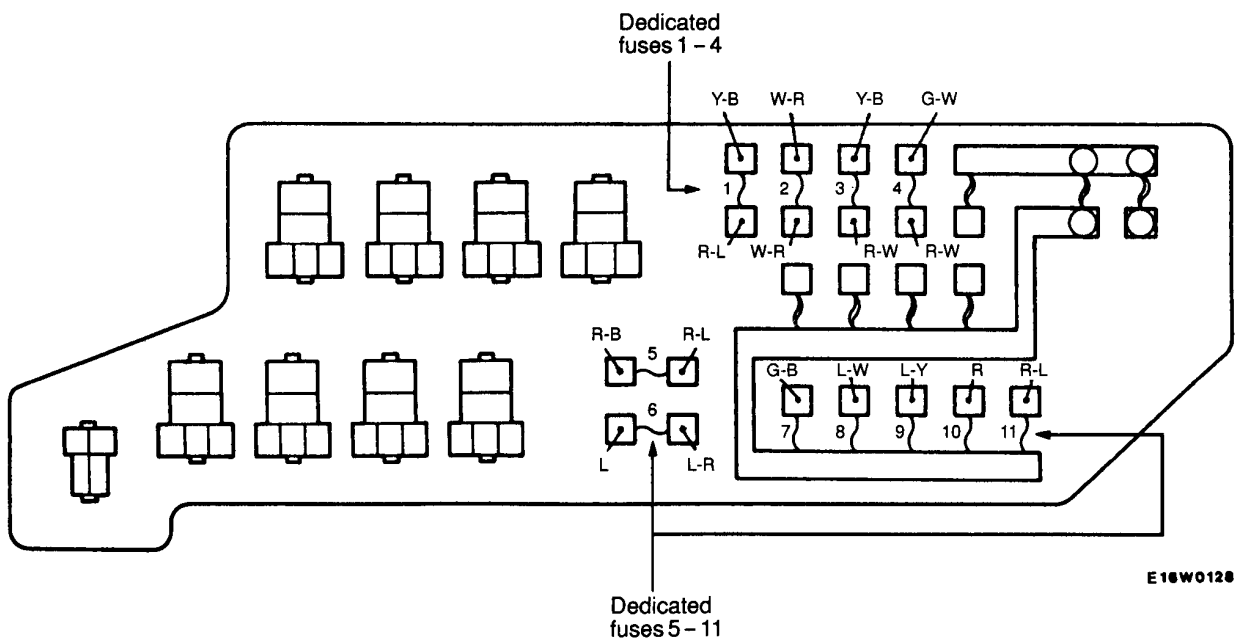
D16W0128

DEDICATED FUSE (Relay box in engine compartment)

120002331

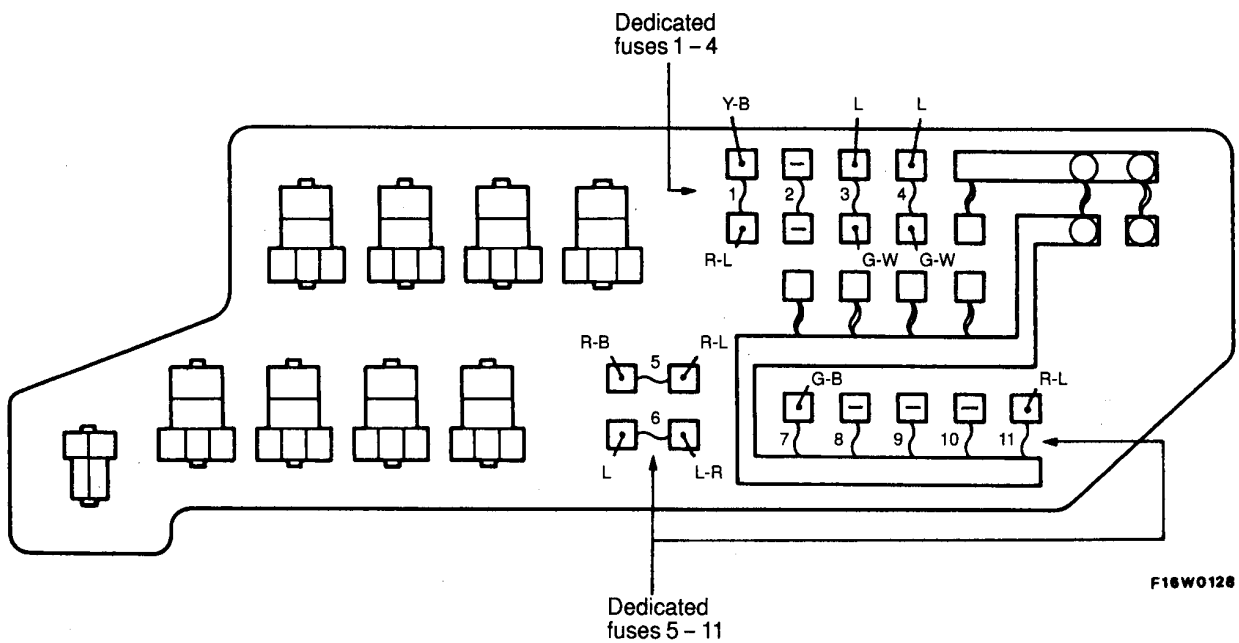
L.H. drive vehicles

Power supply circuit	No.	Rated capacity (A)	Housing Colour	Circuit
Headlamp relay (Fusible link No. 10)	1	10	Red	High beam indicator circuit
Alternator (Fusible link No. 6)	2	10	Red	A/C compressor circuit
Battery/Alternator (Fusible link No. 10)	3	10	Red	Tail lamp and illumination circuit
	4	10	Red	Tail lamp and illumination circuit
Battery/Alternator (Fusible link No. 6)	5	10	Red	Clock, radio, room lamp, ignition key cylinder illumination lamp, speedometer circuit, ECU power supply circuit and MUT-II power supply circuit
Ignition switch (ACC)	6	15	Blue	Accessory socket, clock and radio circuit
Battery (Fusible link No. 3)/ Alternator (Fusible link No. 5)	7	10	Red	Stop lamp circuit
	8	30	Green	Front condenser fan motor circuit
	9	15	Blue	Side condenser fan motor circuit
	10	15	Blue	Fuel line heater circuit
	11	10	Red	Hazard warning lamp circuit



R.H. drive vehicles

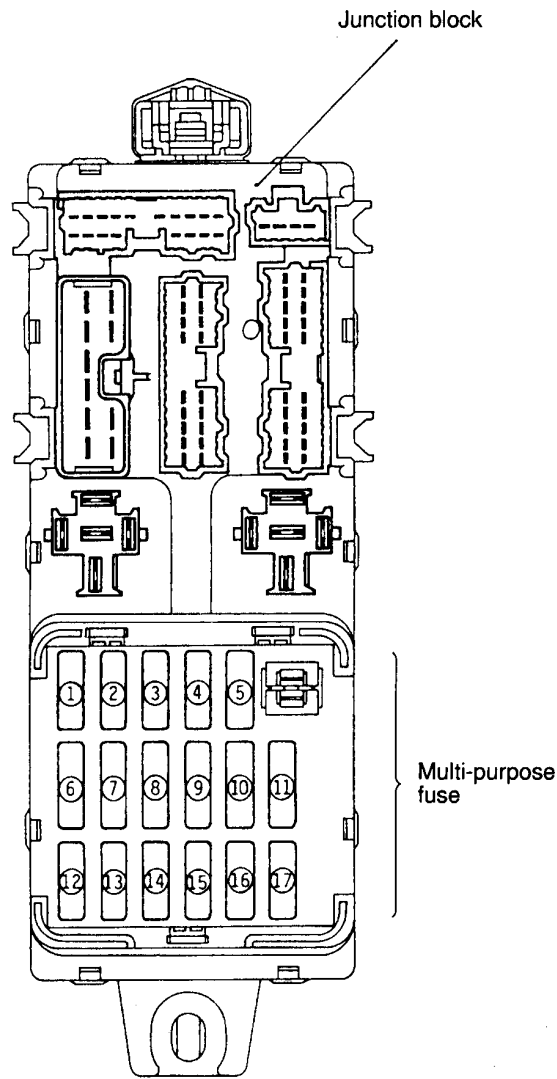
Power supply circuit	No.	Rated capacity (A)	Housing Colour	Circuit
Headlamp relay (Fusible link No. 10)	1	10	Red	High beam indicator circuit
Alternator (Fusible link No. 6)	2	-	-	-
Battery/Alternator (Fusible link No. 10)	3	10	Red	Tail lamp and illumination circuit
	4	10	Red	Tail lamp and illumination circuit
Battery/Alternator (Fusible link No. 6)	5	10	Red	Radio, room lamp, ignition key cylinder illumination lamp, speedometer circuit, ECU power supply circuit and MUT-II power supply circuit
Ignition switch (ACC)	6	15	Blue	Radio circuit
Battery (Fusible link No. 3)/ Alternator (Fusible link No. 5)	7	10	Red	Stop lamp circuit
	8	-	-	-
	9	-	-	-
	10	-	-	-
	11	10	Red	Hazard warning lamp circuit



**MULTI-PURPOSE FUSE (In junction block)**

120002332

Power supply circuit	No.	Rated capacity (A)	Housing colour	Load circuit	
Battery	1	20	Yellow	A/C-ECU <built-in type A/C>, overhead cooling unit, rear blower motor <rear heater> and rear A/C magnetic valve <built-in type A/C>	
Ignition switch	IG2	2	10	Red	ABS-ECU and ABS G sensor <4WD>
	IG1	3	10	Red	Back-up lamp, vehicle speed sensor, overdrive control relay and engine oil level relay
	IG1	4	10	Red	SRS diagnosis unit, turn-signal and hazard warning flasher unit
Battery	5	20	Yellow	Accessory socket	
	6	20	Yellow	Defogger	
Ignition switch	IG2	7	15	Blue	Heated seat
	IG1	8	10	Red	Buzzer-ECU, combination meter, fuel line heater, SRS diagnosis unit, steering wheel sensor and sunroof-ECU
	ACC	9	20	Yellow	Intermittent wiper relay, washer motor and wiper motor
Battery	10	-	-	-	
	11	25	Trans-parent	Front blower motor	
Ignition switch	ACC	12	10	Red	Horn and horn relay <SRS>
	IG2	13	10	Red	A/C-ECU, A/C thermostat, overhead cooling unit, defogger relay, sunshade relay, power window relay, multi-meter, 4WD indicator-ECU, front A/C switch, front condenser fan motor relay <single A/C (4D56)>, front blower motor relay, front A/C magnetic valve, rear heater switch, rear blower motor relay, rear A/C magnetic valve <under seat type A/C>, DRL relay 1, dim-dip lamp relay and headlamp washer relay
	ACC	14	15	Blue	Cigarette lighter, rear wiper motor and remote controlled mirror
	IG2	15	10	Red	Overdrive control relay
Battery	16	-	-	-	
	17	-	-	-	

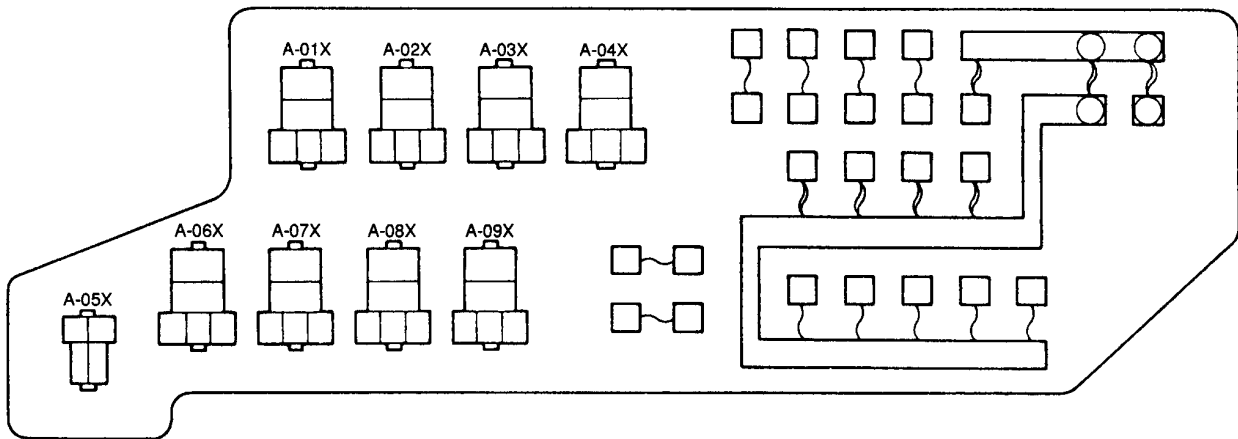


**CENTRALIZED RELAY**

120002333

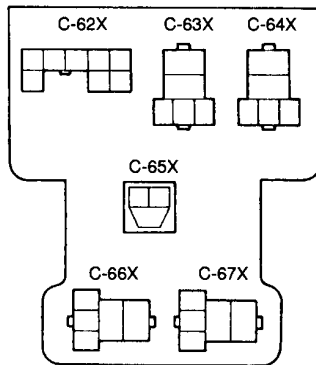
(Relay box in engine compartment)

Connector No.	Name	Connector No.	Name
A-01X	Horn relay <SRS>	A-05X	Alternator relay <MPI and diesel>  Auto choke relay <Electronically-controlled carburettor>
A-02X	A/C compressor relay <LHD (A/C)>		
	Dim-dip lamp relay 3 <RHD>		
A-03X	Front condenser fan motor relay <LHD (A/C)>	A-06X	Intercooler fan motor relay
	Dim-dip lamp relay 2 <RHD>		
A-04X	Side condenser fan motor relay <LHD (Dual A/C)>	A-07X	Rear fog lamp relay
	Front condenser fan motor relay <LHD (Single A/C-4D56)>	A-08X	Tail lamp relay
	Dim-dip lamp relay 1 <RHD>	A-09X	Headlamp relay



(Relay box in passenger compartment)

Connector No.	Name	Connector No.	Name
C-62X	Door lock-ECU	C-66X	Rear blower motor relay <Built-in type rear heater>
C-63X	Fuel line heater relay		
C-64X	Power window relay		
C-65X	Turn-signal and hazard warning flasher unit	C-67X	Accessory socket relay



16W0129

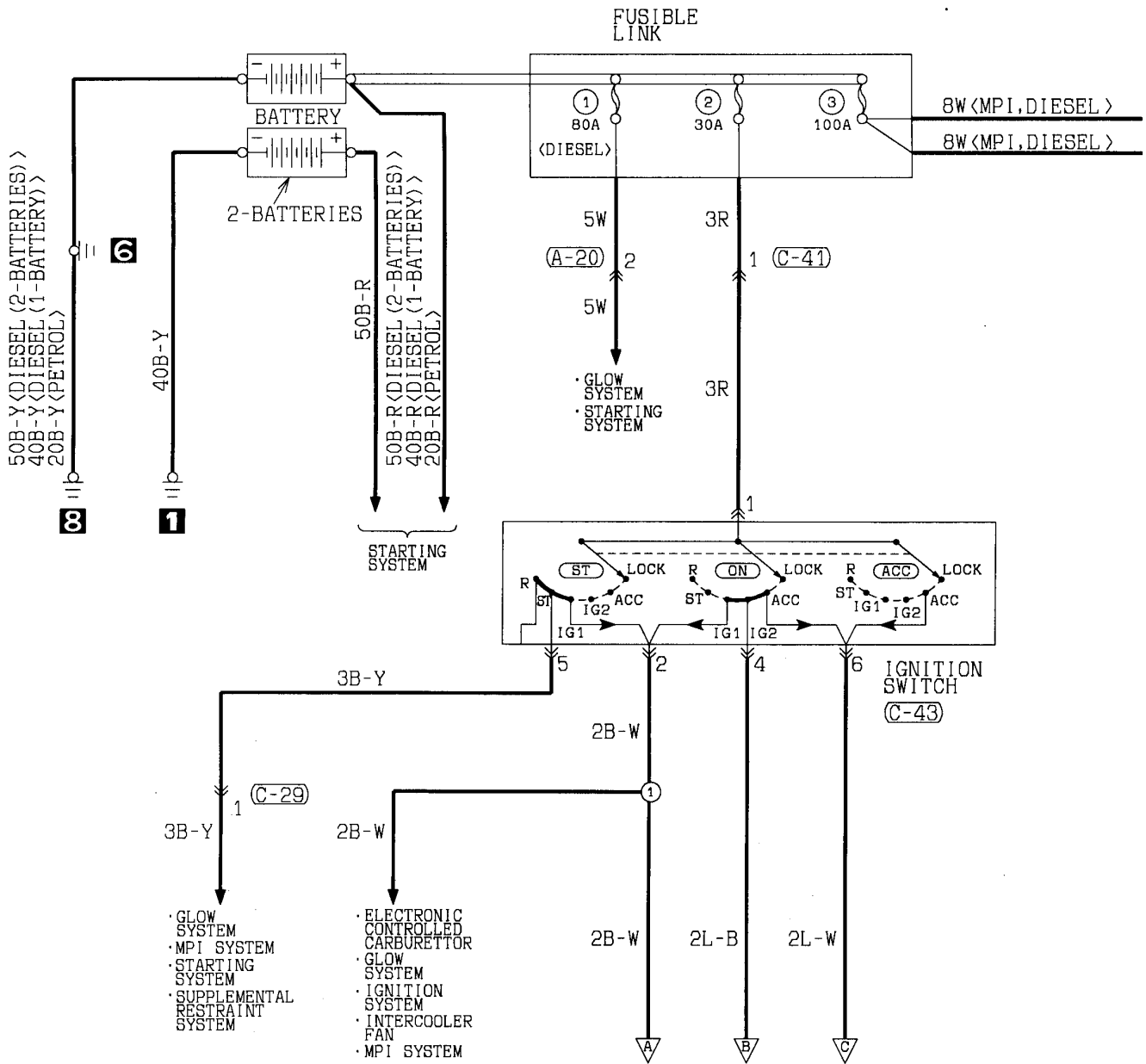


NOTES

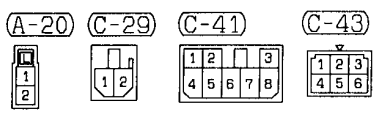
POWER DISTRIBUTION SYSTEM

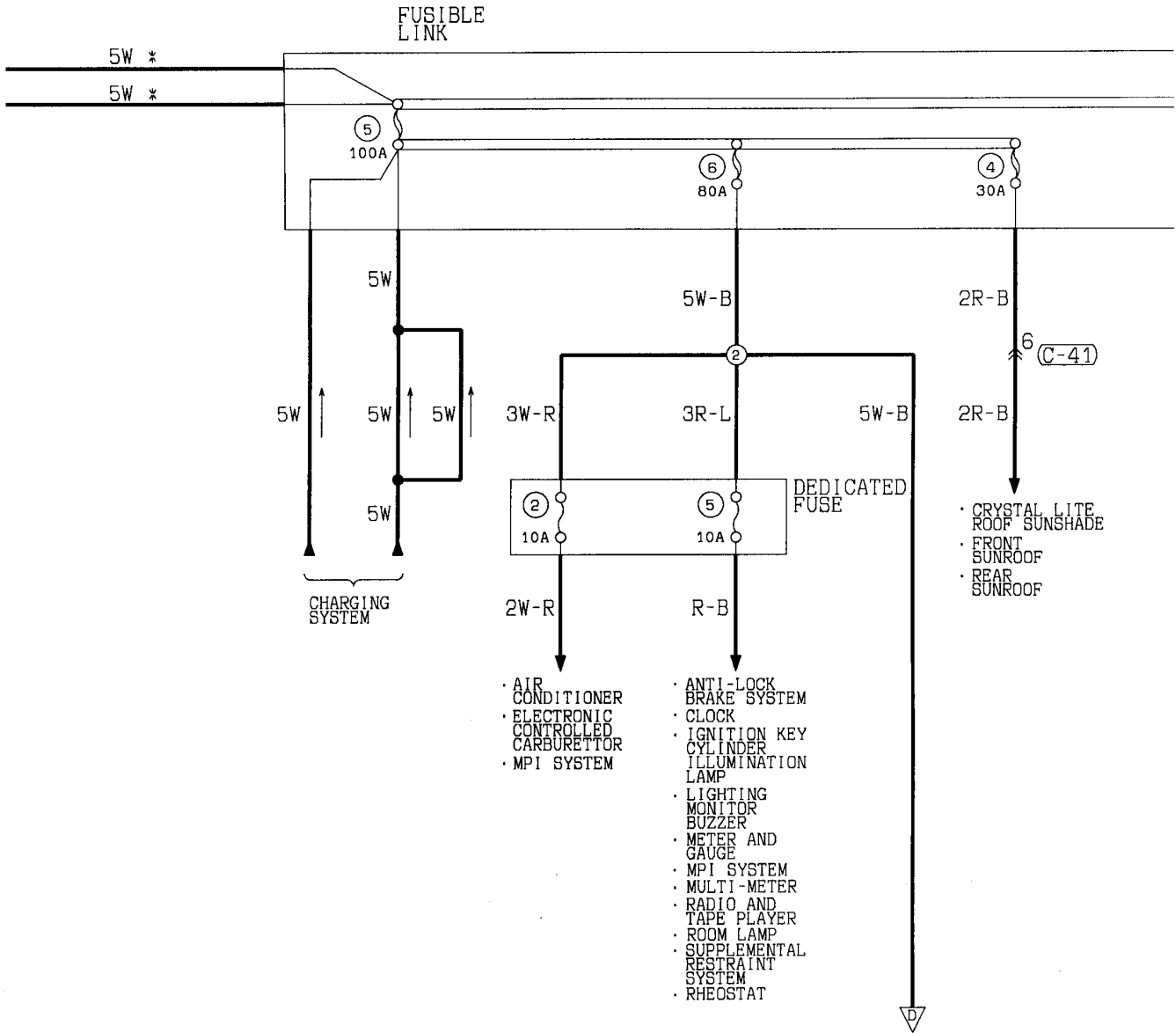
120002334

L.H. drive vehicles



REMARK  
THE ABOVE CIRCUIT DIAGRAM SHOWS THE CURRENT FLOW AT THE IGNITION KEY POSITION "ACC", "ON" AND "ST" COMBINED. BE SURE TRACE THE APPROPRIATE CIRCUIT DEPENDING ON THE IGNITION KEY POSITION.





(C-41)

1	2	3
4	5	6
7	8	

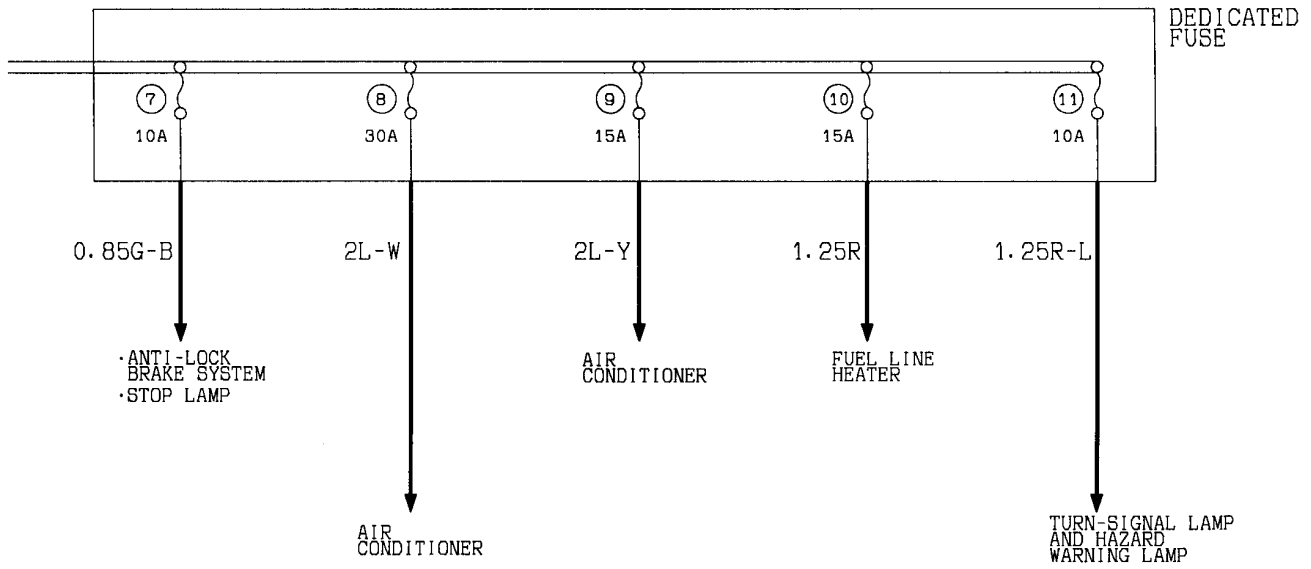
Remark

\*:ELECTRONIC CONTROLLED CARBURETTOR

Wire colour code

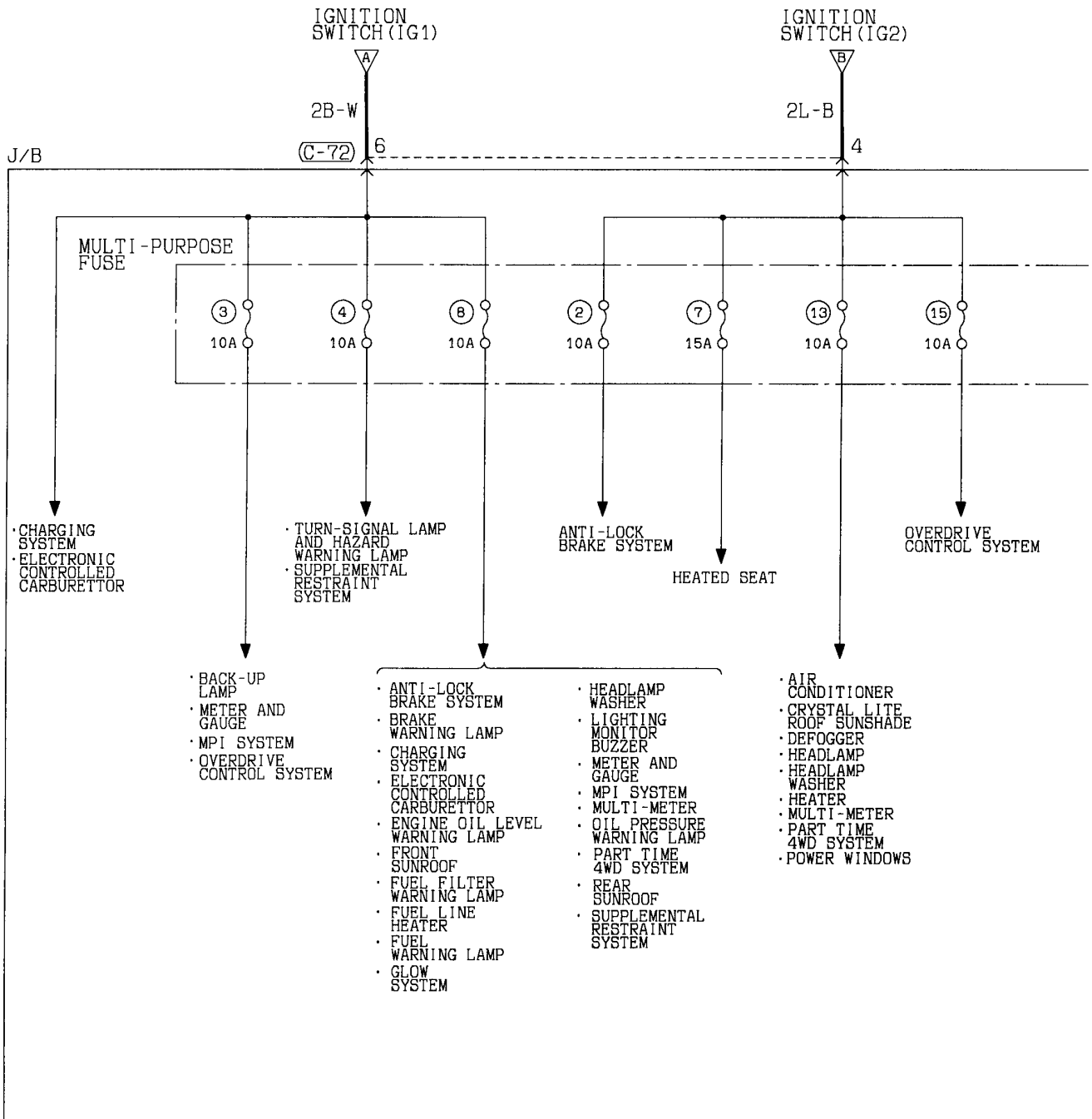
B:Black LG:Light green G:Green L:Blue W:White Y:Yellow SB:Sky blue  
 BR:Brown O:Orange GR:Gray R:Red P:Pink V:Violet





Wire colour code  
 B:Black LG:Light green G:Green L:Blue W:White Y:Yellow SB:Sky blue  
 BR:Brown O:Orange GR:Gray R:Red P:Pink V:Violet

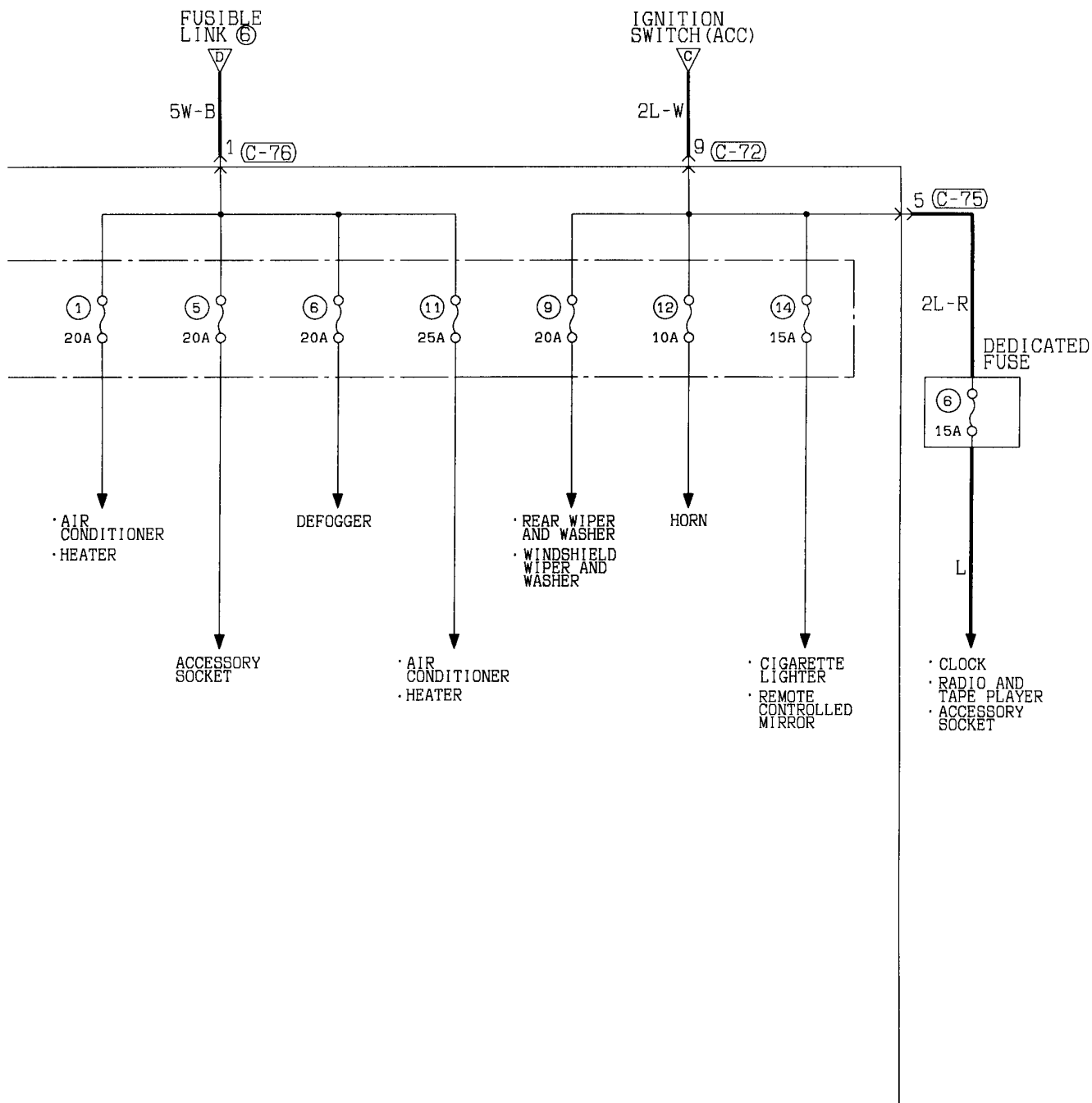
POWER DISTRIBUTION SYSTEM <L.H. drive vehicles> (CONTINUED)



(C-72)

1	2	3	4
5	6	7	8
9	10		

Wire colour code  
 B:Black LG:Light green G:Green L:Blue W:White Y:Yellow SB:Sky blue  
 BR:Brown O:Orange GR:Gray R:Red P:Pink V:Violet



(C-72)

(C-75)

(C-76)

1	2	3	4
5	6	7	8
9	10		

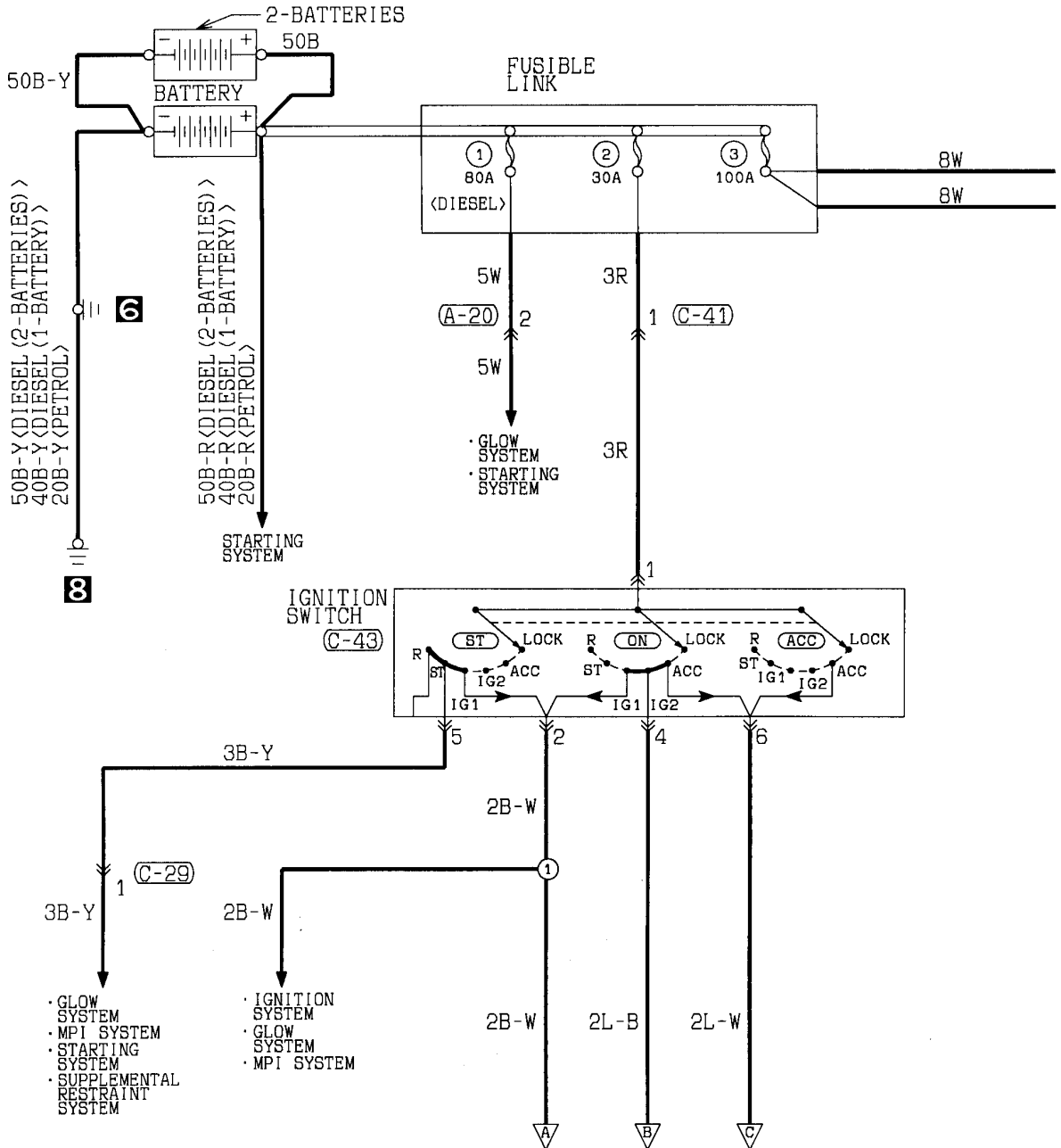
1	2	3	4	5	6	7	8
9	10	11	12	13	14	15	16
17	18						

1
---

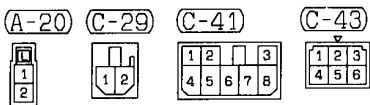
POWER DISTRIBUTION SYSTEM

120002335

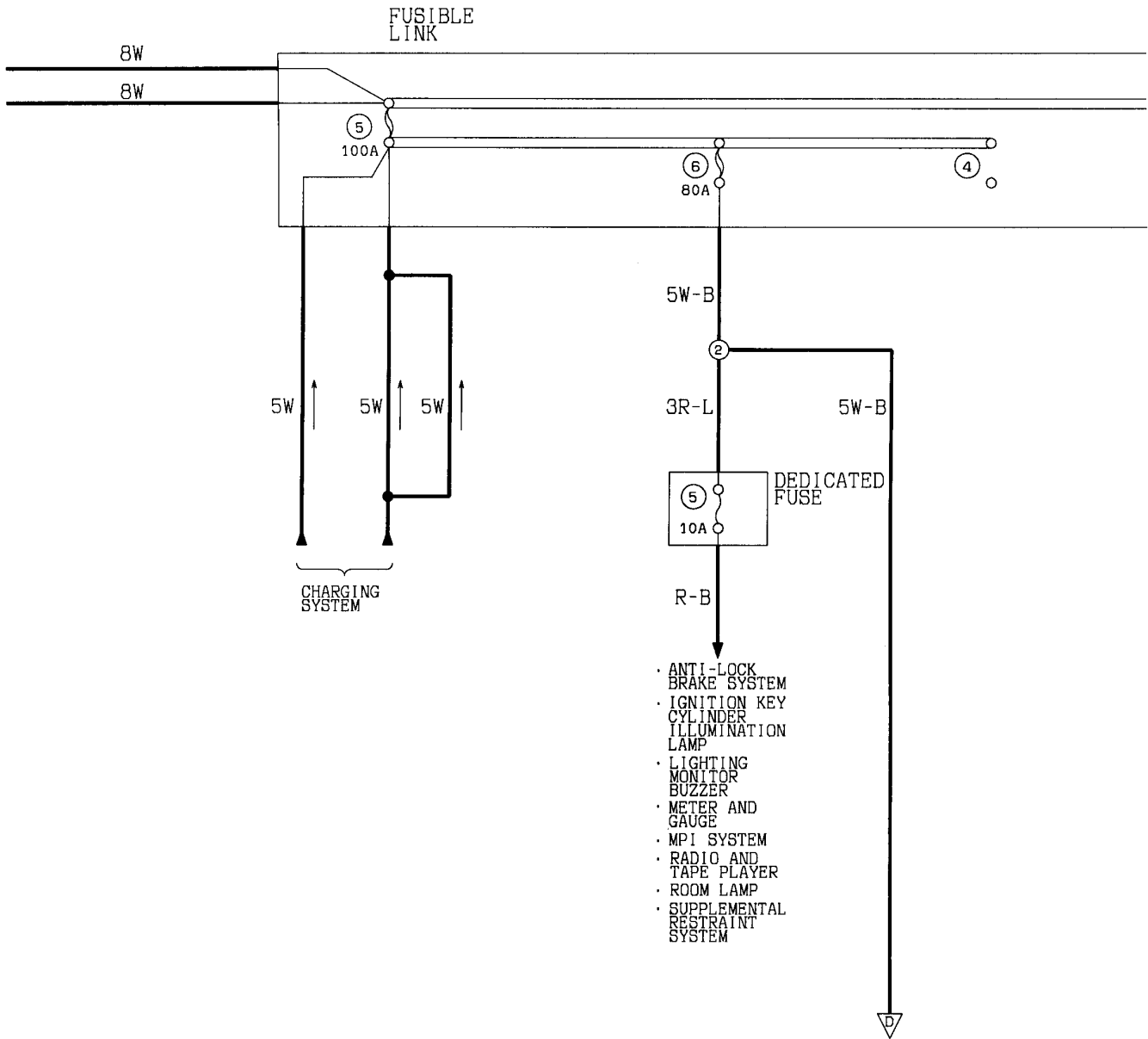
R.H. drive vehicles



REMARK  
 THE ABOVE CIRCUIT DIAGRAM SHOWS THE CURRENT FLOW AT THE IGNITION KEY POSITION "ACC", "ON" AND "ST" COMBINED. BE SURE TRACE THE APPROPRIATE CIRCUIT DEPENDING ON THE IGNITION KEY POSITION.





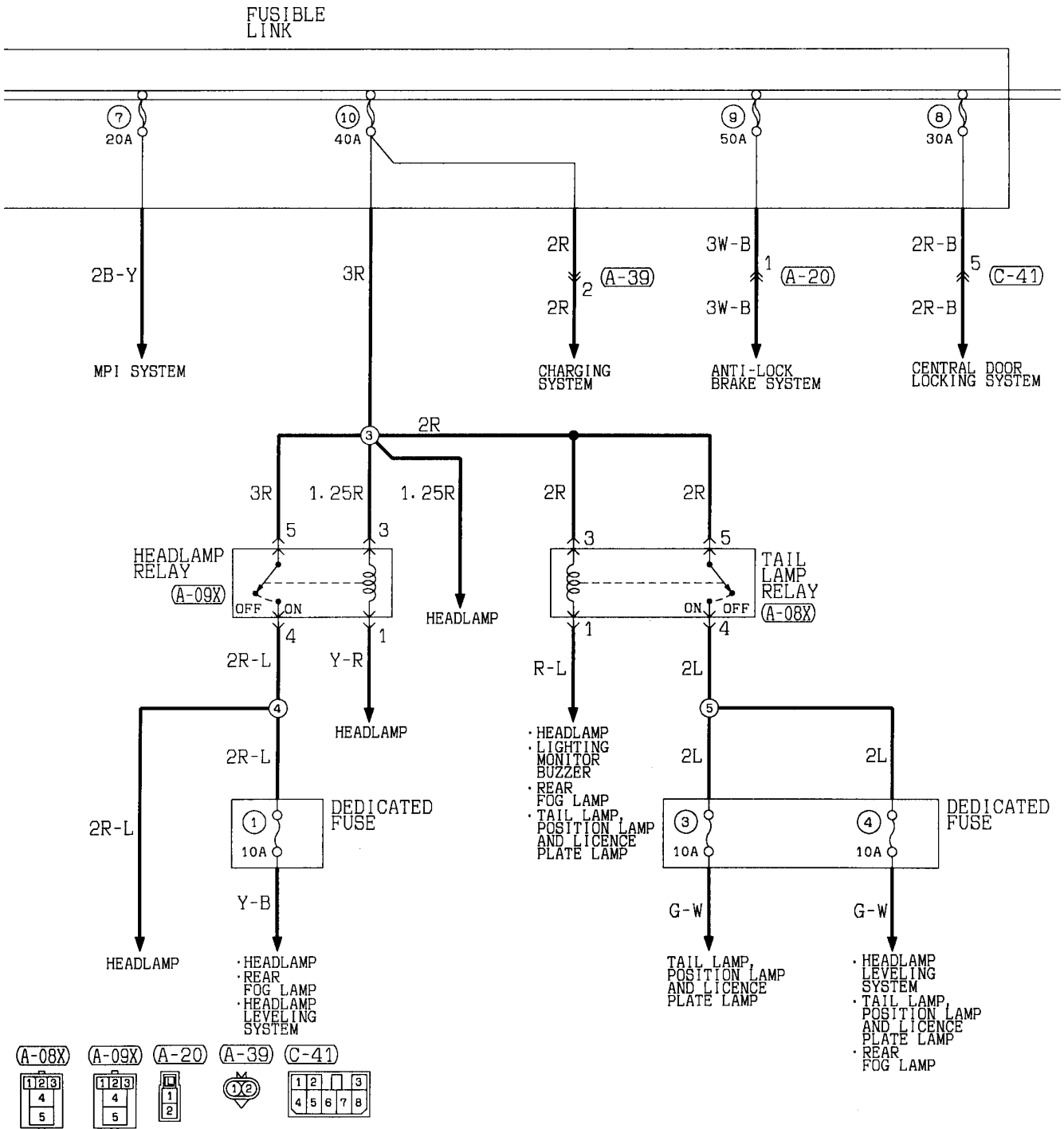


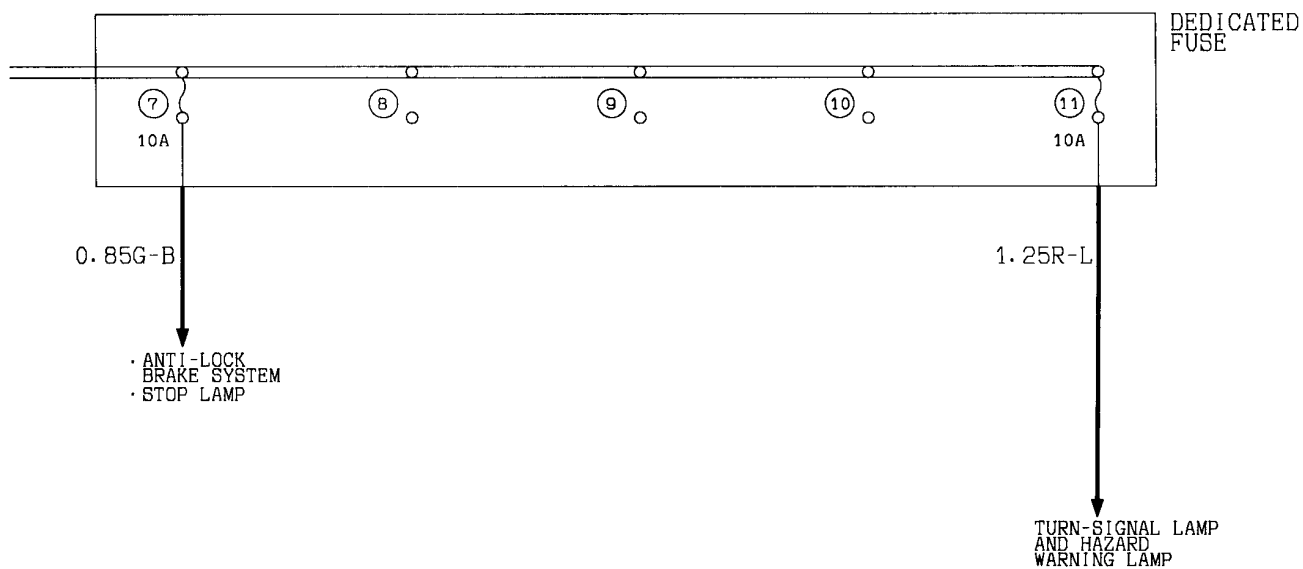
(C-41)

1	2	3
4	5	8

Wire colour code  
 B:Black    LG:Light green    G:Green    L:Blue    W:White    Y:Yellow    SB:Sky blue  
 BR:Brown    O:Orange    GR:Gray    R:Red    P:Pink    V:Violet

POWER DISTRIBUTION SYSTEM <R.H. drive vehicles> (CONTINUED)

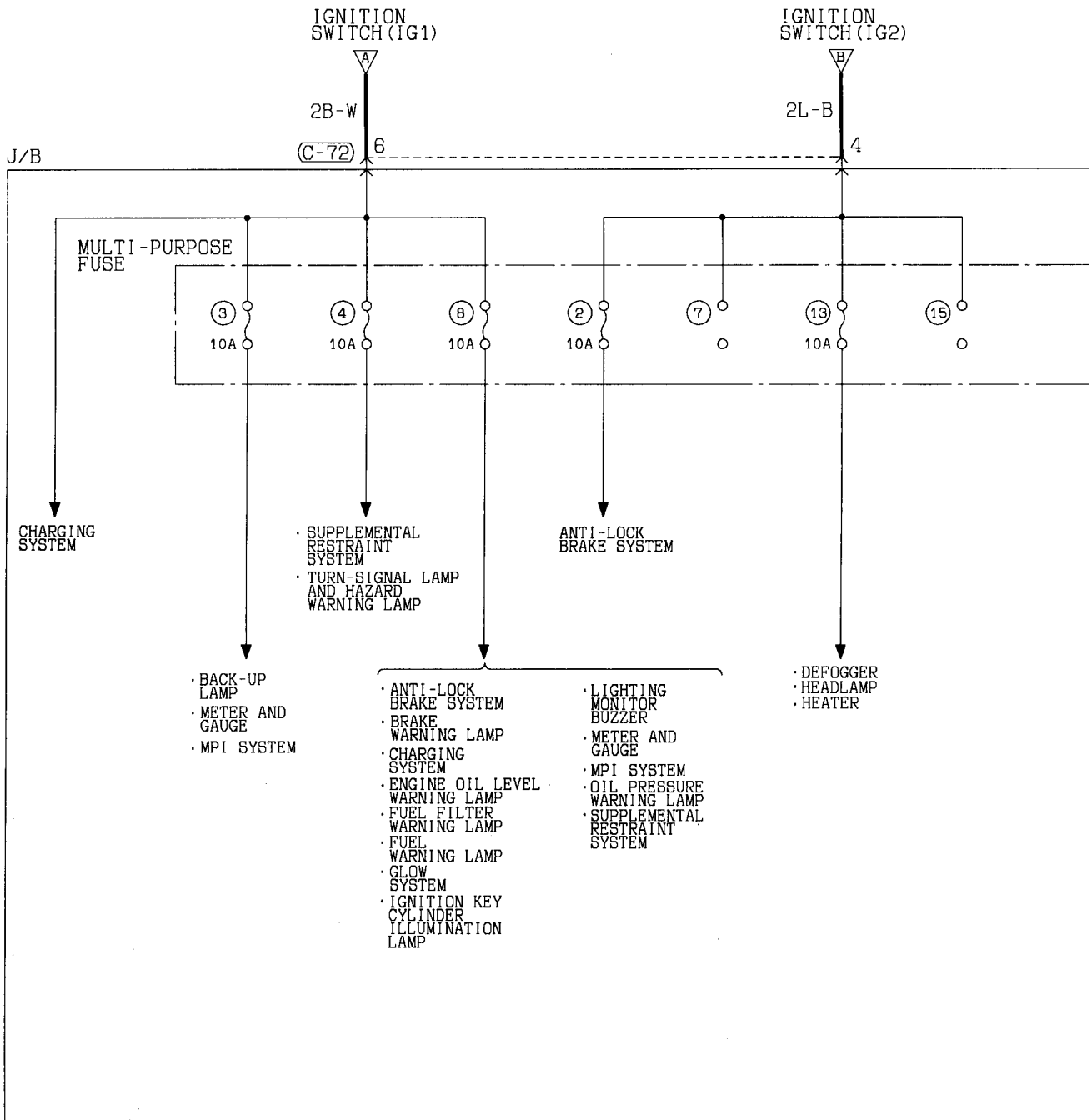




Wire colour code

B:Black LG:Light green G:Green L:Blue W:White Y:Yellow SB:Sky blue  
BR:Brown O:Orange GR:Gray R:Red P:Pink V:Violet

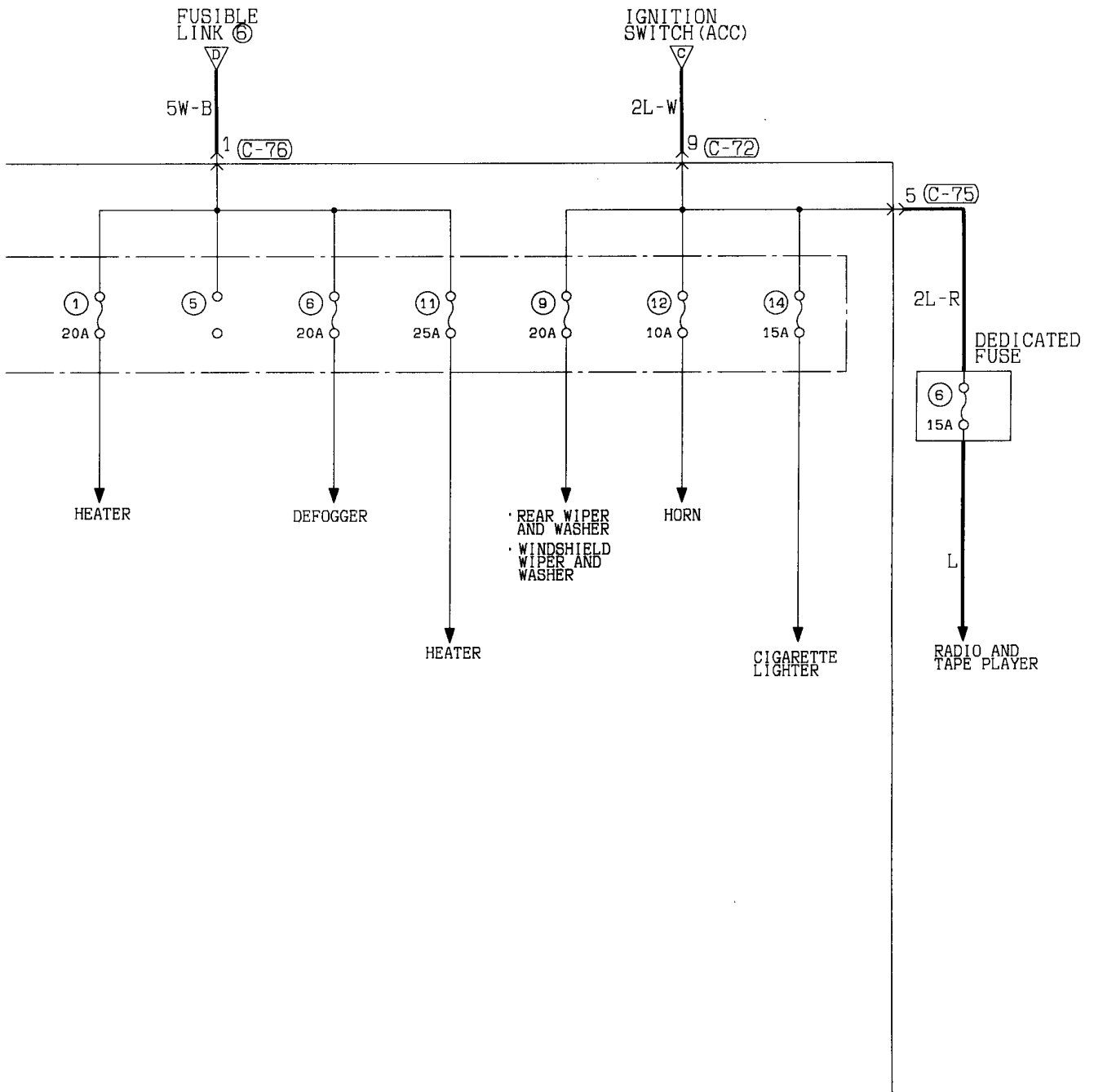
POWER DISTRIBUTION SYSTEM <R.H. drive vehicles> (CONTINUED)



C-72

1	2	3	4
5	6	7	8
9	10		

Wire colour code  
 B:Black LG:Light green G:Green L:Blue W:White Y:Yellow SB:Sky blue  
 BR:Brown O:Orange GR:Gray R:Red P:Pink V:Violet



(C-72)

1	2	3	4
5	6	7	8
9	10		

(C-75)

1	2	3	4	5	6	7	8
9	10	11	12	13	14	15	16
17	18						

(C-76)

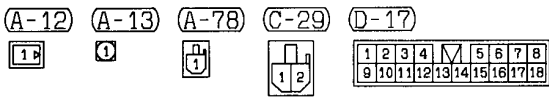
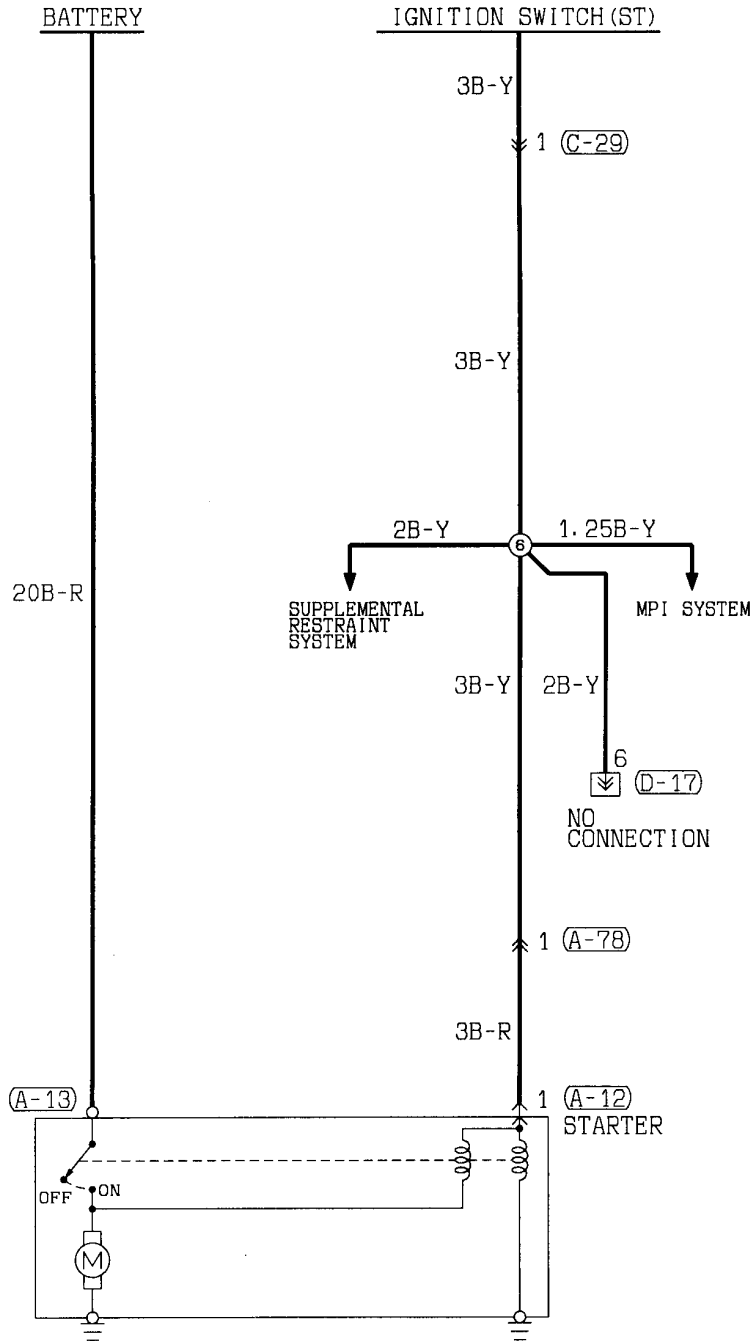
1
---



STARTING SYSTEM

120002337

R.H. drive vehicles <Petrol-powered vehicles>

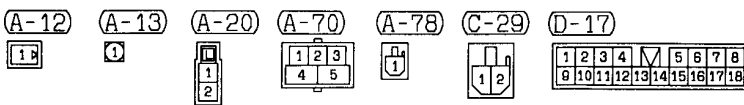
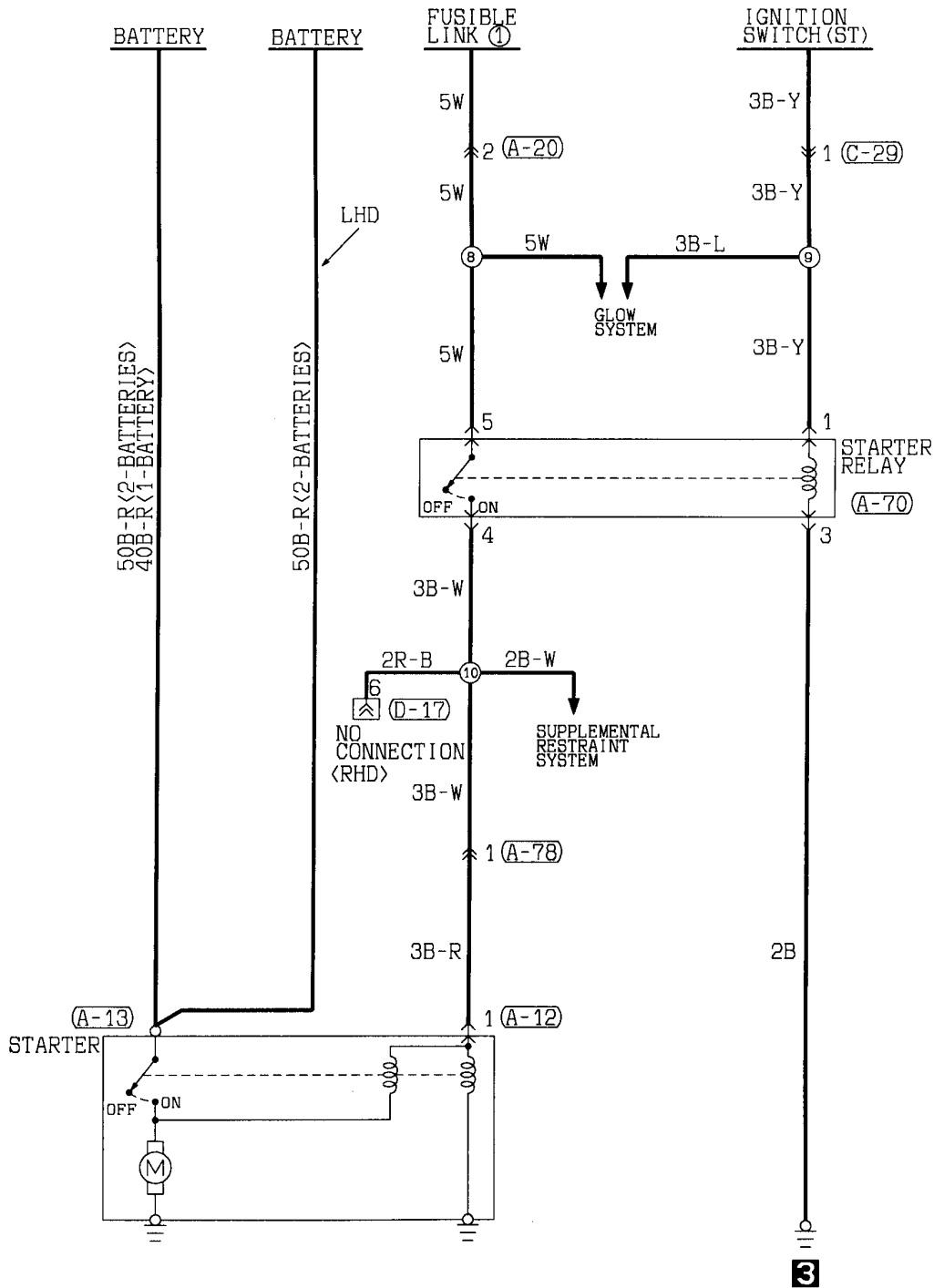


Wire colour code  
 B:Black LG:Light green G:Green L:Blue W:White Y:Yellow SB:Sky blue  
 BR:Brown O:Orange GR:Gray R:Red P:Pink V:Violet

STARTING SYSTEM

120002338

Diesel-powered vehicles



Wire colour code  
 B:Black LG:Light green G:Green L:Blue W:White Y:Yellow SB:Sky blue  
 BR:Brown O:Orange GR:Gray R:Red P:Pink V:Violet



**STARTING SYSTEM (See P. 4-28, 29, 30.)**

120002339

**OPERATION****<Petrol-powered vehicles with A/T and diesel-powered vehicles>**

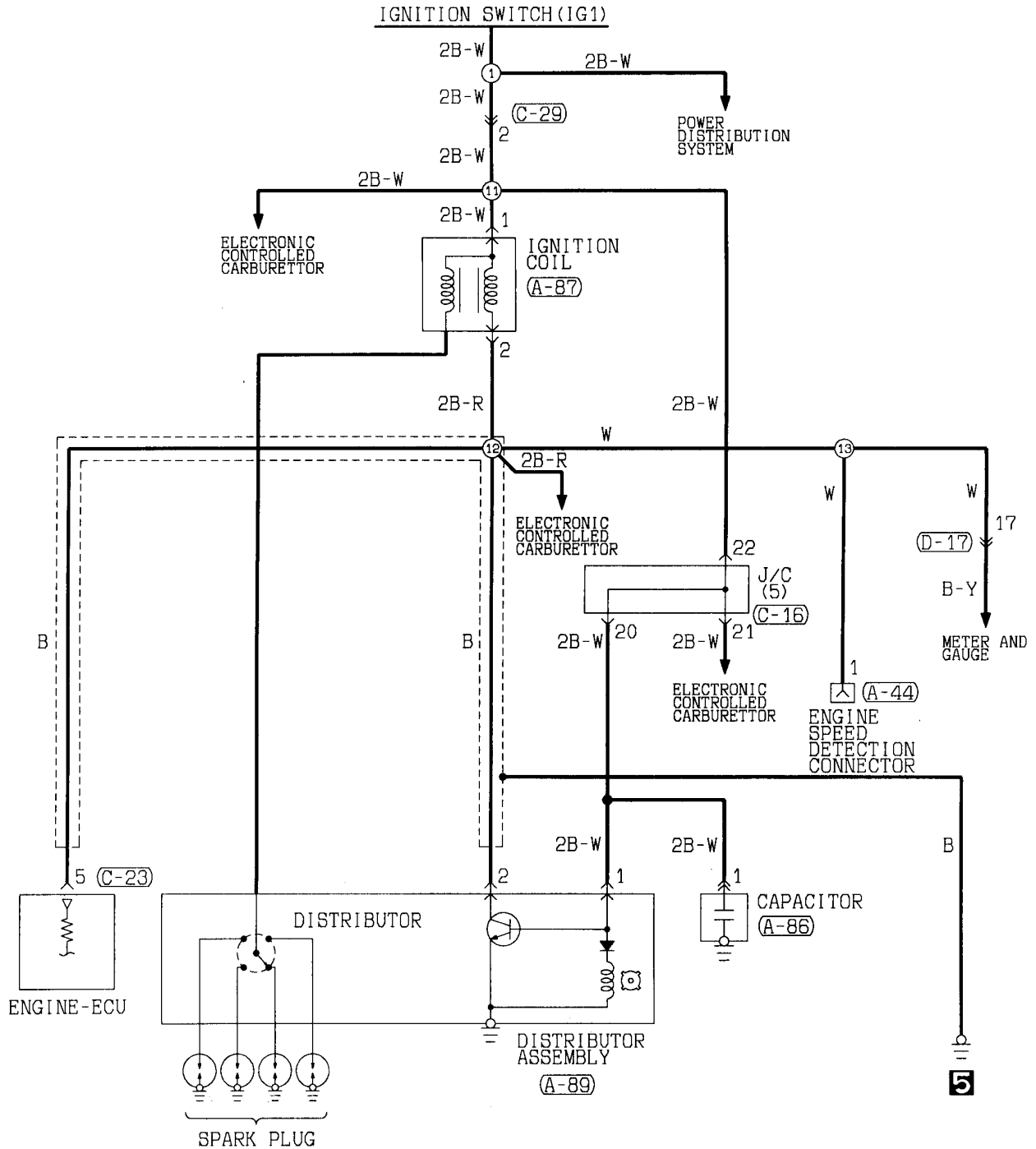
For A/T vehicles, when the selector lever is in the P or N position and the ignition switch is turned to ST position, the starter relay turns on. This causes the starter contact (magnet switch) to close, and the starter motor operates.

**TROUBLESHOOTING HINTS**

1. Starter motor does not turn over at all.
  - Check starter (coil).
  - Check battery terminals for proper contact.
  - Starter relay inspection (petrol-powered vehicles with A/T and diesel-powered vehicle).
  - Check inhibitor switch <A/T>.
2. Starter motor does not stop rotating.
  - Check starter (magnet switch).

IGNITION SYSTEM

Electronically-controlled carburettor



(A-44)	(A-86)	(A-87)	(A-89)	(C-16)	(C-23)	(C-29)	(D-17)
1	1	2	1, 2	1 2 3 4 5 6 7 8 9 10 11 12 13 14 15 16 17 18 19 20 21 22 23 24 25 26 27 28 29 30 31 32 33	1 2 3 4 5 6 7 8 9 10 11 12 13	1 2	1 2 3 4 5 6 7 8 9 10 11 12 13 14 15 16 17 18

Wire colour code  
 B:Black LG:Light green G:Green L:Blue W:White Y:Yellow SB:Sky blue  
 BR:Brown O:Orange GR:Gray R:Red P:Pink V:Violet

**IGNITION SYSTEM <Electronically-controlled carburettor> (See P. 4-32.)**

120002341

**OPERATION**

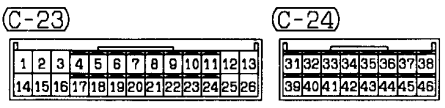
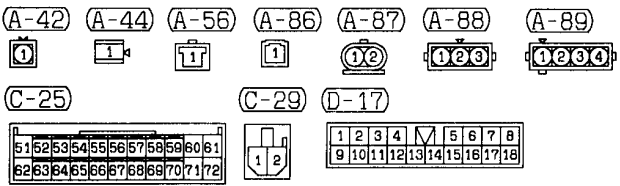
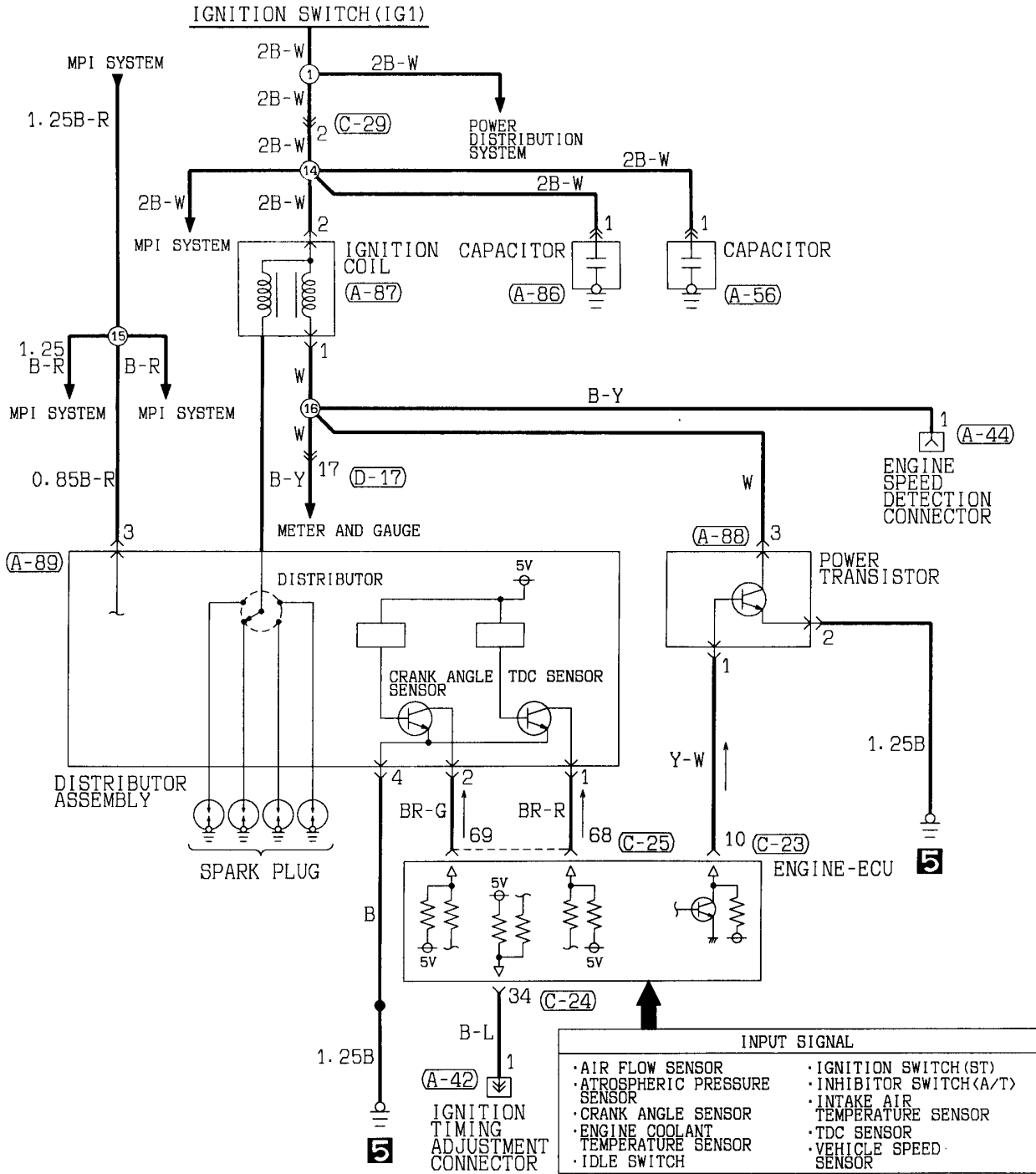
- When the engine is started, battery voltage is applied to the primary side of the ignition coil via the ignition switch (IG1 terminal).
- When the distributor shaft rotates, the ignition coil's primary current is allowed and cut off by the igniter.
- This induces a high voltage in the ignition coil secondary winding which is then distributed to the proper spark plugs.

**TROUBLESHOOTING HINTS**

1. Engine cranks, but does not start.
  - (1) Spark is insufficient or does not occur at all (on spark plug).
    - Check ignition coil.
    - Check distributor.
    - Check spark plugs.
  - (2) Spark is good.
    - Check ignition timing.
2. Engine idles roughly or stalls.
  - Check spark plugs.
  - Check ignition timing.
  - Check ignition coil.
3. Poor acceleration.
  - Check ignition timing.
  - Check spark plugs.
4. Engine overheats or consumes excessive fuel.
  - Check ignition timing.
  - Check spark plugs.

IGNITION SYSTEM  
MPI

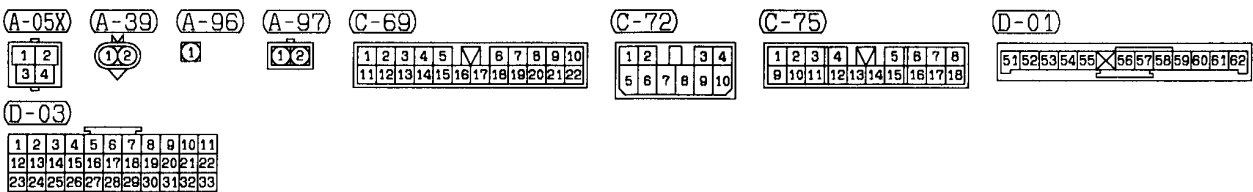
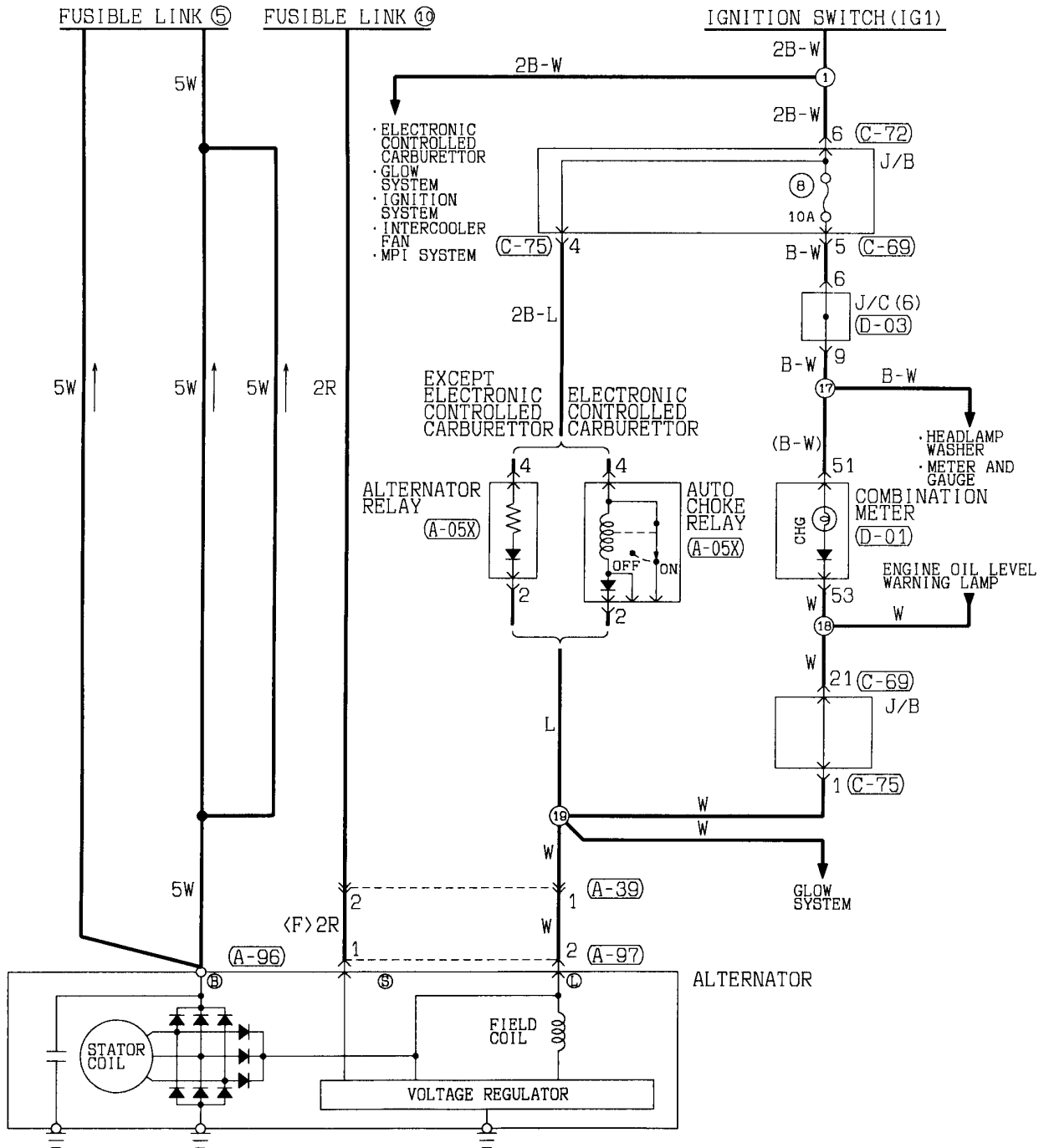
120002342



NOTES

CHARGING SYSTEM

120002343



**CHARGING SYSTEM (See P. 4-36.)**

120002344

**OPERATION****When engine is stationary**

- When the ignition switch is turned to the ON position, current flows the alternator L terminal to the field coil and, at the same time, the charge warning lamp illuminates.

**When engine is started and after engine has started**

- When the engine is started, the charge warning lamp goes out because of the charging voltage begin applied to the alternator L terminal.
- The battery voltage being applied to the alternator S terminal is monitored by the voltage regulator. Therefore, the amount of electricity produced by the alternator is controlled by allowing and cutting off the current flowing to the field coil.
- The alternator B terminal supplies power to each load.

**Remark**

- The alternator relay or auto choke relay is provided to back up the flow of current to the field coil when the charge warning lamp is open.

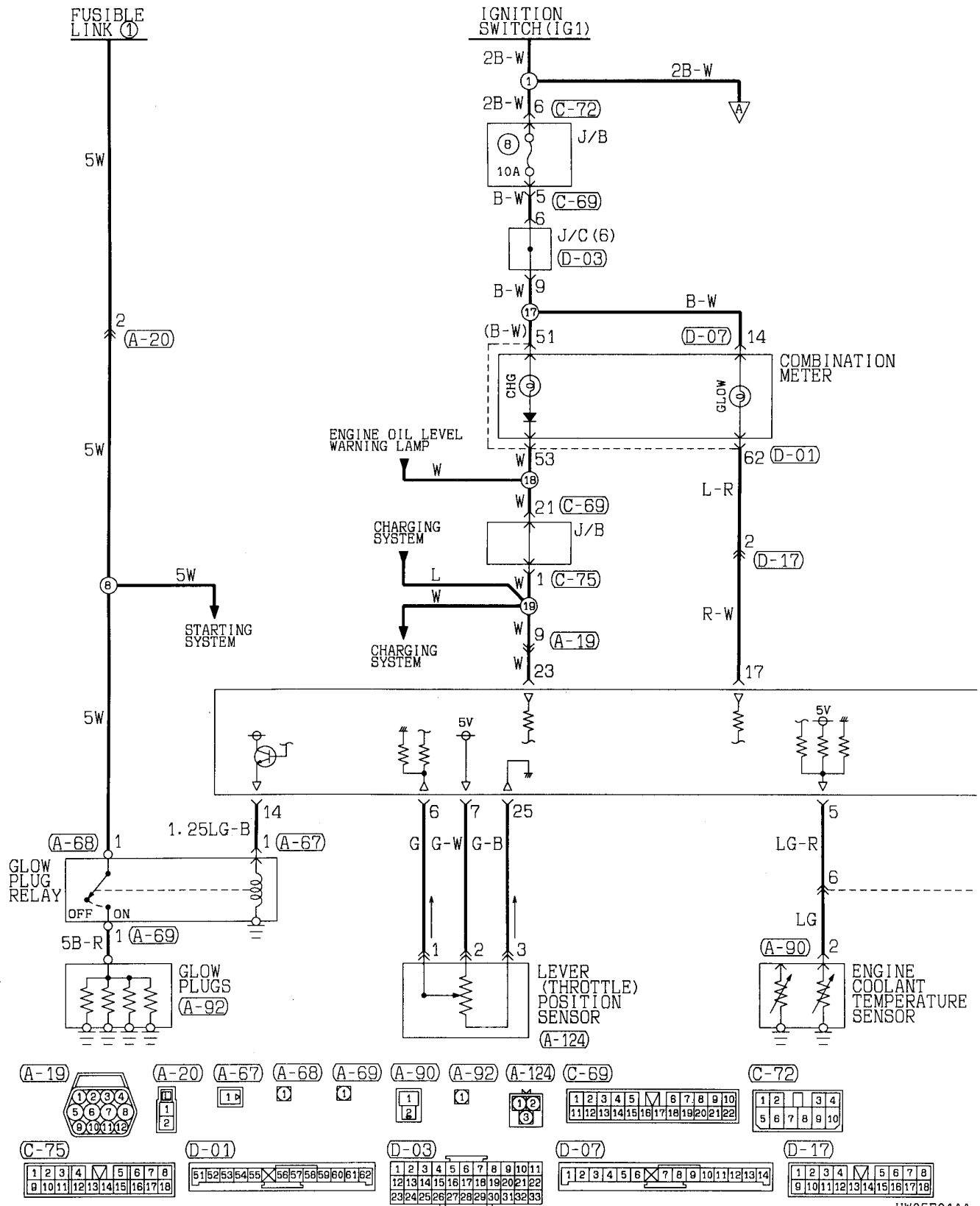
**TROUBLESHOOTING HINTS**

1. Charging indicator lamp does not illuminate when the ignition switch is turned to ON position, before the engine starts.
  - Check multi-purpose fuse No. (8)
  - Check the bulb.
2. Charging indicator lamp fails to switch off once the engine starts.
  - Check voltage regulator of alternator.
3. Discharged or overcharged battery.
  - Check voltage regulator of alternator.
4. Charge warning lamp illuminates dimly.
  - Check combination meter diode (for short).

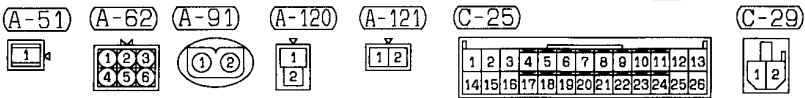
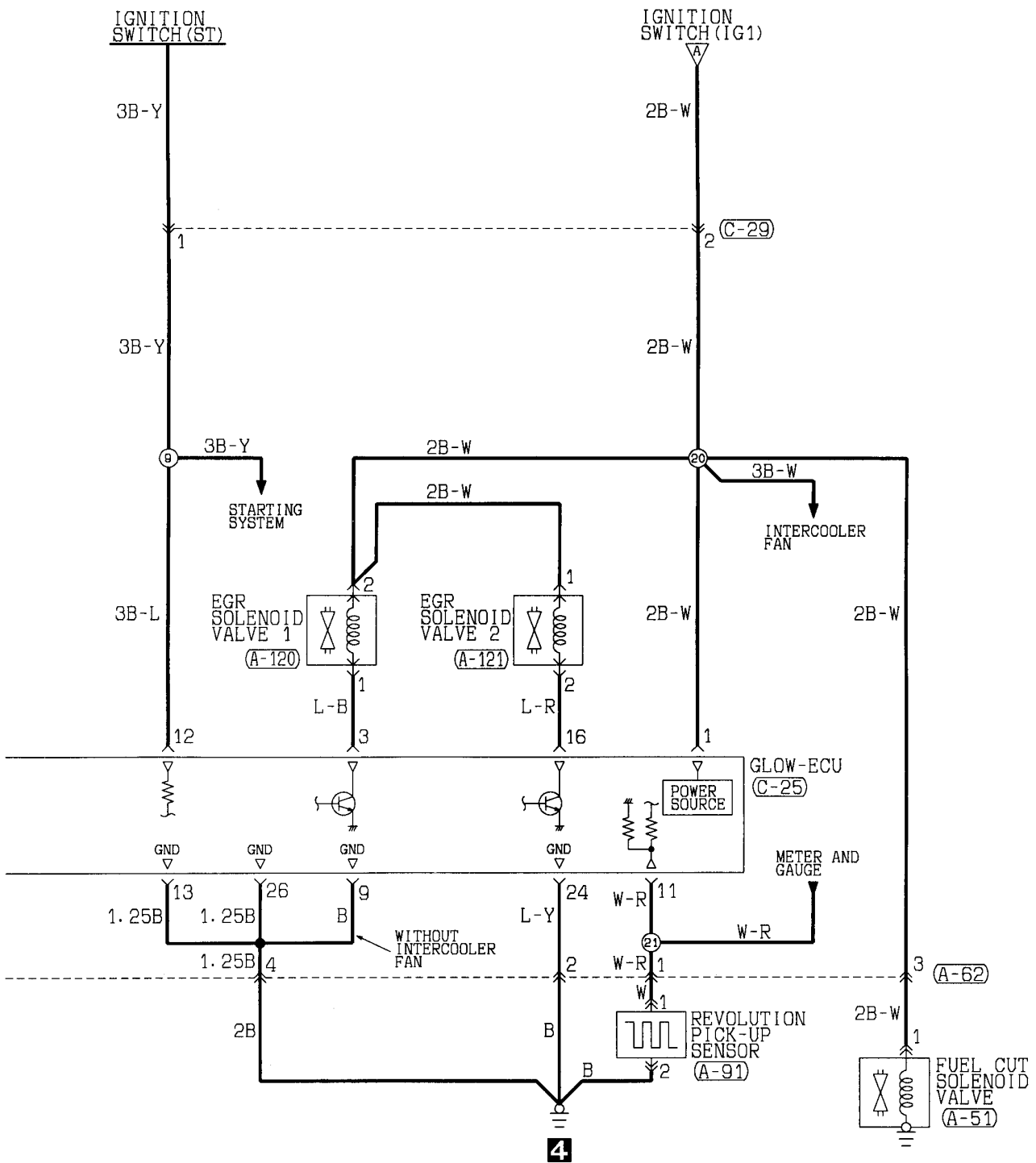
# GLOW SYSTEM

120002345

Vehicles with EGR system





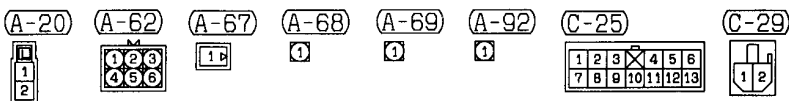
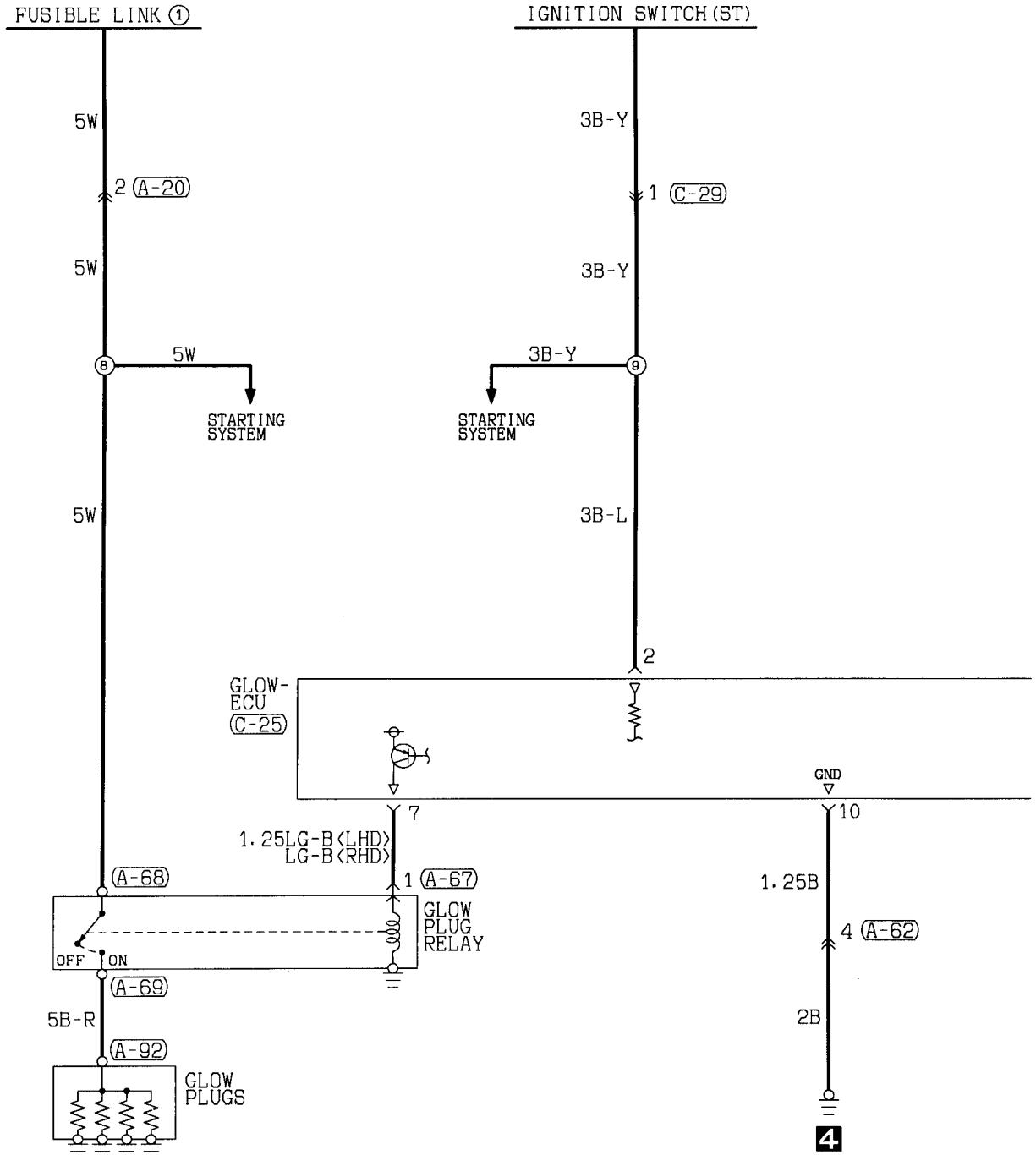


Wire colour code  
 B:Black LG:Light green G:Green L:Blue W:White Y:Yellow SB:Sky blue  
 BR:Brown O:Orange GR:Gray R:Red P:Pink V:Violet

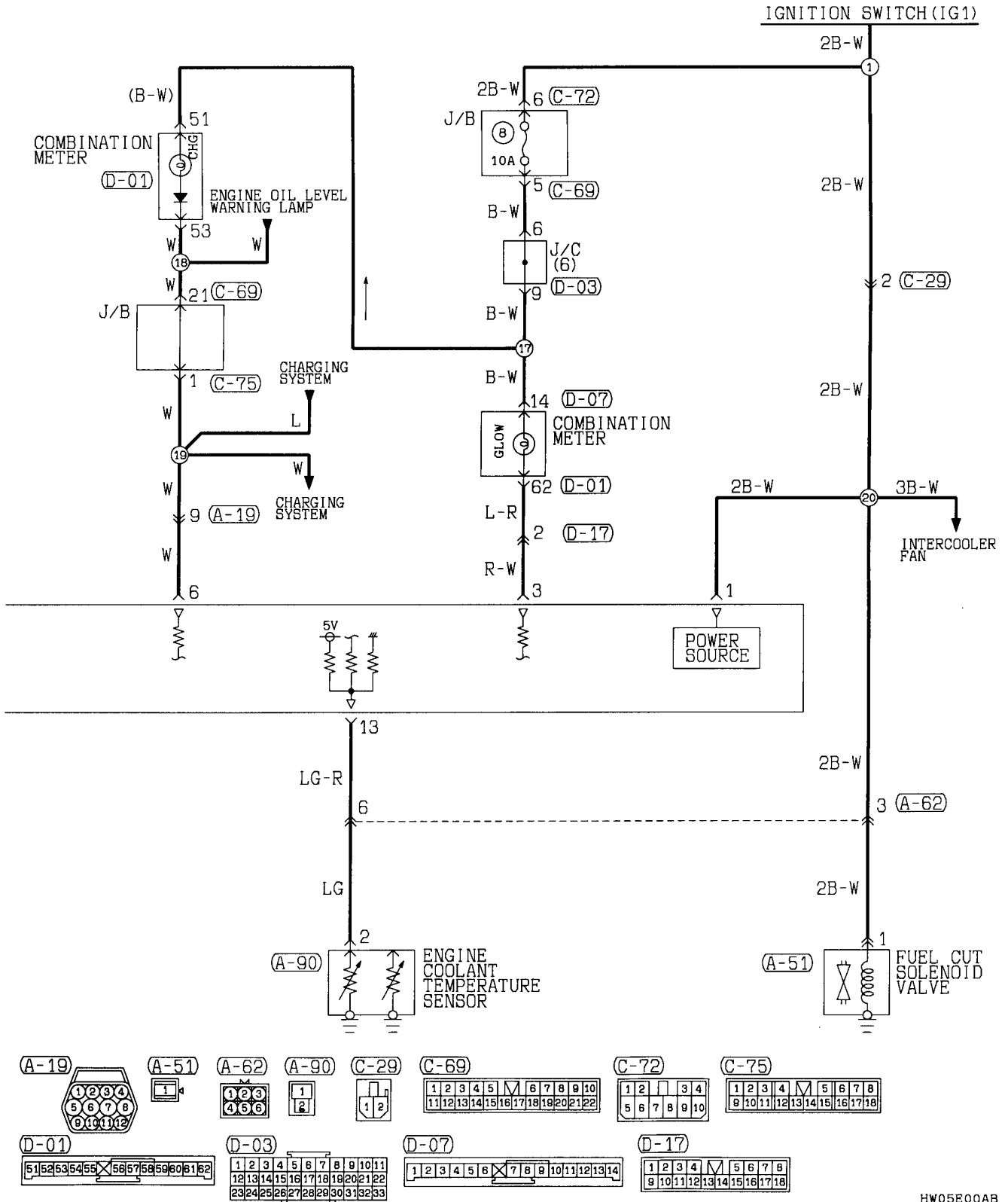
GLOW SYSTEM

120002346

Vehicles without EGR system

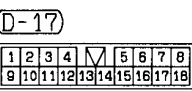
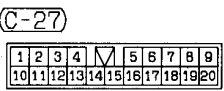
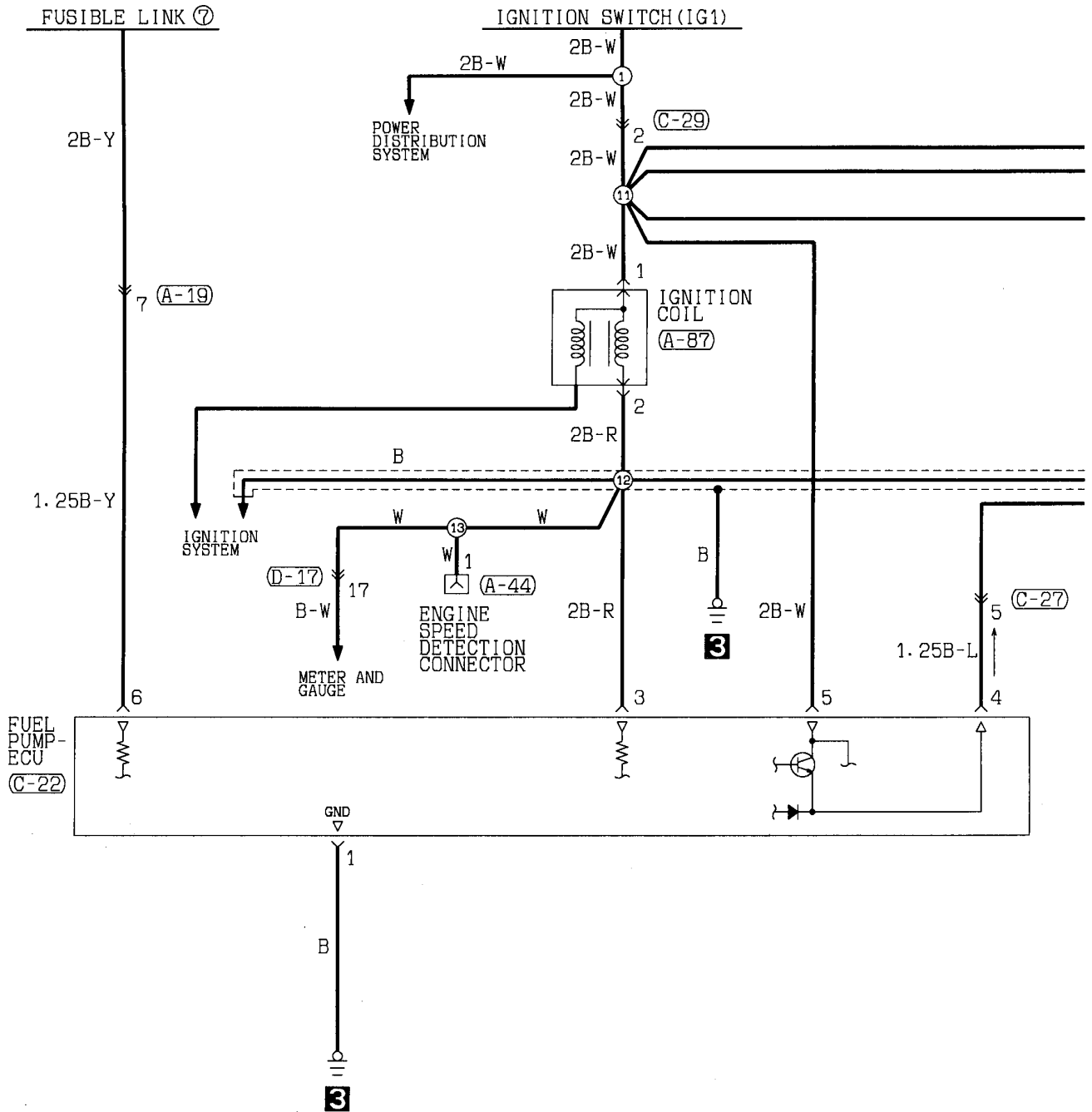


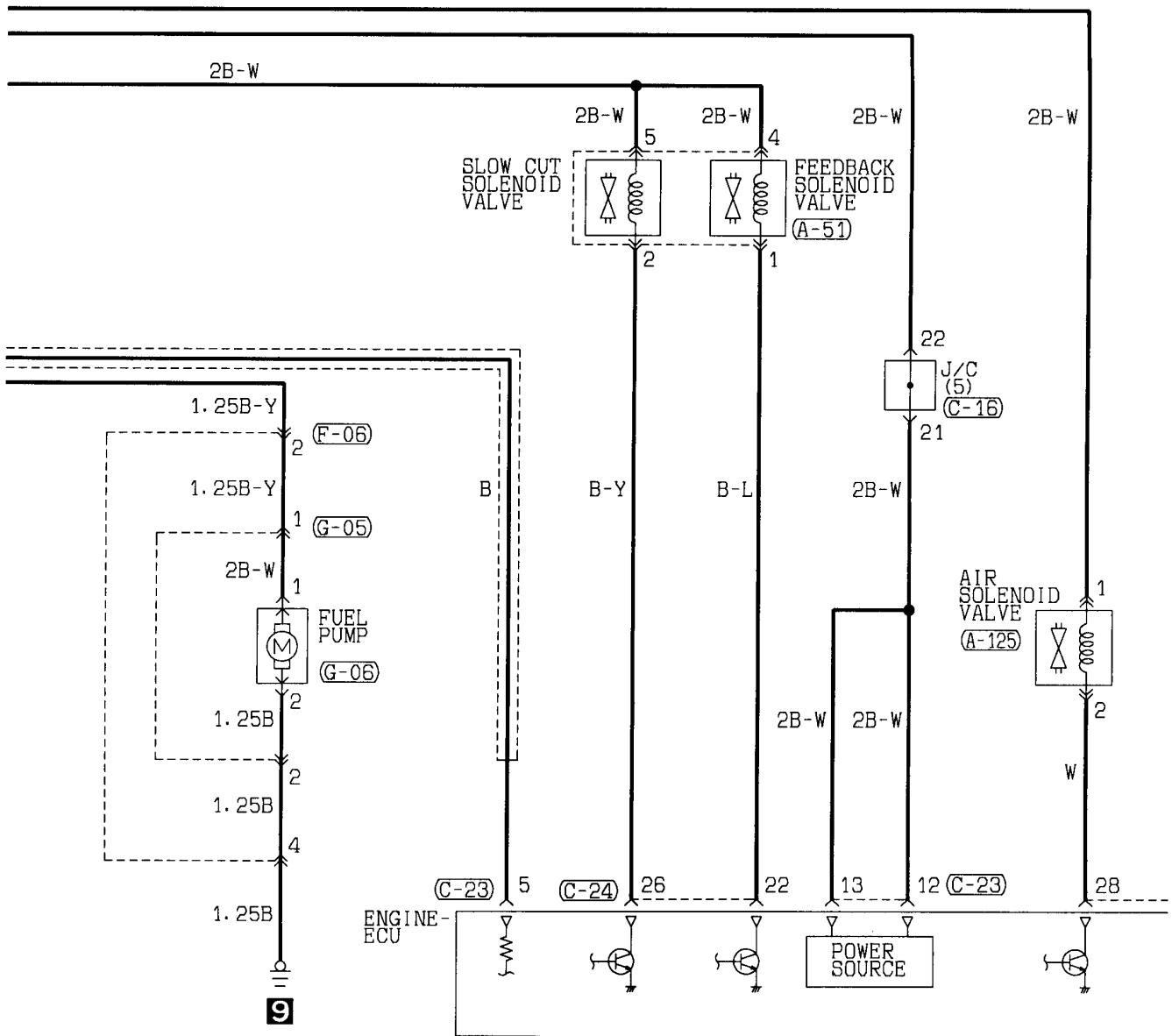
Wire colour code  
 B:Black LG:Light green G:Green L:Blue W:White Y:Yellow SB:Sky blue  
 BR:Brown O:Orange GR:Gray R:Red P:Pink V:Violet



ELECTRONICALLY-CONTROLLED CARBURETTOR

120002347

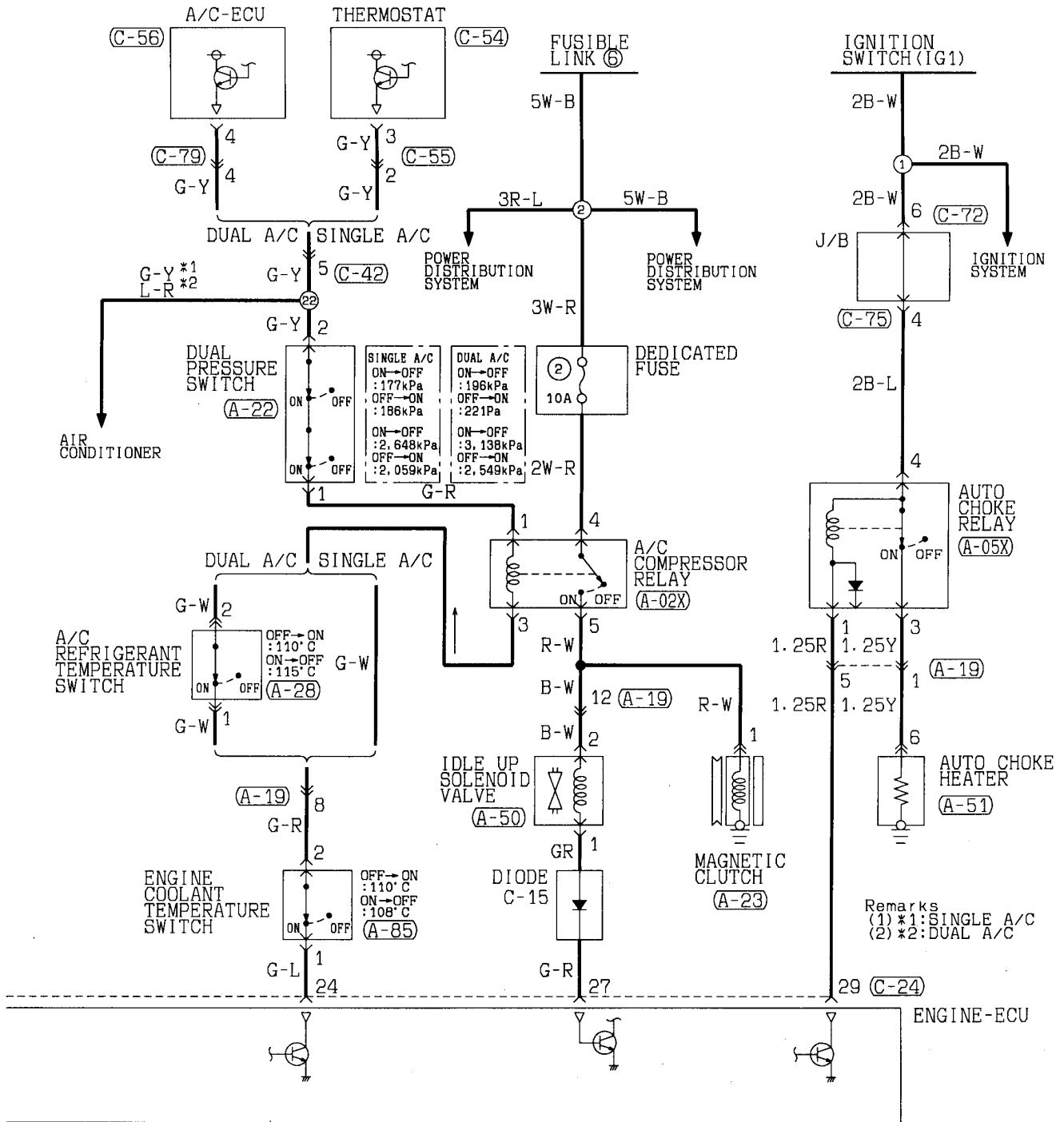




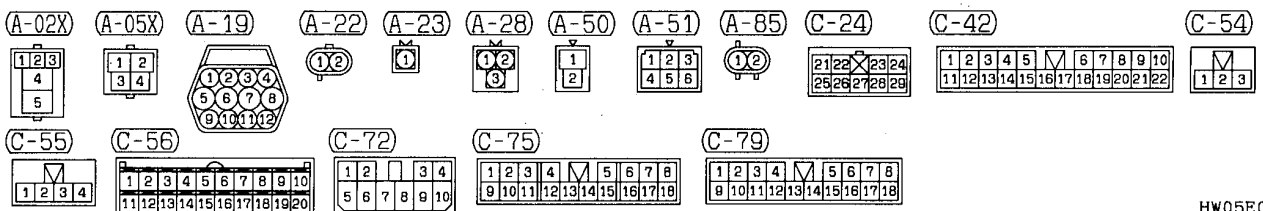
(A-51)	(A-125)	(C-16)	(C-23)	(C-24)	(F-06)	(G-05)	(G-06)
1 2 3 4 5 6	1 2	1 2 3 4 5 6 7 8 9 10 11 12 13 14 15 16 17 18 19 20 21 22 23 24 25 26 27 28 29 30 31 32 33	1 2 3 4 5 6 7 8 9 10 11 12 13	21 22 23 24 25 26 27 28 29	1 2 3 4 5 6 7 8	(12)	(12)

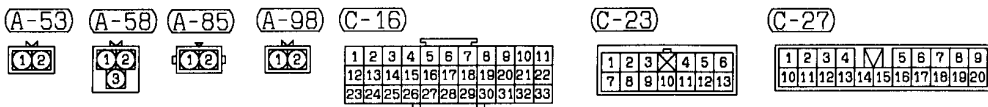
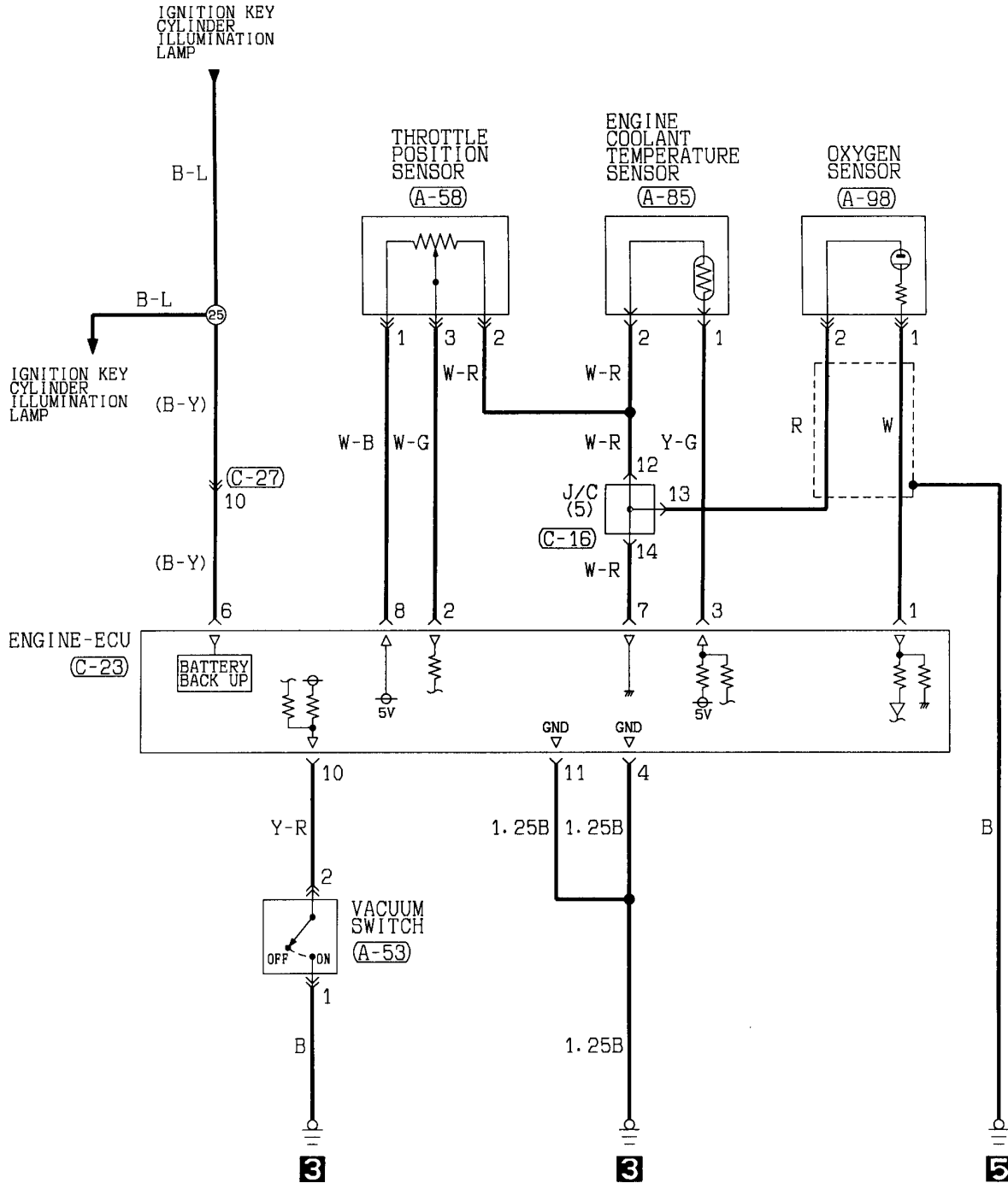
Wire colour code  
 B:Black LG:Light green G:Green L:Blue W:White Y:Yellow SB:Sky blue  
 BR:Brown O:Orange GR:Gray R:Red P:Pink V:Violet

ELECTRONICALLY-CONTROLLED CARBURETTOR (CONTINUED)



Remarks  
 (1)\*1: SINGLE A/C  
 (2)\*2: DUAL A/C



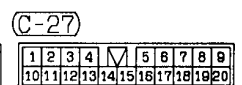
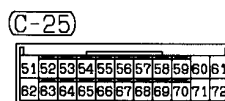
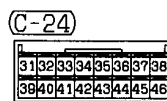
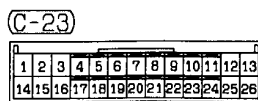
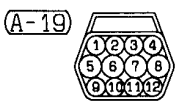
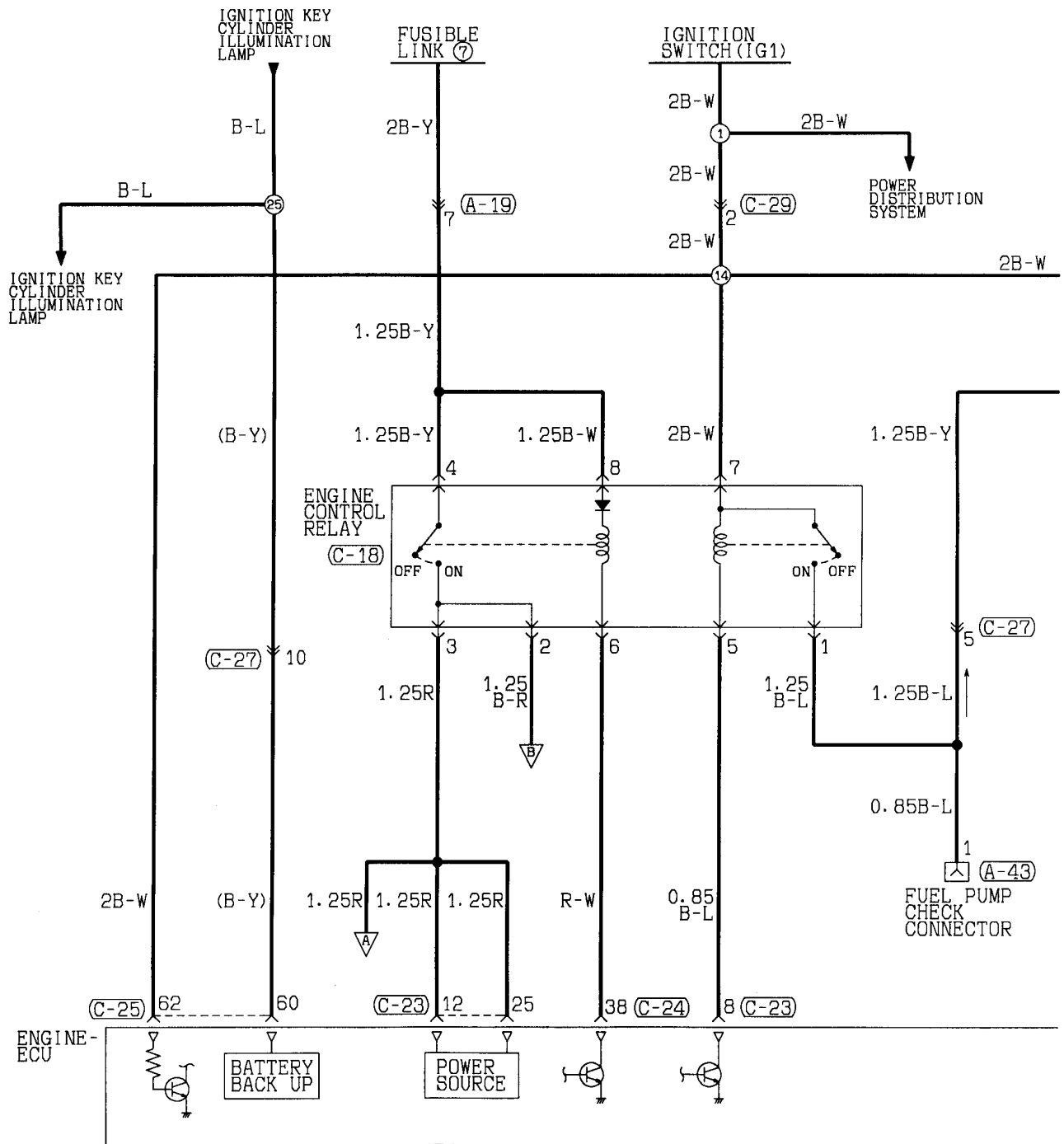


Wire colour code  
 B:Black LG:Light green G:Green L:Blue W:White Y:Yellow SB:Sky blue  
 BR:Brown O:Orange GR:Gray R:Red P:Pink V:Violet

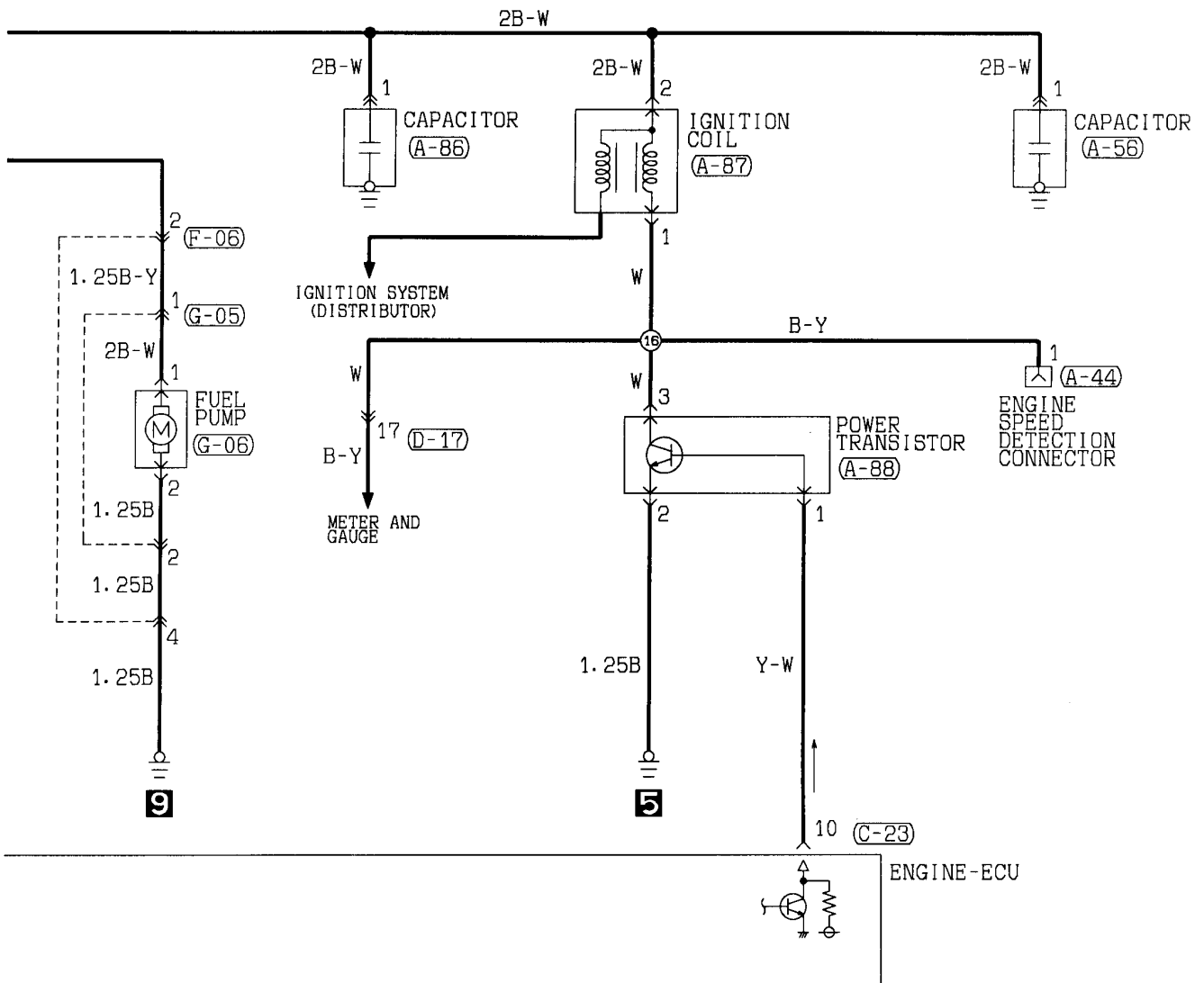
MPI SYSTEM

120002348

L.H. drive vehicles







- (A-44)
- (A-56)
- (A-86)
- (A-87)
- (A-88)
- (C-23) 

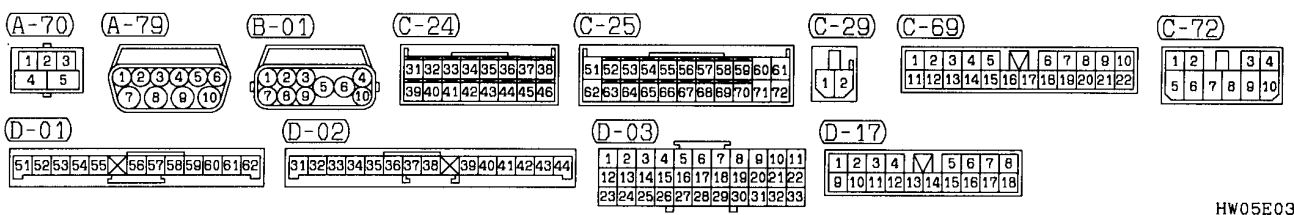
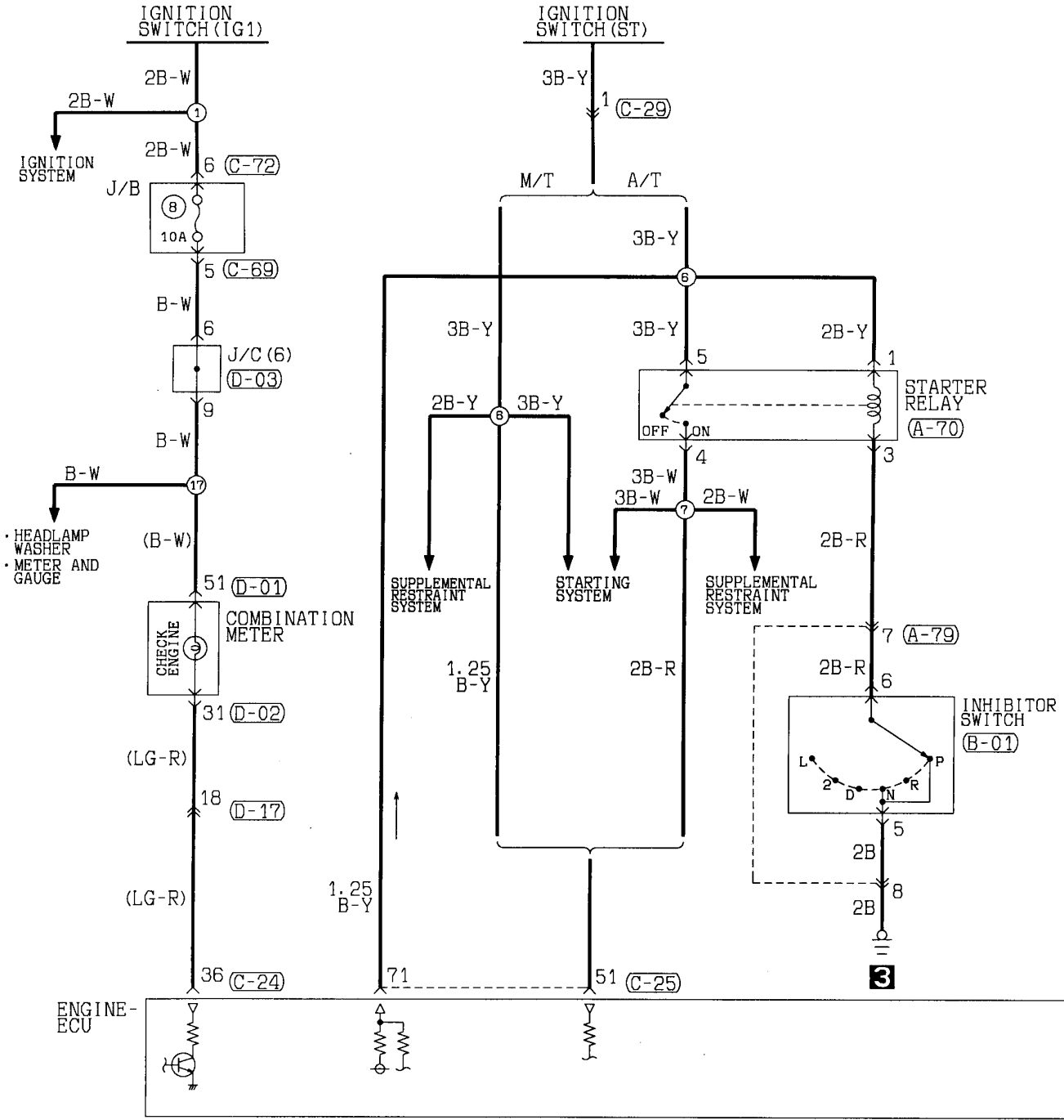
1	2	3	4	5	6	7	8	9	10	11	12	13
14	15	16	17	18	19	20	21	22	23	24	25	26
- (D-17) 

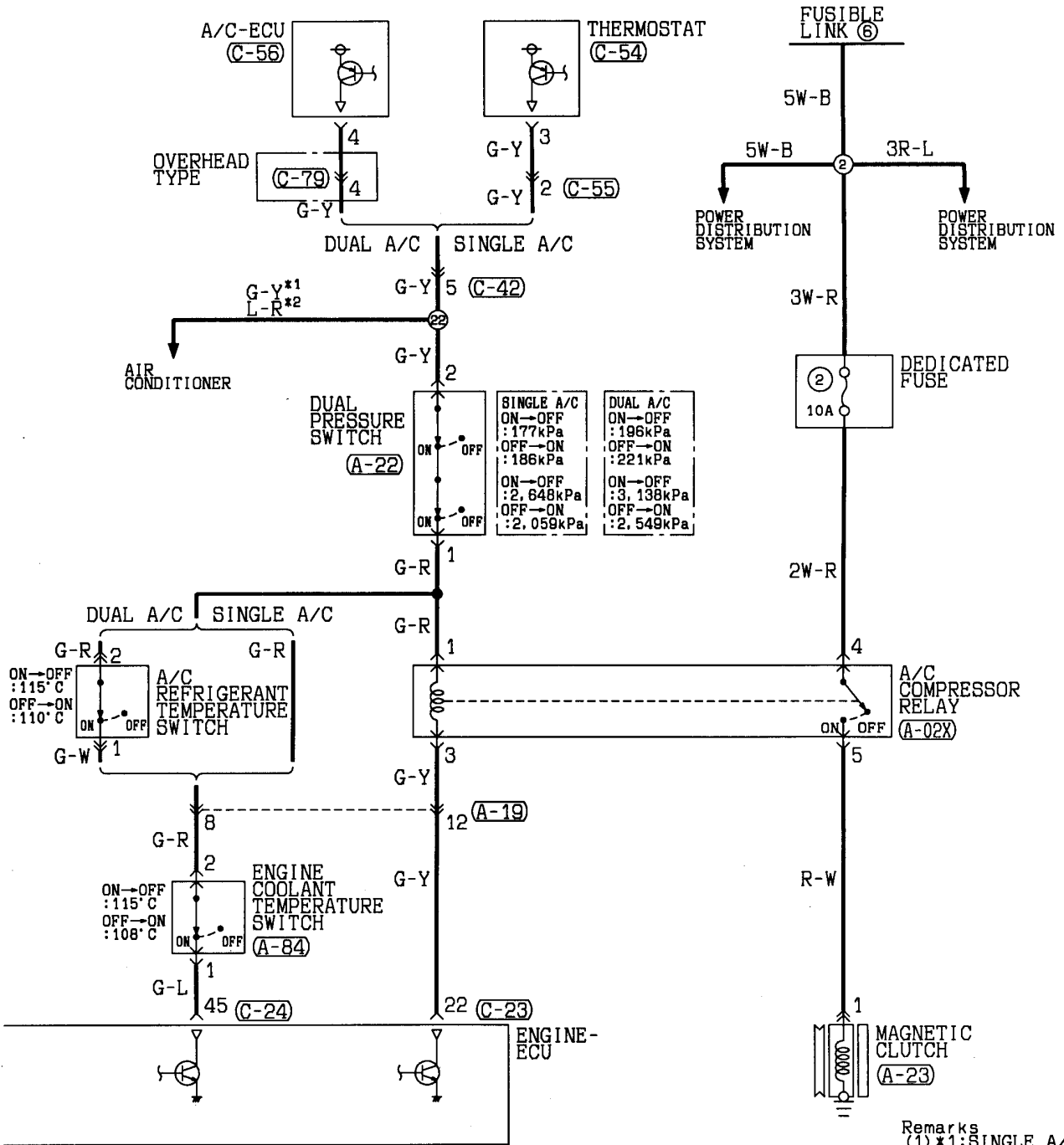
1	2	3	4	5	6	7	8		
9	10	11	12	13	14	15	16	17	18
- (F-06) 

1	2	3		
4	5	6	7	8
- (G-05)
- (G-06)

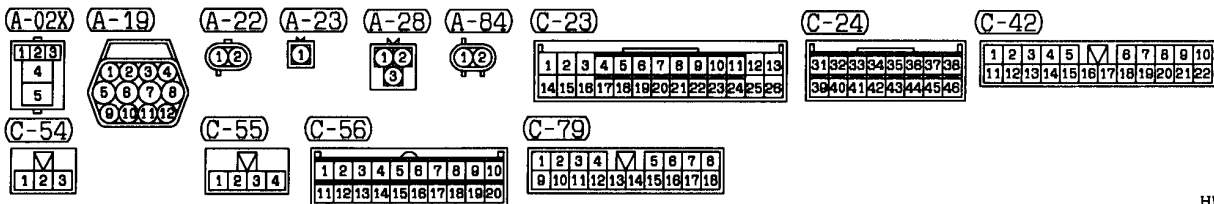
Wire colour code  
 B:Black LG:Light green G:Green L:Blue W:White Y:Yellow SB:Sky blue  
 BR:Brown O:Orange GR:Gray R:Red P:Pink V:Violet

MPI SYSTEM <L.H. drive vehicles> (CONTINUED)

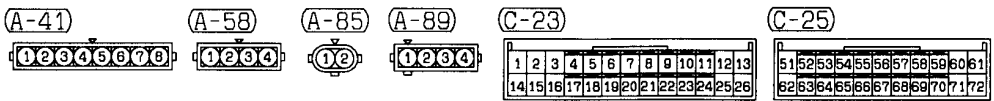
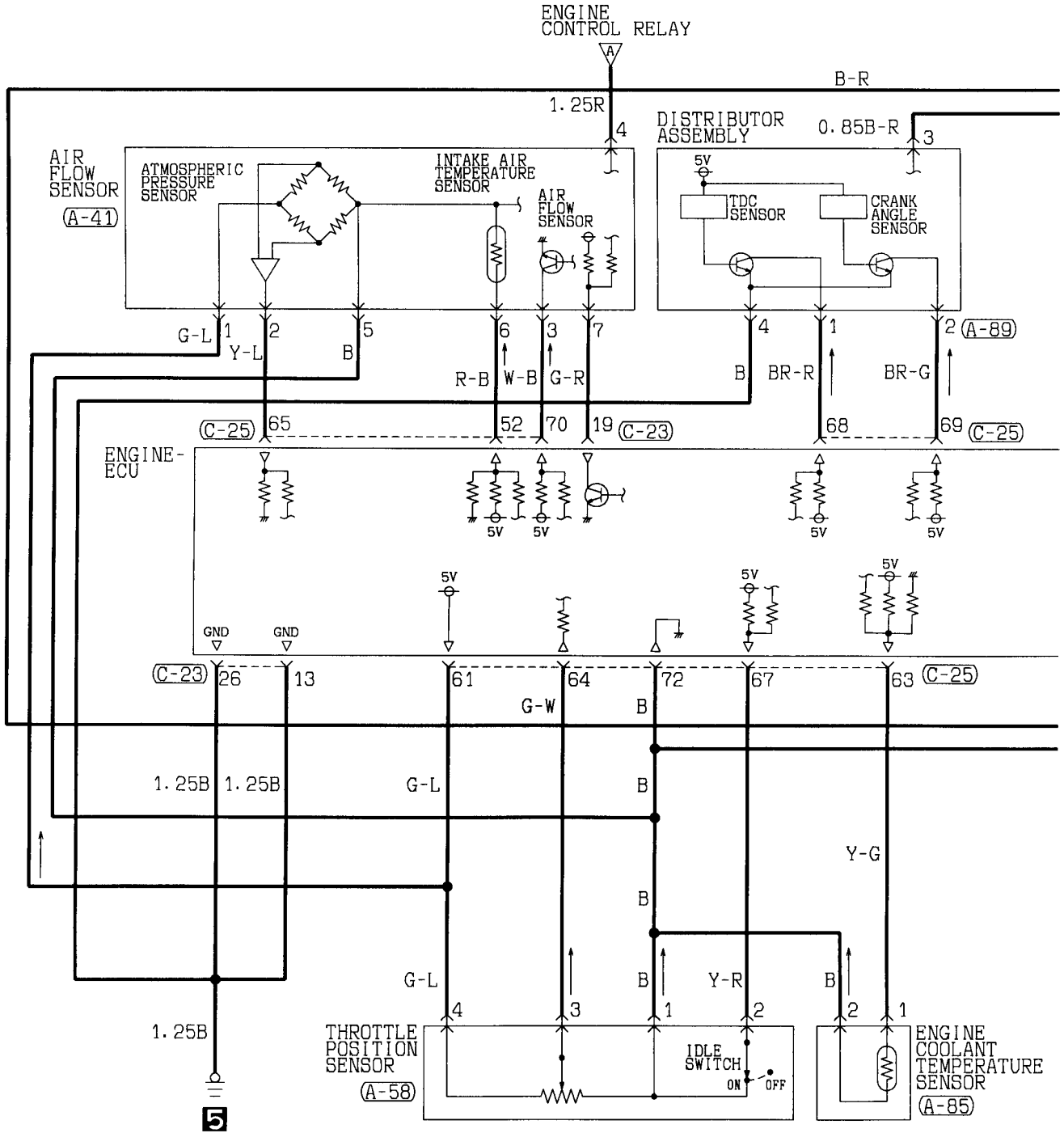




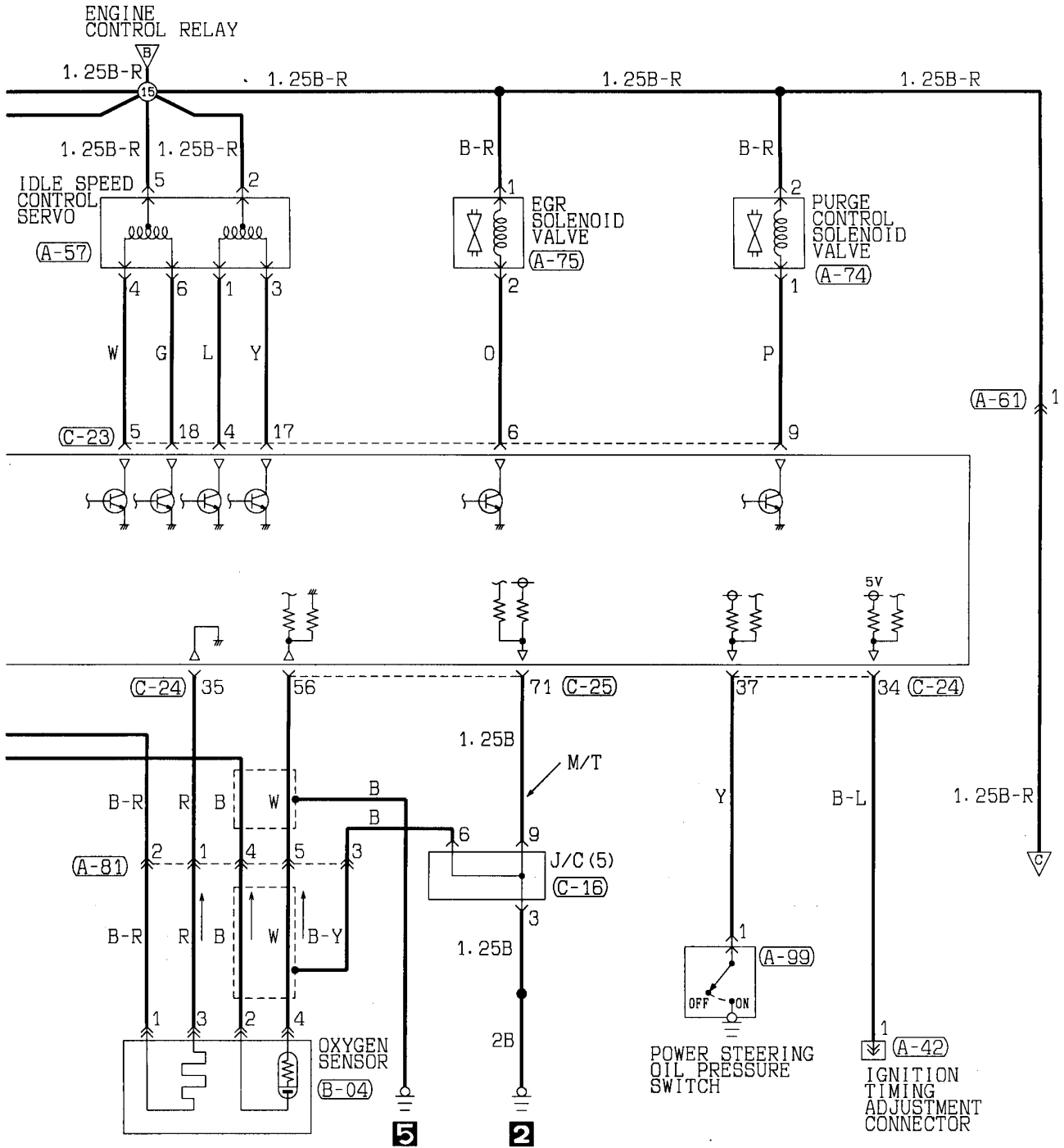
Remarks  
 (1) \*1: SINGLE A/C  
 (2) \*2: DUAL A/C



MPI SYSTEM <L.H. drive vehicles> (CONTINUED)

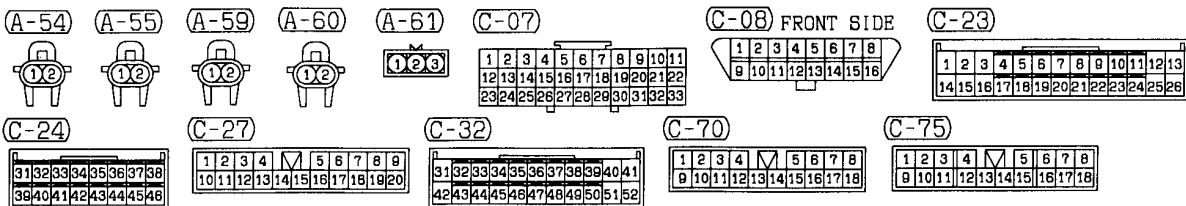
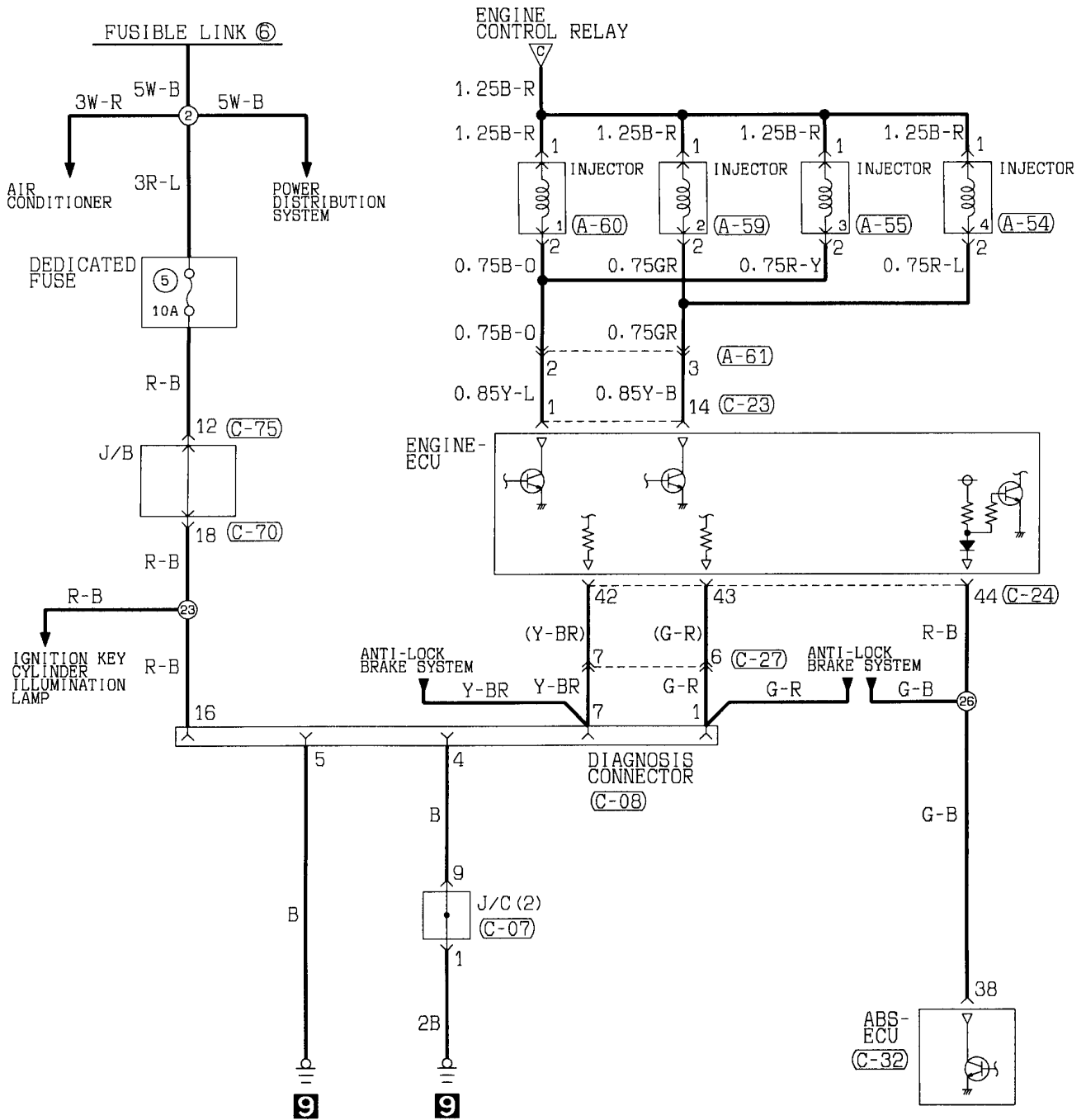


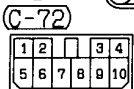
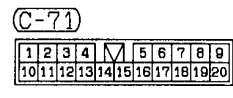
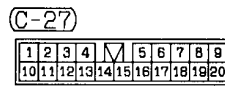
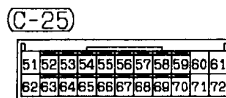
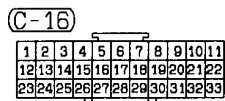
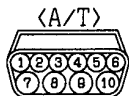
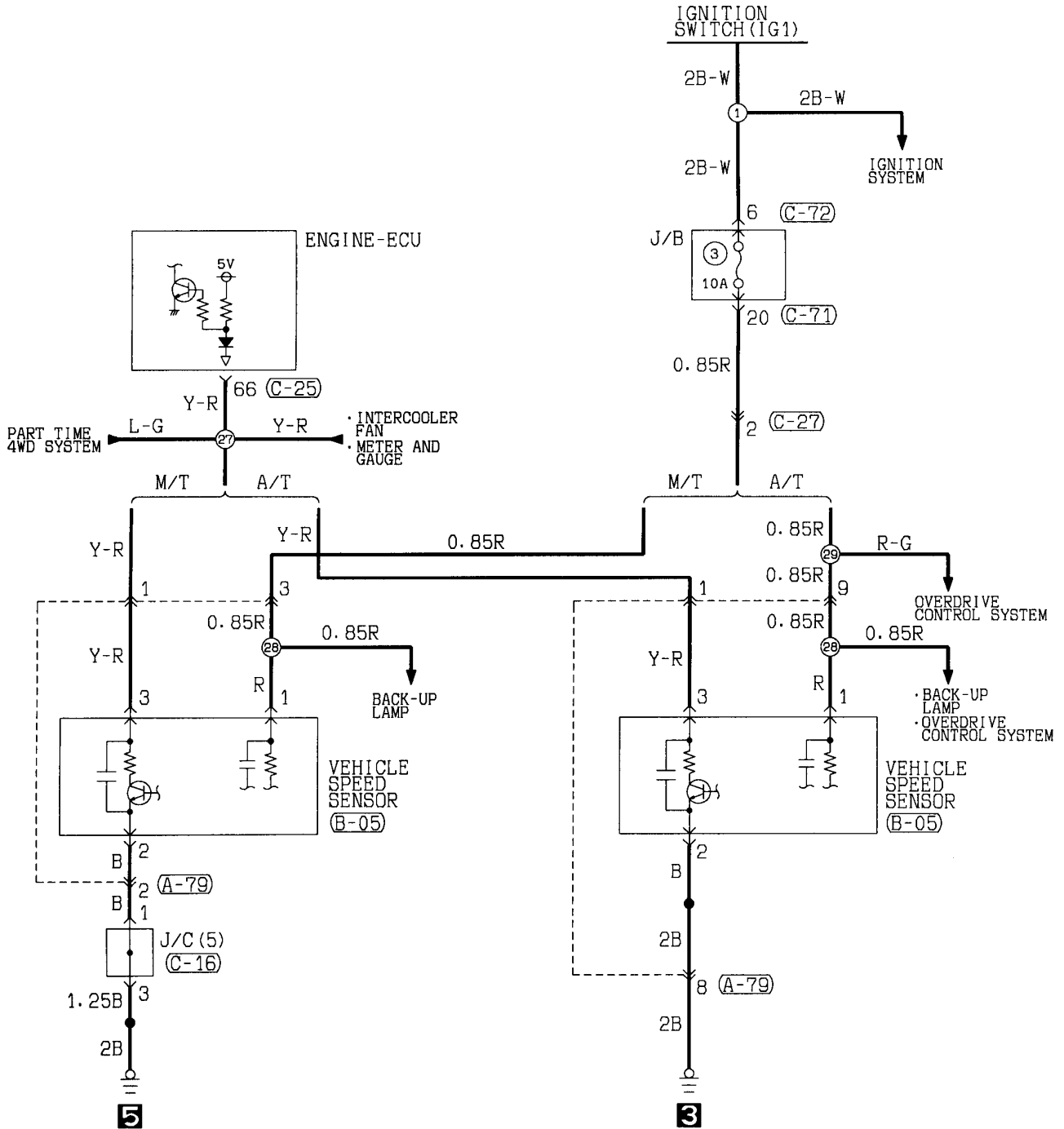
Wire colour code  
 B:Black LG:Light green G:Green L:Blue W:White Y:Yellow SB:Sky blue  
 BR:Brown O:Orange GR:Gray R:Red P:Pink V:Violet



A-42	A-57	A-61	A-74	A-75	A-81	A-99	B-04	C-16	C-23
1	1 2 3 4 5 6	1 2 3	1	1 2	1 2 3 4 5 6	1 2 3 4 5 6	1 2	1 2 3 4 5 6 7 8 9 10 11 12 13 14 15 16 17 18 19 20 21 22 23 24 25 26 27 28 29 30 31 32 33	1 2 3 4 5 6 7 8 9 10 11 12 13 14 15 16 17 18 19 20 21 22 23 24 25 26
C-24	C-25								
31 32 33 34 35 36 37 38 39 40 41 42 43 44 45 46	51 52 53 54 55 56 57 58 59 60 61 62 63 64 65 66 67 68 69 70 71 72								

MPI SYSTEM <L.H. drive vehicles> (CONTINUED)

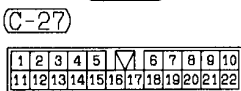
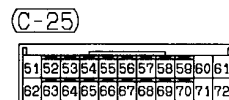
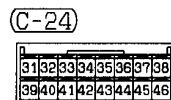
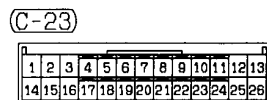
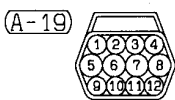
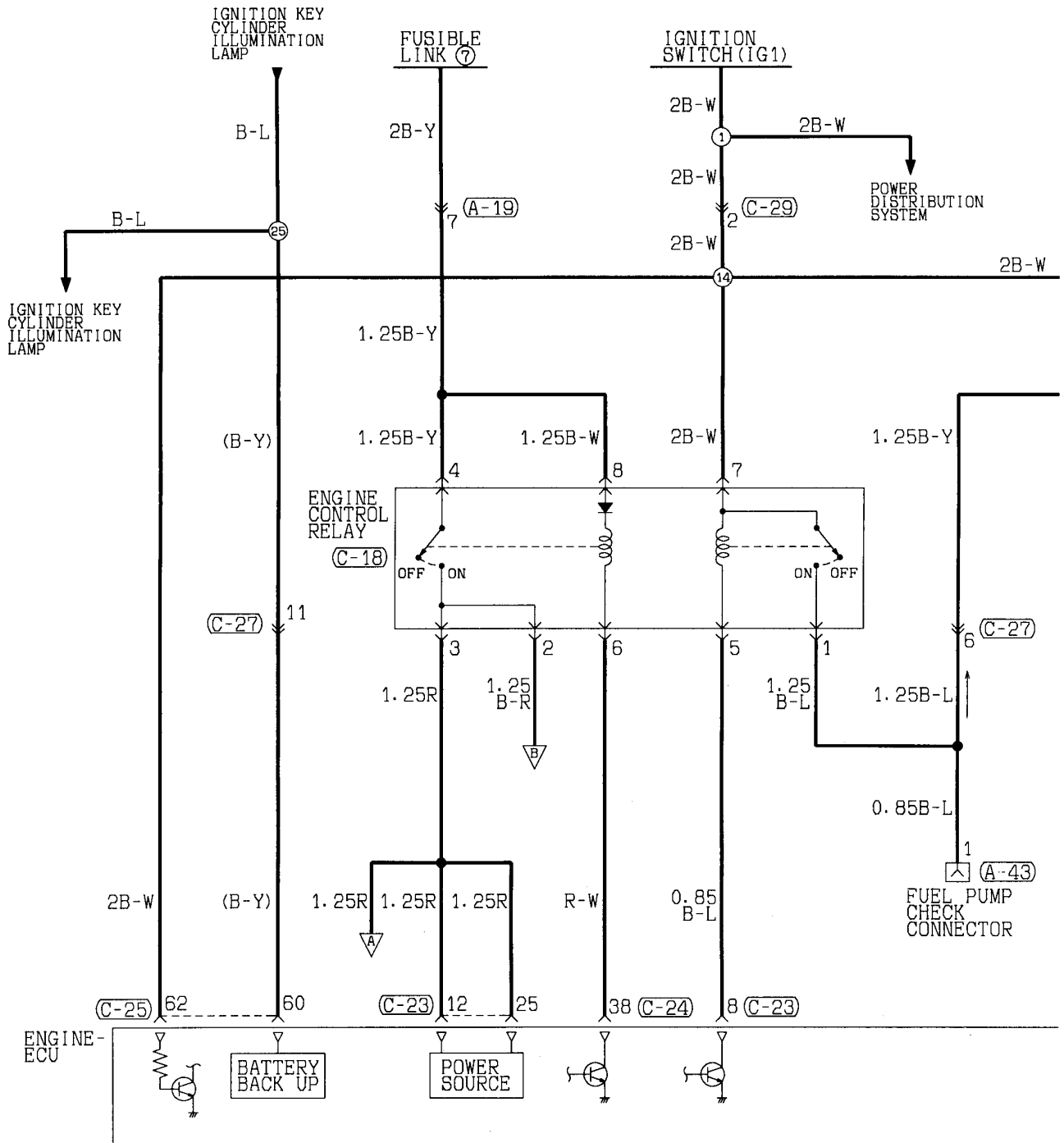




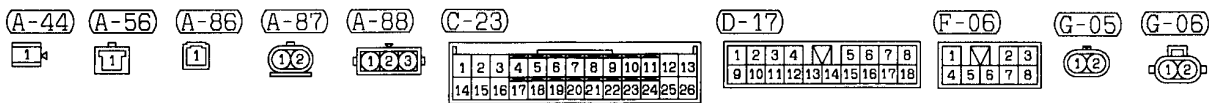
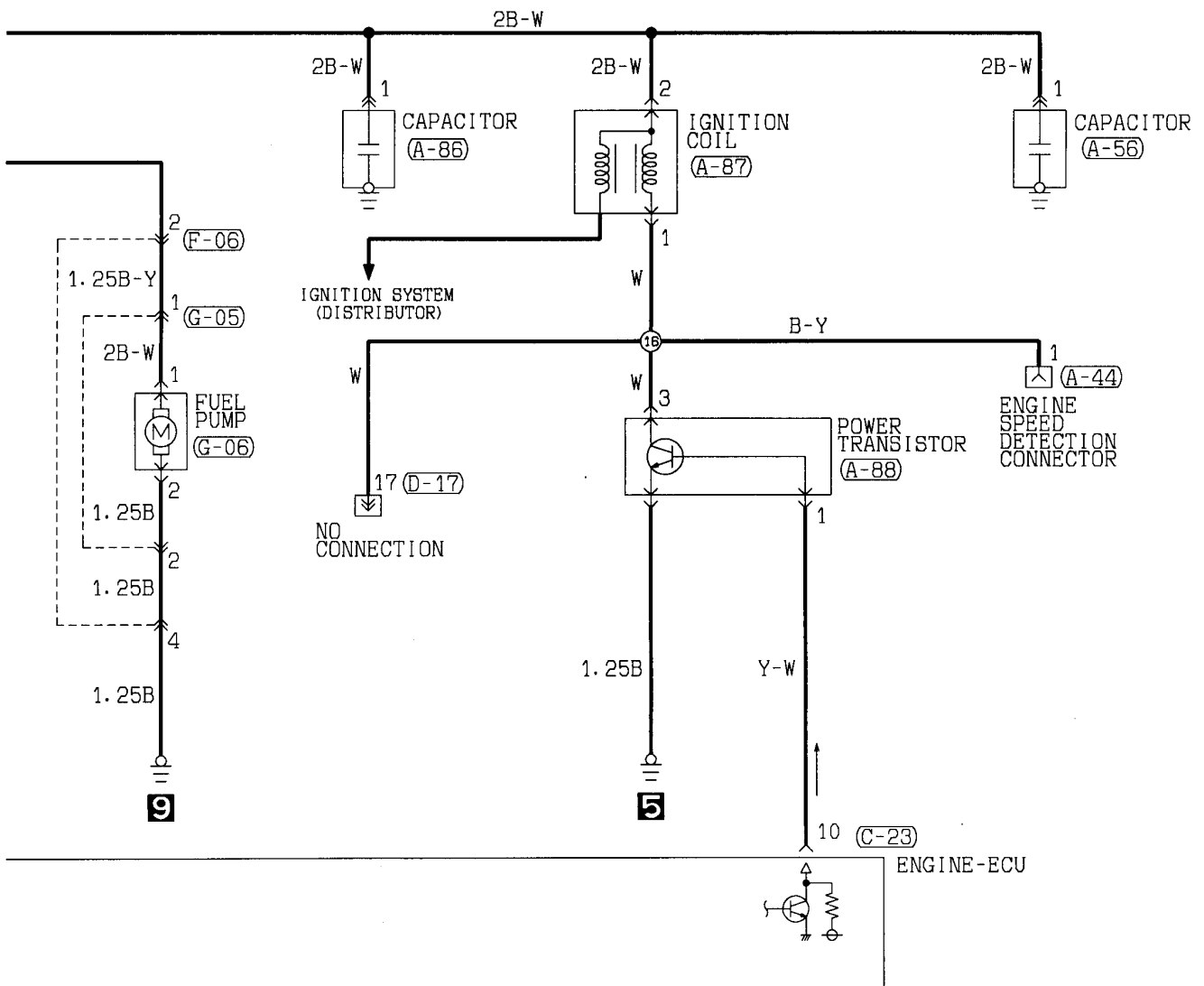
MPI SYSTEM

120002349

R.H. drive vehicles

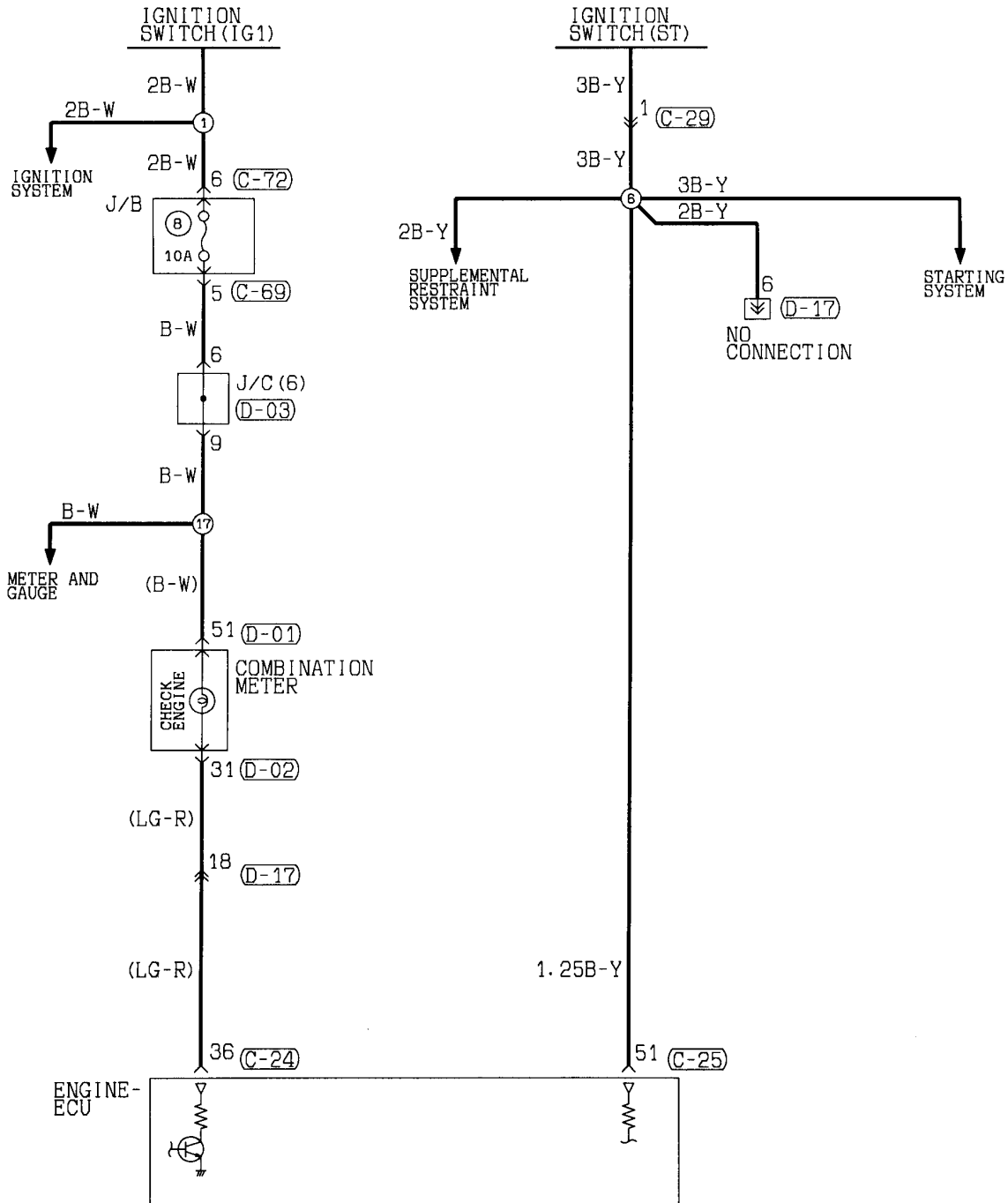




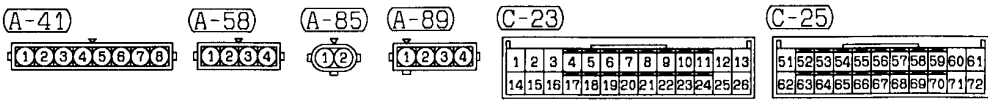
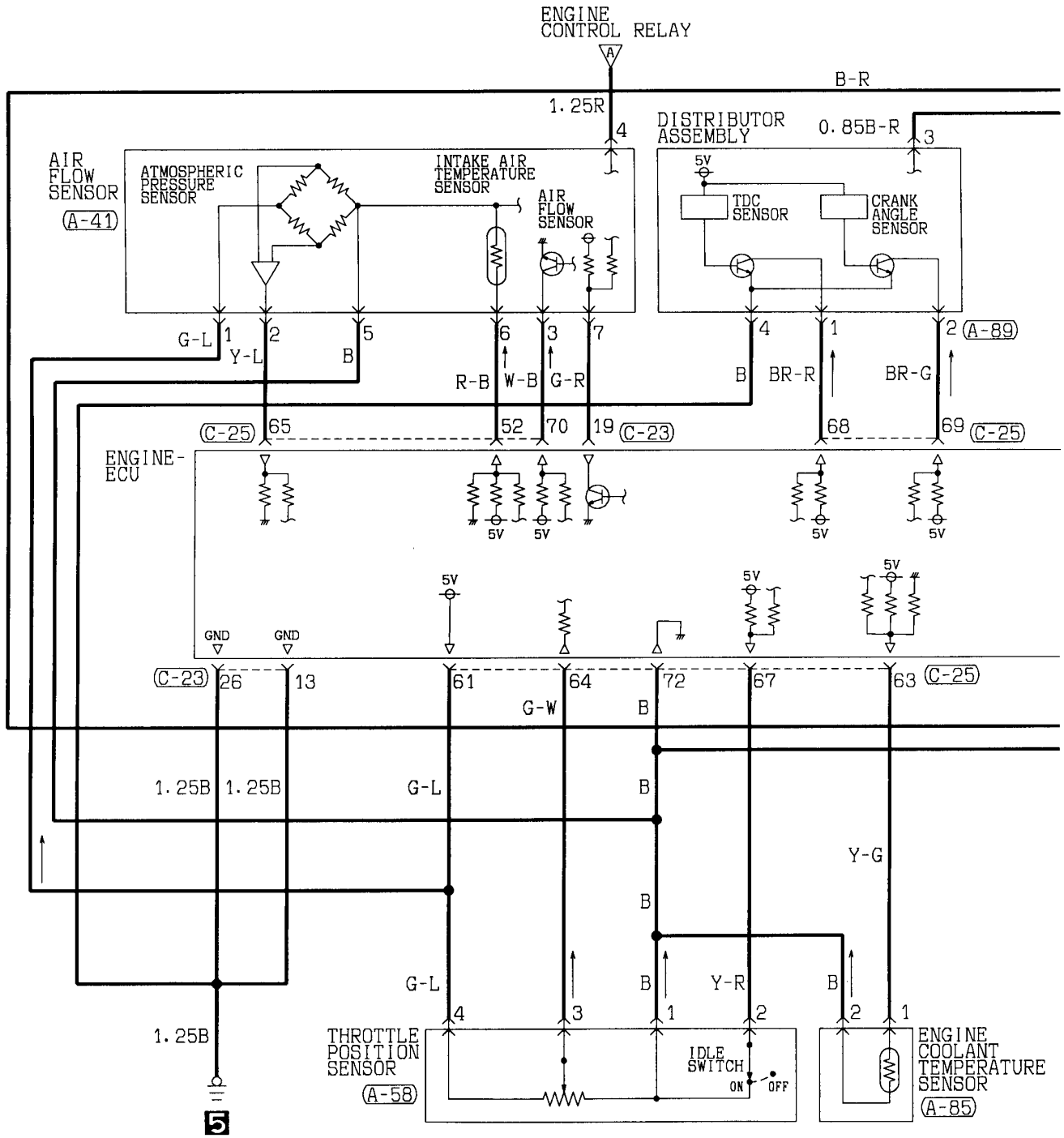


Wire colour code  
 B:Black LG:Light green G:Green L:Blue W:White Y:Yellow SB:Sky blue  
 BR:Brown O:Orange GR:Gray R:Red P:Pink V:Violet

MPI SYSTEM <R.H. drive vehicles> (CONTINUED)

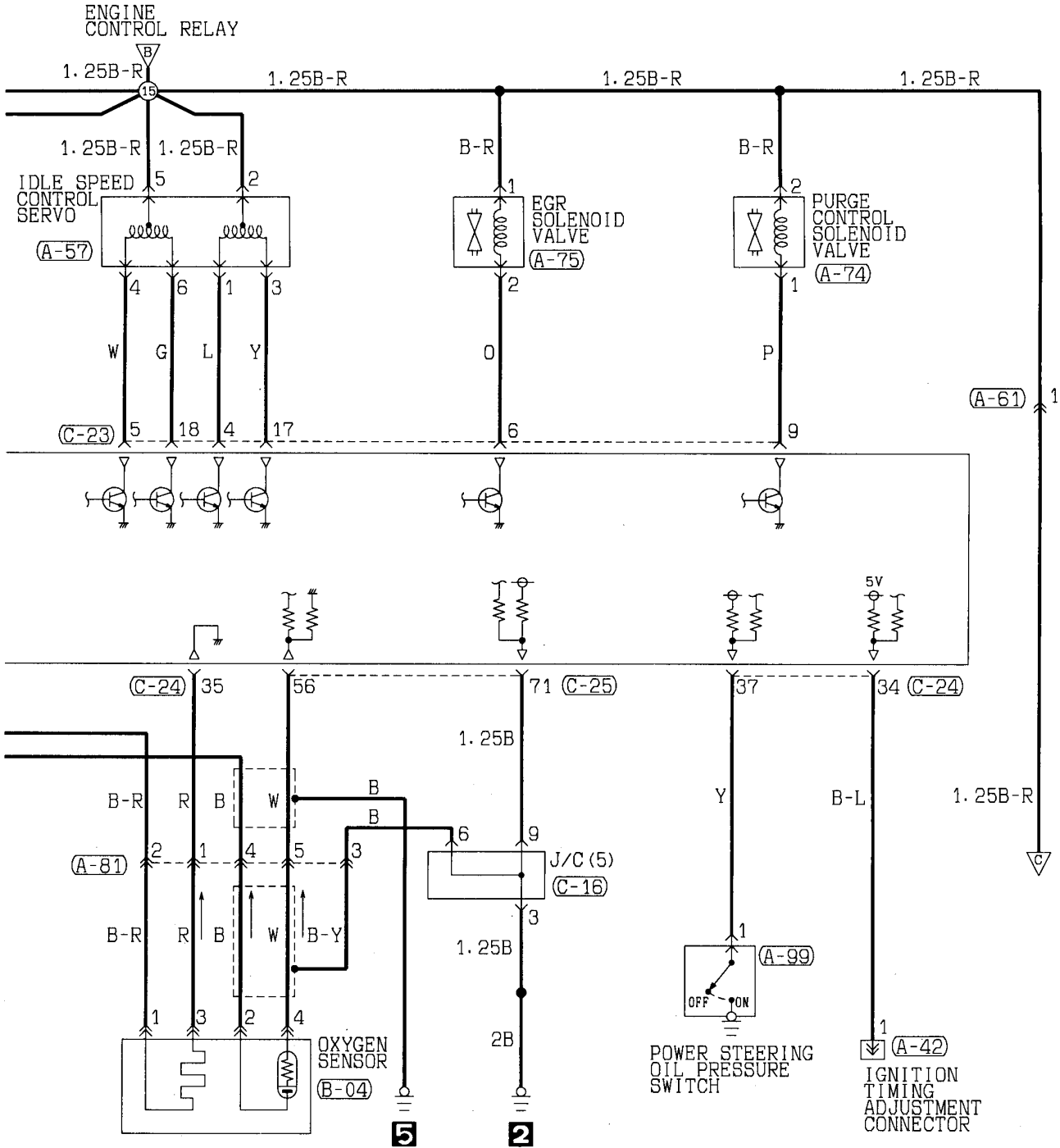


<b>(C-24)</b> 31 32 33 34 35 36 37 38 39 40 41 42 43 44 45 46	<b>(C-25)</b> 51 52 53 54 55 56 57 58 59 60 61 62 63 64 65 66 67 68 69 70 71 72	<b>(C-29)</b> 1 2	<b>(C-69)</b> 1 2 3 4 5 6 7 8 9 10 11 12 13 14 15 16 17 18 19 20 21 22	<b>(C-72)</b> 1 2 3 4 5 6 7 8 9 10
<b>(D-01)</b> 51 52 53 54 55 56 57 58 59 60 61 62	<b>(D-02)</b> 31 32 33 34 35 36 37 38 39 40 41 42 43 44	<b>(D-03)</b> 1 2 3 4 5 6 7 8 9 10 11 12 13 14 15 16 17 18 19 20 21 22 23 24 25 26 27 28 29 30 31 32 33	<b>(D-17)</b> 1 2 3 4 5 6 7 8 9 10 11 12 13 14 15 16 17 18	

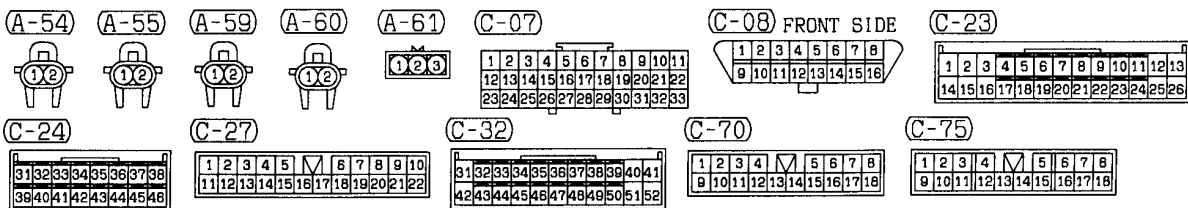
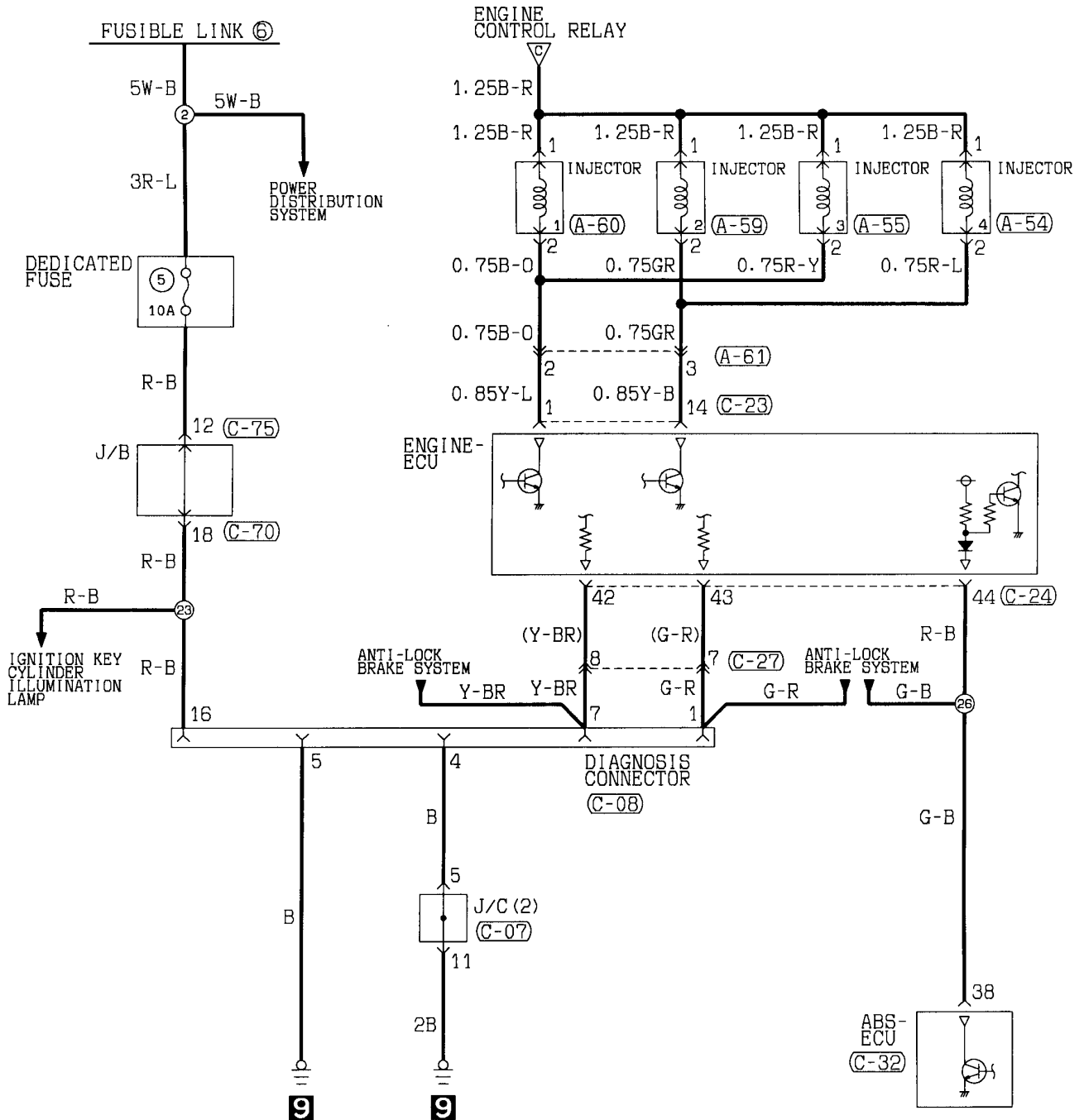


Wire colour code  
 B:Black LG:Light green G:Green L:Blue W:White Y:Yellow SB:Sky blue  
 BR:Brown O:Orange GR:Gray R:Red P:Pink V:Violet

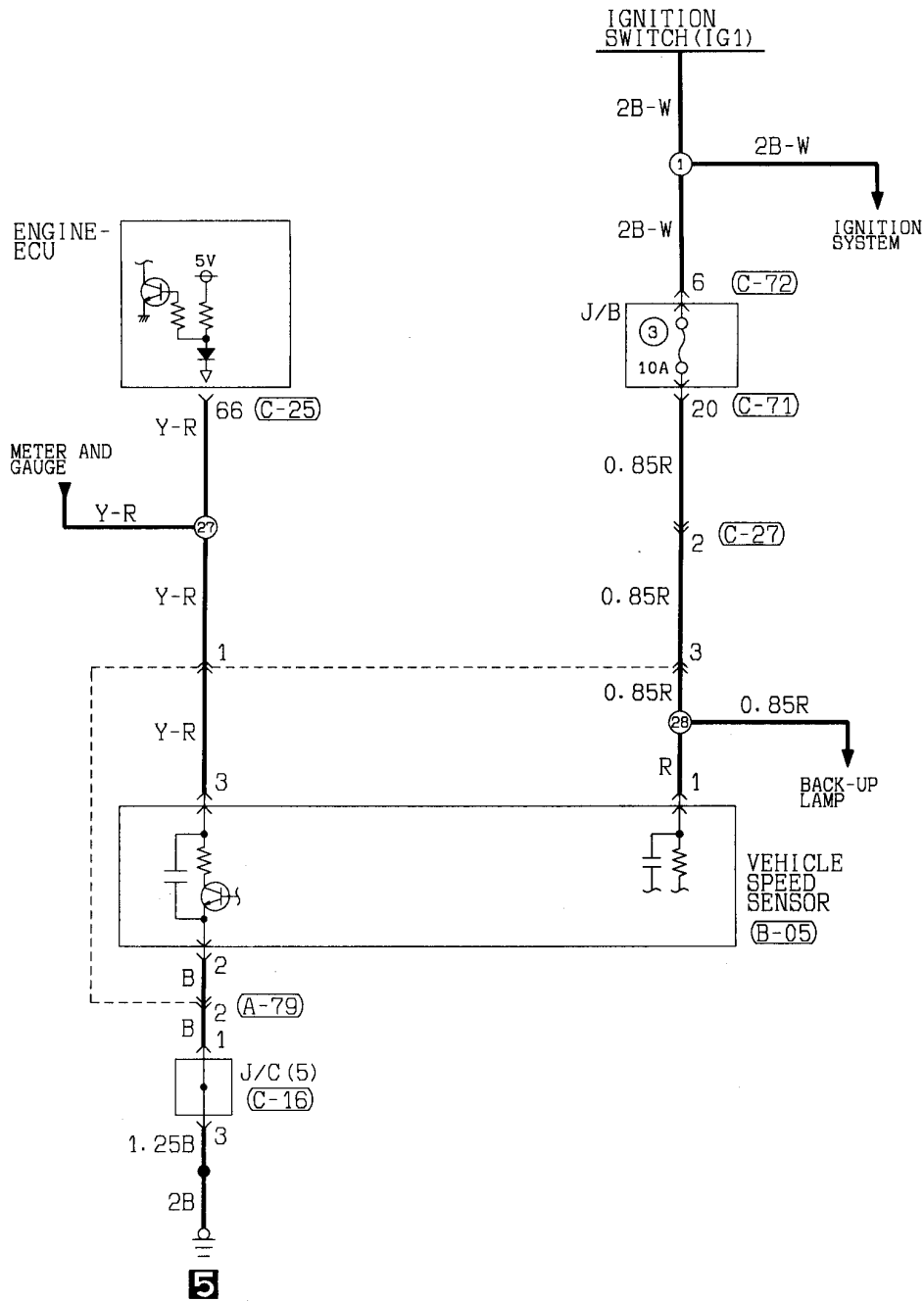
MPI SYSTEM <R.H. drive vehicles> (CONTINUED)



(A-42)	(A-57)	(A-61)	(A-74)	(A-75)	(A-81)	(A-99)	(B-04)	(C-16)	(C-23)
①	①②③ ④⑤⑥	①②③	① ②	①②	①②③ ④⑤⑥	①	①② ③④	① 2 3 4 5 6 7 8 9 10 11 12 13 14 15 16 17 18 19 20 21 22 23 24 25 26 27 28 29 30 31 32 33	① 2 3 4 5 6 7 8 9 10 11 12 13 14 15 16 17 18 19 20 21 22 23 24 25 26
(C-24)	(C-25)								
③ 1 32 33 34 35 36 37 38 39 40 41 42 43 44 45 46	5 1 52 53 54 55 56 57 58 59 60 61 62 63 64 65 66 67 68 69 70 71 72								



MPI SYSTEM <R.H. drive vehicles> (CONTINUED)



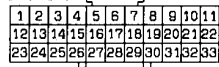
A-79



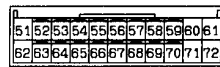
B-05



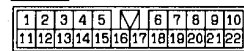
C-16



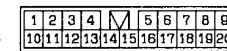
C-25



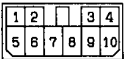
C-27



C-71



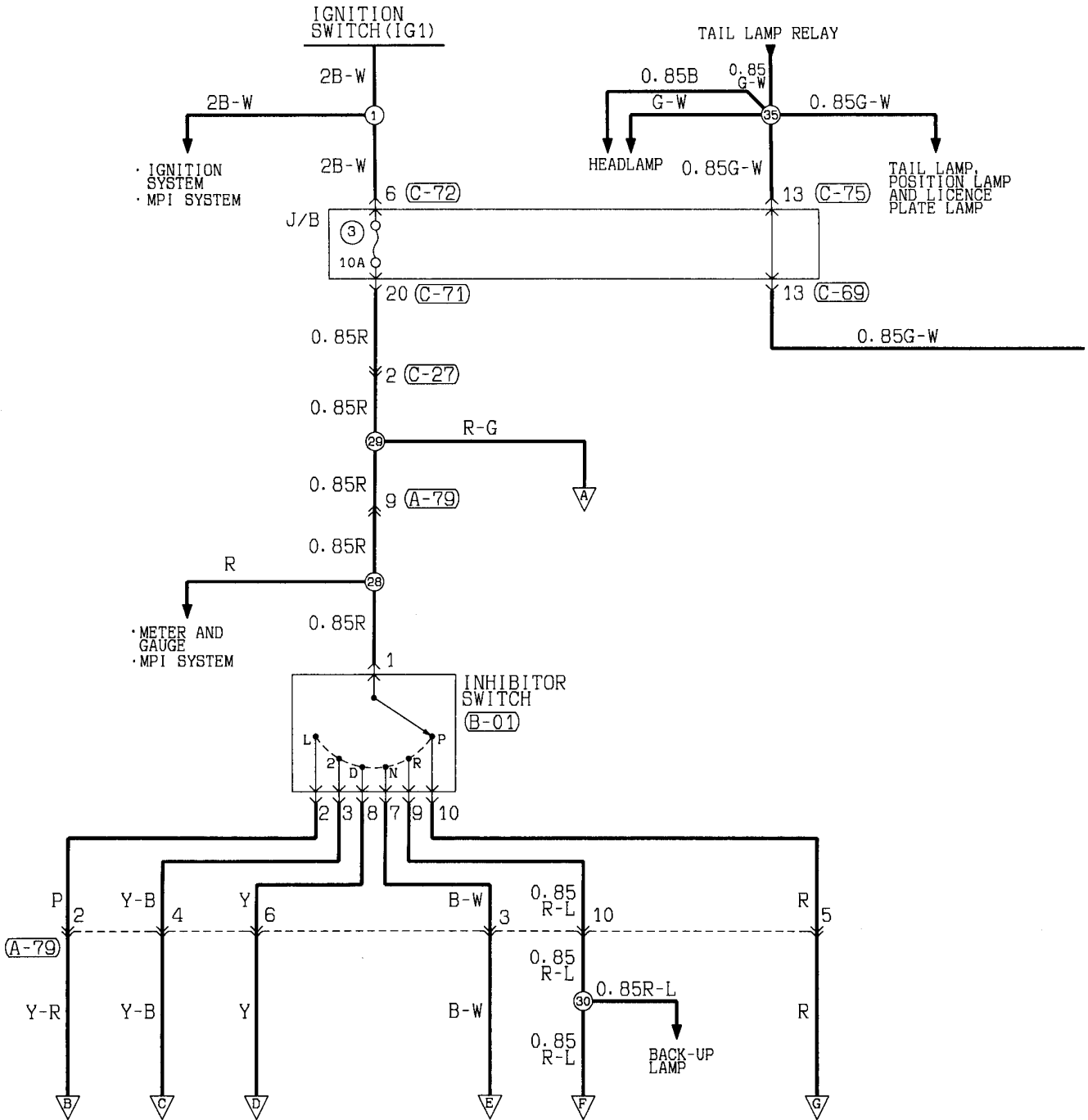
C-72



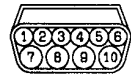
NOTES

OVERDRIVE CONTROL SYSTEM

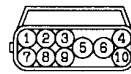
120002350



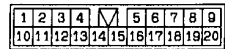
A-79



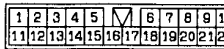
B-01



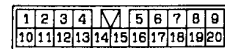
C-27



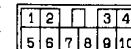
C-69



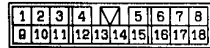
C-71



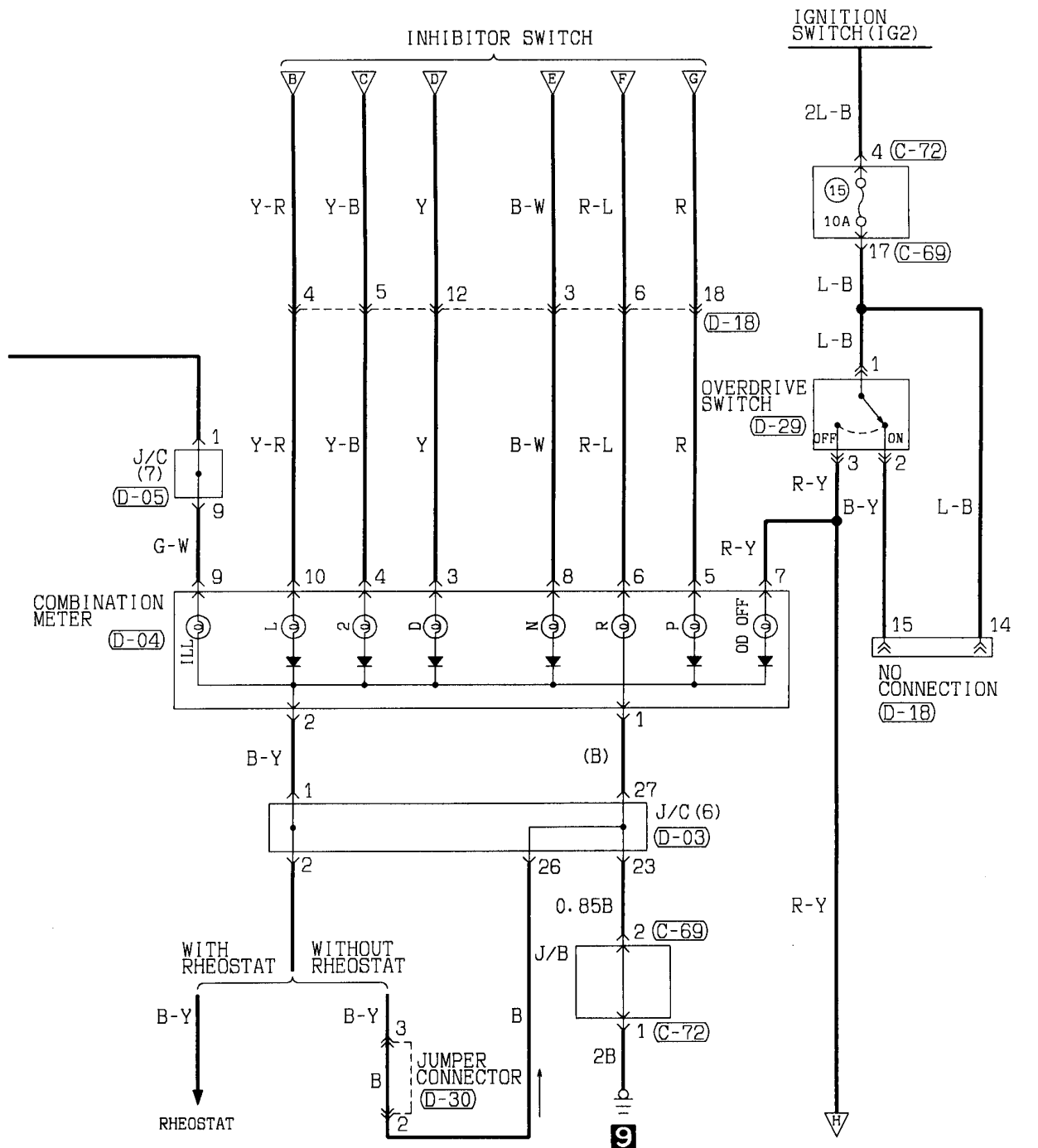
C-72



C-75







(C-69)

1	2	3	4	5	6	7	8	9	10
11	12	13	14	15	16	17	18	19	20
21	22								

(C-72)

1	2	3	4
5	6	7	8
9	10		

(D-03)

1	2	3	4	5	6	7	8	9	10	11
12	13	14	15	16	17	18	19	20	21	22
23	24	25	26	27	28	29	30	31	32	33

(D-04)

1	2	3	4
5	6	7	8
9	10		

(D-05)

1	2	3	4	5	6	7	8	9	10	11
12	13	14	15	16	17	18	19	20	21	22

(D-18)

1	2	3	4	5	6	7	8	9
10	11	12	13	14	15	16	17	18
19	20							

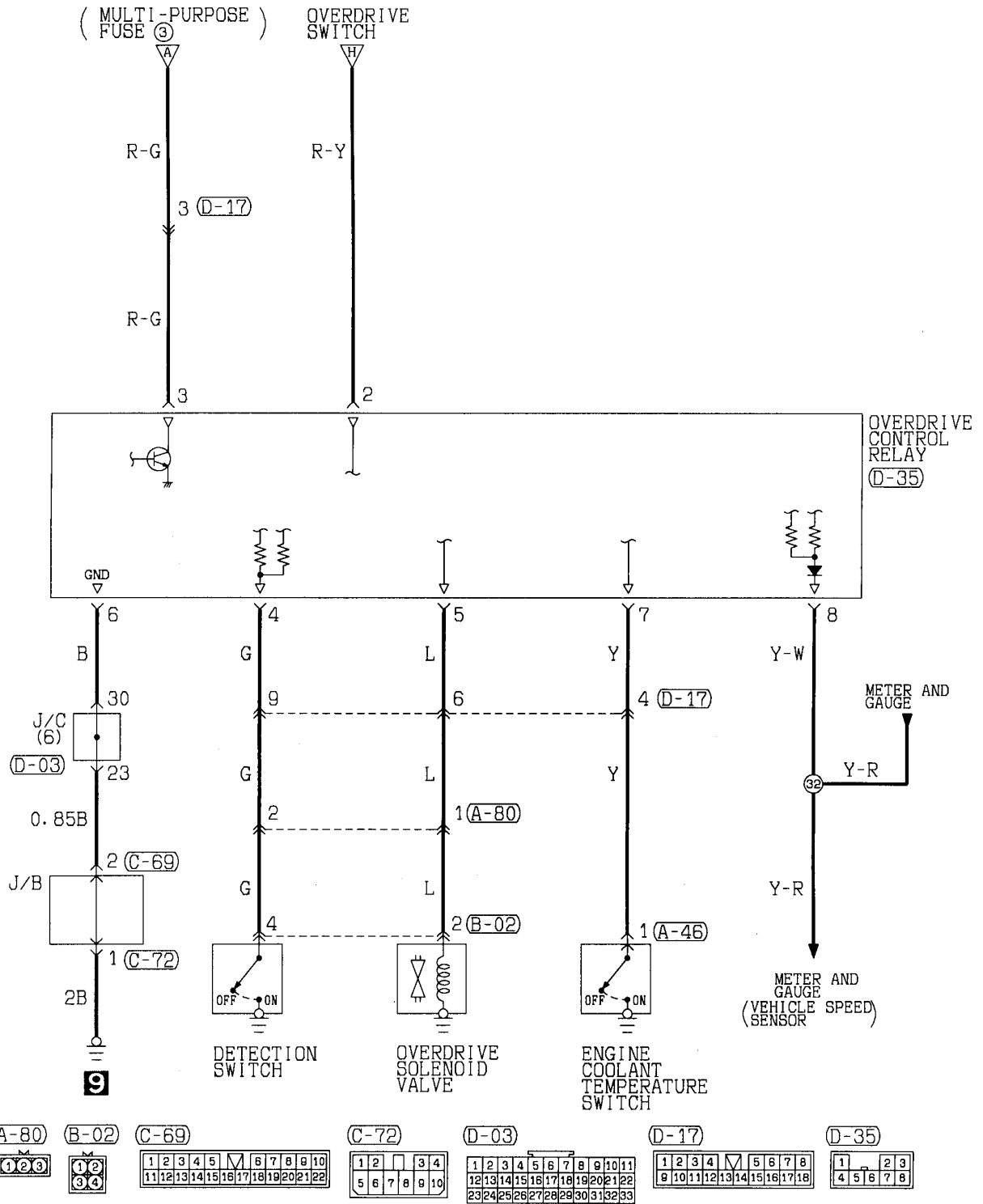
(D-29)

1	2	3
---	---	---

(D-30)

1	2	3	4
---	---	---	---

OVERDRIVE CONTROL SYSTEM (CONTINUED)



Wire colour code  
 B:Black LG:Light green G:Green L:Blue W:White Y:Yellow SB:Sky blue  
 BR:Brown O:Orange GR:Gray R:Red P:Pink V:Violet

**OVERDRIVE CONTROL SYSTEM (See P. 4-62.)**

120002351

**OPERATION****<Overdrive solenoid valve>**

- When the overdrive switch is switched OFF (with the ignition switch at the ON position), battery voltage is applied, through fuse No. (15) and the overdrive relay, to engine coolant temperature switch
- When the engine coolant temperature becomes 50°C or higher, the engine coolant temperature switch is switched ON.
- When the engine coolant temperature switch is switched ON, current flows to the ignition switch, fuse NO. (15), the overdrive switch, the overdrive relay, the engine coolant temperature switch, and earth, and the relay is switched ON.
- When the overdrive relay is switched OFF, current flows to the ignition switch, fuse No. (15), the overdrive switch, the overdrive relay, the overdrive solenoid, and earth, and the solenoid valve is activated.

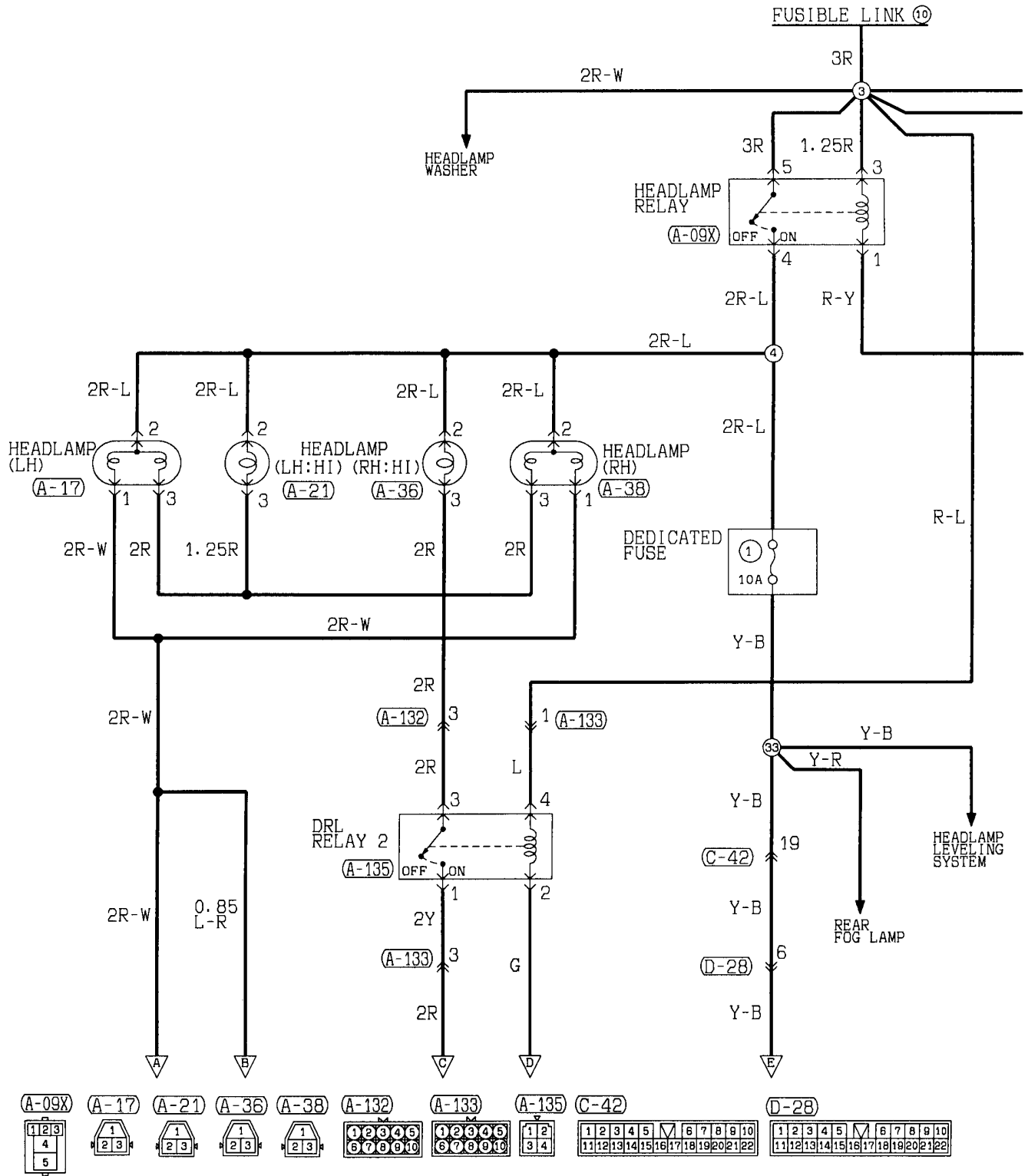
**<Overdrive off indicator lamp>**

- When the overdrive switch is switched OFF (with the ignition switch at the ON position), current flows to the ignition switch, fuse No. (15), the overdrive switch, the overdrive off indicator, and earth, and the indicator illuminates.

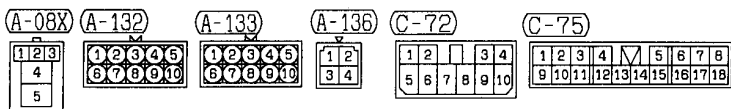
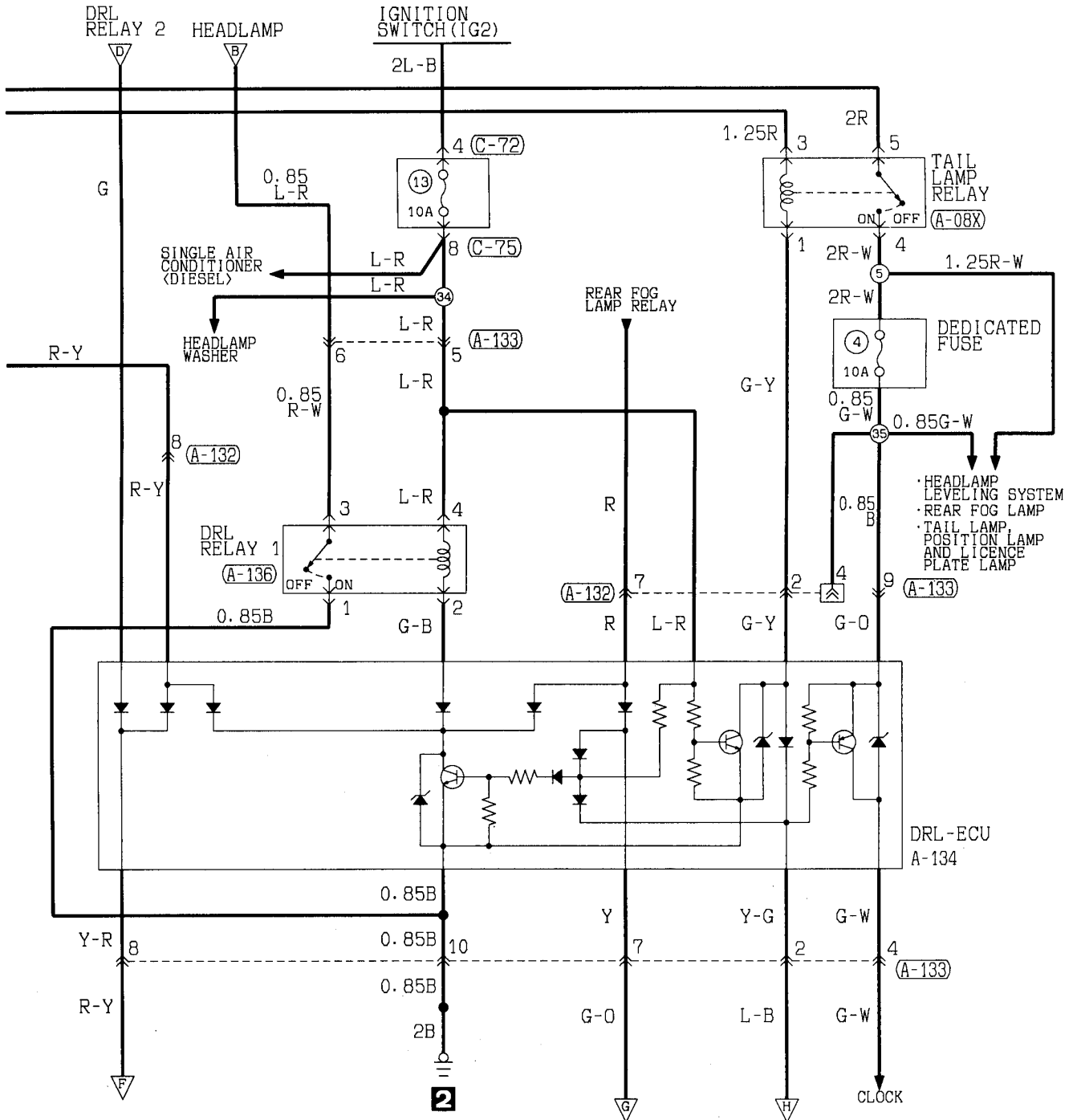
HEADLAMP

120002352

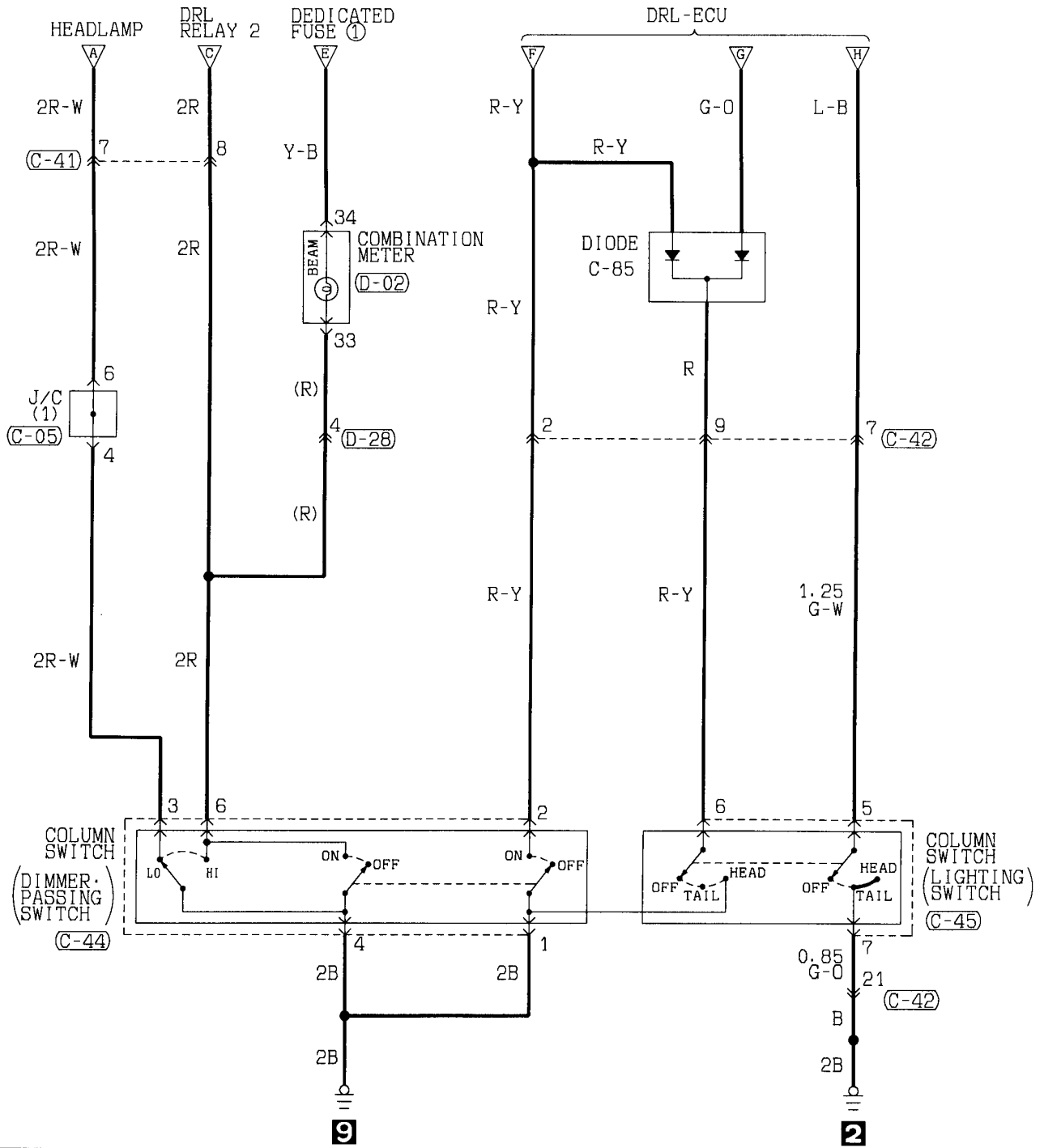
L.H. drive vehicles with daytime running lamp



Wire colour code  
 B:Black LG:Light green G:Green L:Blue W:White Y:Yellow SB:Sky blue  
 BR:Brown O:Orange GR:Gray R:Red P:Pink V:Violet



HEADLAMP <L.H. drive vehicles with daytime running lamp> (CONTINUED)



(C-05)

1	2	3	4	5	6	7	8	9	10	11
12	13	14	15	16	17	18	19	20	21	22
23	24	25	26	27	28	29	30	31	32	33

(C-41)

1	2	3
4	5	6
7	8	

(C-42)

1	2	3	4	5	6	7	8	9	10
11	12	13	14	15	16	17	18	19	20
21	22								

(C-44)

1	2
3	4
5	6

(C-45)

1	2	3	4
5	6	7	8
9	10		

(D-02)

31	32	33	34	35	36	37	38	39	40	41	42	43	44

(D-28)

1	2	3	4	5	6	7	8	9	10
11	12	13	14	15	16	17	18	19	20
21	22								

**HEADLAMP <L.H. drive vehicles with daytime running lamp> (See P. 4-66.)** 120002353**OPERATION**

Headlamp relay activation requirements

Ignition switch	Lighting switch	Dimmer/passing switch	Headlamp relay
"ON"	"OFF"	-	On
-	"HEAD"	-	On
-	-	"PASS"	On

**<Daytime running lamp operation>**

- Turning the ignition switch to the ON position causes the headlamp relay, DRL relay 1, and tail lamp relay to be energized, which causes the headlamps, tail lamps, etc. to go on.

**<Low-beam operation>**

- Placing the lighting switch in the HEAD position causes the headlamp relay and DRL relay 2 to be energized.
- If the dimmer/passing switch is placed in the LO position at this time, the headlamps light up in low beam.

**<Upper-beam operation>**

- Placing the lighting switch in the HEAD position causes the headlamp relay and DRL relay 2 to be energized.
- If the dimmer/passing switch is placed in the HI position at this time, the headlamps light up in upper beam.

**<Upper-beam indicator lamp>**

- This lamp lights up when the upper/passing beams are on, indicating that the headlamps are on in upper beam.

**<Passing operation>**

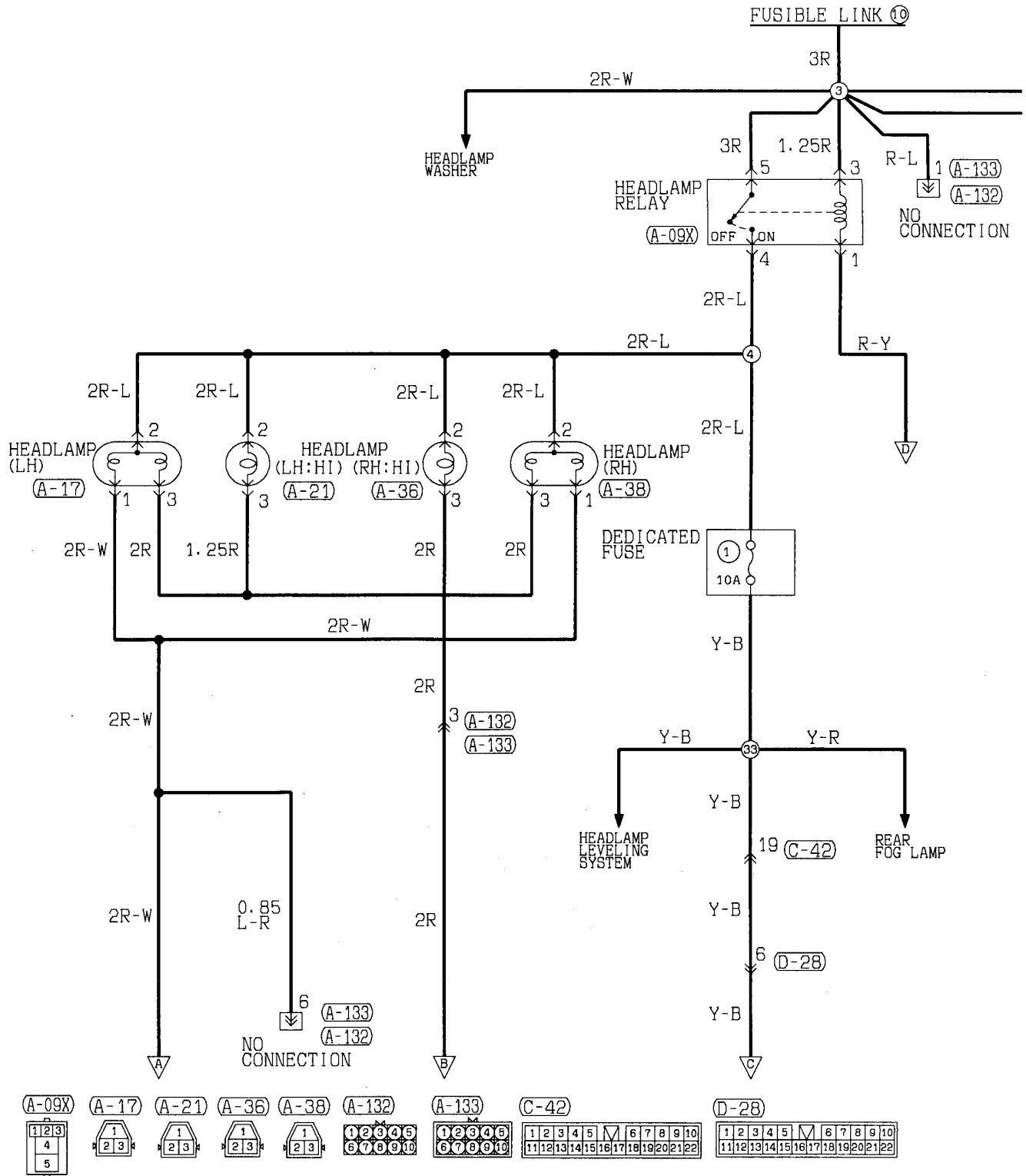
- When the dimmer/passing switch is set to the "ON" position, the headlamp relay is switched ON and the upper beam of the headlamps illuminates.

**TROUBLESHOOTING HINTS**

- Headlamps don't go on.
  - But the tail lamps do illuminate.
    - Check the headlamp relay.
    - Check the lighting switch.
  - The tail lamps also don't illuminate.
    - Check the fusible link No. (10).
- The low beam at both sides doesn't illuminate.
  - Check the dimmer switch LO contacts.
- The upper beam at both sides doesn't illuminate.
  - The passing signal functions OK.
    - Check the dimmer switch HI contacts.
  - The passing signal does not function.
    - Check the dimmer switch.
    - Check the DRL relay 2.
    - Check the DRL-ECU.
- One headlamp doesn't illuminate.
  - Check the lamp bulb.
- Can't switch from low to upper beam or vice-versa.
  - Check the dimmer switch.
- With the ignition switch at the "ON" position, the headlamps' low beam does not illuminate.
  - Check the DRL relay 1.
  - Check the DRL-ECU.
- Upper-beam indicator lamp does not go on.
  - Headlamp upper beams are operational.
    - Check dedicated fuse No. (1).
    - Check the indicator lamp bulb.

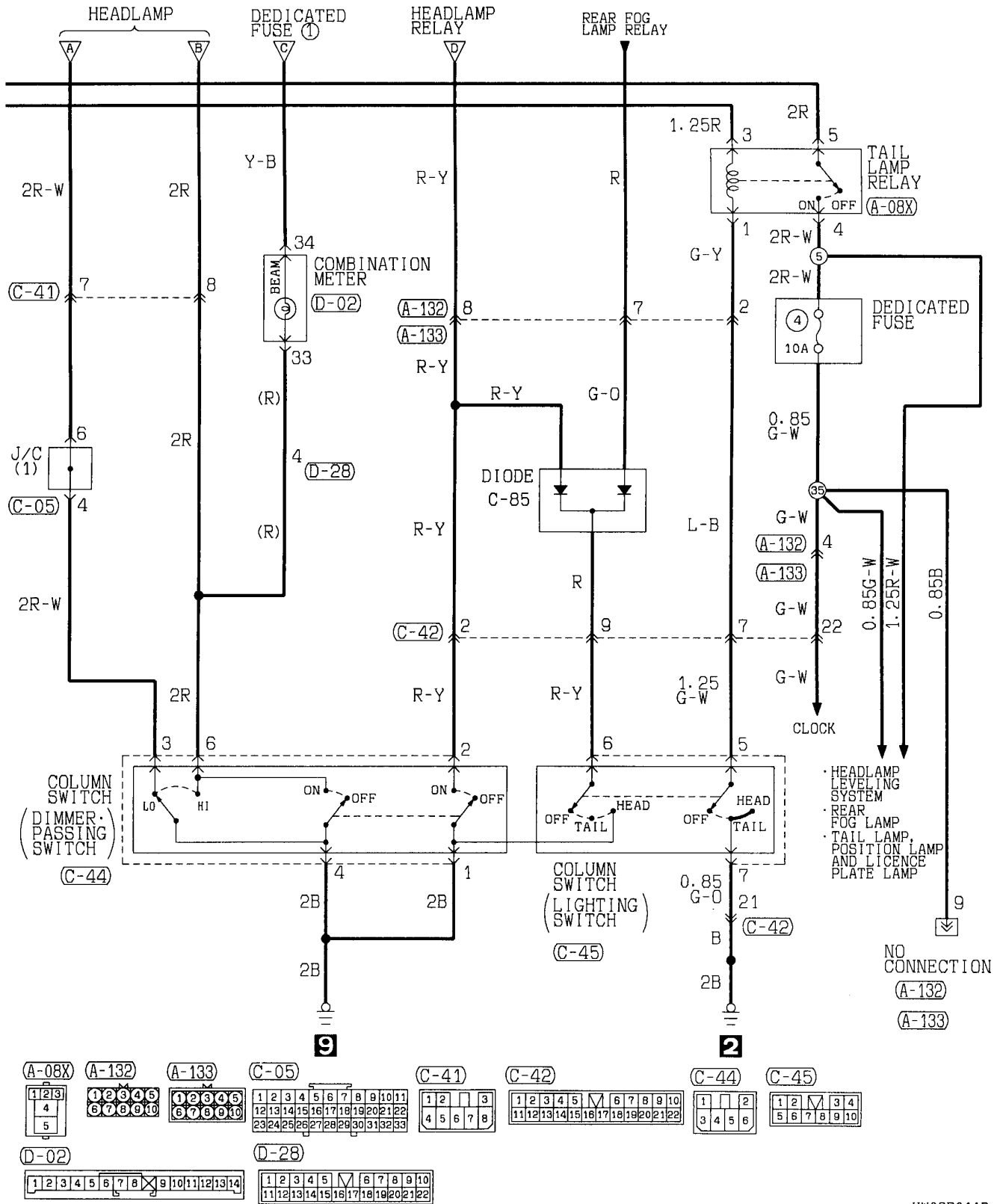
HEADLAMP

L.H. drive vehicles without daytime running lamp



Wire colour code  
 B:Black LG:Light green G:Green L:Blue W:White Y:Yellow SB:Sky blue  
 BR:Brown O:Orange GR:Gray R:Red P:Pink V:Violet





**HEADLAMP <L.H. drive Vehicles without daytime running lamp> (See P. 4-70.)**

120002355

**OPERATION**

Headlamp relay activation requirements

Lighting switch	Dimmer/passing switch	Headlamp relay
"HEAD"	-	On
-	"ON"	On

**<Low-beam operation>**

- Placing the lighting switch in the HEAD position causes the headlamp relay to be energized.
- If the dimmer/passing switch is placed in the LO position at this time, the headlamps light up in low beam.

**<Upper-beam operation>**

- Placing the lighting switch in the HEAD position causes the headlamp relay to be energized.
- If the dimmer/passing switch is placed in the HI position at this time, the headlamps light up in upper beam.

**<Upper-beam indicator lamp>**

- This lamp lights up when the upper/passing beams are on, indicating that the headlamps are on in upper beam.

**<Passing operation>**

- When the dimmer/passing switch is set to the "ON" position, the headlamp relay is switched ON and the upper beam of the headlamps illuminates.

**TROUBLESHOOTING HINTS**

- Headlamps don't go on.
  - But the tail lamps illuminate.
    - Check the headlamp relay.
    - Check the lighting switch.
  - The tail lamps also don't illuminate.
    - Check the fusible link No. (10).
- The low beam at both sides doesn't illuminate.
  - Check the dimmer switch LO contacts.
- The upper beam at both sides doesn't illuminate.
  - The passing signal functions OK.
    - Check the dimmer switch HI contacts.
  - One headlamps doesn't illuminate.
    - Check the lamp bulb.
  - Can't switch from low to upper beam or vice-versa.
    - Check the dimmer switch.
  - Upper-beam indicator lamp does not go on.
    - Headlamp upper beams are operational.
      - Check dedicated fuse No. (1).
      - Check the indicator lamp bulb.

**HEADLAMP <R.H. drive vehicles> (See P. 4-74.)**

120002356

**OPERATION**

Headlamp relay activation requirements

Ignition switch	Lighting switch	Dimmer/passing switch	Headlamp relay
"ON"	"TAIL"	-	On
-	"HEAD"	-	On
-	-	"PASS"	On

**<Dim-dip lamp operation>**

- Placing the lighting switch in the TAIL position causes dim-dip lamp relay 1 to be energized.
- This causes the headlamp relay to be also energized resulting in the headlamps being lit up dimly through the circuit by way of resistor.

**<Low-beam operation>**

- Placing the lighting switch in the HEAD position causes the headlamp relay, dim-dip lamp relay 2 and dim-dip lamp relay 3 to be energized.
- If the dimmer/passing switch is placed in the LO position at this time, the headlamps light up in low beam.

**<Upper-beam operation>**

- Placing the lighting switch in the HEAD position causes the headlamp relay, dim-dip lamp relay 2 and dim-dip lamp relay 3 to be energized.
- If the dimmer/passing switch is placed in the HI position at this time, the headlamps light up in upper beam.

**<Upper-beam indicator lamp>**

- This lamp lights up when the upper/passing beams are on, indicating that the headlamps are on in upper beam.

**<Passing operation>**

- When the dimmer/passing switch is set to the "ON" position, the headlamp relay is switched ON and the upper beam of the headlamps illuminates.

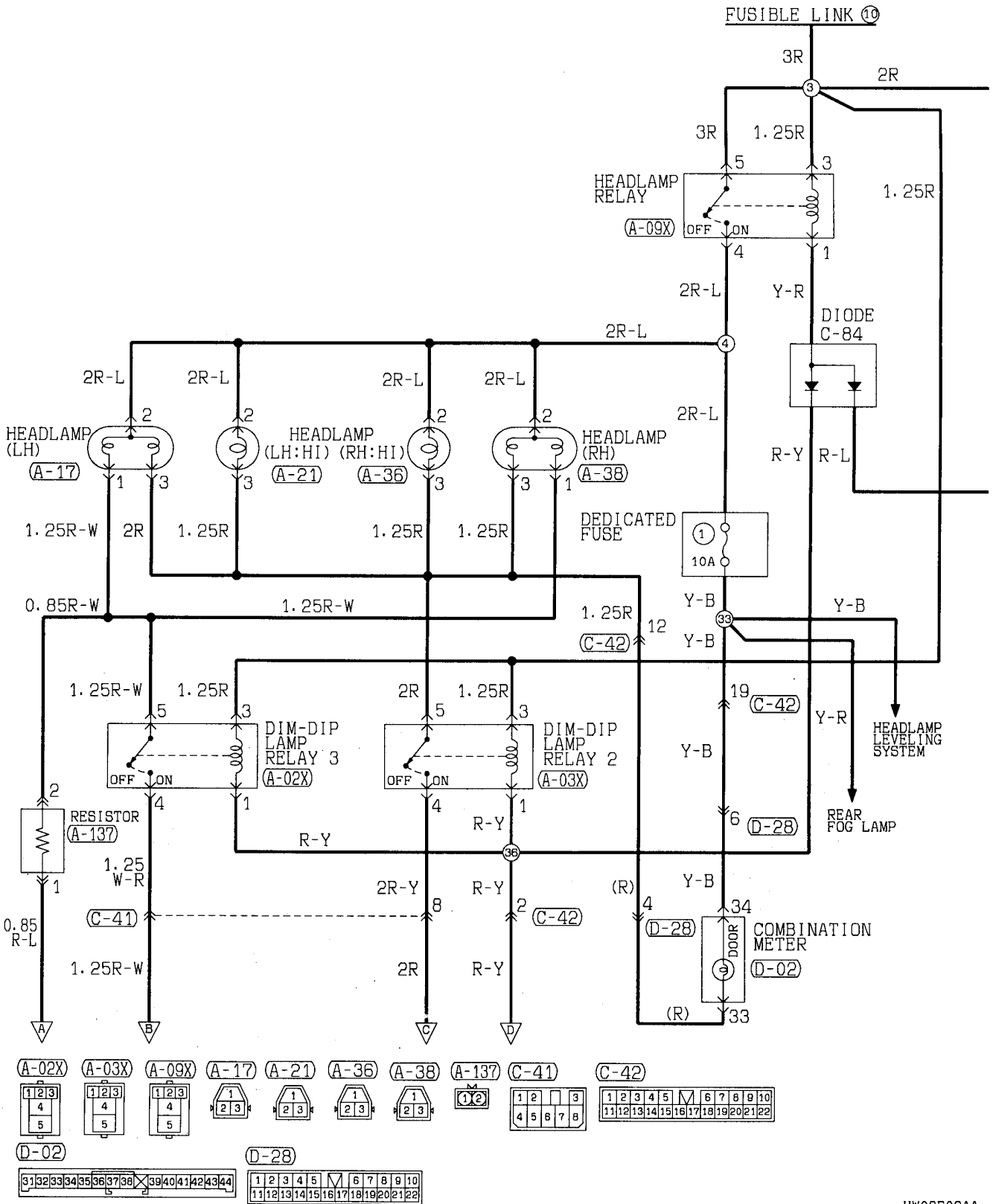
**TROUBLESHOOTING HINTS**

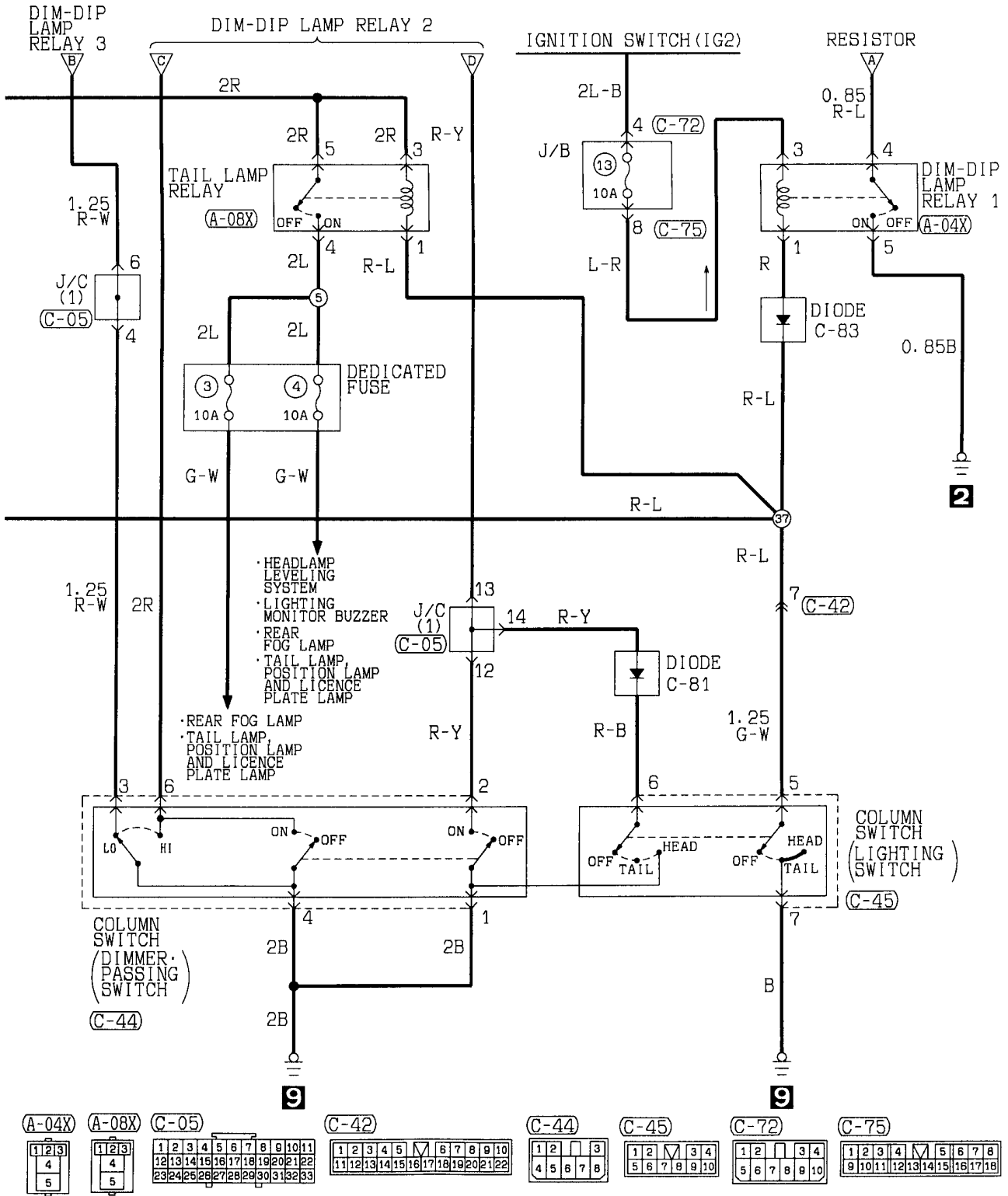
- Headlamps don't go on.
  - But the tail lamps do illuminate.
    - Check the headlamp relay.
    - Check the lighting switch.
    - Check the dim-dip lamp relays 2 and 3.
  - The tail lamps also don't illuminate.
    - Check the fusible link No. (10).
- The low beam at both sides doesn't illuminate.
  - Check the dimmer switch LO contacts.
- The upper beam at both sides doesn't illuminate.
  - The passing signal functions OK.
    - Check the dimmer switch HI contacts.
- One headlamps doesn't illuminate.
  - Check the lamp bulb.
- Can't switch from low to upper beam or vice-versa.
  - Check the dimmer switch.
- The headlamp low beam does not illuminate at the "TAIL" position of the lighting switch.
  - The low beam does illuminate, however, when, with lighting switch at the "HEAD" position, the dimmer switch is set to "LO".
    - Check the dim-dip lamp relay (1).
    - Check the resistor.
    - Check the diode.
- Upper-beam indicator lamp does not go on.
  - Headlamp upper beams are operational.
    - Check dedicated fuse No. (1).
    - Check the indicator lamp bulb.

HEADLAMP

120002357

R.H. drive vehicles



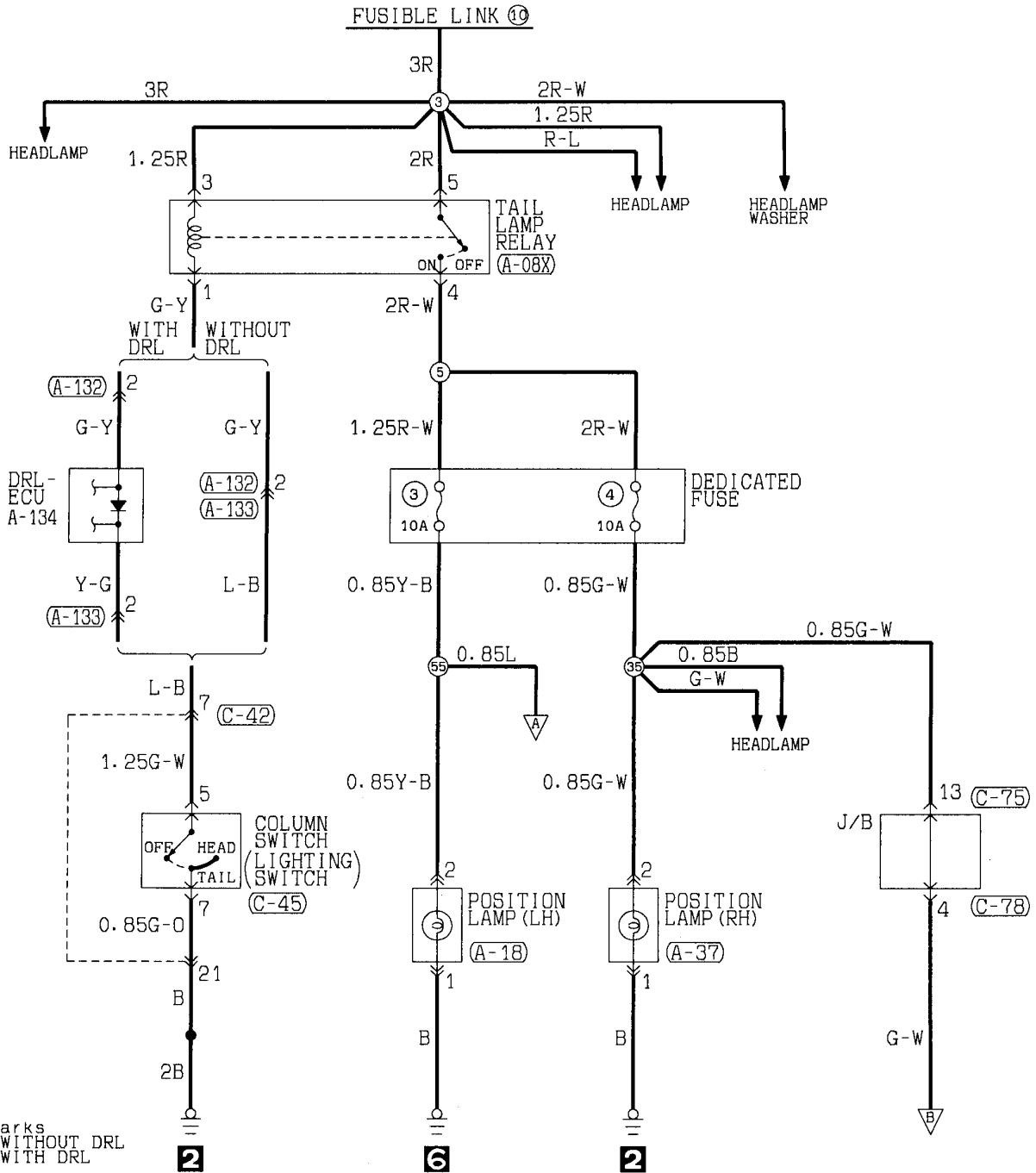


Wire colour code  
 B:Black LG:Light green G:Green L:Blue W:White Y:Yellow SB:Sky blue  
 BR:Brown O:Orange GR:Gray R:Red P:Pink V:Violet

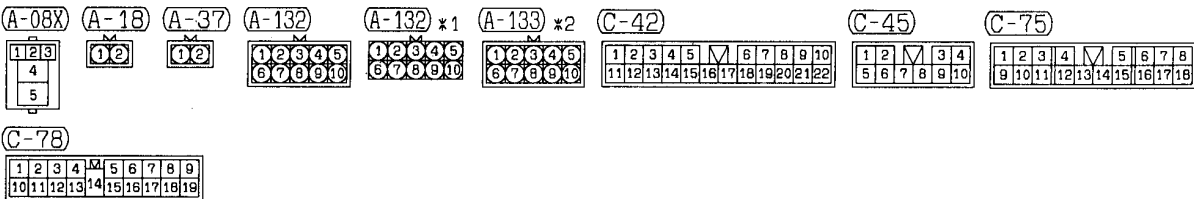
TAIL LAMP, POSITION LAMP AND LICENCE PLATE LAMP

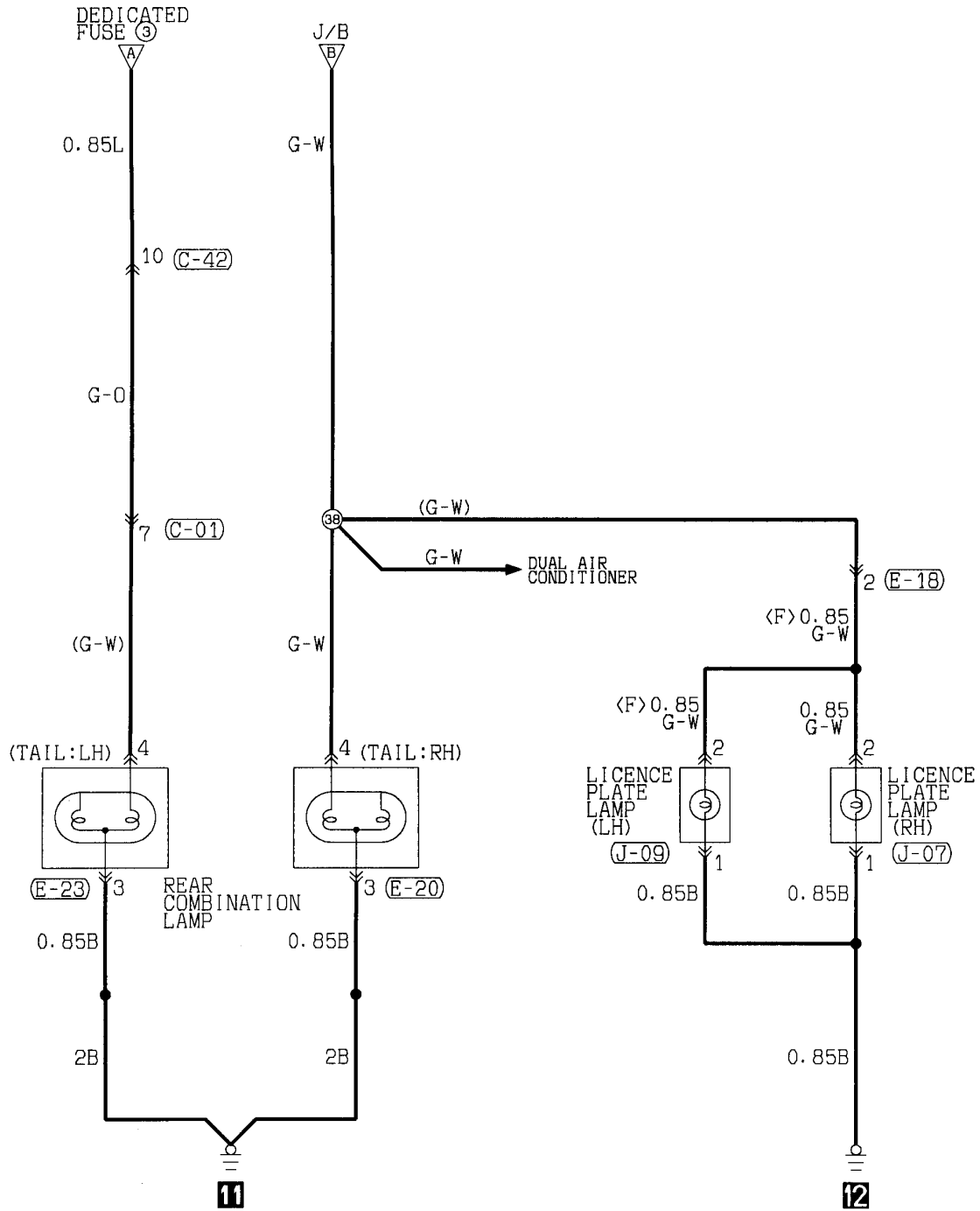
120002358

L.H. drive vehicles



Remarks  
 \*1: WITHOUT DRL  
 \*2: WITH DRL





(C-01)

1	2	3	4	5	6	7	8		
9	10	11	12	13	14	15	16	17	18

(C-42)

1	2	3	4	5	6	7	8	9	10		
11	12	13	14	15	16	17	18	19	20	21	22

(E-18)

1	2	3	4
---	---	---	---

(E-20)

1	2	3	4
---	---	---	---

(E-23)

1	2	3	4
---	---	---	---

(J-07)

1	2
---	---

(J-09)

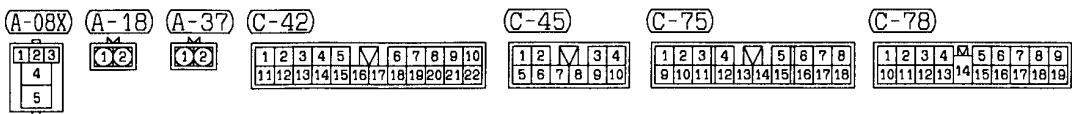
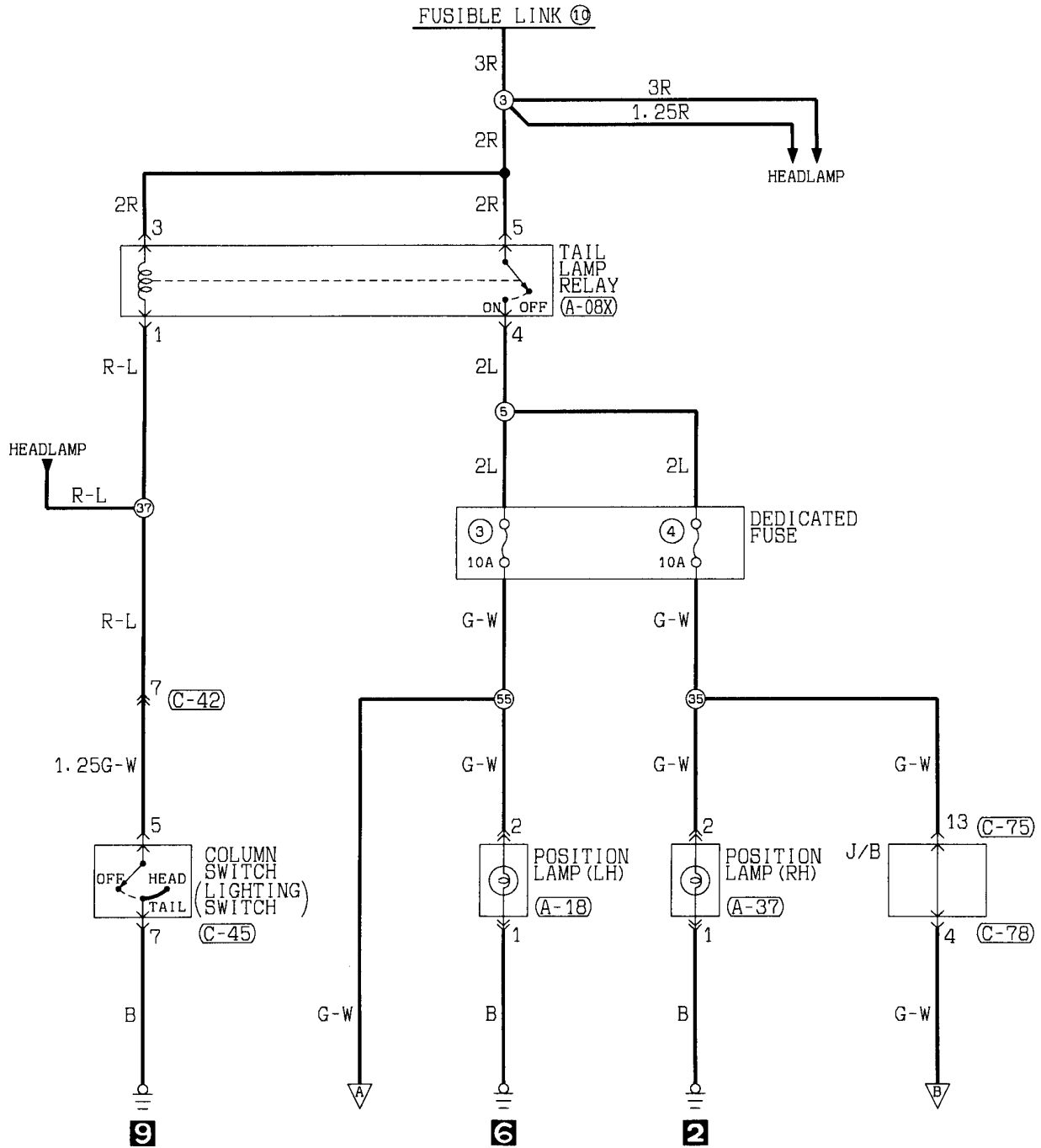
1	2
---	---

Wire colour code

B:Black LG:Light green G:Green L:Blue W:White Y:Yellow SB:Sky blue  
 BR:Brown O:Orange GR:Gray R:Red P:Pink V:Violet

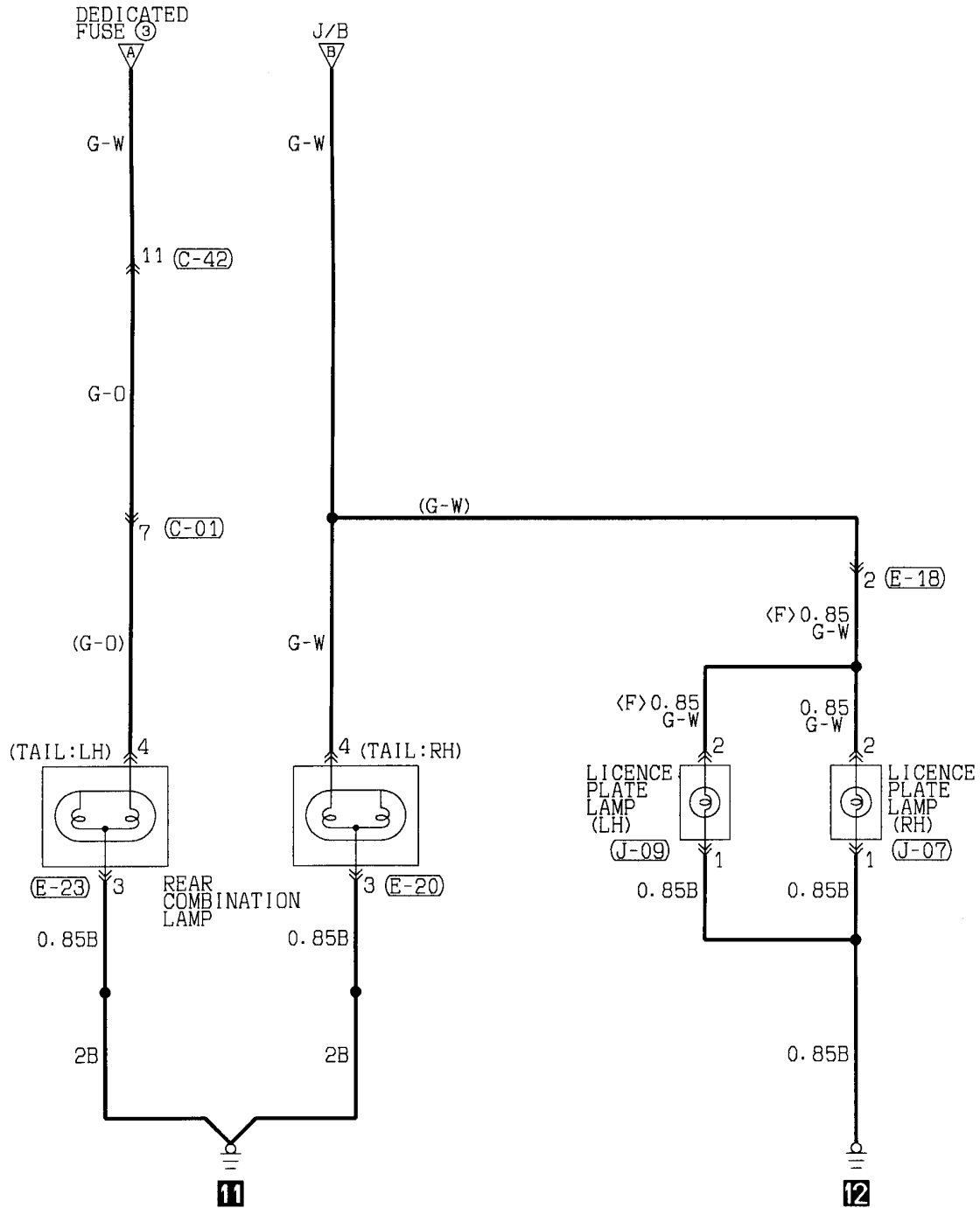
**TAIL LAMP, POSITION LAMP AND LICENCE PLATE LAMP**  
R.H. drive vehicles

120002359



Wire colour code  
 B:Black LG:Light green G:Green L:Blue W:White Y:Yellow SB:Sky blue  
 BR:Brown O:Orange GR:Gray R:Red P:Pink V:Violet





C-01

1	2	3	4	5	6	7	8		
9	10	11	12	13	14	15	16	17	18

C-42

1	2	3	4	5	6	7	8	9	10		
11	12	13	14	15	16	17	18	19	20	21	22

E-18

M			
1	2	3	4

E-20

M			
1	2	3	4

E-23

M			
1	2	3	4

J-07

1	2
---	---

J-09

1	2
---	---

**TAIL LAMP, POSITION LAMP AND LICENCE PLATE (See P. 4-76, 78.)**

120002360

**OPERATION**

- Placing the lighting switch in the "TAIL" or "HEAD" position causes the tail lamp relay to be energized.  
For vehicles with daytime running lamps, if the ignition switch is turned to the "ON" position, the tail lamp relay normally is always "ON".
- As resultt, current flows by way of dedicated fuse No. (3) and No. (4) to each lamp, causing the lamp to go on.

**TROUBLESHOOTING HINTS**

1. No lamp go on.
  - (1) Headlamps do not go on, either.
    - Check fusible link No. (10).
  - (2) Headlamps go on.
    - Check tail lamp relay.
    - Check dedicated fuse No. (3) and No. (4).

**REAR FOG LAMP (See P. 4-82, 86.)**

120002361

**OPERATION**

Rear fog lamp relay activation requirements

**<Vehicles without daytime running lamp>**

ignition switch	Lighting switch	Rear fog lamp relay
-	"HEAD"	On

**<Vehicles with daytime running lamp>**

ignition switch	Lighting switch	Rear fog lamp relay
-	"HEAD"	On
"ON"	"OFF" or "HEAD"	On

- Placing the lighting switch in the HEAD position causes the rear fog lamp relay to be energized. For vehicles with daytime running lamps, if the ignition switch is in the "ON" position and the lighting switch is in the "OFF" position, the rear fog lamp relay will be energized.
- When the rear fog lamp switch is turned ON in this condition, the fog lamp goes on.

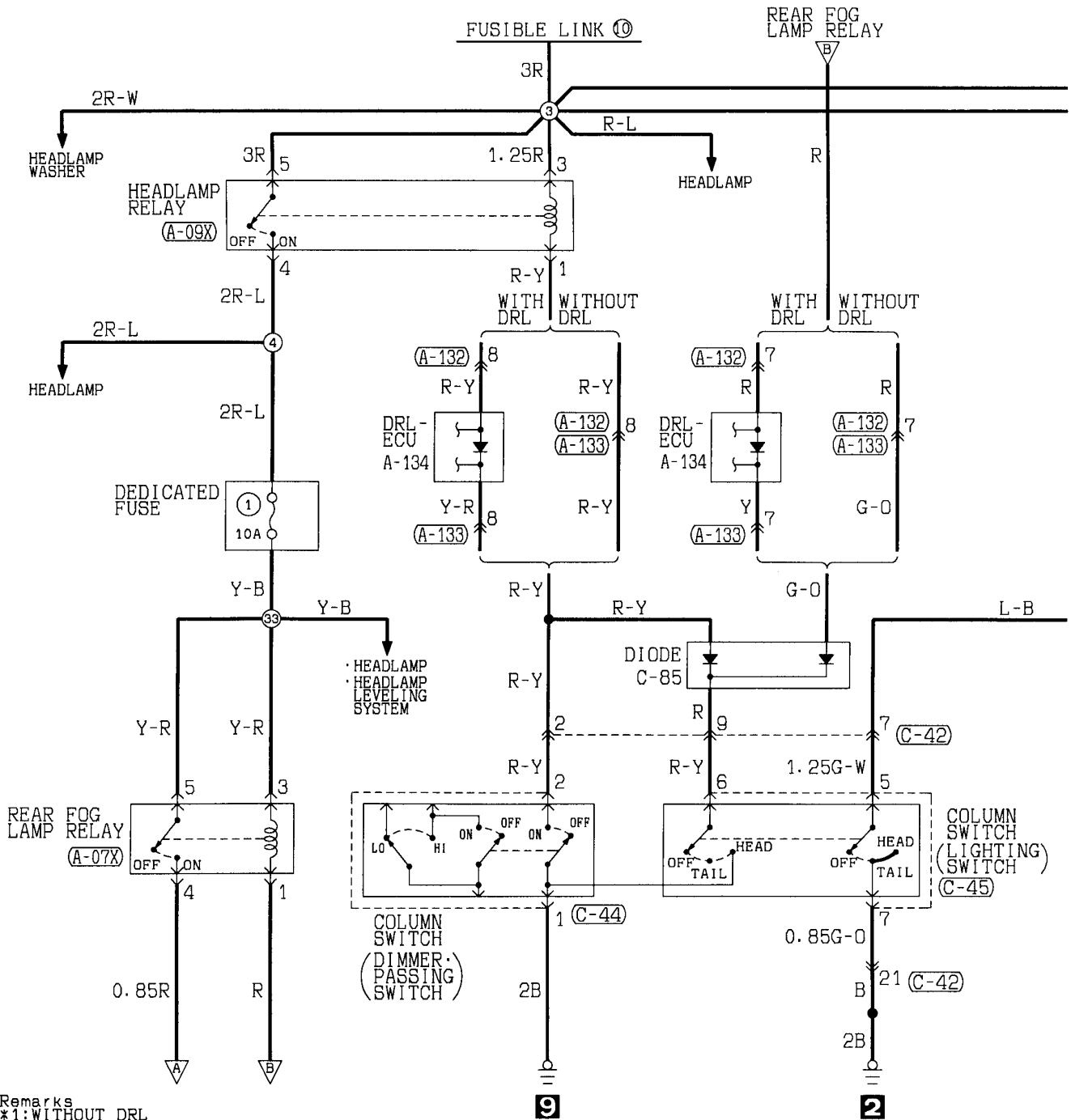
**TROUBLESHOOTING HINTS**

1. The rear fog lamp doesn't illuminate.
  - (1) Headlamp go on.
    - Check the rear fog lamp relay.
    - Check the rear fog lamp switch.
    - Check the dedicated fuse No. (1)
  - (2) Headlamps do not go on, either.
    - Check the lighting switch.
    - Check the fusible link No. (10).
2. The rear fog lamp at the one side doesn't illuminate.
  - Check the lamp bulb.

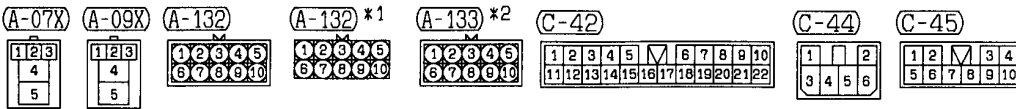
REAR FOG LAMP

120002362

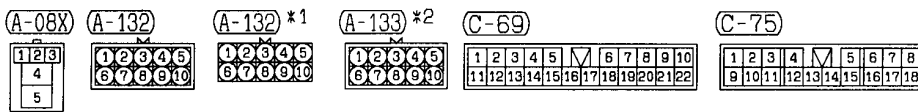
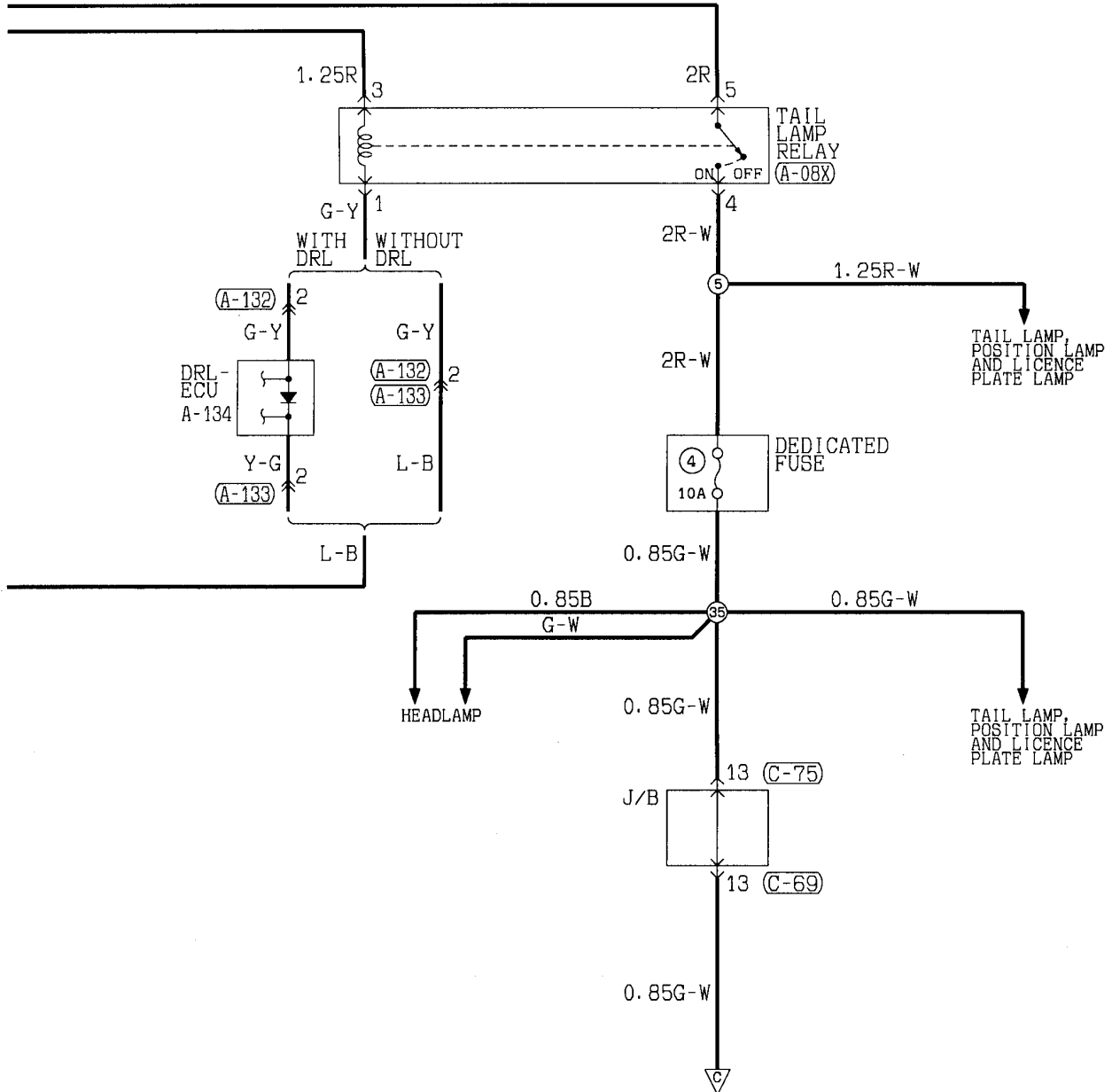
L.H. drive vehicles



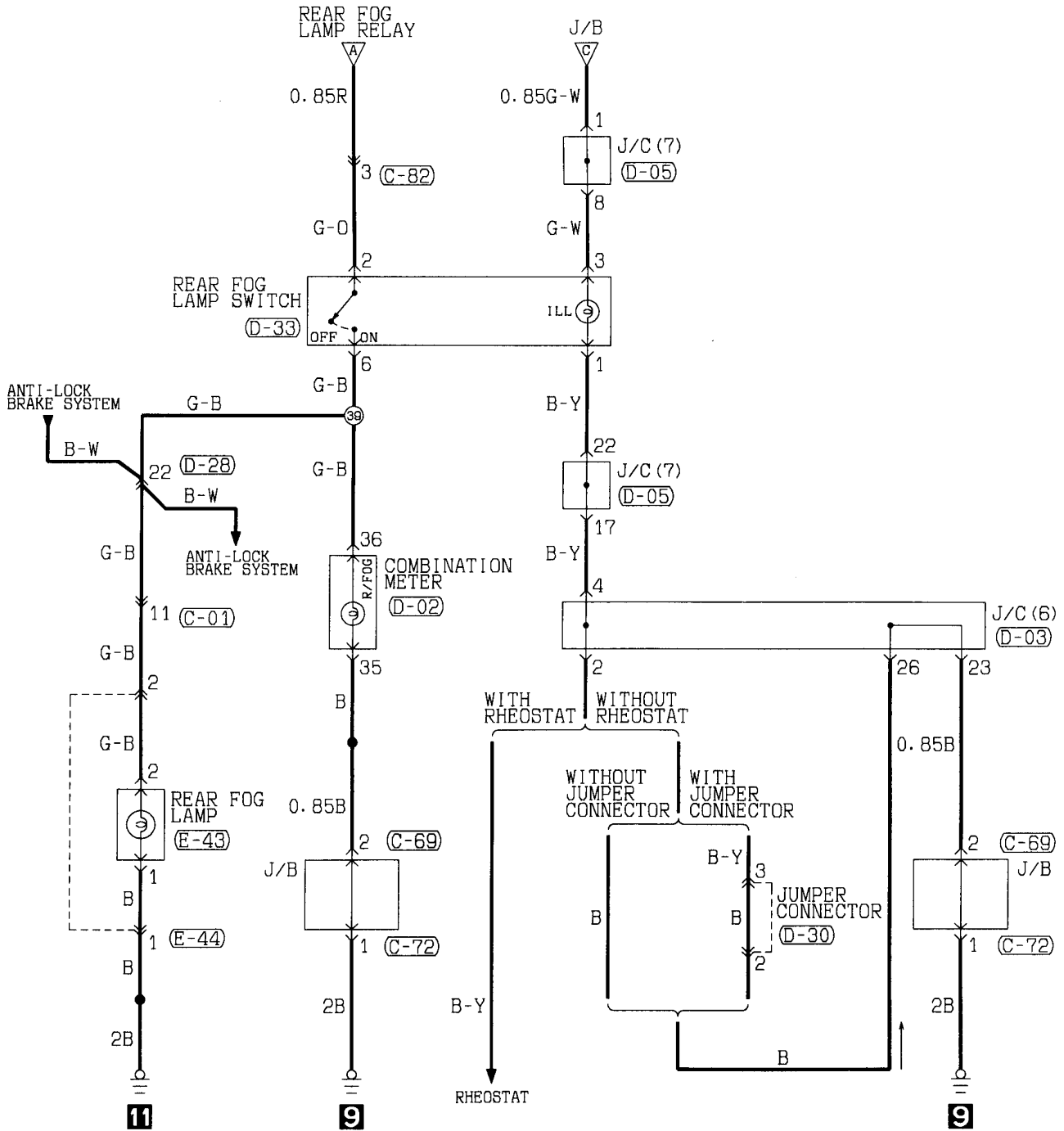
Remarks  
 \*1: WITHOUT DRL  
 \*2: WITH DRL



Wire colour code  
 B:Black LG:Light green G:Green L:Blue W:White Y:Yellow SB:Sky blue  
 BR:Brown O:Orange GR:Gray R:Red P:Pink V:Violet



REAR FOG LAMP <L.H. drive vehicles> (CONTINUED)



(C-01)

1	2	3	4	M	5	6	7	8	
9	10	11	12	13	14	15	16	17	18

(C-69)

1	2	3	4	5	M	6	7	8	9	10	
11	12	13	14	15	16	17	18	19	20	21	22

(C-72)

1	2	3	4		
5	6	7	8	9	10

(C-82)

M	1	2	3
---	---	---	---

(D-02)

31	32	33	34	35	36	37	38	X	39	40	41	42	43	44
----	----	----	----	----	----	----	----	---	----	----	----	----	----	----

(D-03)

1	2	3	4	5	6	7	8	9	10	11
12	13	14	15	16	17	18	19	20	21	22
23	24	25	26	27	28	29	30	31	32	33

(D-05)

1	2	3	4	5	6	7	8	9	10	11
12	13	14	15	16	17	18	19	20	21	22

(D-28)

1	2	3	4	5	M	6	7	8	9	10	
11	12	13	14	15	16	17	18	19	20	21	22

(D-30)

1	2	3	4
---	---	---	---

(D-33)

1	M	2	
3	4	5	6

(E-43)



(E-44)

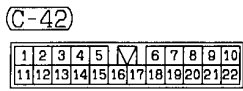
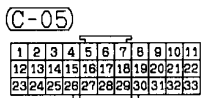
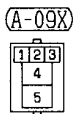
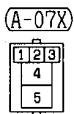
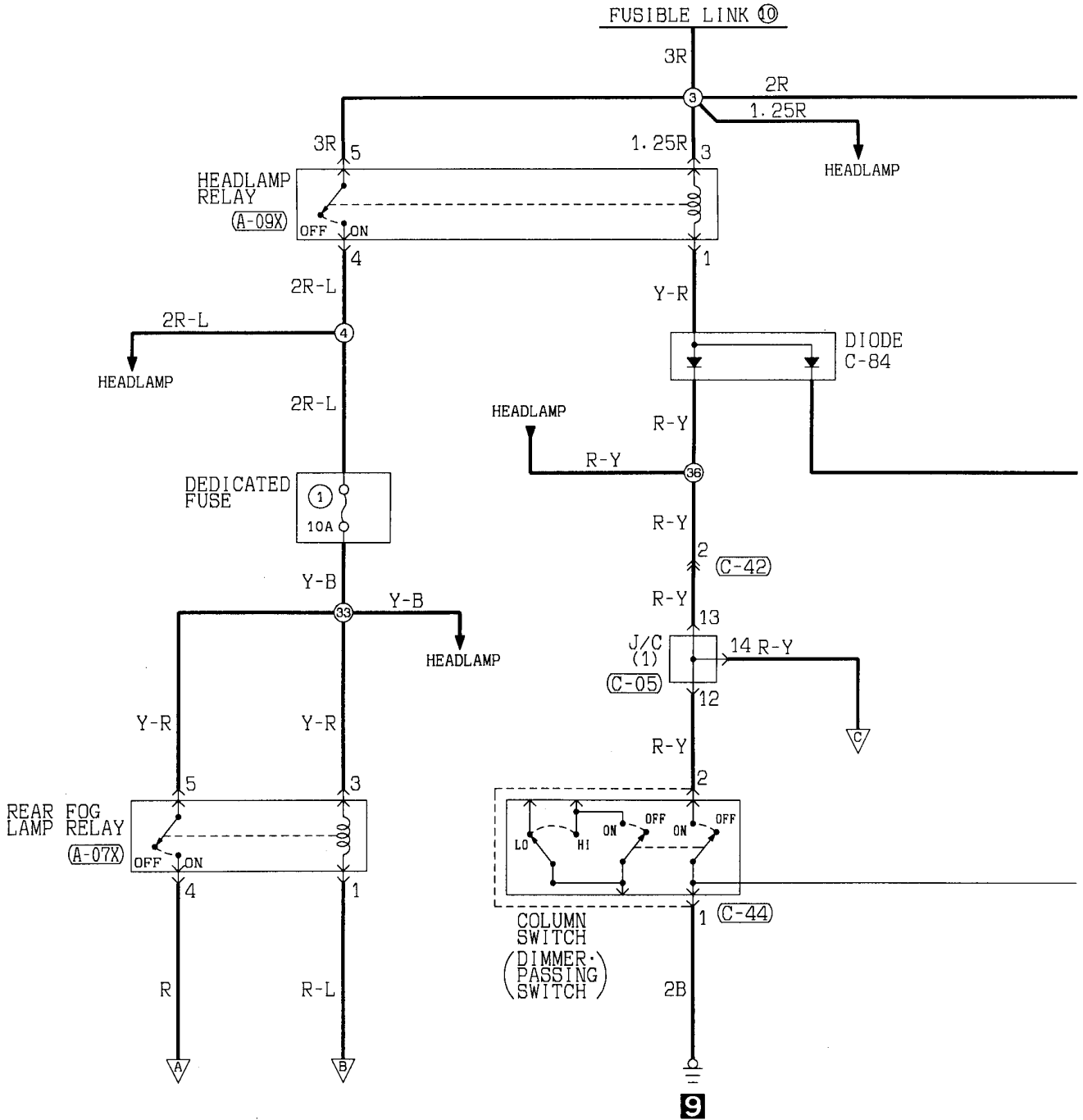
M	1	2
---	---	---

NOTES

REAR FOG LAMP

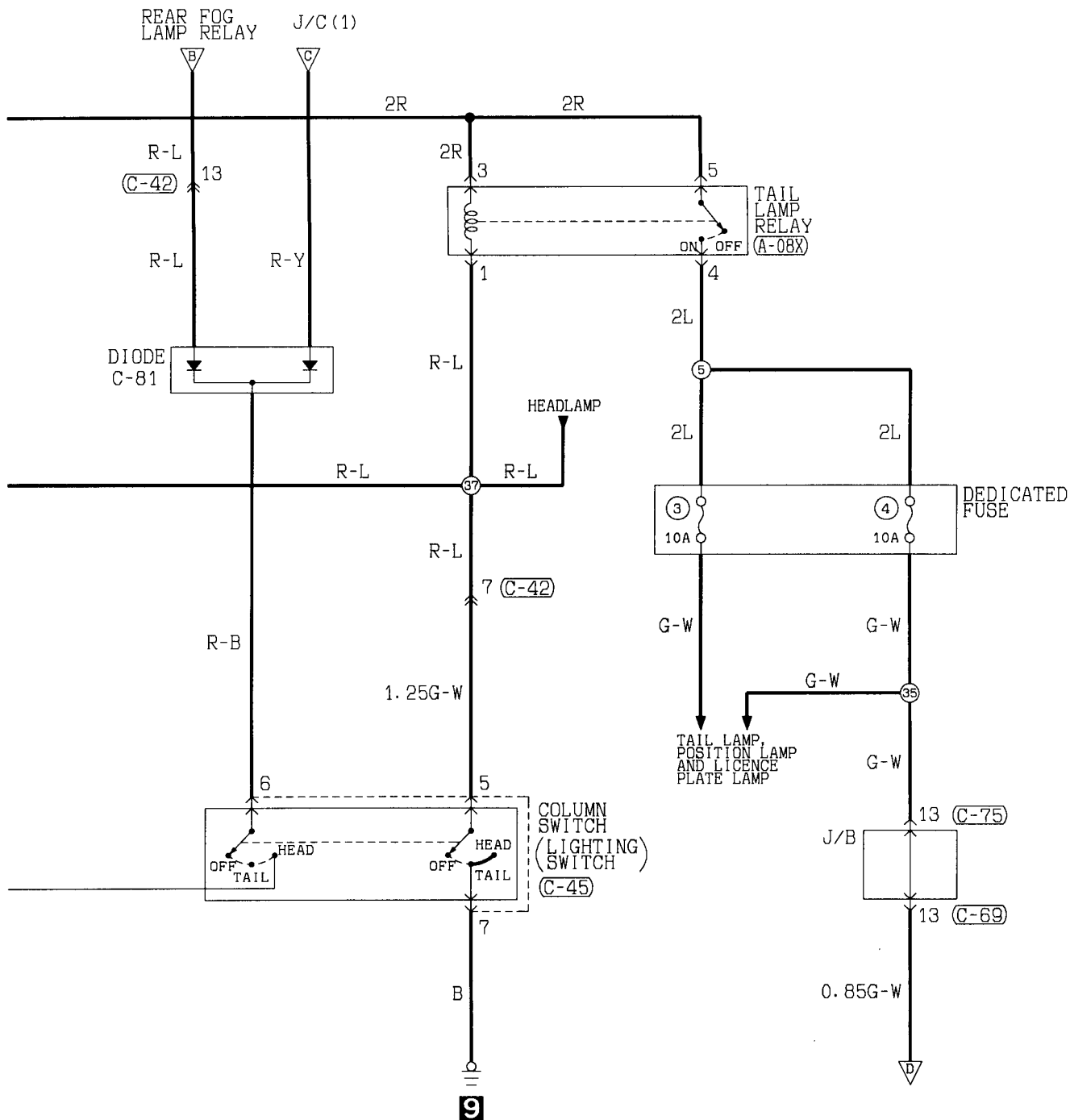
120002363

R.H. drive vehicles



Wire colour code  
 B:Black LG:Light green G:Green L:Blue W:White Y:Yellow SB:Sky blue  
 BR:Brown O:Orange GR:Gray R:Red P:Pink V:Violet





(A-08X)

(C-42)

(C-45)

(C-69)

(C-75)

1	2	3
4		
5		

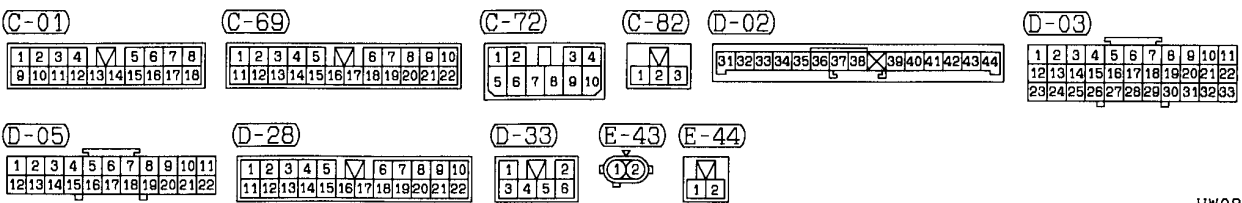
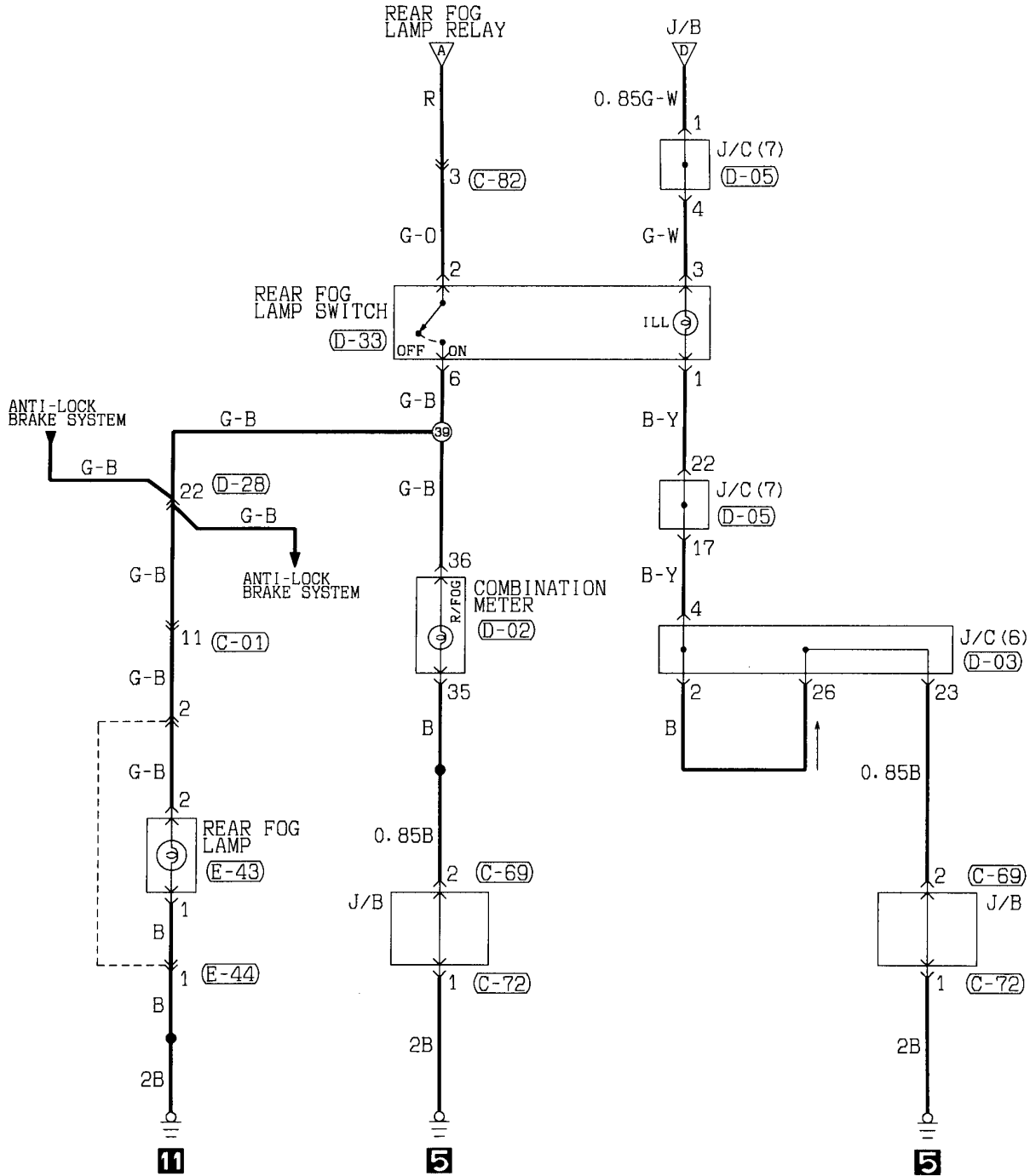
1	2	3	4	5	M	6	7	8	9	10	
11	12	13	14	15	16	17	18	19	20	21	22

1	2	M	3	4	
5	6	7	8	9	10

1	2	3	4	5	M	6	7	8	9	10	
11	12	13	14	15	16	17	18	19	20	21	22

1	2	3	4	M	5	6	7	8	
9	10	11	12	13	14	15	16	17	18

REAR FOG LAMP <R.H. drive vehicles> (CONTINUED)

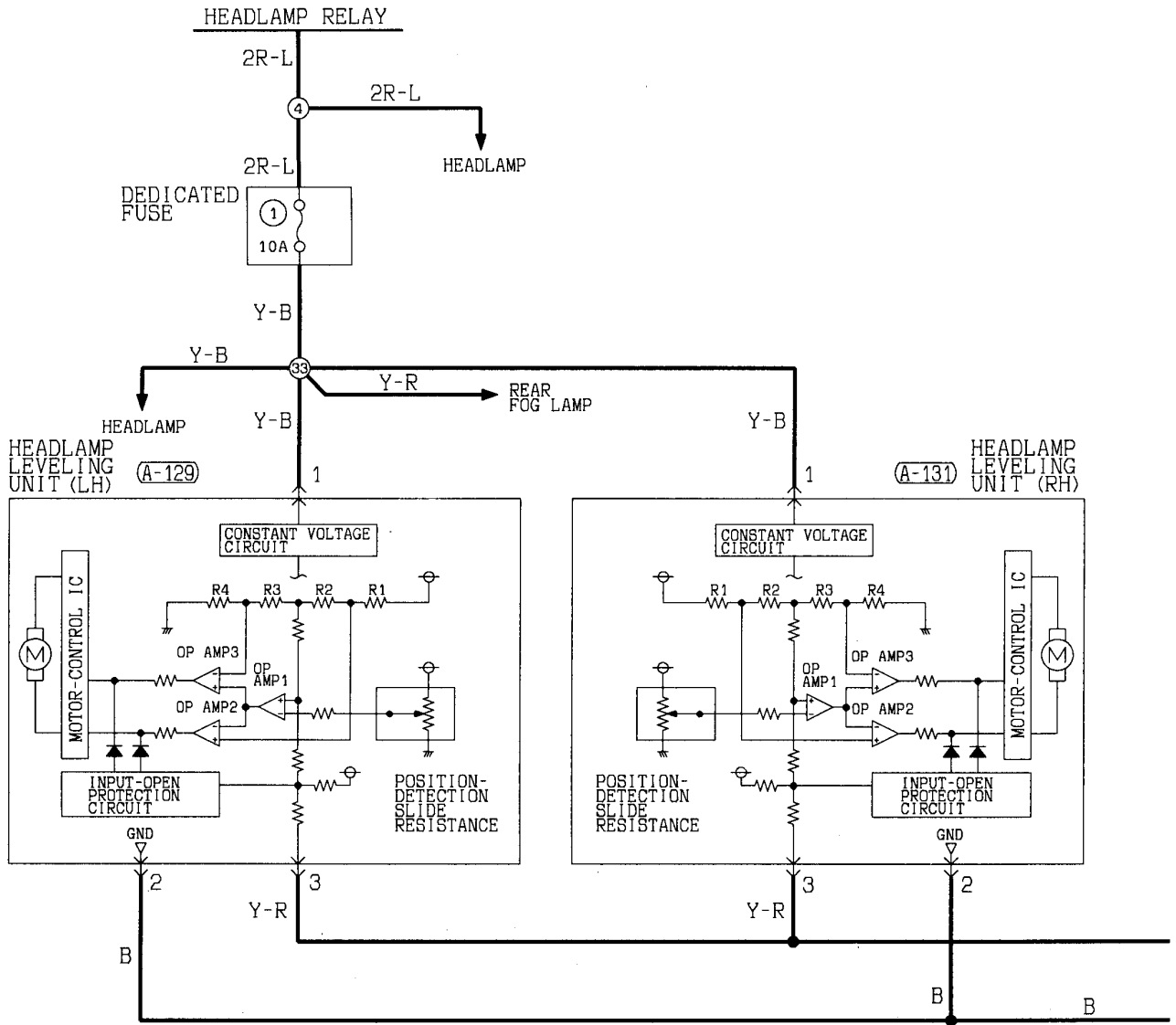


NOTES

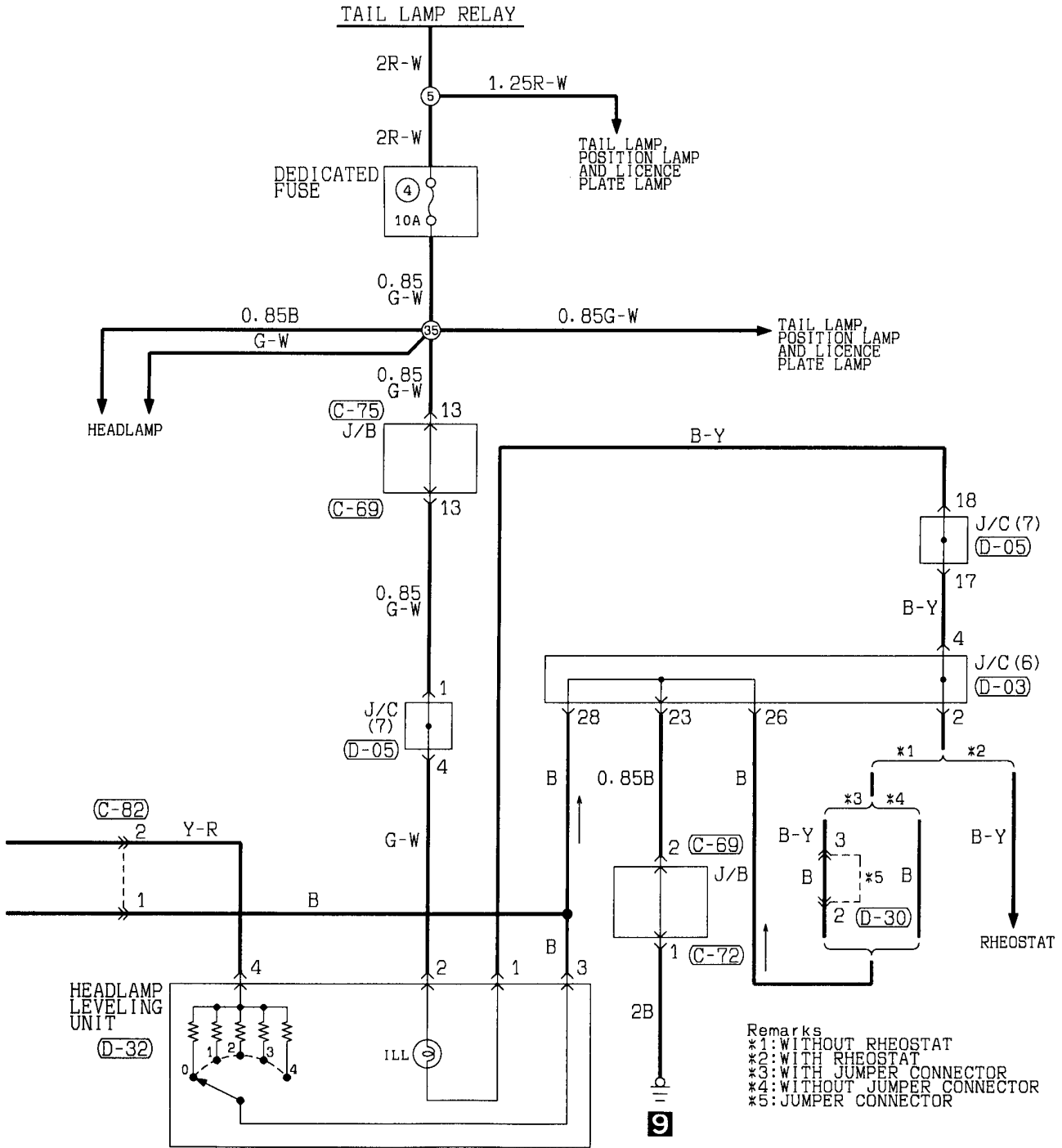
HEADLAMP LEVELING SYSTEM

120002364

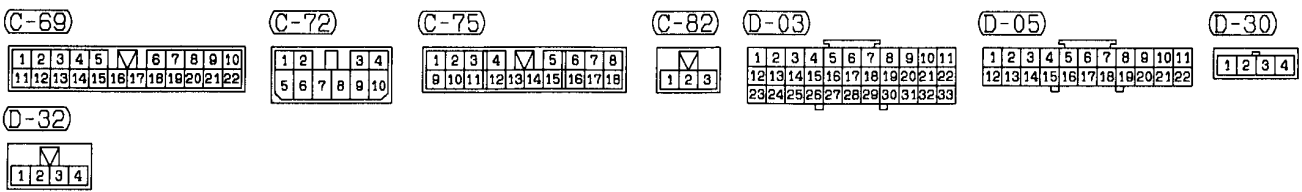
L.H. drive vehicles



Wire colour code  
 B:Black LG:Light green G:Green L:Blue W:White Y:Yellow SB:Sky blue  
 BR:Brown O:Orange GR:Gray R:Red P:Pink V:Violet



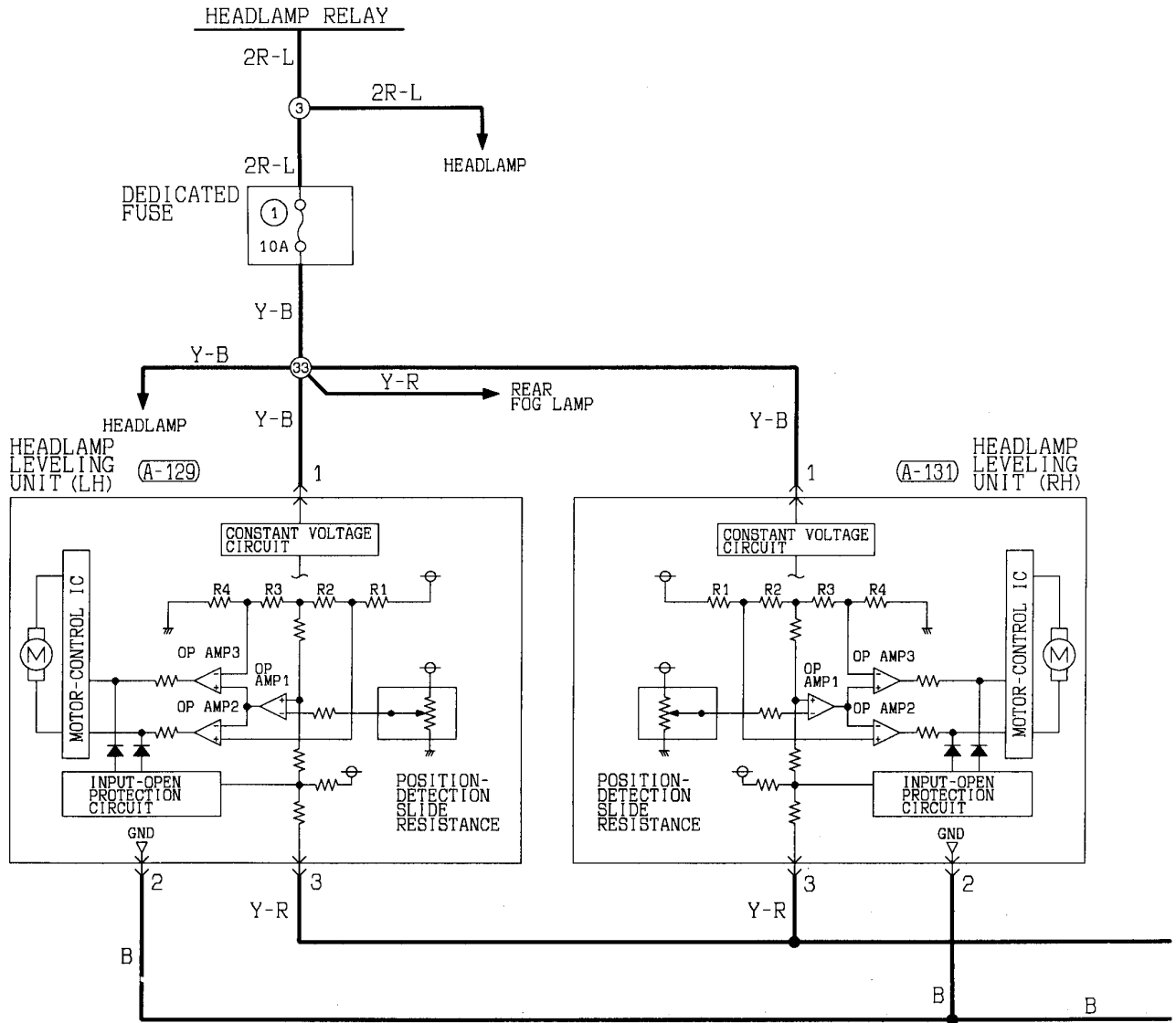
Remarks  
 \*1: WITHOUT RHEOSTAT  
 \*2: WITH RHEOSTAT  
 \*3: WITH JUMPER CONNECTOR  
 \*4: WITHOUT JUMPER CONNECTOR  
 \*5: JUMPER CONNECTOR



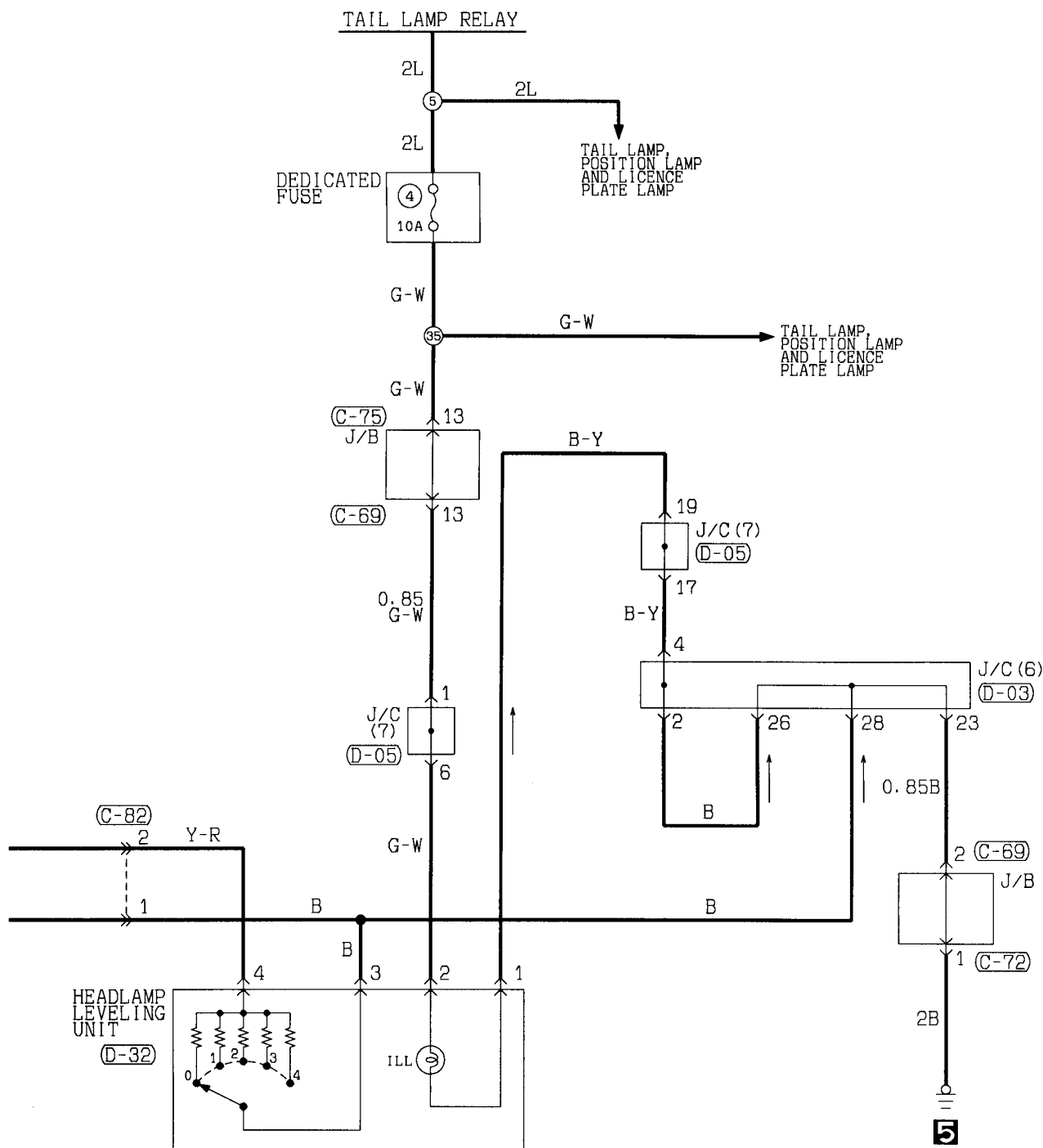
HEADLAMP LEVELING SYSTEM

120002365

R.H. drive vehicles



Wire colour code  
 B:Black LG:Light green G:Green L:Blue W:White Y:Yellow SB:Sky blue  
 BR:Brown O:Orange GR:Gray R:Red P:Pink V:Violet



(C-69)

1	2	3	4	5	6	7	8	9	10
11	12	13	14	15	16	17	18	19	20
21	22								

(C-72)

1	2	3	4
5	6	7	8
9	10		

(C-75)

1	2	3	4	5	6	7	8
9	10	11	12	13	14	15	16
17	18						

(C-82)

1	2	3
---	---	---

(D-03)

1	2	3	4	5	6	7	8	9	10	11
12	13	14	15	16	17	18	19	20	21	22
23	24	25	26	27	28	29	30	31	32	33

(D-05)

1	2	3	4	5	6	7	8	9	10	11
12	13	14	15	16	17	18	19	20	21	22

(D-32)

1	2	3	4
---	---	---	---

**HEADLAMP LEVELING SYSTEM (See P. 4-90, 92.)**

120002366

**OPERATION****1. Headlamps angle-downward operation**

- When the lighting switch is set to the "HEAD" position, the headlamp relay is switched ON, and battery voltage is applied, through the headlamp leveling unit, to dedicated fuse No. (1).
- When the headlamp leveling switch setting is changed from "0" to "1", the positive (+) input terminal voltage of the comparator OP AMP 1 (located within the headlamp leveling unit) becomes greater than the negative (-) input terminal standard reference voltage value, and OP AMP 1 outputs HIGH signals to OP AMP 2 and OP AMP 3.
- As a result of these HIGH signals, OP AMP 2 outputs LOW signals and OP AMP 3 outputs HIGH signals to the motor-control IC.
- when this happens, the motor-control IC is switched ON, current flows to the motor, and the motor rotates in the forward direction.
- The rotation of the motor, after passing through the gears and the output shaft, causes the headlamp reflectors to move to a downward angle, thus changing the angle of headlamp illumination.
- At this time, the position-detection sliding resistance is activated in the direction of the low resistance value, after which the OP AMP 1 negative (-) input terminal voltage value and positive (+) input terminal voltage value become equivalent, and OP AMP 2 and OP AMP 3 both output HIGH signals.
- When this happens, the motor-control IC is switched OFF and the motor stops.

**NOTE**

- (1) The same operation occurs if the headlamp leveling switch is set to another position.
- (2) The input open protection circuit functions to stop the operation of the motor if there is an abnormal condition, such as damaged or disconnected wiring within the headlamp leveling unit or of the wiring harness.

**2. Headlamps angle-upward operation**

- The headlamp angle-upward operation is the opposite logic of the downward operation, the motor operates in the reverse direction and then stops.

**TROUBLESHOOTING HINTS**

1. Absolutely no change of the headlamp angle
  - (1) The upper-beam indicator lamp illuminates.
    - Check the headlamp leveling switch.
    - Check the headlamp leveling unit.
  - (2) The upper-beam indicator lamp does not illuminate.
    - Check dedicated fuse No. (1)
2. There is one setting of the headlamp leveling switch at which the headlamp angle does not change.
  - Check the headlamp leveling switch.



**ROOM LAMP (See P. 4-96, 98, 100.)**

120002367

**OPERATION**

- Placing the room lamp switch in the ON position causes the room lamp to illuminate at all times.
- Opening any one of the doors with the room lamp switch in the DOOR position causes the room lamp to illuminate.
- Closing all doors causes the room lamp to switch off.

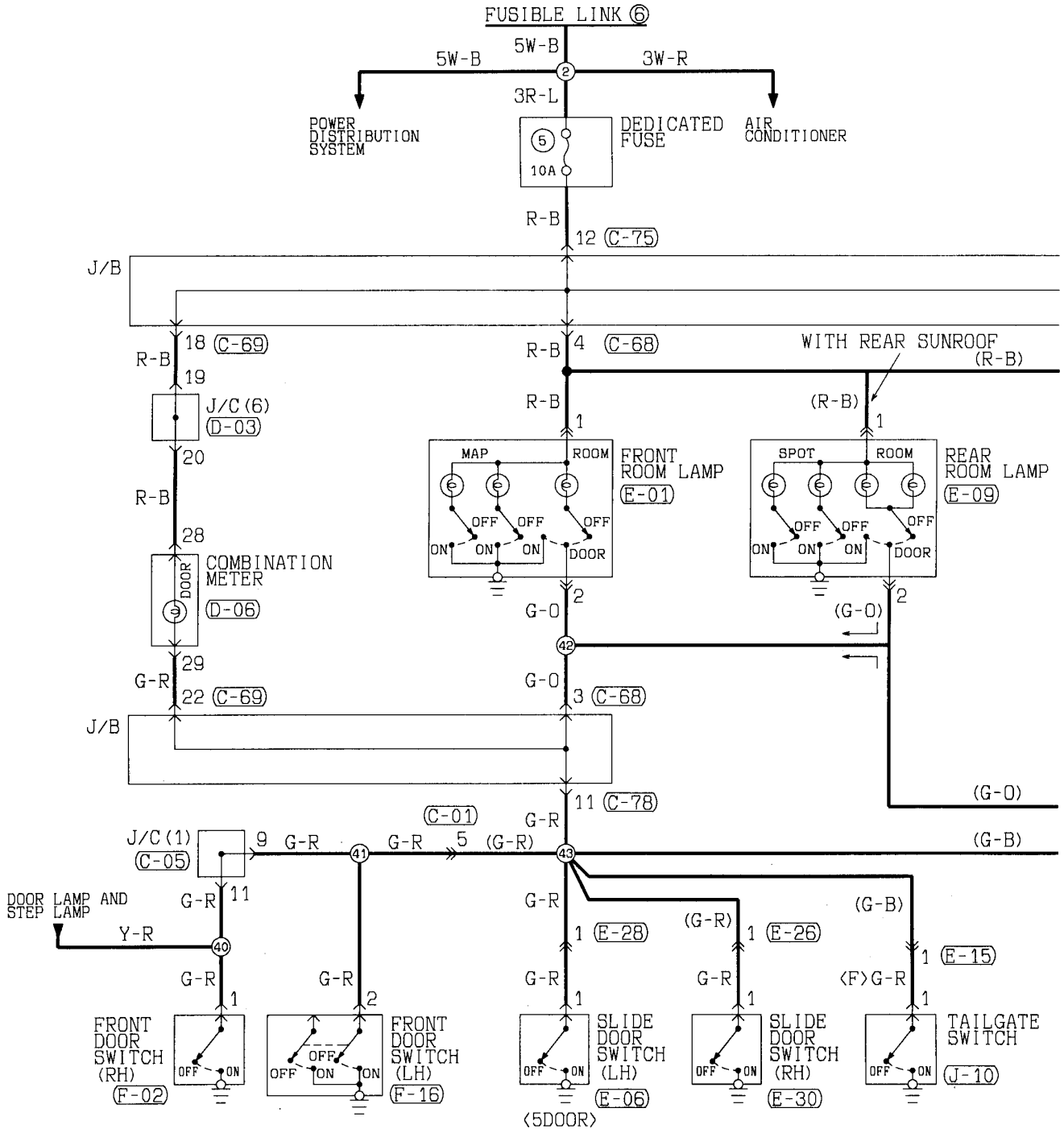
**TROUBLESHOOTING HINTS**

1. Room lamp does not illuminate.
  - (1) Clock is not operating, either.
    - Check dedicated fuse No. (5).
  - (2) Room lamp does not illuminate when any door is opened with the room lamp switch in the DOOR position.
    - Check bulb
    - Check room lamp switch
  - (2) Room lamp does not illuminate when a door is opened with the room lamp switch in the DOOR position.
    - Check door switch (of the suspected door).

ROOM LAMP

120002368

L.H. drive vehicles with sunroof



(C-01)

1	2	3	4	5	6	7	8		
9	10	11	12	13	14	15	16	17	18

(C-05)

1	2	3	4	5	6	7	8	9	10	11
12	13	14	15	16	17	18	19	20	21	22
23	24	25	26	27	28	29	30	31	32	33

(C-68)

1	2	3	4
---	---	---	---

(C-69)

1	2	3	4	5	6	7	8	9	10		
11	12	13	14	15	16	17	18	19	20	21	22

(C-75)

1	2	3	4	5	6	7	8		
9	10	11	12	13	14	15	16	17	18

(C-78)

1	2	3	4	5	6	7	8	9	
10	11	12	13	14	15	16	17	18	19

(D-03)

1	2	3	4	5	6	7	8	9	10	11
12	13	14	15	16	17	18	19	20	21	22
23	24	25	26	27	28	29	30	31	32	33

(D-06)

2	1	2	3	4	5	6	7	8	9	10	11
12	13	14	15	16	17	18	19	20	21	22	23
24	25	26	27	28	29	30	31	32	33	34	35

(E-01)

1
2

(E-06)

1
2

(E-09)

1
2

(E-15)

1	2	3
---	---	---

(E-26)

1
2

(E-28)

1
2

(E-30)

1
2

(F-02)

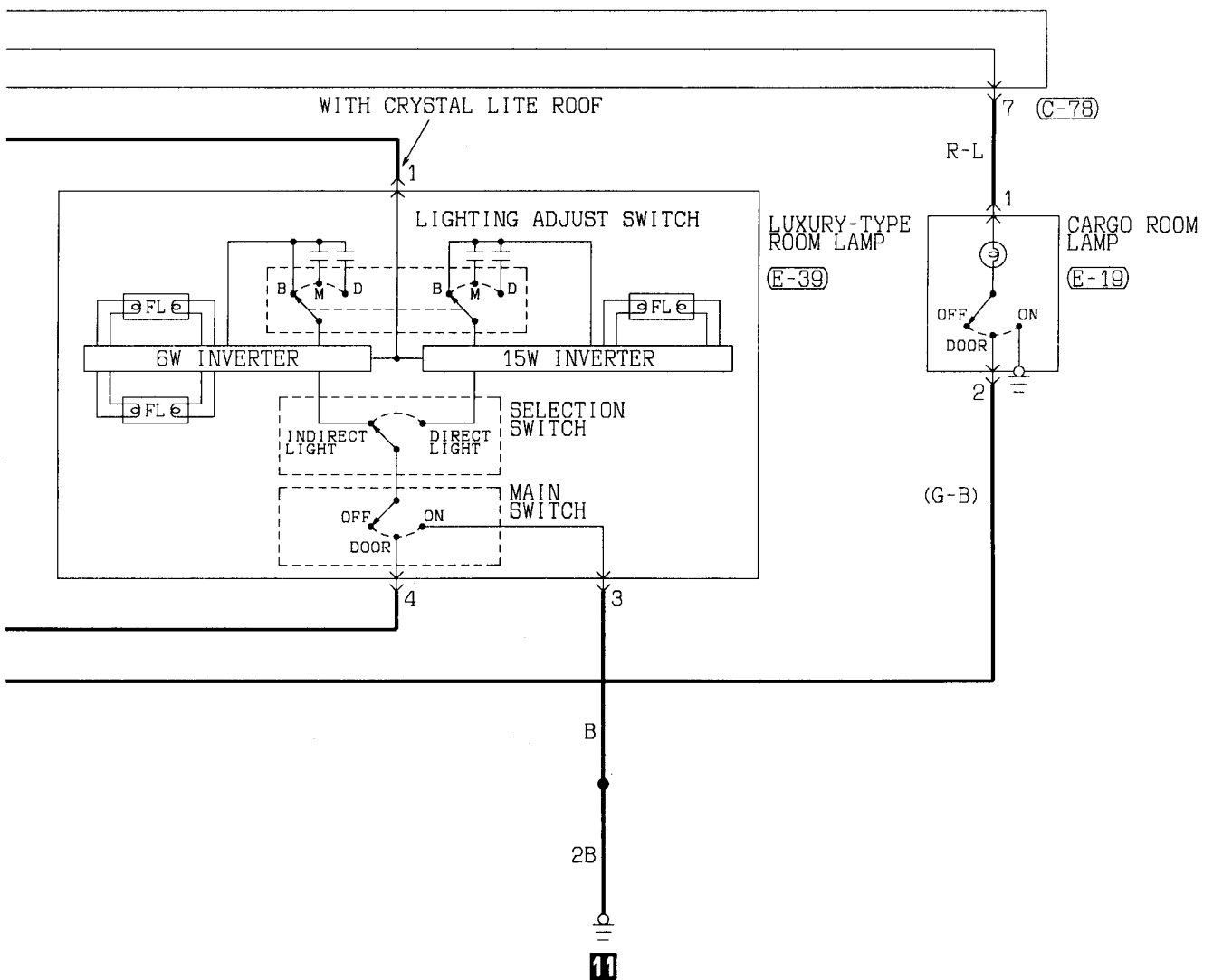
1
2

(F-16)

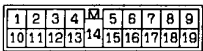
1
2

(J-10)

1
2



(C-78)



(E-19)



(E-39)

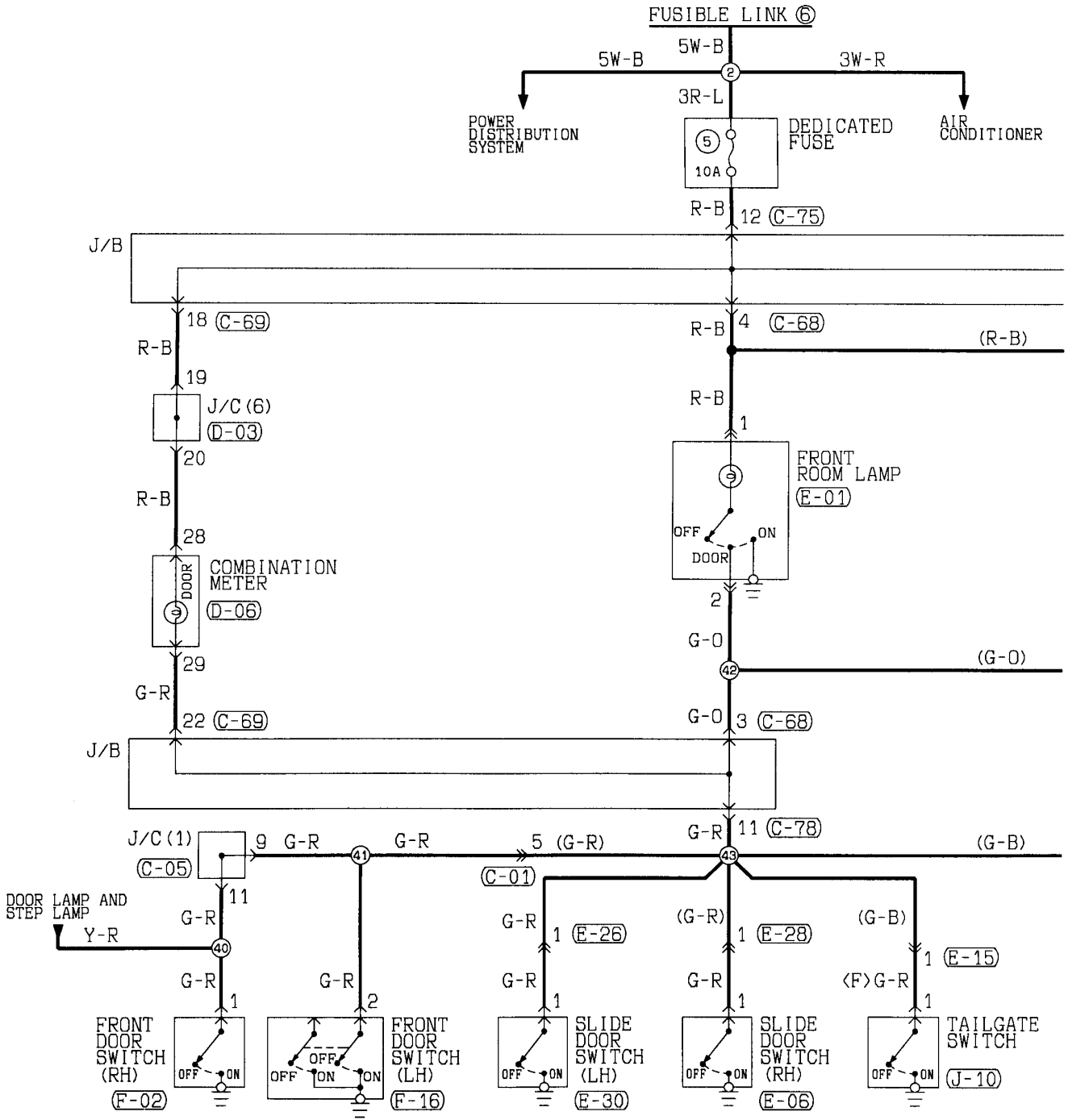


Wire colour code  
 B:Black LG:Light green G:Green L:Blue W:White Y:Yellow SB:Sky blue  
 BR:Brown O:Orange GR:Gray R:Red P:Pink V:Violet

ROOM LAMP

120002369

L.H. drive vehicles without sunroof



C-01

1	2	3	4	5	6	7	8
9	10	11	12	13	14	15	16
17	18						

C-05

1	2	3	4	5	6	7	8	9	10	11
12	13	14	15	16	17	18	19	20	21	22
23	24	25	26	27	28	29	30	31	32	33

C-68

1	2	3	4
---	---	---	---

C-69

1	2	3	4	5	6	7	8	9	10
11	12	13	14	15	16	17	18	19	20
21	22								

C-75

1	2	3	4	5	6	7	8
9	10	11	12	13	14	15	16
17	18						

C-78

1	2	3	4	5	6	7	8	9
10	11	12	13	14	15	16	17	18
19								

D-03

1	2	3	4	5	6	7	8	9	10	11
12	13	14	15	16	17	18	19	20	21	22
23	24	25	26	27	28	29	30	31	32	33

D-06

21	22	23	24	25	26	27	28	29	30

E-01

1
2

E-06

1
---

E-15

1	2	3
---	---	---

E-26

1
---

E-28

1
---

E-30

1
---

F-02

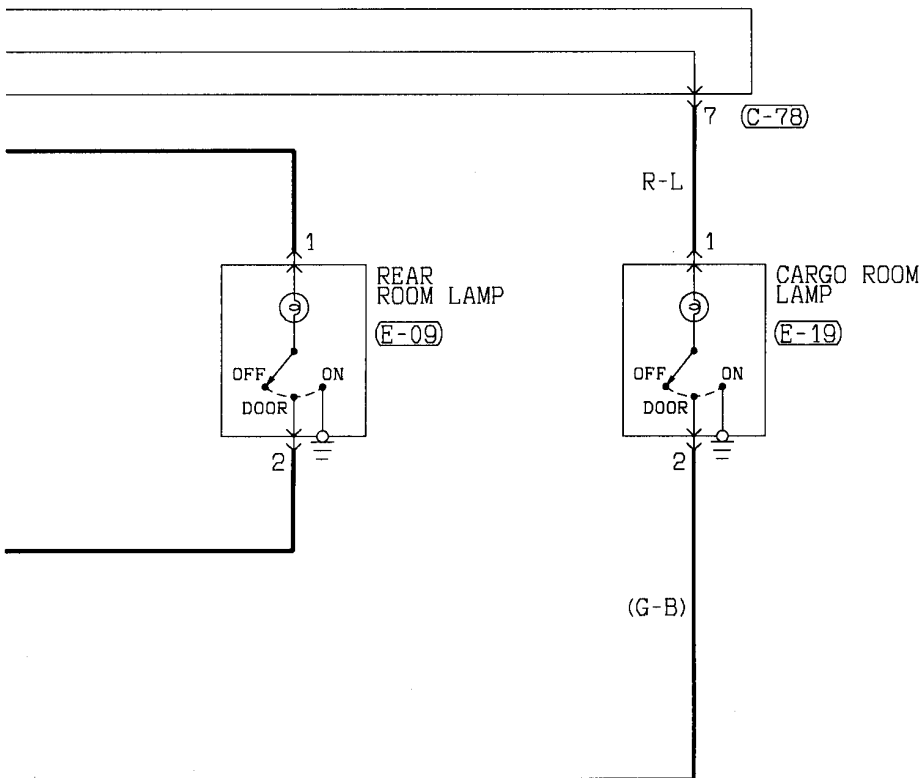
1
---

F-16

1	2
---	---

J-10

1
---



(C-78)

(E-09)

(E-19)

1	2	3	4	5	6	7	8	9	
10	11	12	13	14	15	16	17	18	19

1
2

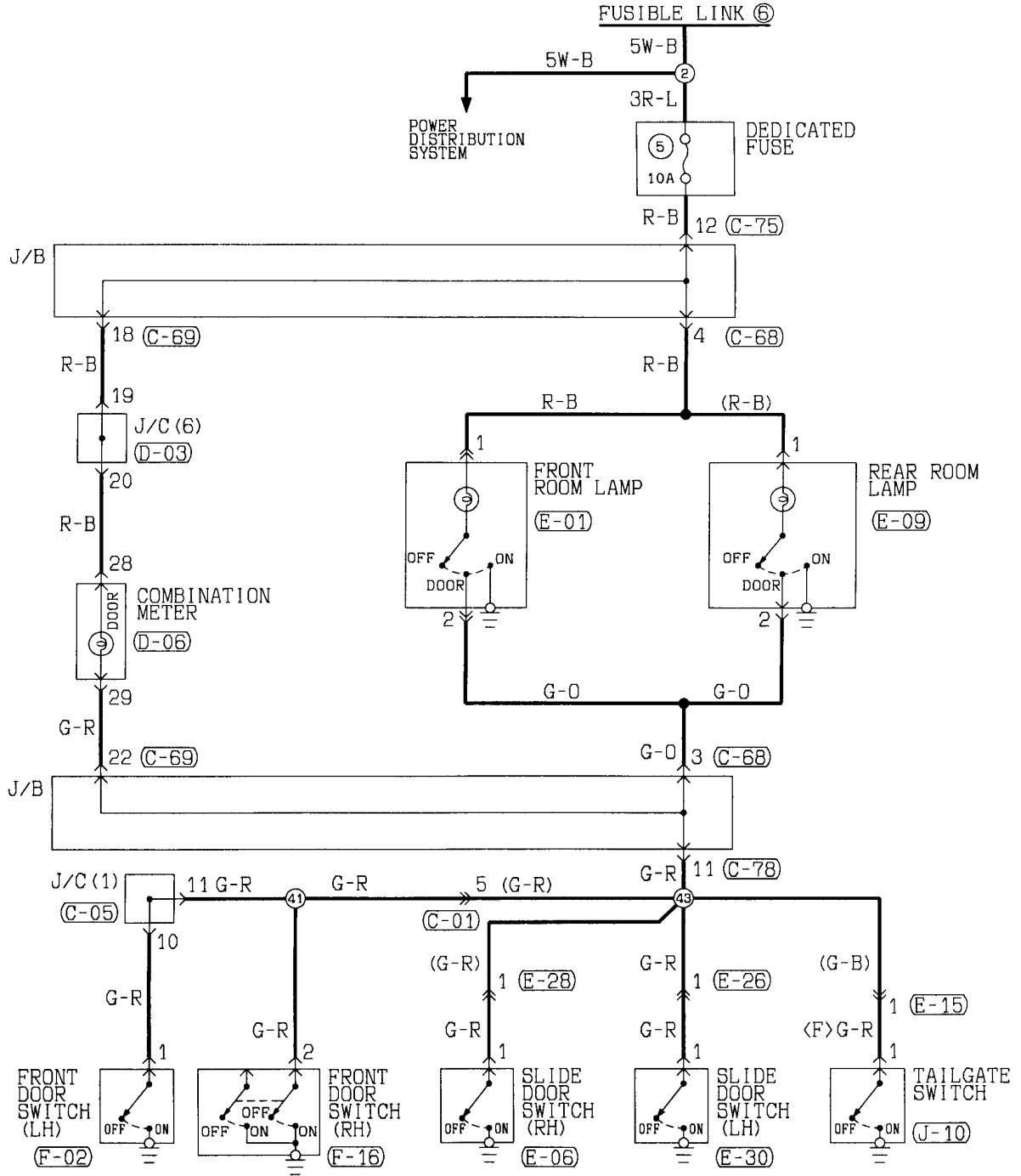
1
2

Wire colour code  
 B:Black LG:Light green G:Green L:Blue W:White Y:Yellow SB:Sky blue  
 BR:Brown O:Orange GR:Gray R:Red P:Pink V:Violet

ROOM LAMP

120002370

R.H. drive vehicles



C-01

1	2	3	4	M	5	6	7	8	
9	10	11	12	13	14	15	16	17	18

C-05

1	2	3	4	5	6	7	8	9	10	11
12	13	14	15	16	17	18	19	20	21	22
23	24	25	26	27	28	29	30	31	32	33

C-68

M			
1	2	3	4

C-69

1	2	3	4	5	M	6	7	8	9	10	
11	12	13	14	15	16	17	18	19	20	21	22

C-75

1	2	3	4	M	5	6	7	8	
9	10	11	12	13	14	15	16	17	18

C-78

1	2	3	4	M	5	6	7	8	9
10	11	12	13	14	15	16	17	18	19

D-03

1	2	3	4	5	6	7	8	9	10	11
12	13	14	15	16	17	18	19	20	21	22
23	24	25	26	27	28	29	30	31	32	33

D-06

2	1	2	3	4	5	6	7	8	9	10	11
12	13	14	15	16	17	18	19	20	21	22	23
24	25	26	27	28	29	30	31	32	33	34	35

E-01

1
2

E-06

1
2

E-15

1	2	3
---	---	---

E-26

1
2

E-28

1
2

E-30

1
2

F-02

1
2

F-16

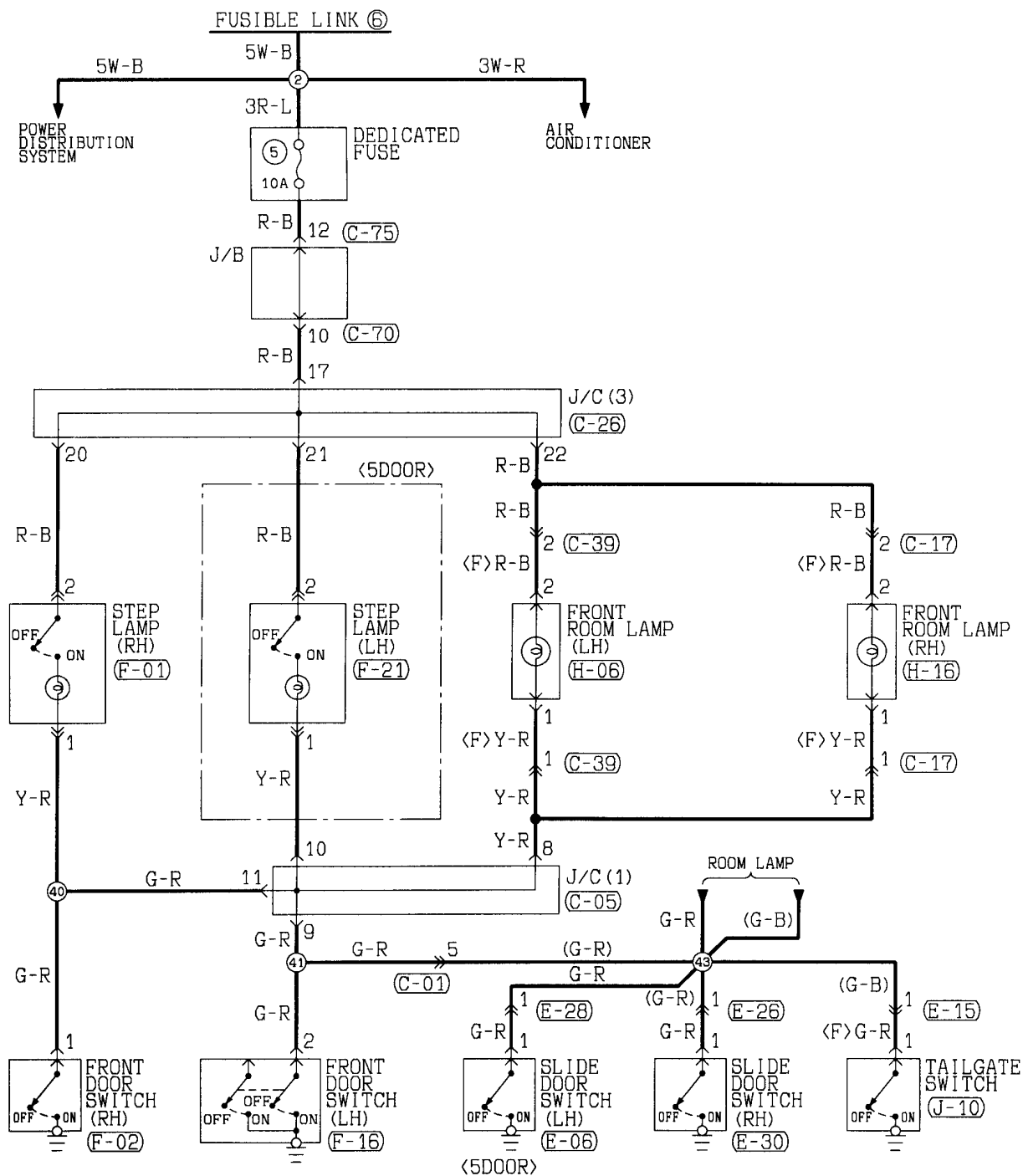
M	
1	2

J-10

1
2

DOOR LAMP AND STEP LAMP

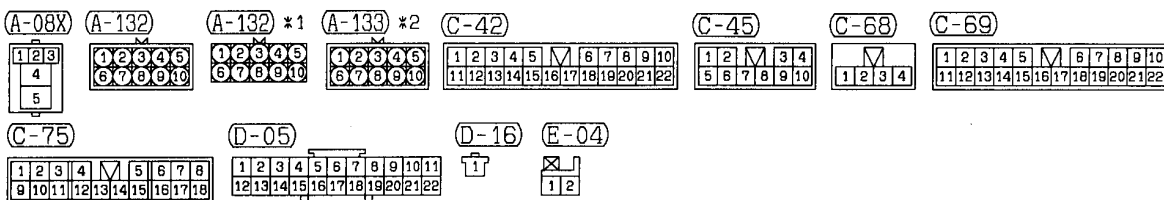
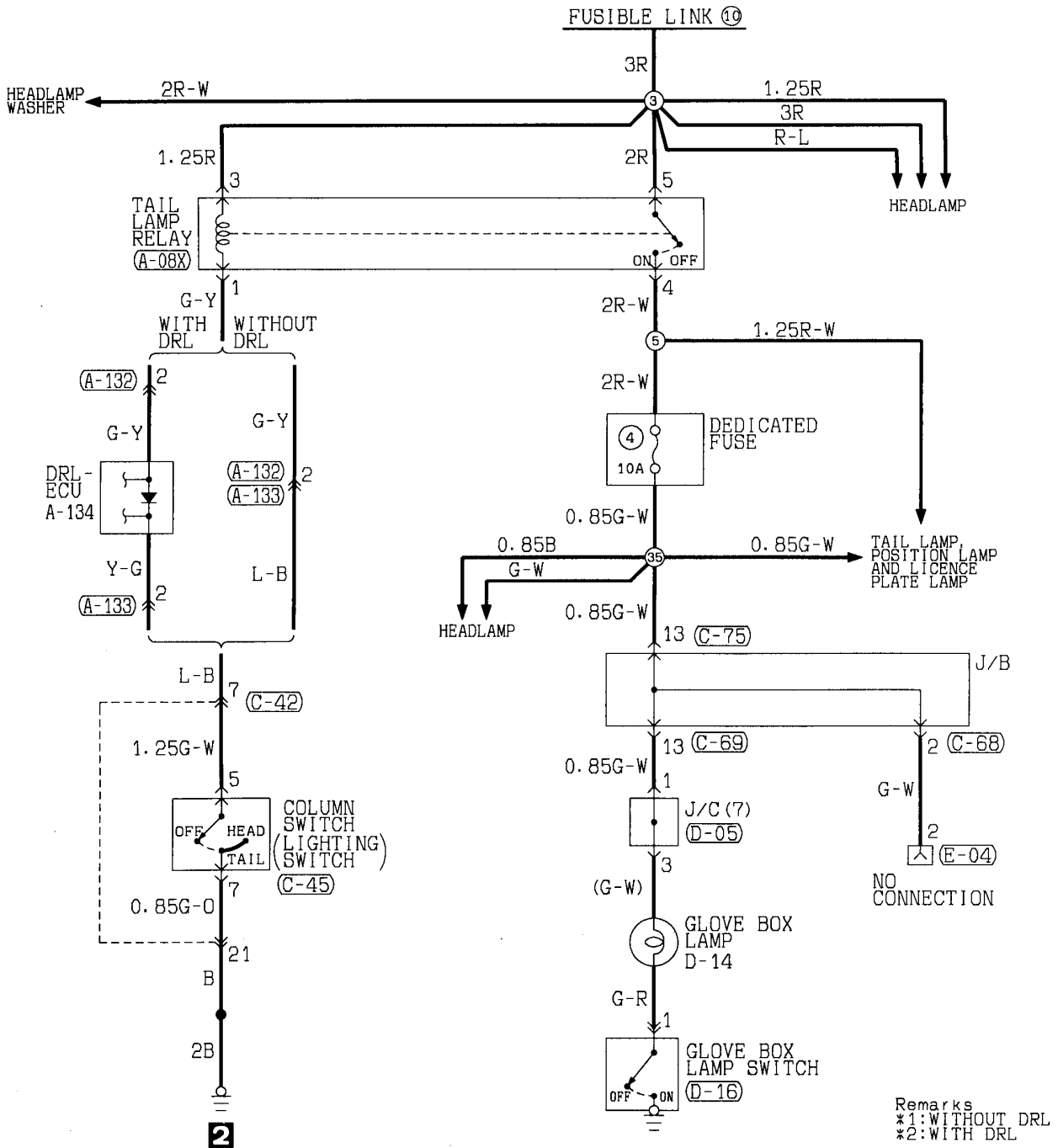
120002371



<b>C-01</b> 1 2 3 4 5 6 7 8 9 10 11 12 13 14 15 16 17 18	<b>C-05</b> 1 2 3 4 5 6 7 8 9 10 11 12 13 14 15 16 17 18 19 20 21 22 23 24 25 26 27 28 29 30 31 32 33	<b>C-17</b> 1 2 3 4 5 6 7 8 9 10 11 12 13 14 15 16 17 18 19 20	<b>C-26</b> 1 2 3 4 5 6 7 8 9 10 11 12 13 14 15 16 17 18 19 20 21 22 23 24 25 26 27 28 29 30 31 32 33	<b>C-39</b> 1 2 3 4 5 6 7 8 9 10 11 12 13 14 15 16 17 18 19 20 21 22 23 24 25 26 27 28 29 30 31 32	<b>C-70</b> 1 2 3 4 5 6 7 8 9 10 11 12 13 14 15 16 17 18							
<b>C-75</b> 1 2 3 4 5 6 7 8 9 10 11 12 13 14 15 16 17 18	<b>E-06</b> 1	<b>E-15</b> 1 2 3	<b>E-26</b> 1	<b>E-28</b> 1	<b>E-30</b> 1	<b>F-01</b> 1	<b>F-02</b> 1	<b>F-16</b> 1 2	<b>F-21</b> 1 2	<b>H-06</b> 1 2	<b>H-16</b> 1 2	<b>J-10</b> 1

GLOVE BOX LAMP

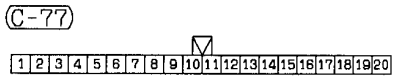
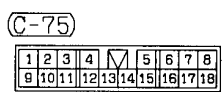
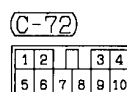
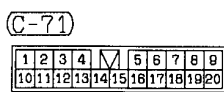
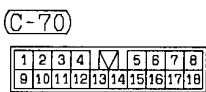
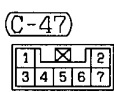
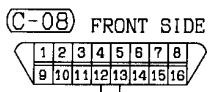
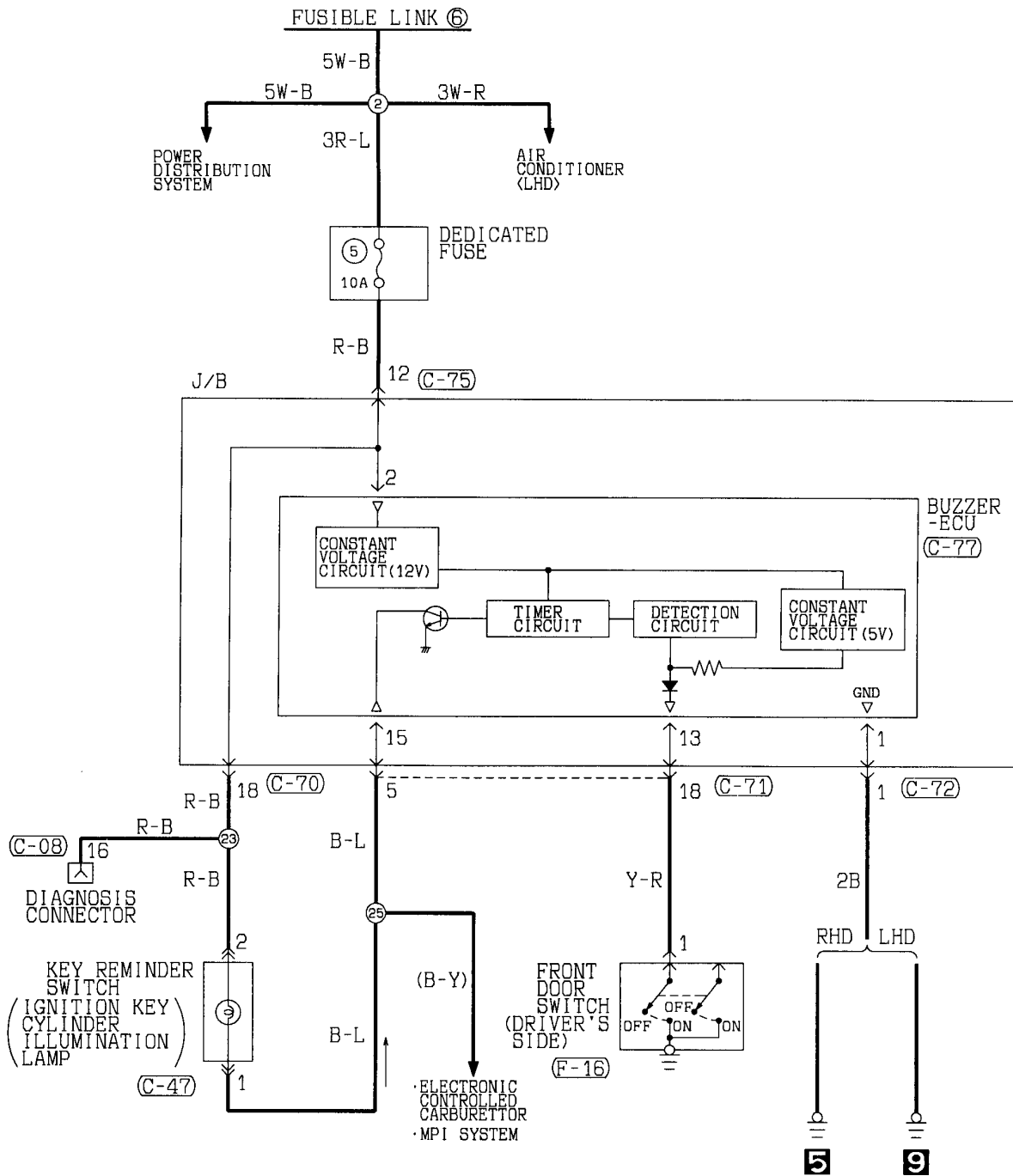
120002372





IGNITION KEY CYLINDER ILLUMINATION LAMP

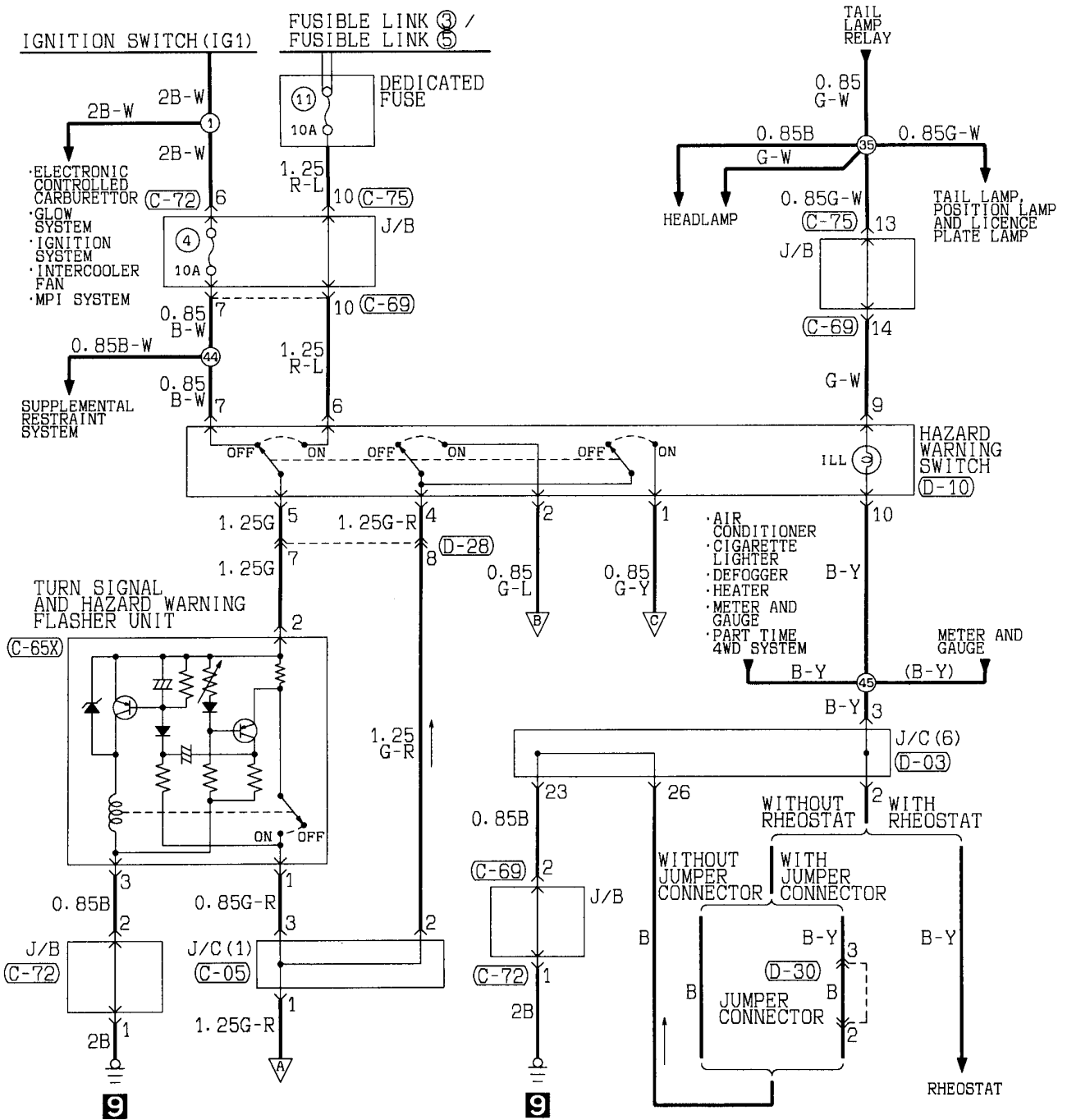
120002373



TURN-SIGNAL LAMP AND HAZARD WARNING LAMP

120002374

L.H. drive vehicles



(C-05)

1	2	3	4	5	6	7	8	9	10	11
12	13	14	15	16	17	18	19	20	21	22
23	24	25	26	27	28	29	30	31	32	33

(C-65X)

1	
2	3

(C-69)

1	2	3	4	5	6	7	8	9	10		
11	12	13	14	15	16	17	18	19	20	21	22

(C-72)

1	2	3	4		
5	6	7	8	9	10

(C-75)

1	2	3	4	5	6	7	8		
9	10	11	12	13	14	15	16	17	18

(D-03)

1	2	3	4	5	6	7	8	9	10	11
12	13	14	15	16	17	18	19	20	21	22
23	24	25	26	27	28	29	30	31	32	33

(D-10)

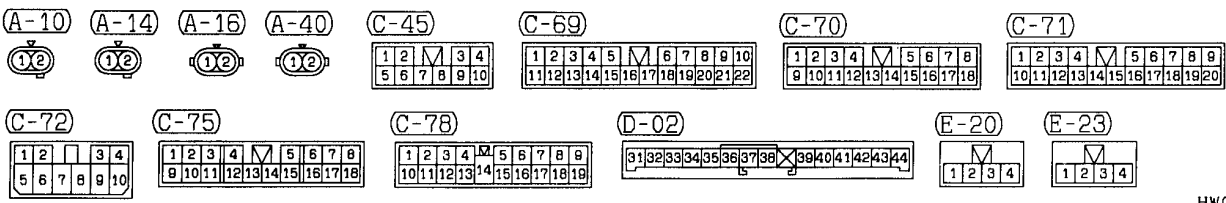
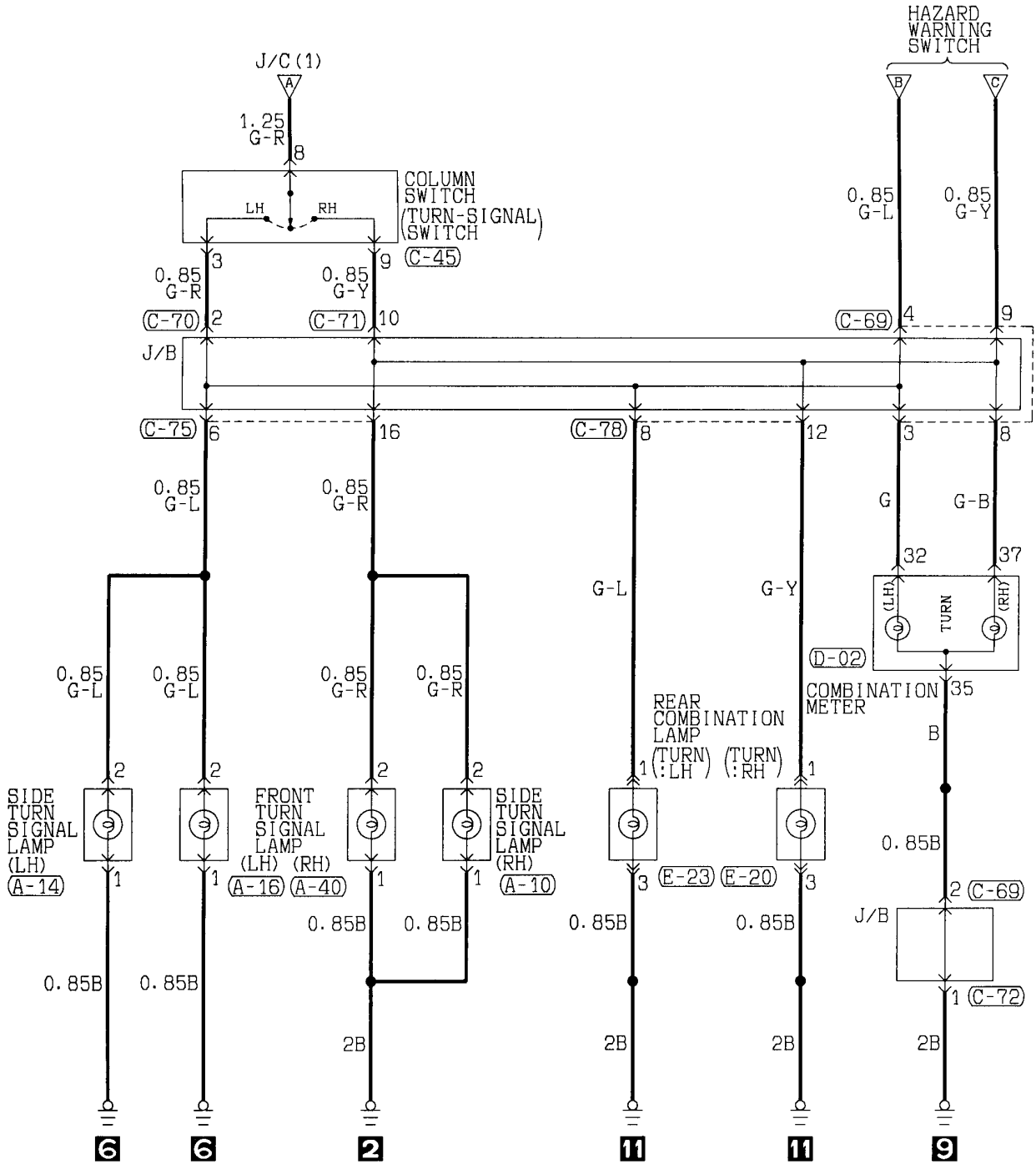
1	2	3	4		
5	6	7	8	9	10

(D-28)

1	2	3	4	5	6	7	8	9	10		
11	12	13	14	15	16	17	18	19	20	21	22

(D-30)

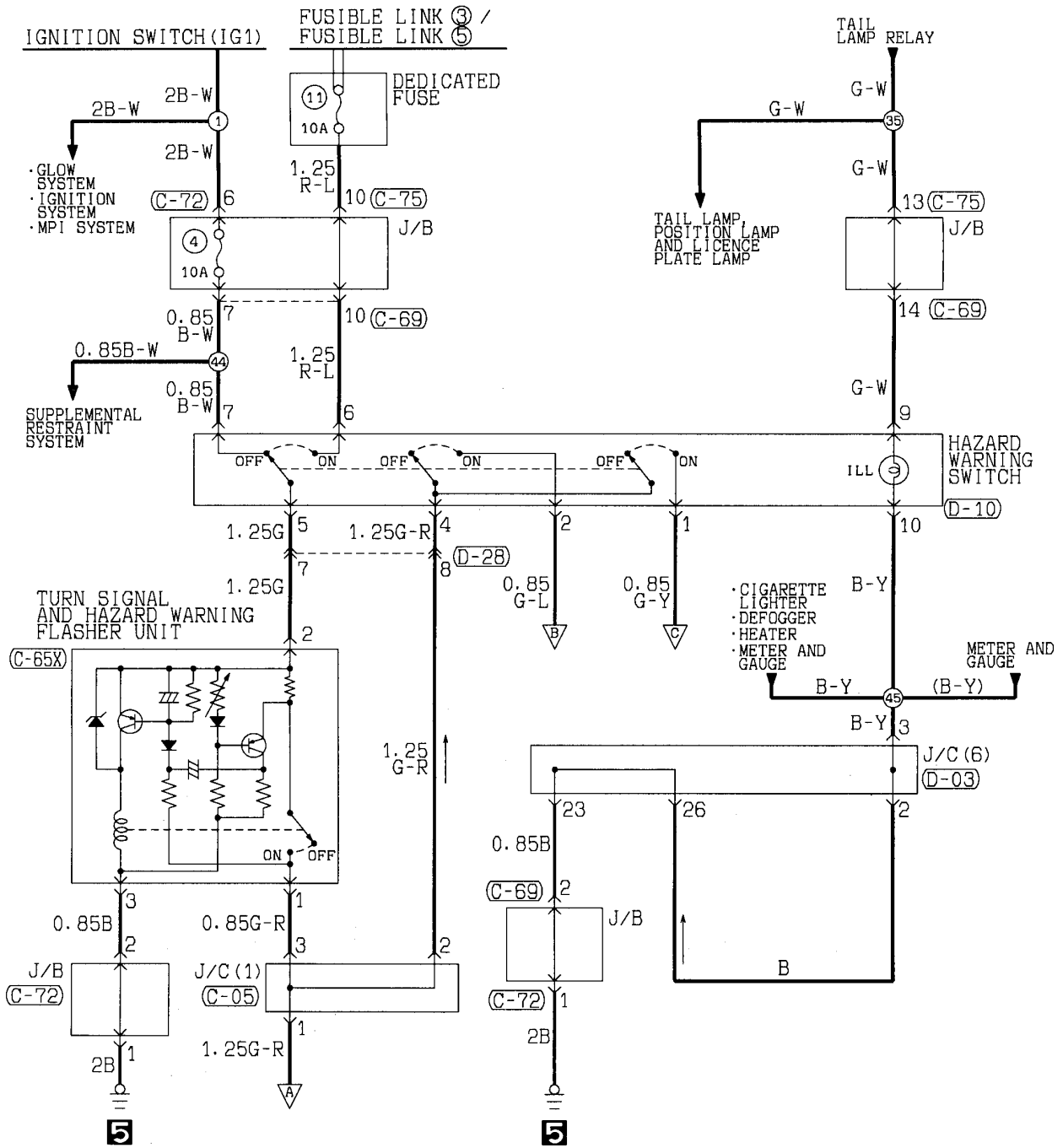
1	2	3	4
---	---	---	---



TURN-SIGNAL LAMP AND HAZARD WARNING LAMP

120002375

R.H. drive vehicles



(C-05)

1	2	3	4	5	6	7	8	9	10	11
12	13	14	15	16	17	18	19	20	21	22
23	24	25	26	27	28	29	30	31	32	33

(C-65X)

1
2

(C-69)

1	2	3	4	5	M	6	7	8	9	10	
11	12	13	14	15	16	17	18	19	20	21	22

(C-72)

1	2	3	4		
5	6	7	8	9	10

(C-75)

1	2	3	4	M	5	6	7	8	
9	10	11	12	13	14	15	16	17	18

(D-03)

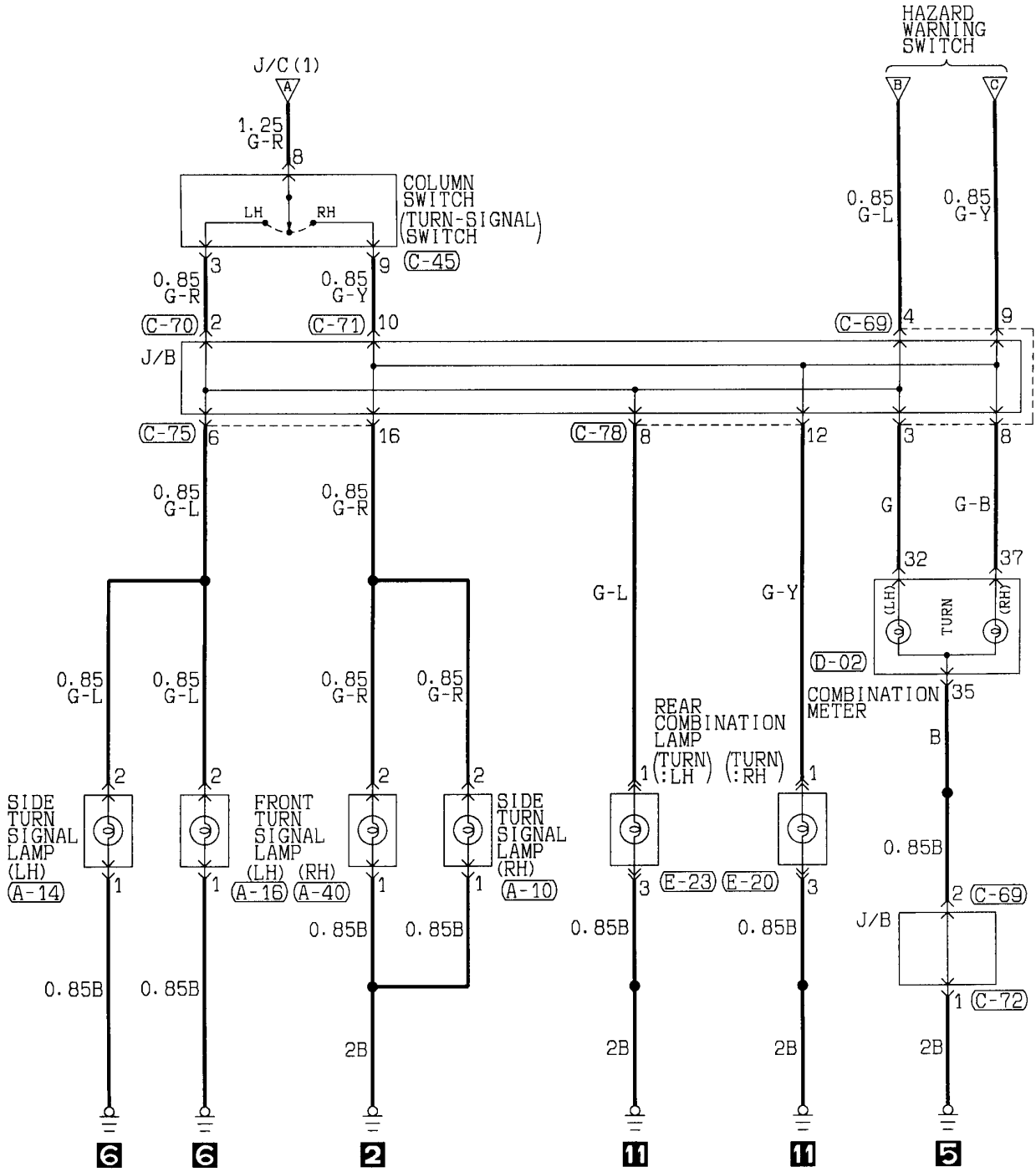
1	2	3	4	5	6	7	8	9	10	11
12	13	14	15	16	17	18	19	20	21	22
23	24	25	26	27	28	29	30	31	32	33

(D-10)

1	2	3	4		
5	6	7	8	9	10

(D-28)

1	2	3	4	5	M	6	7	8	9	10	
11	12	13	14	15	16	17	18	19	20	21	22



(A-10)	(A-14)	(A-16)	(A-40)	(C-45)	(C-69)	(C-70)	(C-71)
(C-72)	(C-75)	(C-78)	(D-02)	(E-20)	(E-23)		

**TURN-SIGNAL LAMP AND HAZARD WARNING LAMP (See P. 4-104, 106.)**

120002376

**OPERATION****<Turn-signal lamp>****1. In standard operating condition**

- When the ignition switch is placed in the ON position, battery voltage is applied through the hazard warning switch to the turn-signal and hazard warning flasher unit.
- When the turn signal switch is turned to the "LH" or "RH" position, the relay contact turns "ON" and "OFF" repeatedly due to the switching operation of the capacitor and transistor inside the flasher unit, and the turn signal lamp and the "LH" and "RH" of the turn signal indicator lamp flash.

**2. When one bulb is burnt**

- When either one of the turn signal lamp is burnt, the resistance of the entire lamp circuit increases, so that the time required for charging and discharging of the capacitor is shortened, causing the "ON" "OFF" cycle of the relay to become faster than standard and the number of flashes to increase.

**<Hazard warning lamp>**

- When the hazard warning switch is turned to the "ON" position, current flows via dedicated fuse No. (11) to the flasher unit, the flasher unit relay contacts repeatedly close and open, which results in the RH and LH turn-signal lamps, turn-signal indicator lamps, and hazard warning indicator lamps flashing on and off at the same time.

**Remark**

- The number of times the hazard warning lamps flash on and off does not change even when one bulb is out.

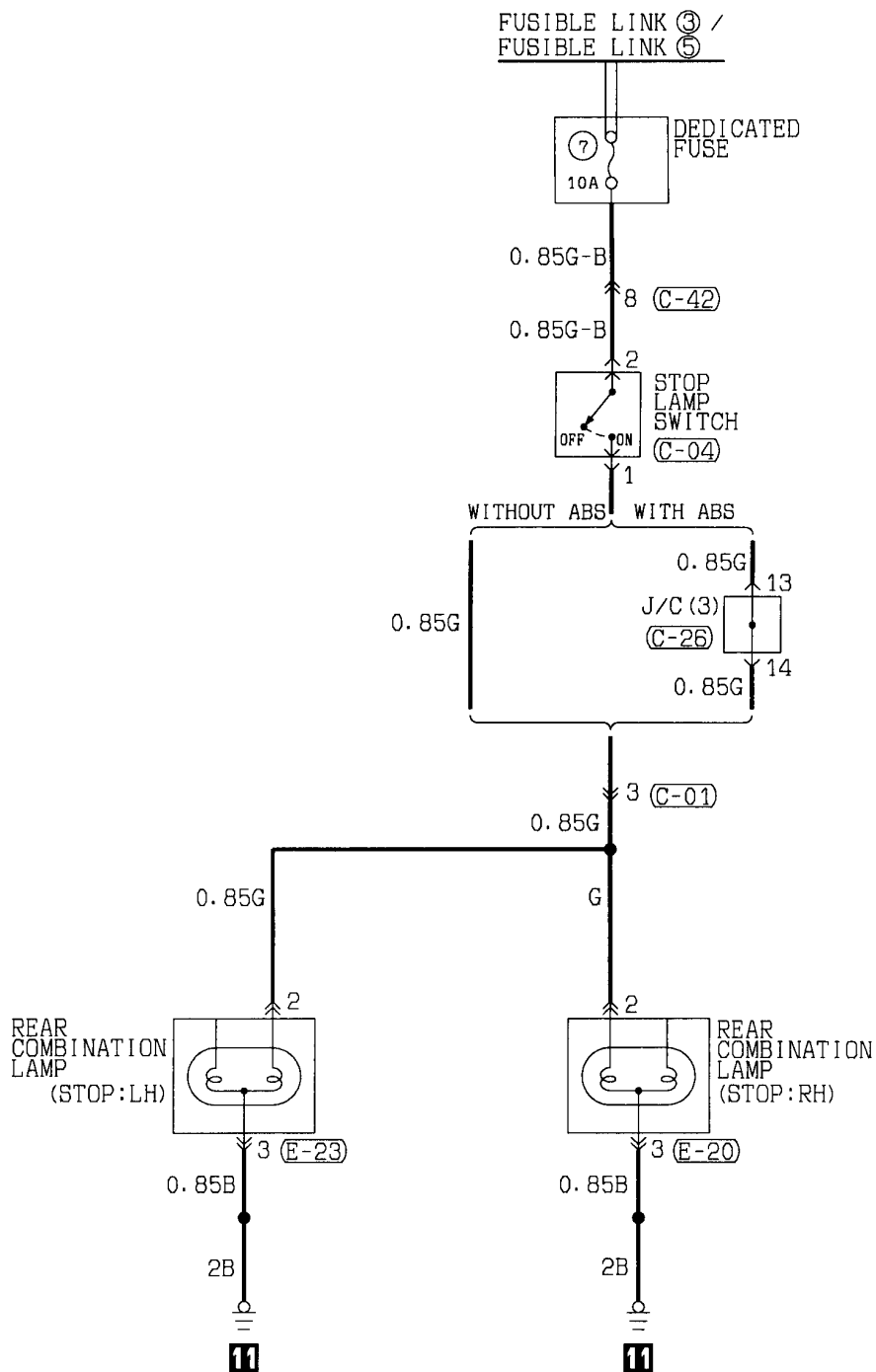
**TROUBLESHOOTING HINTS**

1. Neither the turn-signal lamp nor hazard warning lamps operate.
  - Check hazard warning switch contacts (on power source end).
  - Check flasher unit.
2. All LH or RH turn-signal lamps do not operate.
  - (1) Hazard warning lamp is fully operational.
    - Check turn-signal switch.
3. Flashing cycle of turn signal lamps is shorter.
  - Check the lamp bulb.
  - Check flasher unit.
4. Hazard warning lamp does not operate. Turn-signal lamps are operational.
  - Check dedicated fuse No. (11).
  - Check hazard warning switch contacts (on hazard lamp end).

STOP LAMP

120002377

L.H. drive vehicles



(C-01)

1	2	3	4	M	5	6	7	8	
9	10	11	12	13	14	15	16	17	18

(C-04)

1
2

(C-26)

1	2	3	4	5	6	7	8	9	10	11
12	13	14	15	16	17	18	19	20	21	22
23	24	25	26	27	28	29	30	31	32	33

(C-42)

1	2	3	4	5	M	6	7	8	9	10	
11	12	13	14	15	16	17	18	19	20	21	22

(E-20)

M			
1	2	3	4

(E-23)

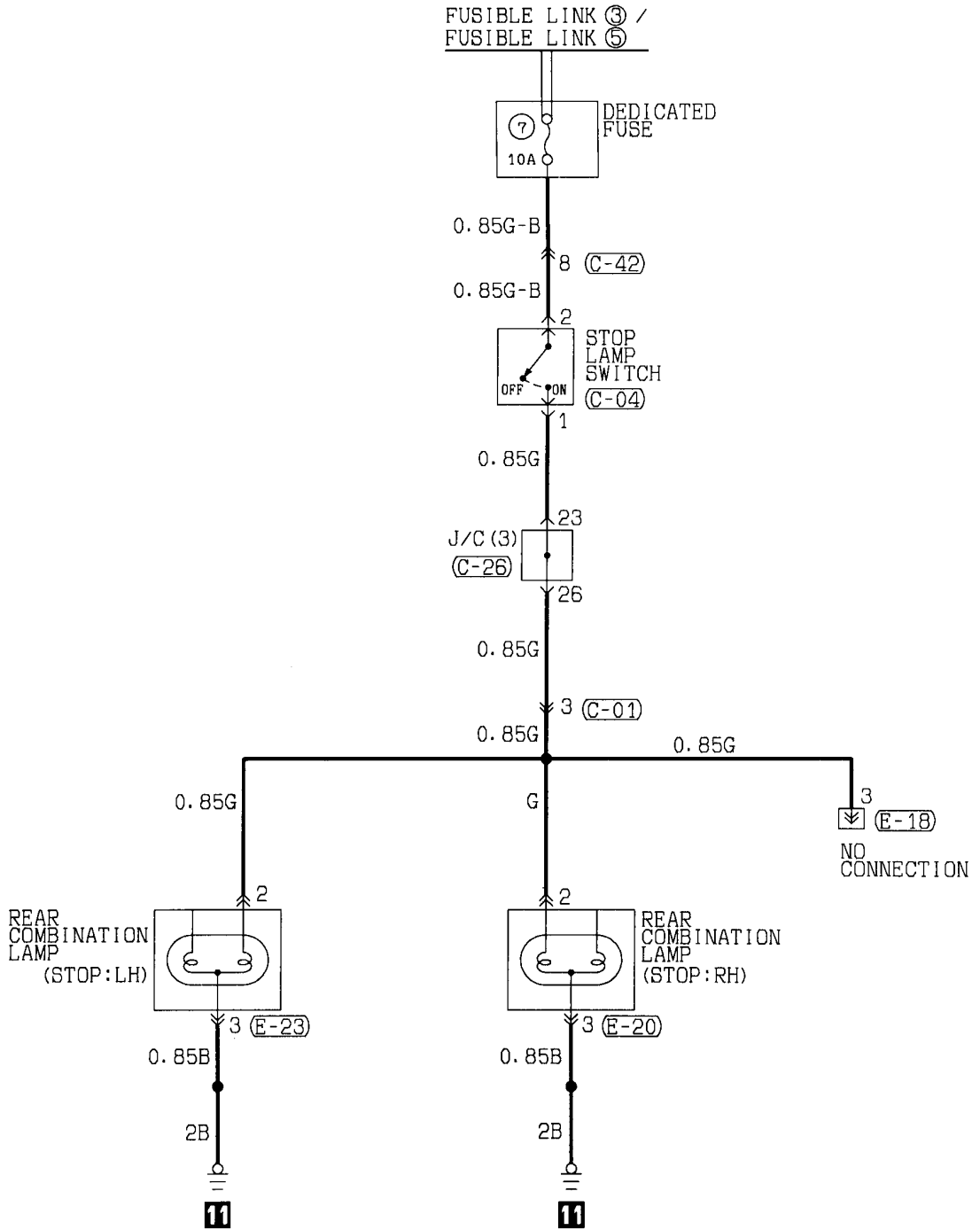
M			
1	2	3	4

Wire colour code  
 B:Black LG:Light green G:Green L:Blue W:White Y:Yellow SB:Sky blue  
 BR:Brown O:Orange GR:Gray R:Red P:Pink V:Violet

STOP LAMP

120002378

R.H. drive vehicles



C-01

1	2	3	4	5	6	7	8		
9	10	11	12	13	14	15	16	17	18

C-04

1
2

C-26

1	2	3	4	5	6	7	8	9	10	11
12	13	14	15	16	17	18	19	20	21	22
23	24	25	26	27	28	29	30	31	32	33

C-42

1	2	3	4	5	6	7	8	9	10		
11	12	13	14	15	16	17	18	19	20	21	22

E-18

1	2	3	4
---	---	---	---

E-23

1	2	3	4
---	---	---	---

E-23

1	2	3	4
---	---	---	---

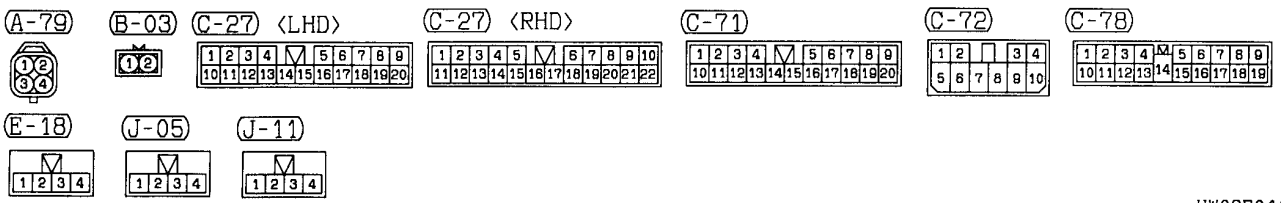
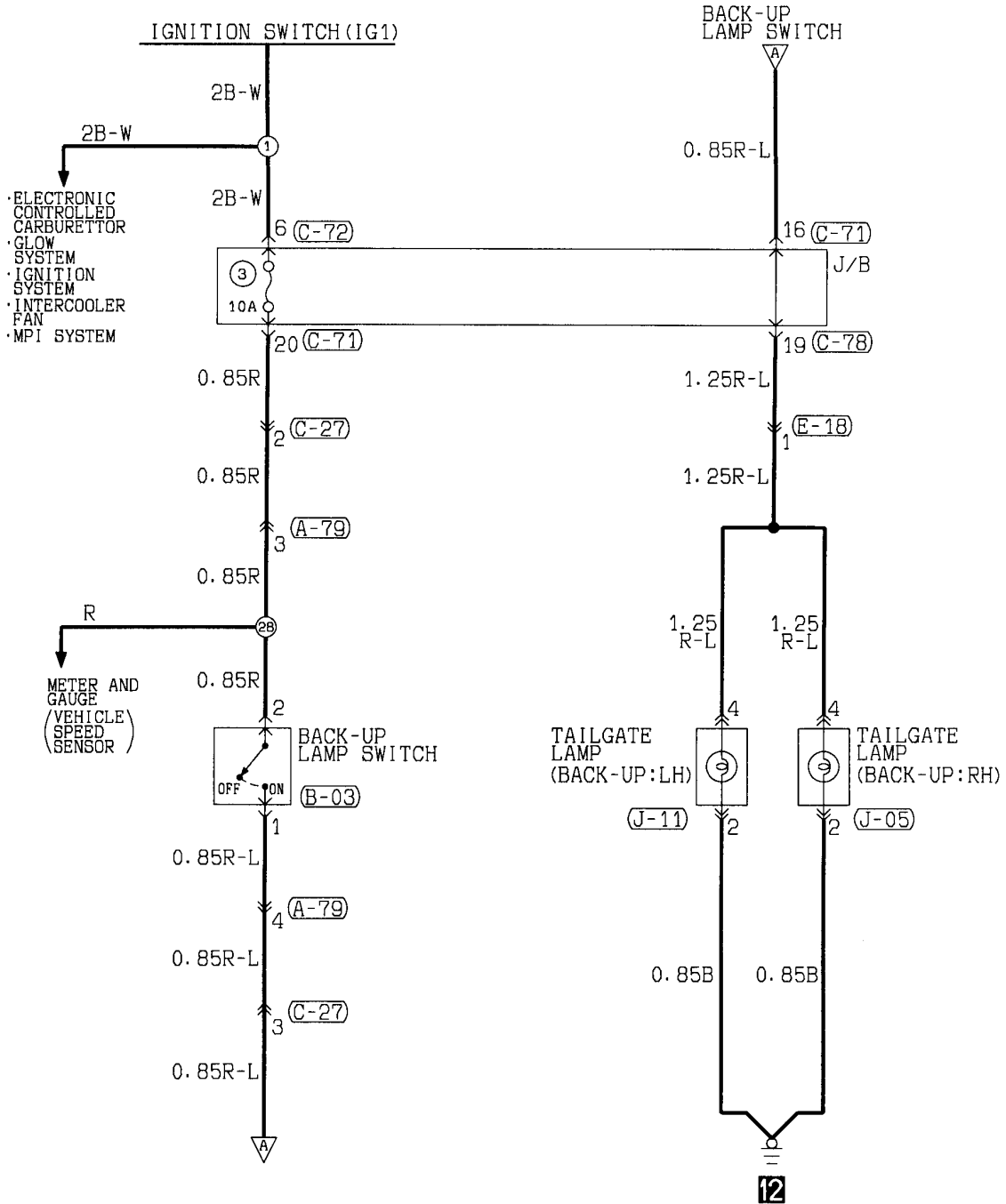
Wire colour code  
 B:Black LG:Light green G:Green L:Blue W:White Y:Yellow SB:Sky blue  
 BR:Brown O:Orange GR:Gray R:Red P:Pink V:Violet



BACK-UP LAMP

120002379

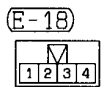
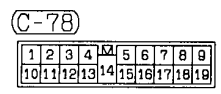
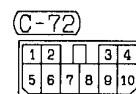
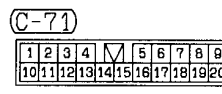
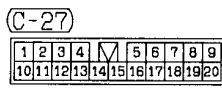
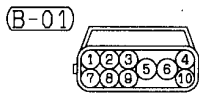
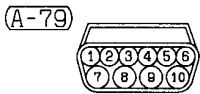
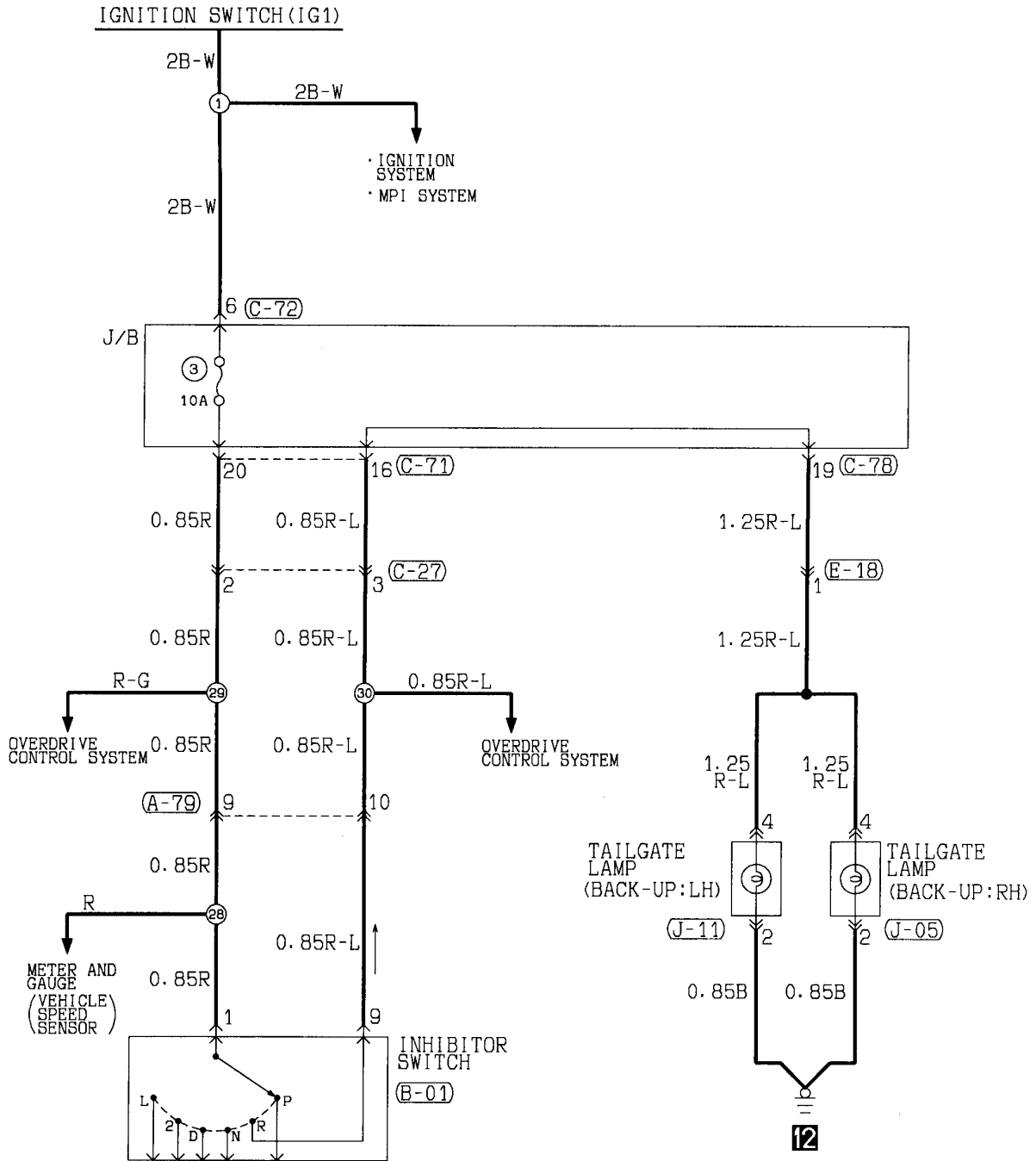
M/T



BACK-UP LAMP

120002380

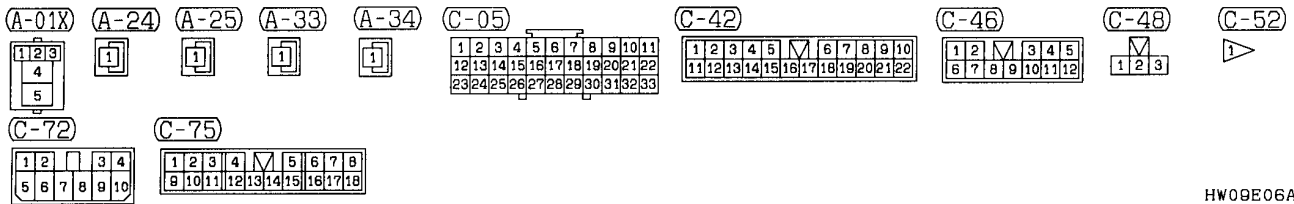
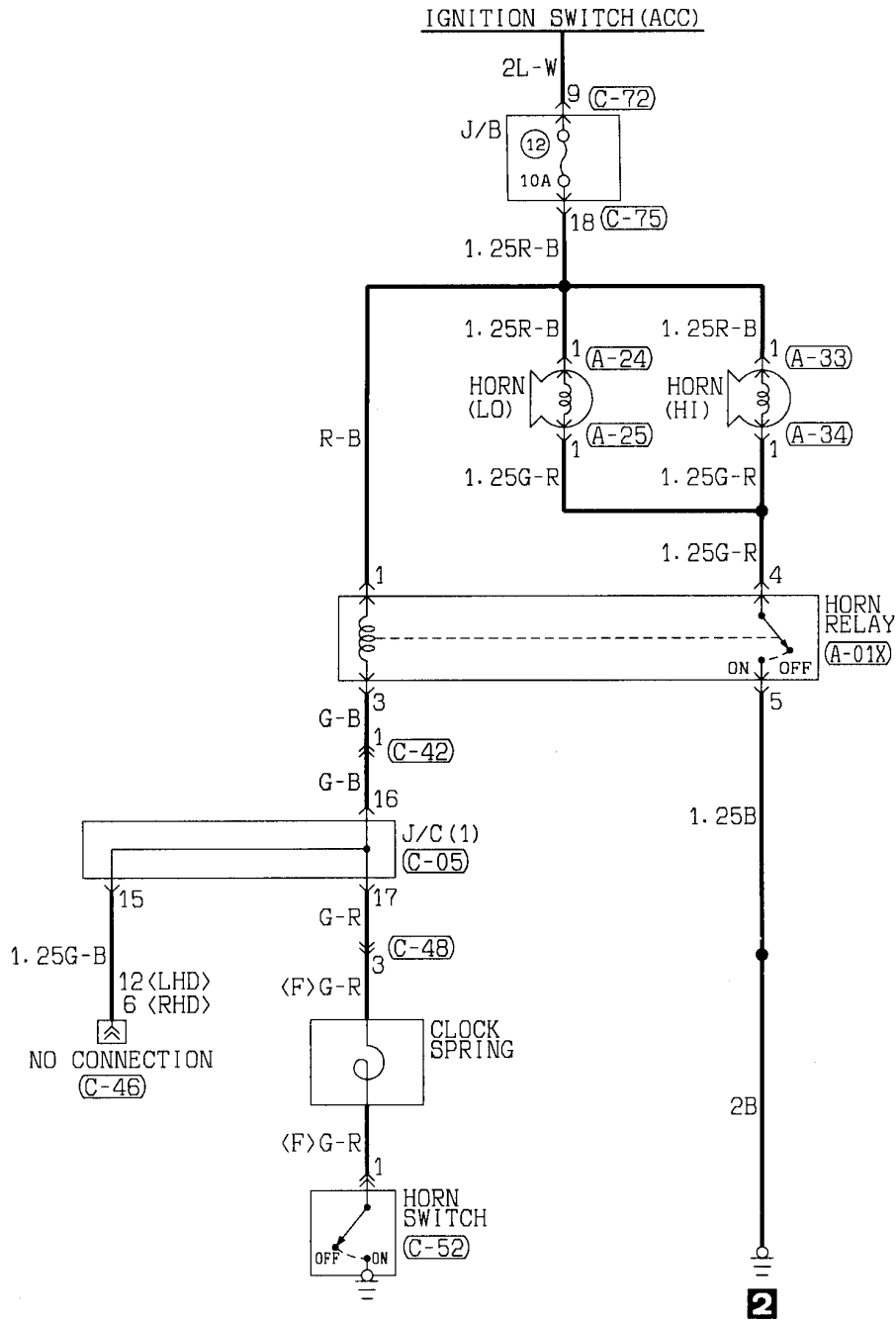
A/T



HORN

120002381

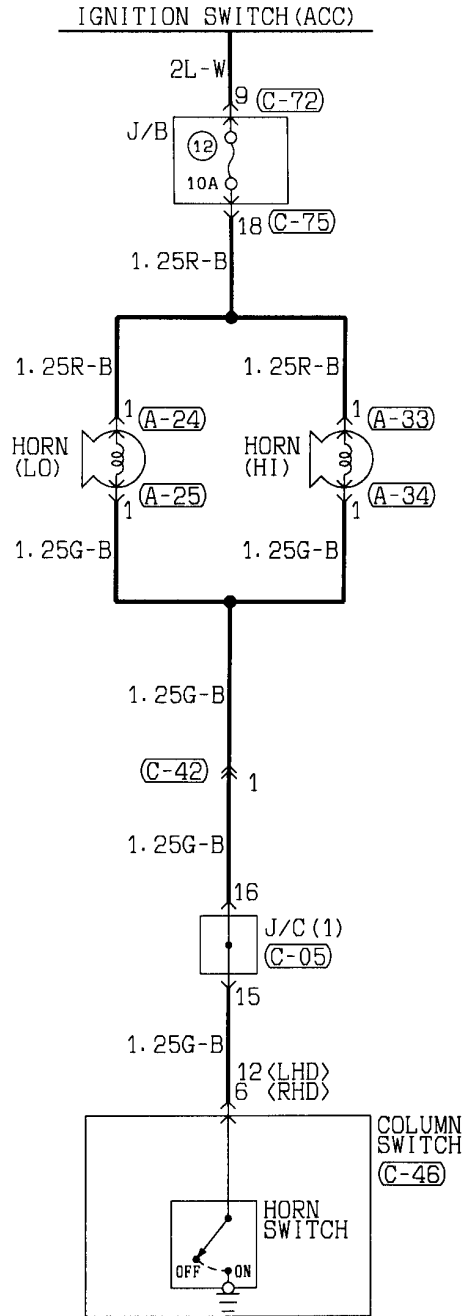
Vehicles with SRS



**HORN**

120002382

Vehicles without SRS



(A-24)

1
---

(A-25)

1
---

(A-33)

1
---

(A-34)

1
---

(C-05)

1	2	3	4	5	6	7	8	9	10	11
12	13	14	15	16	17	18	19	20	21	22
23	24	25	26	27	28	29	30	31	32	33

(C-42)

1	2	3	4	5	6	7	8	9	10		
11	12	13	14	15	16	17	18	19	20	21	22

(C-46)

1	2	3	4	5		
6	7	8	9	10	11	12

(C-72)

1	2	3	4		
5	6	7	8	9	10

(C-75)

1	2	3	4	5	6	7	8		
9	10	11	12	13	14	15	16	17	18

**METER AND GAUGE (See P. 4-116, 120.)**

120002383

**OPERATION****<Fuel gauge>**

- When the ignition switch is at the "ON" position, the fuel gauge is activated.
- When there is much fuel, the unit's resistance is small and the current flowing in the circuit is great, so the gauge's indicator indicates in the "F" area.
- When there is little fuel, the unit's resistance is high and the current flowing in the circuit is small, so the gauge's indicator indicates in the "E" area.

**<Engine coolant temperature gauge>**

- When the ignition switch is at the "ON" position, the engine coolant temperature gauge is activated.
- When the engine coolant temperature is high, the unit's resistance is low and there is a great flow of current in the circuit, so the gauge's indicator indicates in the "H" area.
- When the engine coolant temperature is low, the unit's resistance is high and there is a small flow of current in the circuit, so the gauge's indicator indicates in the "C" area.

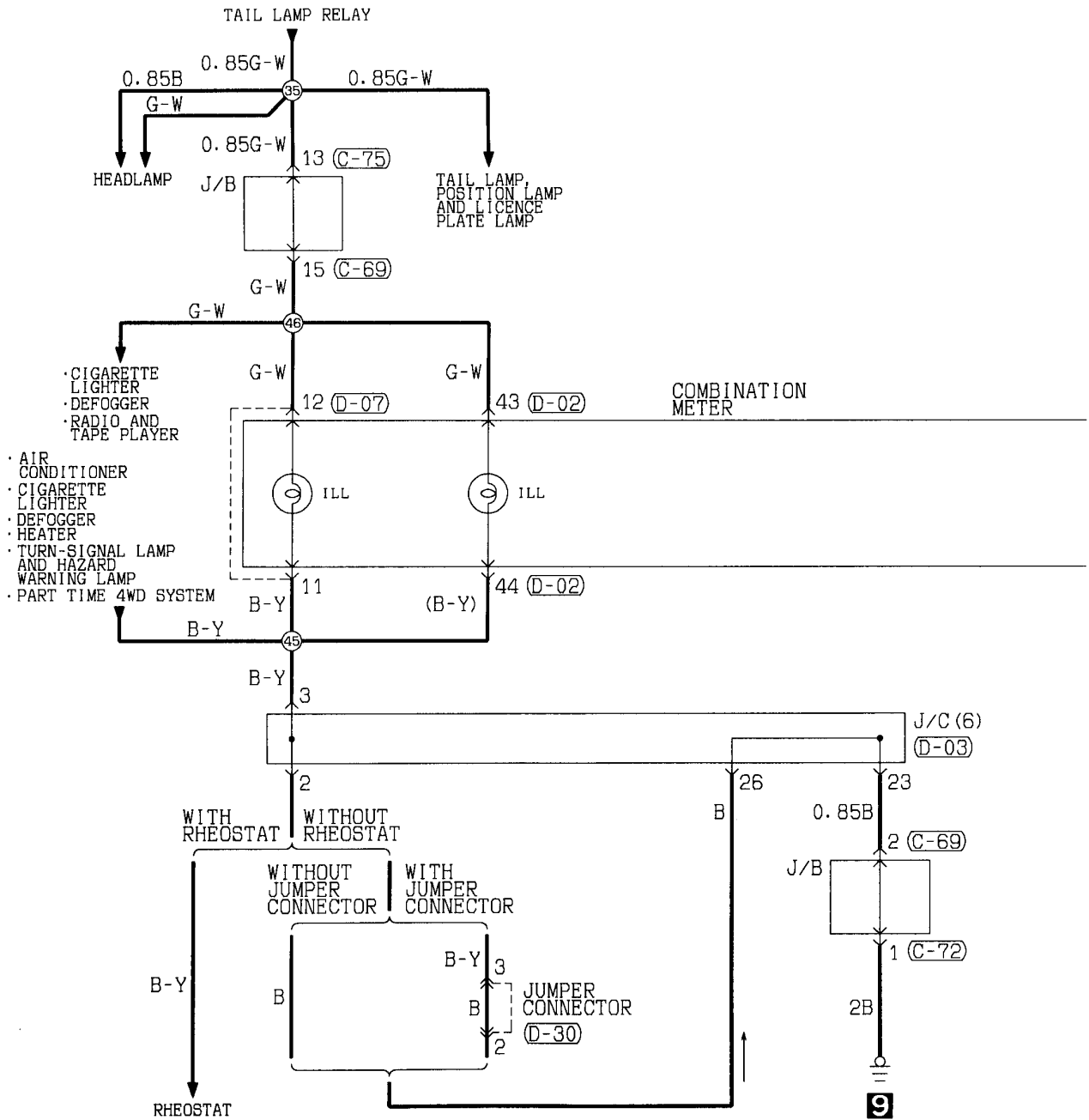
**TROUBLESHOOTING HINTS**

1. Fuel gauge does not operate, or registers incorrectly.
  - (1) The fuel gauge indicates "F" when the fuel gauge unit connector is disconnected and the "2" terminal is earthed.
    - Check fuel gauge.
2. Engine coolant temperature gauge does not operate, or registers incorrectly.
  - (1) When the engine coolant temperature gauge is earthed with its connector unplugged, it registers "H".
    - Check engine coolant temperature gauge unit.
3. Meter illumination lamp does not illuminate.
  - (1) Tail lamps illuminate.
    - Check rheostat.

METER AND GAUGE

120002384

L.H. drive vehicles



(C-69)

1	2	3	4	5	6	7	8	9	10
11	12	13	14	15	16	17	18	19	20
21	22								

(C-72)

1	2	3	4
5	6	7	8
9	10		

(C-75)

1	2	3	4	5	6	7	8
9	10	11	12	13	14	15	16
17	18						

(D-02)

31	32	33	34	35	36	37	38	39	40	41	42	43	44

(D-03)

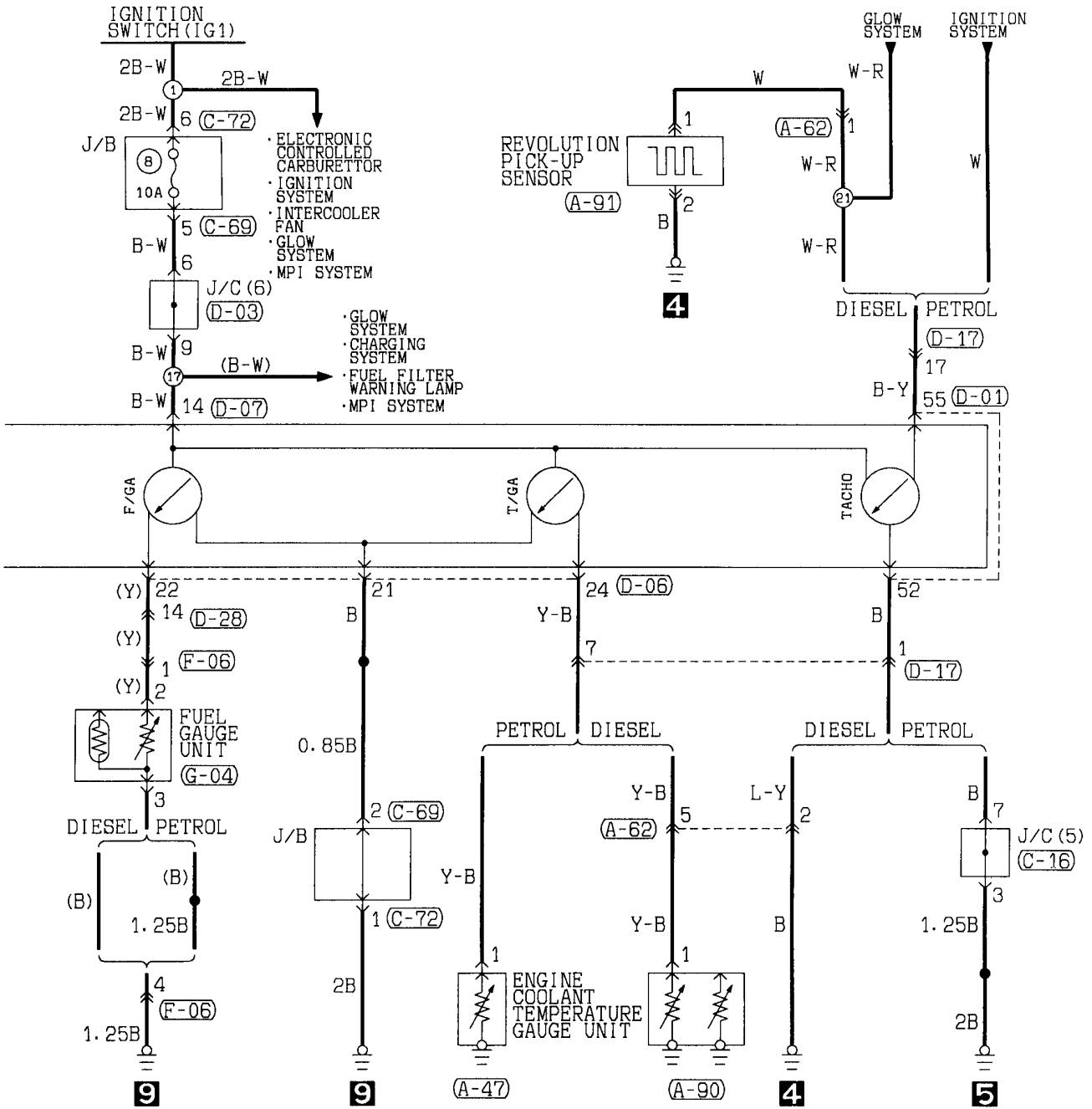
1	2	3	4	5	6	7	8	9	10	11
12	13	14	15	16	17	18	19	20	21	22
23	24	25	26	27	28	29	30	31	32	33

(D-07)

1	2	3	4	5	6	7	8	9	10	11	12	13	14
---	---	---	---	---	---	---	---	---	----	----	----	----	----

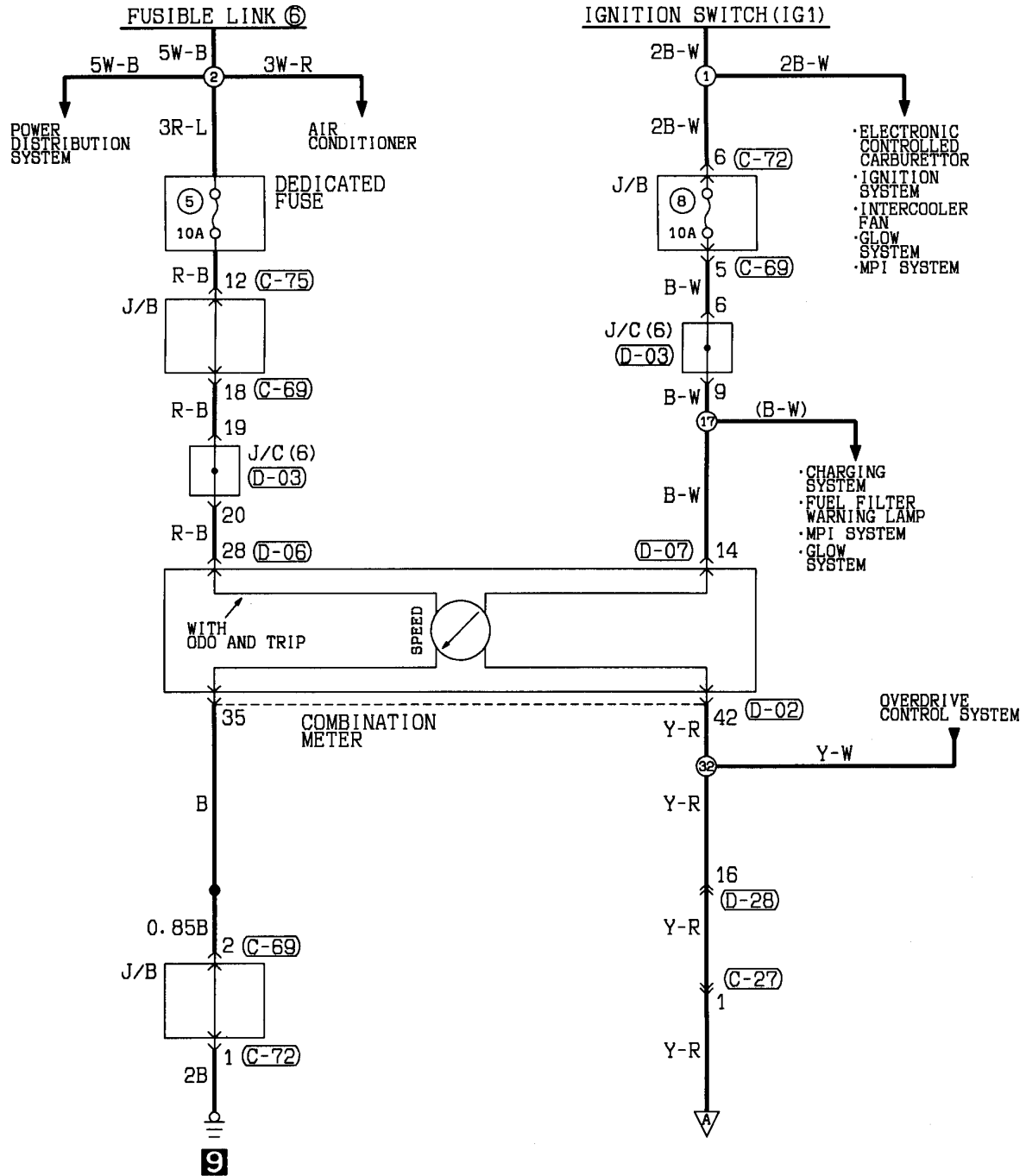
(D-30)

1	2	3	4
---	---	---	---



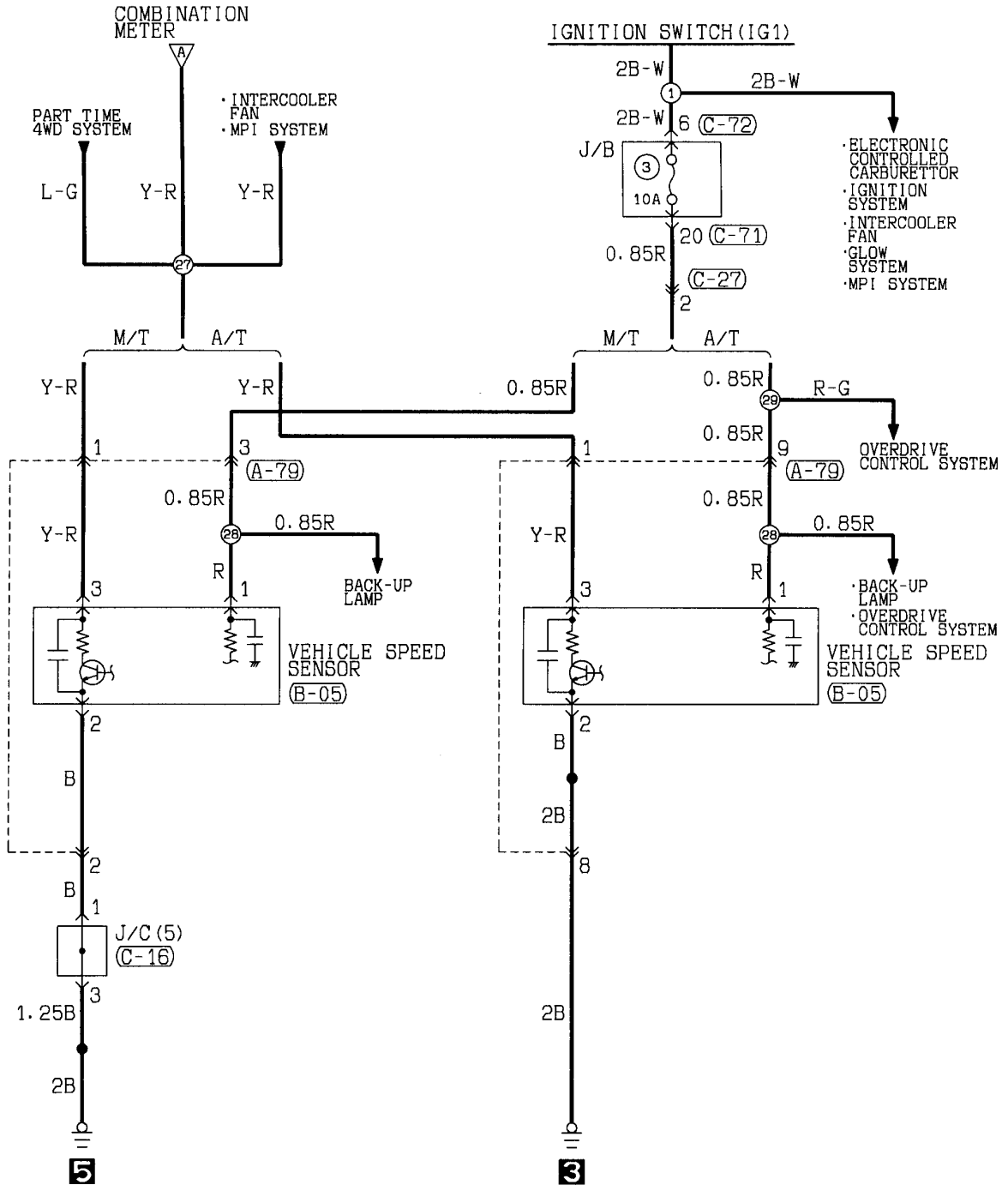
<b>A-47</b> 1	<b>A-62</b> 1 2 3 4 5 6	<b>A-90</b> 1	<b>A-91</b> 1 2	<b>C-16</b> 1 2 3 4 5 6 7 8 9 10 11 12 13 14 15 16 17 18 19 20 21 22 23 24 25 26 27 28 29 30 31 32 33	<b>C-69</b> 1 2 3 4 5 6 7 8 9 10	<b>C-72</b> 1 2 3 4	<b>D-01</b> 5 1 5 2 5 3 5 4 5 5 5 6 5 7 5 8 5 9 6 0 6 1 6 2
<b>D-03</b> 1 2 3 4 5 6 7 8 9 10 11 12 13 14 15 16 17 18 19 20 21 22 23 24 25 26 27 28 29 30 31 32 33	<b>D-06</b> 2 1 2 2 2 3 2 4 2 5 2 6 2 7 2 8 2 9 2 0 2 1 2 2	<b>D-07</b> 1 2 3 4 5 6 7 8 9 10 11 12 13 14	<b>D-17</b> 1 2 3 4 5 6 7 8	<b>D-28</b> 1 2 3 4 5 6 7 8 9 10 11 12 13 14 15 16 17 18 19 20 21 22	<b>F-06</b> 1 2 3 4 5 6 7 8	<b>G-04</b> 1 2 3 4 5 6	

METER AND GAUGE <L.H. drive vehicles> (CONTINUED)



<b>C-27</b> 1 2 3 4 5 6 7 8 9 10 11 12 13 14 15 16 17 18 19 20	<b>C-69</b> 1 2 3 4 5 6 7 8 9 10 11 12 13 14 15 16 17 18 19 20 21 22	<b>C-72</b> 1 2 3 4 5 6 7 8 9 10	<b>C-75</b> 1 2 3 4 5 6 7 8 9 10 11 12 13 14 15 16 17 18	<b>D-02</b> 31 32 33 34 35 36 37 38 39 40 41 42 43 44
<b>D-03</b> 1 2 3 4 5 6 7 8 9 10 11 12 13 14 15 16 17 18 19 20 21 22 23 24 25 26 27 28 29 30 31 32 33	<b>D-06</b> 21 22 23 24 25 26 27 28 29 30	<b>D-07</b> 1 2 3 4 5 6 7 8 9 10 11 12 13 14	<b>D-28</b> 1 2 3 4 5 6 7 8 9 10 11 12 13 14 15 16 17 18 19 20 21 22	





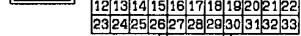
(A-79)

<M/T> <A/T>

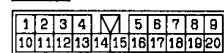


(B-05)

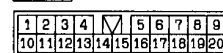
(C-16)



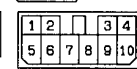
(C-27)



(C-71)

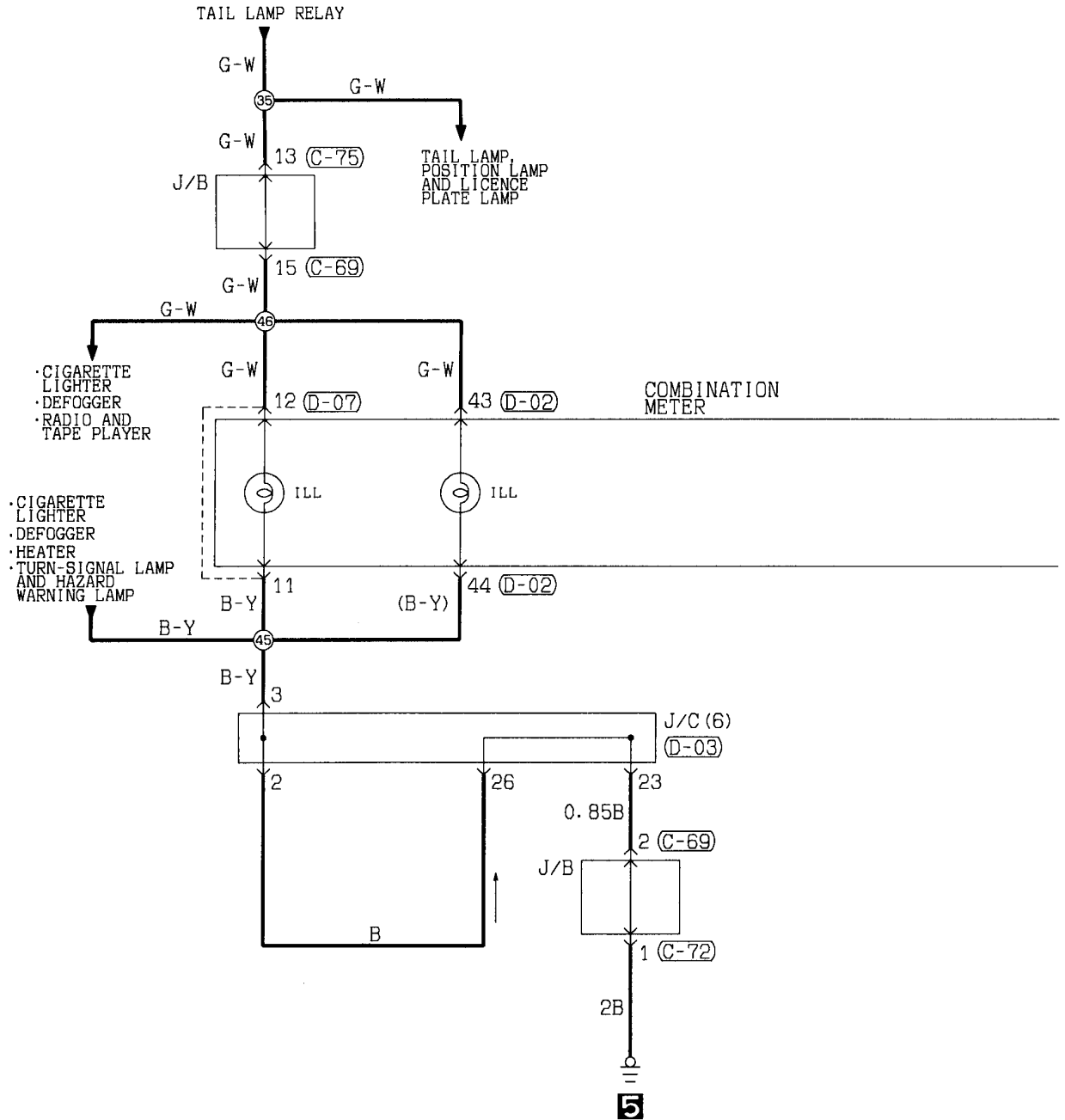


(C-72)



METER AND GAUGE

R.H. drive vehicles



C-69

1	2	3	4	5	6	7	8	9	10		
11	12	13	14	15	16	17	18	19	20	21	22

C-72

1	2	3	4		
5	6	7	8	9	10

C-75

1	2	3	4	5	6	7	8		
9	10	11	12	13	14	15	16	17	18

D-02

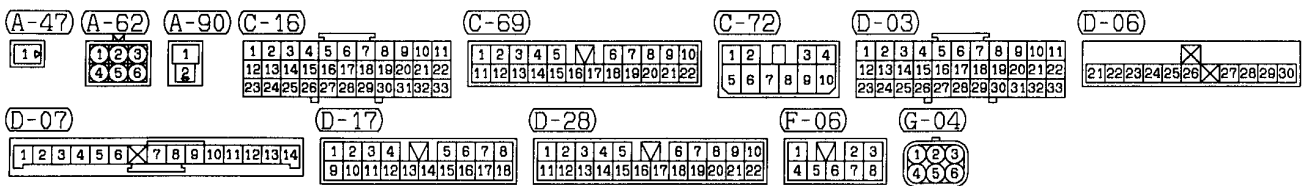
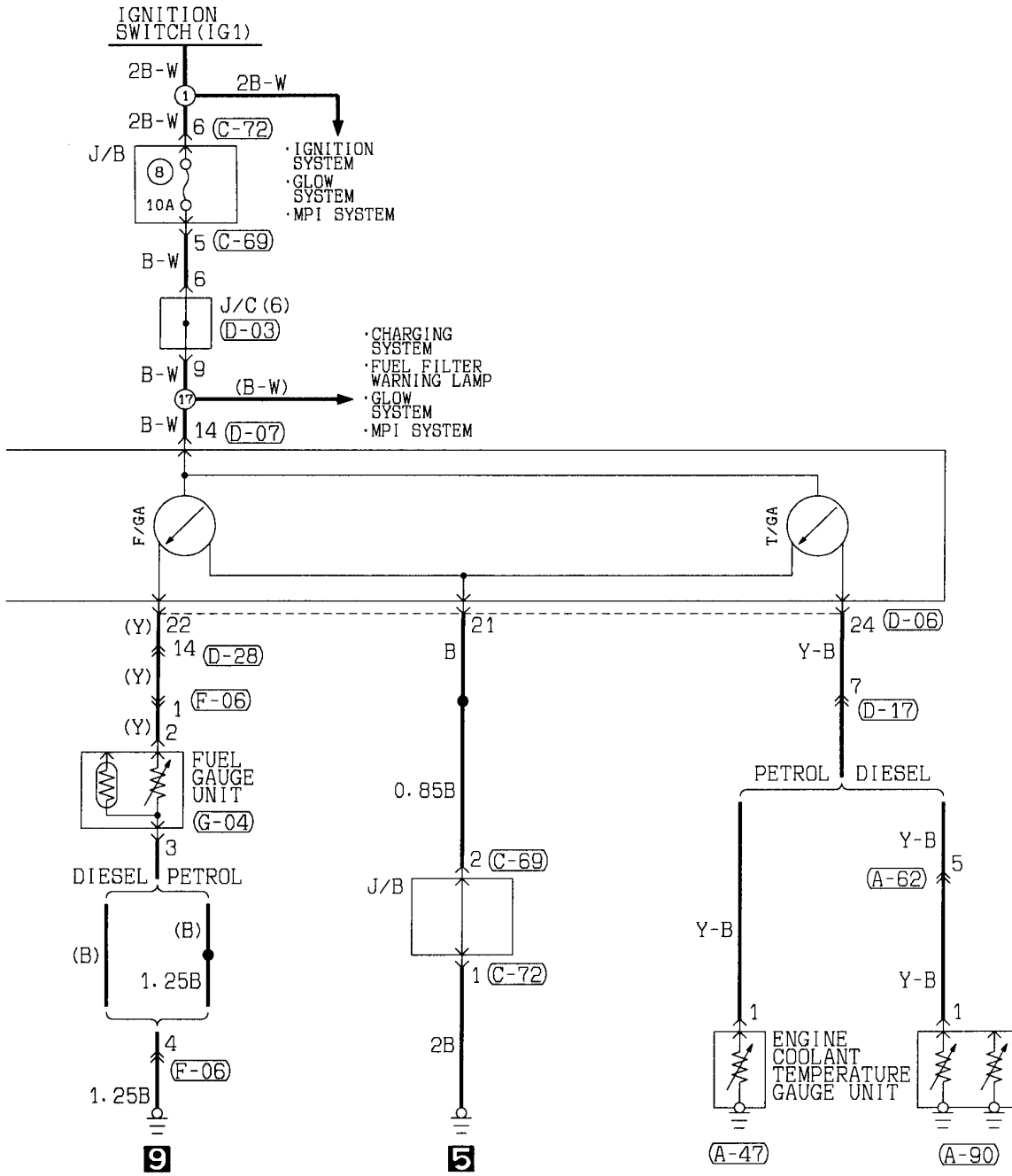
31	32	33	34	35	36	37	38	39	40	41	42	43	44
----	----	----	----	----	----	----	----	----	----	----	----	----	----

D-03

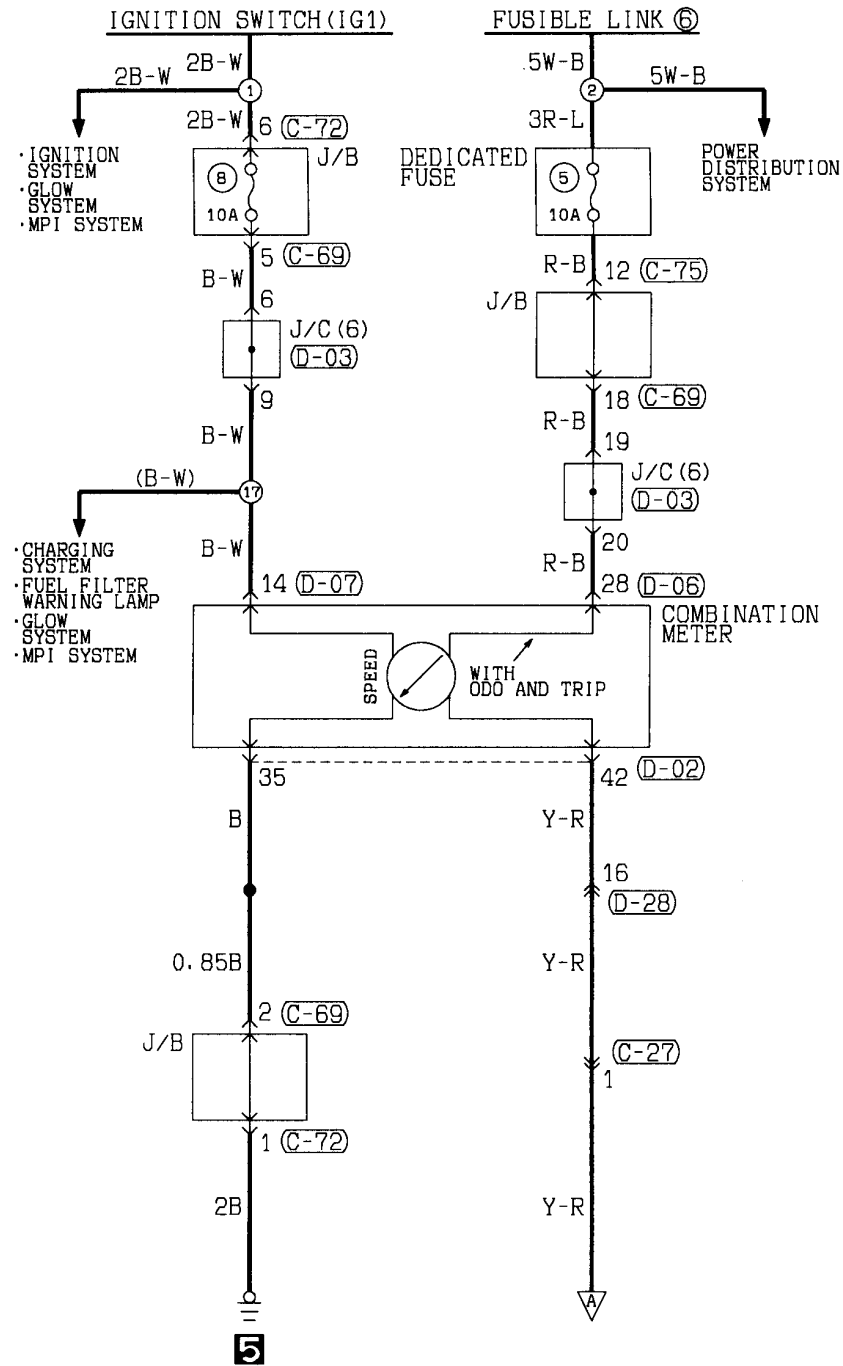
1	2	3	4	5	6	7	8	9	10	11
12	13	14	15	16	17	18	19	20	21	22
23	24	25	26	27	28	29	30	31	32	33

D-07

1	2	3	4	5	6	7	8	9	10	11	12	13	14
---	---	---	---	---	---	---	---	---	----	----	----	----	----



METER AND GAUGE <R.H. drive vehicles> (CONTINUED)



(C-27)

1	2	3	4	5	6	7	8	9	10
11	12	13	14	15	16	17	18	19	20
21	22								

(C-69)

1	2	3	4	5	6	7	8	9	10
11	12	13	14	15	16	17	18	19	20
21	22								

(C-72)

1	2	3	4
5	6	7	8
9	10		

(C-75)

1	2	3	4	5	6	7	8
9	10	11	12	13	14	15	16
17	18						

(D-02)

31	32	33	34	35	36	37	38
39	40	41	42	43	44		

(D-03)

1	2	3	4	5	6	7	8	9	10
11	12	13	14	15	16	17	18	19	20
21	22	23	24	25	26	27	28	29	30
31	32	33							

(D-06)

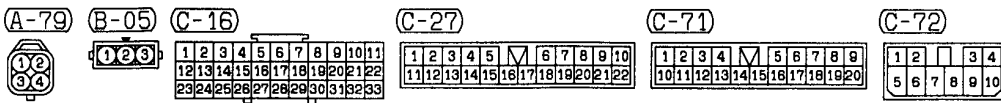
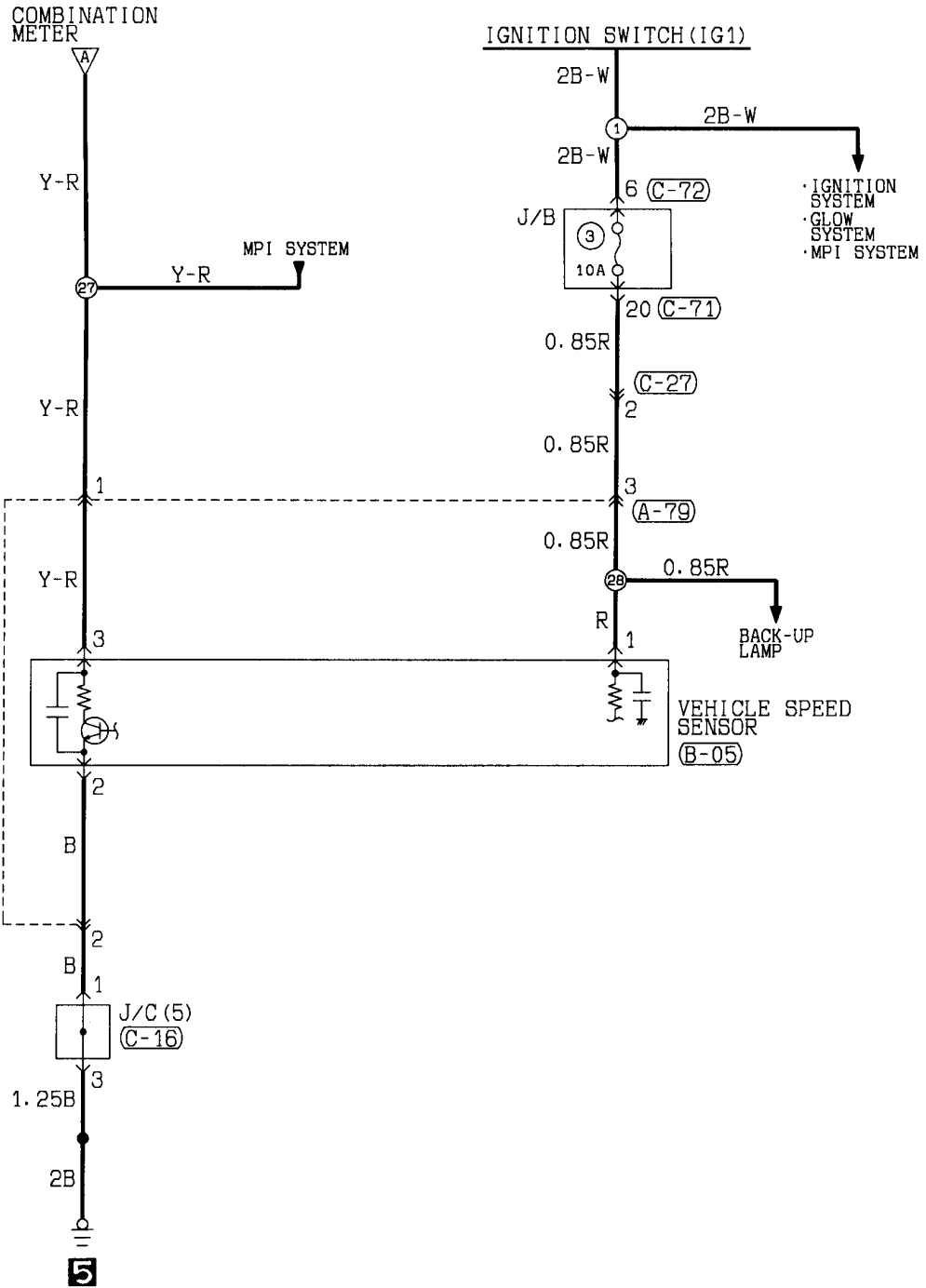
21	22	23	24	25	26	27	28	29	30
----	----	----	----	----	----	----	----	----	----

(D-07)

1	2	3	4	5	6	7	8	9	10
11	12	13	14						

(D-28)

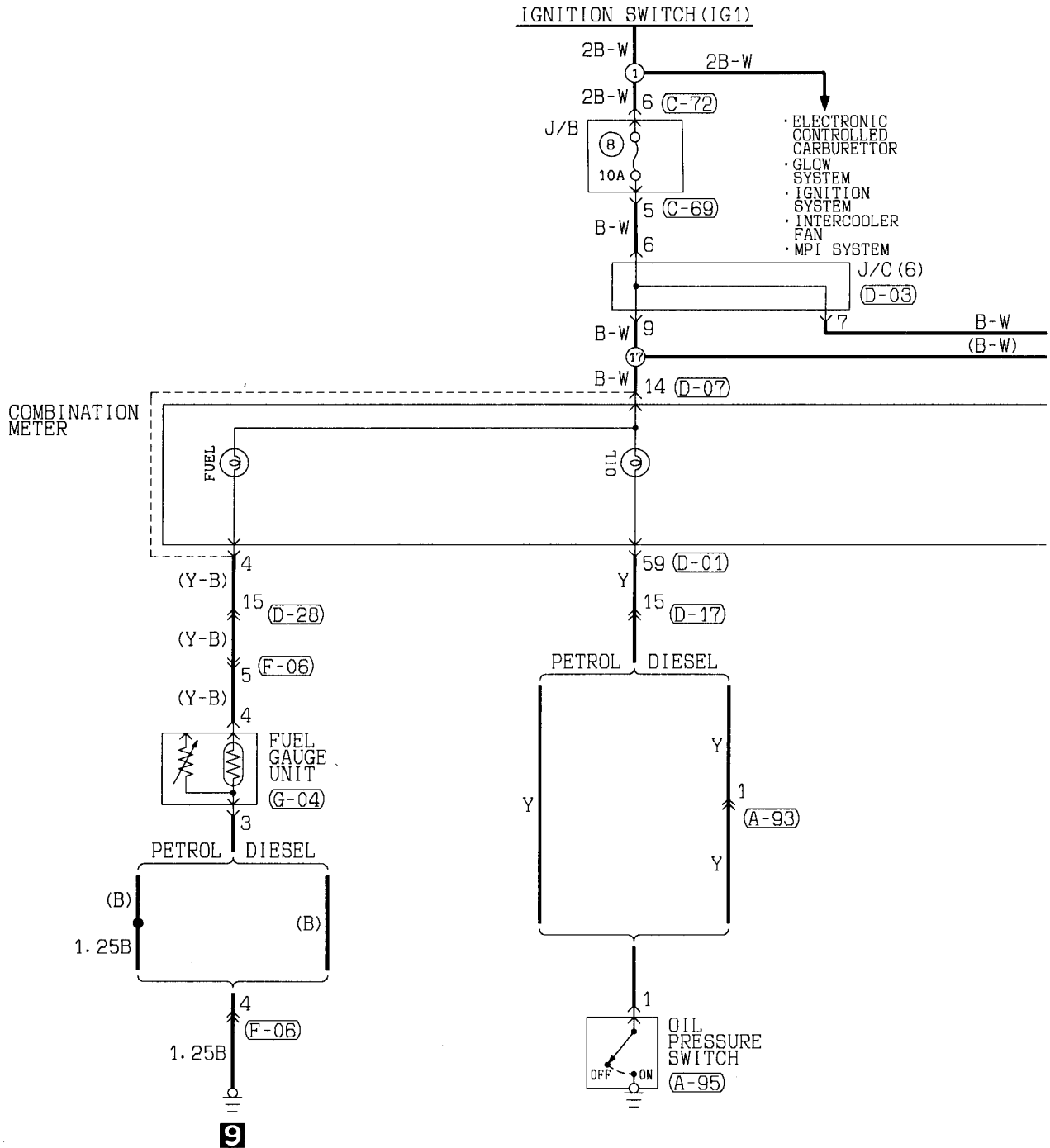
1	2	3	4	5	6	7	8	9	10
11	12	13	14	15	16	17	18	19	20
21	22								



Wire colour code  
 B:Black LG:Light green G:Green L:Blue W:White Y:Yellow SB:Sky blue  
 BR:Brown O:Orange GR:Gray R:Red P:Pink V:Violet

**FUEL WARNING LAMP**  
**OIL PRESSURE WARNING LAMP**  
 L.H. drive vehicles

120002386



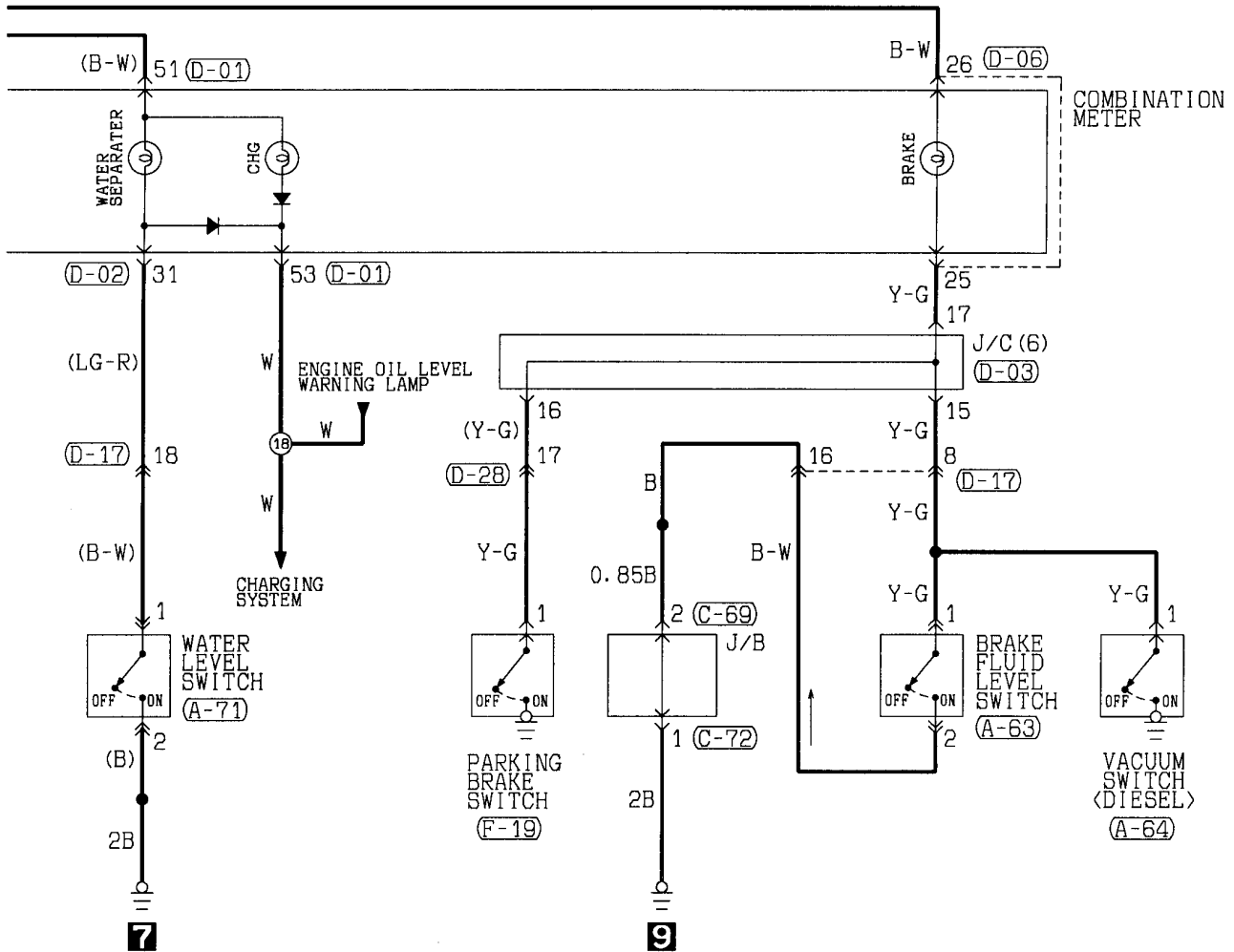
<b>(A-93)</b> 1	<b>(A-95)</b> 1	<b>(C-69)</b> 1 2 3 4 5 6 7 8 9 10 11 12 13 14 15 16 17 18 19 20 21 22	<b>(C-72)</b> 1 2 3 4 5 6 7 8 9 10	<b>(D-01)</b> 5 1 5 2 5 3 5 4 5 5 5 6 5 7 5 8 5 9 6 0 6 1 6 2	<b>(D-03)</b> 1 2 3 4 5 6 7 8 9 10 11 12 13 14 15 16 17 18 19 20 21 22 23 24 25 26 27 28 29 30 31 32 33
<b>(D-07)</b> 1 2 3 4 5 6 7 8 9 10 11 12 13 14	<b>(D-17)</b> 1 2 3 4 5 6 7 8 9 10 11 12 13 14 15 16 17 18	<b>(D-28)</b> 1 2 3 4 5 6 7 8 9 10 11 12 13 14 15 16 17 18 19 20 21 22	<b>(F-06)</b> 1 2 3 4 5 6 7 8	<b>(G-04)</b> 1 2 3 4 5 6	

# FUEL FILTER WARNING LAMP

L.H. drive vehicles <4D56>

# BRAKE WARNING LAMP

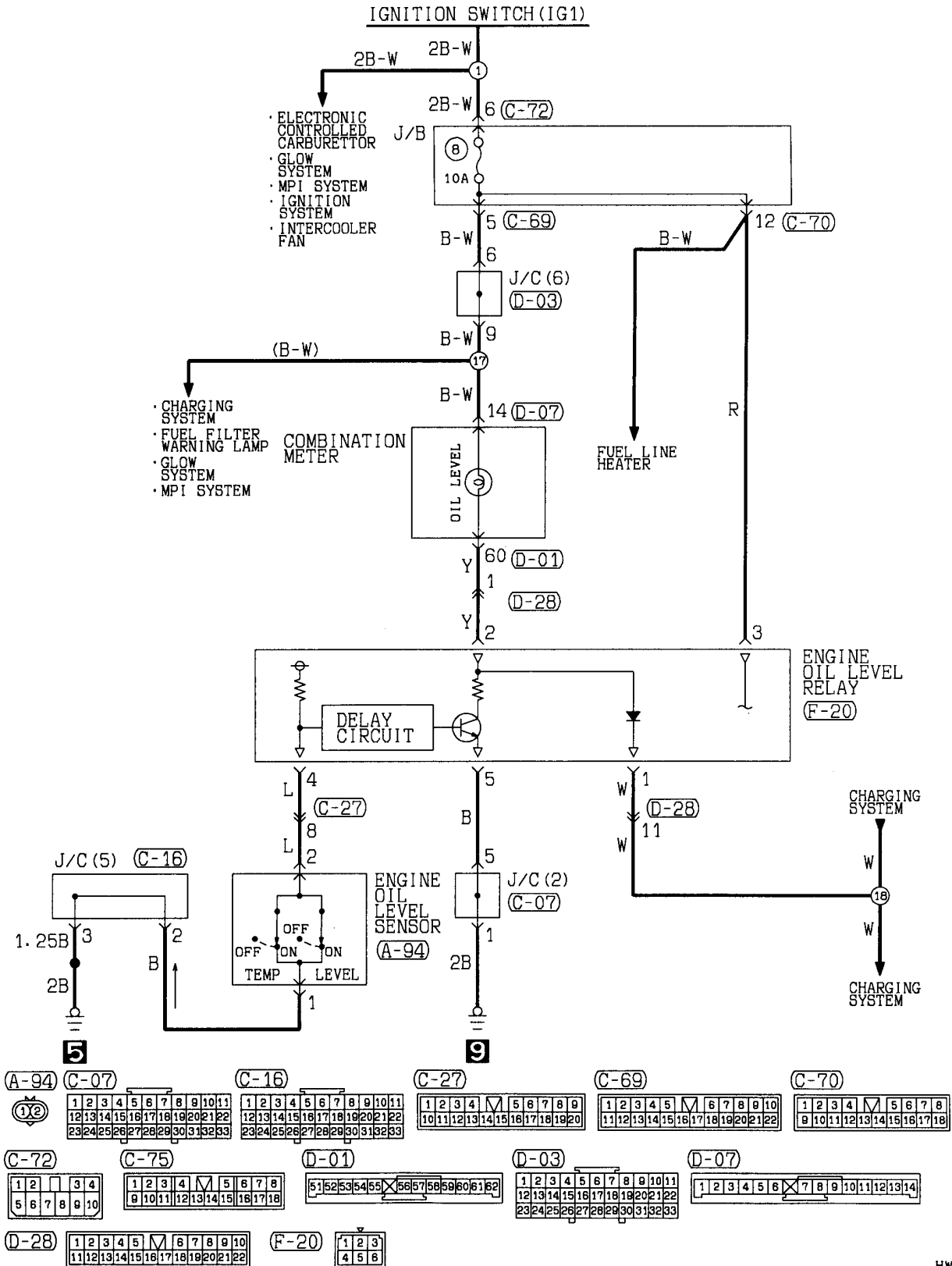
L.H. drive vehicles



<b>A-63</b> 1 2	<b>A-64</b> 1	<b>A-71</b> 02	<b>C-69</b> 1 2 3 4 5 6 7 8 9 10 11 12 13 14 15 16 17 18 19 20 21 22	<b>C-72</b> 1 2 3 4 5 6 7 8 9 10	<b>D-01</b> 51 52 53 54 55 56 57 58 59 60 61 62	<b>D-02</b> 31 32 33 34 35 36 37 38 39 40 41 42 43 44
<b>D-03</b> 1 2 3 4 5 6 7 8 9 10 11 12 13 14 15 16 17 18 19 20 21 22 23 24 25 26 27 28 29 30 31 32 33	<b>D-06</b> 21 22 23 24 25 26 27 28 29 30	<b>D-17</b> 1 2 3 4 5 6 7 8 9 10 11 12 13 14 15 16 17 18	<b>D-28</b> 1 2 3 4 5 6 7 8 9 10 11 12 13 14 15 16 17 18 19 20 21 22	<b>F-19</b> 1		

# ENGINE OIL LEVEL WARNING LAMP

L.H. drive vehicles





**FUEL WARNING LAMP (See P. 4-124, 128.)**

**OIL PRESSURE WARNING LAMP (See P. 4-124, 128.)**

**FUEL FILTER WARNING LAMP (See P. 4-125, 129.)**

**BRAKE WARNING LAMP (See P. 4-125, 129.)**

**ENGINE OIL LEVEL WARNING LAMP (See P. 4-126, 130.)**

#### **OPERATION**

##### **<Fuel warning lamp>**

- When the fuel level goes down causing the level sensor to be exposed, with the ignition switch in the ON position, the resistance of level sensor becomes small. When this resistance goes down below the predetermined level, the fuel warning lamp illuminates to warn the driver that the amount of fuel still available for use is small.

##### **<Oil pressure warning lamp>**

- When the lubrication system fails after engine starting, resulting in the oil pressure failing to build up, the oil pressure switch turns on causing the oil pressure warning lamp to illuminate.

##### **<Fuel filter warning lamp> (4D56)**

- When the ignition switch is turned to the ON position (with the engine stopped), the fuel filter warning lamp illuminates and the lamp switches off when the engine is started. This feature can be used to check for a failure of the lamp's bulb.
- When condensate has accumulated in the fuel filter, the water level switch turns on causing the fuel filter warning lamp to illuminate.

##### **<Brake warning lamp>**

- When the brake fluid level goes down below a predetermined level with the ignition switch in the ON position, the brake fluid level switch is activated or the parking brake switch is turned on, causing the brake warning lamp to illuminate.
- On diesel-powered vehicles, when the brake booster vacuum line fails, the vacuum switch is turned on causing the brake warning lamp to illuminate.

##### **<Engine oil level warning lamp>**

- When the ignition switch is turned to the ON position (in the state where the engine is stopped), electric current will flow to terminal "L" of the alternator through the multi-purpose fuse No. (8), low engine oil warning lamp and engine oil level relay and the low engine oil warning lamp will also illuminate.
- When the engine starts, the charging voltage will be applied to the terminal "L" of the alternator. Therefore, the low engine oil warning lamp will switch off.
- When the engine oil temperature rises to approx. 55°C, the engine oil level sensor (TEMP) provided in the oil pan will be turned off.
- When the engine oil amount in the oil pan drops below the set level in this state, the engine oil level sensor (LEVEL) will be turned off to apply the voltage to the delay circuit.
- If the OFF state continues for approx. 20 seconds or more, the power transistor will be turned on to light the low engine oil warning lamp to indicate a shortage of engine oil.

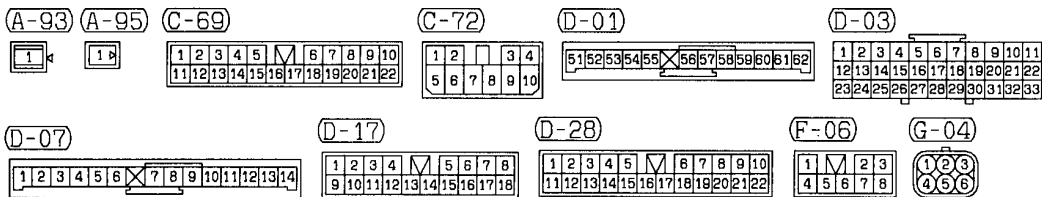
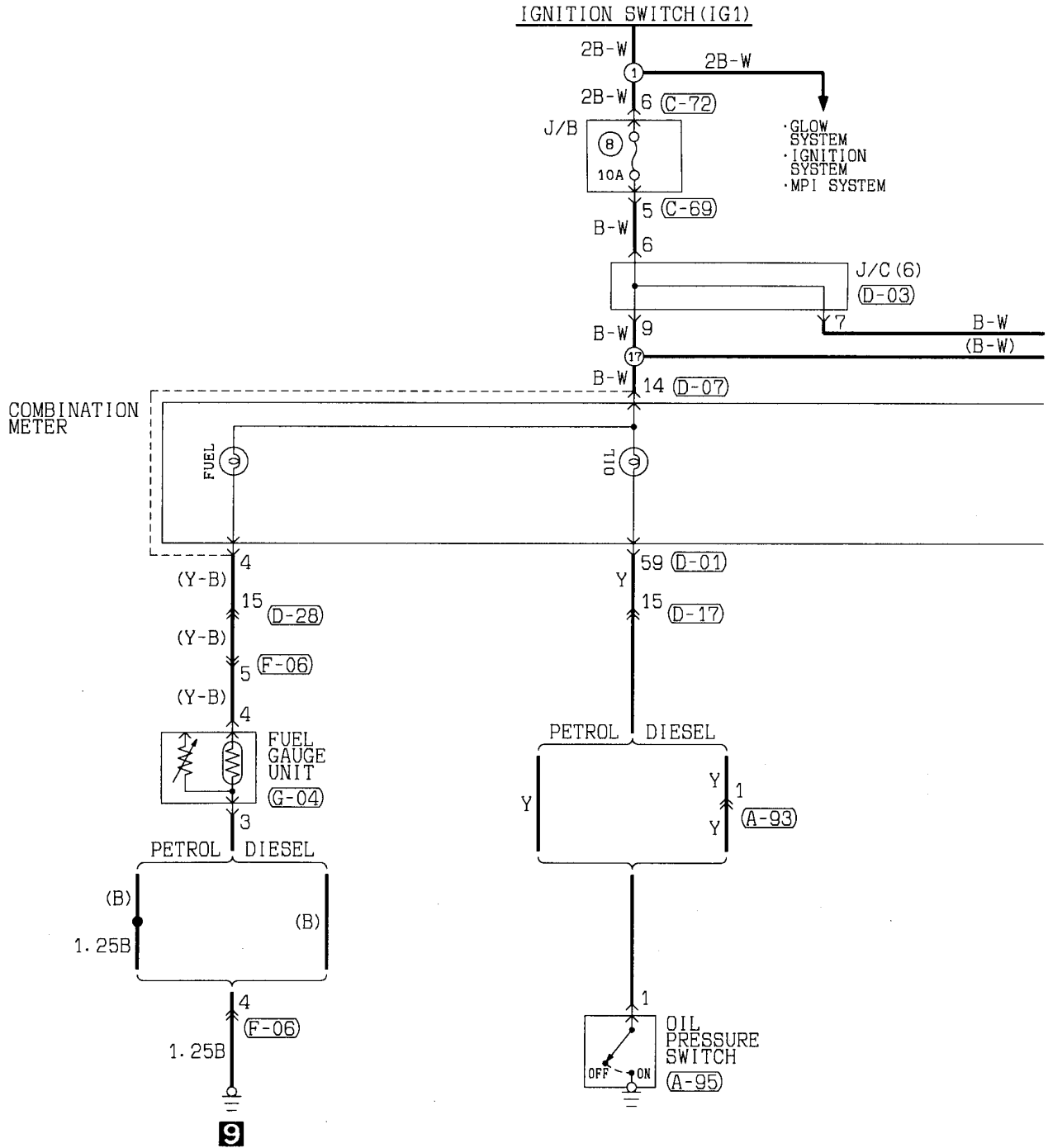
##### **Remark**

The delay circuit is provided to prevent the low engine oil warning lamp from illuminating even if the engine oil level sensor is temporarily turned off due to cornering or other running conditions of the vehicle.

FUEL WARNING LAMP  
OIL PRESSURE WARNING LAMP

120002388

R.H. drive vehicles

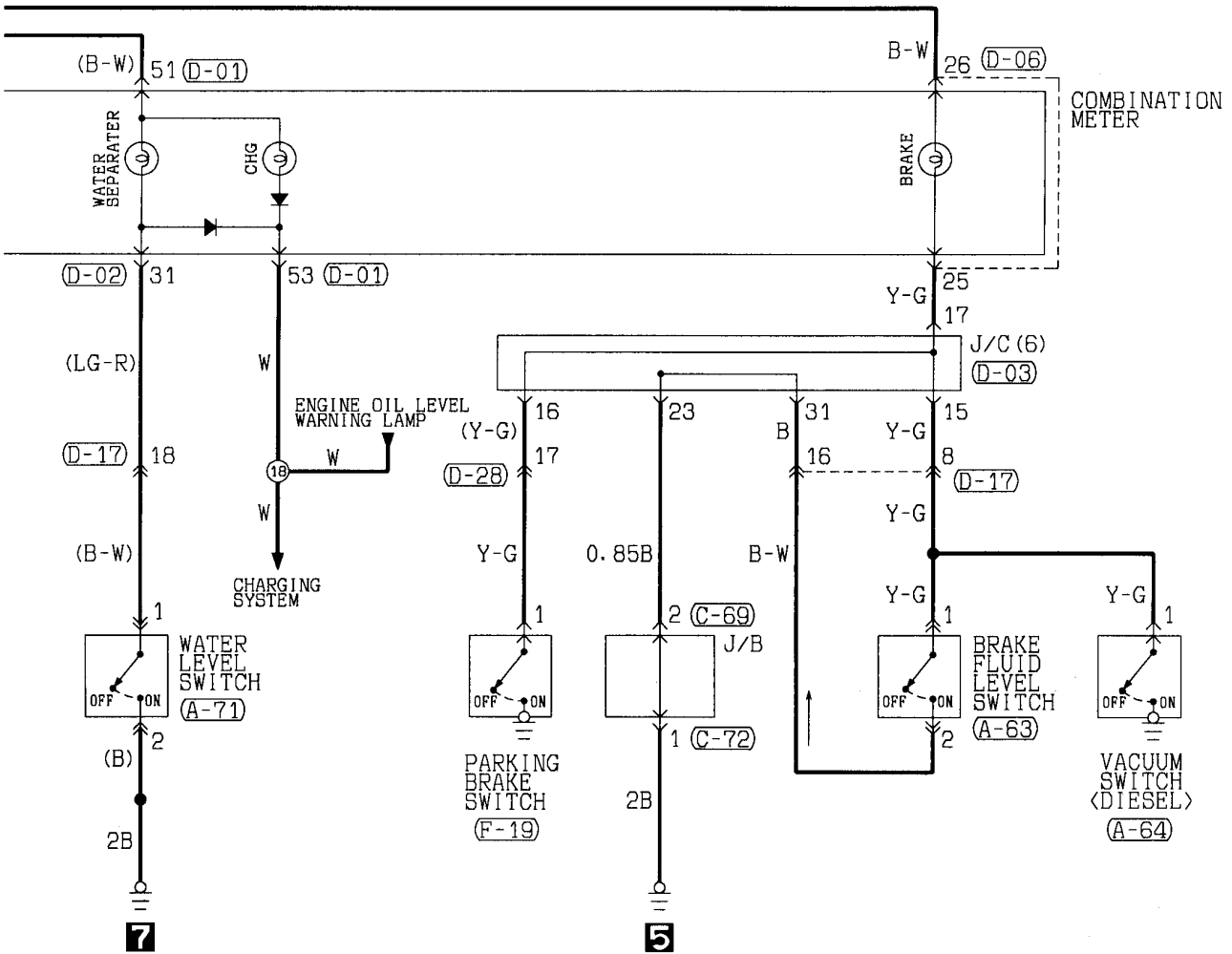


# FUEL FILTER WARNING LAMP

R.H. drive vehicles <4D56>

# BRAKE WARNING LAMP

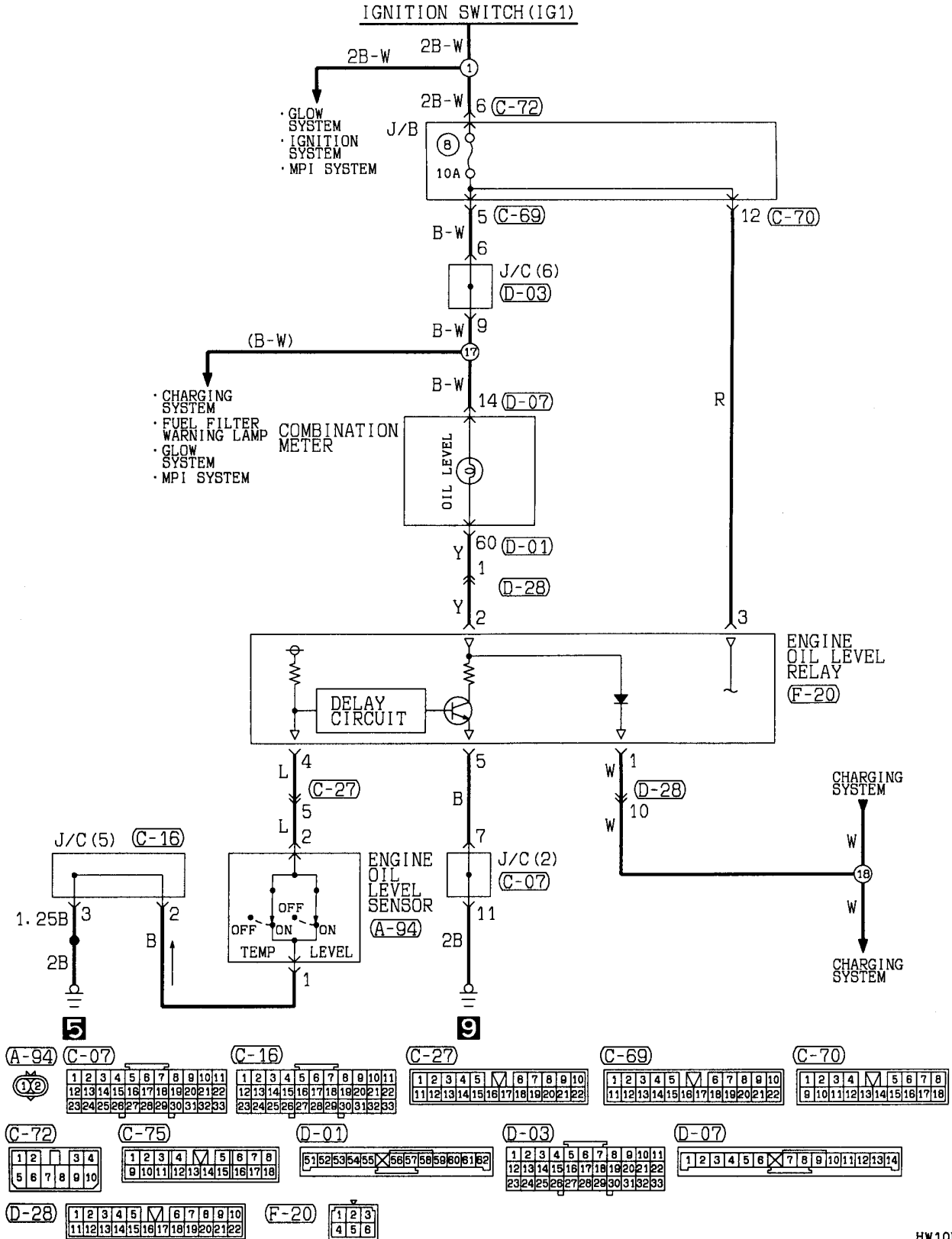
R.H. drive vehicles



<b>A-63</b> 1 2	<b>A-64</b> 1	<b>A-71</b> 1	<b>C-69</b> 1 2 3 4 5 6 7 8 9 10 11 12 13 14 15 16 17 18 19 20 21 22	<b>C-72</b> 1 2 3 4 5 6 7 8 9 10	<b>D-01</b> 51 52 53 54 55 56 57 58 59 60 61 62	<b>D-02</b> 31 32 33 34 35 36 37 38 39 40 41 42 43 44
<b>D-03</b> 1 2 3 4 5 6 7 8 9 10 11 12 13 14 15 16 17 18 19 20 21 22 23 24 25 26 27 28 29 30 31 32 33	<b>D-06</b> 21 22 23 24 25 26 27 28 29 30	<b>D-17</b> 1 2 3 4 5 6 7 8 9 10 11 12 13 14 15 16 17 18	<b>D-28</b> 1 2 3 4 5 6 7 8 9 10 11 12 13 14 15 16 17 18 19 20 21 22	<b>F-19</b> 1		

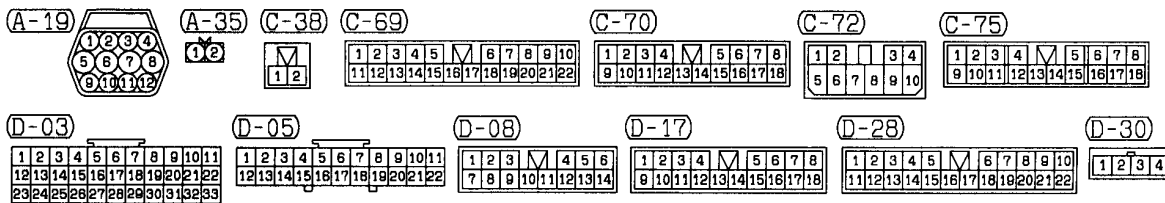
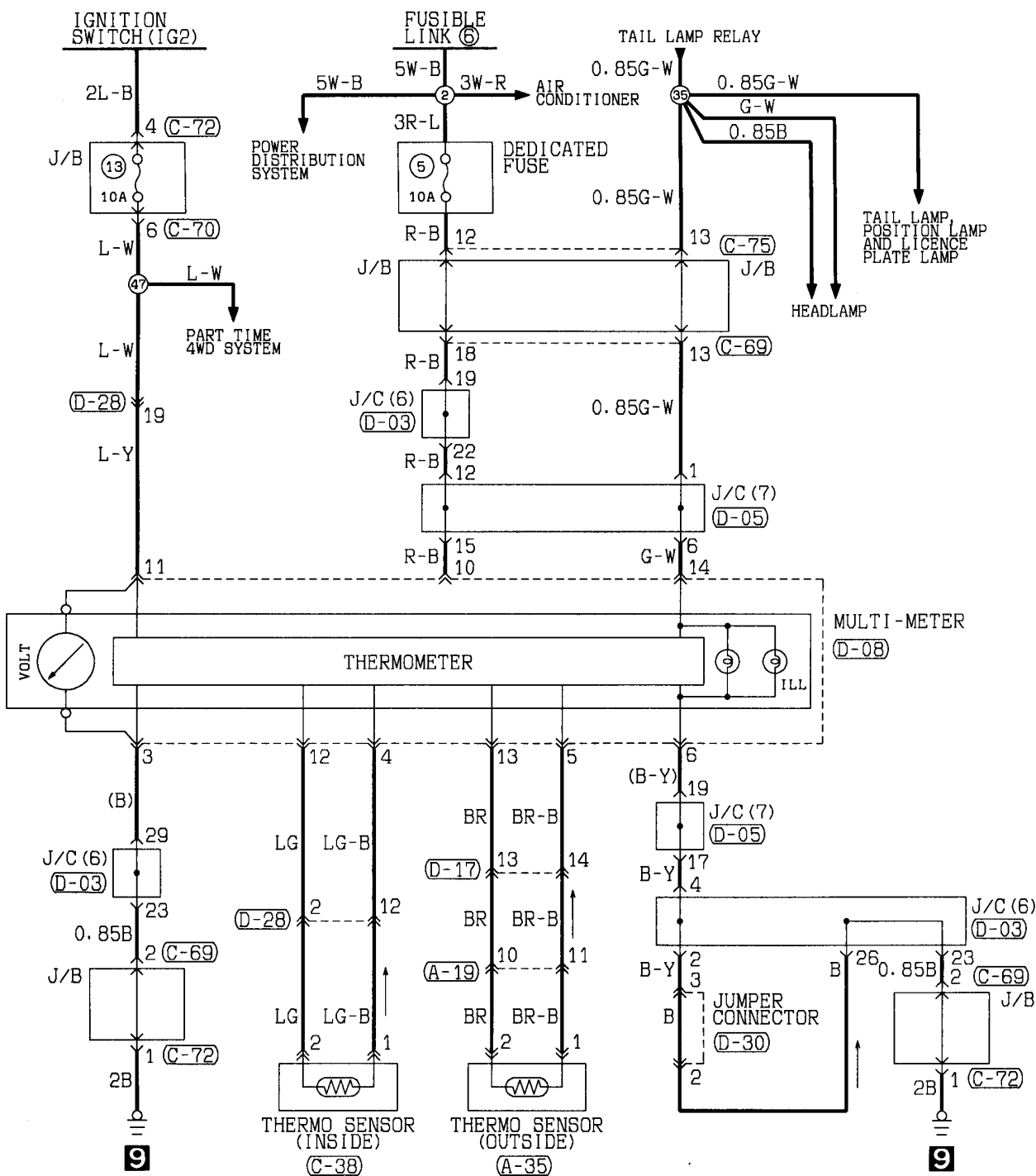
ENGINE OIL LEVEL WARNING LAMP

R.H. drive vehicles



MULTI-METER

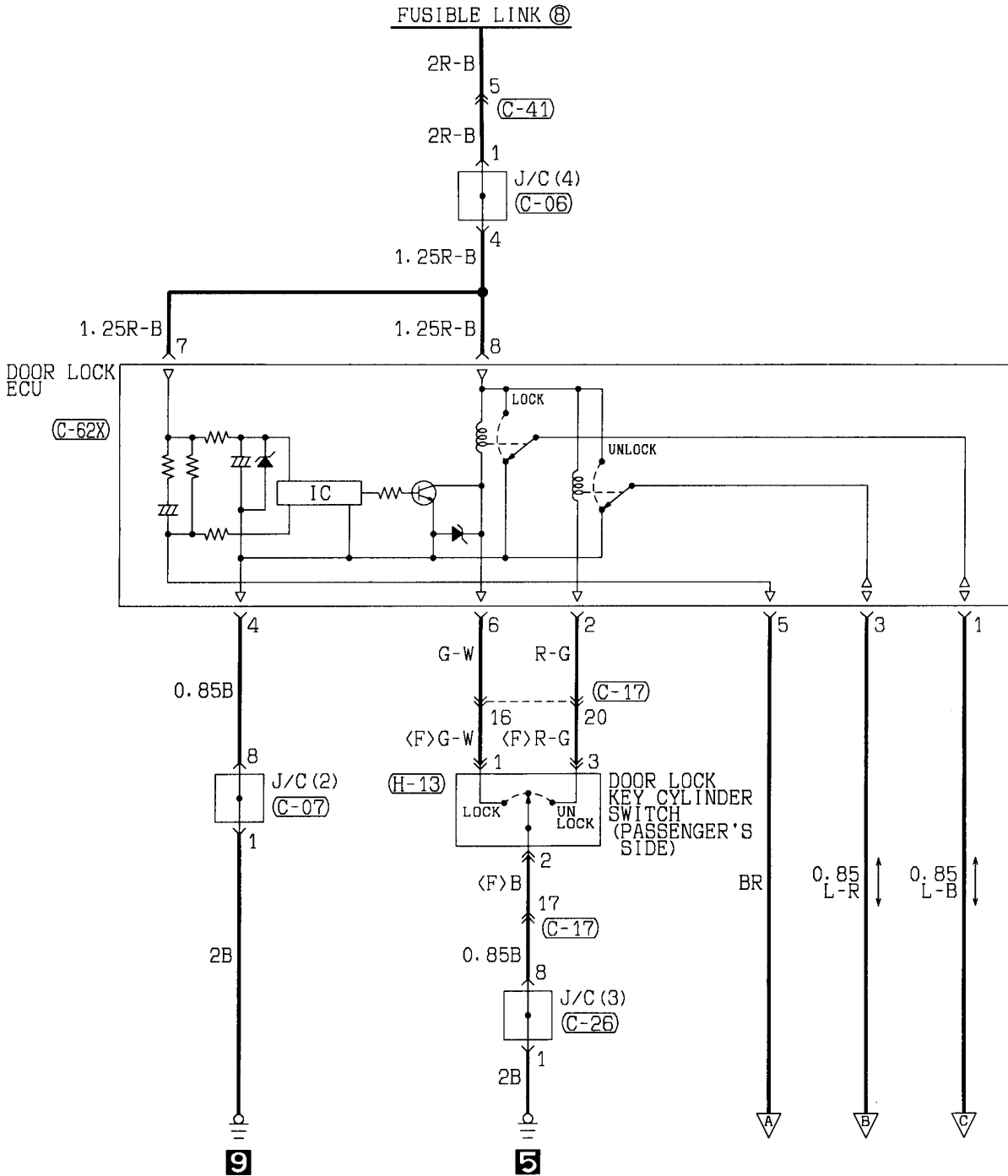
120002389



CENTRAL DOOR LOCKING SYSTEM

120002390

L.H. drive vehicles



(C-06)

1	2
3	4

(C-07)

1	2	3	4	5	6	7	8	9	10	11
12	13	14	15	16	17	18	19	20	21	22
23	24	25	26	27	28	29	30	31	32	33

(C-17)

1	2	3	4
5	6	7	8
9	10	11	12
13	14	15	16
17	18	19	20

(C-26)

1	2	3	4	5	6	7	8	9	10	11
12	13	14	15	16	17	18	19	20	21	22
23	24	25	26	27	28	29	30	31	32	33

(C-41)

1	2	3
4	5	6
7	8	

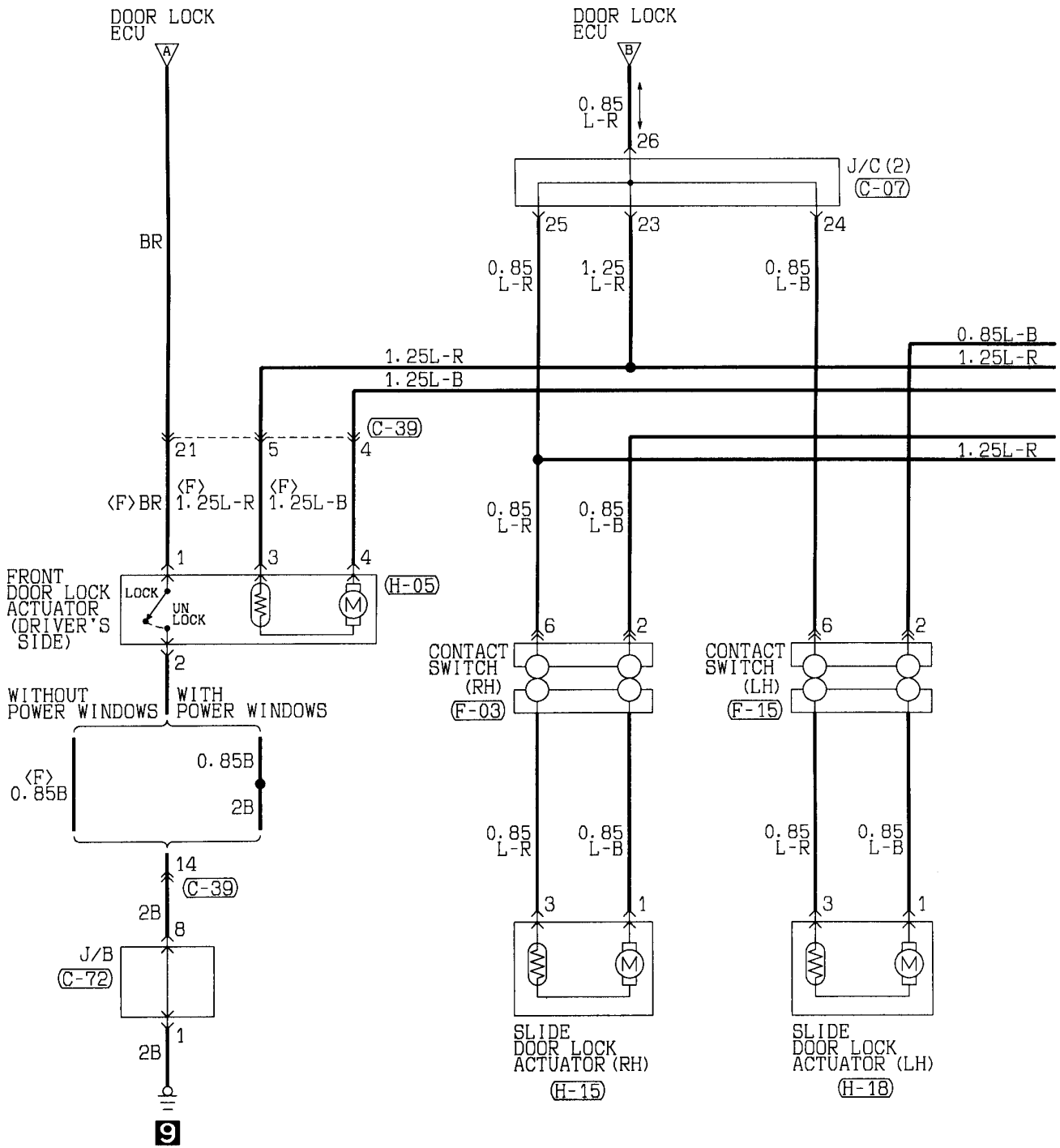
(C-62X)

1	2	3
4	5	6
7	8	

(H-13)

1	2	3
4	5	6
7	8	

Wire colour code  
 B:Black LG:Light green G:Green L:Blue W:White Y:Yellow SB:Sky blue  
 BR:Brown O:Orange GR:Gray R:Red P:Pink V:Violet



9

(C-07)

1	2	3	4	5	6	7	8	9	10	11
12	13	14	15	16	17	18	19	20	21	22
23	24	25	26	27	28	29	30	31	32	33

(C-39)

1	2	3	4	5	6	7	8	9
10	11	12	13	14	15	16	17	18
19	20	21	22	23	24	25	26	27
28	29	30	31	32				

(C-72)

1	2	3	4
5	6	7	8
9	10		

(F-03)

1	2
3	4
5	6

(F-15)

1	2
3	4
5	6

(H-05)

1	2
3	4

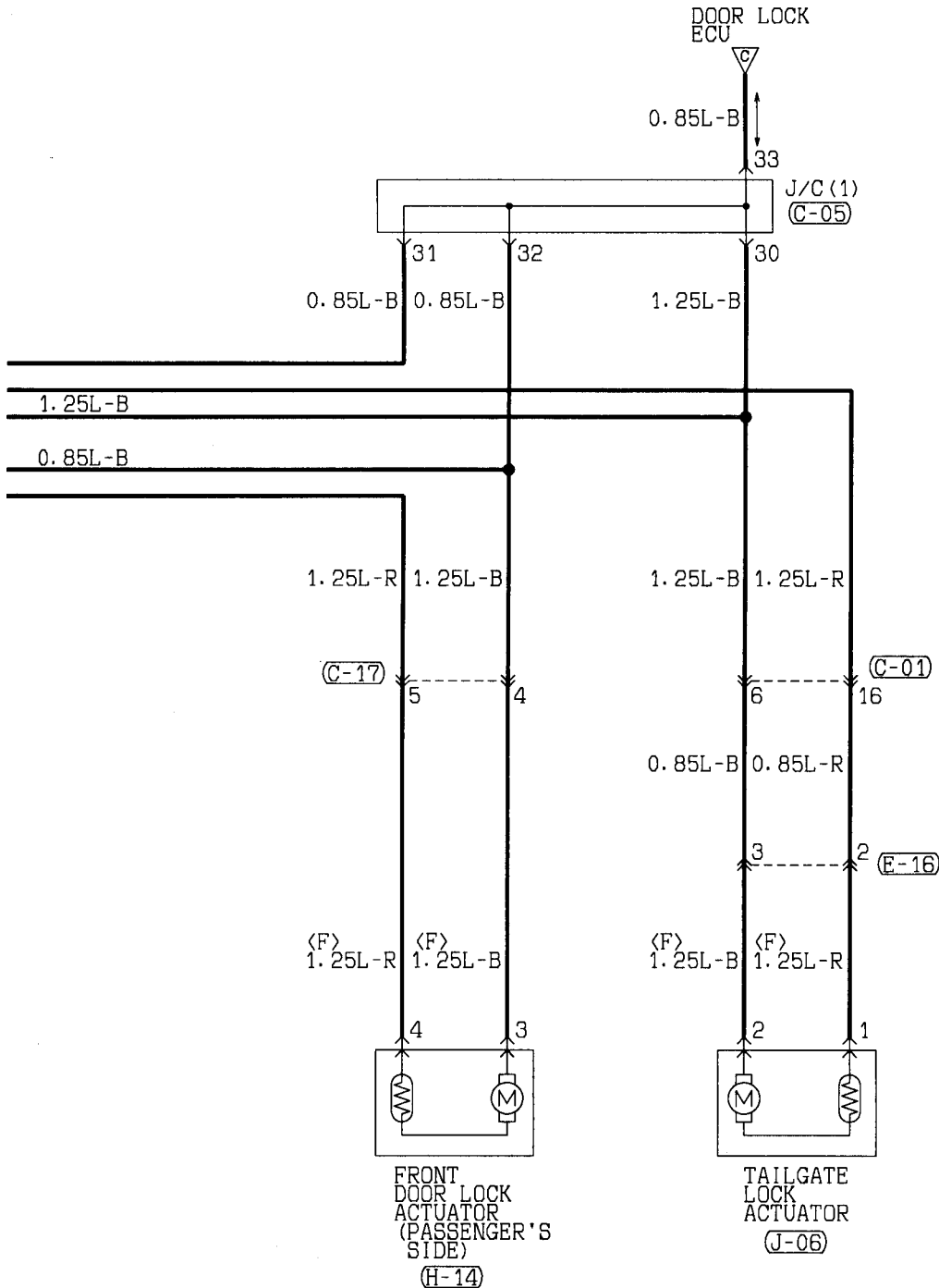
(H-15)

1	2
3	4

(H-18)

1	2
3	4

CENTRAL DOOR LOCKING SYSTEM <L.H. drive vehicles> (CONTINUED)



(C-01)

1	2	3	4	5	6	7	8		
9	10	11	12	13	14	15	16	17	18

(C-05)

1	2	3	4	5	6	7	8	9	10	11
12	13	14	15	16	17	18	19	20	21	22
23	24	25	26	27	28	29	30	31	32	33

(C-17)

1	2	3	4				
5	6	7	8	9	10	11	12
13	14	15	16	17	18	19	20

(E-16)

1	2	3
---	---	---

(H-14)

1	2
3	4

(J-06)

1	2	
3	4	5

Wire colour code  
 B:Black LG:Light green G:Green L:Blue W:White Y:Yellow SB:Sky blue  
 BR:Brown O:Orange GR:Gray R:Red P:Pink V:Violet



**CENTRAL DOOR LOCKING SYSTEM (See P. 4-132, 136.)**

120002391

**OPERATION**

1. **Operation by means of driver's side inside lock knob or door lock key.**
  - When the driver's side inside lock knob (including key operation) is in the "LOCK" (or "UNLOCK") position, the driver's side door latch switch turns off "LOCK" (or on "UNLOCK") and the timer inside the door lock-ECU functions to turn on the output transistor for approximately 0.5 seconds. This causes the lock side (or unlock side) power relay inside the door lock control unit to turn "ON", and all actuators operate.
2. **Operation by means of passenger's side door lock key.**
  - When the passenger's side door lock key cylinder switch is turned to "LOCK" (or "UNLOCK") position with the key, the lock side (or unlock side) power relay inside the door lock-ECU turns "ON", and all actuators operate.

**Remark**

- Each door lock actuator has a PTC thermistor to prevent the motor from being damaged by overheating. This results in the actuator not properly operation at times when the central door lock is frequently used, the actuator is operational if it resumes normal operation within several minutes.

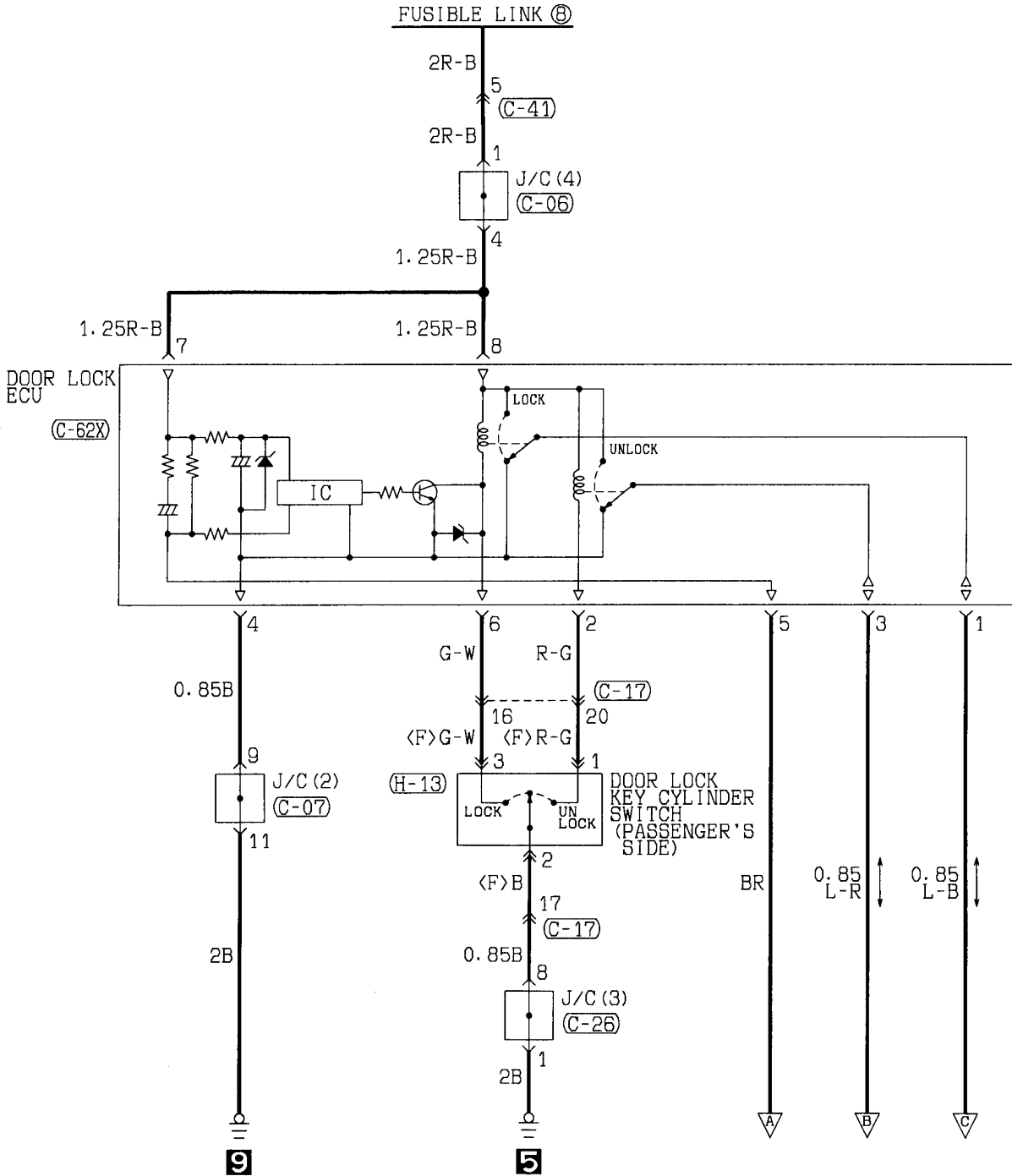
**TROUBLESHOOTING HINTS**

1. Any one of the door lock actuators is inoperative.
  - Check the defective door actuator.
2. Door cannot be locked or unlocked with the inside lock knob on the driver's side door. (including key operation)
  - Check door latch switch.
  - Check door lock-ECU.
3. Door cannot be locked or unlocked with the passenger's side key.
  - Check door lock key cylinder switch.

CENTRAL DOOR LOCKING SYSTEM

120002392

R.H. drive vehicles



(C-06)

1	2
3	4

(C-07)

1	2	3	4	5	6	7	8	9	10	11
12	13	14	15	16	17	18	19	20	21	22
23	24	25	26	27	28	29	30	31	32	33

(C-17)

1	2	3	4
5	6	7	8
9	10	11	12
13	14	15	16
17	18	19	20

(C-26)

1	2	3	4	5	6	7	8	9	10	11
12	13	14	15	16	17	18	19	20	21	22
23	24	25	26	27	28	29	30	31	32	33

(C-41)

1	2	3
4	5	6
7	8	

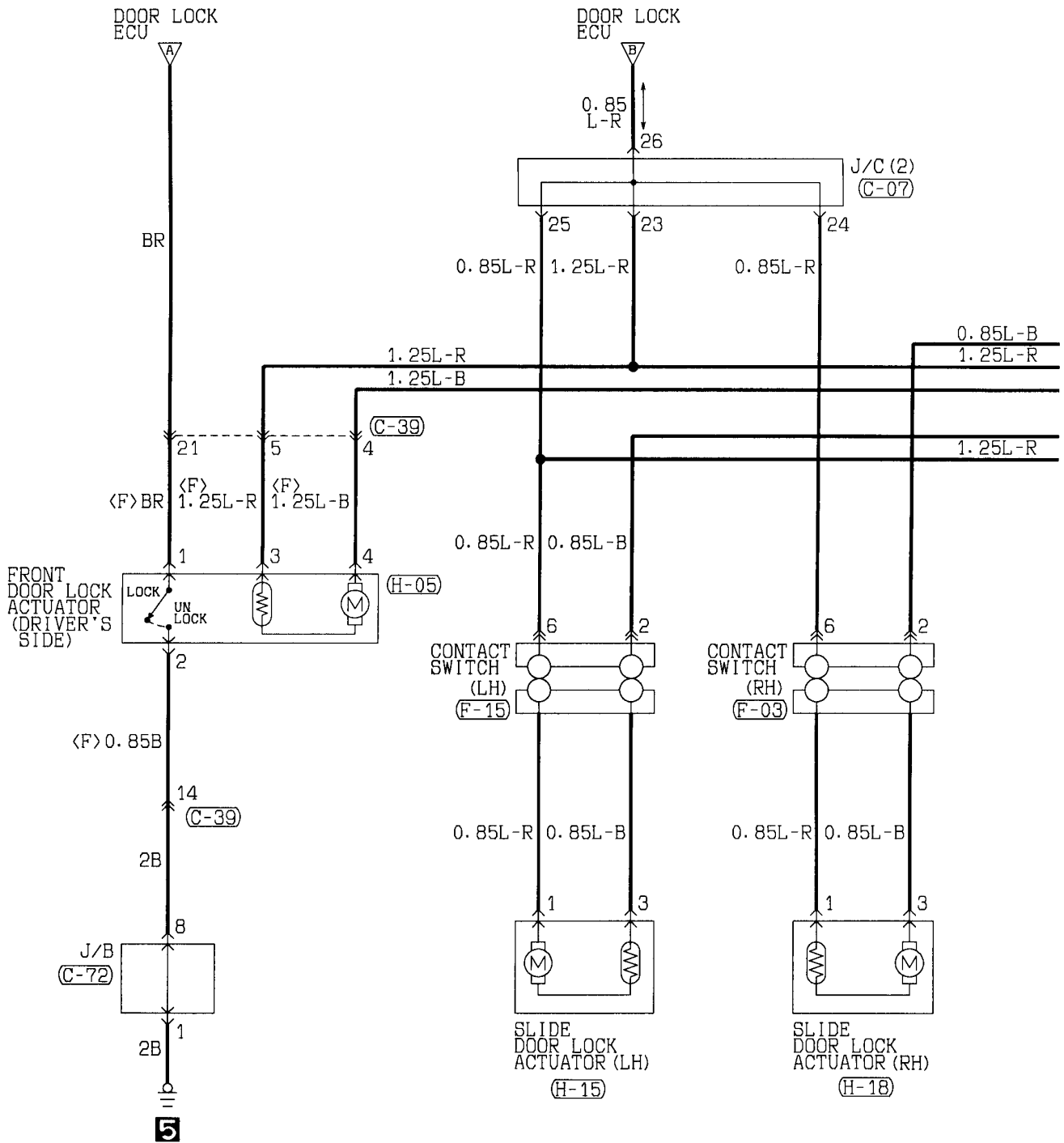
(C-62X)

1	2	3
4	5	6
7	8	

(H-13)

1	2	3
4	5	6
7	8	

Wire colour code  
 B:Black LG:Light green G:Green L:Blue W:White Y:Yellow SB:Sky blue  
 BR:Brown O:Orange GR:Gray R:Red P:Pink V:Violet



(C-07)

1	2	3	4	5	6	7	8	9	10	11
12	13	14	15	16	17	18	19	20	21	22
23	24	25	26	27	28	29	30	31	32	33

(C-39)

1	2	3	4	5	6	7	8	9			
10	11	12	13	14	15	16	17	18	19	20	21
22	23	24	25	26	27	28	29	30	31	32	

(C-72)

1	2	3	4		
5	6	7	8	9	10

(F-03)

1	M	2	
3	4	5	6

(F-15)

1	M	2	
3	4	5	6

(H-05)

1	2
3	4

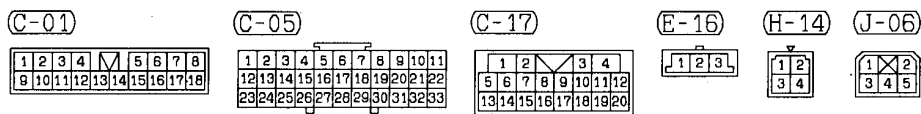
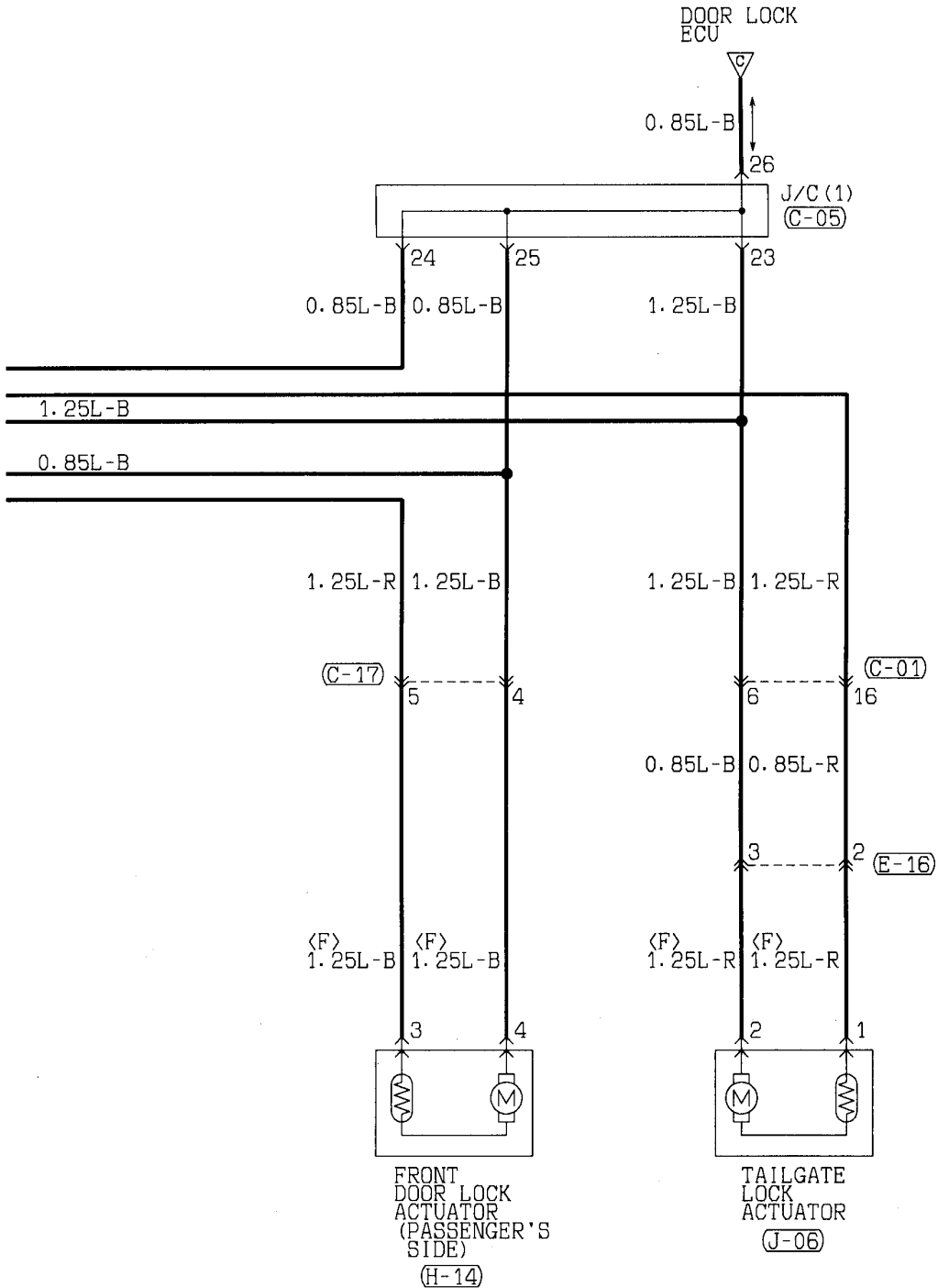
(H-15)

1	2
3	4

(H-18)

1	2
3	4

CENTRAL DOOR LOCKING SYSTEM <R.H. drive vehicles> (CONTINUED)

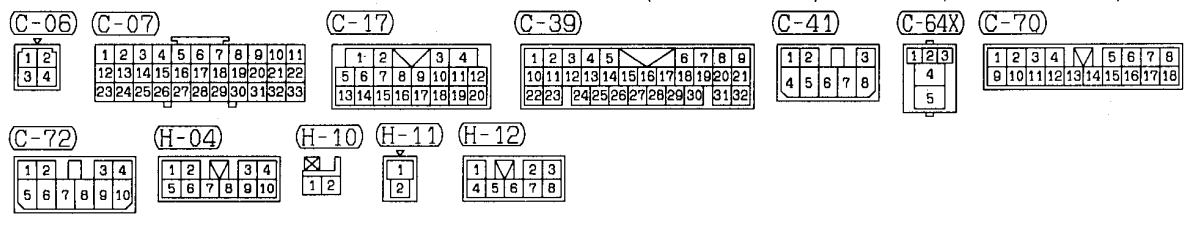
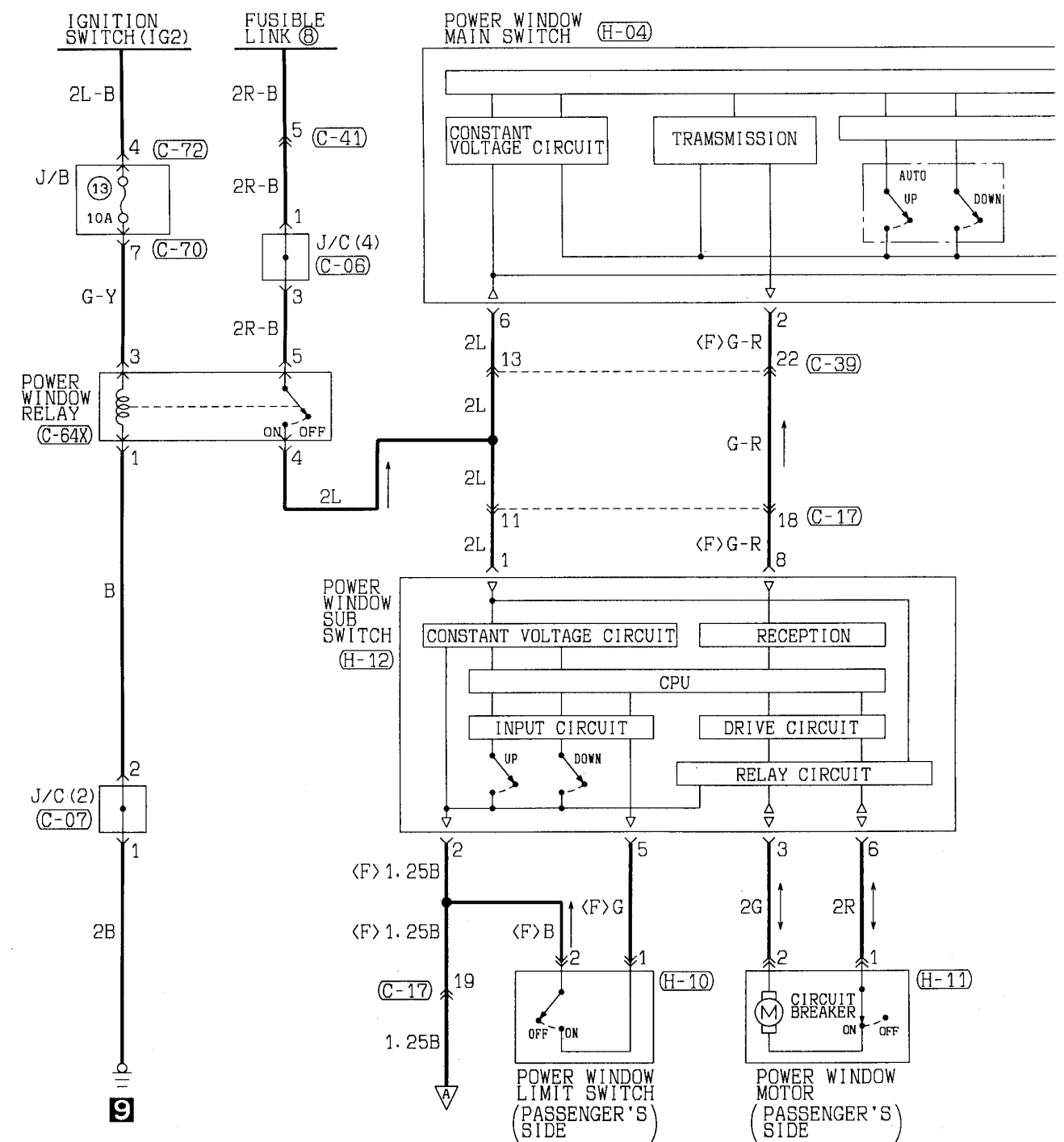


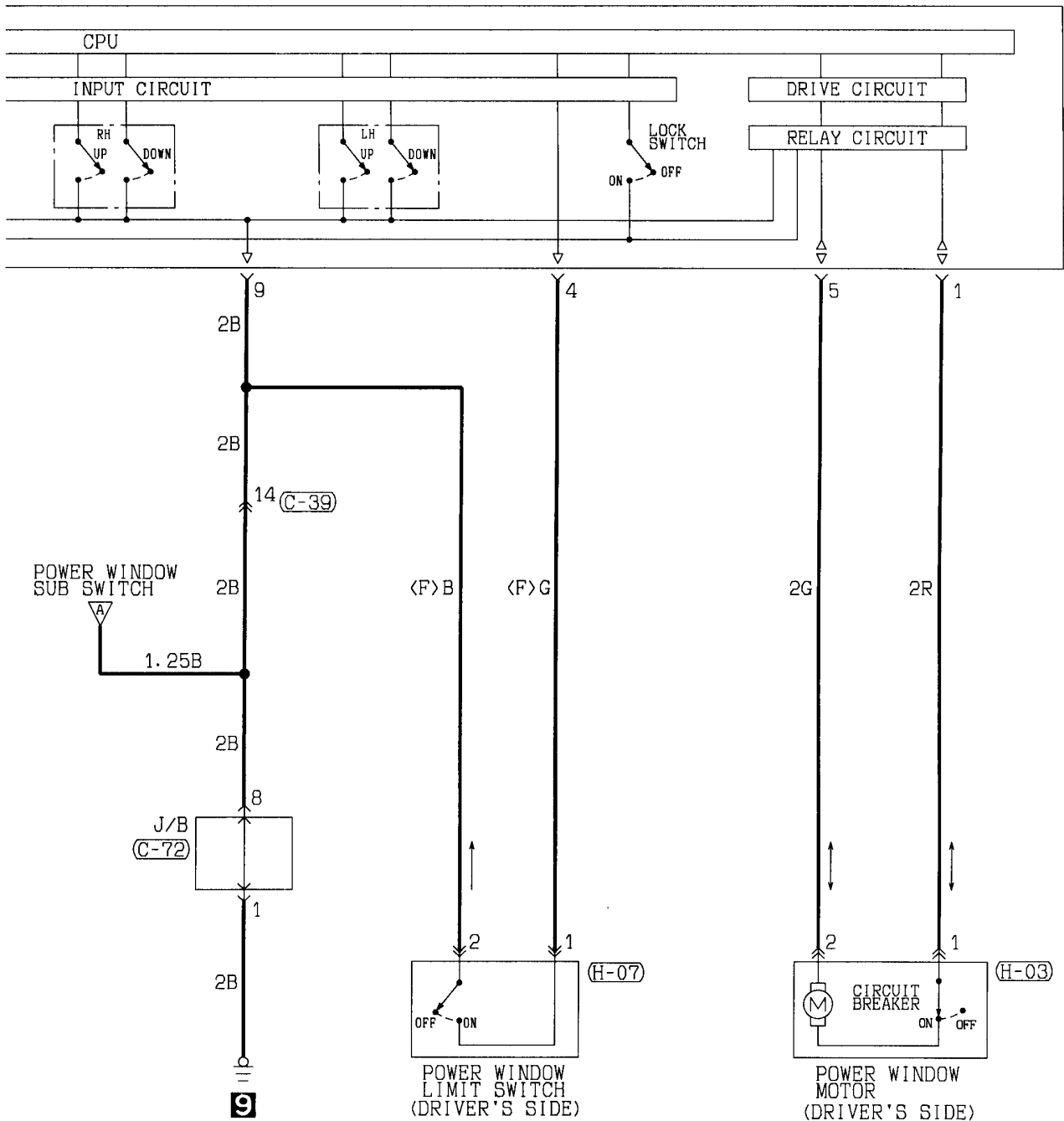
Wire colour code  
 B:Black LG:Light green G:Green L:Blue W:White Y:Yellow SB:Sky blue  
 BR:Brown O:Orange GR:Gray R:Red P:Pink V:Violet

NOTES

POWER WINDOWS

120002393





(C-39)

1	2	3	4	5	6	7	8	9
10	11	12	13	14	15	16	17	18
19	20	21	22	23	24	25	26	27
28	29	30	31	32				

(C-72)

1	2	3	4
5	6	7	8
9	10		

(H-03)

1
2

(H-07)

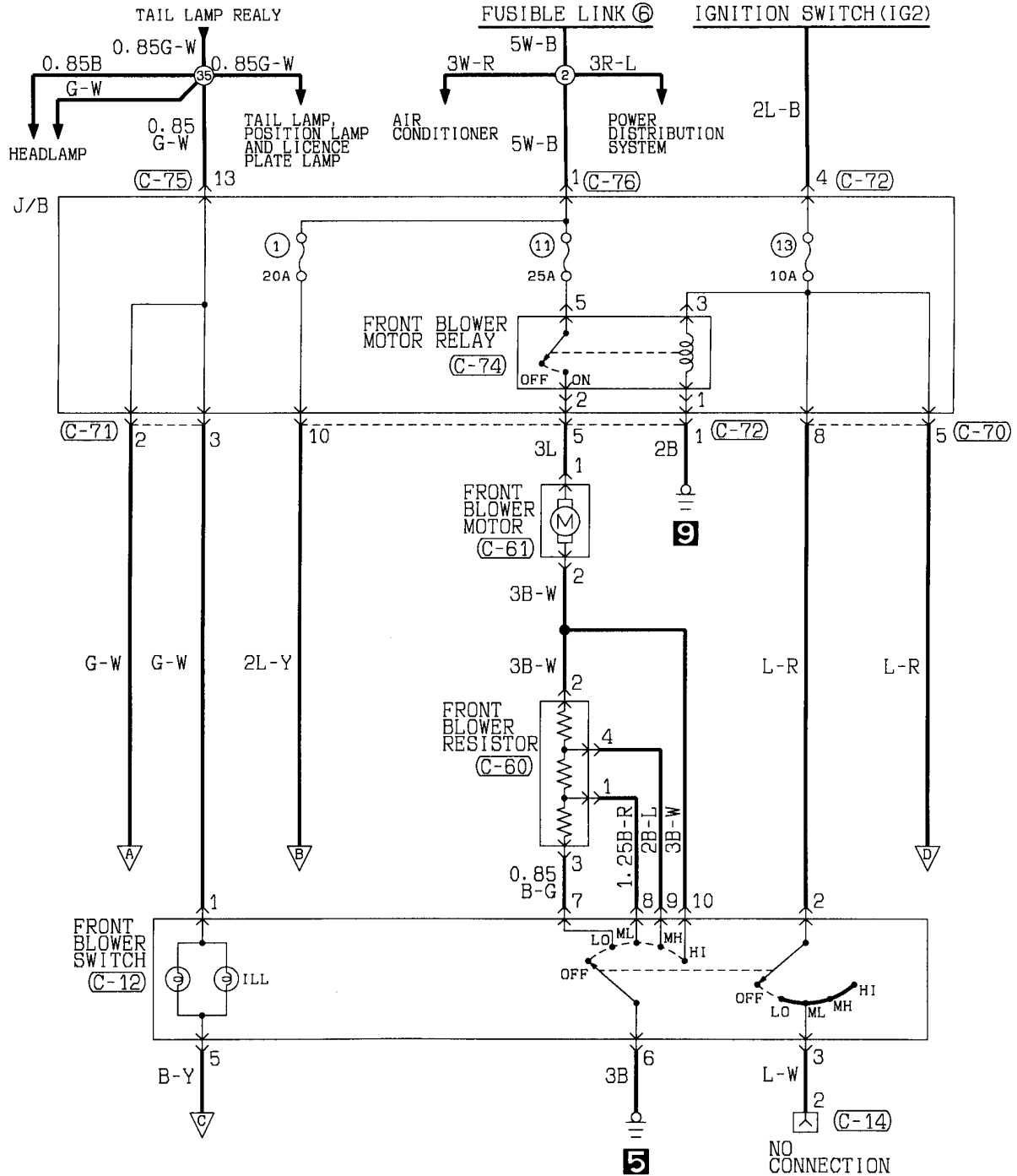
1	2
---	---

Wire colour code  
 B:Black LG:Light green G:Green L:Blue W:White Y:Yellow SB:Sky blue  
 BR:Brown O:Orange GR:Gray R:Red P:Pink V:Violet

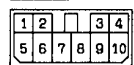
HEATER

120002394

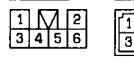
L.H. drive vehicles with under seat type rear heater



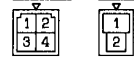
C-12



C-14



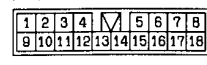
C-60



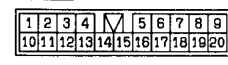
C-61



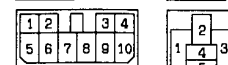
C-70



C-71



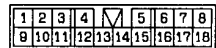
C-72



C-74



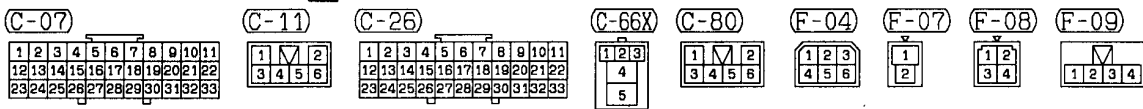
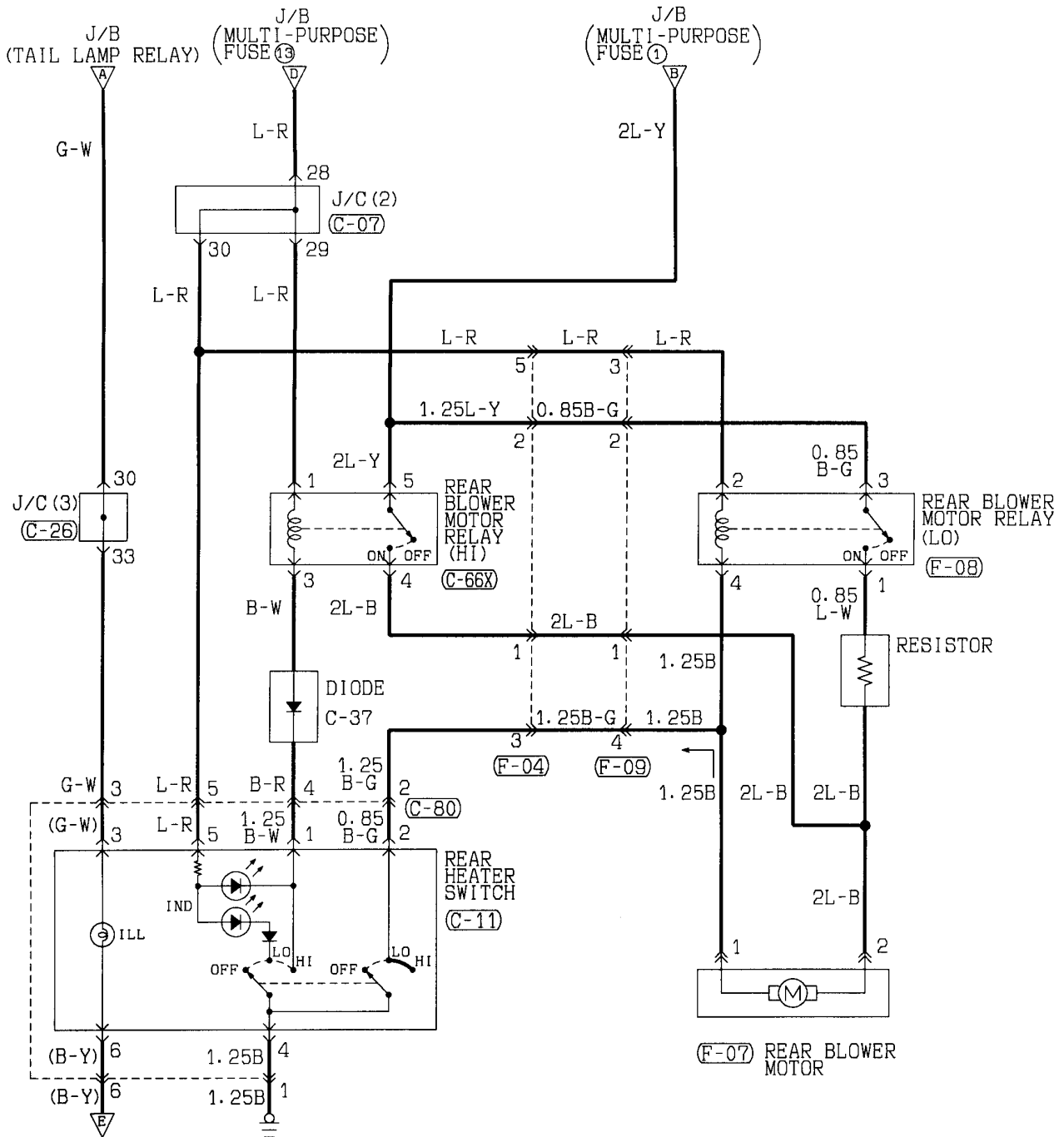
C-75



C-76

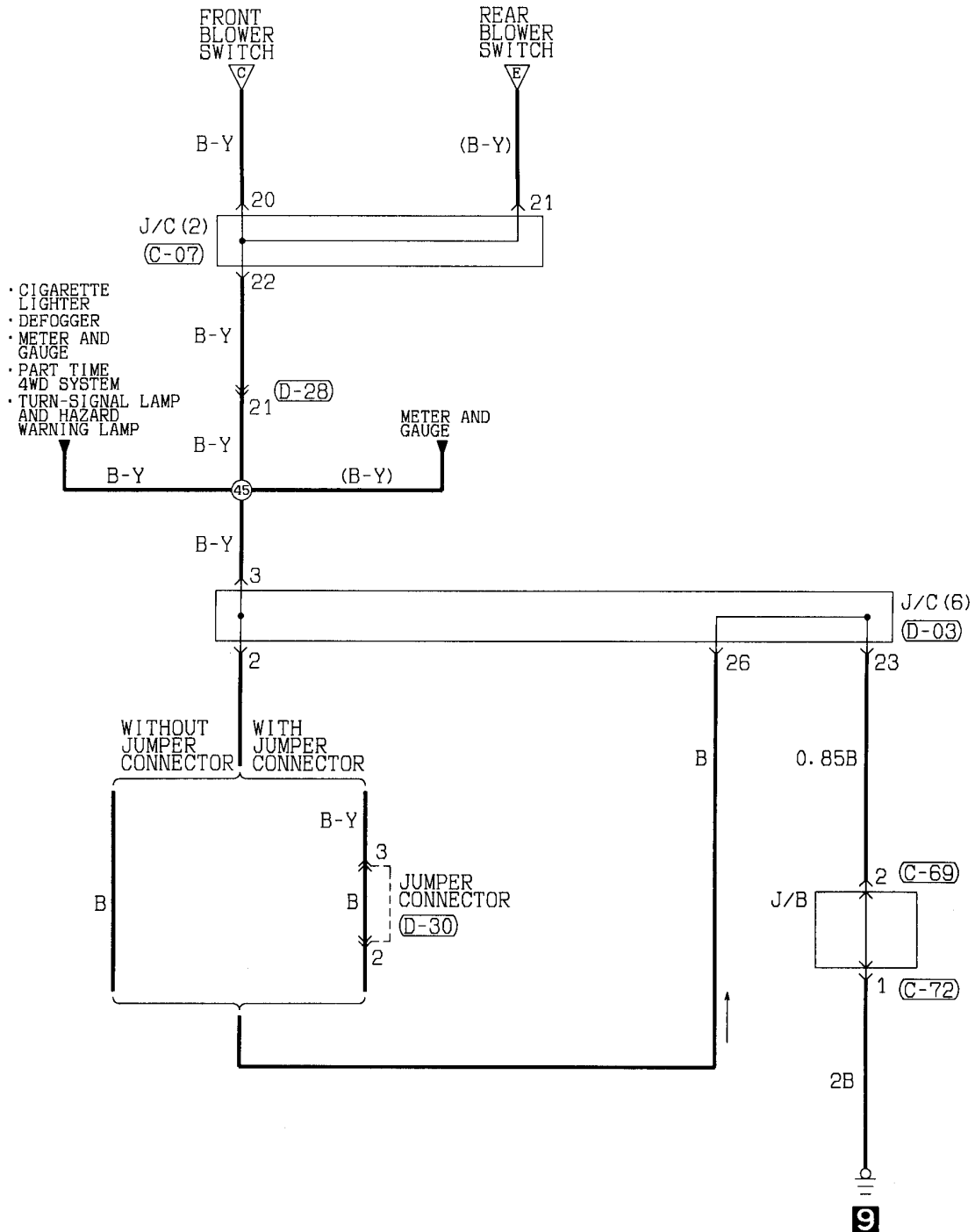






Wire colour code  
 B:Black LG:Light green G:Green L:Blue W:White Y:Yellow SB:Sky blue  
 BR:Brown O:Orange GR:Gray R:Red P:Pink V:Violet

HEATER <L.H. drive vehicles with under seat type rear heater> (CONTINUED)



(C-07)

1	2	3	4	5	6	7	8	9	10	11
12	13	14	15	16	17	18	19	20	21	22
23	24	25	26	27	28	29	30	31	32	33

(C-69)

1	2	3	4	5	6	7	8	9	10		
11	12	13	14	15	16	17	18	19	20	21	22

(C-72)

1	2	3	4		
5	6	7	8	9	10

(D-03)

1	2	3	4	5	6	7	8	9	10	11
12	13	14	15	16	17	18	19	20	21	22
23	24	25	26	27	28	29	30	31	32	33

(D-28)

1	2	3	4	5	6	7	8	9	10		
11	12	13	14	15	16	17	18	19	20	21	22

(D-30)

1	2	3	4
---	---	---	---

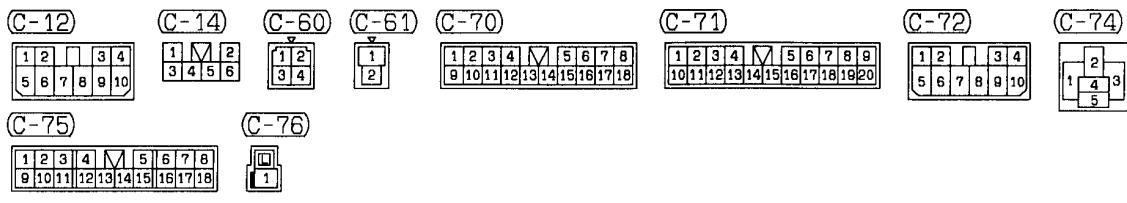
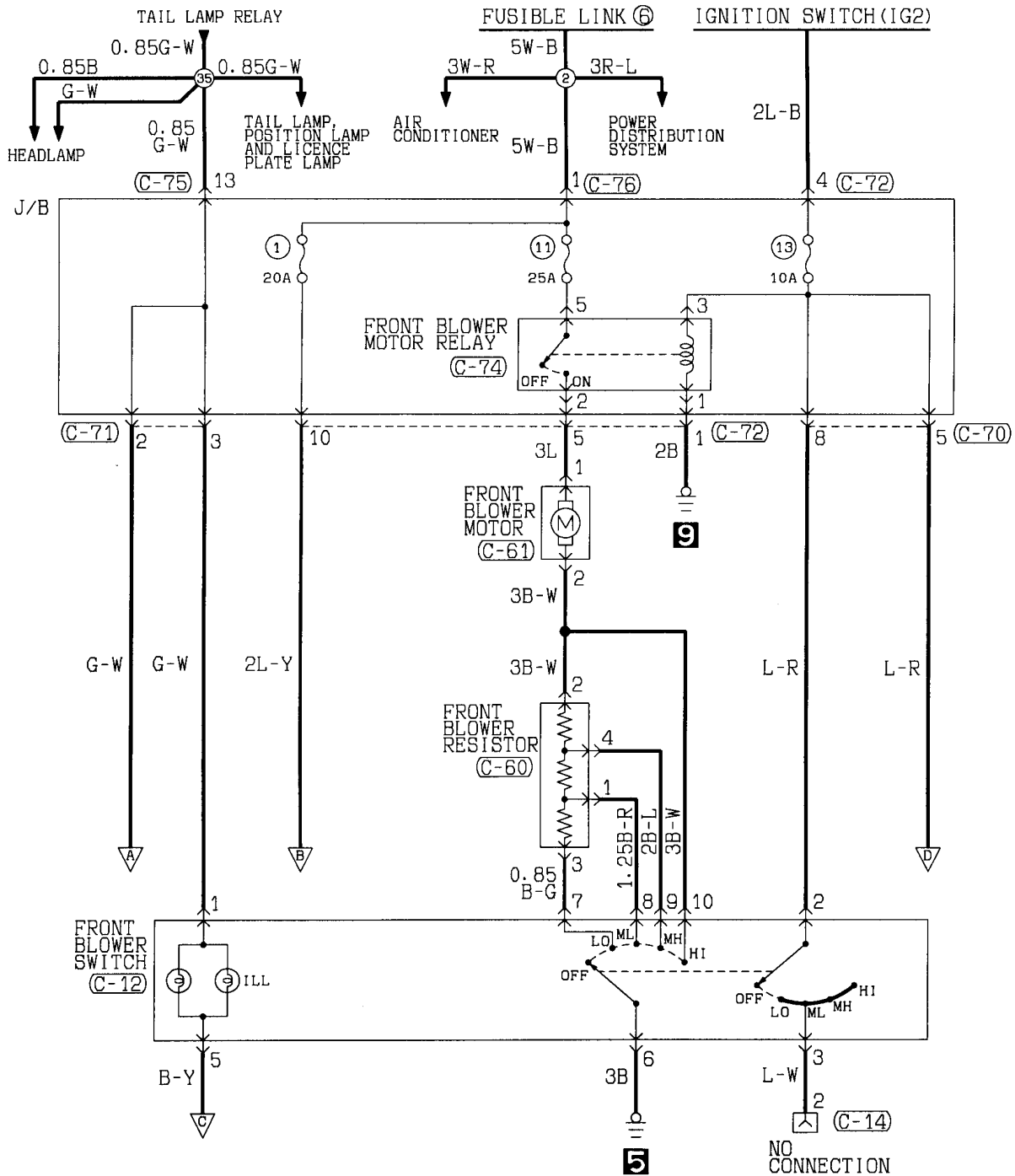
Wire colour code  
 B:Black LG:Light green G:Green L:Blue W:White Y:Yellow SB:Sky blue  
 BR:Brown O:Orange GR:Gray R:Red P:Pink V:Violet

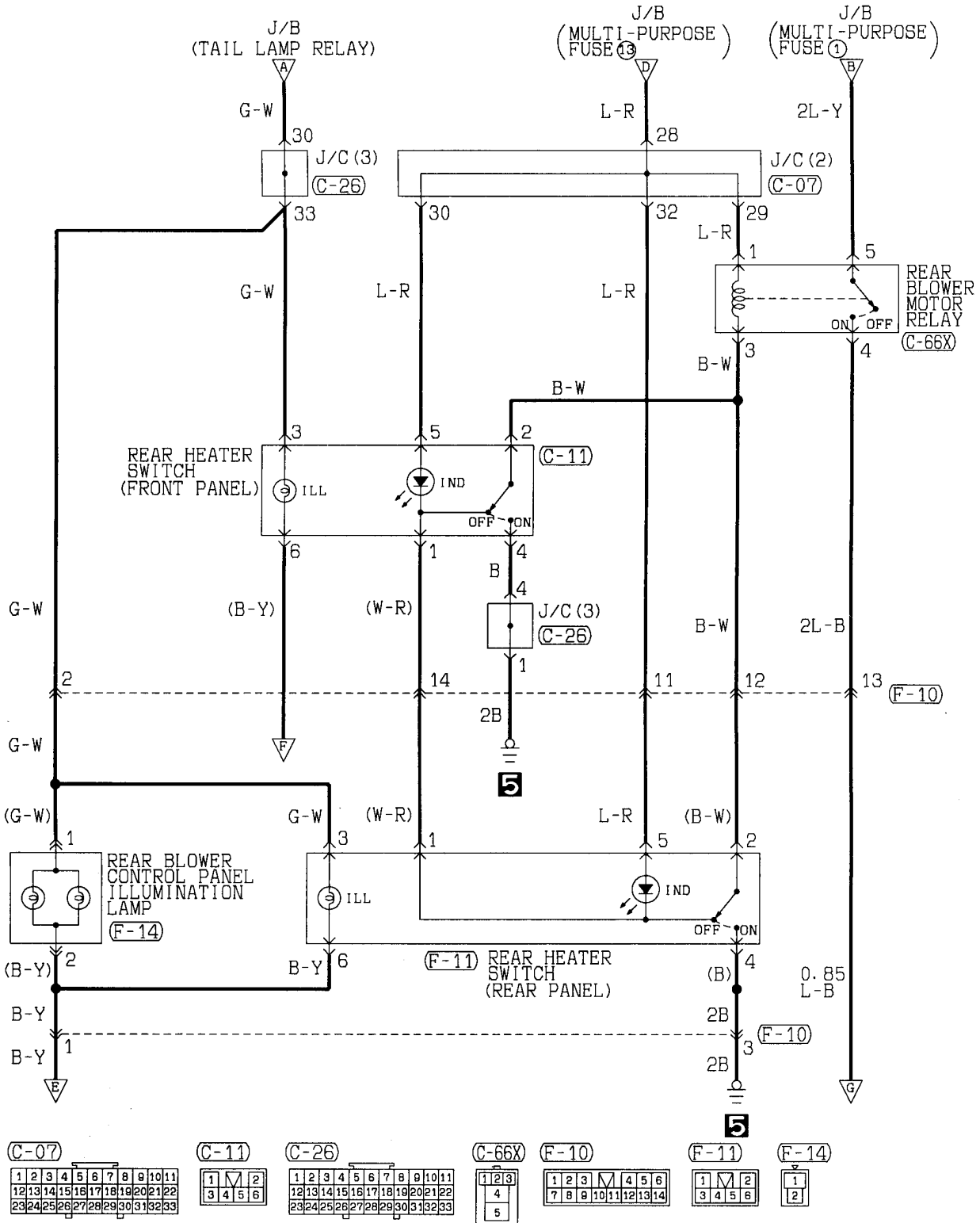
NOTES

HEATER

120002395

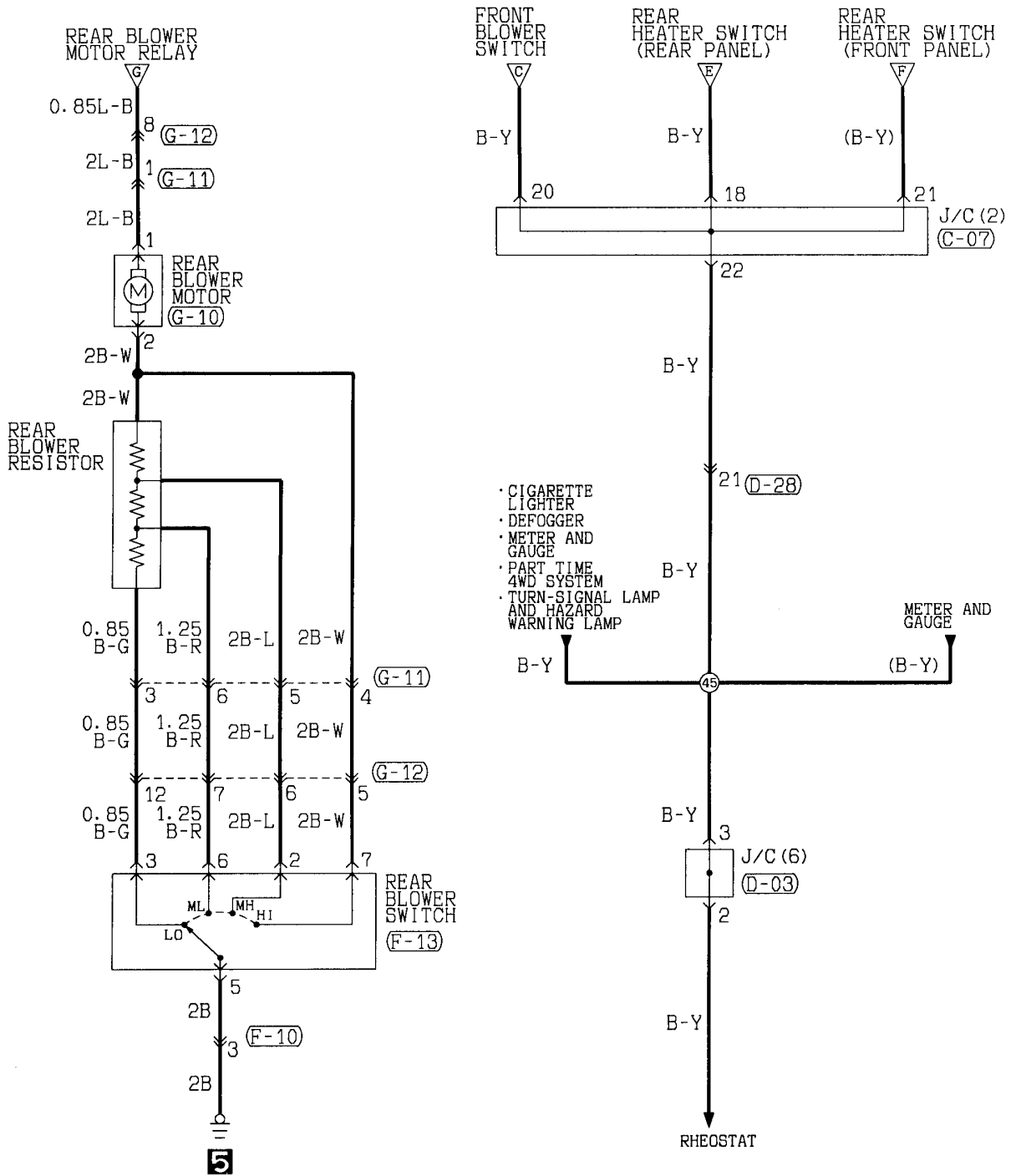
L.H. drive vehicles with built-in type rear heater





Wire colour code  
 B:Black LG:Light green G:Green L:Blue W:White Y:Yellow SB:Sky blue  
 BR:Brown O:Orange GR:Gray R:Red P:Pink V:Violet

HEATER <L.H. drive vehicles with built-in type rear heater> (CONTINUED)



(C-07)

1	2	3	4	5	6	7	8	9	10	11
12	13	14	15	16	17	18	19	20	21	22
23	24	25	26	27	28	29	30	31	32	33

(D-03)

1	2	3	4	5	6	7	8	9	10	11
12	13	14	15	16	17	18	19	20	21	22
23	24	25	26	27	28	29	30	31	32	33

(D-28)

1	2	3	4	5	6	7	8	9	10		
11	12	13	14	15	16	17	18	19	20	21	22

(F-10)

1	2	3	4	5	6		
7	8	9	10	11	12	13	14

(F-13)

1	2	3	4
5	6	7	8

(G-10)

1	2
---	---

(G-11)

1	2	3
4	5	6

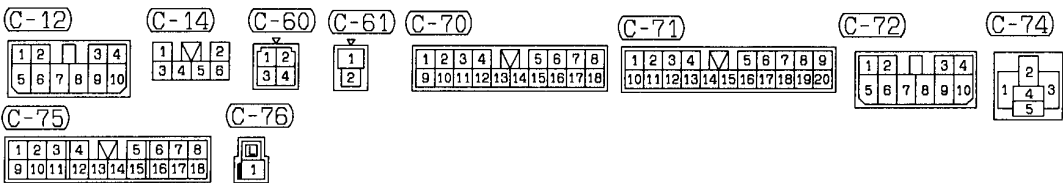
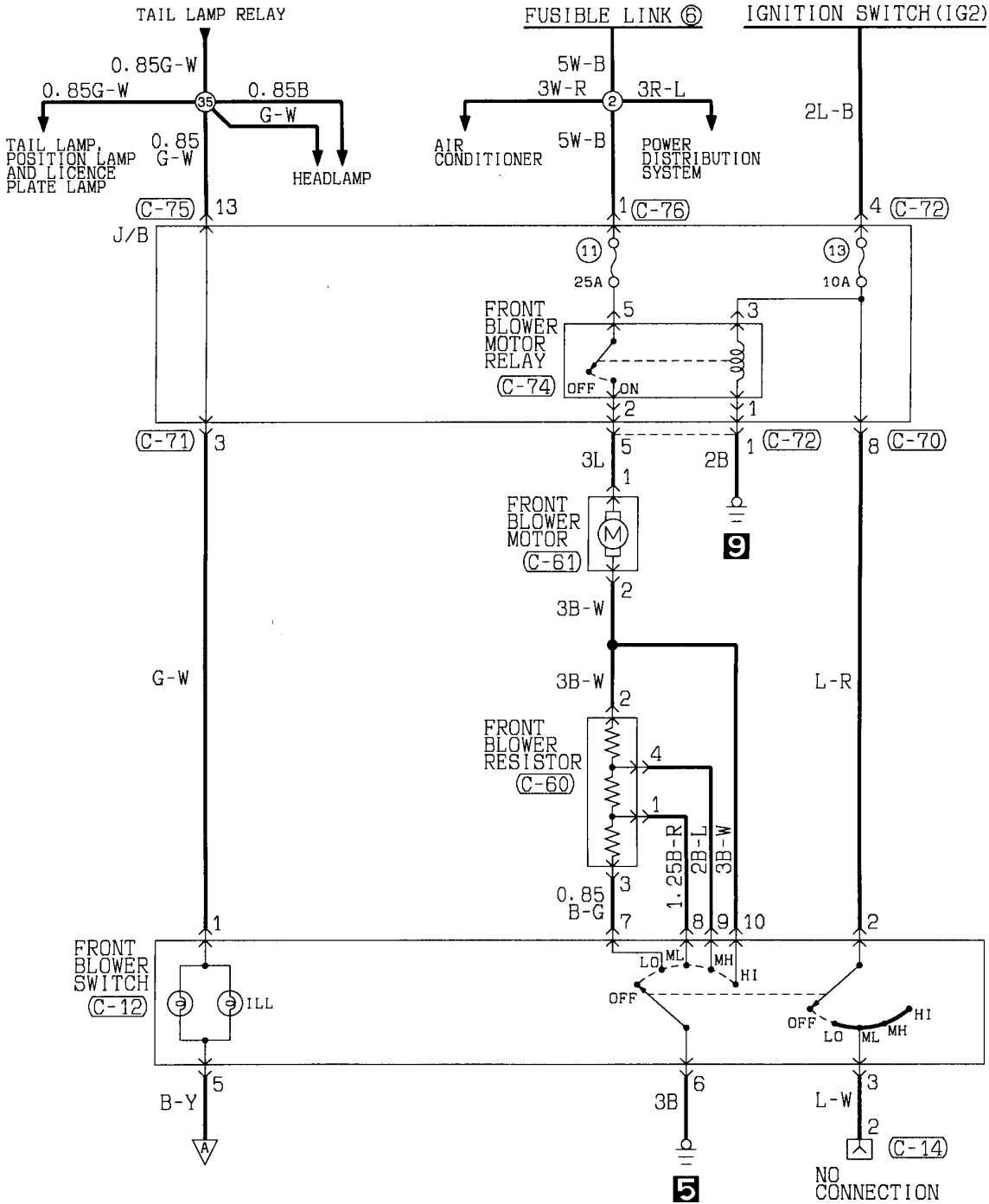
(G-12)



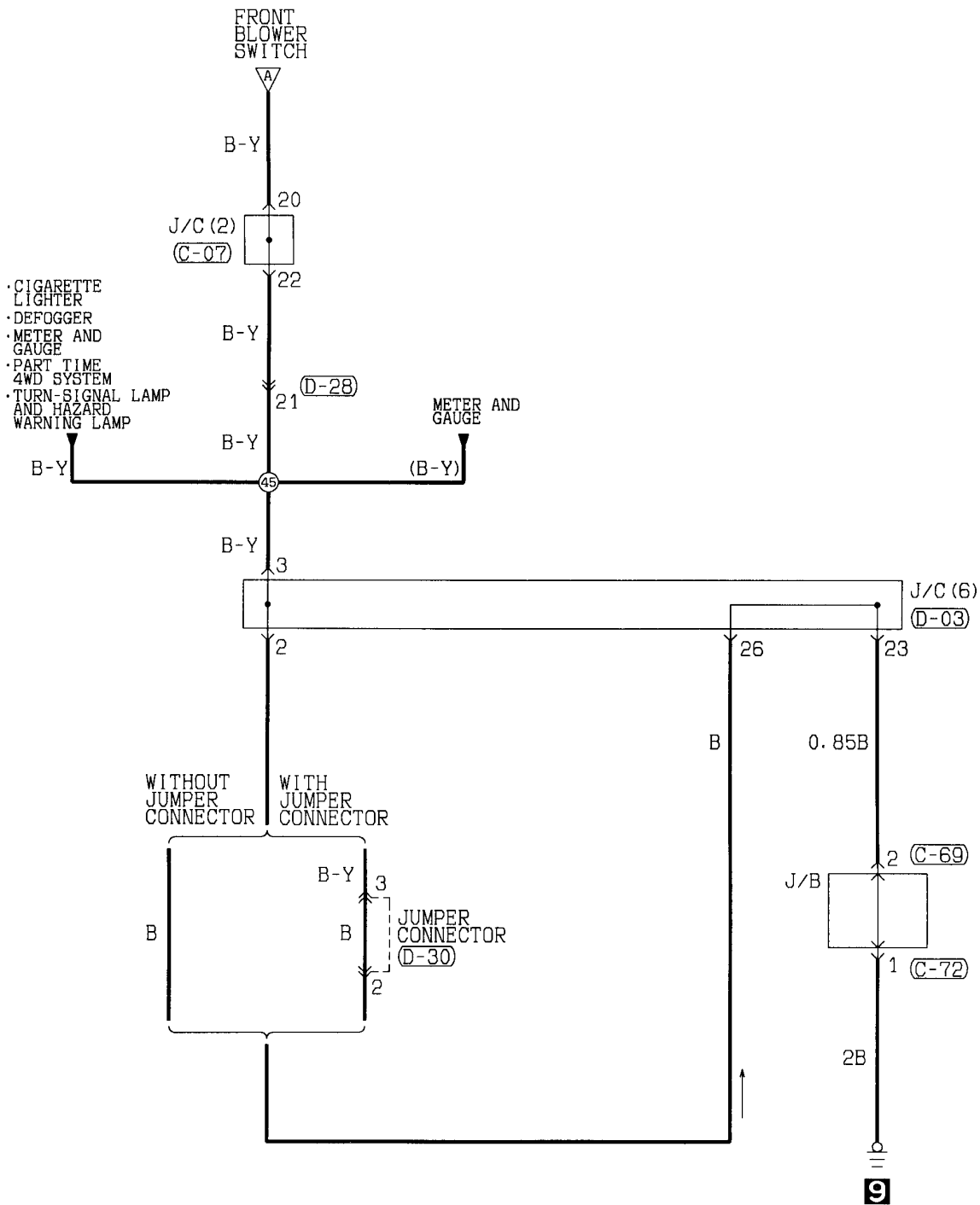
NOTES

HEATER

L.H. drive vehicles without rear heater







(C-07)

1	2	3	4	5	6	7	8	9	10	11
12	13	14	15	16	17	18	19	20	21	22
23	24	25	26	27	28	29	30	31	32	33

(C-69)

1	2	3	4	5	6	7	8	9	10
11	12	13	14	15	16	17	18	19	20
21	22								

(C-72)

1	2	3	4
5	6	7	8
9	10		

(D-03)

1	2	3	4	5	6	7	8	9	10	11
12	13	14	15	16	17	18	19	20	21	22
23	24	25	26	27	28	29	30	31	32	33

(D-28)

1	2	3	4	5	6	7	8	9	10
11	12	13	14	15	16	17	18	19	20
21	22								

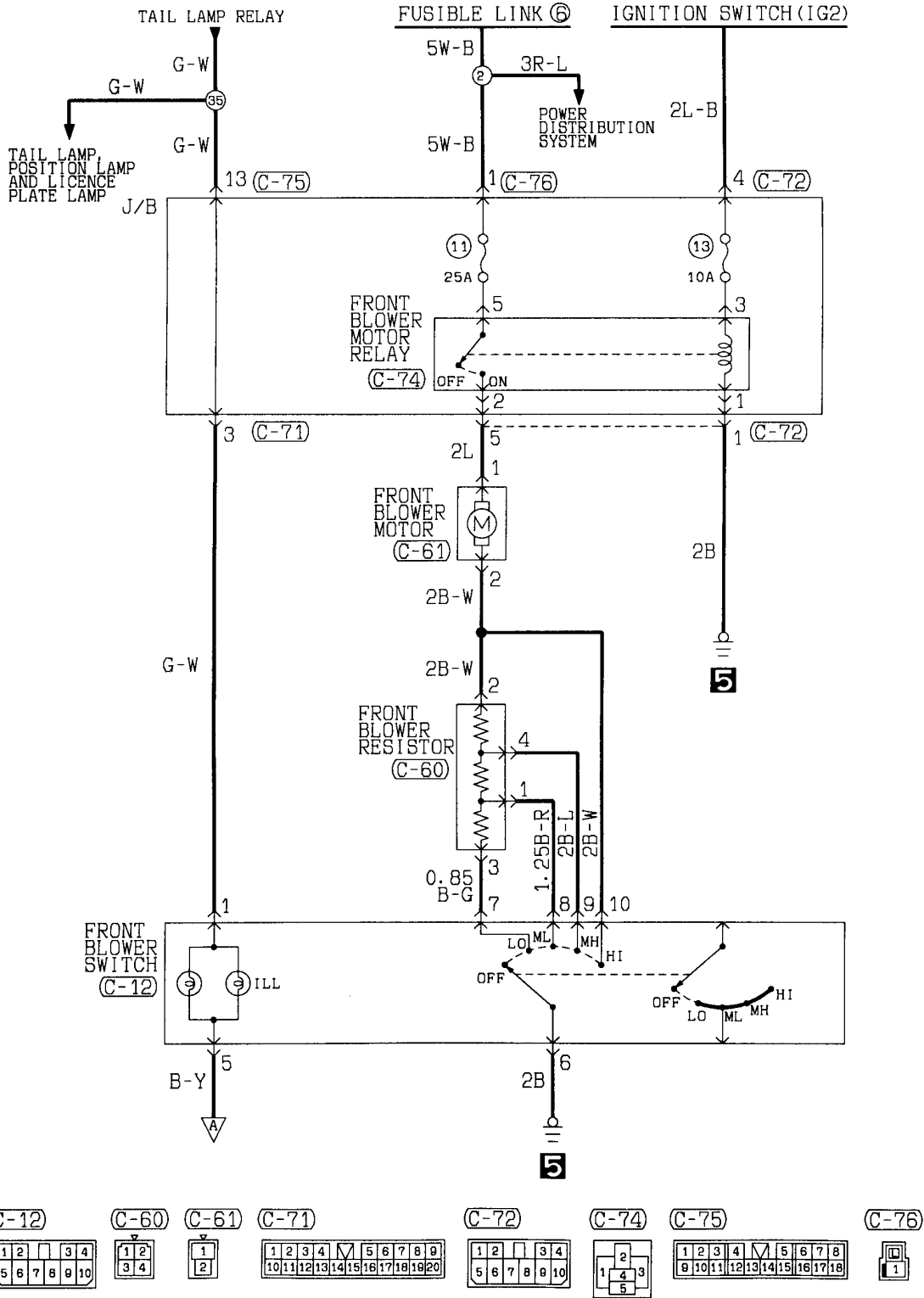
(D-30)

1	2	3	4
---	---	---	---

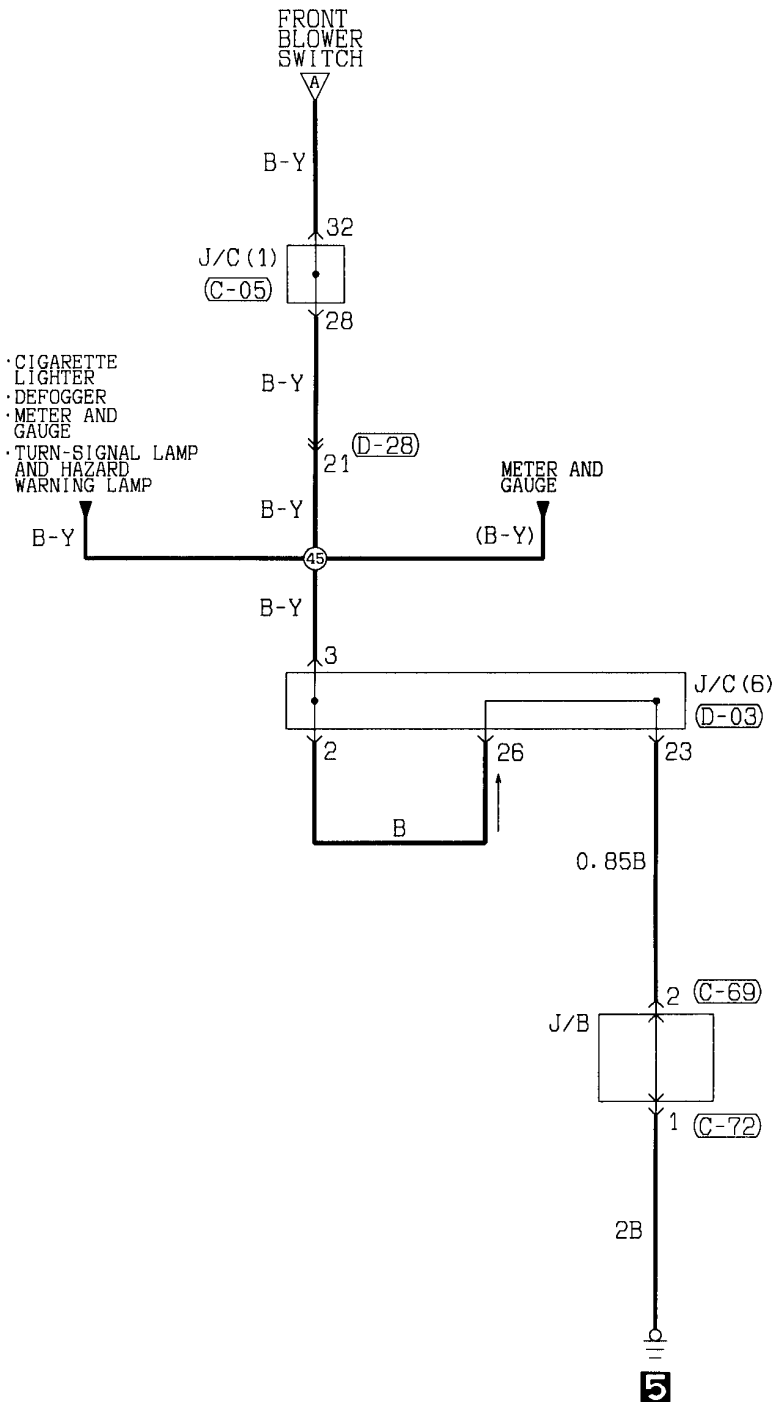
Wire colour code  
 B:Black LG:Light green G:Green L:Blue W:White Y:Yellow SB:Sky blue  
 BR:Brown O:Orange GR:Gray R:Red P:Pink V:Violet

HEATER

R.H. drive vehicles



Wire colour code  
 B:Black LG:Light green G:Green L:Blue W:White Y:Yellow SB:Sky blue  
 BR:Brown O:Orange GR:Gray R:Red P:Pink V:Violet



C-05

1	2	3	4	5	6	7	8	9	10	11
12	13	14	15	16	17	18	19	20	21	22
23	24	25	26	27	28	29	30	31	32	33

C-69

1	2	3	4	5	6	7	8	9	10		
11	12	13	14	15	16	17	18	19	20	21	22

C-72

1	2	3	4		
5	6	7	8	9	10

D-03

1	2	3	4	5	6	7	8	9	10	11
12	13	14	15	16	17	18	19	20	21	22
23	24	25	26	27	28	29	30	31	32	33

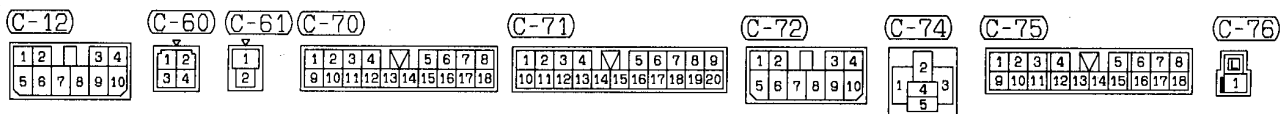
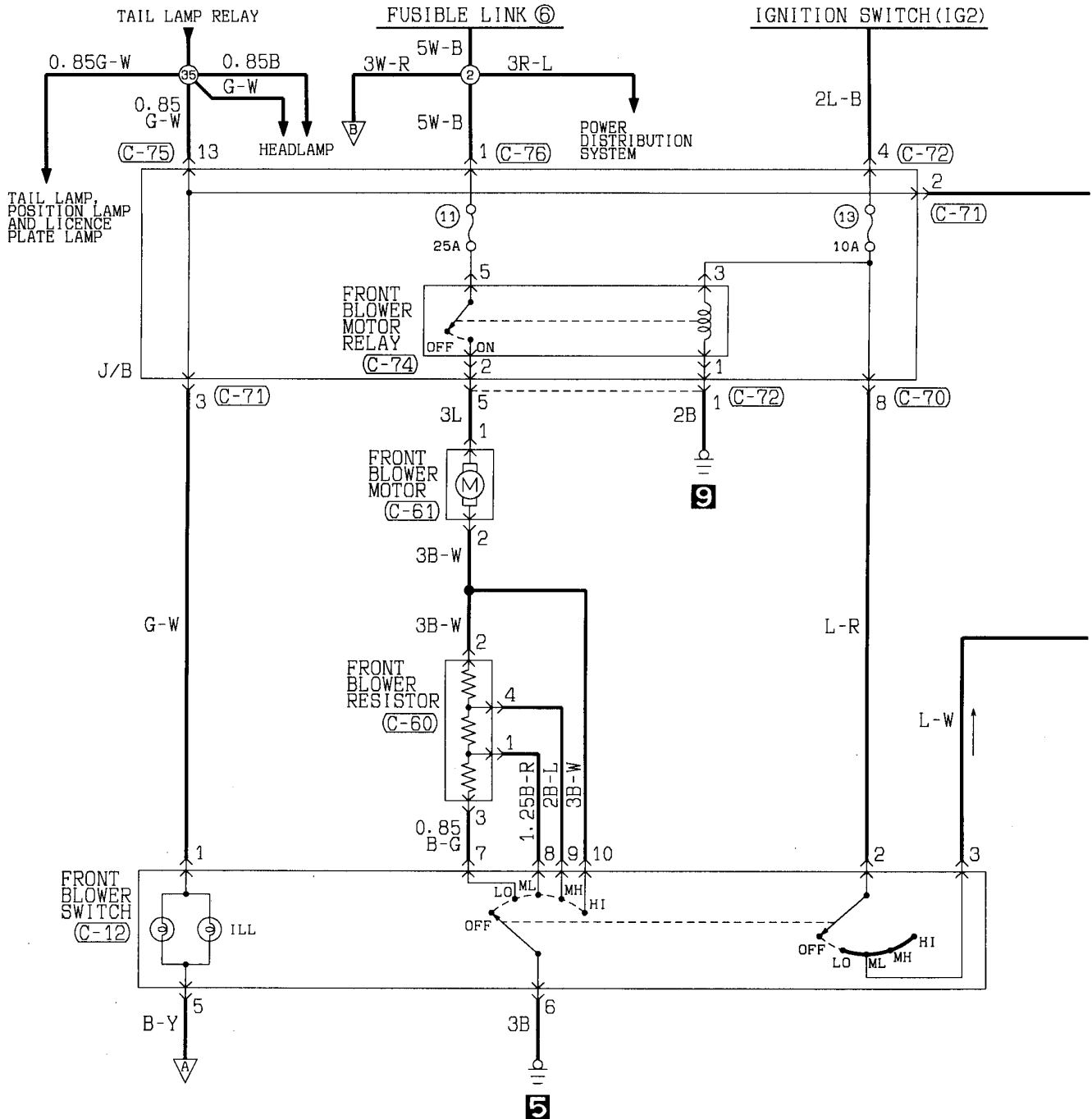
D-28

1	2	3	4	5	6	7	8	9	10		
11	12	13	14	15	16	17	18	19	20	21	22

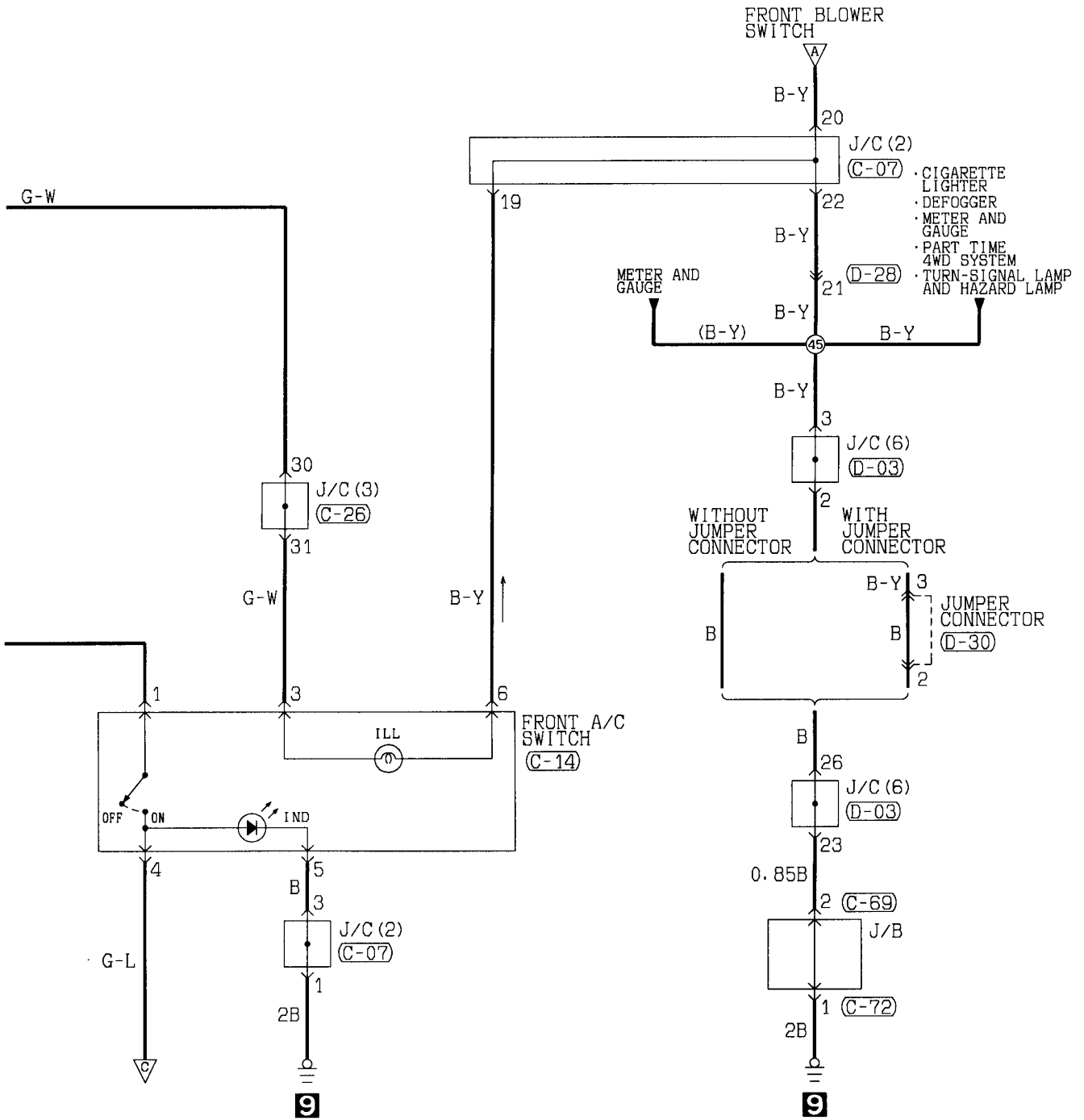
SINGLE AIR CONDITIONER

120002398

<Electronically-controlled carburettor>



Wire colour code  
 B:Black LG:Light green G:Green L:Blue W:White Y:Yellow SB:Sky blue  
 BR:Brown O:Orange GR:Gray R:Red P:Pink V:Violet



(C-07)

1	2	3	4	5	6	7	8	9	10	11
12	13	14	15	16	17	18	19	20	21	22
23	24	25	26	27	28	29	30	31	32	33

(C-14)

1	2
3	4
5	6

(C-26)

1	2	3	4	5	6	7	8	9	10	11
12	13	14	15	16	17	18	19	20	21	22
23	24	25	26	27	28	29	30	31	32	33

(C-69)

1	2	3	4	5	6	7	8	9	10
11	12	13	14	15	16	17	18	19	20
21	22								

(C-72)

1	2	3	4
5	6	7	8
9	10		

(D-03)

1	2	3	4	5	6	7	8	9	10	11
12	13	14	15	16	17	18	19	20	21	22
23	24	25	26	27	28	29	30	31	32	33

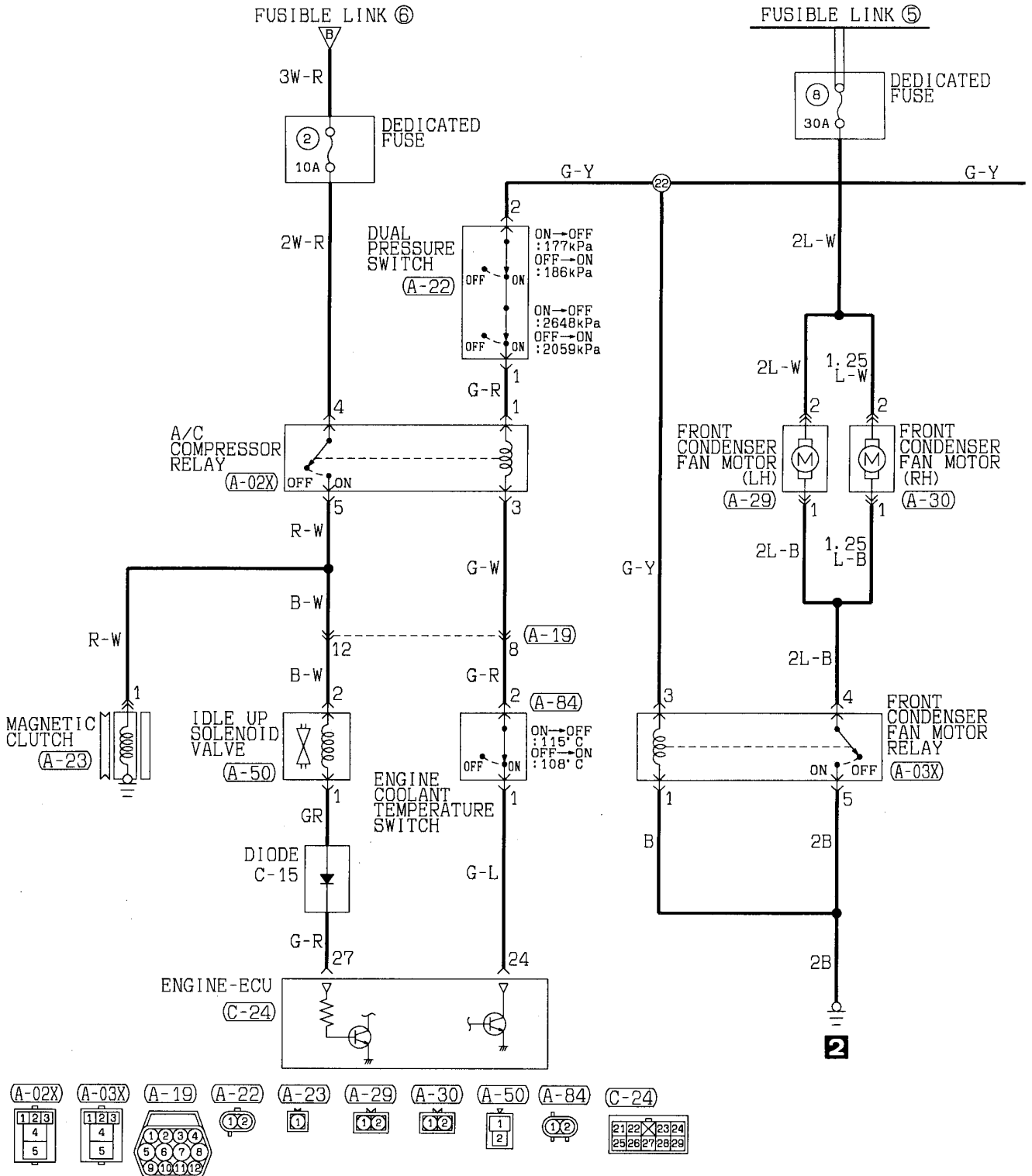
(D-28)

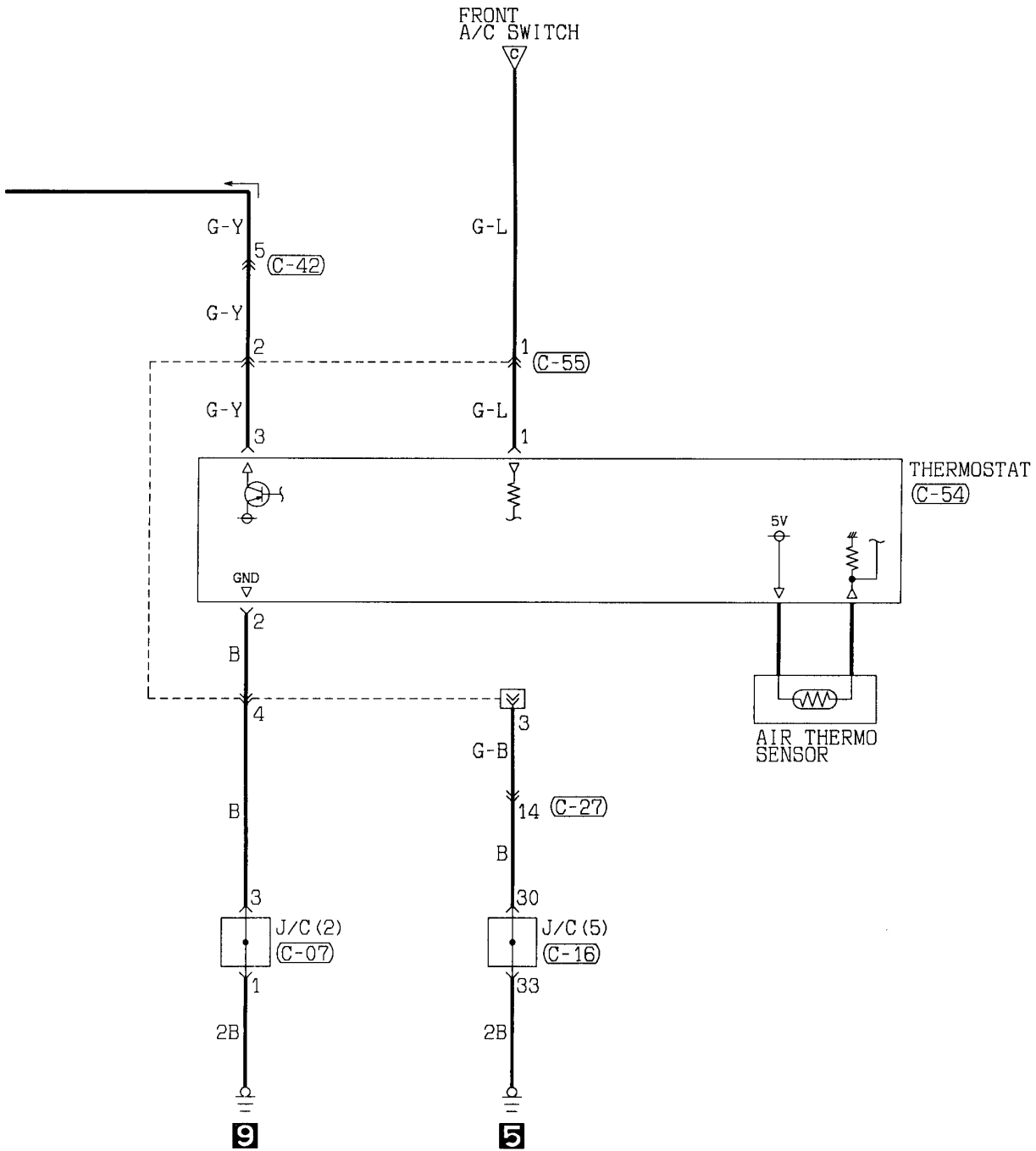
1	2	3	4	5	6	7	8	9	10
11	12	13	14	15	16	17	18	19	20
21	22								

(D-30)

1	2	3	4
---	---	---	---

SINGLE AIR CONDITIONER <Electronically-controlled carburettor> (CONTINUED)





C-07

1	2	3	4	5	6	7	8	9	10	11
12	13	14	15	16	17	18	19	20	21	22
23	24	25	26	27	28	29	30	31	32	33

C-16

1	2	3	4	5	6	7	8	9	10	11
12	13	14	15	16	17	18	19	20	21	22
23	24	25	26	27	28	29	30	31	32	33

C-27

1	2	3	4	5	6	7	8	9		
10	11	12	13	14	15	16	17	18	19	20

C-42

1	2	3	4	5	6	7	8	9	10		
11	12	13	14	15	16	17	18	19	20	21	22

C-54

1	2	3
---	---	---

C-55

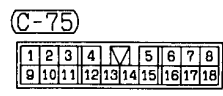
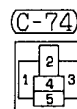
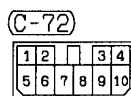
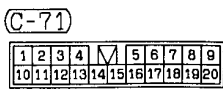
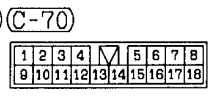
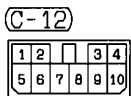
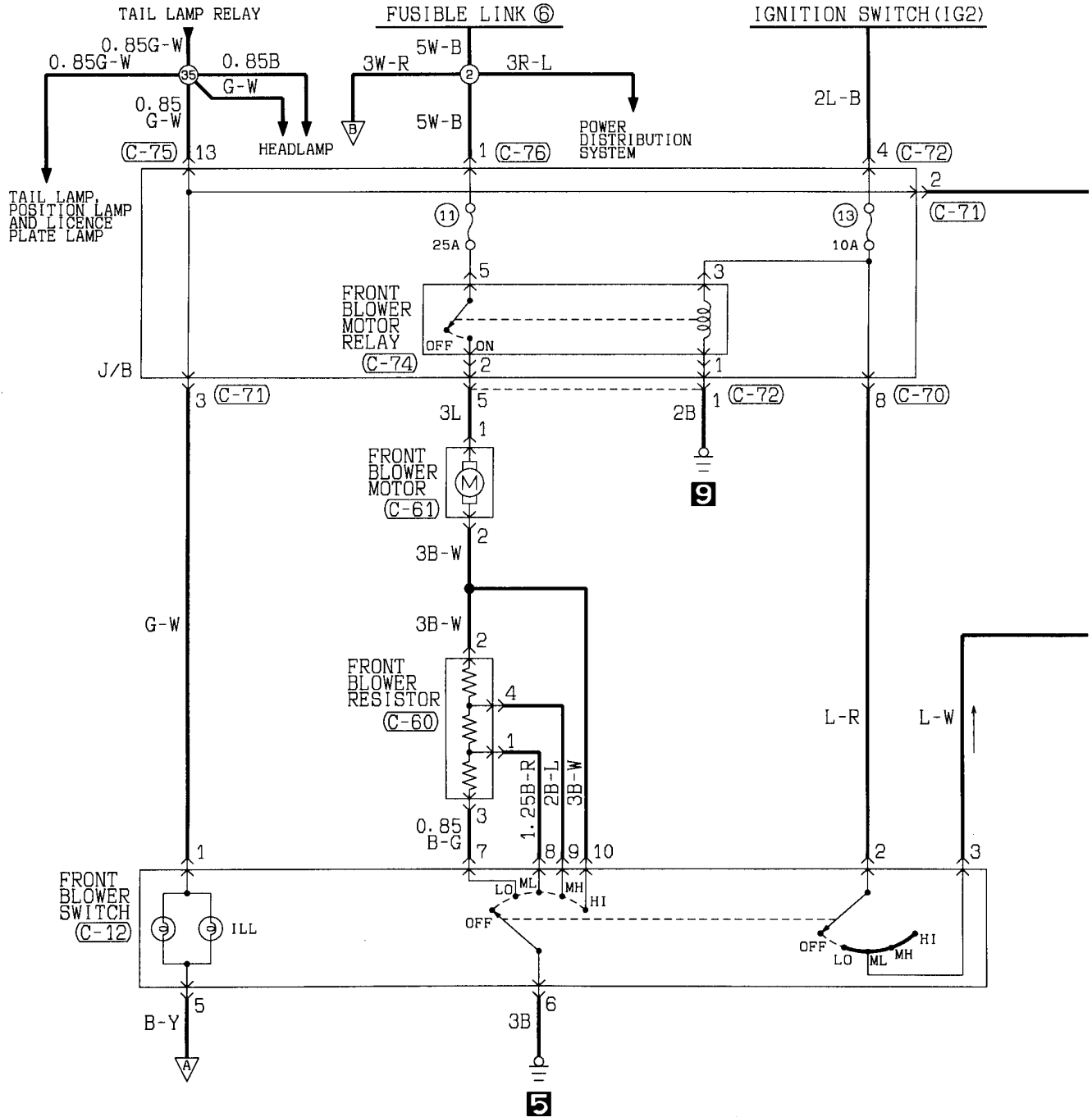
1	2	3	4
---	---	---	---

Wire colour code  
 B:Black LG:Light green G:Green L:Blue W:White Y:Yellow SB:Sky blue  
 BR:Brown O:Orange GR:Gray R:Red P:Pink V:Violet

SINGLE AIR CONDITIONER

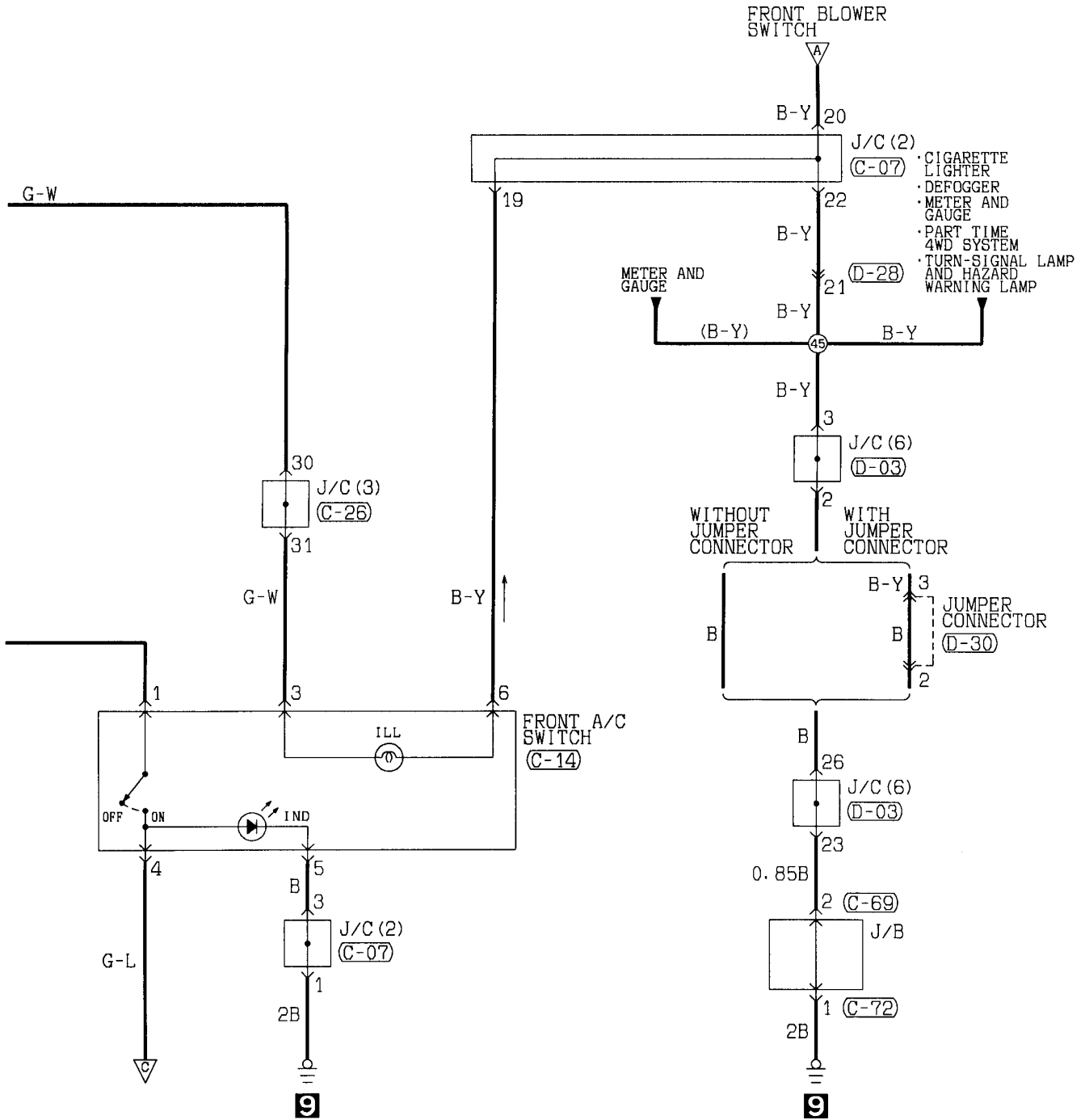
120002399

MPI



Wire colour code  
 B:Black LG:Light green G:Green L:Blue W:White Y:Yellow SB:Sky blue  
 BR:Brown O:Orange GR:Gray R:Red P:Pink V:Violet





C-07

1	2	3	4	5	6	7	8	9	10	11
12	13	14	15	16	17	18	19	20	21	22
23	24	25	26	27	28	29	30	31	32	33

C-14

1	2
3	4
5	6

C-26

1	2	3	4	5	6	7	8	9	10	11
12	13	14	15	16	17	18	19	20	21	22
23	24	25	26	27	28	29	30	31	32	33

C-69

1	2	3	4	5	6	7	8	9	10
11	12	13	14	15	16	17	18	19	20
21	22								

C-72

1	2	3	4
5	6	7	8
9	10		

D-03

1	2	3	4	5	6	7	8	9	10	11
12	13	14	15	16	17	18	19	20	21	22
23	24	25	26	27	28	29	30	31	32	33

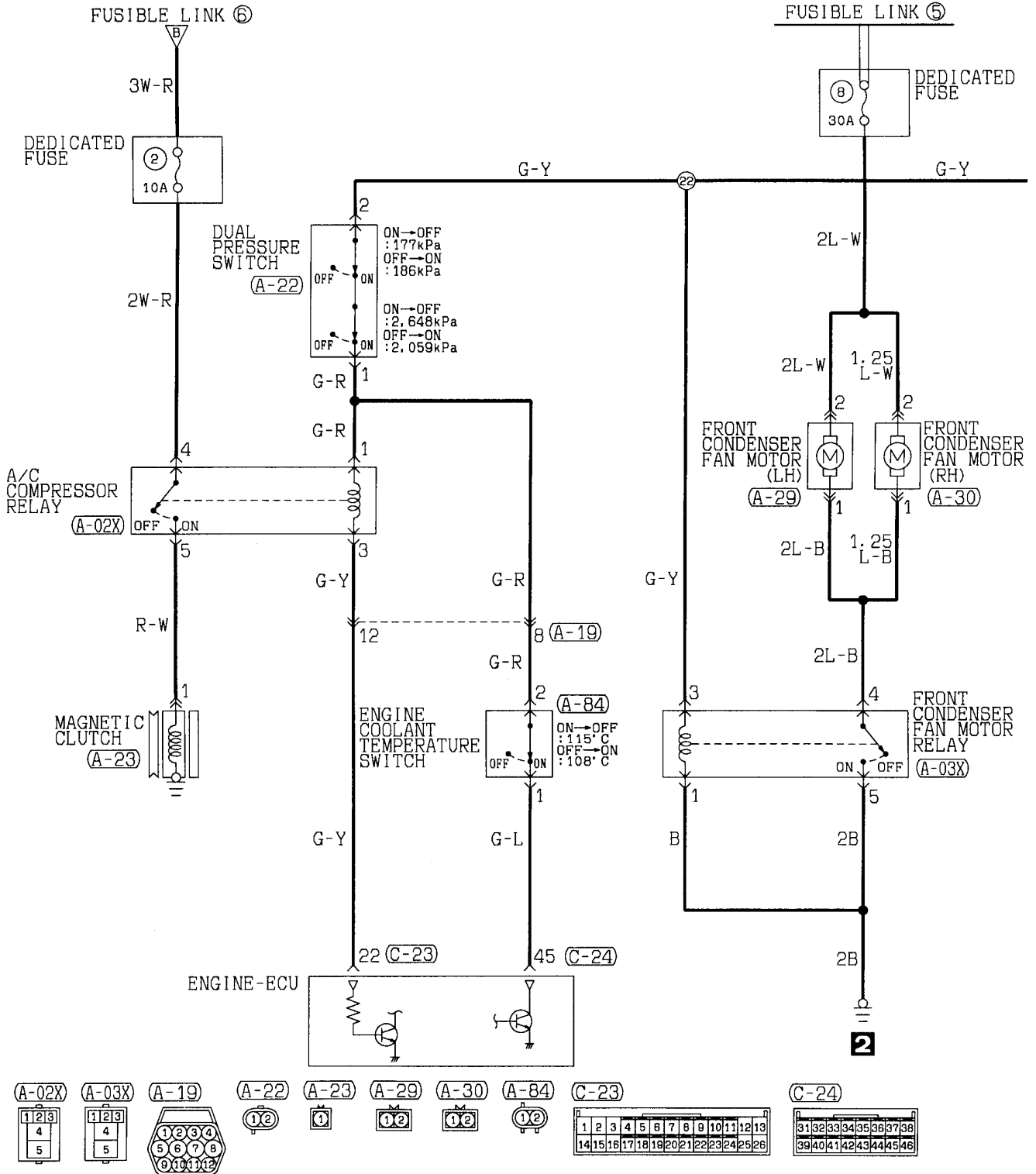
D-28

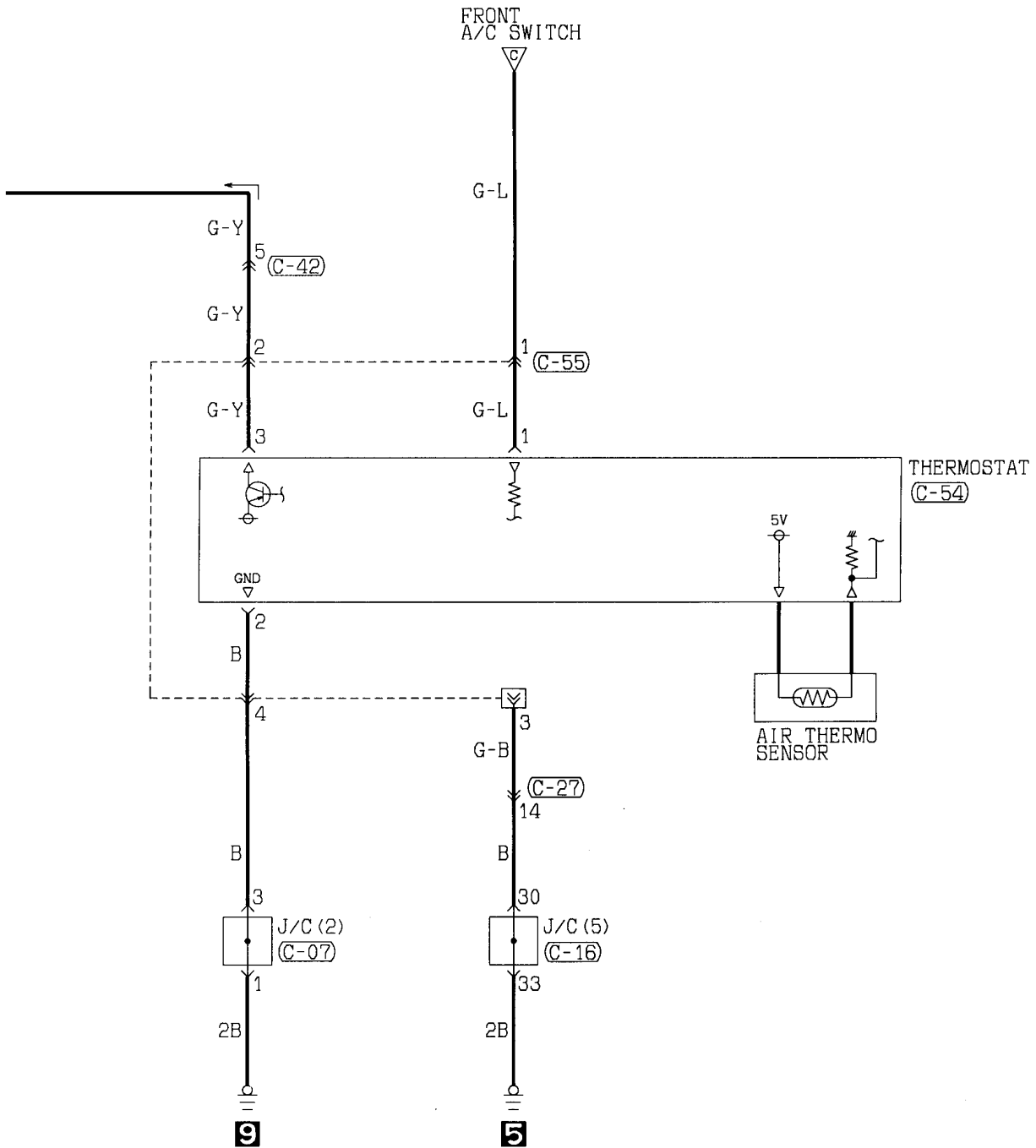
1	2	3	4	5	6	7	8	9	10
11	12	13	14	15	16	17	18	19	20
21	22								

D-30

1	2	3	4
---	---	---	---

SINGLE AIR CONDITIONER <MPI> (CONTINUED)





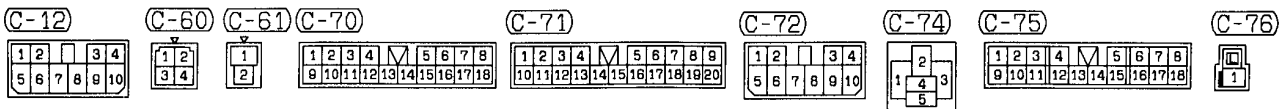
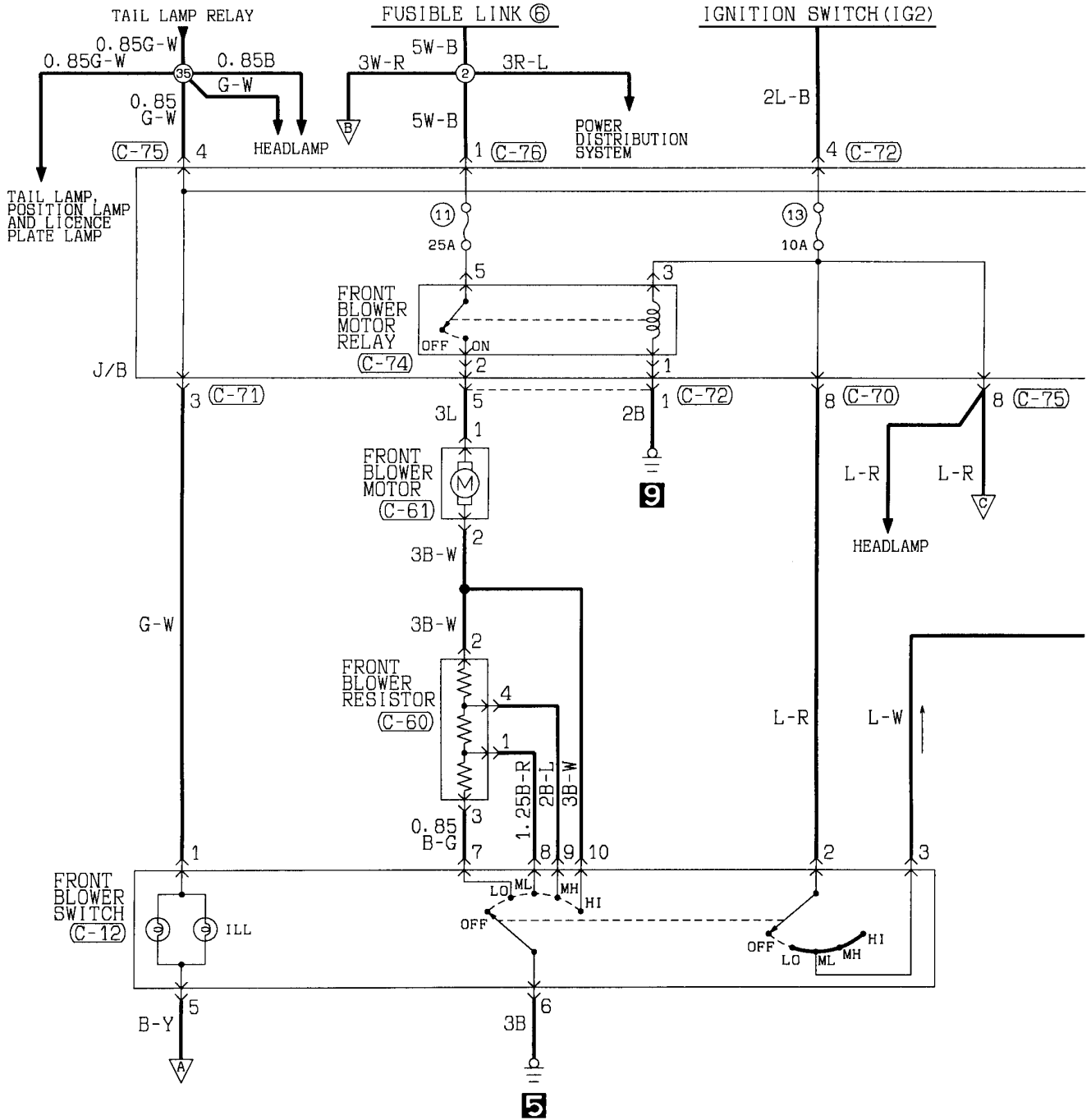
<b>(C-07)</b>	<b>(C-16)</b>	<b>(C-27)</b>	<b>(C-42)</b>	<b>(C-54)</b>	<b>(C-55)</b>
1 2 3 4 5 6 7 8 9 10 11 12 13 14 15 16 17 18 19 20 21 22 23 24 25 26 27 28 29 30 31 32 33	1 2 3 4 5 6 7 8 9 10 11 12 13 14 15 16 17 18 19 20 21 22 23 24 25 26 27 28 29 30 31 32 33	1 2 3 4 5 6 7 8 9 10 11 12 13 14 15 16 17 18 19 20	1 2 3 4 5 6 7 8 9 10 11 12 13 14 15 16 17 18 19 20 21 22	1 2 3	1 2 3 4

Wire colour code  
 B:Black LG:Light green G:Green L:Blue W:White Y:Yellow SB:Sky blue  
 BR:Brown O:Orange GR:Gray R:Red P:Pink V:Violet

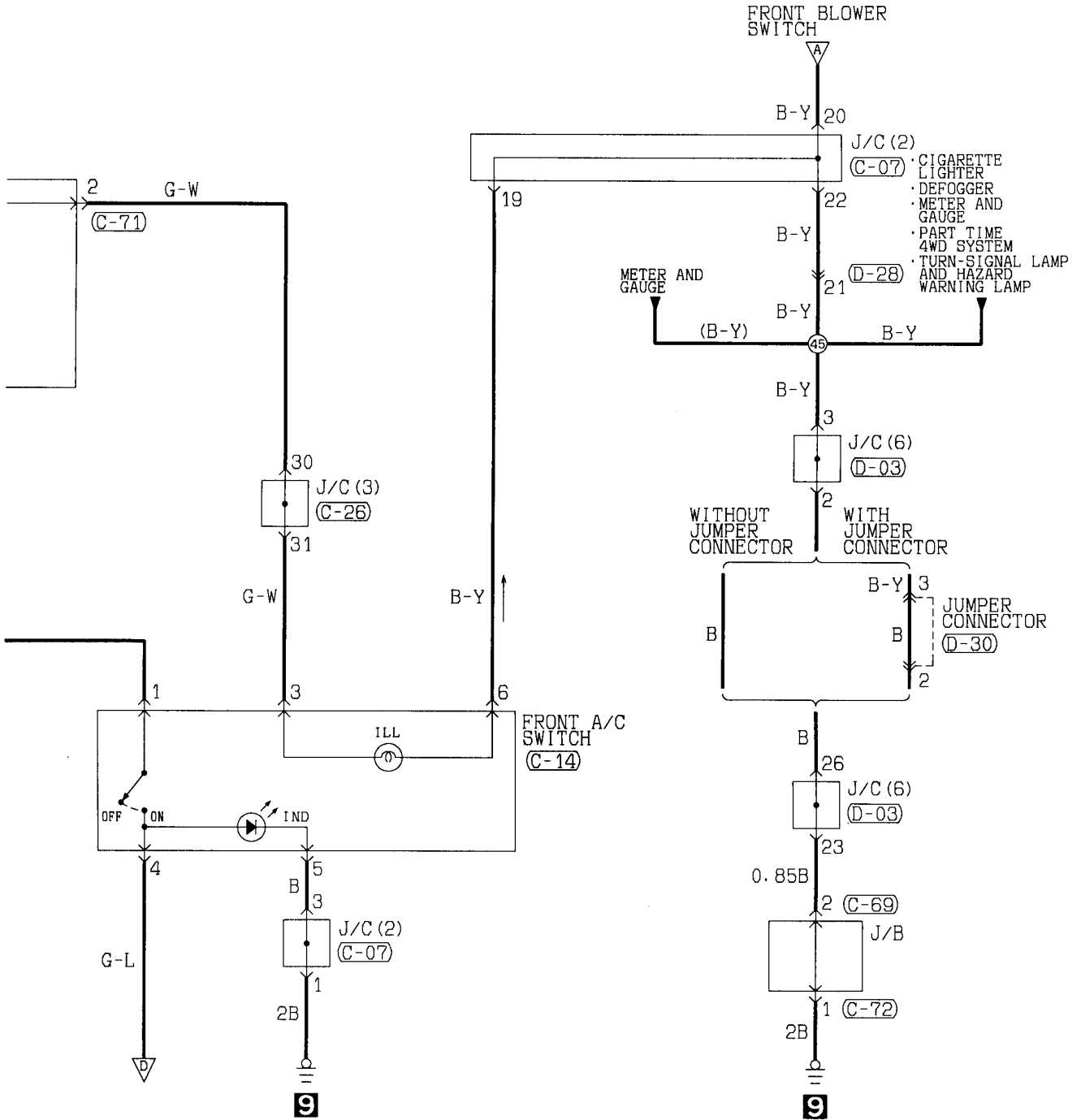
SINGLE AIR CONDITIONER

120002400

Diesel



Wire colour code  
 B:Black LG:Light green G:Green L:Blue W:White Y:Yellow SB:Sky blue  
 BR:Brown O:Orange GR:Gray R:Red P:Pink V:Violet



(C-07)

1	2	3	4	5	6	7	8	9	10	11
12	13	14	15	16	17	18	19	20	21	22
23	24	25	26	27	28	29	30	31	32	33

(C-14)

1	2
3	4
5	6

(C-26)

1	2	3	4	5	6	7	8	9	10	11
12	13	14	15	16	17	18	19	20	21	22
23	24	25	26	27	28	29	30	31	32	33

(C-69)

1	2	3	4	5	6	7	8	9	10
11	12	13	14	15	16	17	18	19	20
21	22								

(C-71)

1	2	3	4	5	6	7	8	9
10	11	12	13	14	15	16	17	18
19	20							

(C-72)

1	2	3	4
5	6	7	8
9	10		

(D-03)

1	2	3	4	5	6	7	8	9	10	11
12	13	14	15	16	17	18	19	20	21	22
23	24	25	26	27	28	29	30	31	32	33

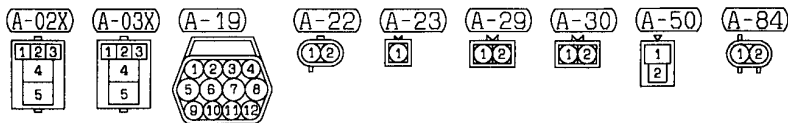
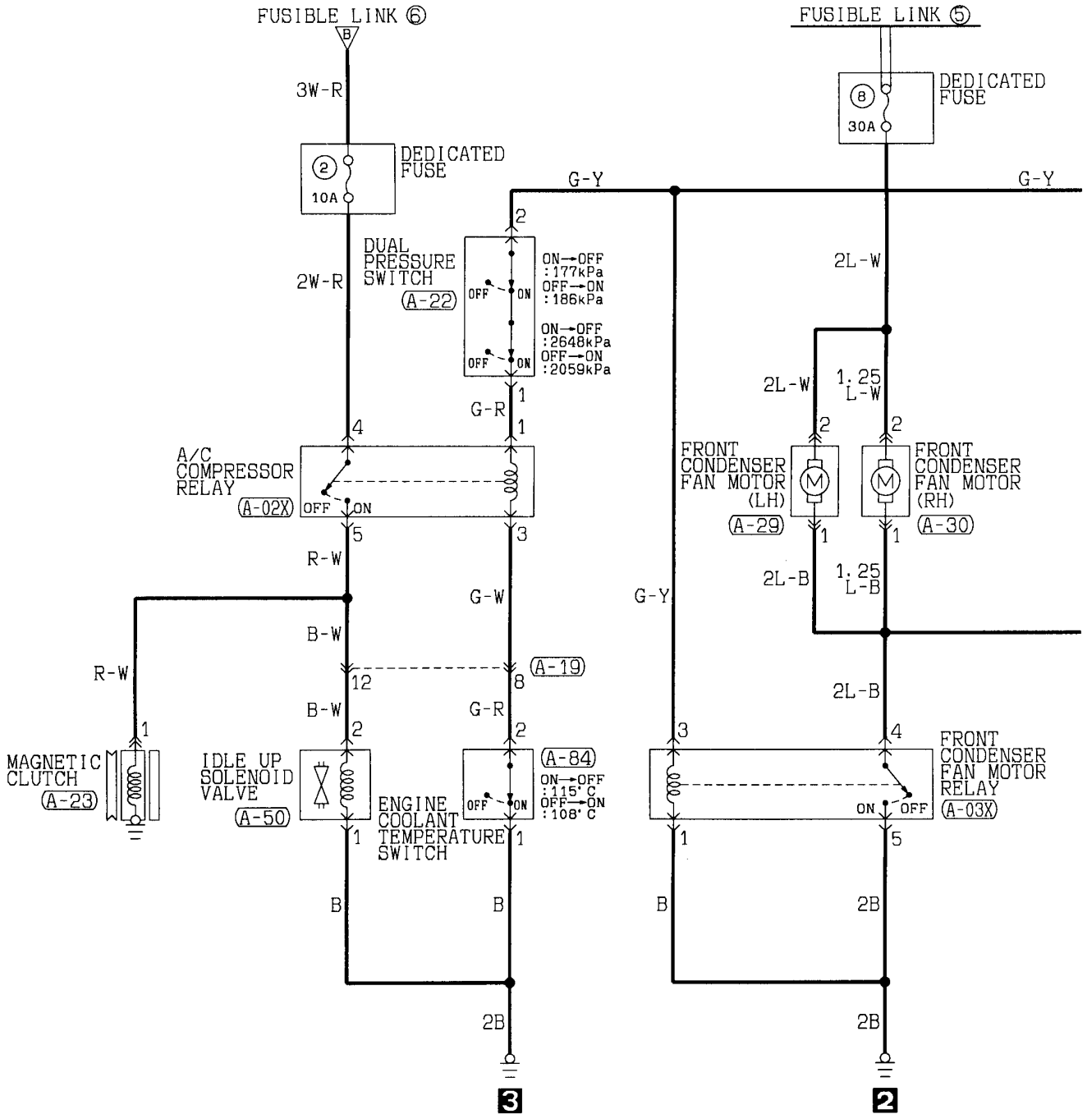
(D-28)

1	2	3	4	5	6	7	8	9	10
11	12	13	14	15	16	17	18	19	20
21	22								

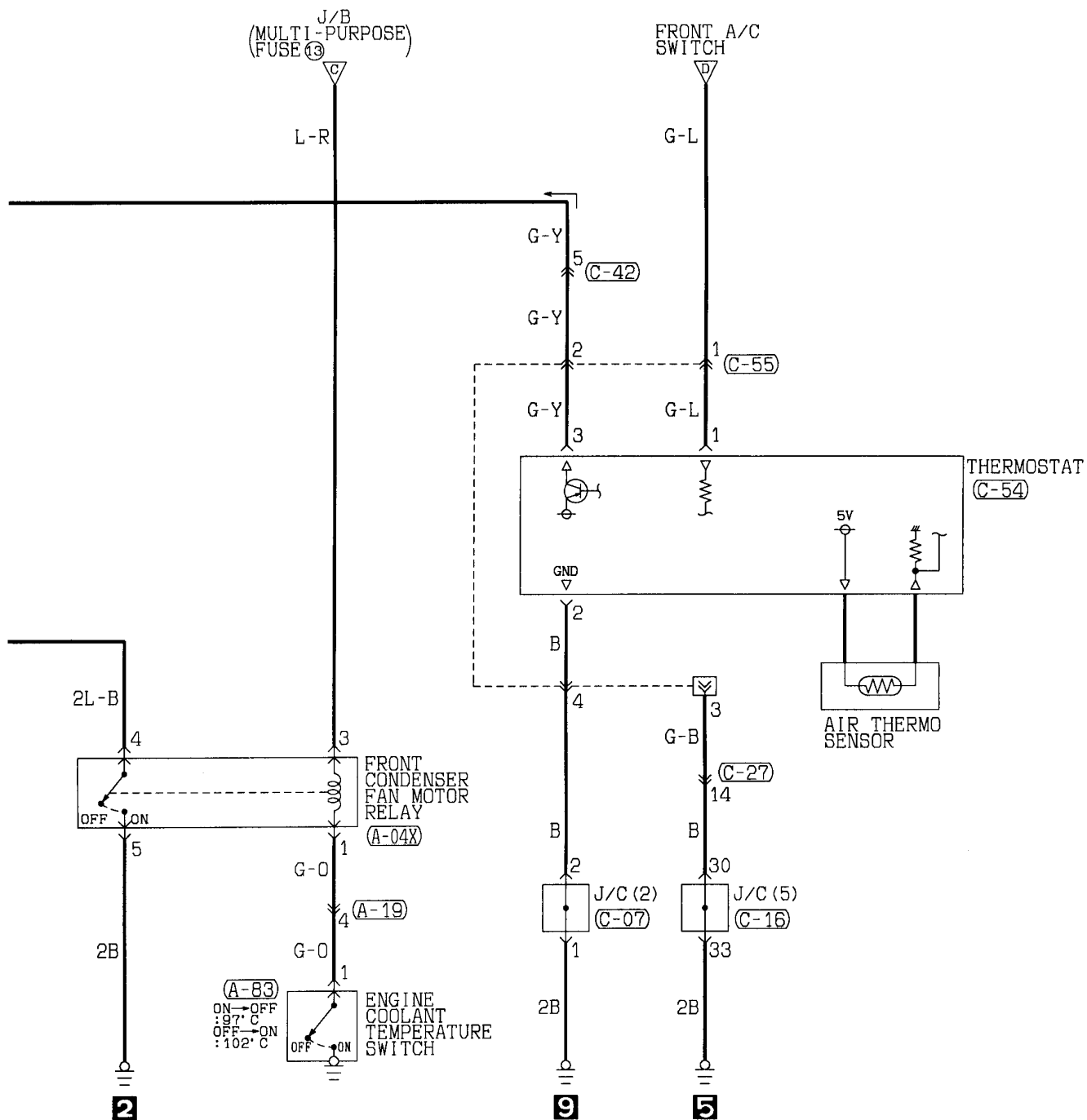
(D-30)

1	2	3	4
---	---	---	---

SINGLE AIR CONDITIONER <Diesel> (CONTINUED)



Wire colour code  
 B:Black LG:Light green G:Green L:Blue W:White Y:Yellow SB:Sky blue  
 BR:Brown O:Orange GR:Gray R:Red P:Pink V:Violet



(A-04X)

1	2	3
4		
5		

(A-19)

1	2	3	4
5	6	7	8
9	10	11	12

(A-83)

1
---

(C-07)

1	2	3	4	5	6	7	8	9	10	11
12	13	14	15	16	17	18	19	20	21	22
23	24	25	26	27	28	29	30	31	32	33

(C-16)

1	2	3	4	5	6	7	8	9	10	11
12	13	14	15	16	17	18	19	20	21	22
23	24	25	26	27	28	29	30	31	32	33

(C-27)

1	2	3	4	5	6	7	8	9		
10	11	12	13	14	15	16	17	18	19	20

(C-42)

1	2	3	4	5	6	7	8	9	10		
11	12	13	14	15	16	17	18	19	20	21	22

(C-54)

1	2	3
---	---	---

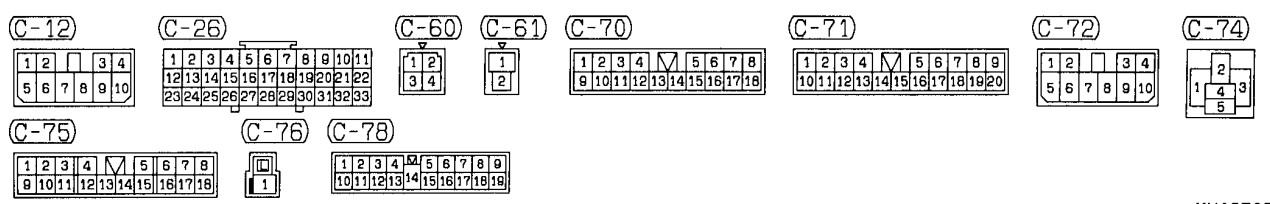
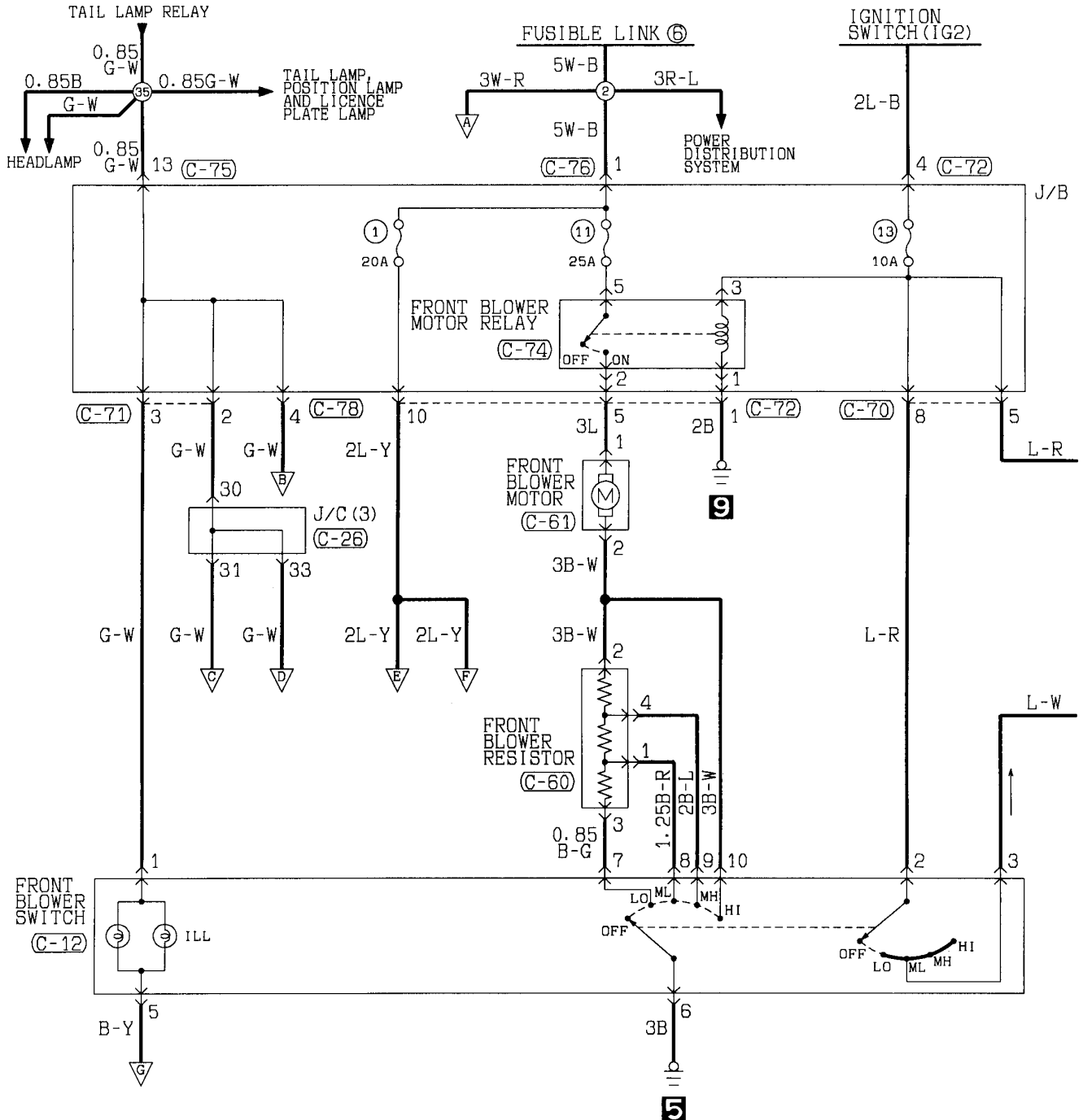
(C-55)

1	2	3	4
---	---	---	---

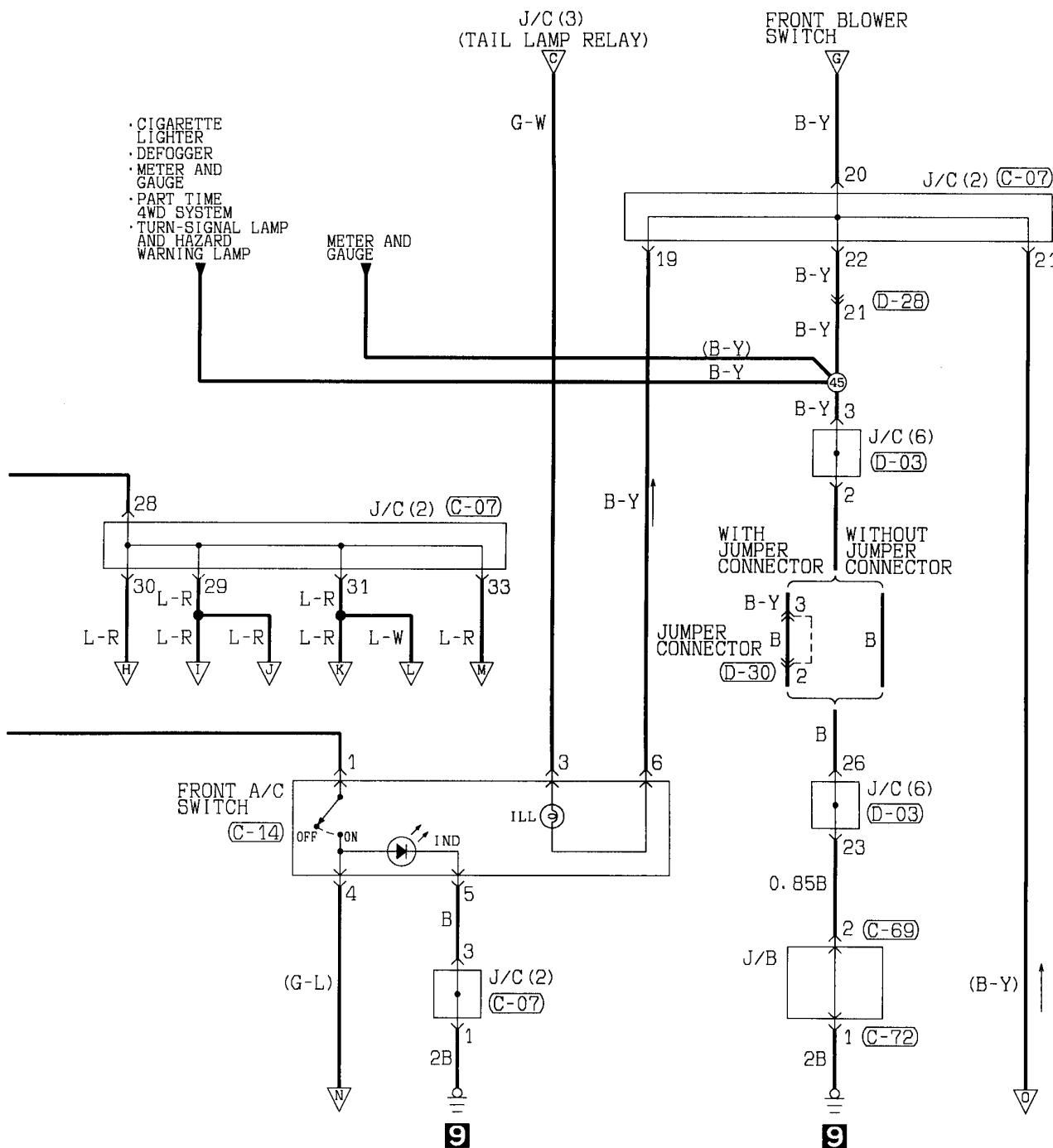
DUAL AIR CONDITIONER

120002401

Overhead type <Electronically-controlled carburettor>







**C-07**

1	2	3	4	5	6	7	8	9	10	11
12	13	14	15	16	17	18	19	20	21	22
23	24	25	26	27	28	29	30	31	32	33

**C-14**

1	2
3	4
5	6

**C-69**

1	2	3	4	5	6	7	8	9	10
11	12	13	14	15	16	17	18	19	20
21	22	23	24	25	26	27	28	29	30

**C-72**

1	2	3	4
5	6	7	8
9	10		

**D-03**

1	2	3	4	5	6	7	8	9	10	11
12	13	14	15	16	17	18	19	20	21	22
23	24	25	26	27	28	29	30	31	32	33

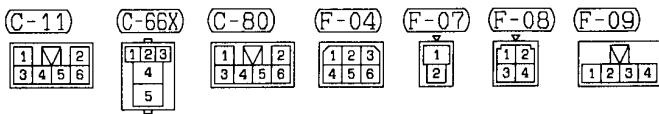
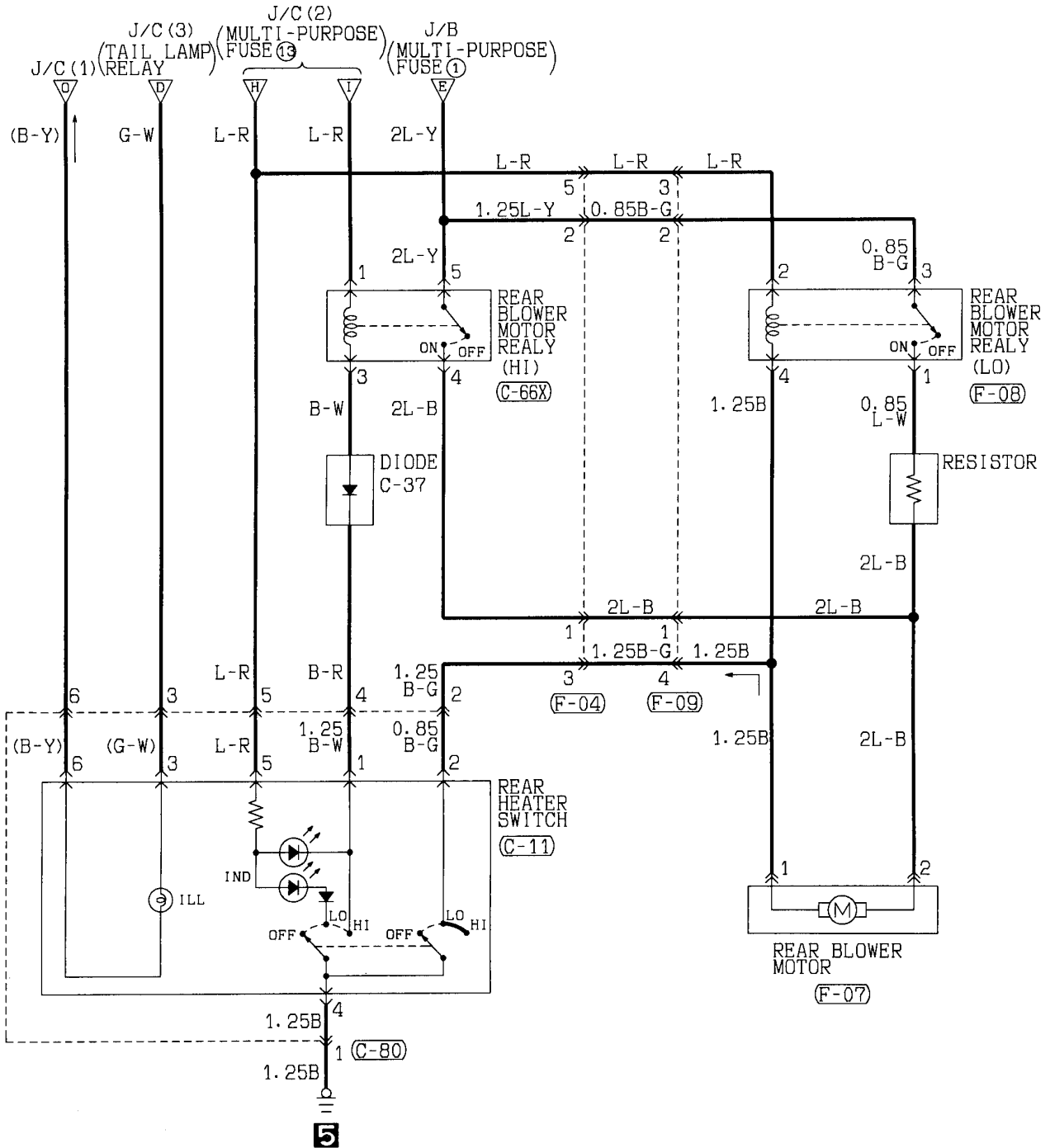
**D-28**

1	2	3	4	5	6	7	8	9	10
11	12	13	14	15	16	17	18	19	20
21	22								

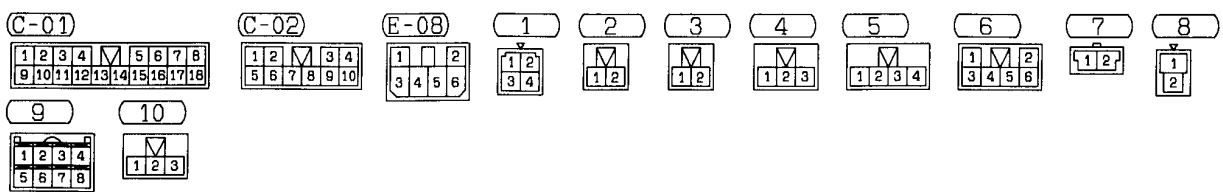
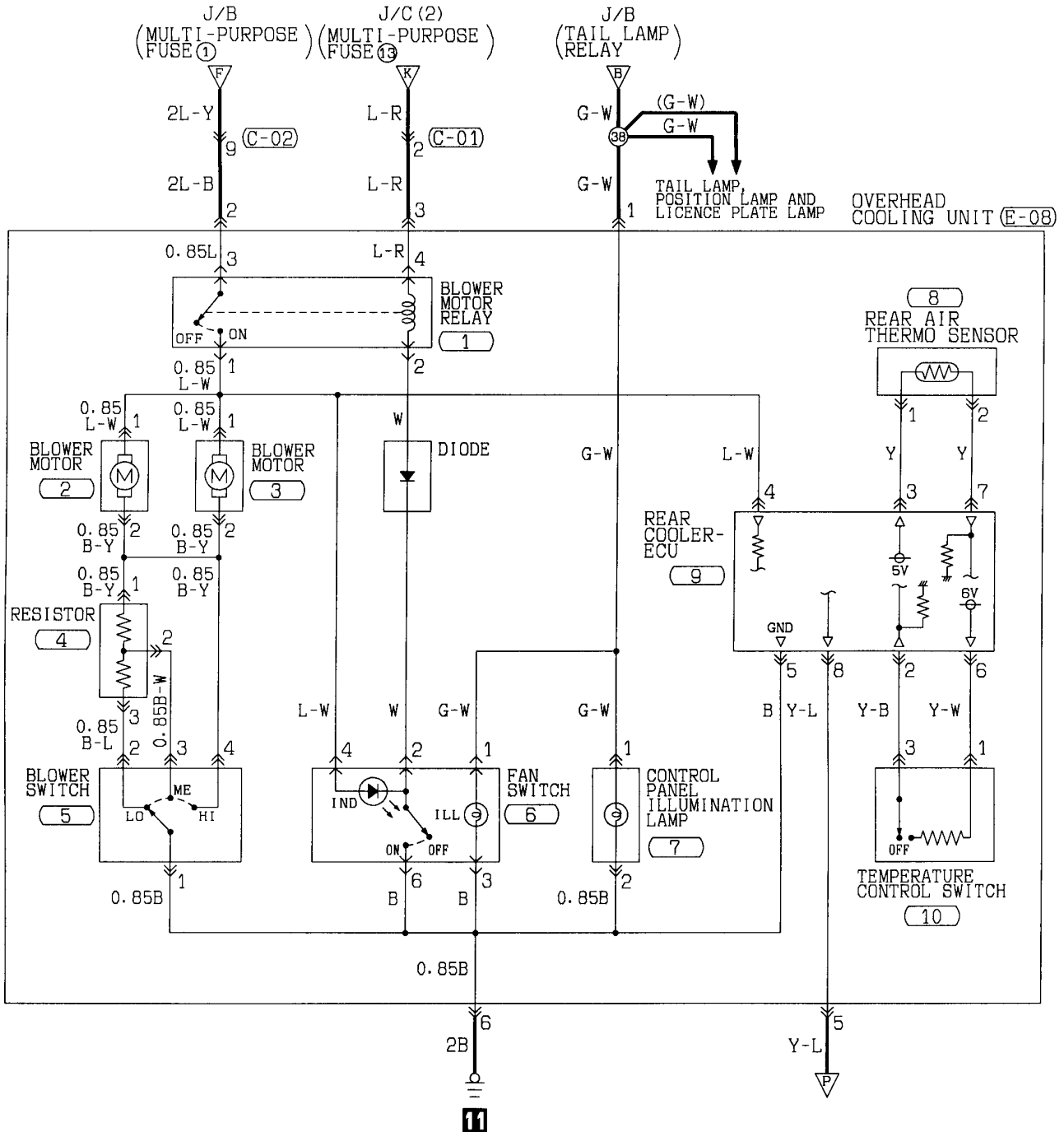
**D-30**

1	2	3	4
---	---	---	---

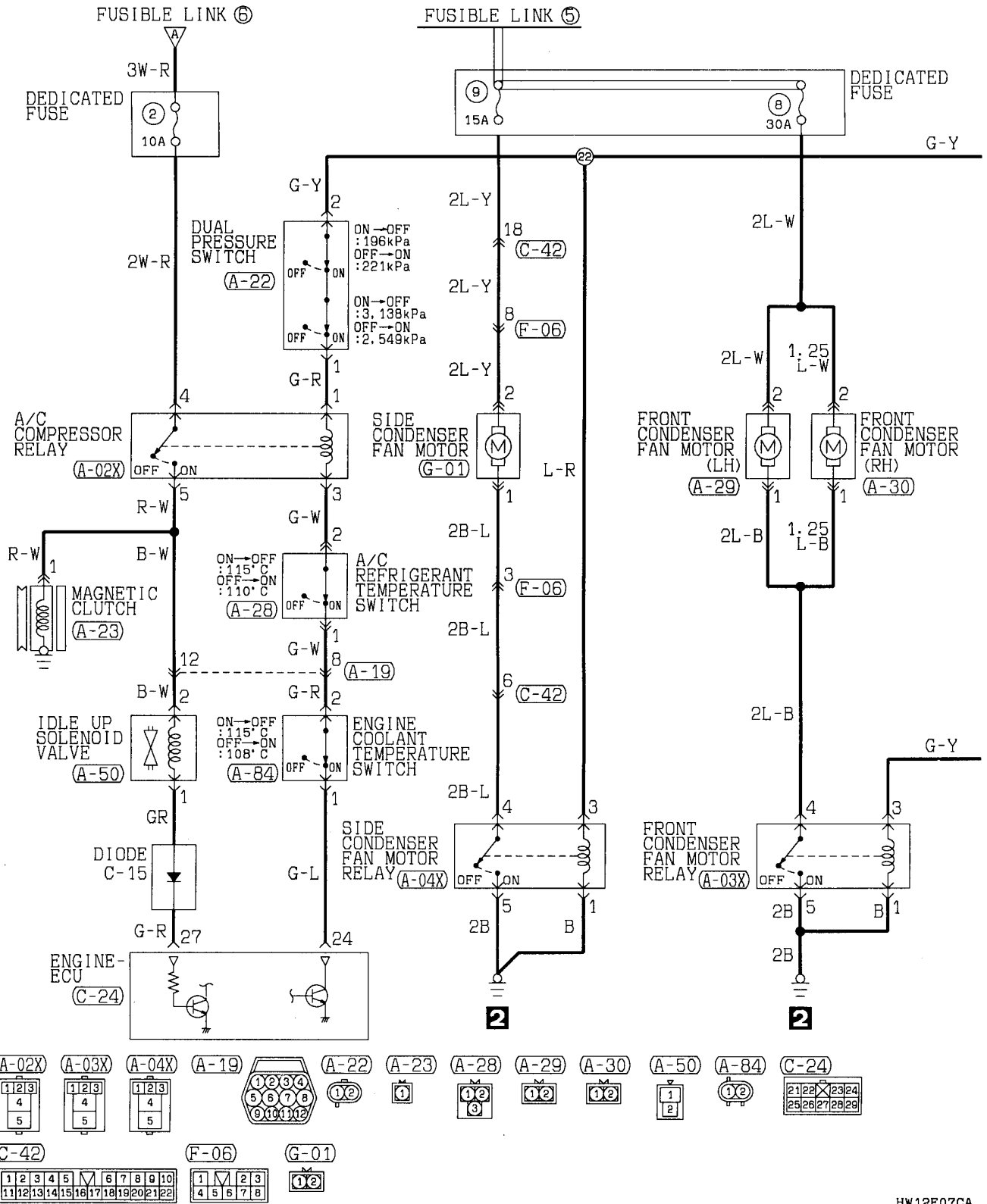
DUAL AIR CONDITIONER <Overhead type (Electronically-controlled carburettor)>  
(CONTINUED)

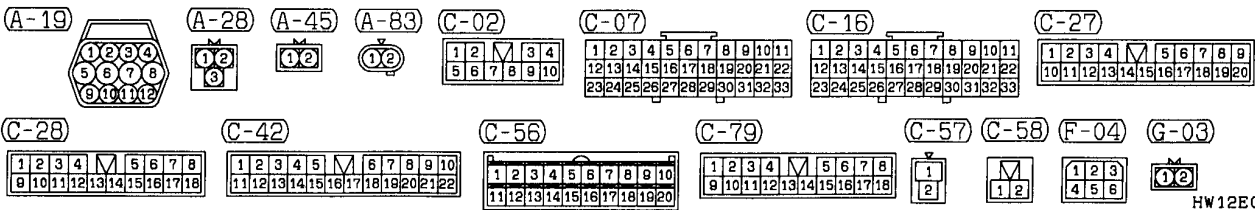
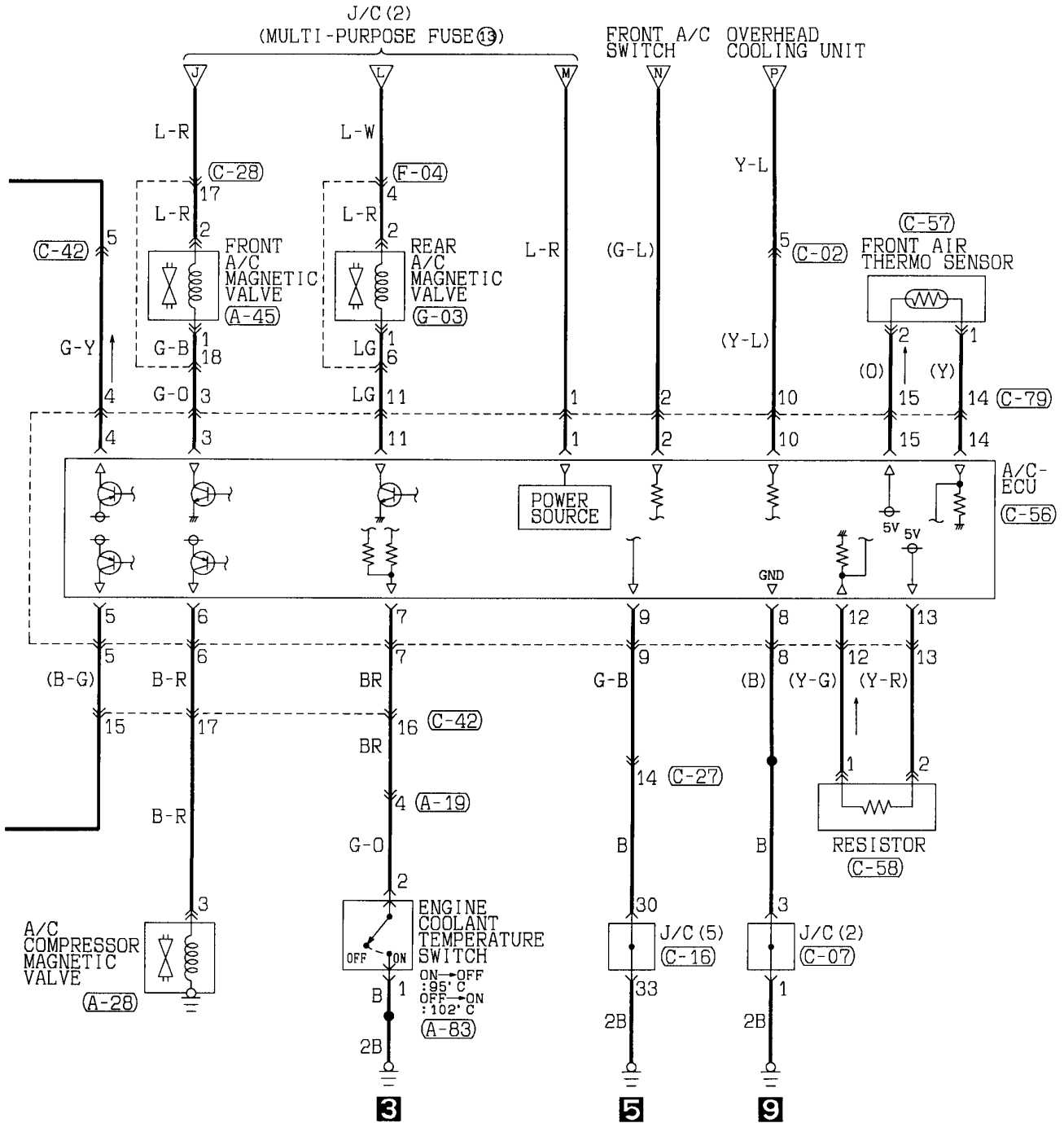


Wire colour code  
 B:Black LG:Light green G:Green L:Blue W:White Y:Yellow SB:Sky blue  
 BR:Brown O:Orange GR:Gray R:Red P:Pink V:Violet



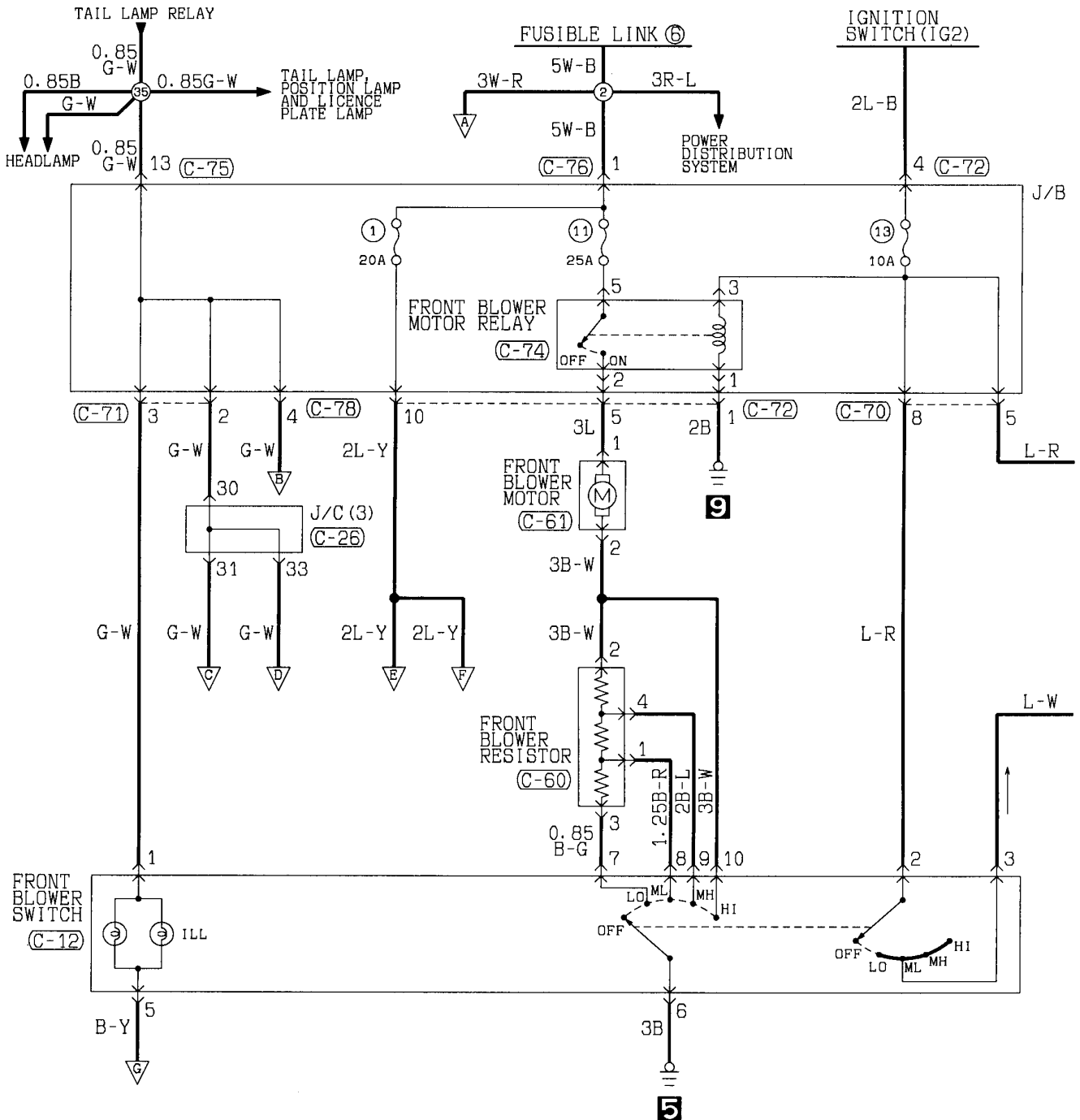
DUAL AIR CONDITIONER <Overhead type (Electronically-controlled carburettor)>  
(CONTINUED)



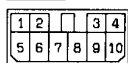


DUAL AIR CONDITIONER

<Overhead type (MPI)>



(C-12)



(C-26)



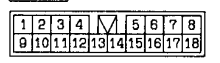
(C-60)



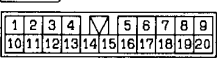
(C-61)



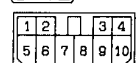
(C-70)



(C-71)



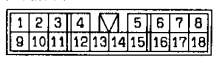
(C-72)



(C-74)



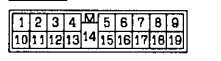
(C-75)

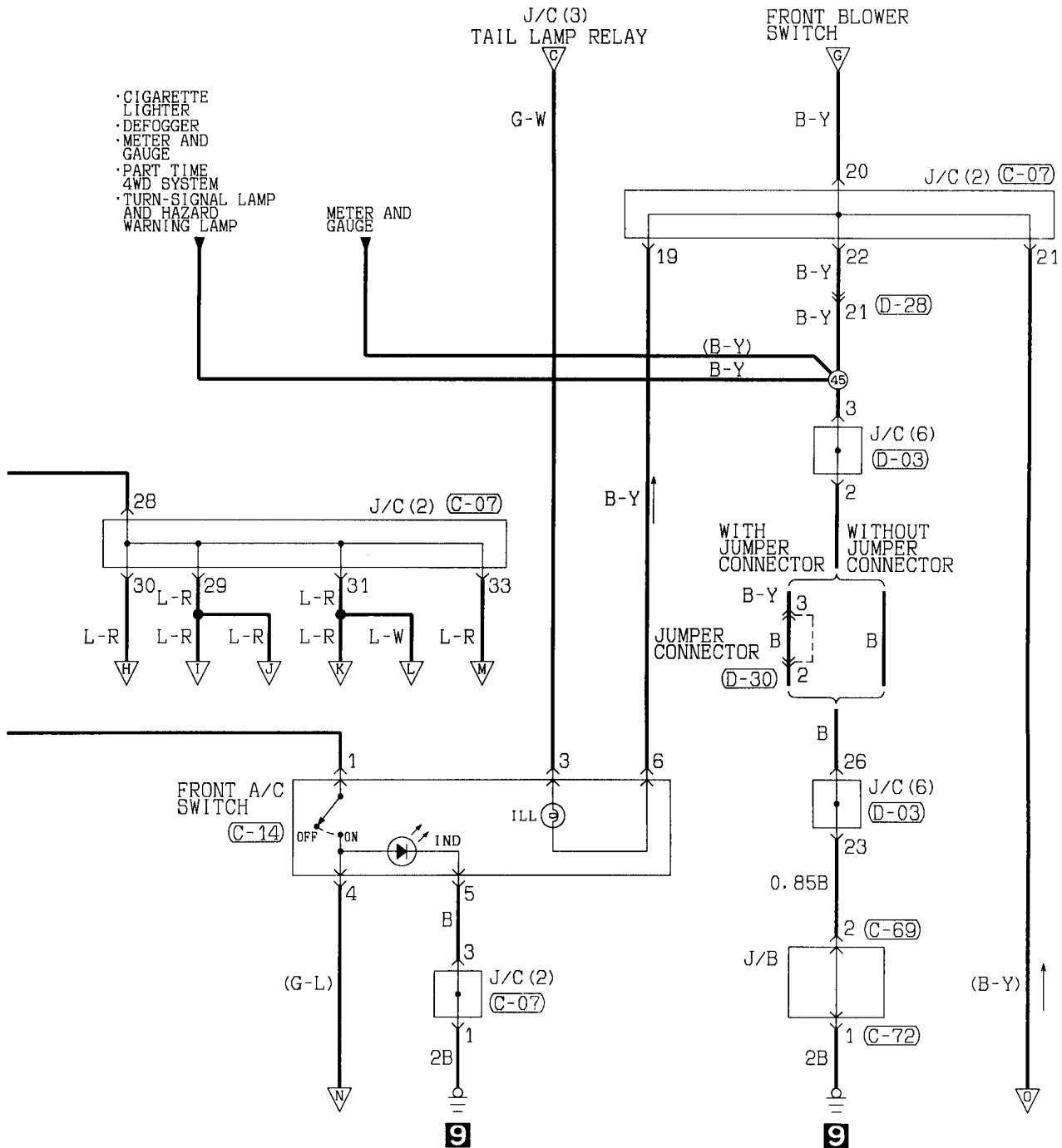


(C-76)



(C-78)





C-07

1	2	3	4	5	6	7	8	9	10	11
12	13	14	15	16	17	18	19	20	21	22
23	24	25	26	27	28	29	30	31	32	33

C-14

1	2
3	4
5	6

C-69

1	2	3	4	5	M	6	7	8	9	10	
11	12	13	14	15	16	17	18	19	20	21	22

C-72

1	2	3	4
5	6	7	8
9	10		

D-03

1	2	3	4	5	6	7	8	9	10	11
12	13	14	15	16	17	18	19	20	21	22
23	24	25	26	27	28	29	30	31	32	33

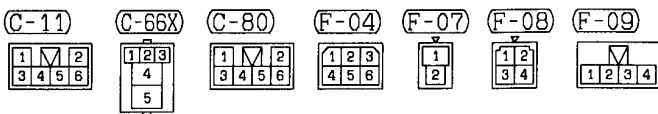
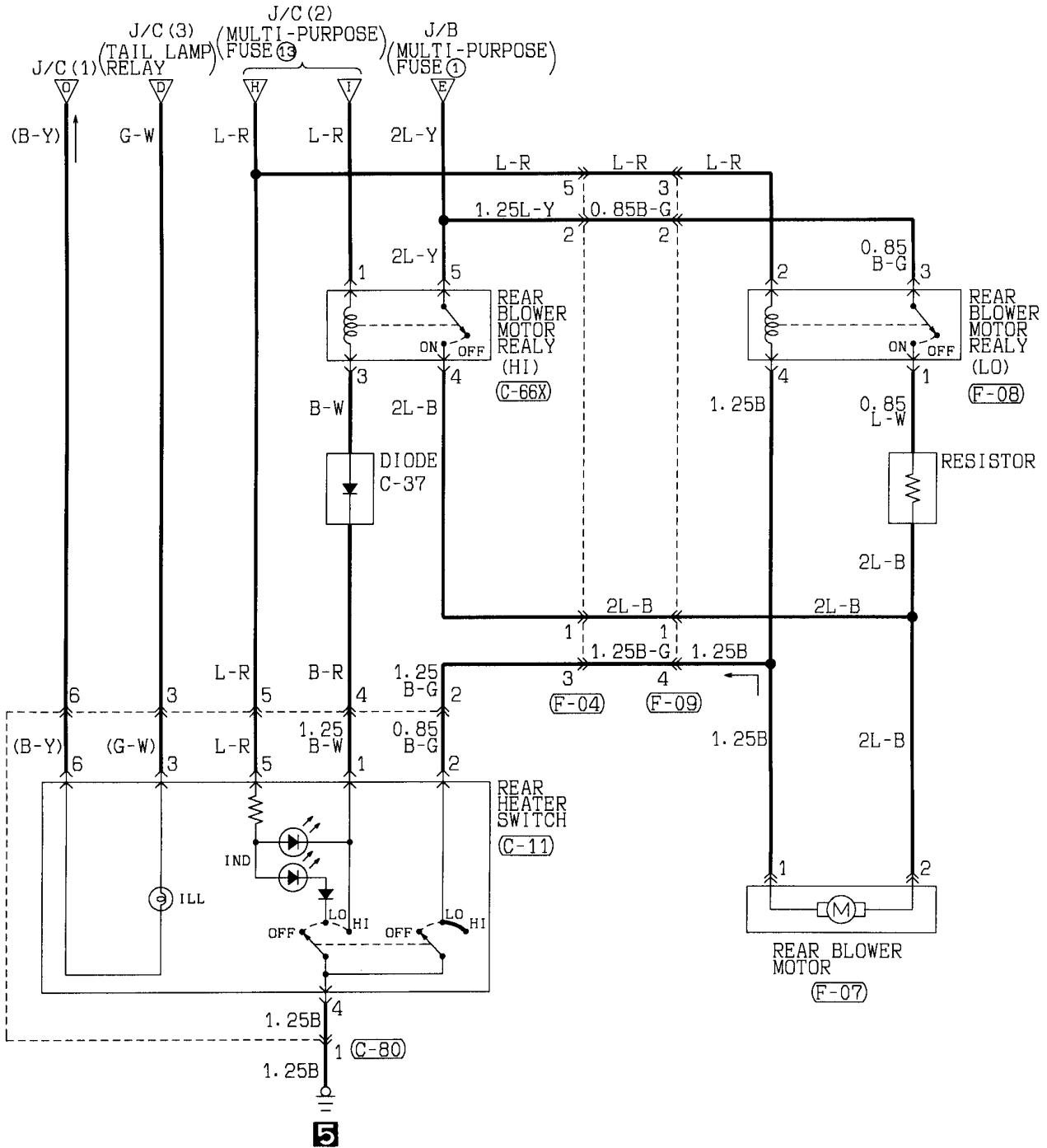
D-28

1	2	3	4	5	M	6	7	8	9	10	
11	12	13	14	15	16	17	18	19	20	21	22

D-30

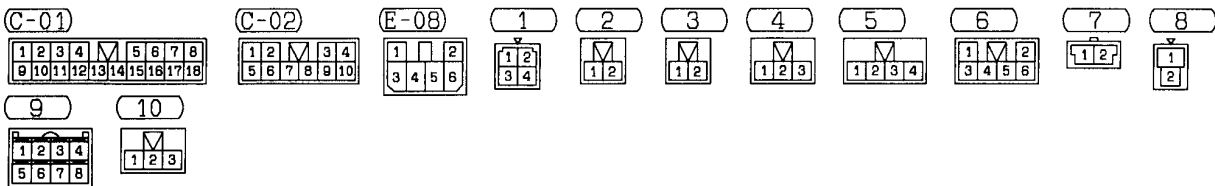
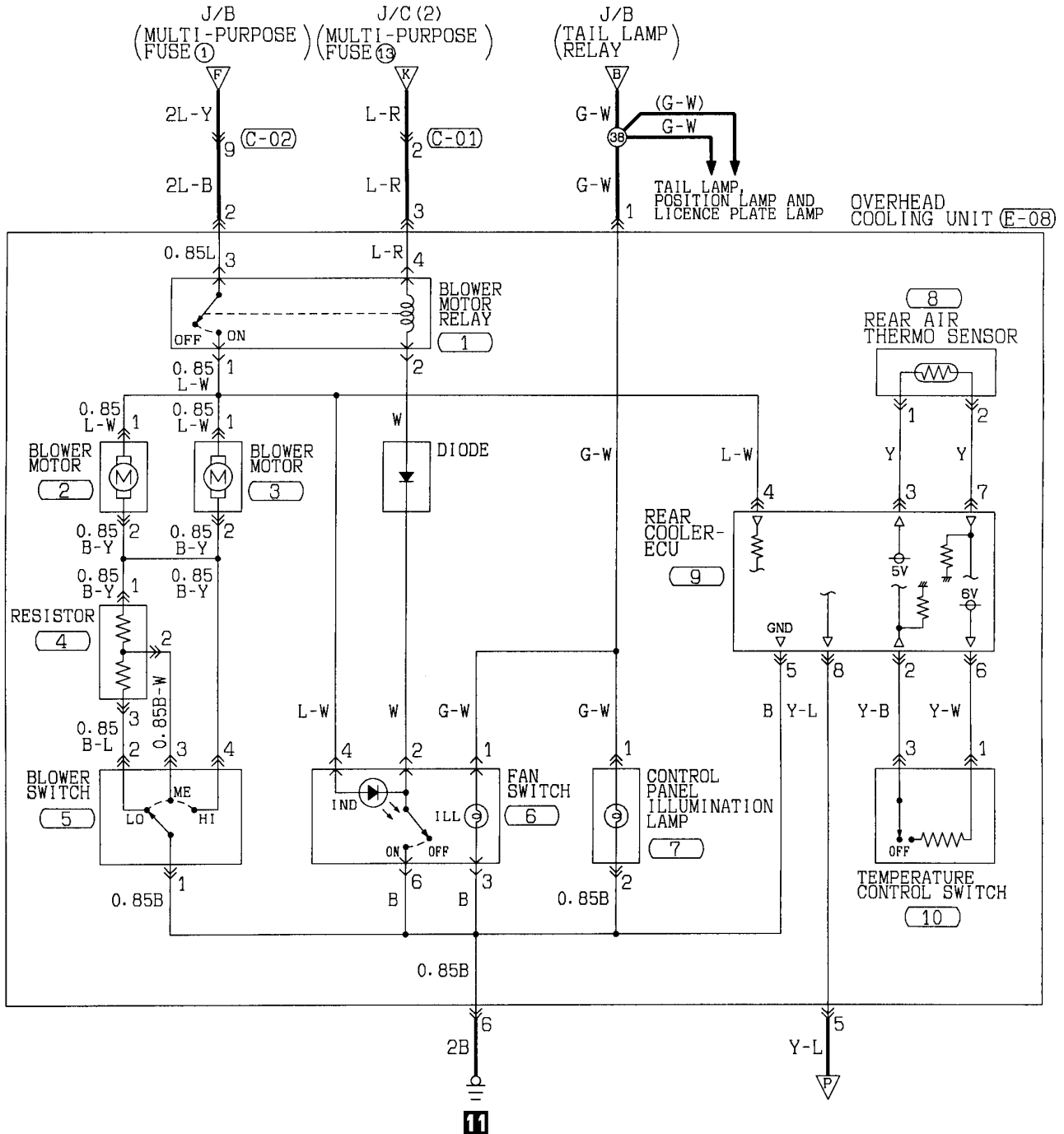
1	2	3	4
---	---	---	---

DUAL AIR CONDITIONER <Overhead type (MPI)> (CONTINUED)

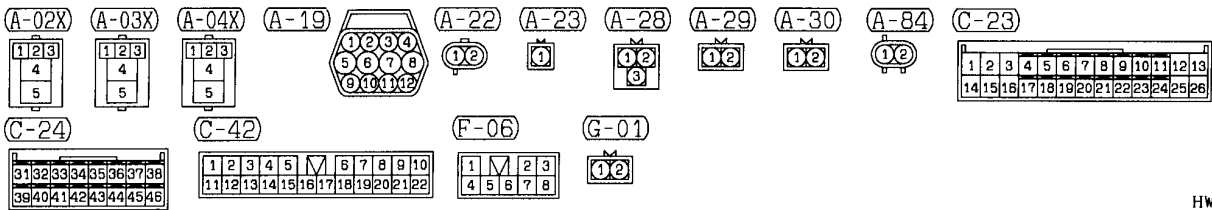
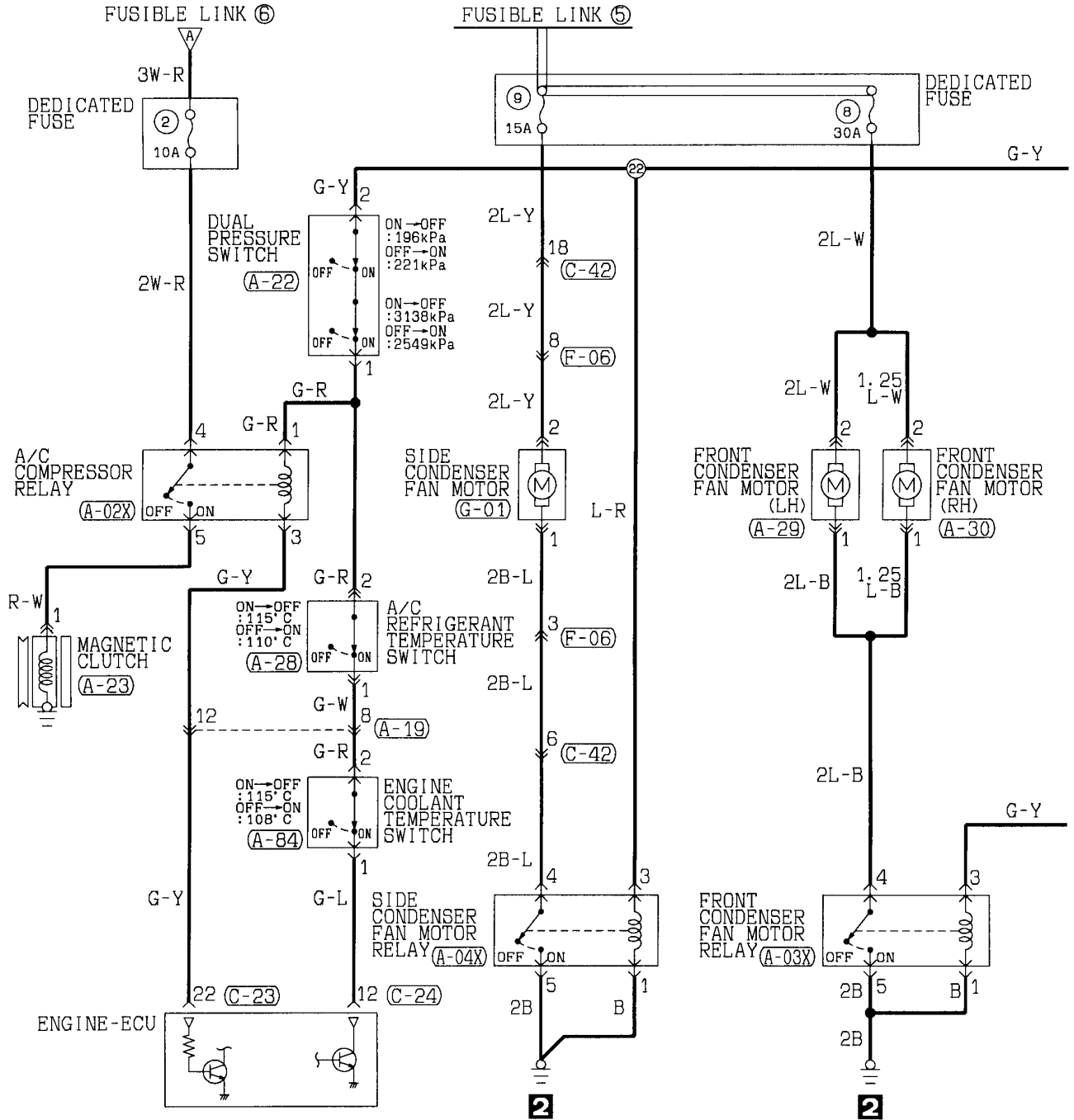


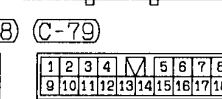
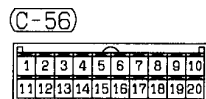
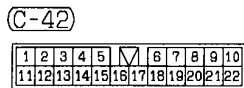
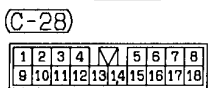
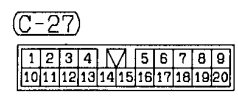
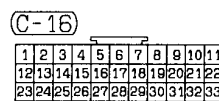
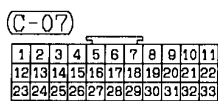
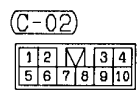
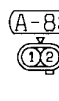
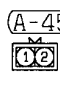
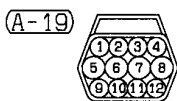
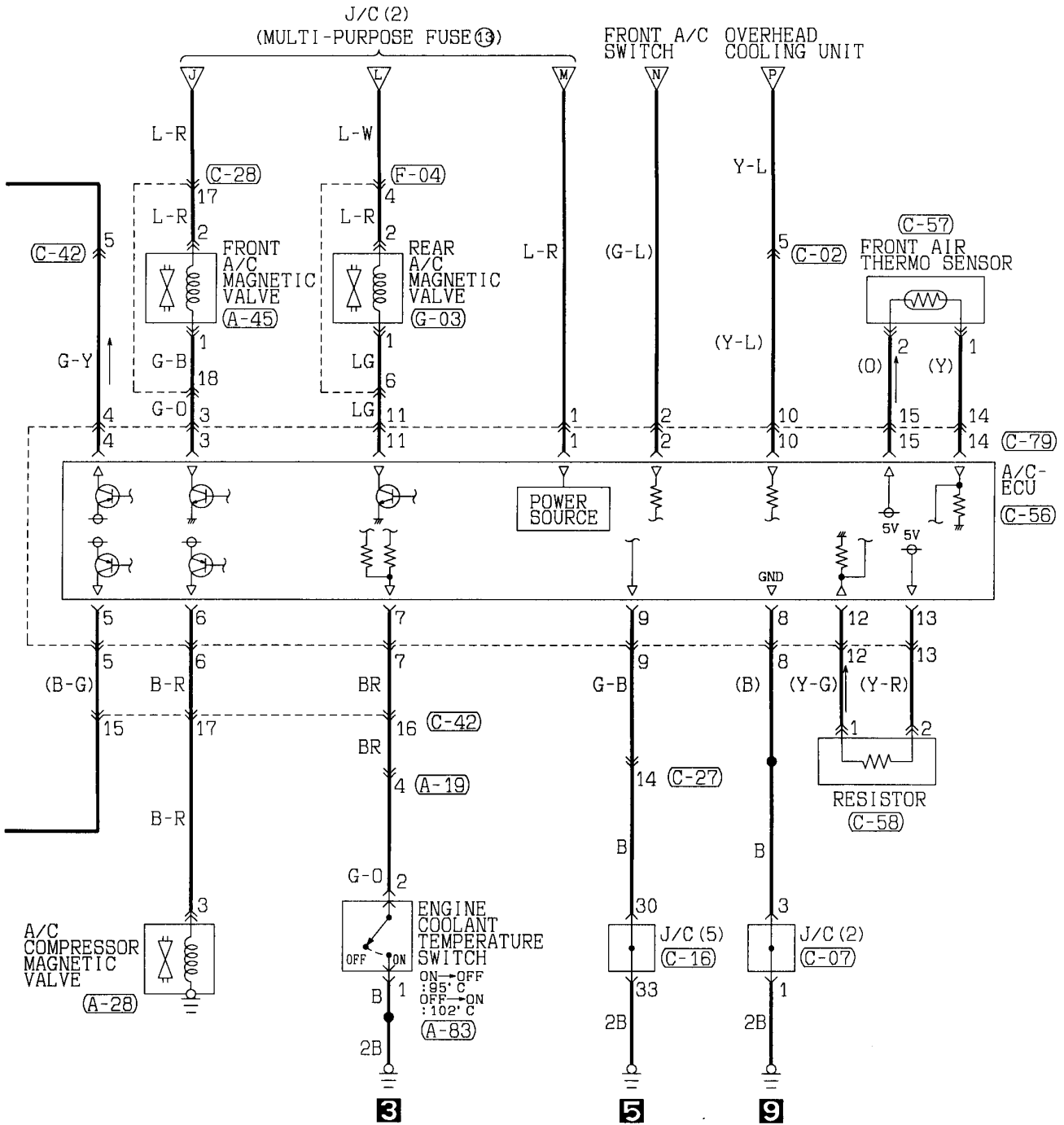
Wire colour code  
 B:Black LG:Light green G:Green L:Blue W:White Y:Yellow SB:Sky blue  
 BR:Brown O:Orange GR:Gray R:Red P:Pink V:Violet





DUAL AIR CONDITIONER <Overhead type (MPI)> (CONTINUED)

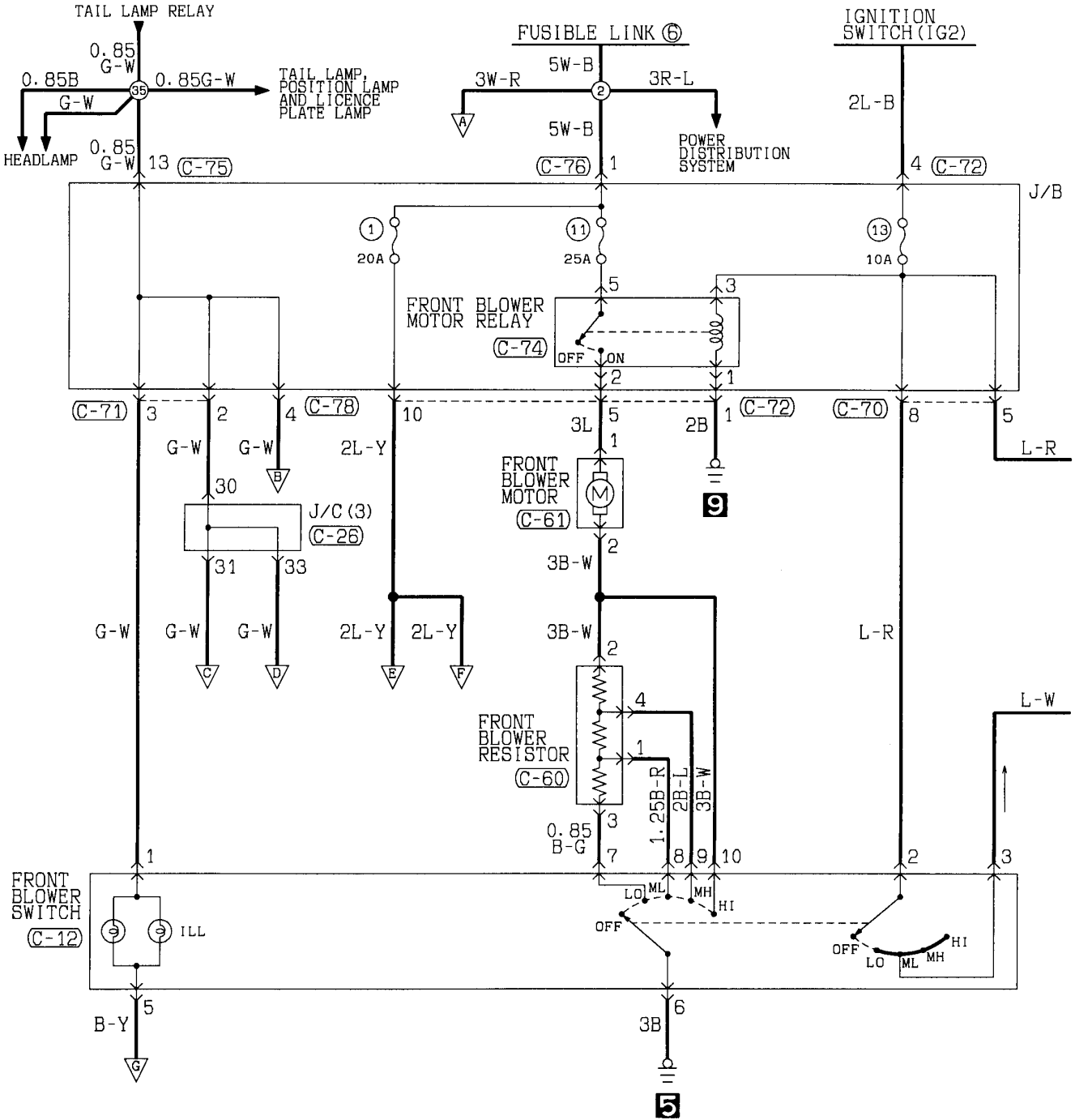




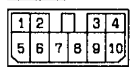
DUAL AIR CONDITIONER

120002403

Overhead type <Diesel>



C-12



C-26



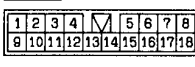
C-60



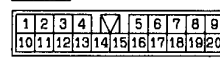
C-61



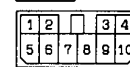
C-70



C-71



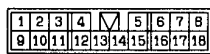
C-72



C-74



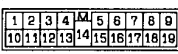
C-75

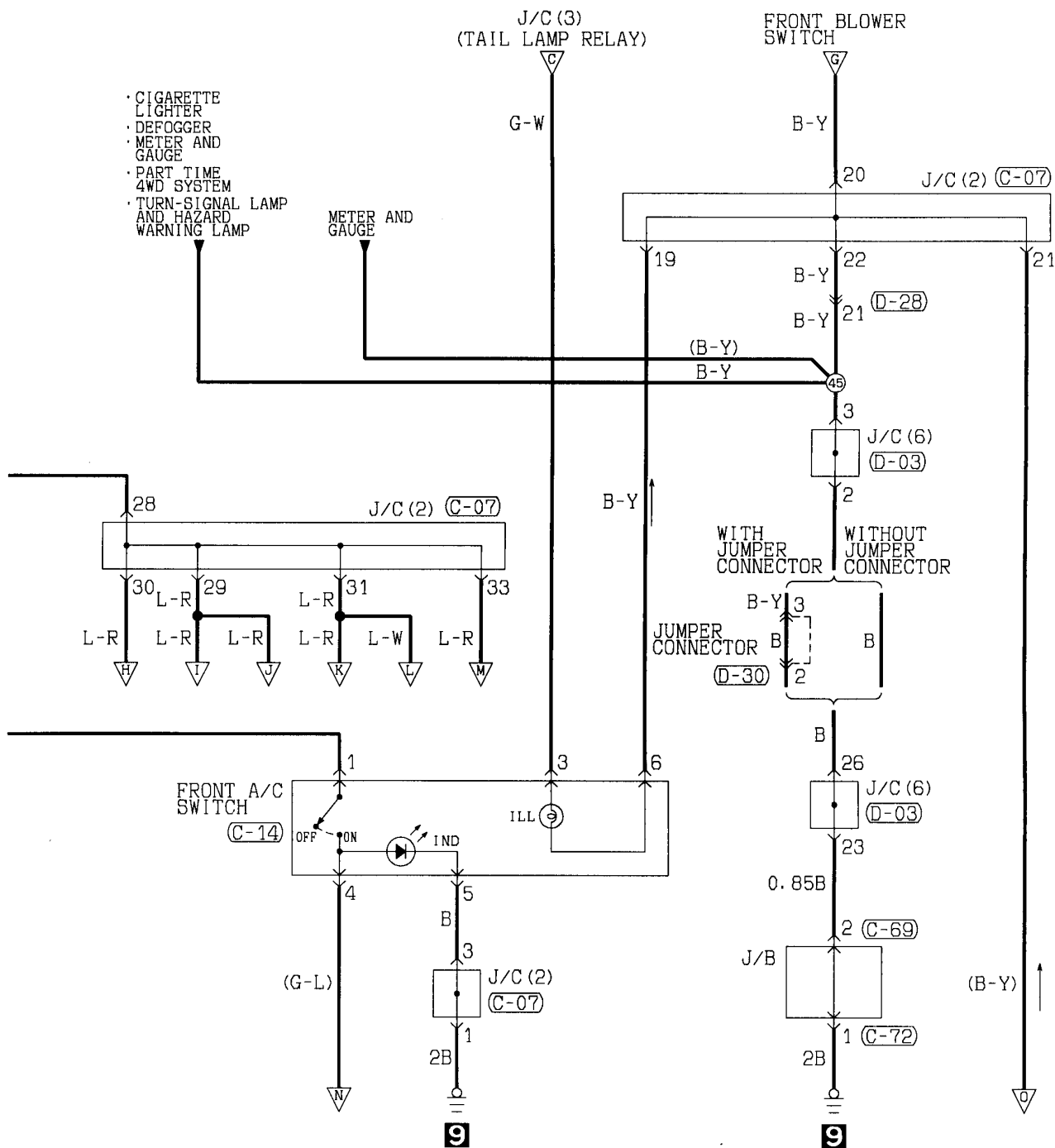


C-76



C-78





**C-07**

1	2	3	4	5	6	7	8	9	10	11
12	13	14	15	16	17	18	19	20	21	22
23	24	25	26	27	28	29	30	31	32	33

**C-14**

1	2
3	4
5	6

**C-69**

1	2	3	4	5	6	7	8	9	10
11	12	13	14	15	16	17	18	19	20
21	22								

**C-72**

1	2	3	4
5	6	7	8
9	10		

**D-03**

1	2	3	4	5	6	7	8	9	10	11
12	13	14	15	16	17	18	19	20	21	22
23	24	25	26	27	28	29	30	31	32	33

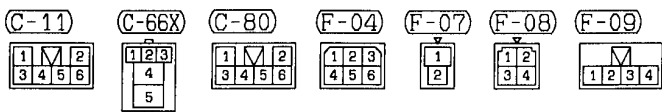
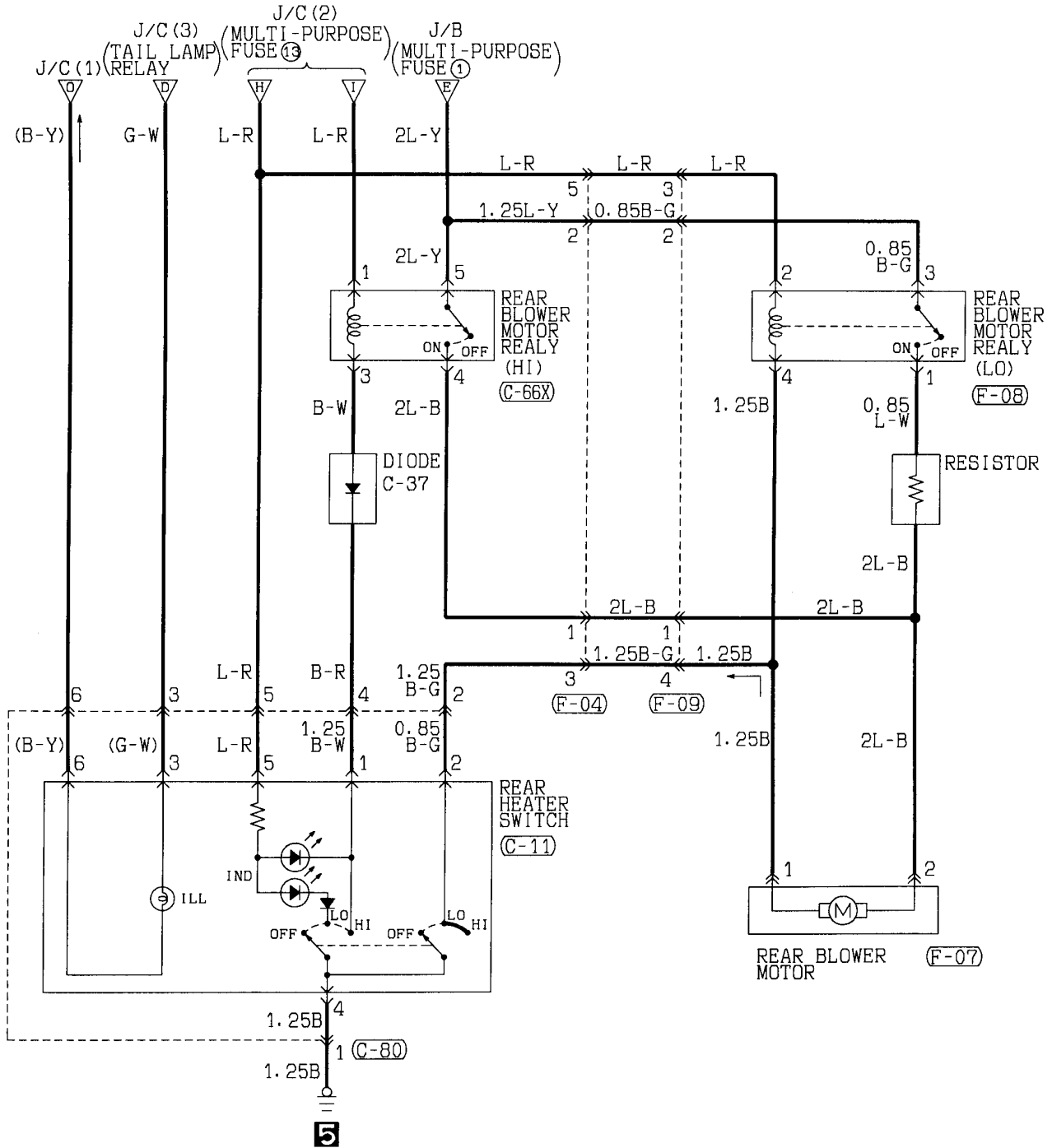
**D-28**

1	2	3	4	5	6	7	8	9	10
11	12	13	14	15	16	17	18	19	20
21	22								

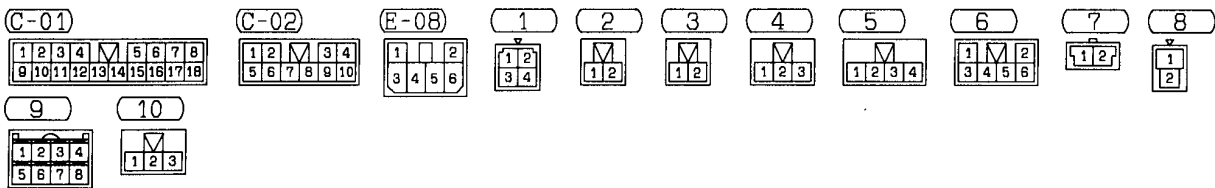
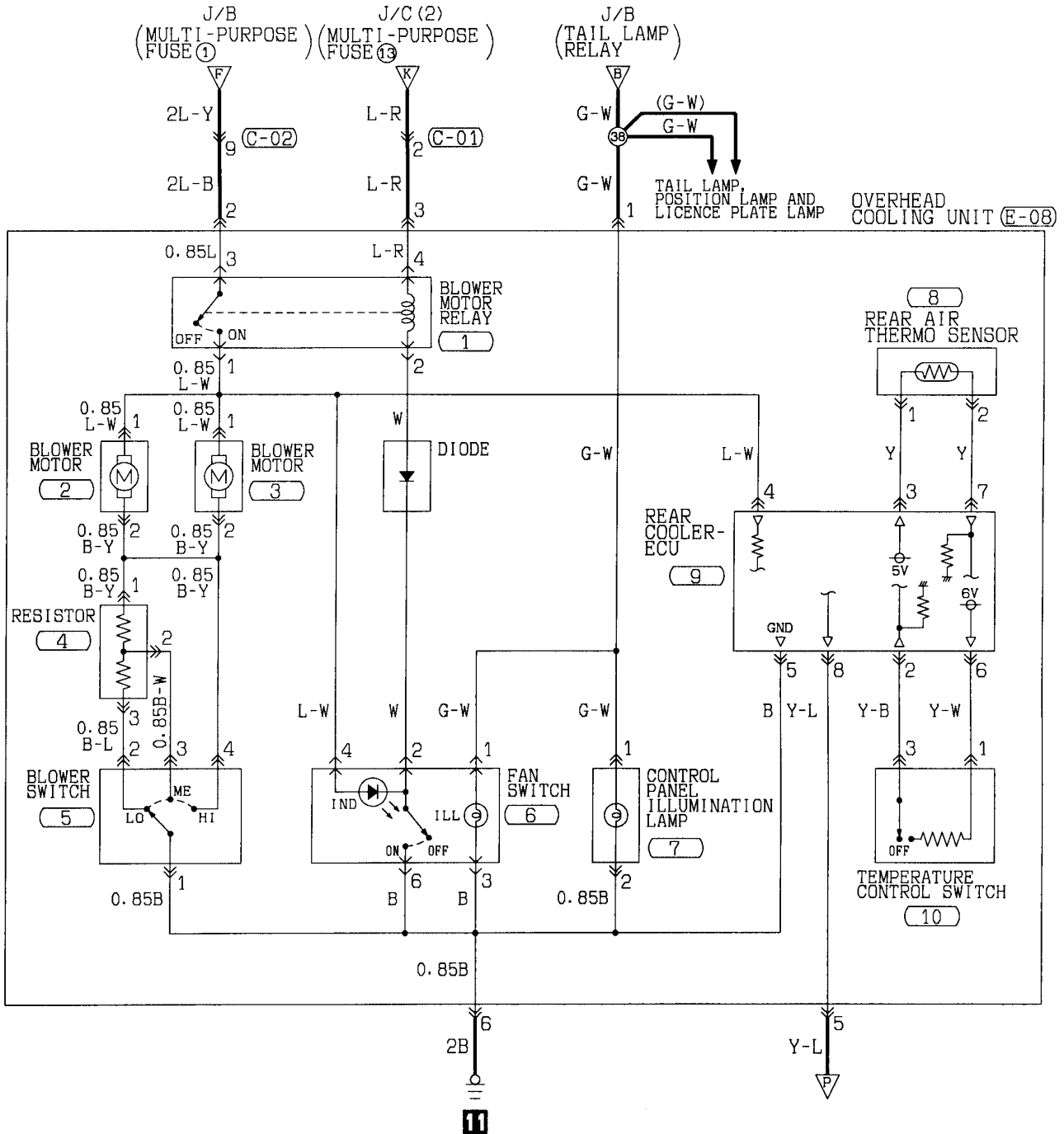
**D-30**

1	2	3	4
---	---	---	---

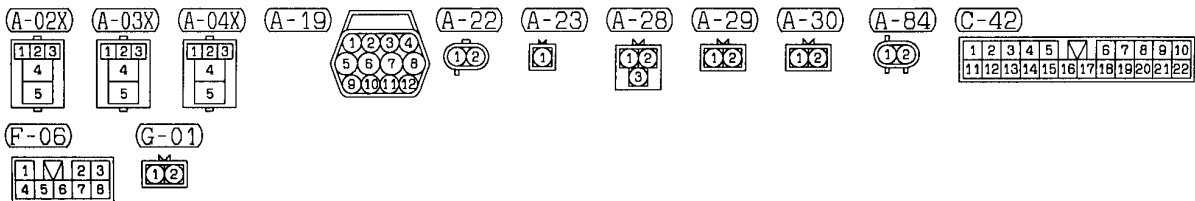
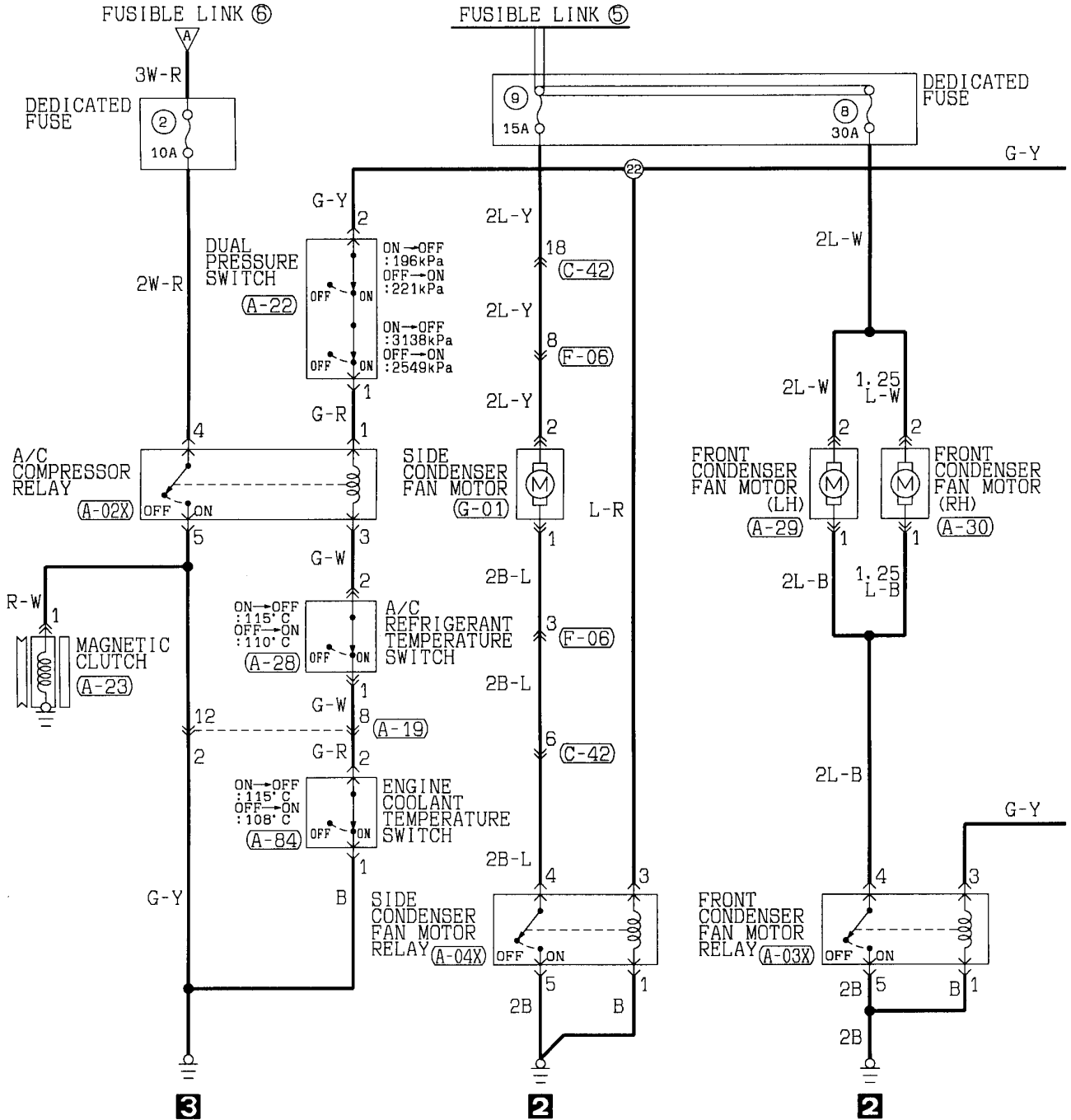
DUAL AIR CONDITIONER <Overhead type (Diesel)> (CONTINUED)



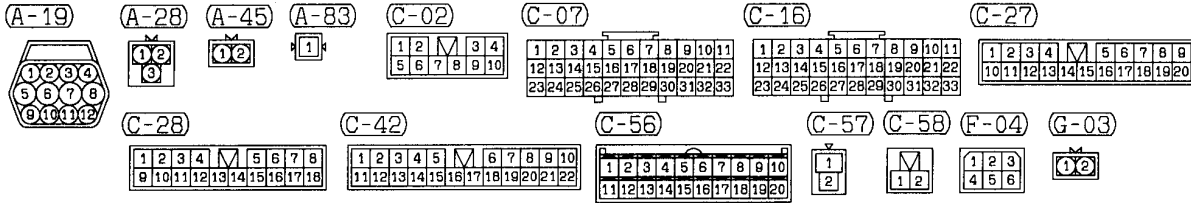
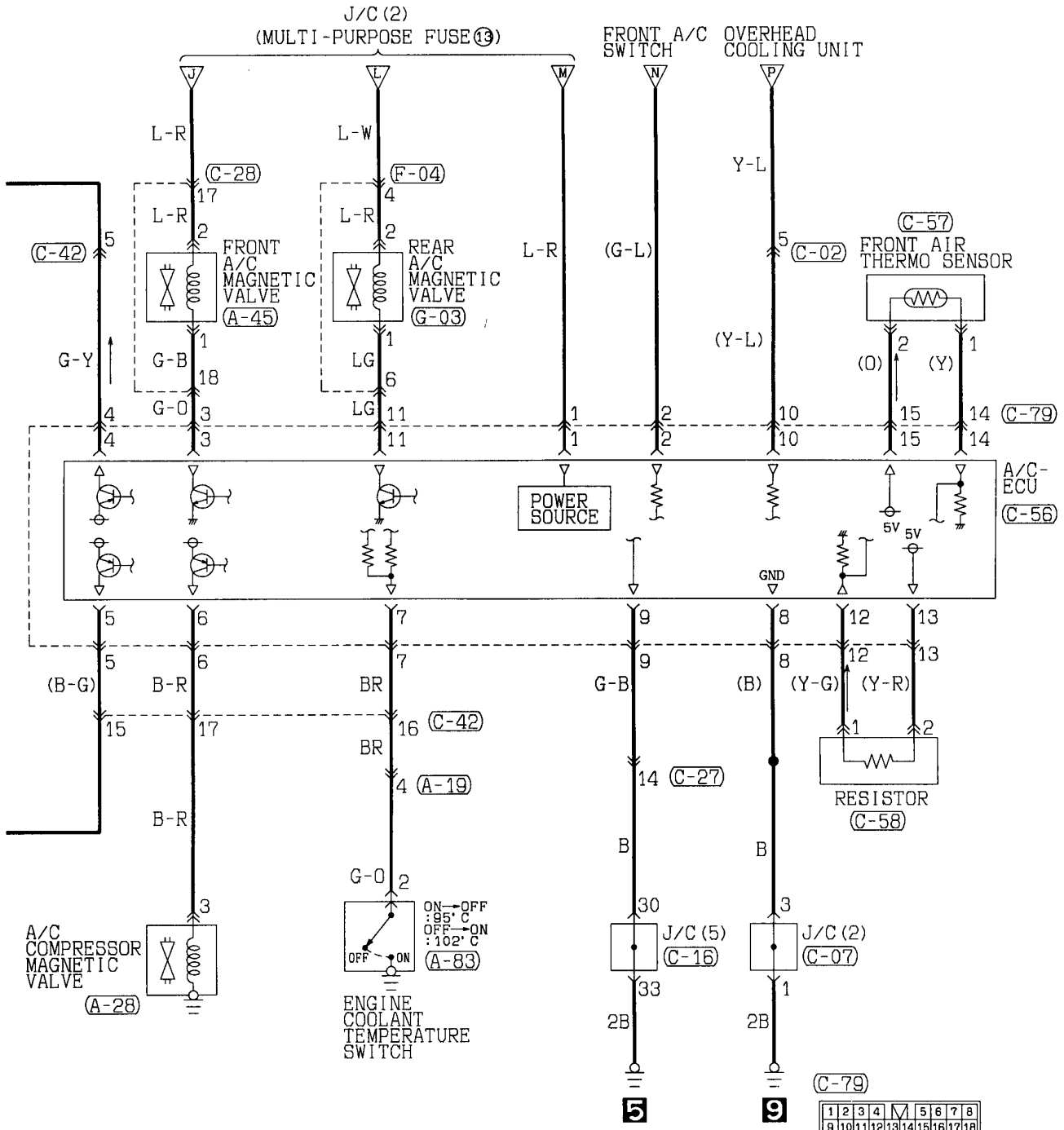
Wire colour code  
 B:Black LG:Light green G:Green L:Blue W:White Y:Yellow SB:Sky blue  
 BR:Brown O:Orange GR:Gray R:Red P:Pink V:Violet



DUAL AIR CONDITIONER <Overhead type (Diesel)> (CONTINUED)



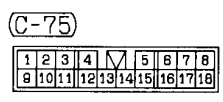
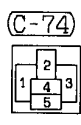
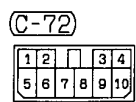
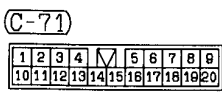
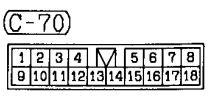
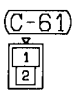
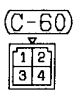
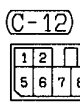
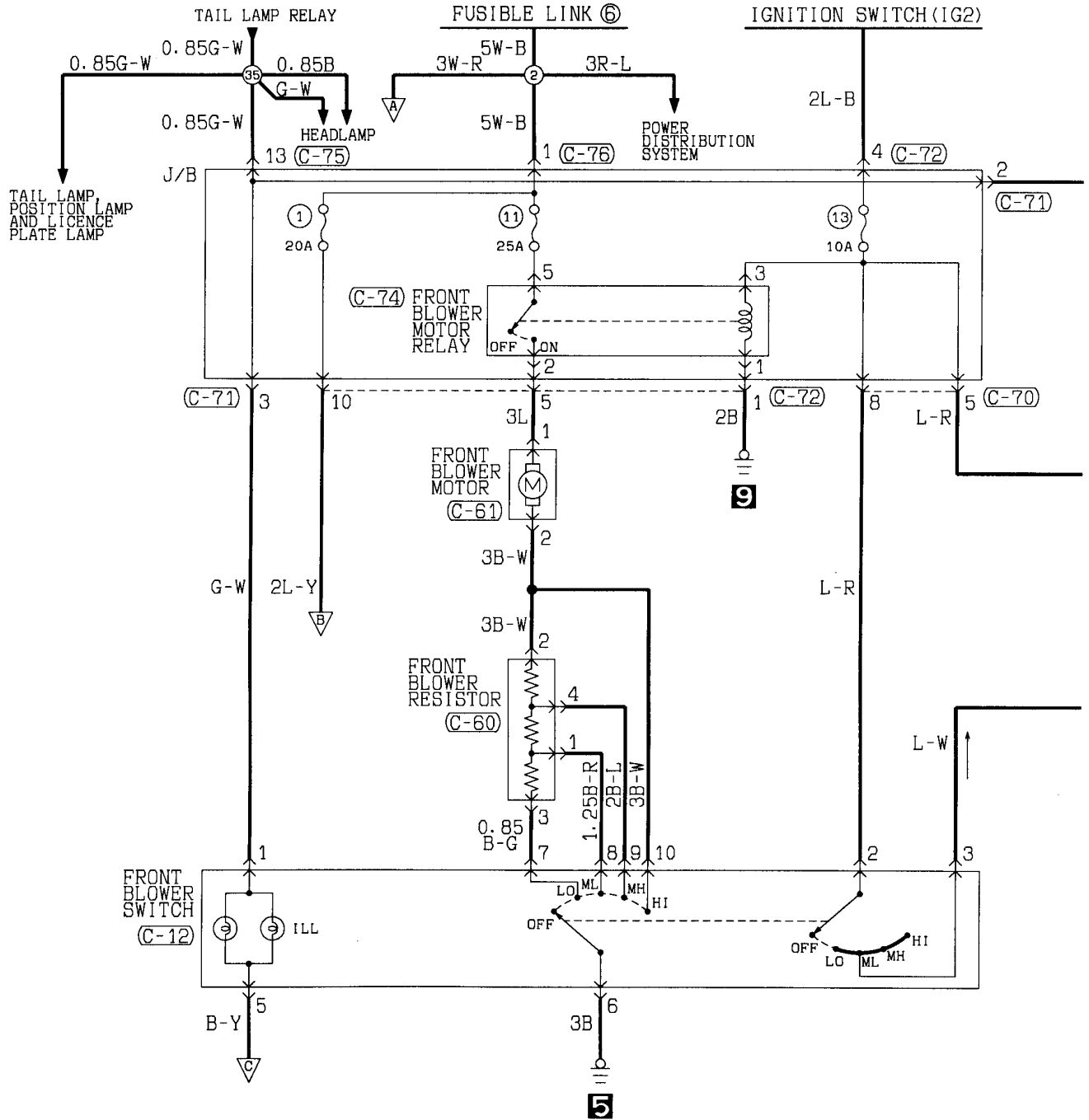


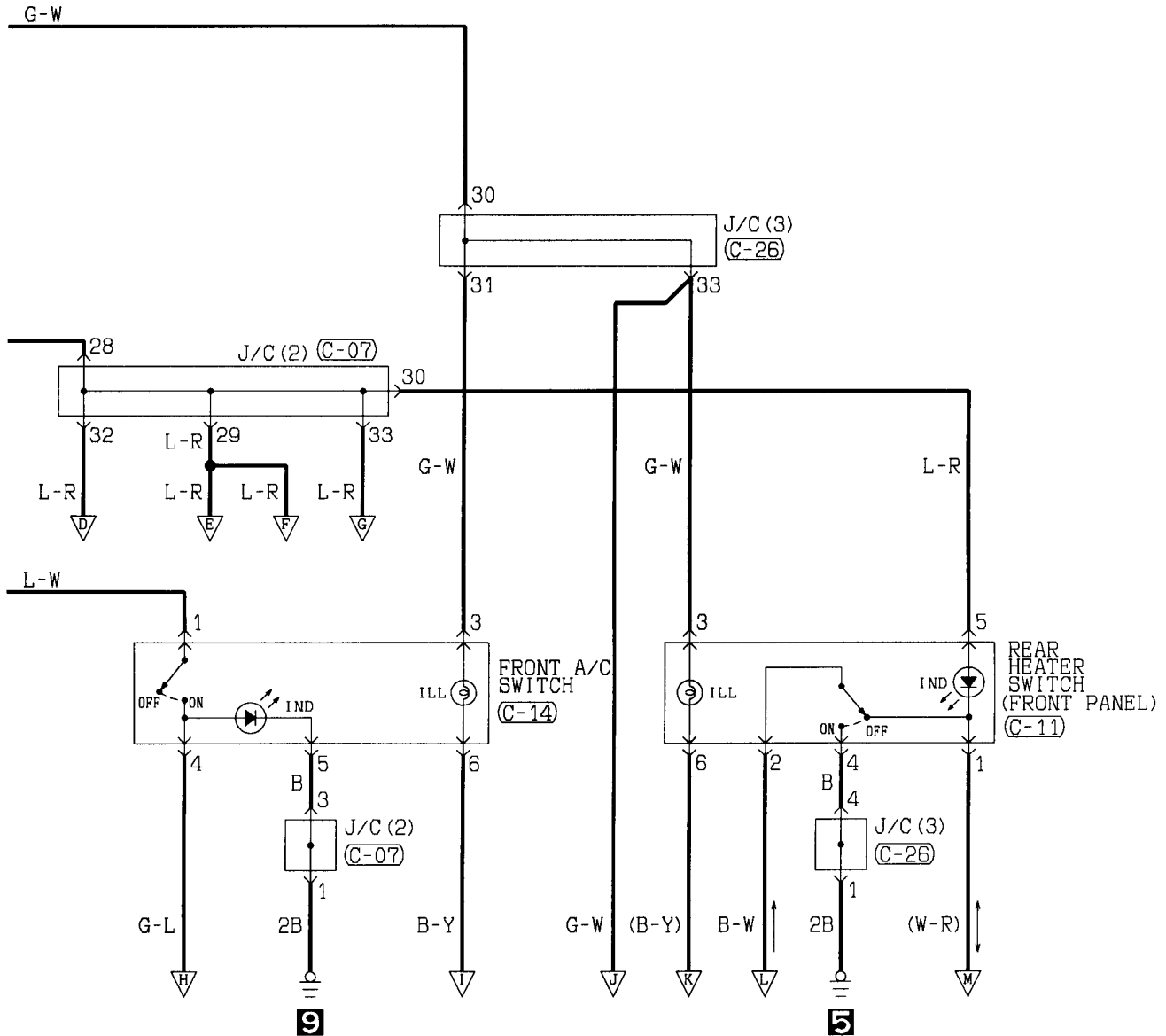


DUAL AIR CONDITIONER

120002404

Built-in type

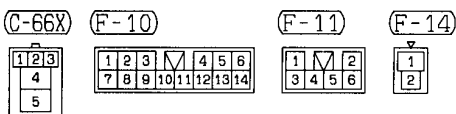
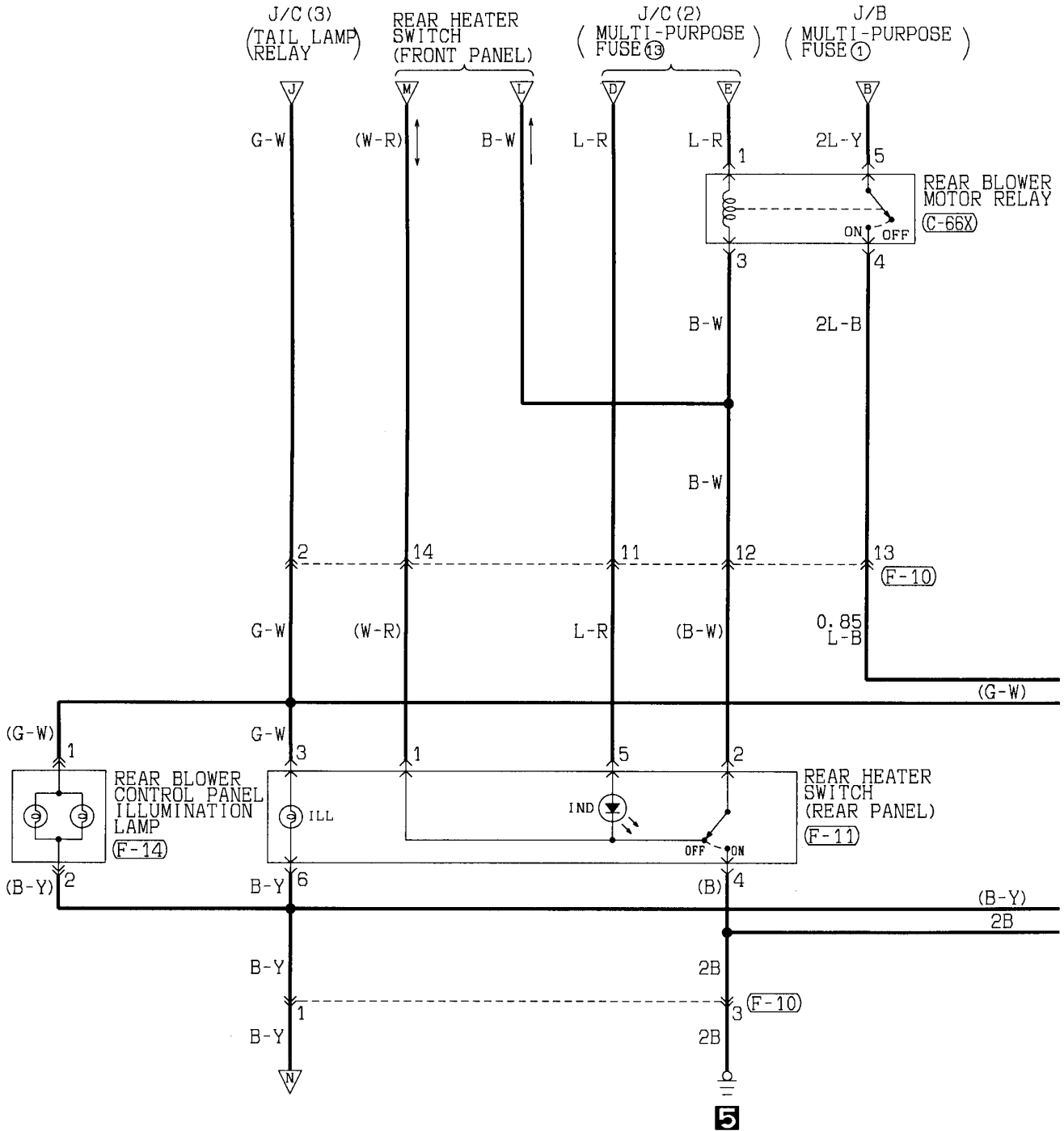




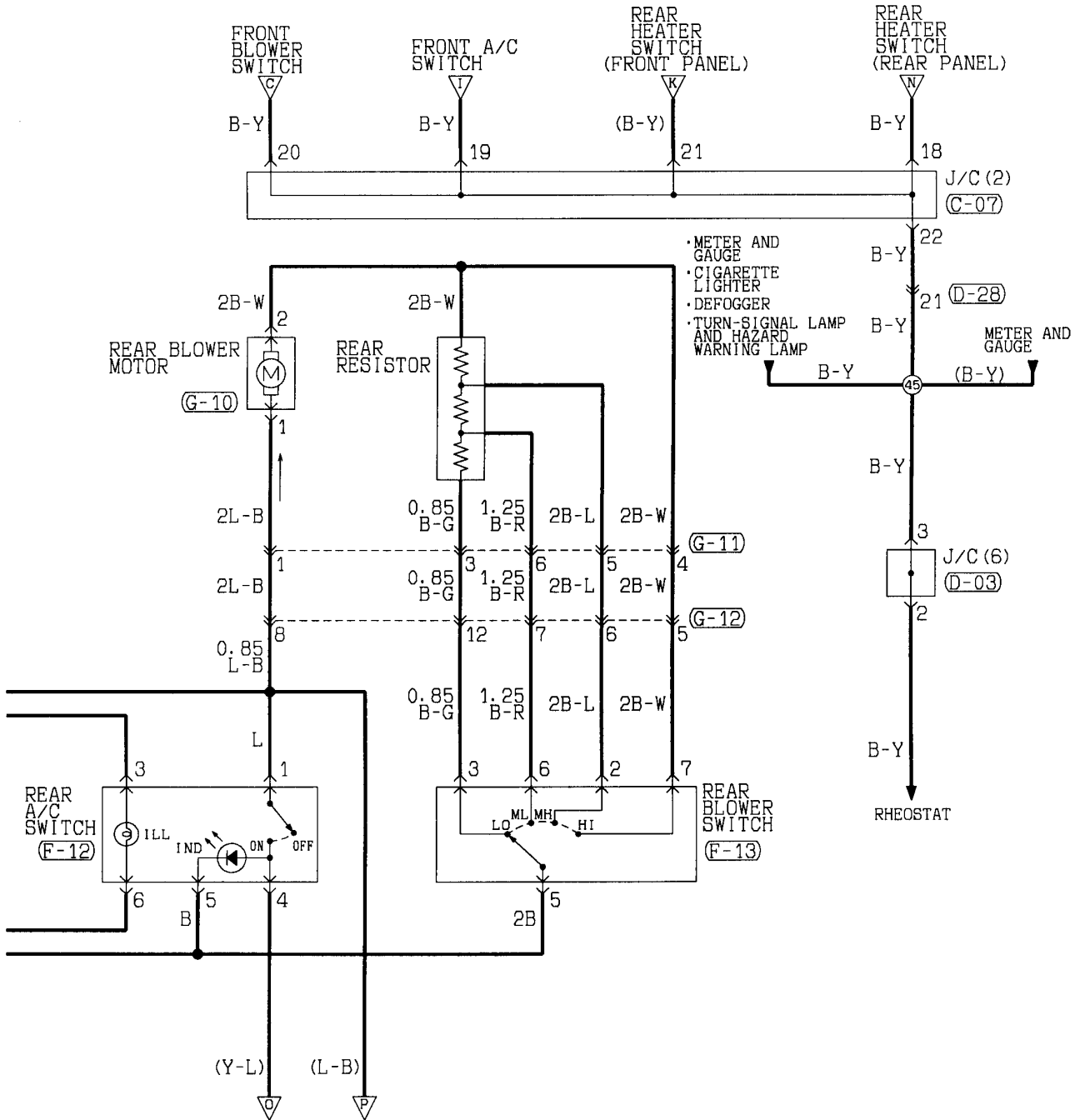
<b>C-07</b>	<b>C-11</b>	<b>C-14</b>	<b>C-26</b>
1 2 3 4 5 6 7 8 9 10 11 12 13 14 15 16 17 18 19 20 21 22 23 24 25 26 27 28 29 30 31 32 33	1 2 3 4 5 6	1 2 3 4 5 6	1 2 3 4 5 6 7 8 9 10 11 12 13 14 15 16 17 18 19 20 21 22 23 24 25 26 27 28 29 30 31 32 33

Wire colour code  
 B:Black LG:Light green G:Green L:Blue W:White Y:Yellow SB:Sky blue  
 BR:Brown O:Orange GR:Gray R:Red P:Pink V:Violet

DUAL AIR CONDITIONER <Built-in type> (CONTINUED)



Wire colour code  
 B:Black LG:Light green G:Green L:Blue W:White Y:Yellow SB:Sky blue  
 BR:Brown O:Orange GR:Gray R:Red P:Pink V:Violet



C-07

1	2	3	4	5	6	7	8	9	10	11
12	13	14	15	16	17	18	19	20	21	22
23	24	25	26	27	28	29	30	31	32	33

D-03

1	2	3	4	5	6	7	8	9	10	11
12	13	14	15	16	17	18	19	20	21	22
23	24	25	26	27	28	29	30	31	32	33

D-28

1	2	3	4	5	6	7	8	9	10		
11	12	13	14	15	16	17	18	19	20	21	22

F-12

1	2		
3	4	5	6

F-13

1	2	3	4
5	6	7	8

G-10

1
2

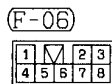
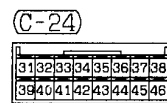
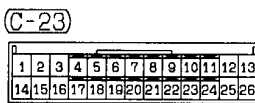
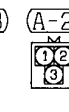
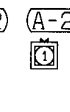
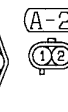
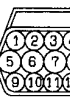
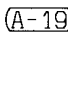
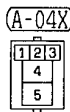
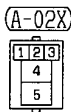
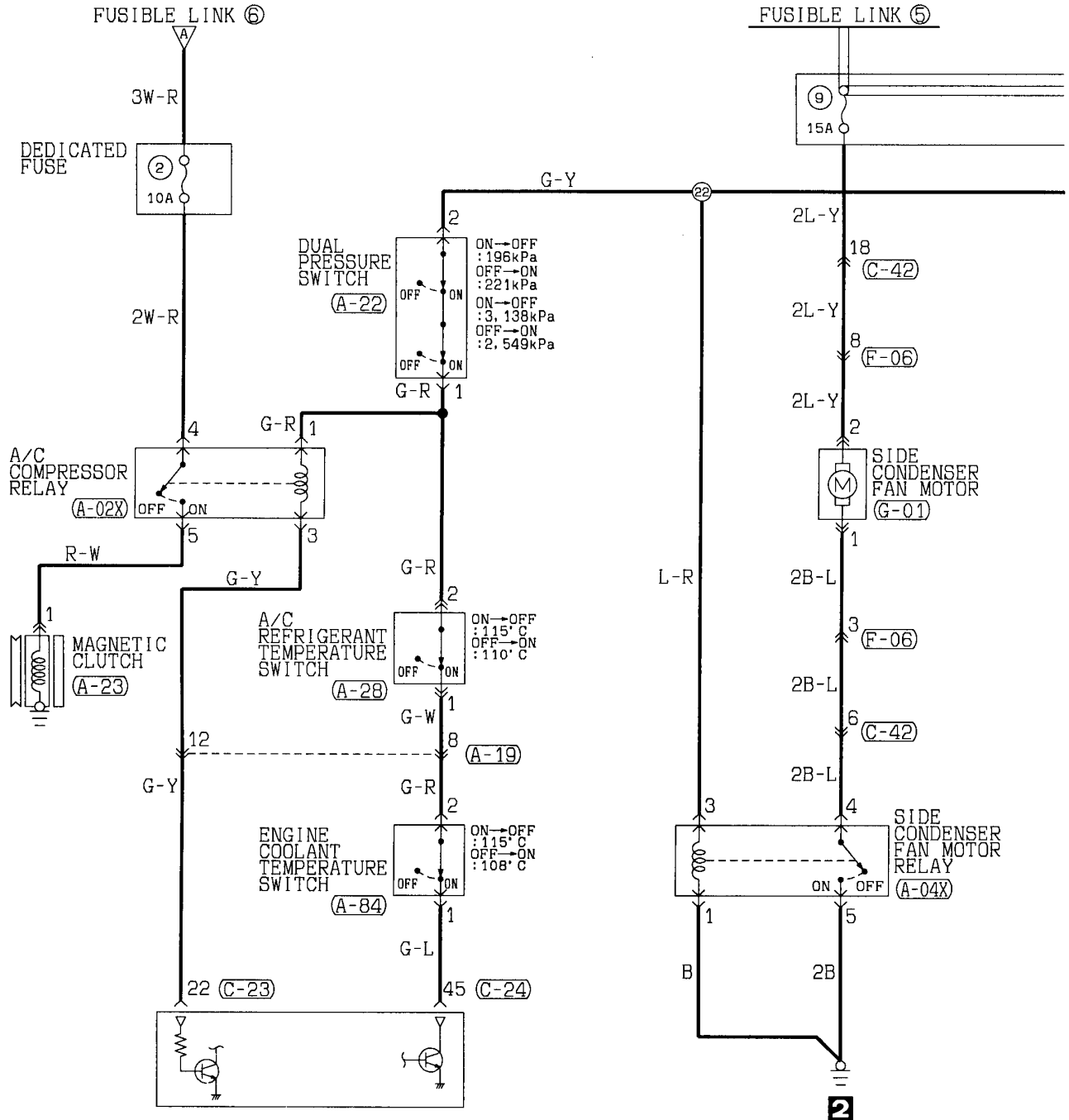
G-11

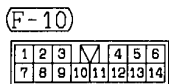
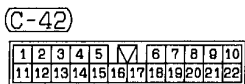
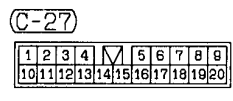
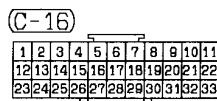
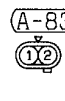
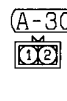
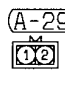
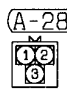
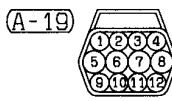
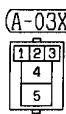
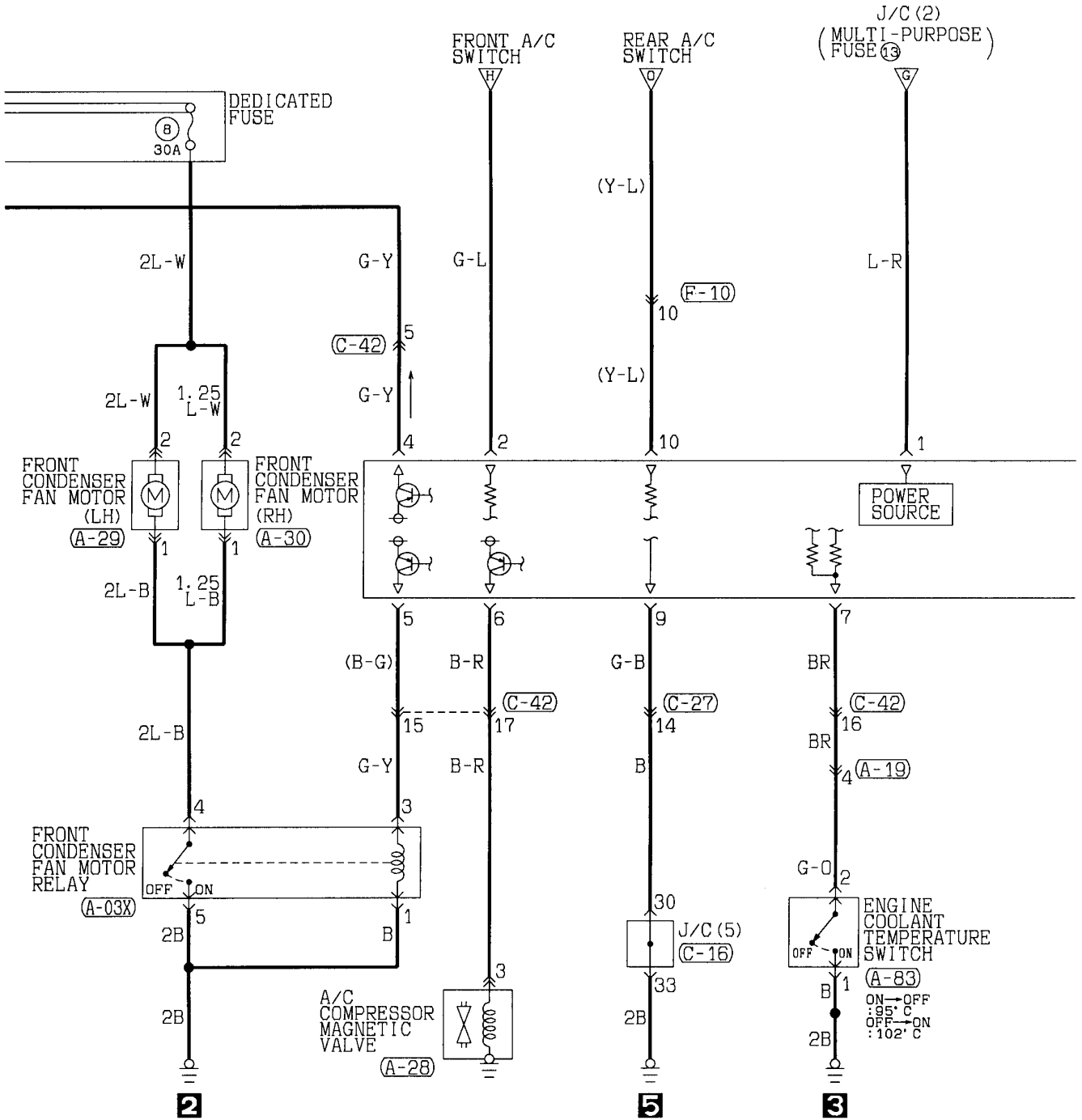
1	2	3
4	5	6

G-12

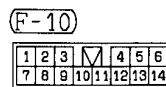
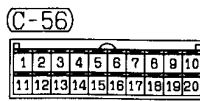
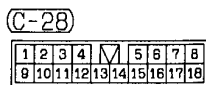
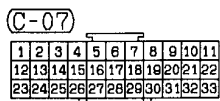
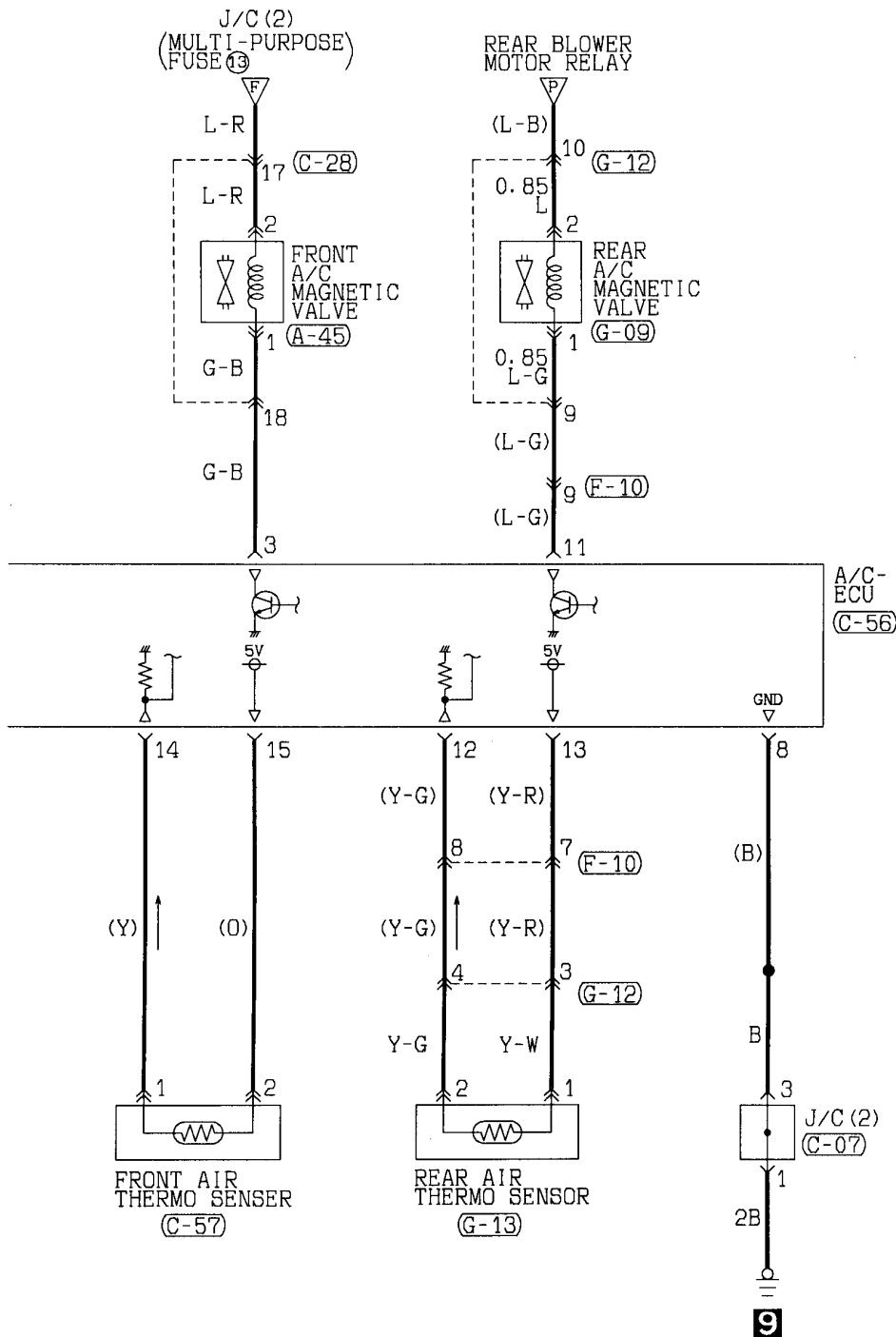
1	2	3	4
5	6	7	8
9	10	11	12

DUAL AIR CONDITIONER <Built-in type> (CONTINUED)





DUAL AIR CONDITIONER <Built-in type> (CONTINUED)



Wire colour code  
 B:Black LG:Light green G:Green L:Blue W:White Y:Yellow SB:Sky blue  
 BR:Brown O:Orange GR:Gray R:Red P:Pink V:Violet



**WINDSHIELD WIPER AND WASHER (See P. 4-192, 193.)**

120002405

**OPERATION**

**<Low-speed (and high-speed) wiper operation>**

- When the wiper switch is placed in the LO position with the ignition switch in the ACC or ON position, wipers operate continuously at low speed.
- Placing the wiper switch in the HI position causes the wipers to operate at high speed.

**<Automatic wiper stopping operation>**

- When the wiper switch is placed in the OFF position, the cam contacts of wiper motor caused current to flow through the automatic wiper stopping circuit, allowing the wiper blades to cycle before they reach to the stop positions.

**<Intermittent wiper operation>**

- When the wiper switch is placed in the INT position with the ignition switch in ACC or ON position, the intermittent wiper relay is energized causing the intermittent wiper relay contacts to close and open repeatedly.
- When the contacts are closed, the wiper motor is energized.
- When the wiper motor is energized, the relay contacts open, however, the cam contacts keep the wiper motor energized until the wiper blades return to their stop position.

**<Washer-activated wiper operation>**

- When the washer switch is turned on, the intermittent wiper relay contacts close causing wipers to cycle two to three times.

**TROUBLESHOOTING HINTS**

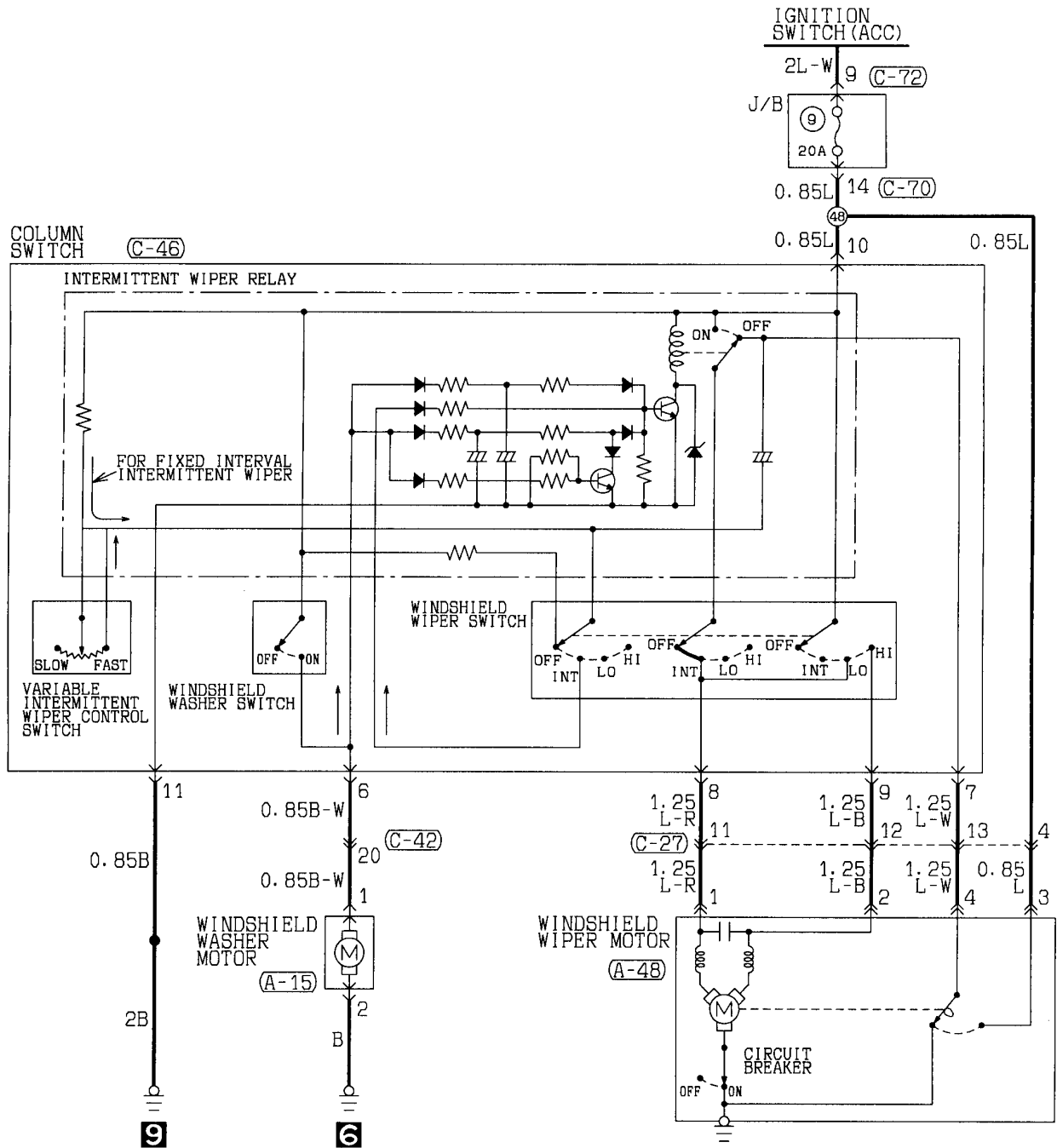
1. Wipers do not operate.
  - (1) Washer is not operative, either.
    - Check multi-purpose fuse No. (9).
    - Check earth.
2. Low-speed (or high-speed) wiper operation only is inoperative.
  - Check wiper switch.
3. Wipers do not stop.
  - Check wiper motor.
  - Check intermittent wiper relay.
  - Check wiper switch.
4. Intermittent wiper operation is inoperative.
  - Check terminal voltage of steering-column switch (with a built-in intermittent wiper relay) with the intermittent wiper relay energized. (see below)
5. The length of pause for intermittent operation cannot be varied.
  - Check variable intermittent wiper control switch.
  - Check intermittent wiper relay.
6. Washer is inoperative.
  - (1) Wiper is operative on washer-activated wiper operation.
    - Check washer motor.
  - (2) Washer-activated wiper operation is inoperative also.
    - Check washer switch.
7. Washer-activated wiper operation is inoperative.
  - Check intermittent wiper relay.

Terminal No.	Voltage	Check
8 <LHD> 10 <RHD>	0V	Intermittent wiper relay or wiper switch
	System voltage	Intermittent wiper relay
	0V↔System voltage (alternating)	- (Normal)

WINDSHIELD WIPER AND WASHER

120002406

L.H. drive vehicles



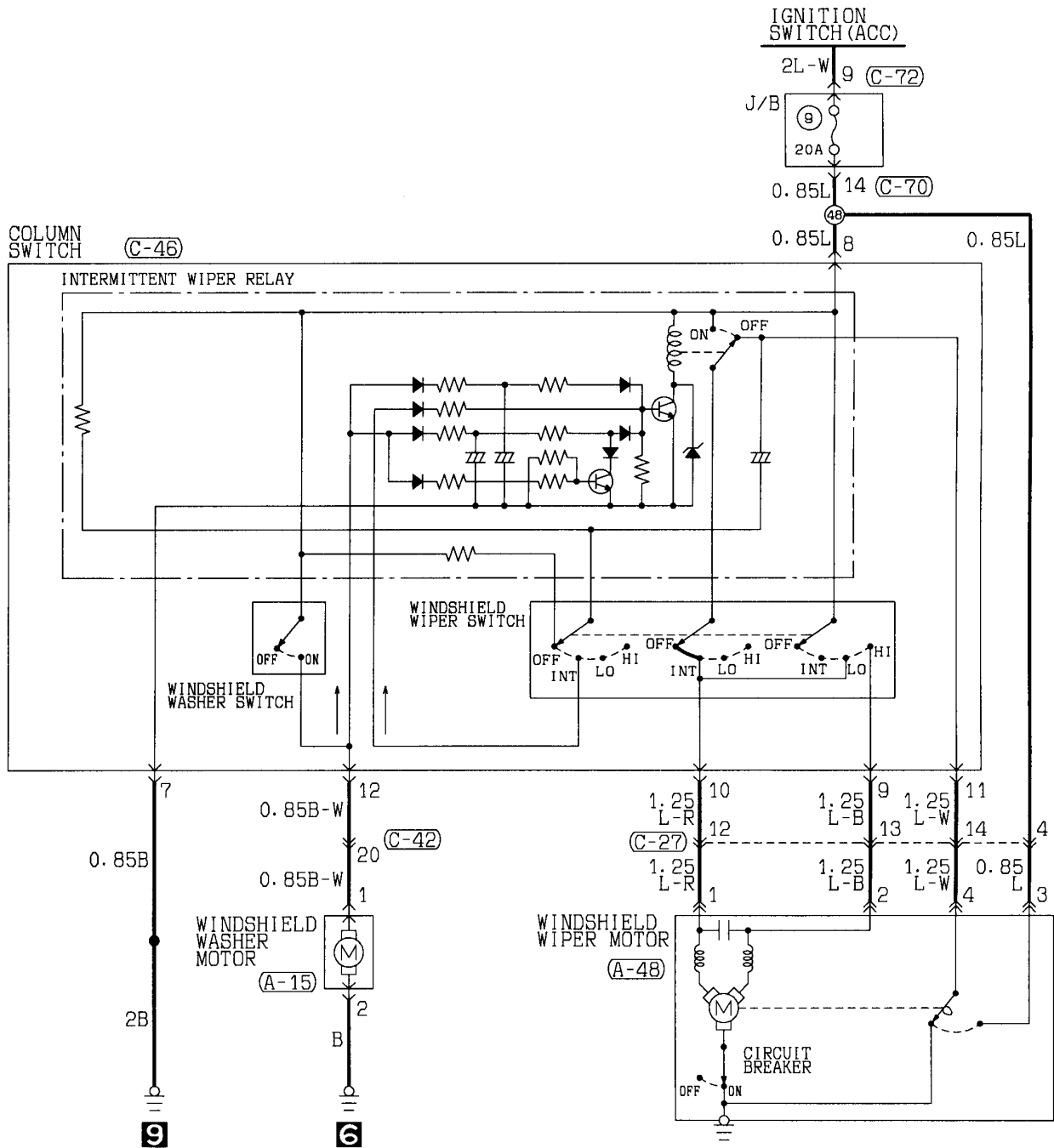
- (A-15)
- (A-48)
- (C-27)
- (C-42)
- (C-46)
- (C-70)
- (C-72)

Wire colour code  
 B:Black LG:Light green G:Green L:Blue W:White Y:Yellow SB:Sky blue  
 BR:Brown O:Orange GR:Gray R:Red P:Pink V:Violet

WINDSHIELD WIPER AND WASHER

120002407

R.H. drive vehicles



(A-15)

(A-48)

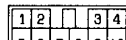
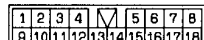
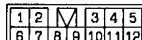
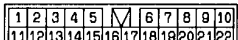
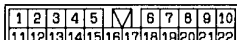
(C-27)

(C-42)

(C-46)

(C-70)

(C-72)



Wire colour code

B:Black LG:Light green  
BR:Brown O:Orange

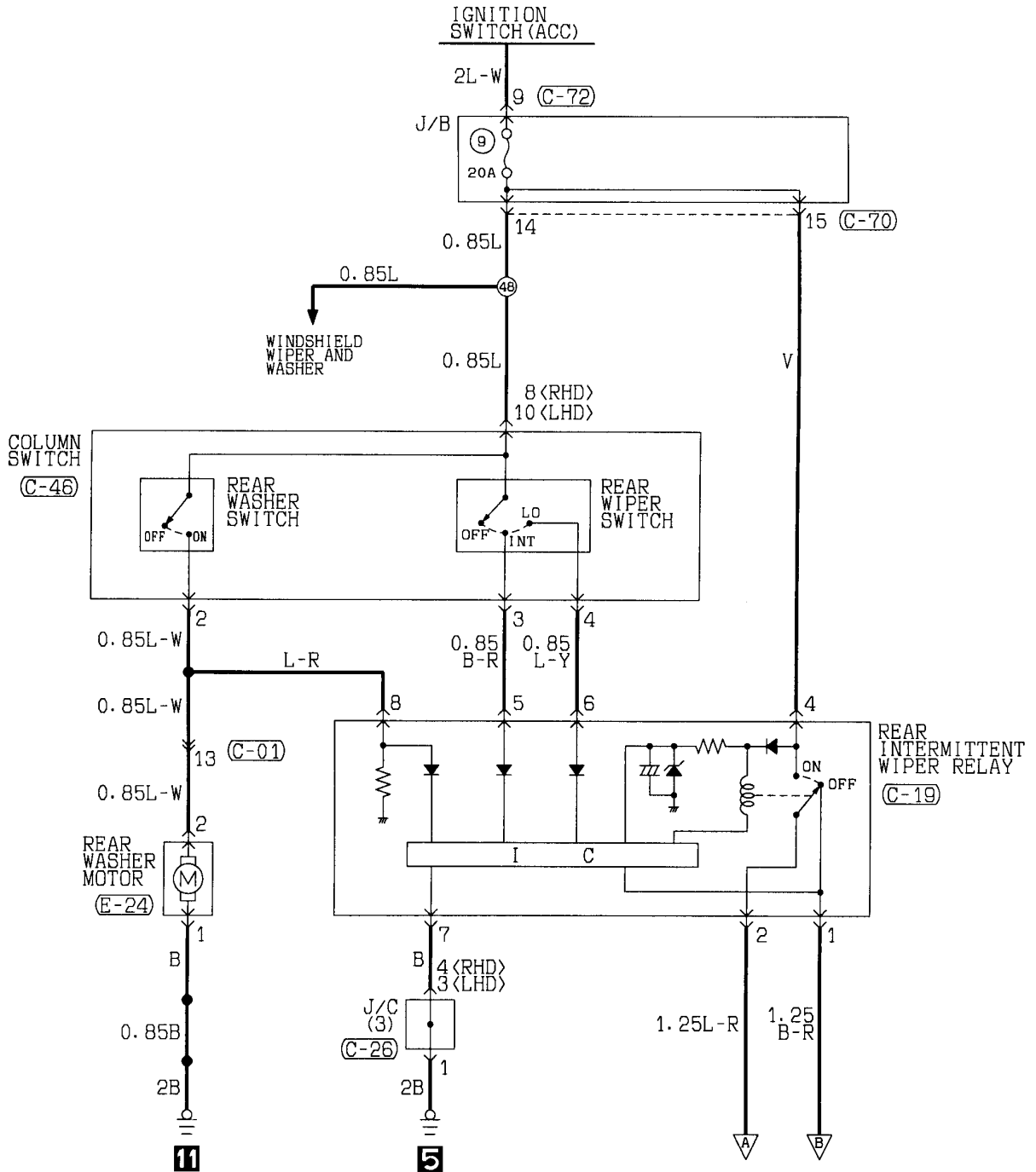
G:Green L:Blue  
GR:Gray R:Red

W:White Y:Yellow  
P:Pink V:Violet

SB:Sky blue

REAR WIPER AND WASHER

120002408



C-01

1	2	3	4	M	5	6	7	8	
9	10	11	12	13	14	15	16	17	18

C-19

1	2	3		
4	5	6	7	8

C-26

1	2	3	4	5	6	7	8	9	10	11
12	13	14	15	16	17	18	19	20	21	22
23	24	25	26	27	28	29	30	31	32	33

C-46

1	2	M	3	4	5	
6	7	8	9	10	11	12

C-70

1	2	3	4	M	5	6	7	8	
9	10	11	12	13	14	15	16	17	18

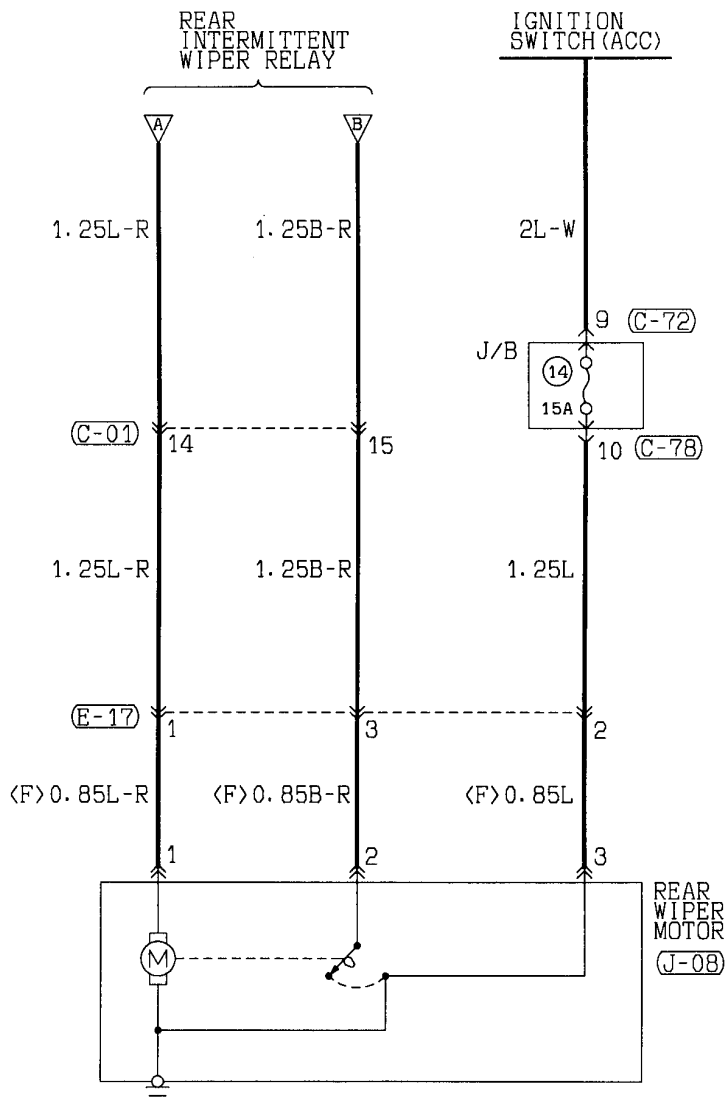
C-72

1	2	3	4		
5	6	7	8	9	10

E-24

1
2

Wire colour code  
 B:Black LG:Light green G:Green L:Blue W:White Y:Yellow SB:Sky blue  
 BR:Brown O:Orange GR:Gray R:Red P:Pink V:Violet



(C-01)

1	2	3	4	5	6	7	8		
9	10	11	12	13	14	15	16	17	18

(C-72)

1	2	3	4		
5	6	7	8	9	10

(C-78)

1	2	3	4	5	6	7	8	9	
10	11	12	13	14	15	16	17	18	19

(E-17)

1	2	3
---	---	---

(J-08)

1	2	3
---	---	---

**REAR WIPER AND WASHER (See P. 4-194.)**

120002409

**OPERATION**

**<Low-speed wiper operation>**

- When the wiper switch is placed in the LO position with the ignition switch in the ACC or ON position, wipers operate continuously at low speed.

**<Automatic wiper stopping operation>**

- When the wiper switch is placed in the OFF position, the cam contacts of wiper motor causes current to flow through the automatic wiper stopping circuit, allowing the wiper blades to cycle before they reach to the stop positions.

**<Intermittent wiper operation>**

- When the wiper switch is placed in the INT position with the ignition switch in ACC or ON position, the intermittent wiper relay is energized causing the intermittent wiper relay contacts to close and open repeatedly.

- When the contacts are closed, the wiper motor is energized.
- When the wiper motor is energized, the relay contacts open, however, the cam contacts keep the wiper motor energized until the wiper blades return to their stop position.

**<Washer-activated wiper operation>**

- When the washer switch is turned on, the intermittent wiper relay contacts close causing wipers to cycle two to three times.

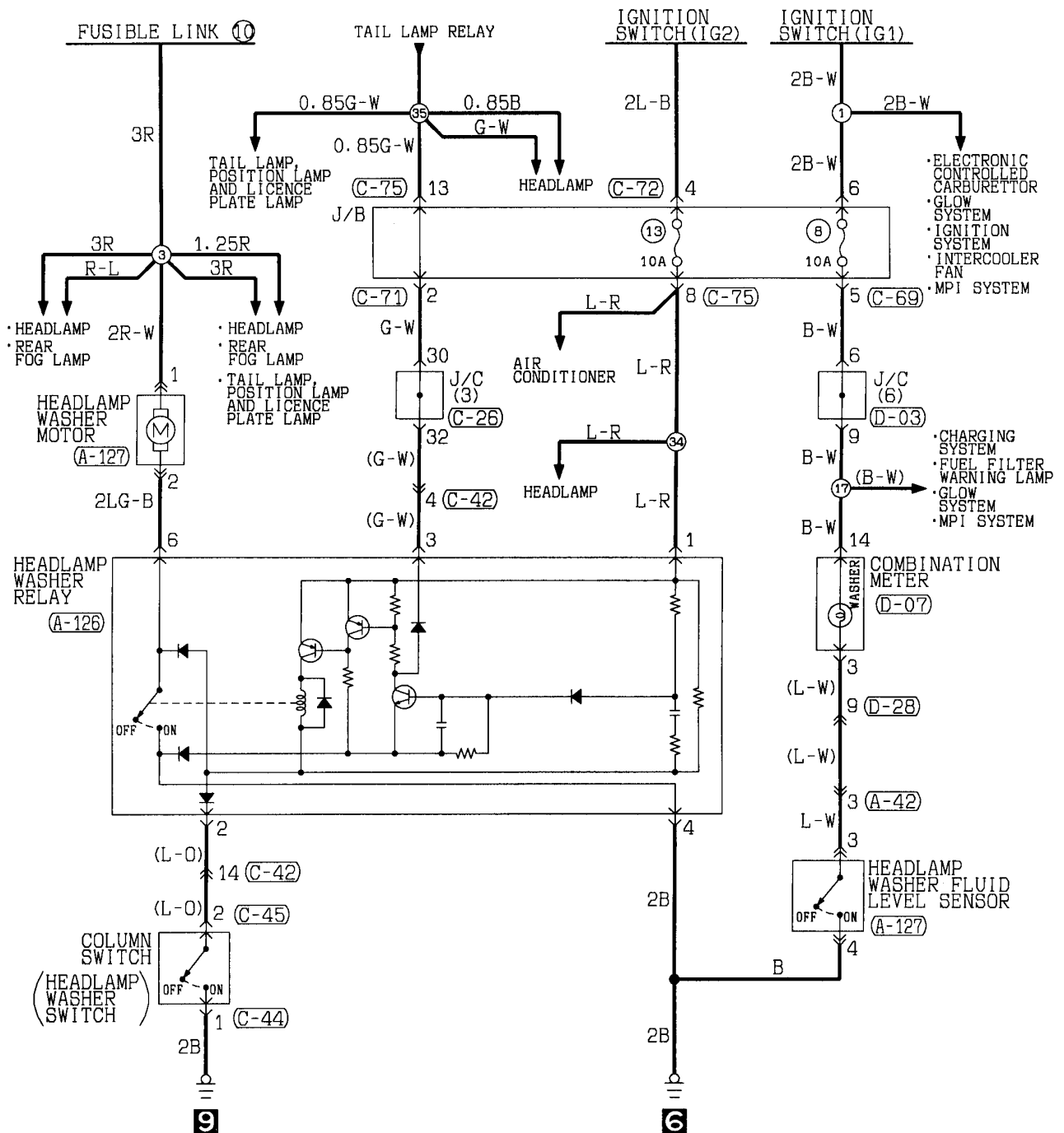
**TROUBLESHOOTING HINTS**

1. Wipers do not operate.
  - (1) Washer is not operative, either.
    - Check multi-purpose fuse No. (9).
    - Check earth.
    - Check wiper switch.
2. Wipers do not stop.
  - Check wiper motor.
  - Check intermittent wiper relay.
  - Check wiper switch.
3. Intermittent wiper operation is inoperative.
  - Check terminal voltage of the intermittent wiper relay energized. (see below)
4. Washer is inoperative.
  - Check washer motor.
  - Check washer switch.
5. Washer-activated wiper operation is inoperative.
  - Check intermittent wiper relay.

Terminal No.	Voltage	Check
1	0V	Intermittent wiper relay or wiper switch
	System voltage	Intermittent wiper relay
	0V↔System voltage (alternating)	- (Standard)

HEADLAMP WASHER

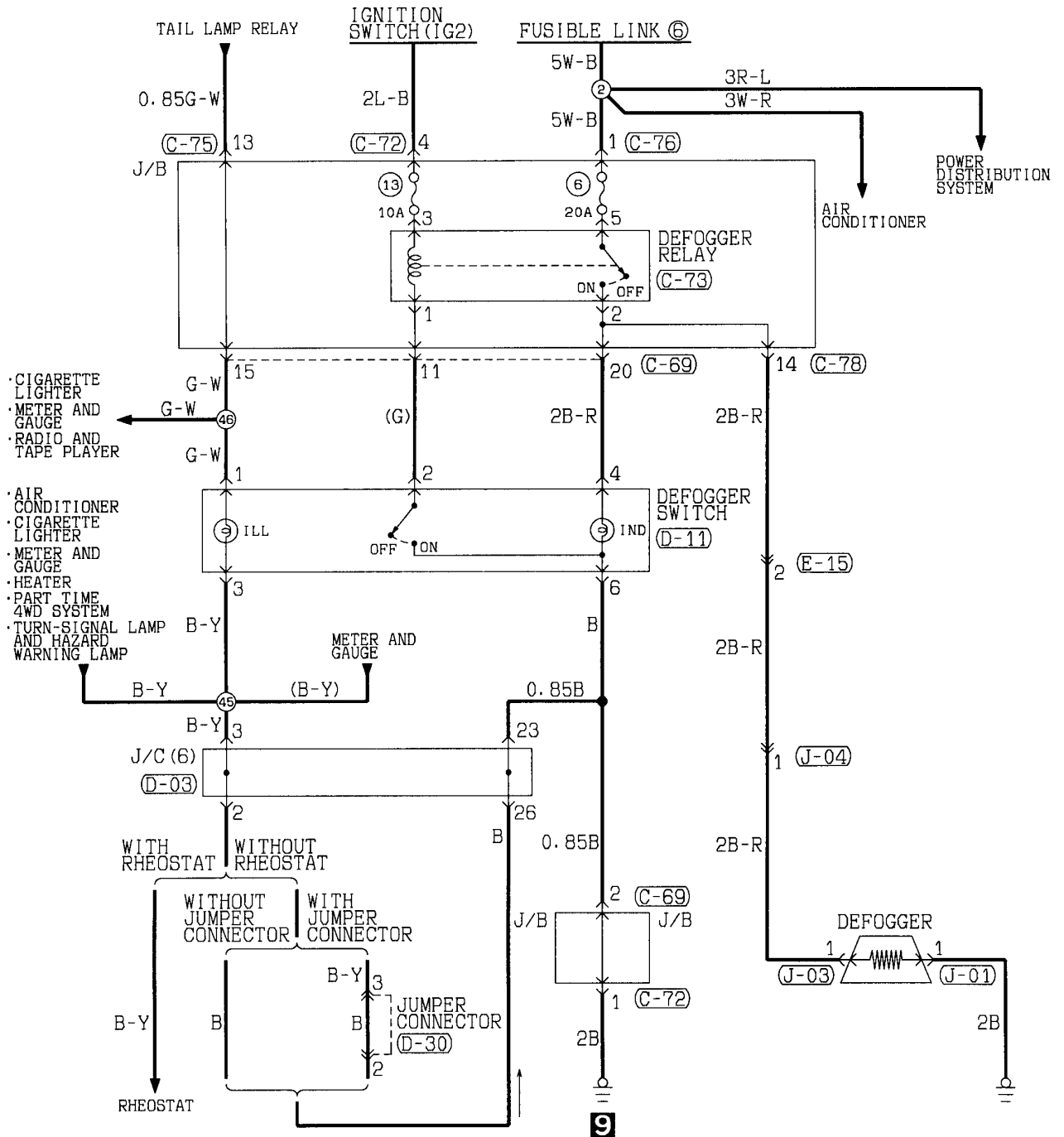
120002410



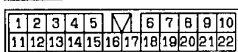
<b>A-126</b> 1 2 3 4 5 6	<b>A-127</b> 1 2 3 4	<b>C-26</b> 1 2 3 4 5 6 7 8 9 10 11 12 13 14 15 16 17 18 19 20 21 22 23 24 25 26 27 28 29 30 31 32 33	<b>C-42</b> 1 2 3 4 5 6 7 8 9 10 11 12 13 14 15 16 17 18 19 20 21 22	<b>C-44</b> 1 2 3 4 5 6	<b>C-46</b> 1 2 3 4 5 6 7 8 9 10	<b>C-69</b> 1 2 3 4 5 6 7 8 9 10 11 12 13 14 15 16 17 18 19 20 21 22
<b>C-71</b> 1 2 3 4 5 6 7 8 9 10 11 12 13 14 15 16 17 18 19 20	<b>C-72</b> 1 2 3 4 5 6 7 8 9 10	<b>C-75</b> 1 2 3 4 5 6 7 8 9 10 11 12 13 14 15 16 17 18	<b>D-03</b> 1 2 3 4 5 6 7 8 9 10 11 12 13 14 15 16 17 18 19 20 21 22 23 24 25 26 27 28 29 30 31 32 33	<b>D-07</b> 1 2 3 4 5 6 7 8 9 10 11 12 13 14		
<b>D-28</b> 1 2 3 4 5 6 7 8 9 10 11 12 13 14 15 16 17 18 19 20 21 22						

DEFOGGER

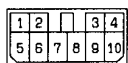
L.H. drive vehicles



(C-69)



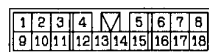
(C-72)



(C-73)



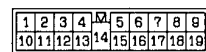
(C-75)



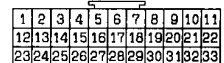
(C-76)



(C-78)



(D-03)



(D-11)



(D-30)



(E-15)



(J-01)



(J-03)



(J-04)

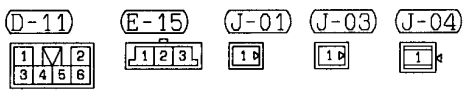
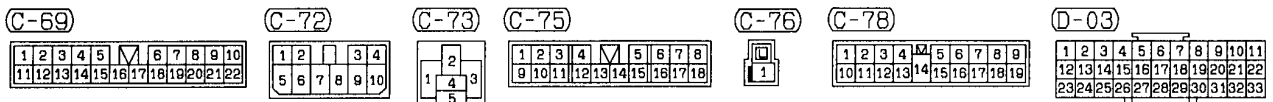
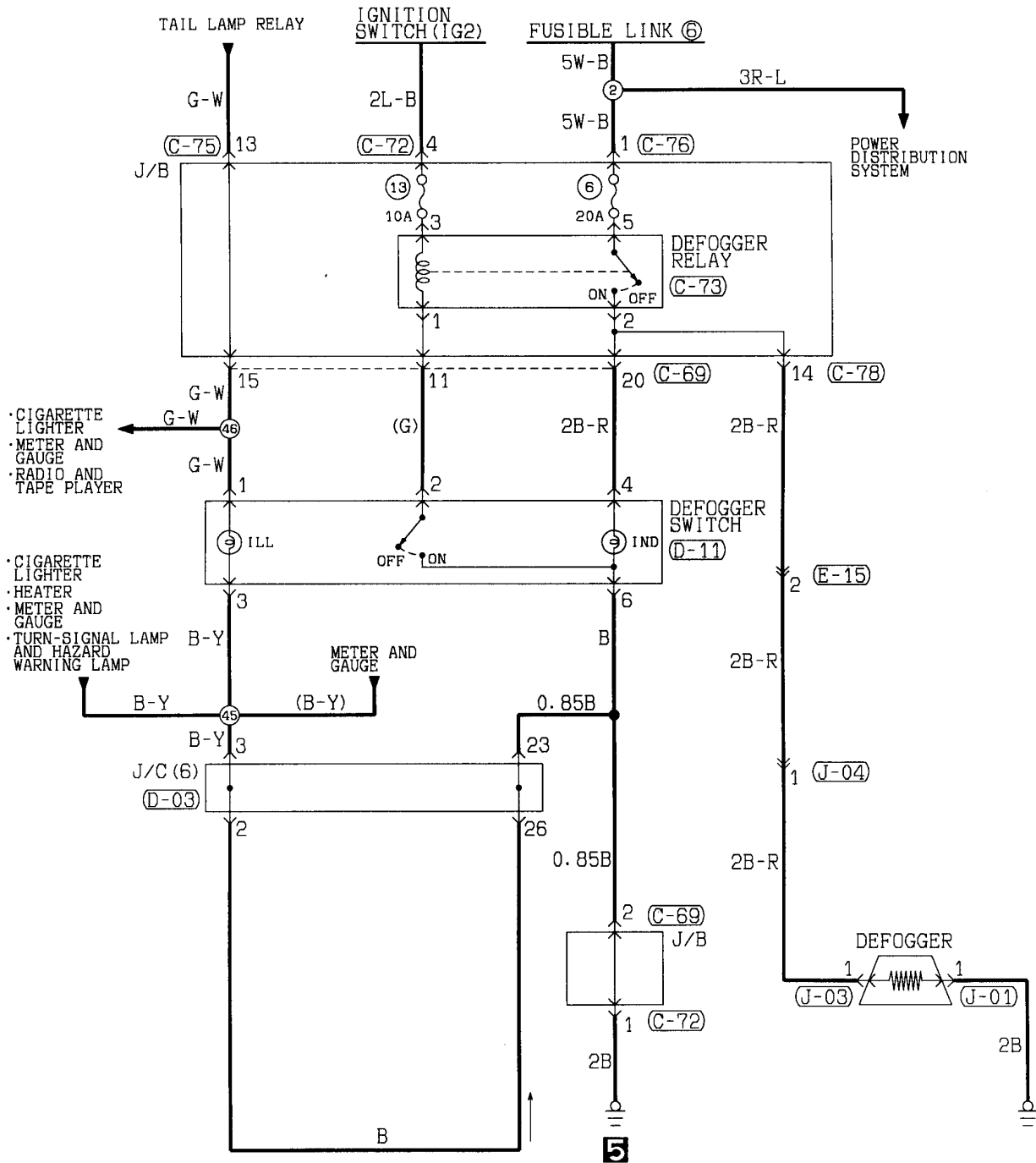




DEFOGGER

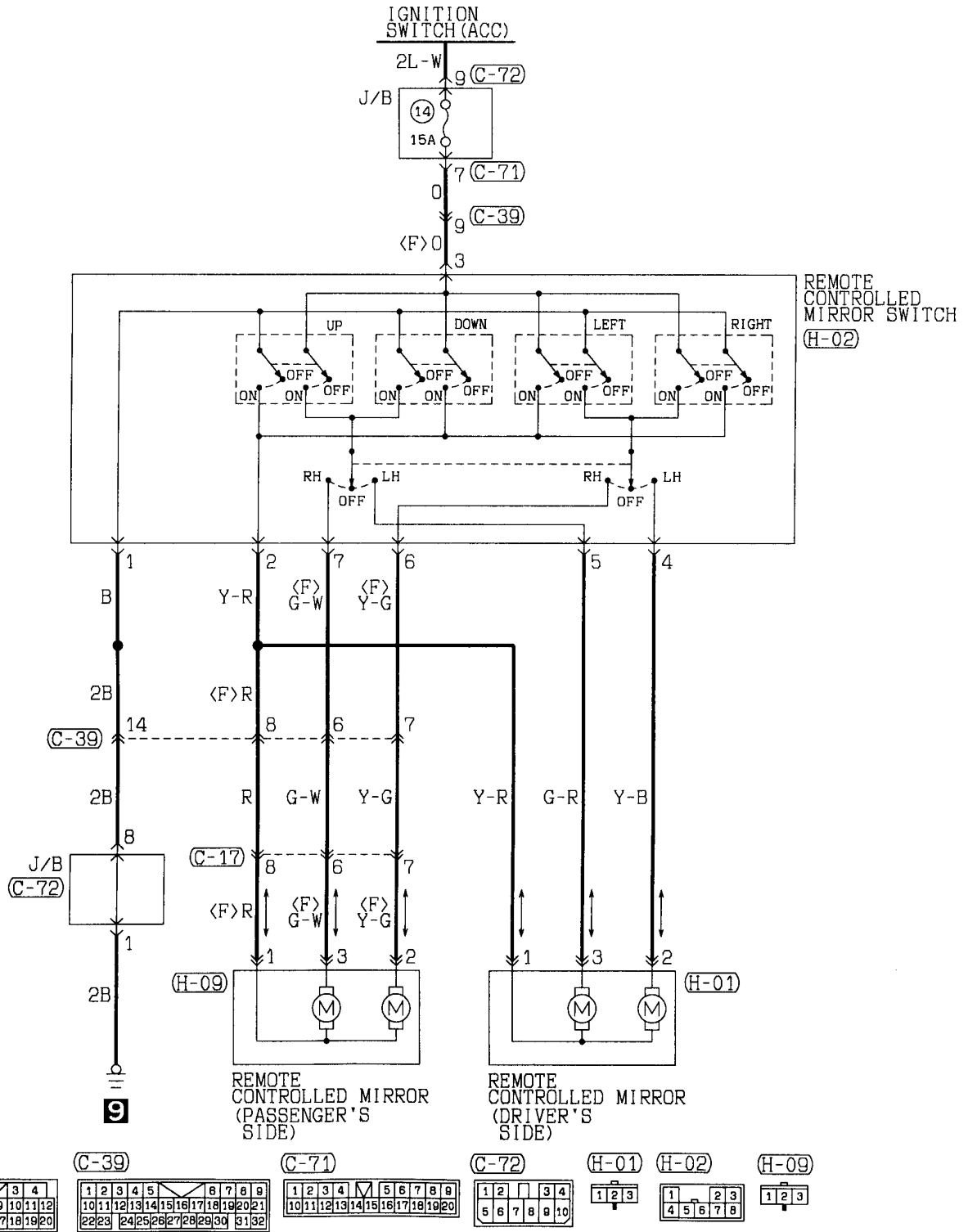
120002412

R.H. drive vehicles



REMOTE CONTROLLED MIRROR

120002413



Wire colour code  
 B:Black LG:Light green G:Green L:Blue W:White Y:Yellow SB:Sky blue  
 BR:Brown O:Orange GR:Gray R:Red P:Pink V:Violet

**REMOTE CONTROLLED MIRROR (See P. 4-200.)**

120002414

**OPERATION**

- When the remote controlled mirror switch is operated with the ignition switch in ACC or ON position, the motor is started allowing the driver to adjust the orientation of the mirror surface.

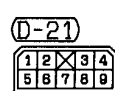
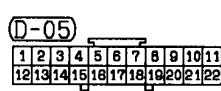
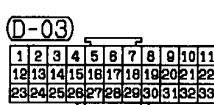
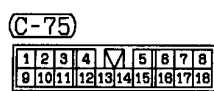
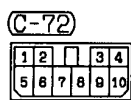
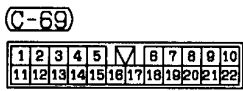
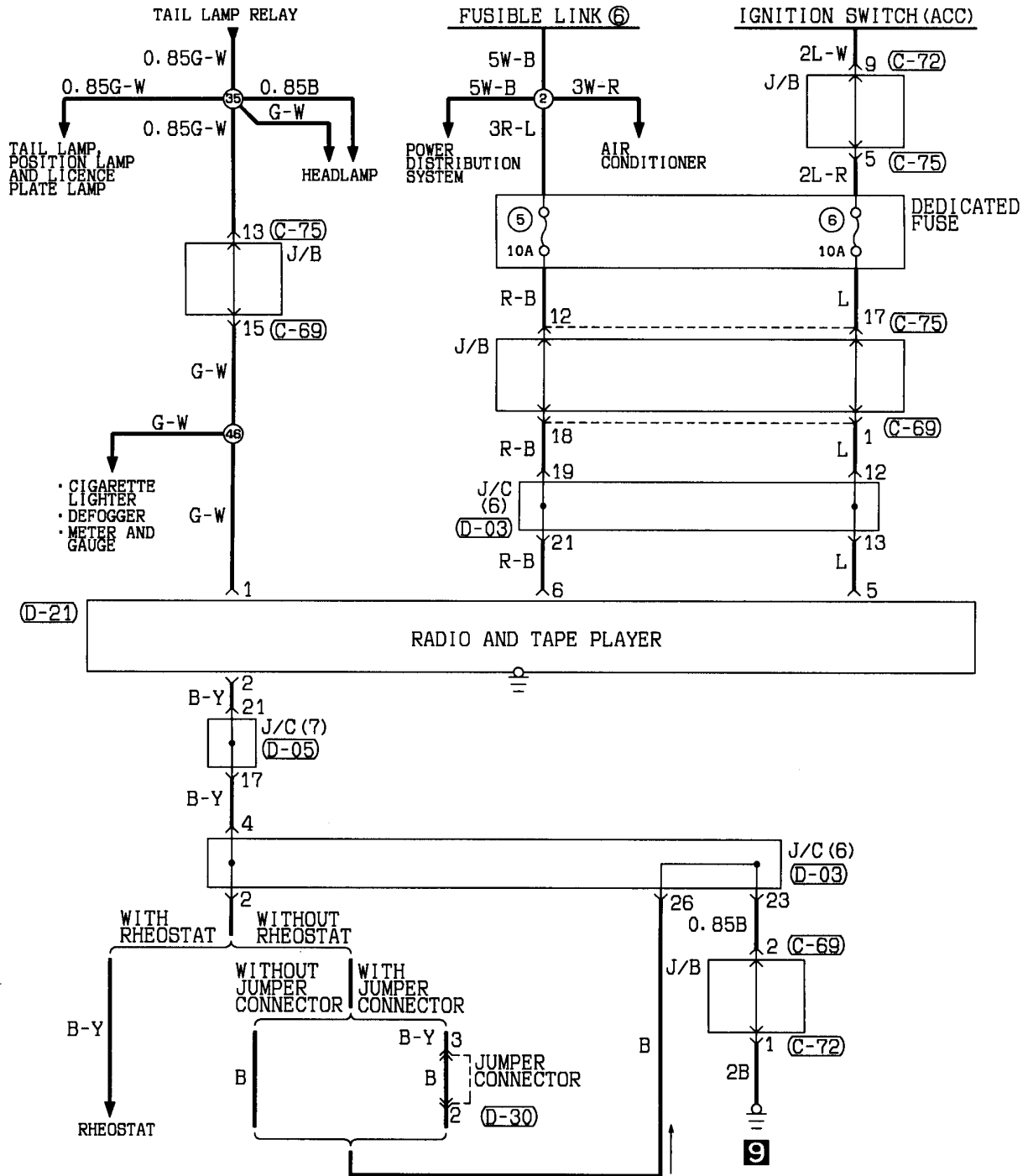
**TROUBLESHOOTING HINTS**

1. LH and RH mirrors do not move.
  - (1) Cigarette lighter is also inoperative.
    - Check multi-purpose fuse No. (14).
  - (2) Cigarette lighter is operative.
    - Check remote controlled mirror switch.

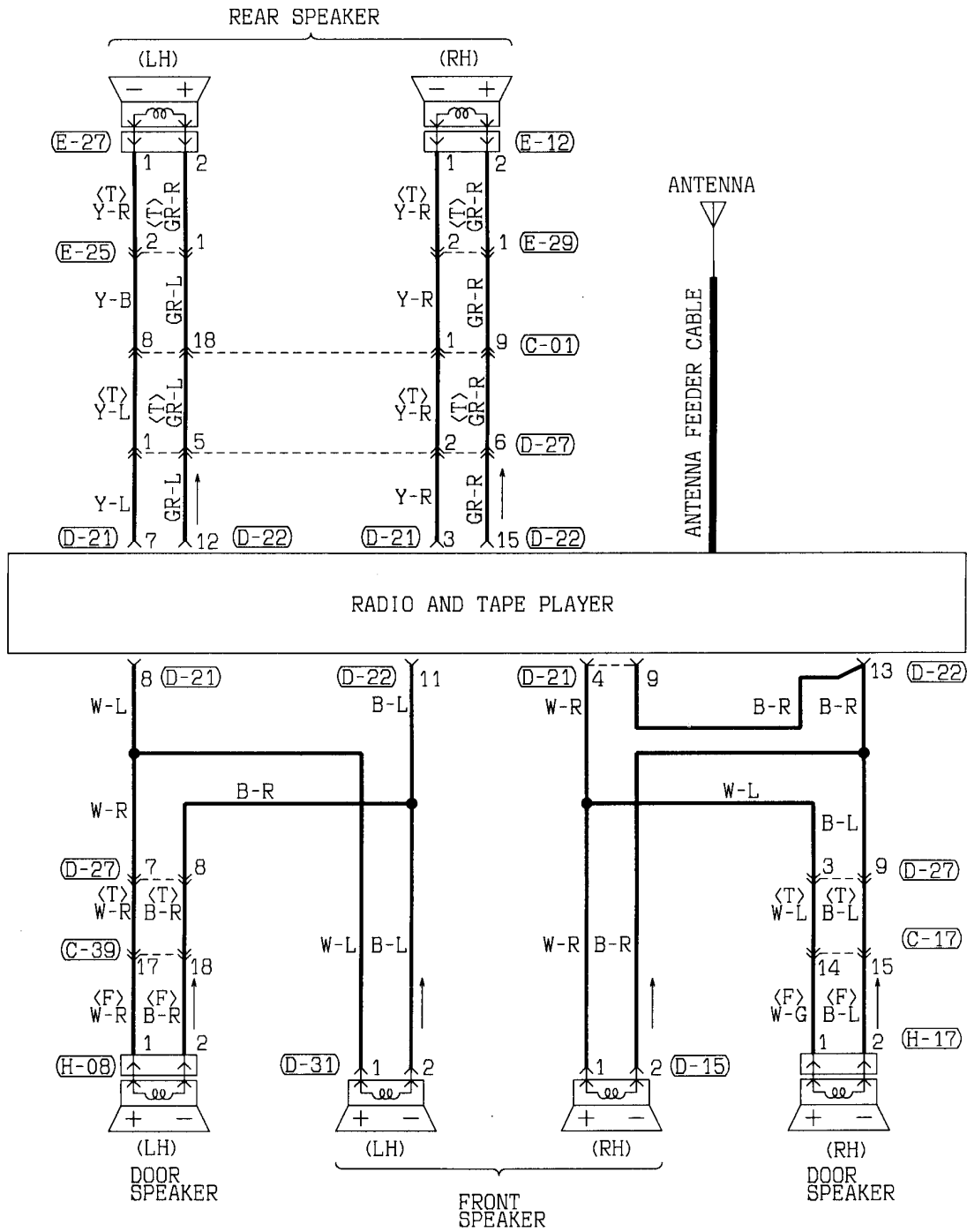
RADIO AND TAPE PLAYER

120002415

L.H. drive vehicles



Wire colour code  
 B:Black LG:Light green G:Green L:Blue W:White Y:Yellow SB:Sky blue  
 BR:Brown O:Orange GR:Gray R:Red P:Pink V:Violet



C-01

1	2	3	4	5	6	7	8		
9	10	11	12	13	14	15	16	17	18

C-17

1	2	3	4				
5	6	7	8	9	10	11	12
13	14	15	16	17	18	19	20

C-39

1	2	3	4	5	6	7	8	9			
10	11	12	13	14	15	16	17	18	19	20	21
22	23	24	25	26	27	28	29	30	31	32	

D-15

1
2

D-21

1	2	3	4	
5	6	7	8	9

D-22

1	2											
3	4	5	6	7	8	9	10	11	12	13	14	15

D-27

1	2	3	4		
5	6	7	8	9	10

D-31

1
2

E-12

1
2

E-25

1	2	3
---	---	---

E-27

1
2

E-29

1	2	3
---	---	---

H-08

1
2

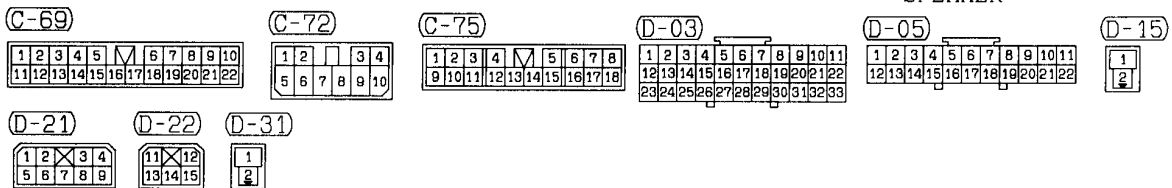
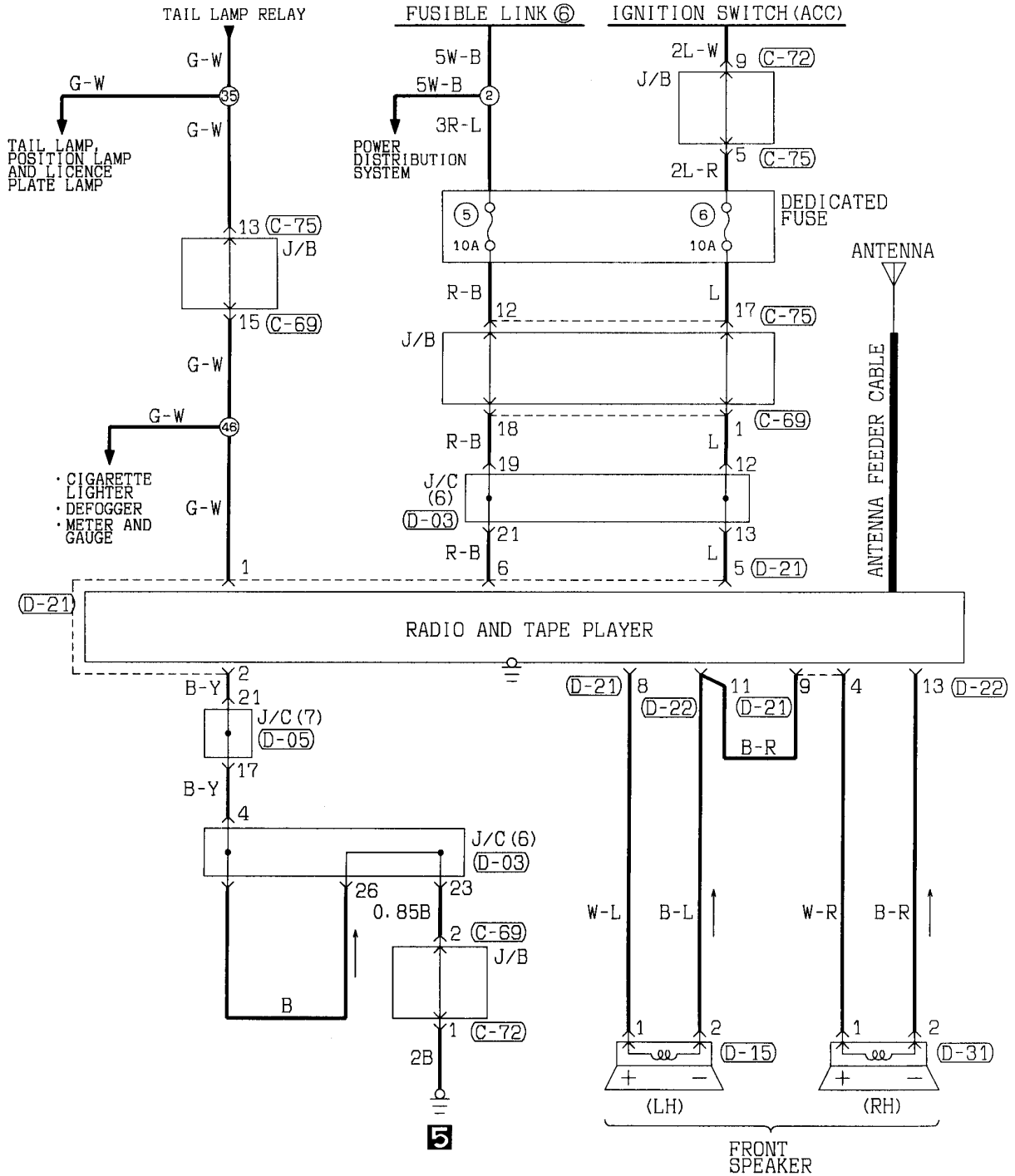
H-17

1
2

RADIO AND TAPE PLAYER

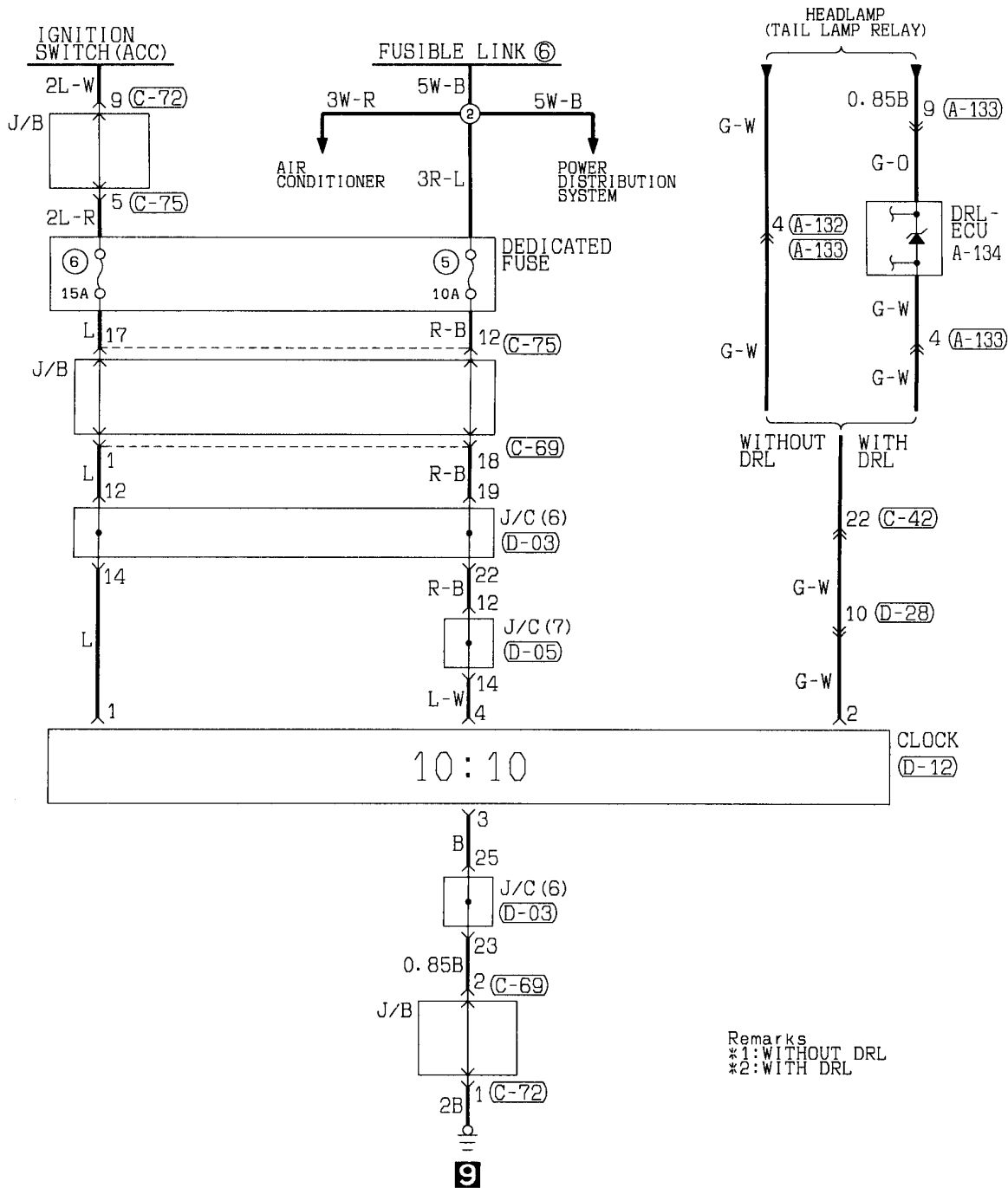
120002416

R.H. drive vehicles

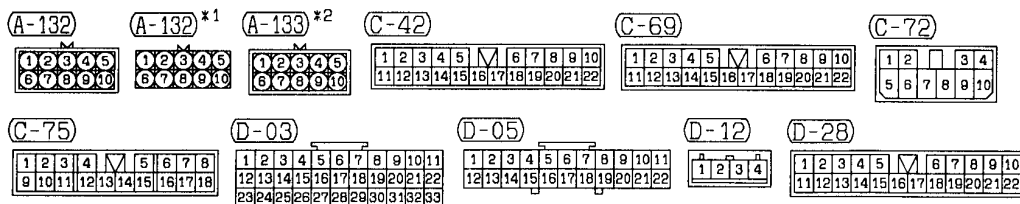


CLOCK

120002417



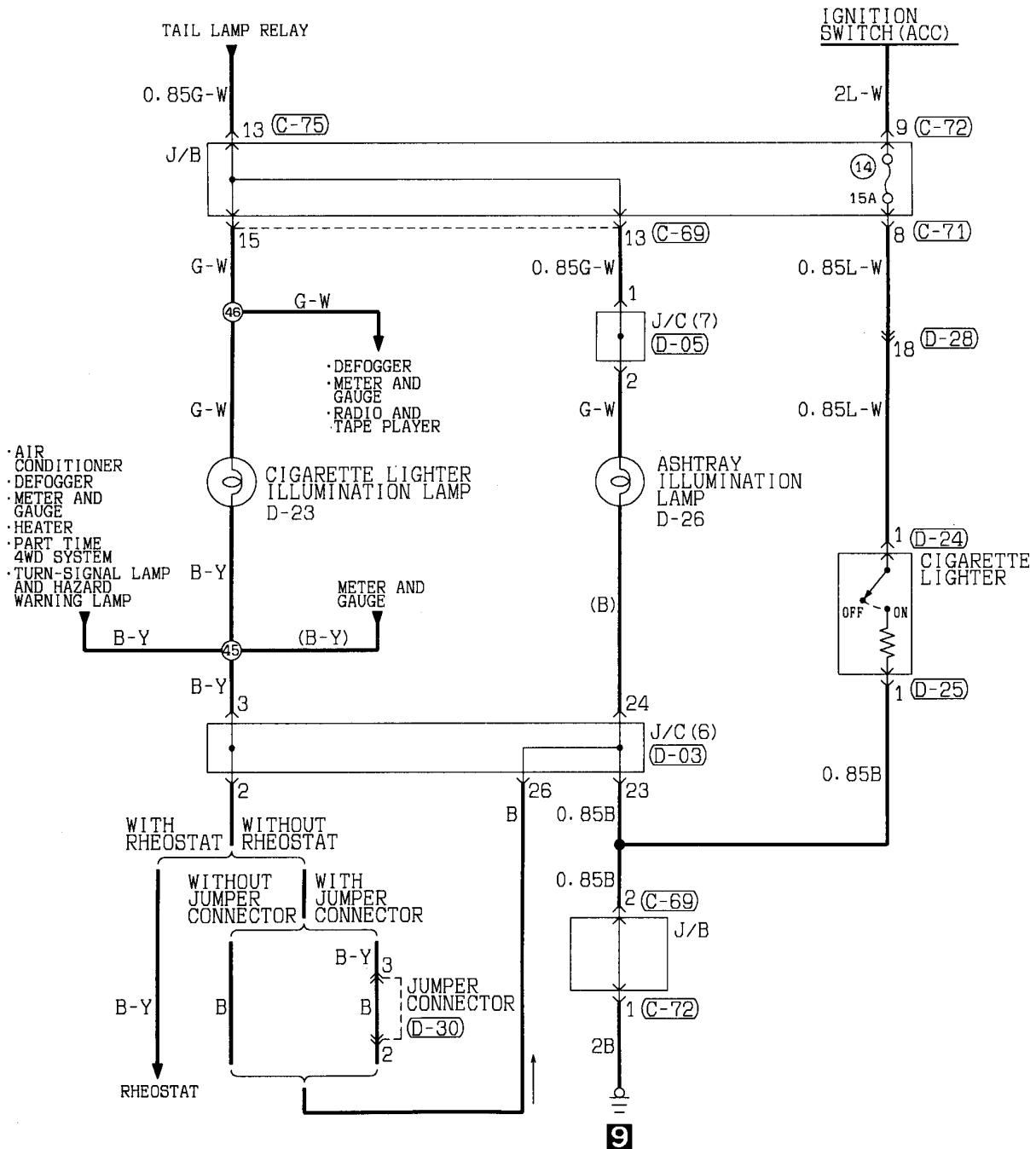
Remarks  
 \*1: WITHOUT DRL  
 \*2: WITH DRL



CIGARETTE LIGHTER

120002418

L.H. drive vehicles



C-69

1	2	3	4	5	M	6	7	8	9	10	
11	12	13	14	15	16	17	18	19	20	21	22

C-72

1	2	3	4		
5	6	7	8	9	10

C-75

1	2	3	4	M	5	6	7	8	
9	10	11	12	13	14	15	16	17	18

D-03

1	2	3	4	5	6	7	8	9	10	11
12	13	14	15	16	17	18	19	20	21	22
23	24	25	26	27	28	29	30	31	32	33

D-05

1	2	3	4	5	6	7	8	9	10	11
12	13	14	15	16	17	18	19	20	21	22

D-24

1
---

D-25

1
---

D-28

1	2	3	4	5	M	6	7	8	9	10	
11	12	13	14	15	16	17	18	19	20	21	22

D-30

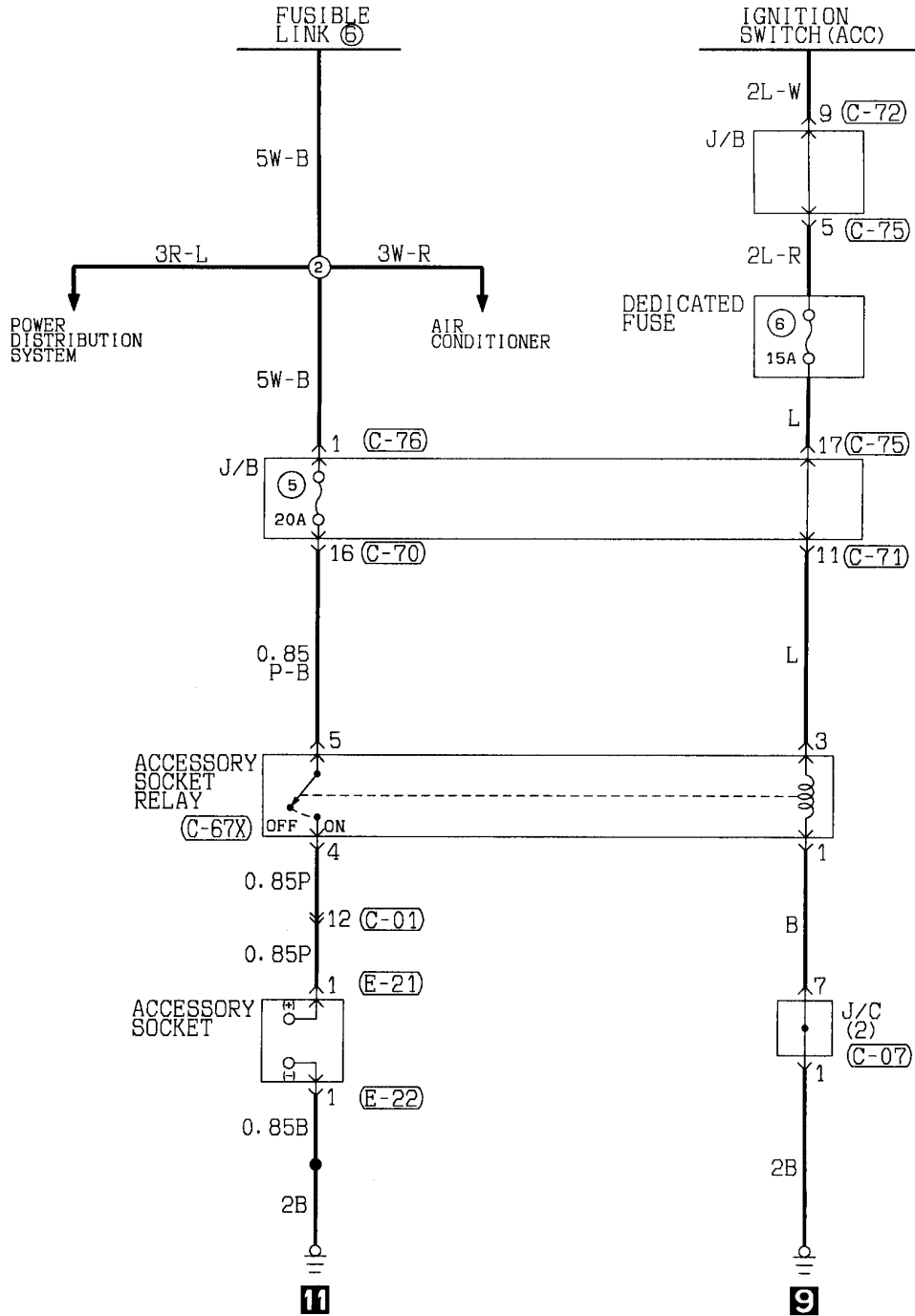
1	2	3	4
---	---	---	---





ACCESSORY SOCKET

120002420



C-01

1	2	3	4	5	6	7	8		
9	10	11	12	13	14	15	16	17	18

C-07

1	2	3	4	5	6	7	8	9	10	11
12	13	14	15	16	17	18	19	20	21	22
23	24	25	26	27	28	29	30	31	32	33

C-67X

1	2	3
4		
5		

C-70

1	2	3	4	5	6	7	8		
9	10	11	12	13	14	15	16	17	18

C-71

1	2	3	4	5	6	7	8	9		
10	11	12	13	14	15	16	17	18	19	20

C-72

1	2	3	4		
5	6	7	8	9	10

C-75

1	2	3	4	5	6	7	8		
9	10	11	12	13	14	15	16	17	18

C-76

1
---

E-21

1
---

E-22

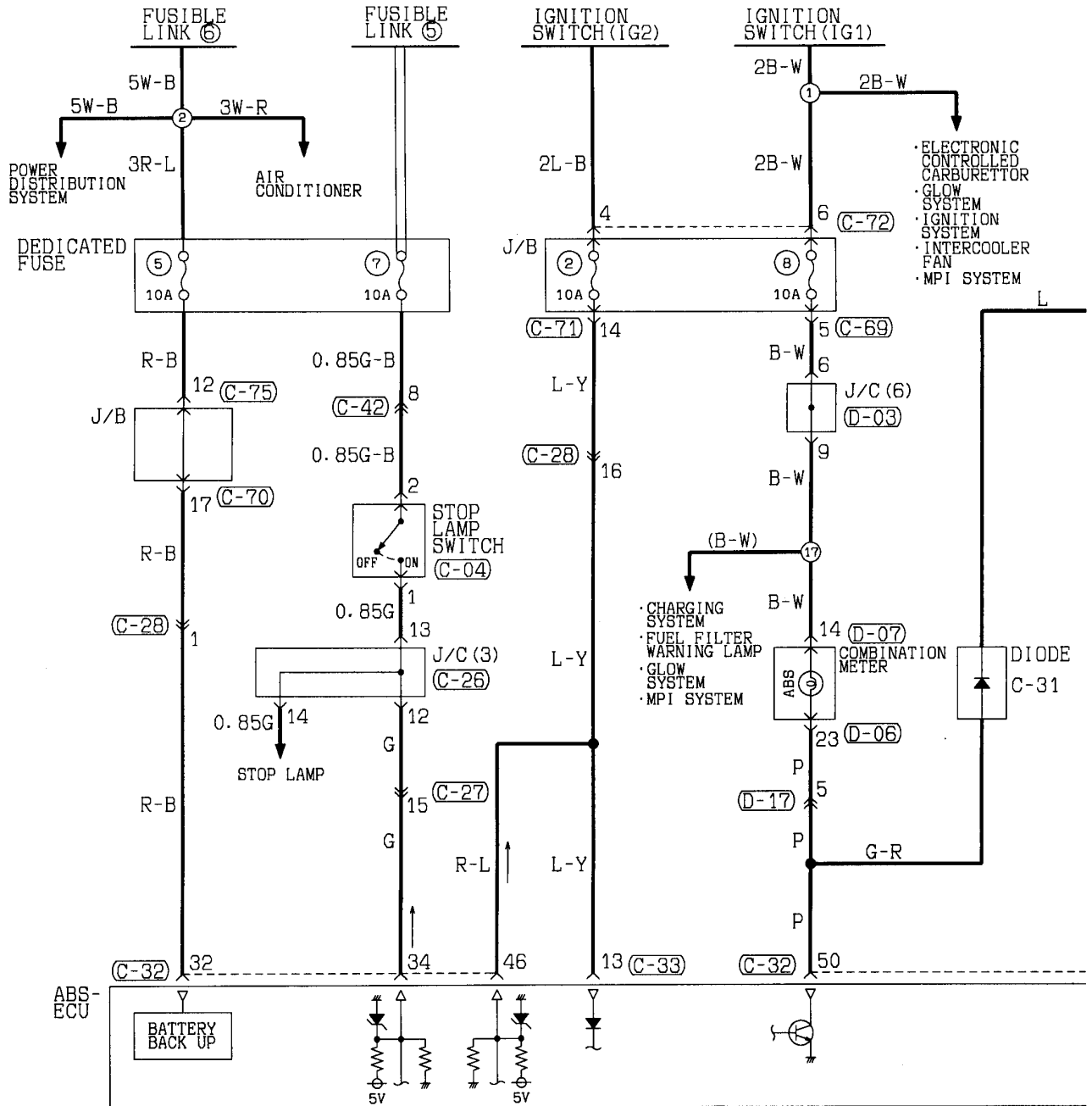
1
---

NOTES

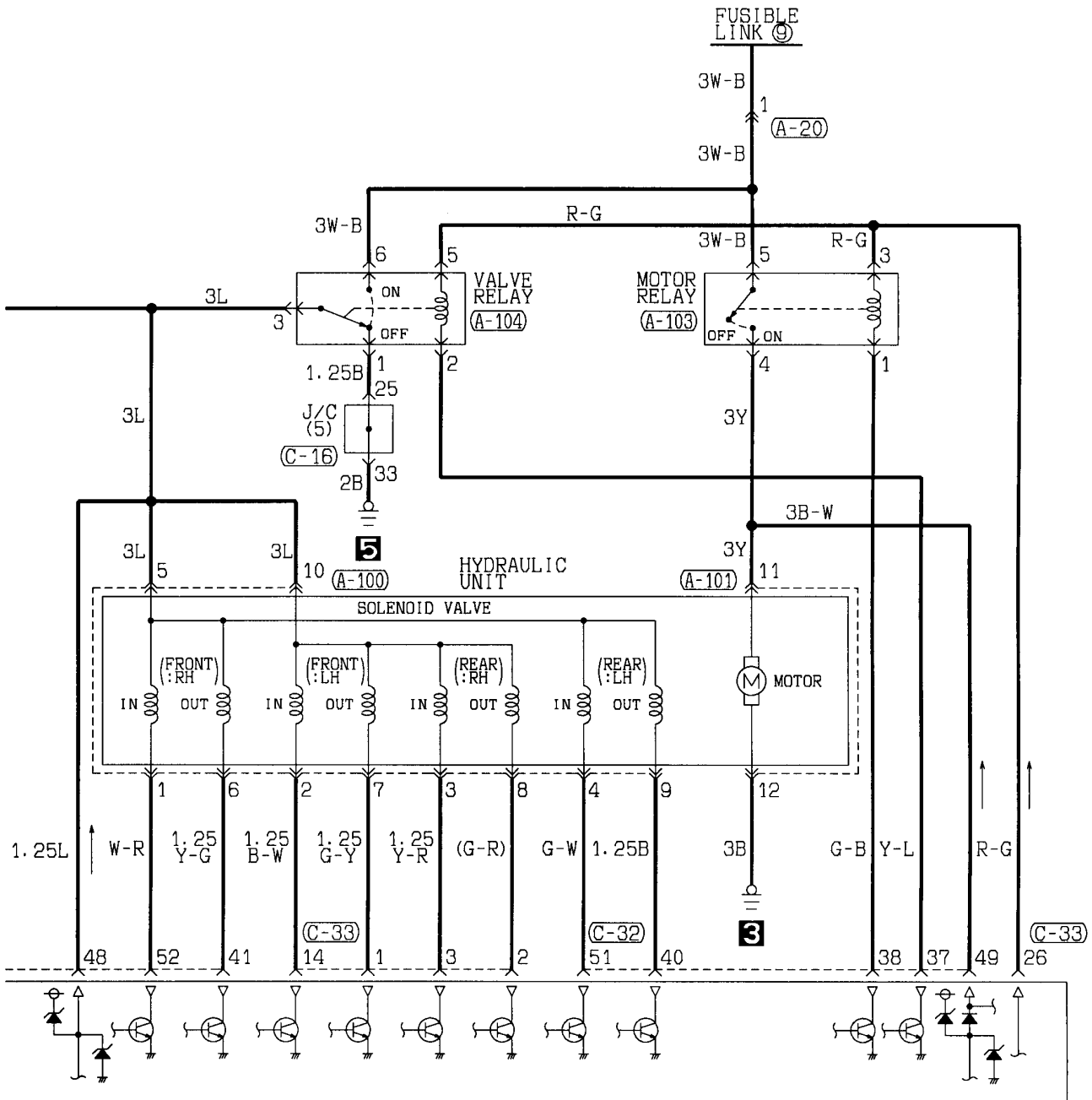
# ANTI-LOCK BRAKING SYSTEM (ABS)

120002421

L.H. drive vehicles <2WD>



<b>(C-04)</b> 1 2 3 4 5 6 7 8 9 10 11 12 13 14 15 16 17 18 19 20 21 22 23 24 25 26 27 28 29 30 31 32 33	<b>(C-26)</b> 1 2 3 4 5 6 7 8 9 10 11 12 13 14 15 16 17 18 19 20 21 22 23 24 25 26 27 28 29 30 31 32 33	<b>(C-27)</b> 1 2 3 4 M 5 6 7 8 9 10 11 12 13 14 15 16 17 18 19 20	<b>(C-28)</b> 1 2 3 4 M 5 6 7 8 9 10 11 12 13 14 15 16 17 18	<b>(C-32)</b> 31 32 33 34 35 36 37 38 39 40 41 42 43 44 45 46 47 48 49 50 51 52	<b>(C-33)</b> 1 2 3 4 5 6 7 8 9 10 11 12 13 14 15 16 17 18 19 20 21 22 23 24 25 26
<b>(C-42)</b> 1 2 3 4 5 M 6 7 8 9 10 11 12 13 14 15 16 17 18 19 20 21 22	<b>(C-69)</b> 1 11 12 13 14 15 16 17 18 19 20 21 22 1 11 12 13 14 15 16 17 18 19 20 21 22	<b>(C-70)</b> 1 2 3 4 M 5 6 7 8 9 10 11 12 13 14 15 16 17 18	<b>(C-71)</b> 1 2 3 4 M 5 6 7 8 9 10 11 12 13 14 15 16 17 18 19 20	<b>(C-72)</b> 1 2 3 4 5 6 7 8 9 10	<b>(C-75)</b> 1 2 3 4 M 5 6 7 8 9 10 11 12 13 14 15 16 17 18
<b>(D-03)</b> 1 2 3 4 5 6 7 8 9 10 11 12 13 14 15 16 17 18 19 20 21 22 23 24 25 26 27 28 29 30 31 32 33	<b>(D-06)</b> 21 22 23 24 25 26 X 27 28 29 30	<b>(D-07)</b> 1 2 3 4 5 6 X 7 8 9 10 11 12 13 14	<b>(D-17)</b> 1 2 3 4 M 5 6 7 8 9 10 11 12 13 14 15 16 17 18		



(A-20)

1	2
---	---

(A-100)

1	2	3	4	5
6	7	8	9	10

(A-101)

1	2
---	---

(A-103)

1	2	3
4	5	6

(A-104)

1	2	3
4	5	6

(C-16)

1	2	3	4	5	6	7	8	9	10	11
12	13	14	15	16	17	18	19	20	21	22
23	24	25	26	27	28	29	30	31	32	33

(C-32)

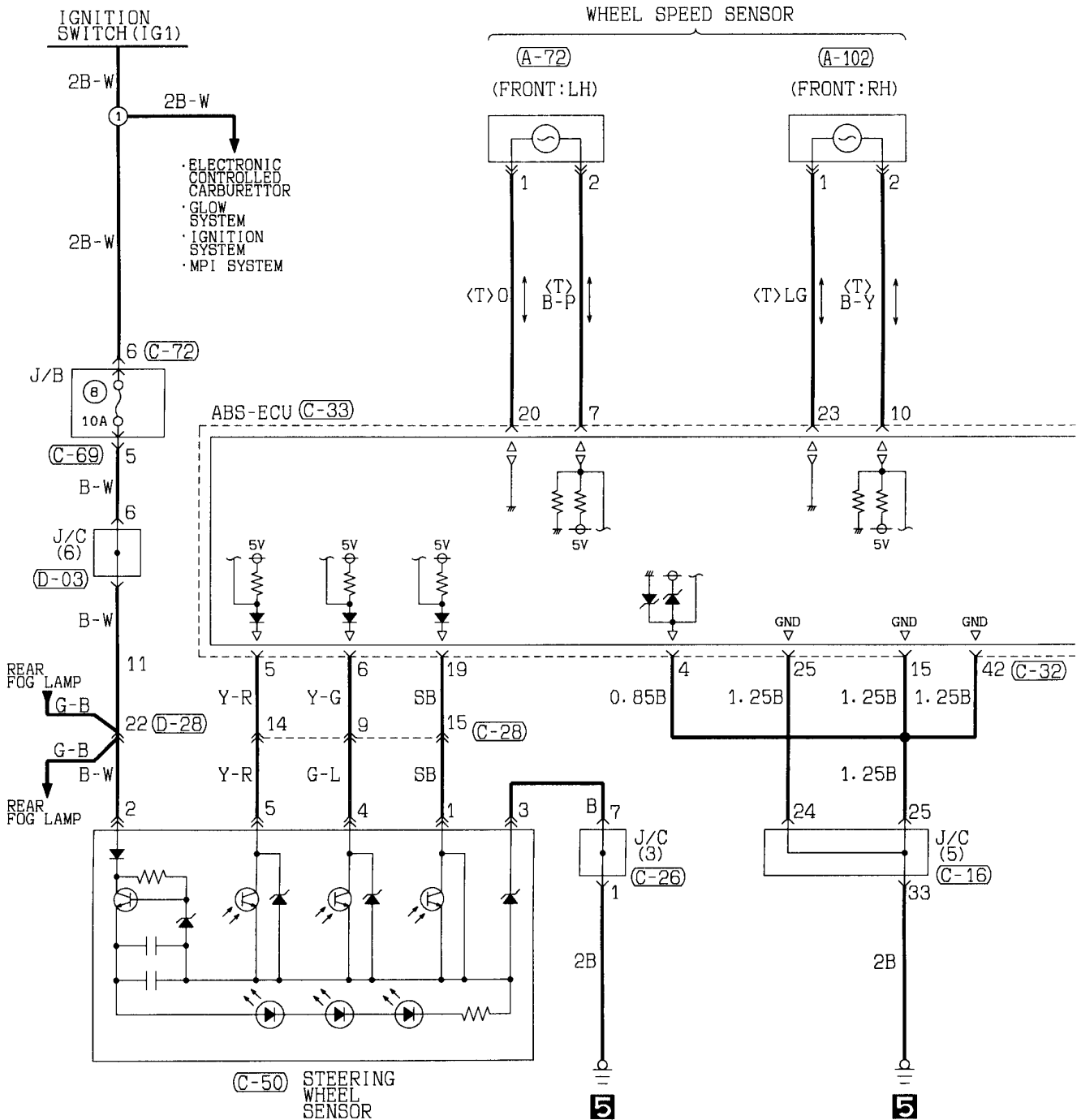
31	32	33	34	35	36	37	38	39	40	41
42	43	44	45	46	47	48	49	50	51	52

(C-33)

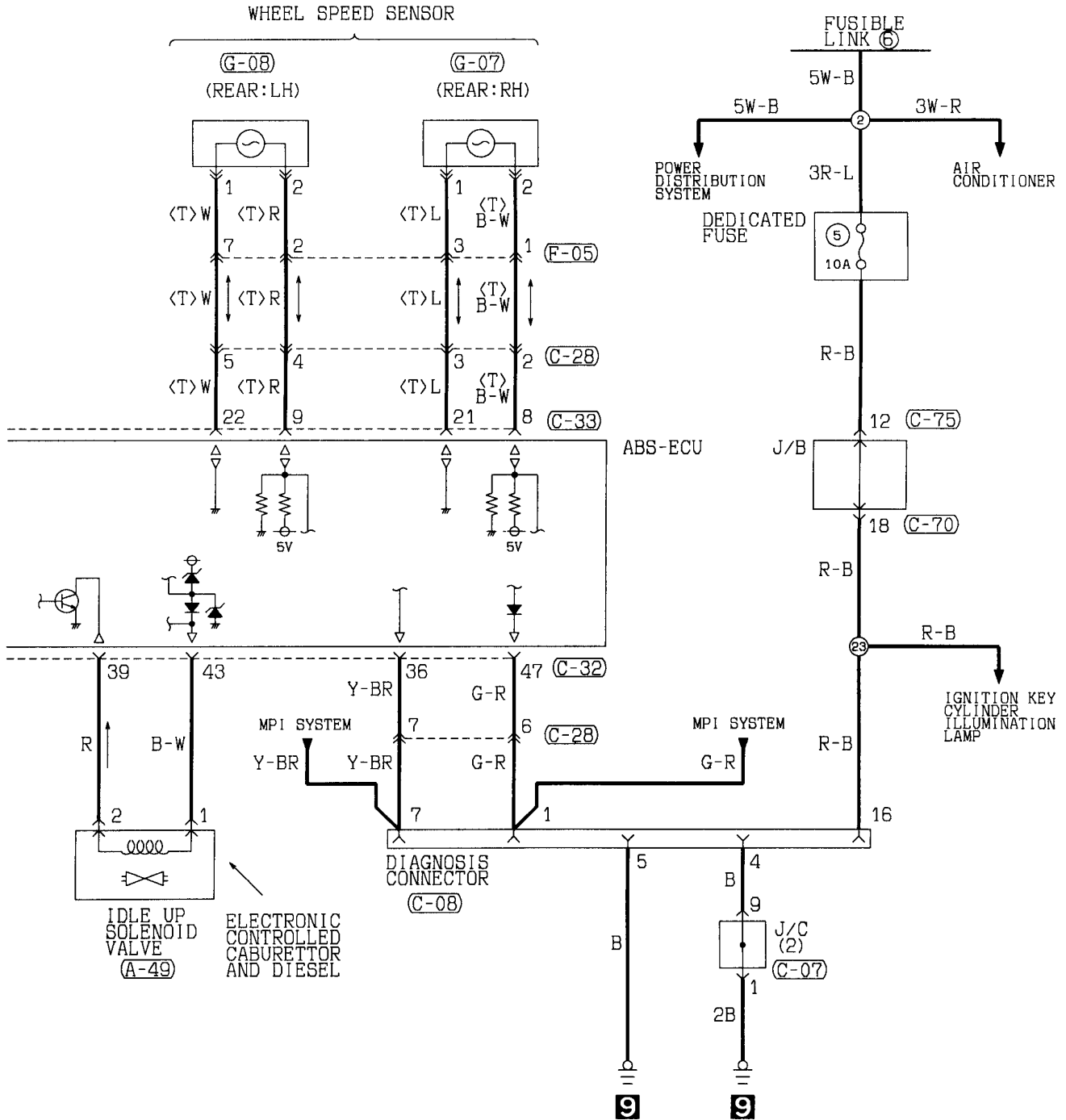
1	2	3	4	5	6	7	8	9	10	11	12	13
14	15	16	17	18	19	20	21	22	23	24	25	26

Wire colour code  
 B:Black LG:Light green G:Green L:Blue W:White Y:Yellow SB:Sky blue  
 BR:Brown O:Orange GR:Gray R:Red P:Pink V:Violet

ANTI-LOCK BRAKING SYSTEM <L.H. drive vehicles (2WD)> (CONTINUED)



<b>(A-72)</b> 1 2	<b>(A-102)</b> 1 2	<b>(C-16)</b> 1 2 3 4 5 6 7 8 9 10 11 12 13 14 15 16 17 18 19 20 21 22 23 24 25 26 27 28 29 30 31 32 33	<b>(C-26)</b> 1 2 3 4 5 6 7 8 9 10 11 12 13 14 15 16 17 18 19 20 21 22 23 24 25 26 27 28 29 30 31 32 33	<b>(C-28)</b> 1 2 3 4 5 6 7 8 9 10 11 12 13 14 15 16 17 18	<b>(C-32)</b> 31 32 33 34 35 36 37 38 39 40 41 42 43 44 45 46 47 48 49 50 51 52
<b>(C-33)</b> 1 2 3 4 5 6 7 8 9 10 11 12 13 14 15 16 17 18 19 20 21 22 23 24 25 26	<b>(C-50)</b> 1 2 3 4 5	<b>(C-69)</b> 1 2 3 4 5 6 7 8 9 10 11 12 13 14 15 16 17 18 19 20 21 22	<b>(C-72)</b> 1 2 3 4 5 6 7 8 9 10	<b>(D-03)</b> 1 2 3 4 5 6 7 8 9 10 11 12 13 14 15 16 17 18 19 20 21 22 23 24 25 26 27 28 29 30 31 32 33	<b>(D-28)</b> 1 2 3 4 5 6 7 8 9 10 11 12 13 14 15 16 17 18 19 20 21 22

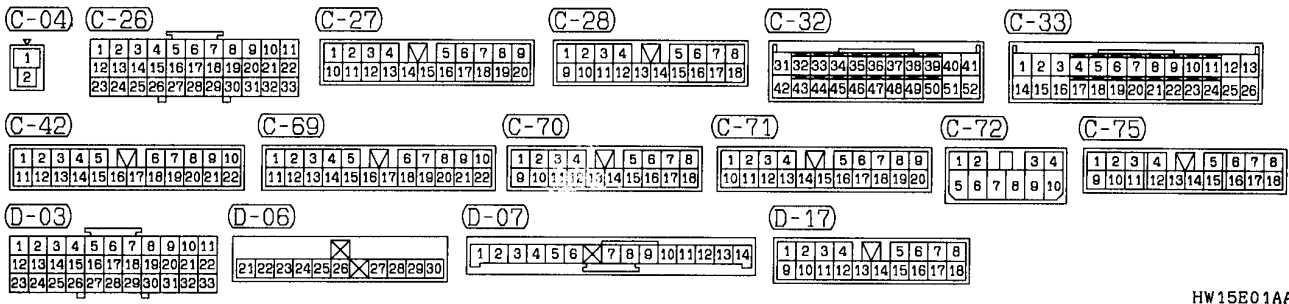
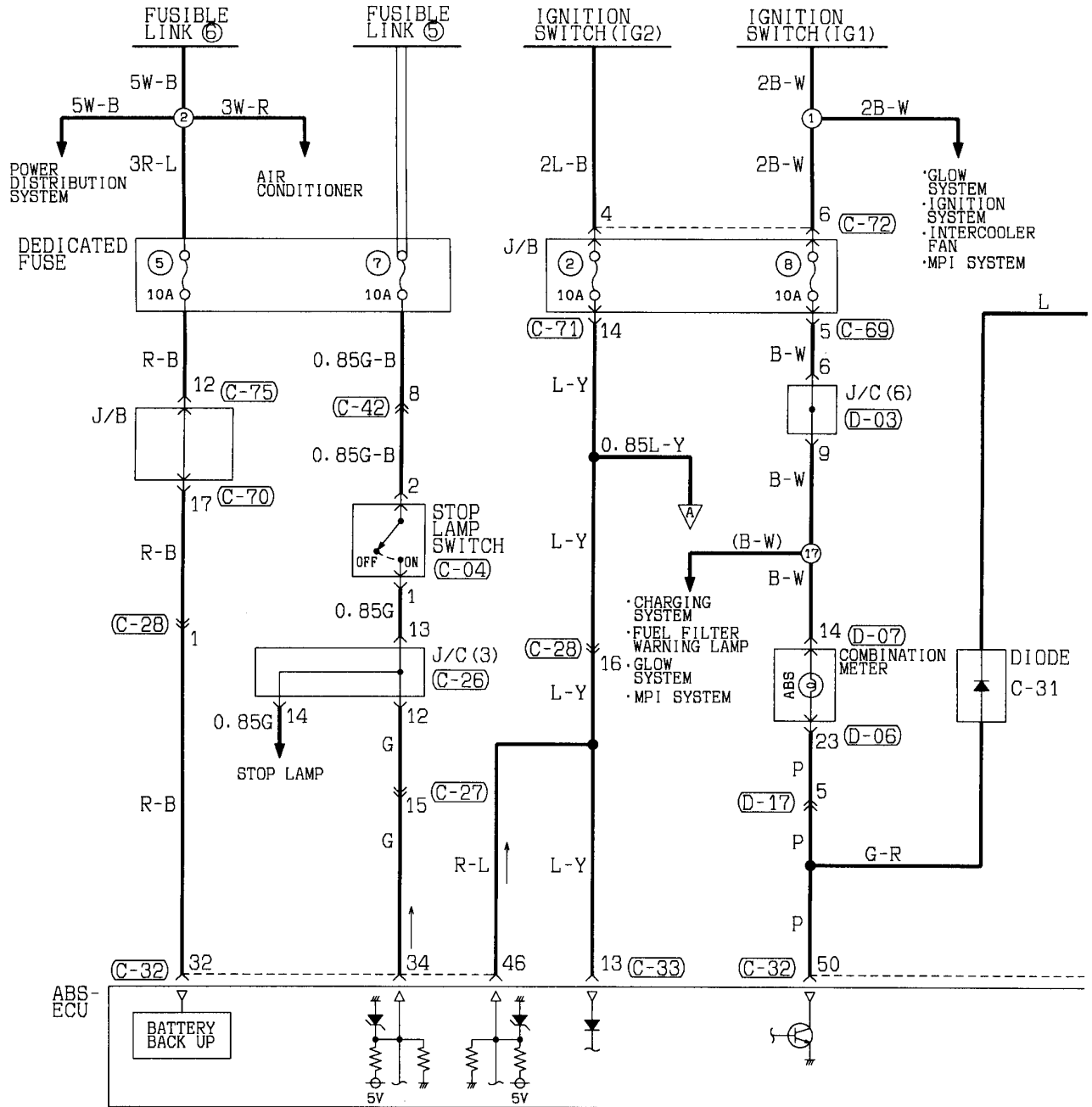


<b>(A-49)</b> 1 2	<b>(C-07)</b> 1 2 3 4 5 6 7 8 9 10 11 12 13 14 15 16 17 18 19 20 21 22 23 24 25 26 27 28 29 30 31 32 33	<b>(C-08) FRONT SIDE</b> 1 2 3 4 5 6 7 8 9 10 11 12 13 14 15 16	<b>(C-28)</b> 1 2 3 4 5 6 7 8 9 10 11 12 13 14 15 16 17 18	<b>(C-32)</b> 31 32 33 34 35 36 37 38 39 40 41 42 43 44 45 46 47 48 49 50 51 52	<b>(C-33)</b> 1 2 3 4 5 6 7 8 9 10 11 12 13 14 15 16 17 18 19 20 21 22 23 24 25 26
<b>(C-70)</b> 1 2 3 4 5 6 7 8 9 10 11 12 13 14 15 16 17 18	<b>(C-75)</b> 1 2 3 4 5 6 7 8 9 10 11 12 13 14 15 16 17 18	<b>(F-05)</b> 1 2 3 4 5 6 7	<b>(G-07)</b> 1 2	<b>(G-08)</b> 1 2	

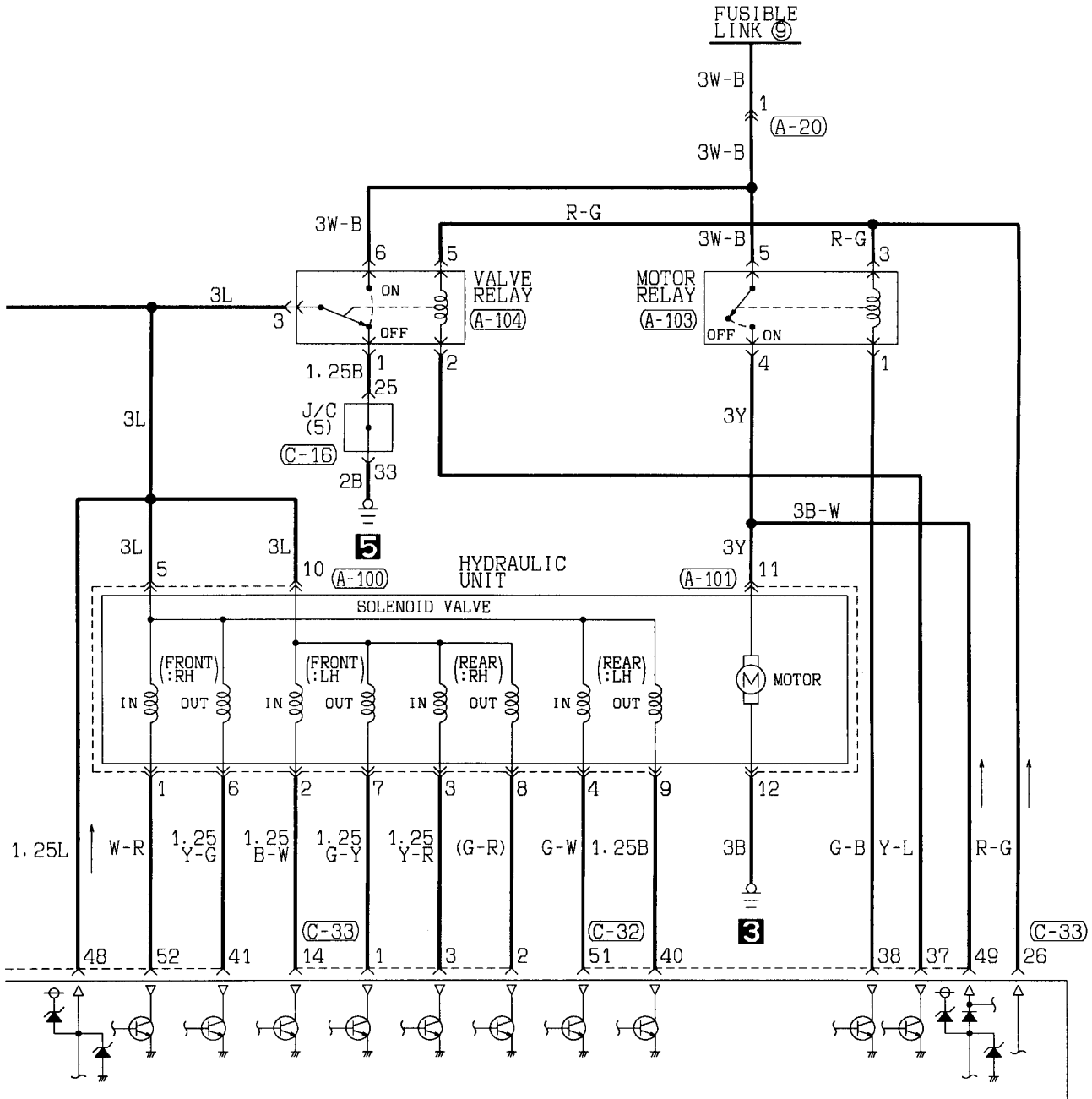
ANTI-LOCK BRAKING SYSTEM (ABS)

120002422

L.H. drive vehicles <4WD>



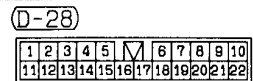
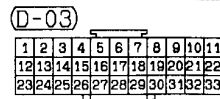
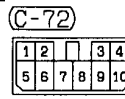
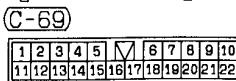
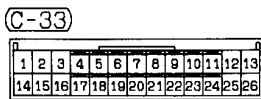
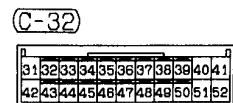
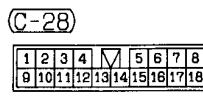
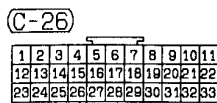
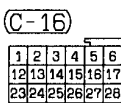
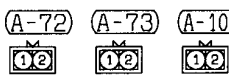
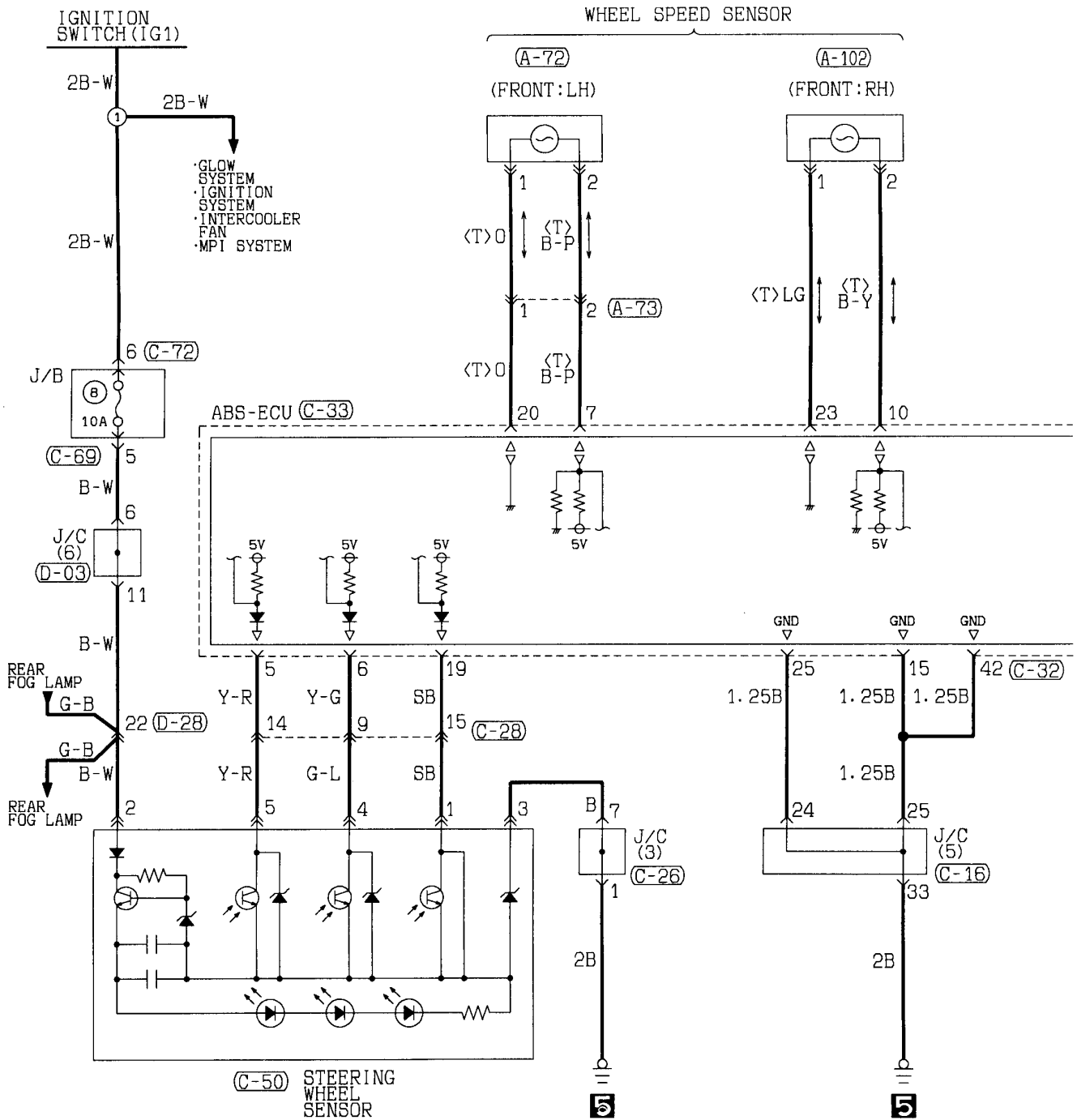


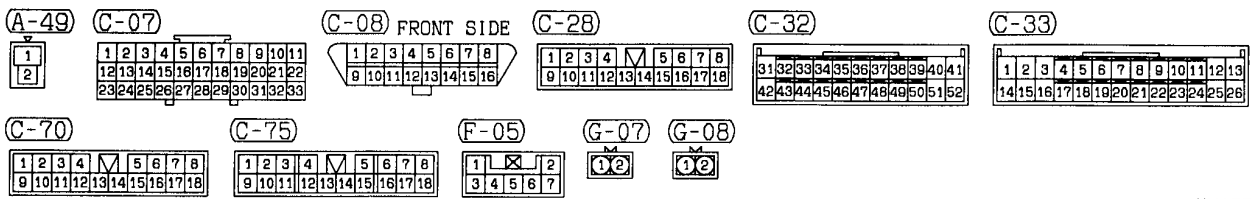
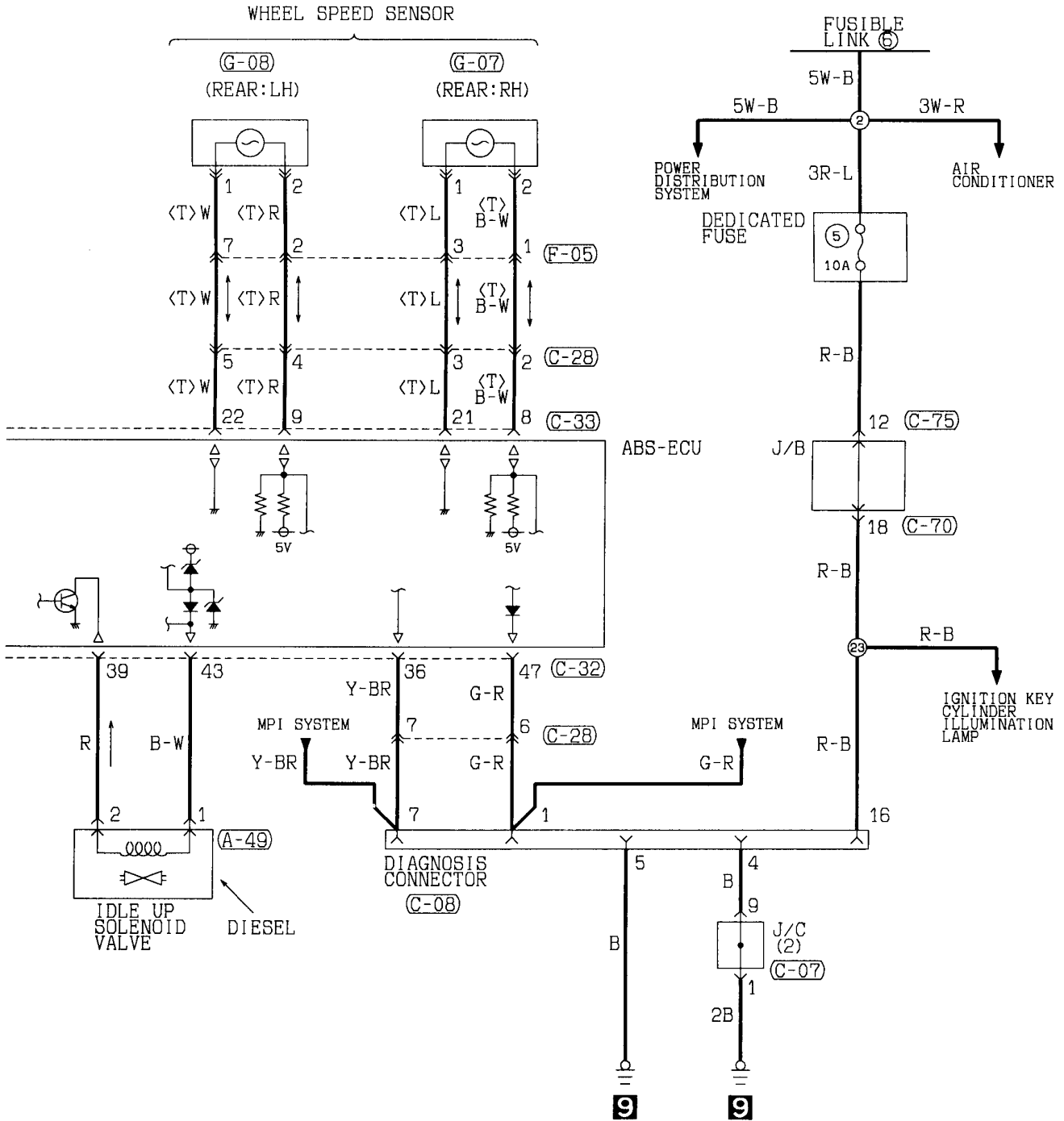


(A-20)	(A-100)	(A-101)	(A-103)	(A-104)	(C-16)	(C-32)	(C-33)
1	1 2 3 4 5 6 7 8 9 10	1 2	1 2 3 4 5	1 2 3 4 5 6	1 2 3 4 5 6 7 8 9 10 11 12 13 14 15 16 17 18 19 20 21 22 23 24 25 26 27 28 29 30 31 32 33	31 32 33 34 35 36 37 38 39 40 41 42 43 44 45 46 47 48 49 50 51 52	1 2 3 4 5 6 7 8 9 10 11 12 13 14 15 16 17 18 19 20 21 22 23 24 25 26

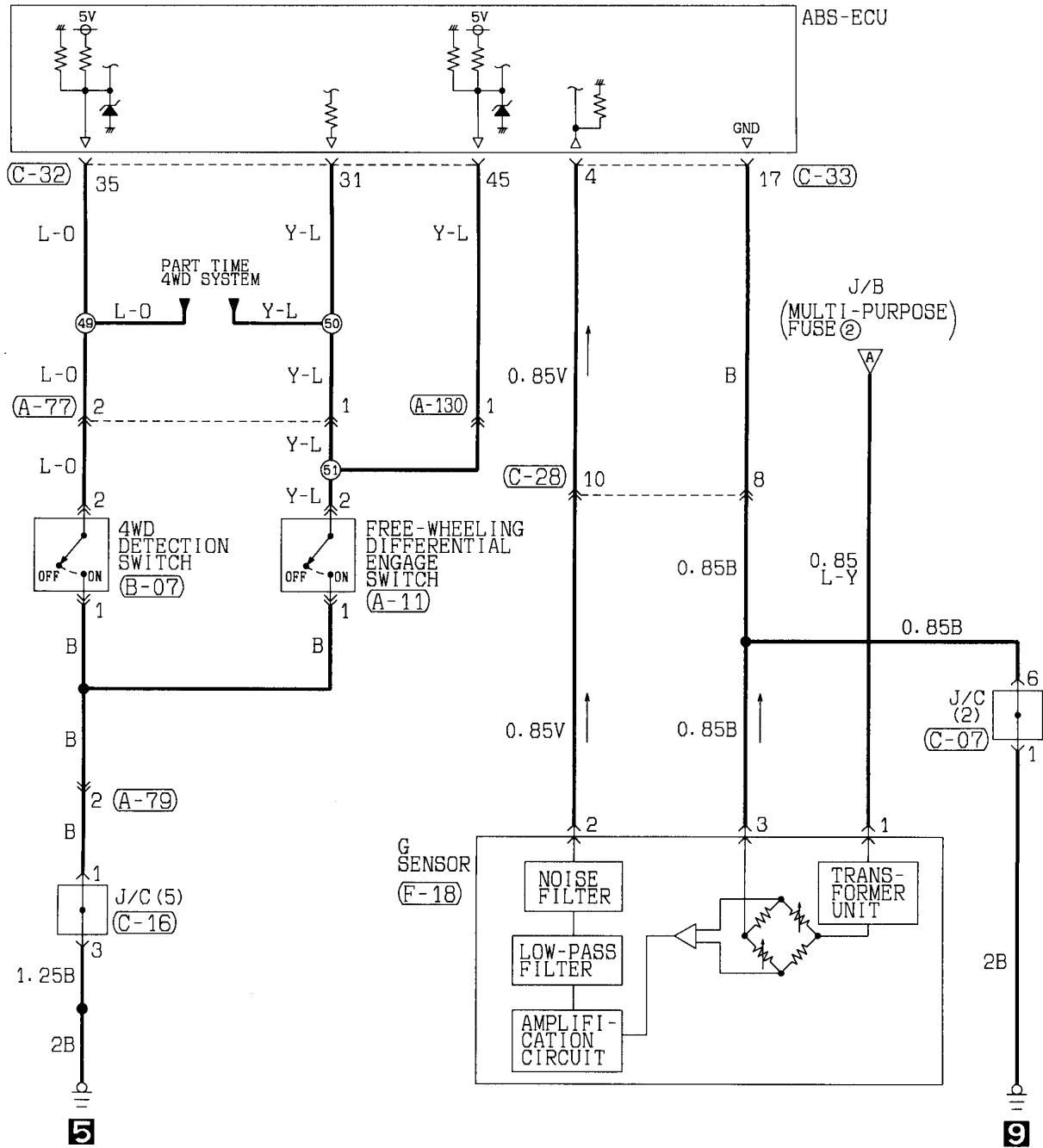
Wire colour code  
 B:Black LG:Light green G:Green L:Blue W:White Y:Yellow SB:Sky blue  
 BR:Brown O:Orange GR:Gray R:Red P:Pink V:Violet

ANTI-LOCK BRAKING SYSTEM <L.H. drive vehicles (4WD)> (CONTINUED)





ANTI-LOCK BRAKING SYSTEM <L.H. drive vehicles (4WD)> (CONTINUED)



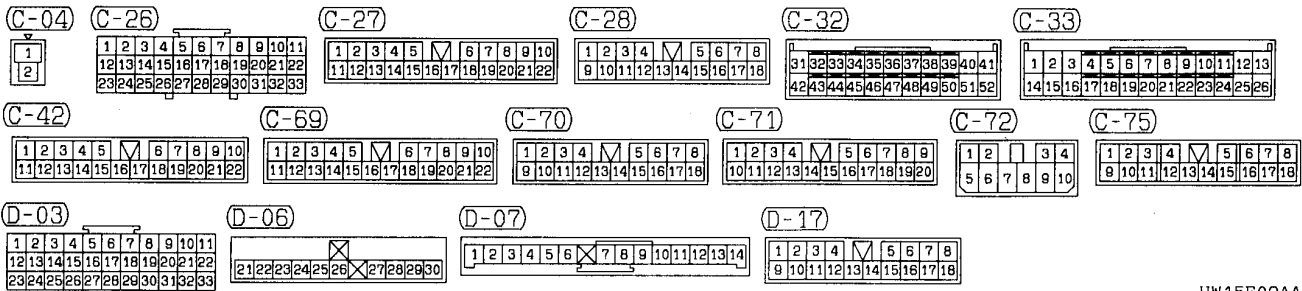
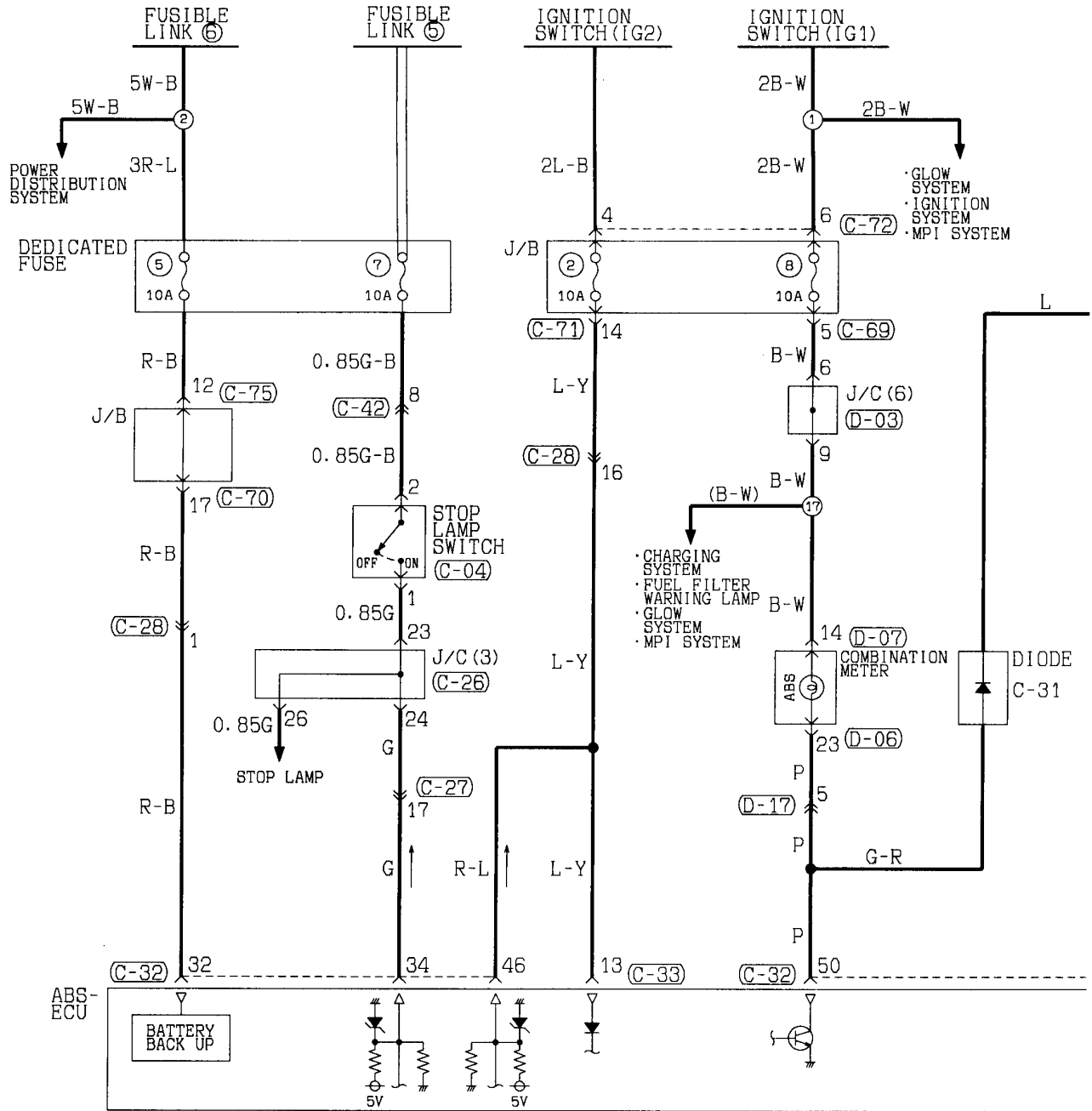
<b>(A-11)</b> 1 2	<b>(A-77)</b> 1 2 3	<b>(A-79)</b> 1 2 3 4	<b>(A-130)</b> 1	<b>(B-07)</b> 1 2	<b>(C-07)</b> 1 2 3 4 5 6 7 8 9 10 11 12 13 14 15 16 17 18 19 20 21 22 23 24 25 26 27 28 29 30 31 32 33	<b>(C-16)</b> 1 2 3 4 5 6 7 8 9 10 11 12 13 14 15 16 17 18 19 20 21 22 23 24 25 26 27 28 29 30 31 32 33	<b>(C-28)</b> 1 2 3 4 5 6 7 8 9 10 11 12 13 14 15 16 17 18
<b>(C-32)</b> 31 32 33 34 35 36 37 38 39 40 41 42 43 44 45 46 47 48 49 50 51 52	<b>(C-33)</b> 1 2 3 4 5 6 7 8 9 10 11 12 13 14 15 16 17 18 19 20 21 22 23 24 25 26	<b>(F-18)</b> 1 2 3					

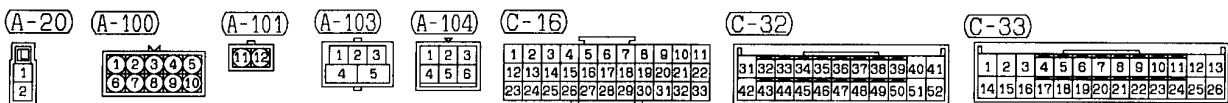
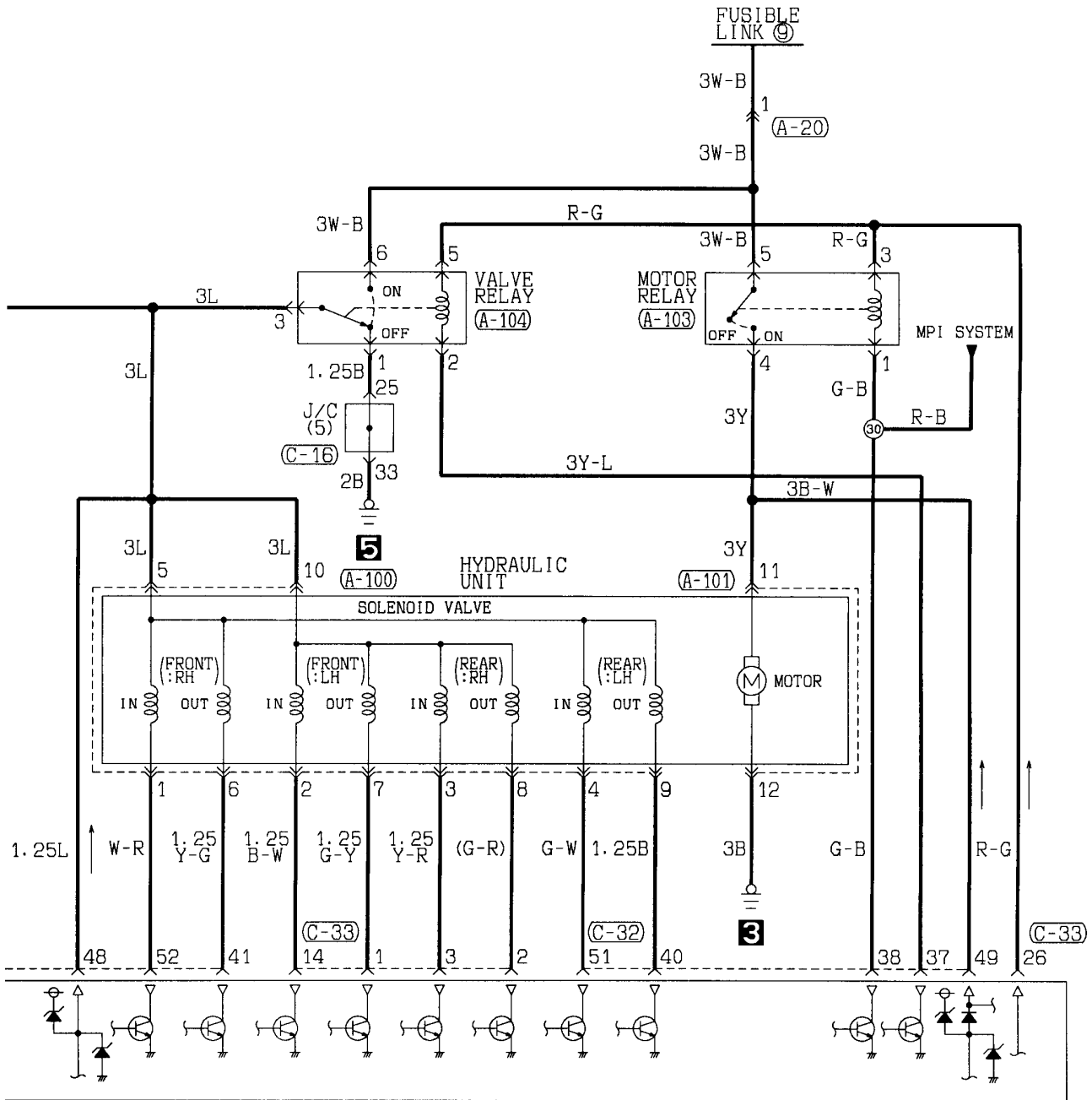
NOTES

ANTI-LOCK BRAKING SYSTEM (ABS)

120002423

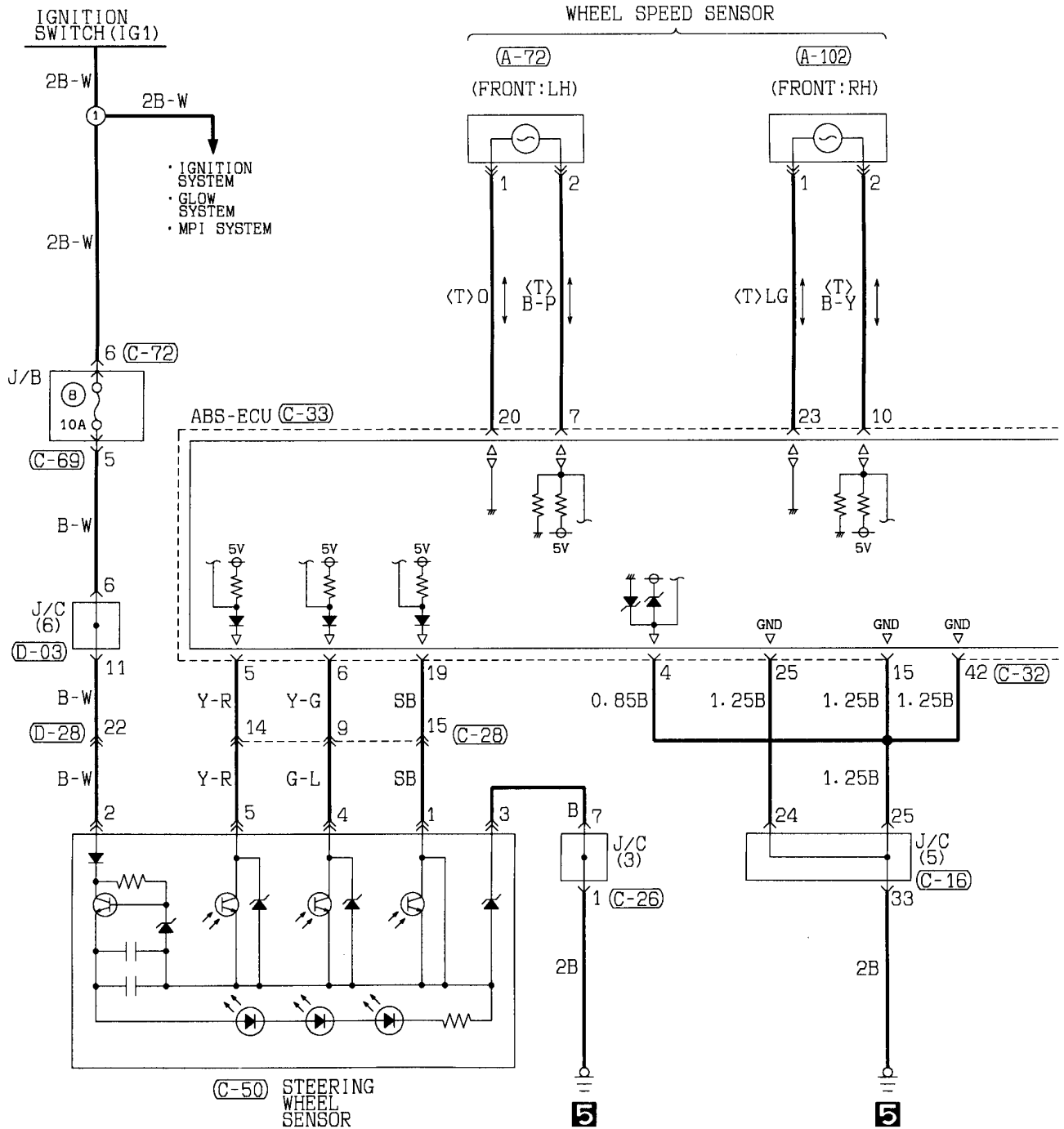
R.H. drive vehicles





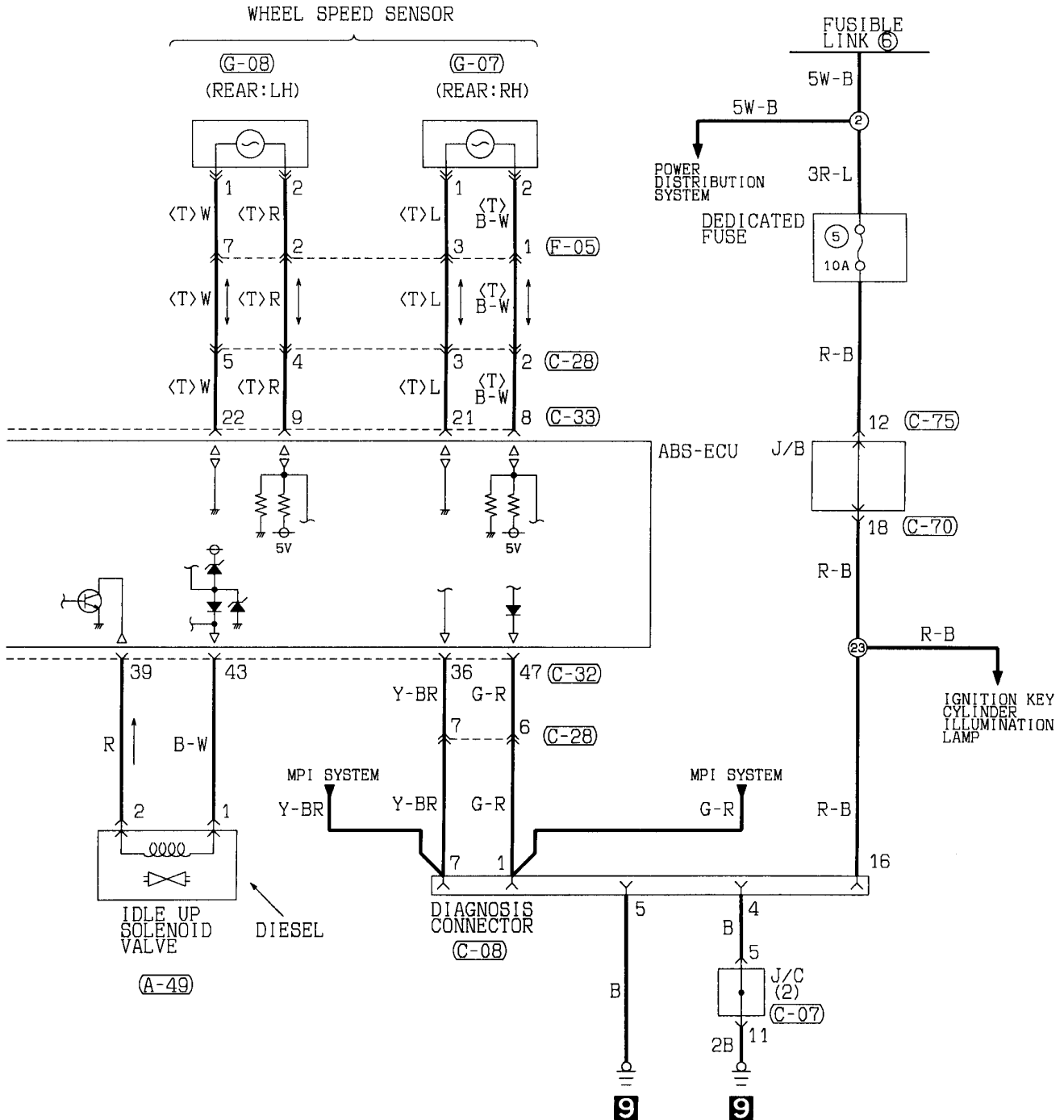
Wire colour code  
 B:Black LG:Light green G:Green L:Blue W:White Y:Yellow SB:Sky blue  
 BR:Brown O:Orange GR:Gray R:Red P:Pink V:Violet

ANTI-LOCK BRAKING SYSTEM <R.H. drive vehicles> (CONTINUED)



(A-72)	(A-102)	(C-16)	(C-26)	(C-28)	(C-32)	(C-33)
1 2	1 2	1 2 3 4 5 6 7 8 9 10 11 12 13 14 15 16 17 18 19 20 21 22 23 24 25 26 27 28 29 30 31 32 33	1 2 3 4 5 6 7 8 9 10 11 12 13 14 15 16 17 18 19 20 21 22 23 24 25 26 27 28 29 30 31 32 33	1 2 3 4 M 5 6 7 8 9 10 11 12 13 14 15 16 17 18	31 32 33 34 35 36 37 38 39 40 41 42 43 44 45 46 47 48 49 50 51 52	1 2 3 4 5 6 7 8 9 10 11 12 13 14 15 16 17 18 19 20 21 22 23 24 25 26
(C-50)	(C-69)	(C-72)	(D-03)	(D-28)		
1 2 3 4 5	1 2 3 4 5 M 6 7 8 9 10 11 12 13 14 15 16 17 18 19 20 21 22	1 2 3 4	1 2 3 4 5 6 7 8 9 10 11 12 13 14 15 16 17 18 19 20 21 22 23 24 25 26 27 28 29 30 31 32 33	1 2 3 4 5 M 6 7 8 9 10 11 12 13 14 15 16 17 18 19 20 21 22		





(A-49)

(C-07)

(C-08) FRONT SIDE

(C-28)

(C-32)

(C-33)

1	2
---	---

1	2	3	4	5	6	7	8	9	10	11
12	13	14	15	16	17	18	19	20	21	22
23	24	25	26	27	28	29	30	31	32	33

1	2	3	4	5	6	7	8
9	10	11	12	13	14	15	16

1	2	3	4	5	6	7	8		
9	10	11	12	13	14	15	16	17	18

31	32	33	34	35	36	37	38	39	40	41
42	43	44	45	46	47	48	49	50	51	52

1	2	3	4	5	6	7	8	9	10	11	12	13
14	15	16	17	18	19	20	21	22	23	24	25	26

(C-70)

(C-75)

(F-05)

(G-07)

(G-08)

1	2	3	4	5	6	7	8		
9	10	11	12	13	14	15	16	17	18

1	2	3	4	5	6	7	8		
9	10	11	12	13	14	15	16	17	18

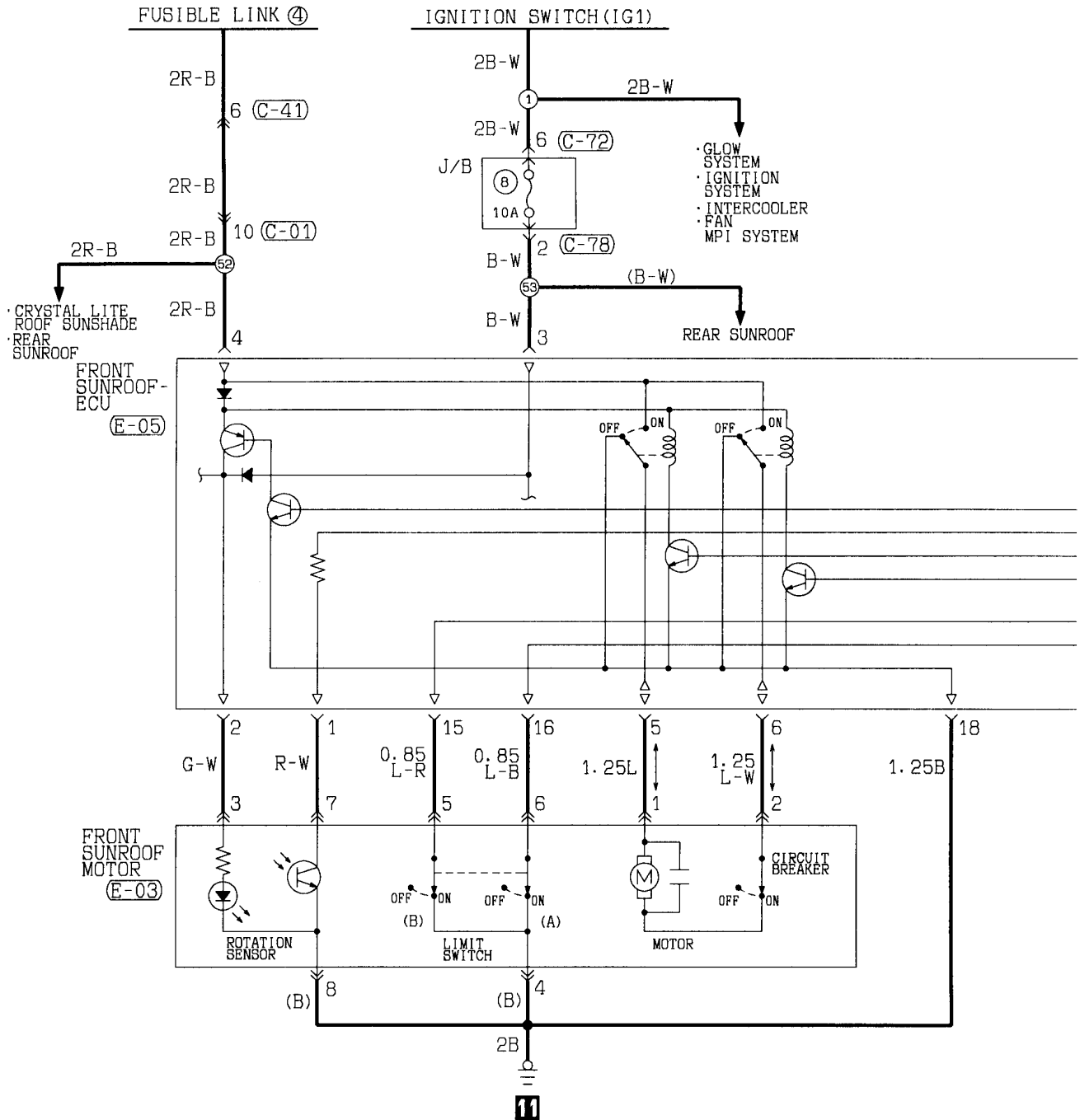
1	2	3	4	5	6	7
---	---	---	---	---	---	---

1	2
---	---

1	2
---	---

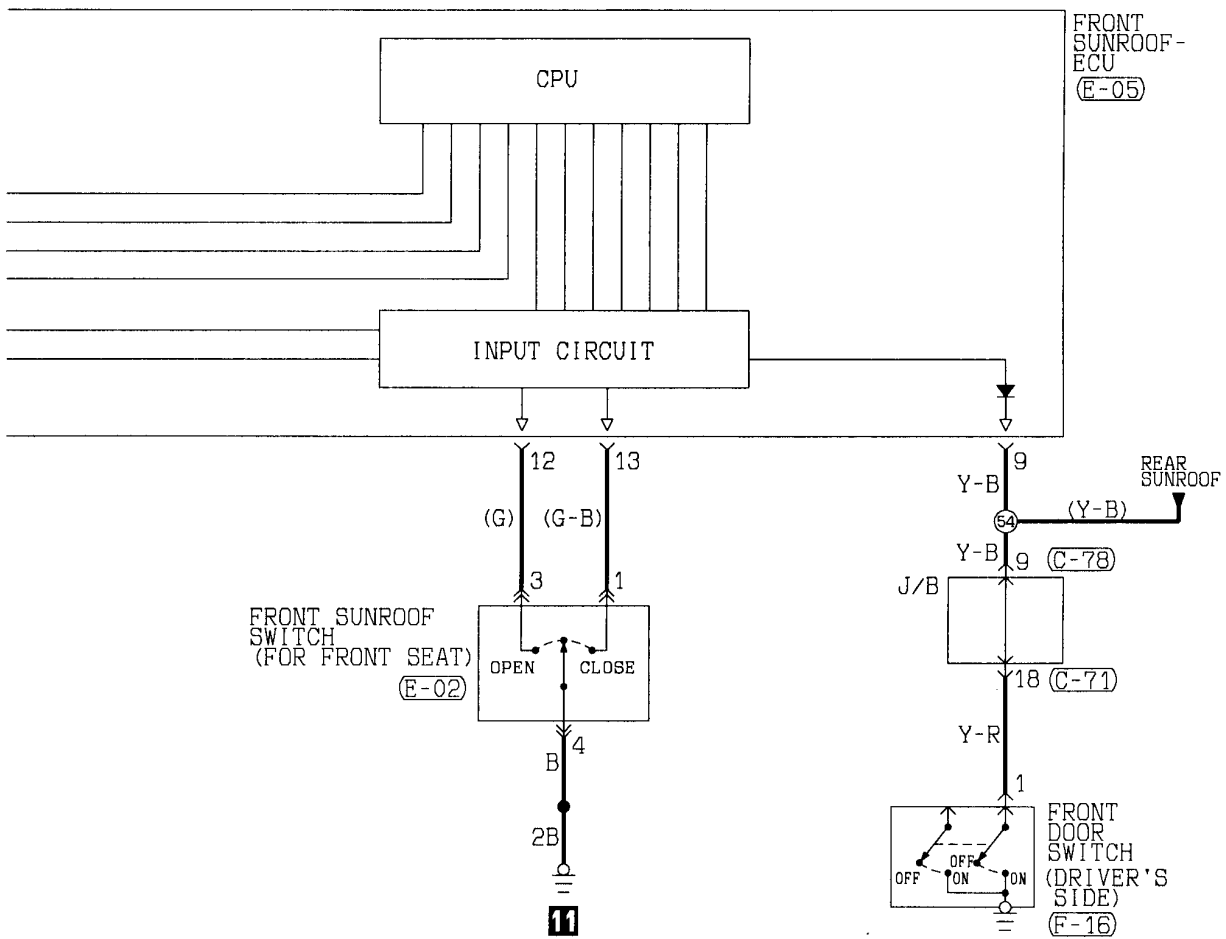
FRONT SUNROOF

120002424



<b>C-01</b>	<b>C-41</b>	<b>C-72</b>	<b>C-78</b>	<b>E-03</b>	<b>E-05</b>
1 2 3 4 5 6 7 8 9 10 11 12 13 14 15 16 17 18	1 2 3 4 5 6 7 8	1 2 3 4 5 6 7 8 9 10	1 2 3 4 5 6 7 8 9 10 11 12 13 14 15 16 17 18 19	1 2 3 4 5 6 7 8	1 2 3 4 A 5 6 7 8 9 10 11 12 13 14 15 16 17 18

Wire colour code  
 B:Black LG:Light green G:Green L:Blue W:White Y:Yellow SB:Sky blue  
 BR:Brown O:Orange GR:Gray R:Red P:Pink V:Violet



(C-71)

1	2	3	4	M	5	6	7	8	9	
10	11	12	13	14	15	16	17	18	19	20

(C-78)

1	2	3	4	M	5	6	7	8	9
10	11	12	13	14	15	16	17	18	19

(E-02)

1	M	2	
3	4	5	6

(E-05)

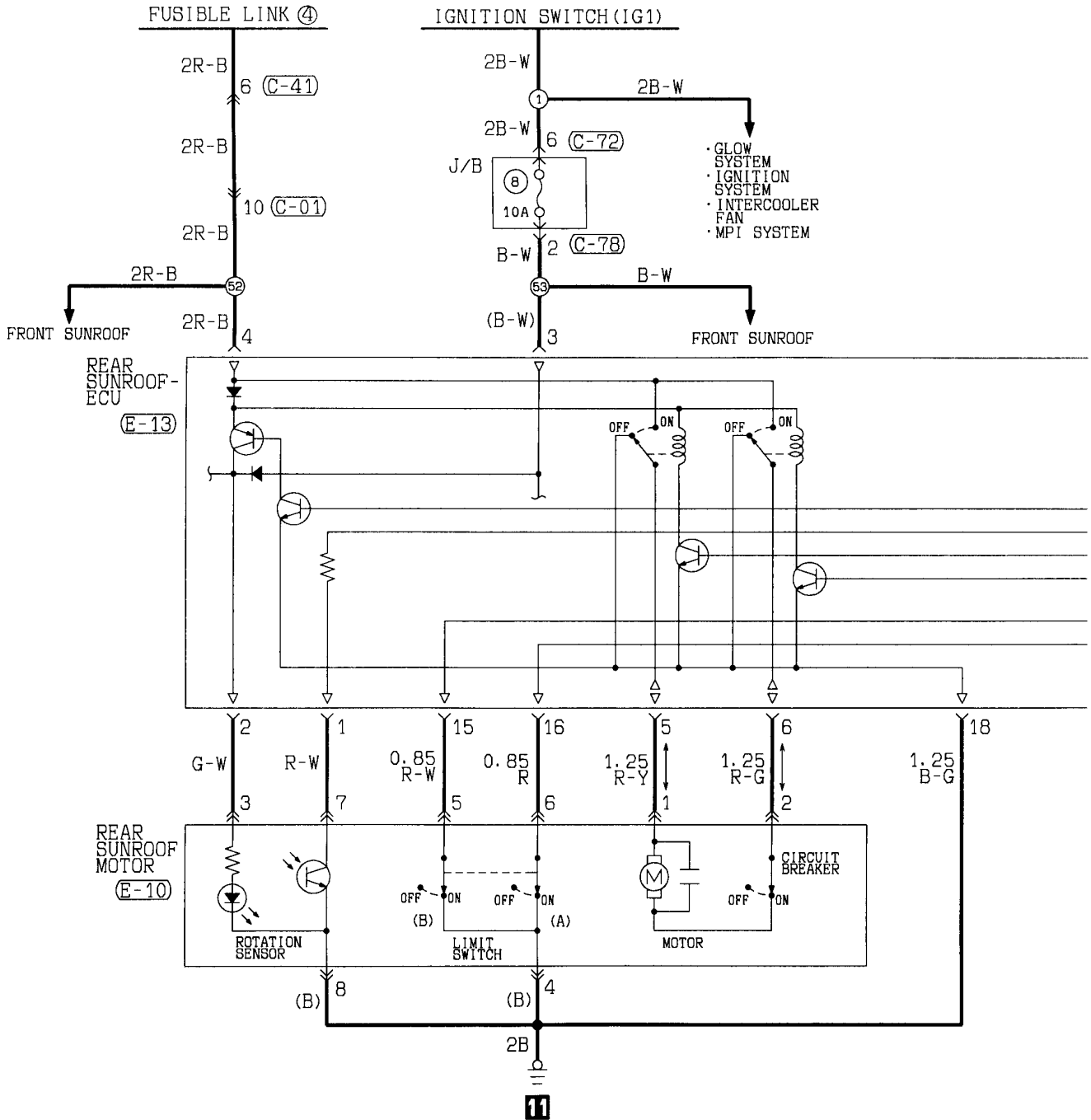
1	2	3	4	A	5	6	7	B	
9	10	11	12	13	14	15	16	17	18

(F-16)

M	
1	2

REAR SUNROOF

120002425



(C-01)

1	2	3	4	5	6	7	8		
9	10	11	12	13	14	15	16	17	18

(C-41)

1	2	3		
4	5	6	7	8

(C-72)

1	2	3	4		
5	6	7	8	9	10

(C-78)

1	2	3	4	5	6	7	8	9	
10	11	12	13	14	15	16	17	18	19

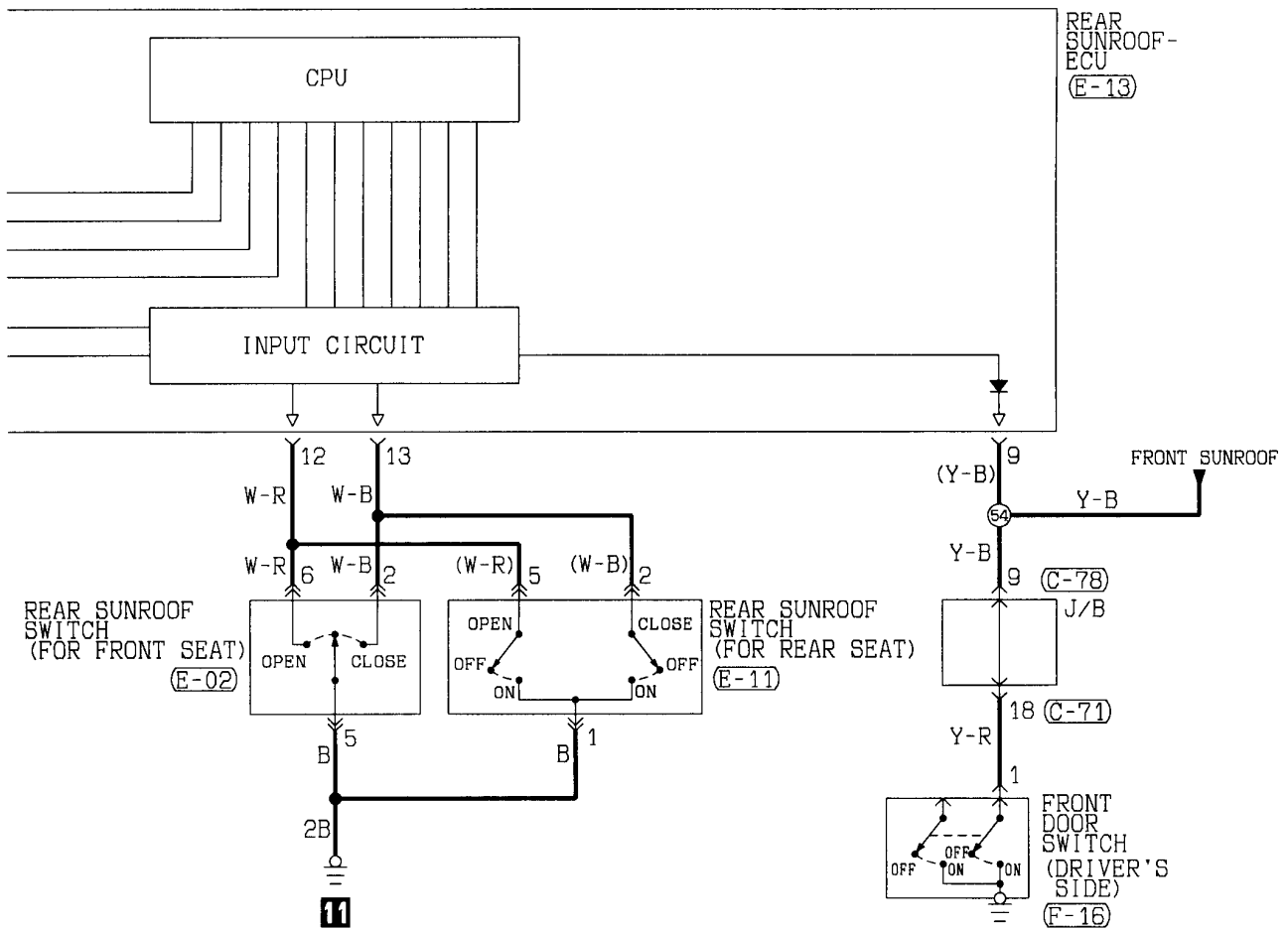
(E-10)

1	2	3		
4	5	6	7	8

(E-13)

1	2	3	4	A	5	6	7	8	
9	10	11	12	13	14	15	16	17	18

Wire colour code  
 B:Black LG:Light green G:Green L:Blue W:White Y:Yellow SB:Sky blue  
 BR:Brown O:Orange GR:Gray R:Red P:Pink V:Violet



(C-71)

1	2	3	4	M	5	6	7	8	9	
10	11	12	13	14	15	16	17	18	19	20

(C-78)

1	2	3	4	M	5	6	7	8	9
10	11	12	13	14	15	16	17	18	19

(E-02)

1	M	2	
3	4	5	6

(E-11)

1	2	3
4	5	6

(E-13)

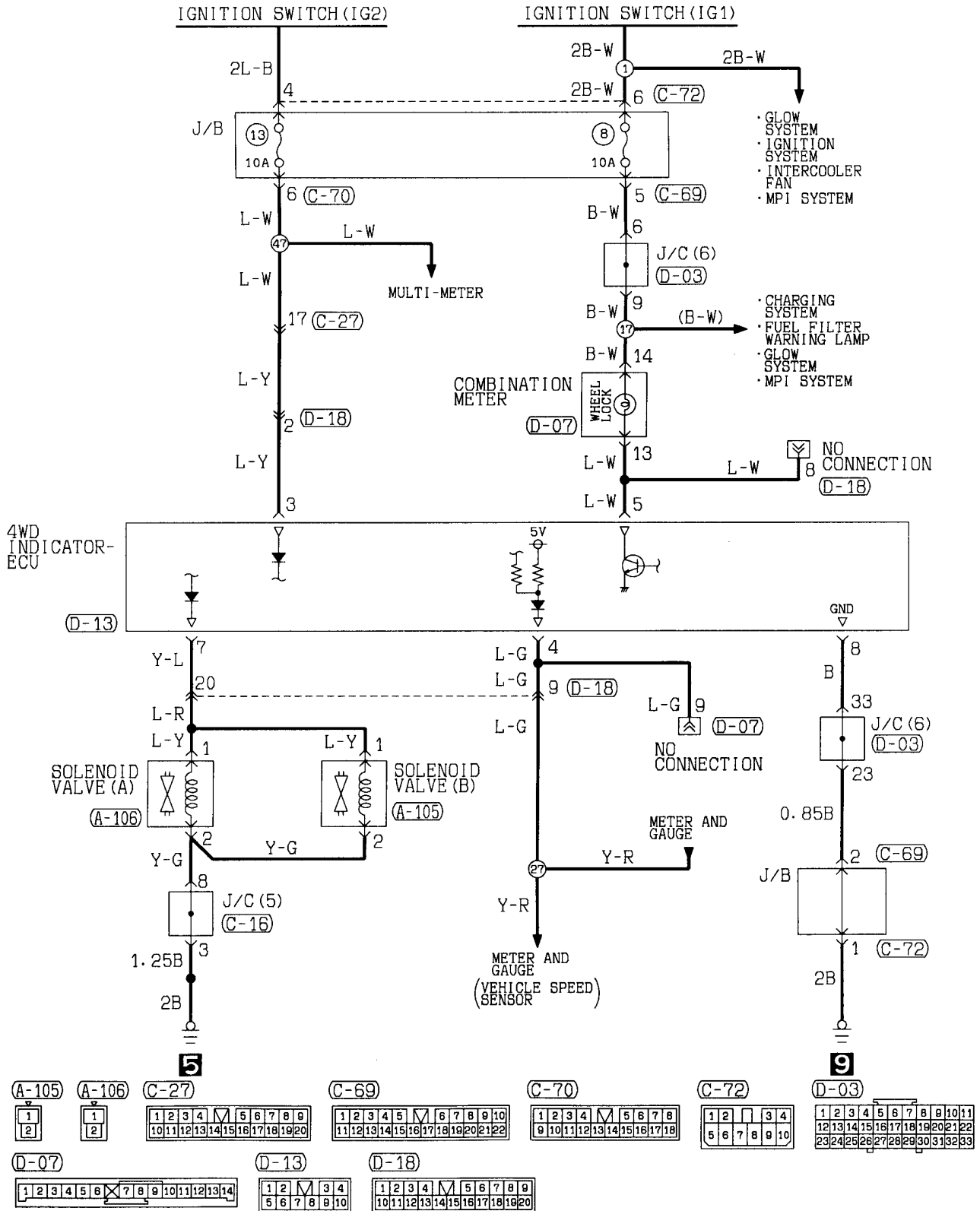
1	2	3	4	A	5	6	7	8	
9	10	11	12	13	14	15	16	17	18

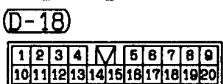
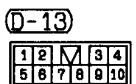
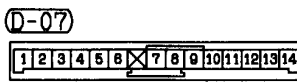
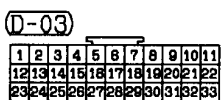
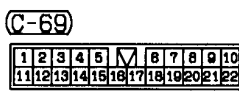
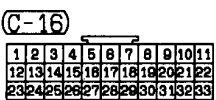
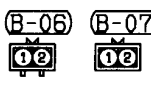
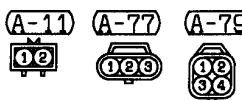
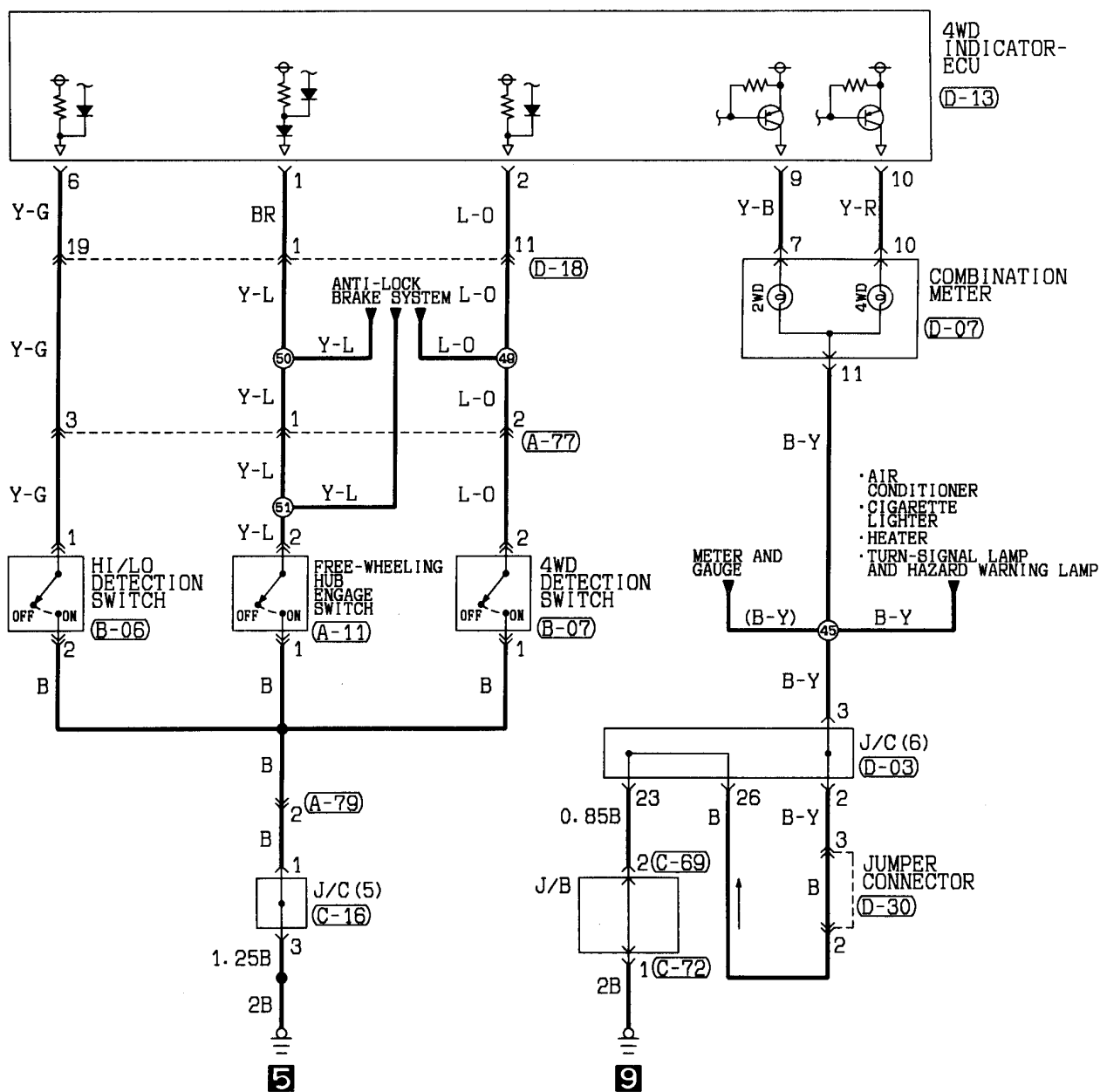
(F-16)

M	
1	2

PART TIME 4WD SYSTEM

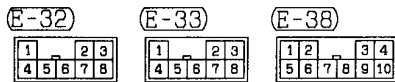
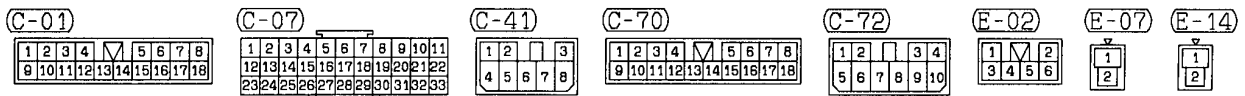
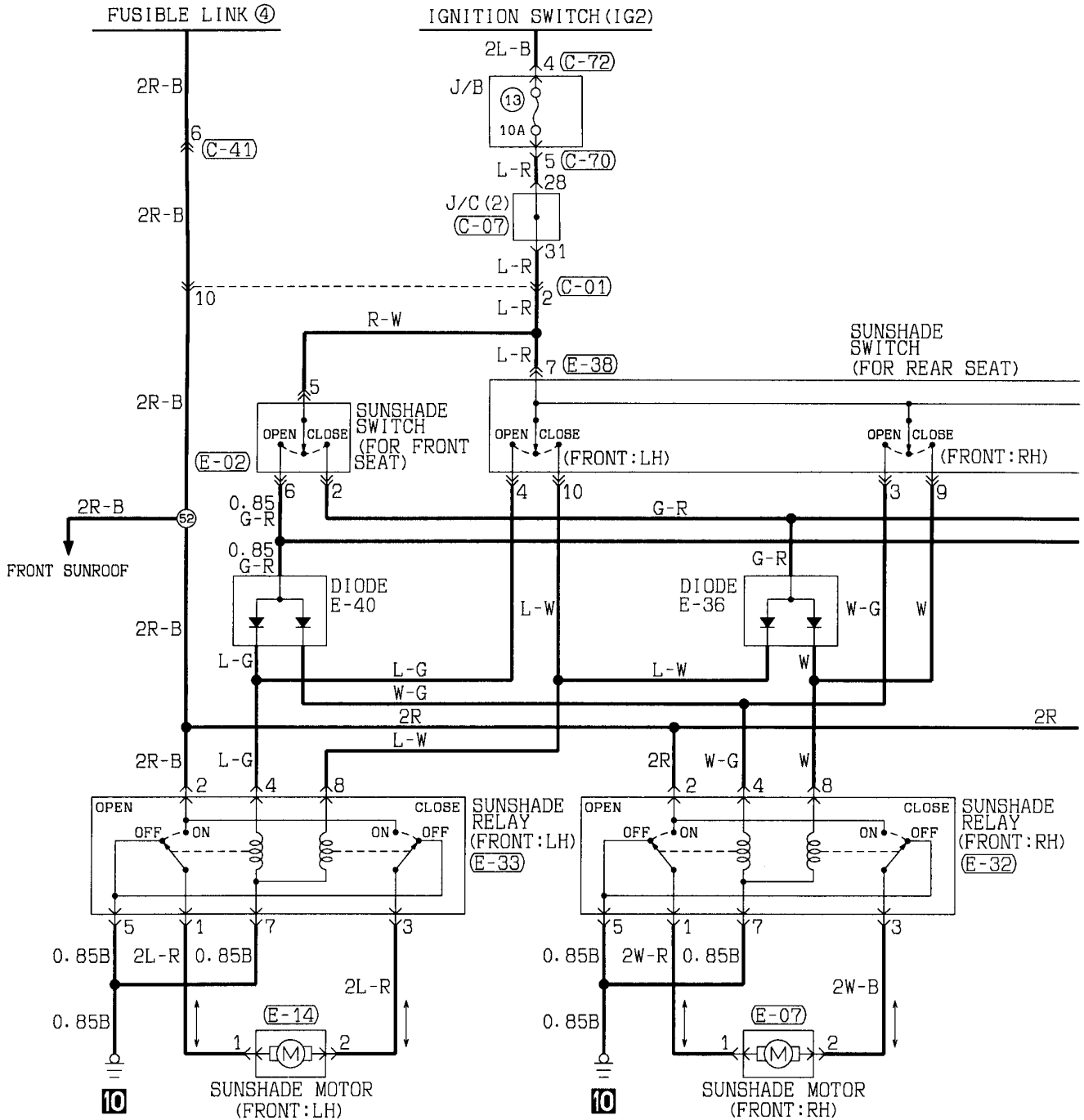
120002426



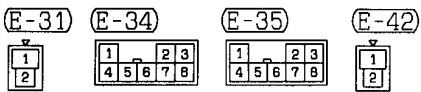
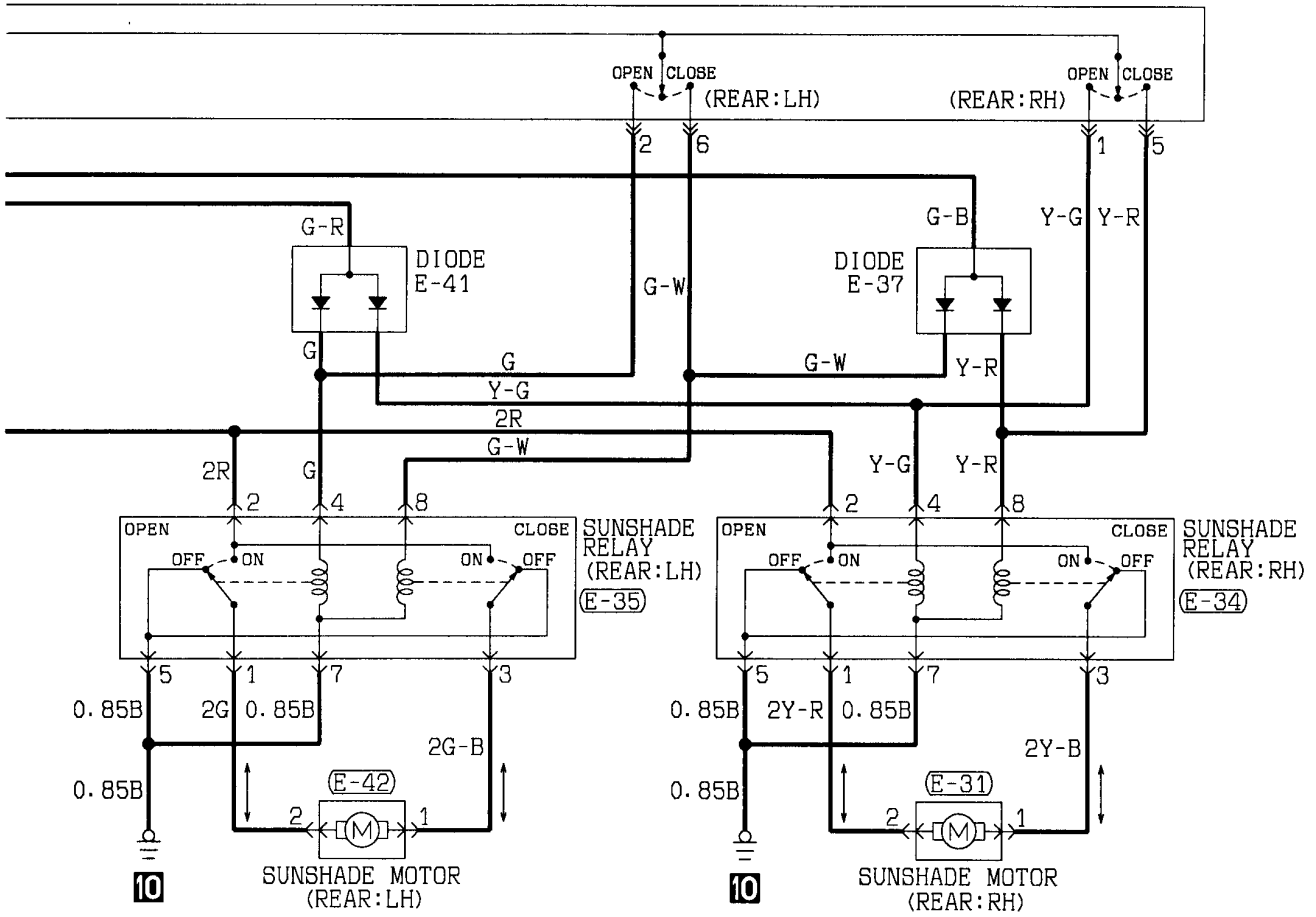


CRYSTAL LITE ROOF SUNSHADE

120002427



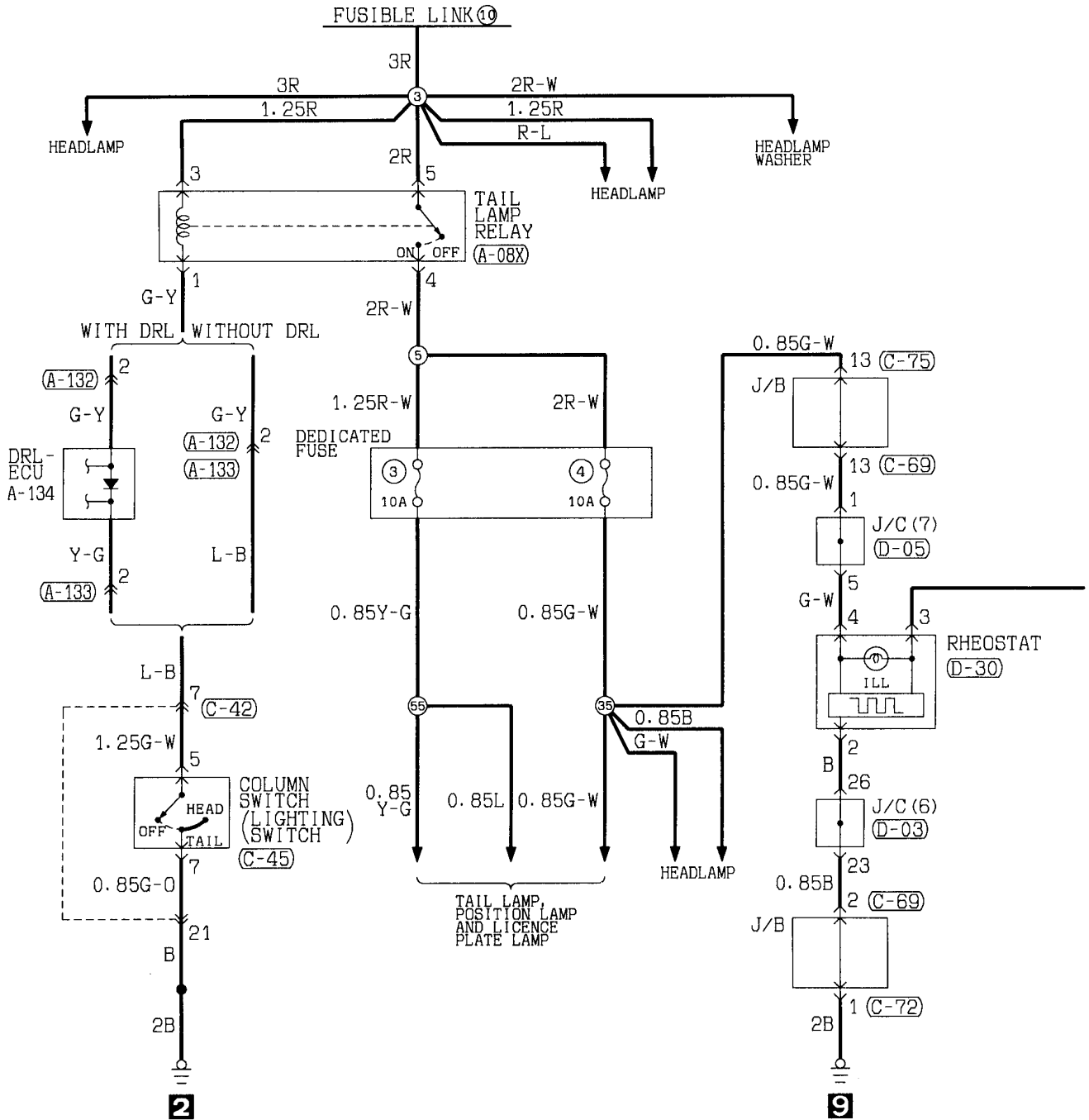




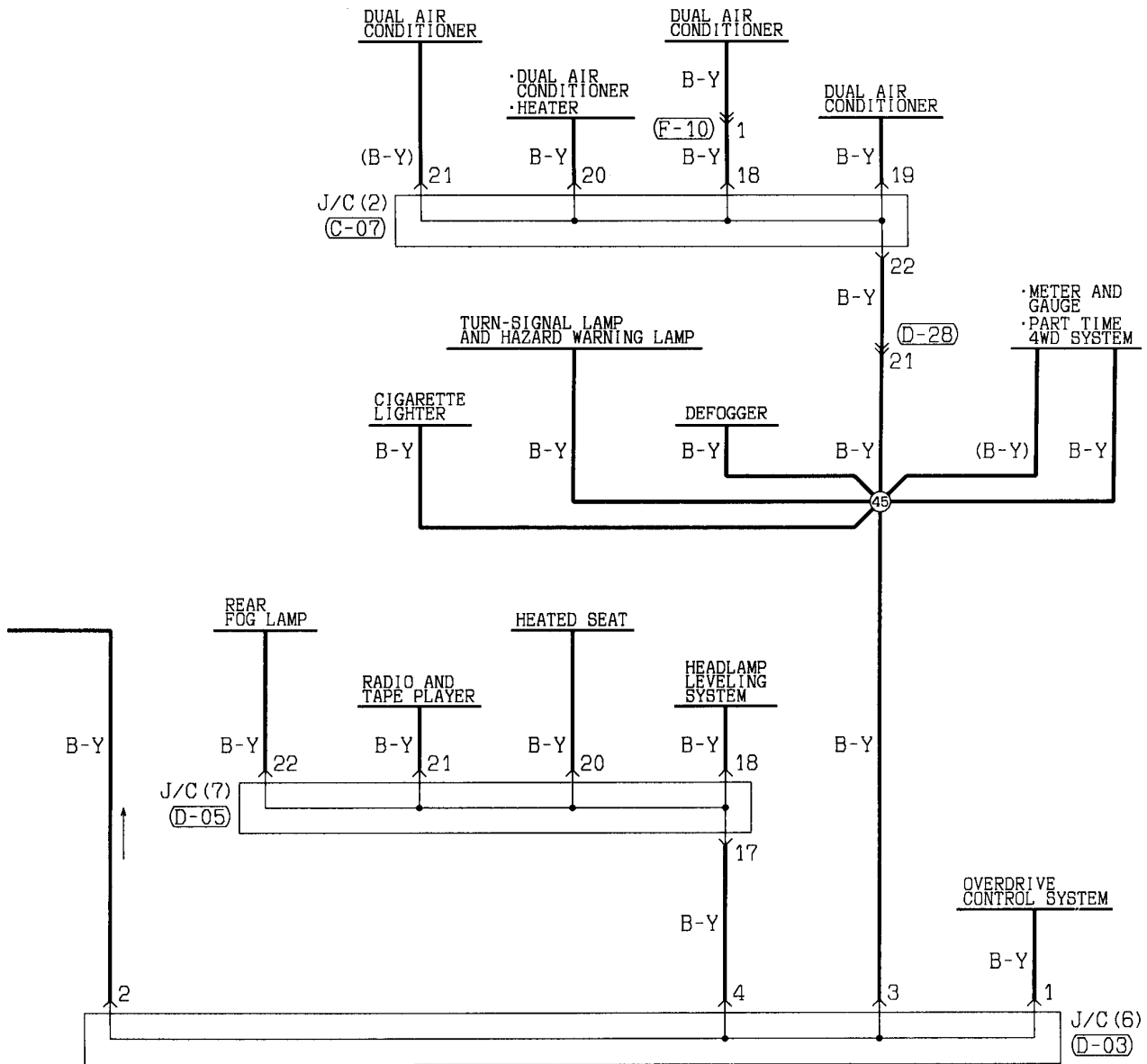
Wire colour code  
 B:Black LG:Light green G:Green L:Blue W:White Y:Yellow SB:Sky blue  
 BR:Brown O:Orange GR:Gray R:Red P:Pink V:Violet

RHEOSTAT

120002428



(A-08X)	(A-132)	(A-132) *1	(A-133) *2	(C-42)	(C-45)	(C-69)
1 2 3 4 5	1 2 3 4 5 6 7 8 9 10	1 2 3 4 5 6 7 8 9 10	1 2 3 4 5 6 7 8 9 10	1 2 3 4 5 6 7 8 9 10 11 12 13 14 15 16 17 18 19 20 21 22	1 2 3 4 5 6 7 8 9 10	1 2 3 4 5 6 7 8 9 10 11 12 13 14 15 16 17 18 19 20 21 22
(C-72)	(C-75)	(D-03)	(D-05)	(D-30)	Remarks	
1 2 3 4 5 6 7 8 9 10	1 2 3 4 5 6 7 8 9 10 11 12 13 14 15 16 17 18	1 2 3 4 5 6 7 8 9 10 11 12 13 14 15 16 17 18 19 20 21 22 23 24 25 26 27 28 29 30 31 32 33	1 2 3 4 5 6 7 8 9 10 11 12 13 14 15 16 17 18 19 20 21 22	1 2 3 4	*1: WITHOUT DRL *2: WITH DRL	



C-07

1	2	3	4	5	6	7	8	9	10	11
12	13	14	15	16	17	18	19	20	21	22
23	24	25	26	27	28	29	30	31	32	33

D-03

1	2	3	4	5	6	7	8	9	10	11
12	13	14	15	16	17	18	19	20	21	22
23	24	25	26	27	28	29	30	31	32	33

D-05

1	2	3	4	5	6	7	8	9	10	11
12	13	14	15	16	17	18	19	20	21	22
23	24	25	26	27	28	29	30	31	32	33

D-28

1	2	3	4	5	M	6	7	8	9	10	
11	12	13	14	15	16	17	18	19	20	21	22

F-10

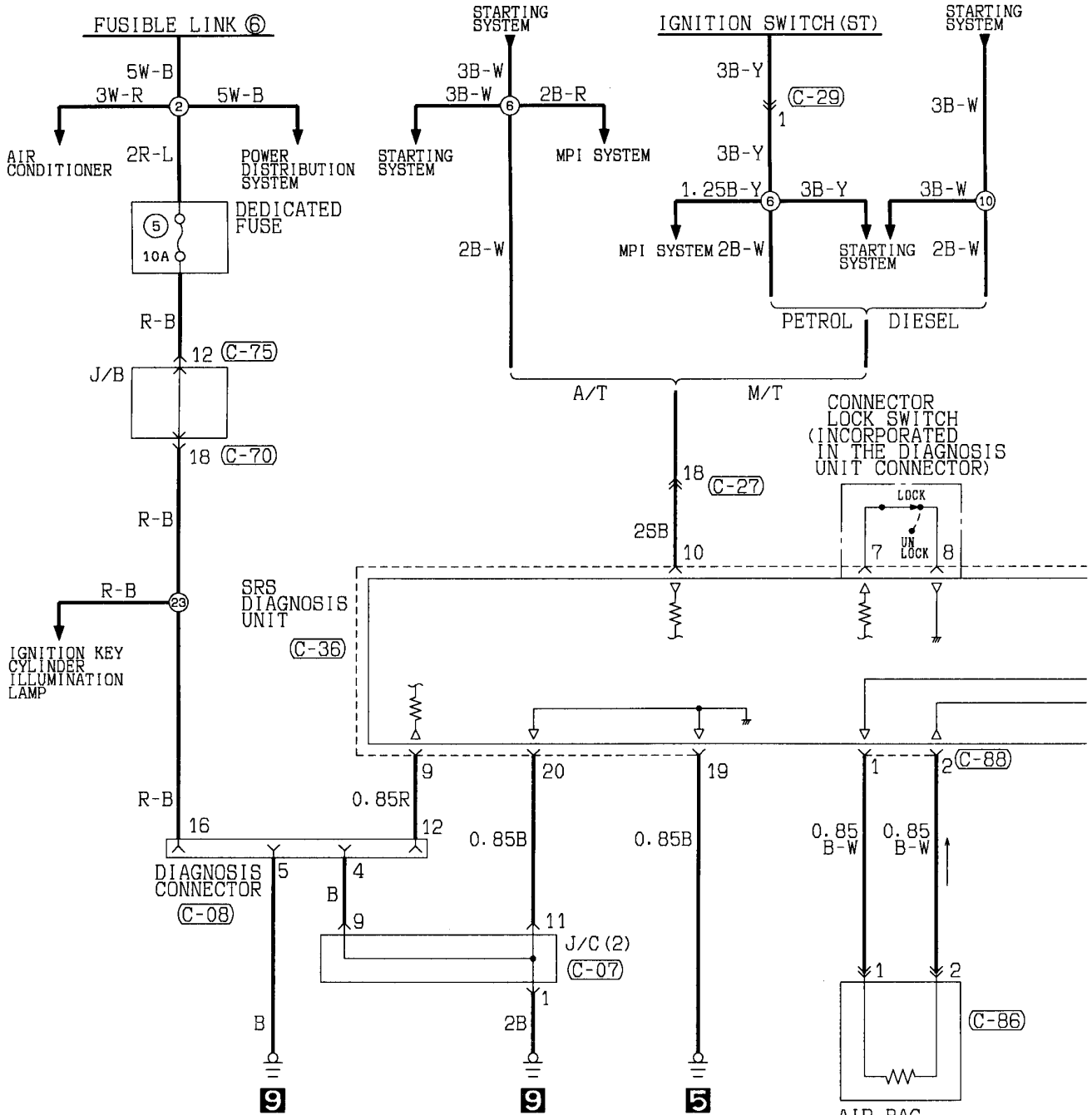
1	2	3	M	4	5	6	
7	8	9	10	11	12	13	14

Wire colour code  
 B:Black LG:Light green G:Green L:Blue W:White Y:Yellow SB:Sky blue  
 BR:Brown O:Orange GR:Gray R:Red P:Pink V:Violet

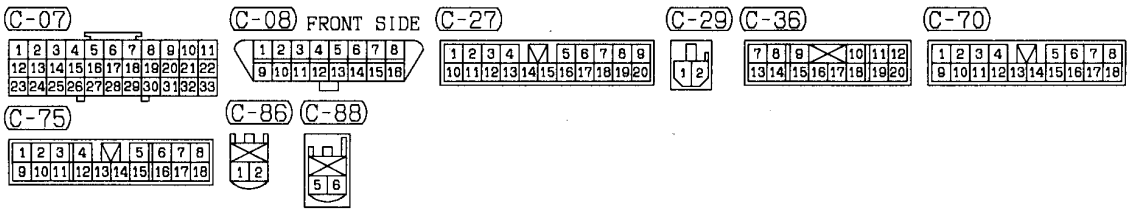
SUPPLEMENTAL RESTRAINT SYSTEM (SRS)

120002429

L.H. drive vehicles



CAUTION  
 Carefully read and observe the SRS SERVICE PRECAUTIONS  
 (Refer to GROUP 52B SRS Service Precautions) prior to any service.

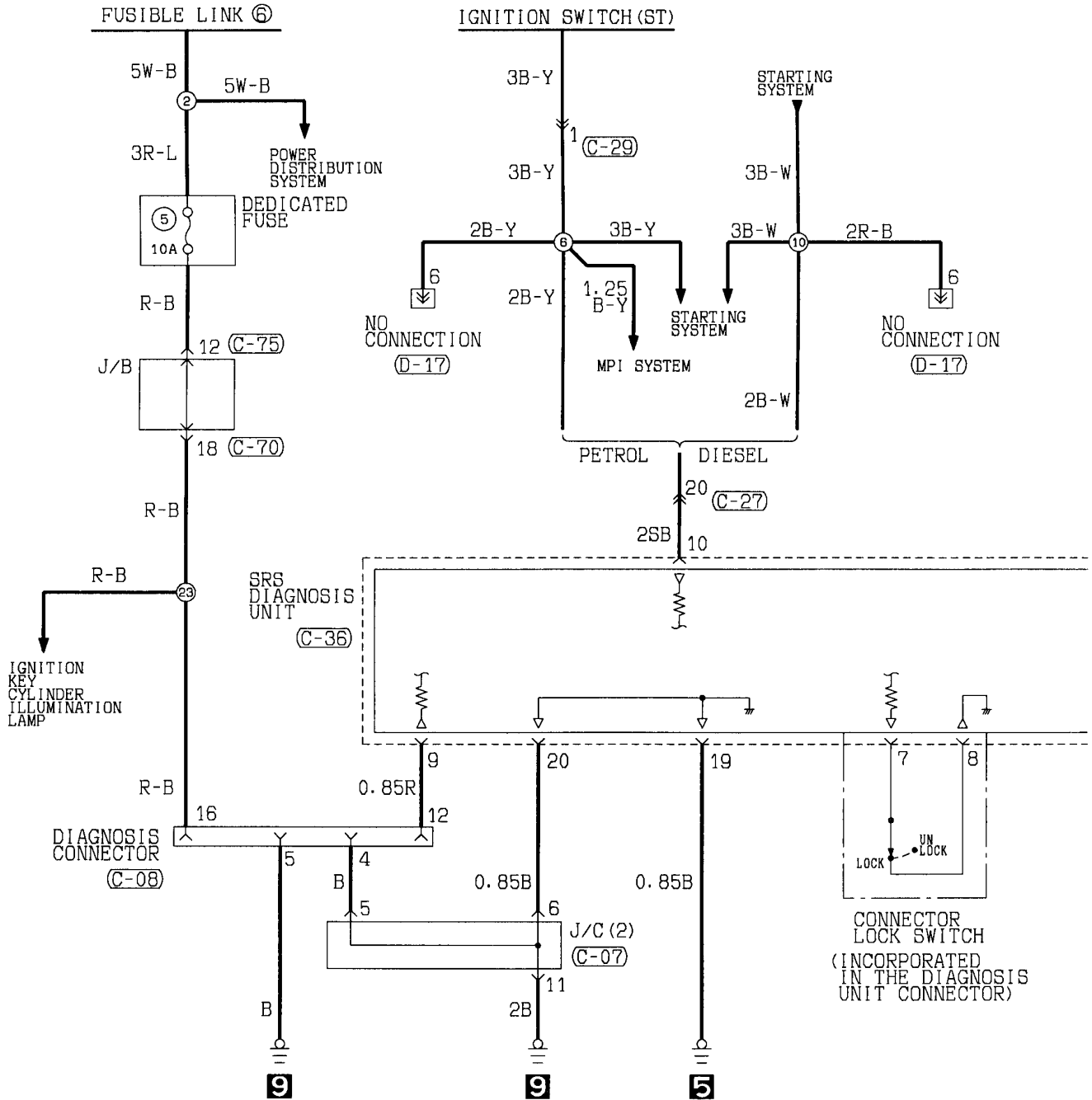




SUPPLEMENTAL RESTRAINT SYSTEM (SRS)

120002430

R.H. drive vehicles



CAUTION  
Carefully read and observe the SRS SERVICE PRECAUTIONS  
(Refer to GROUP 52B SRS Service Precautions) prior to any service.

(C-07)

1	2	3	4	5	6	7	8	9	10	11
12	13	14	15	16	17	18	19	20	21	22
23	24	25	26	27	28	29	30	31	32	33

(C-08) FRONT SIDE

1	2	3	4	5	6	7	8
9	10	11	12	13	14	15	16

(C-27)

1	2	3	4	5	M	6	7	8	9	10	
11	12	13	14	15	16	17	18	19	20	21	22

(C-29)

1	2
---	---

(C-36)

7	8	9	10	11	12		
13	14	15	16	17	18	19	20

(C-70)

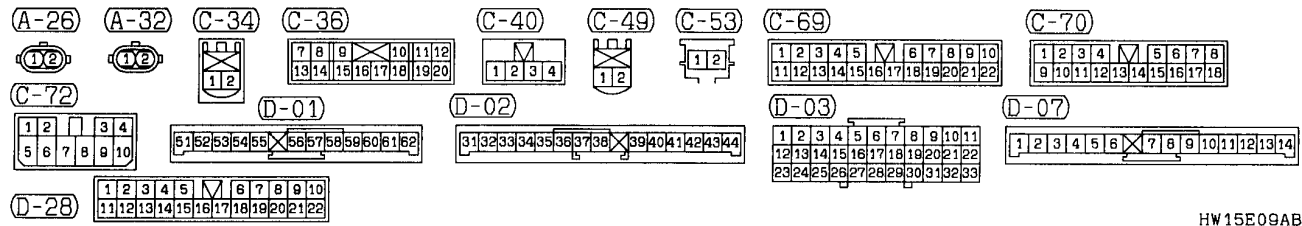
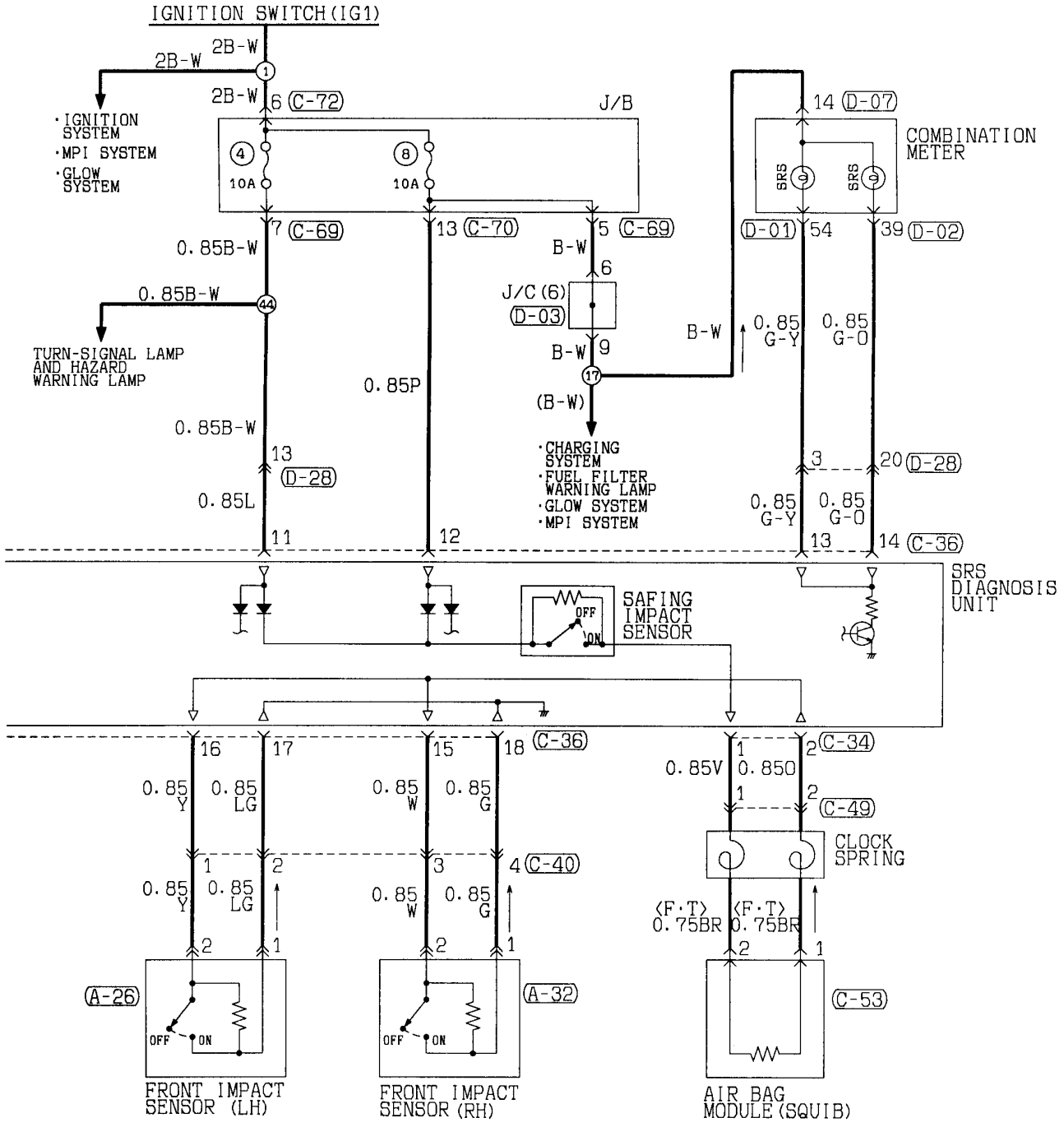
1	2	3	4	M	5	6	7	8	
9	10	11	12	13	14	15	16	17	18

(C-75)

1	2	3	4	M	5	6	7	8	
9	10	11	12	13	14	15	16	17	18

(D-17)

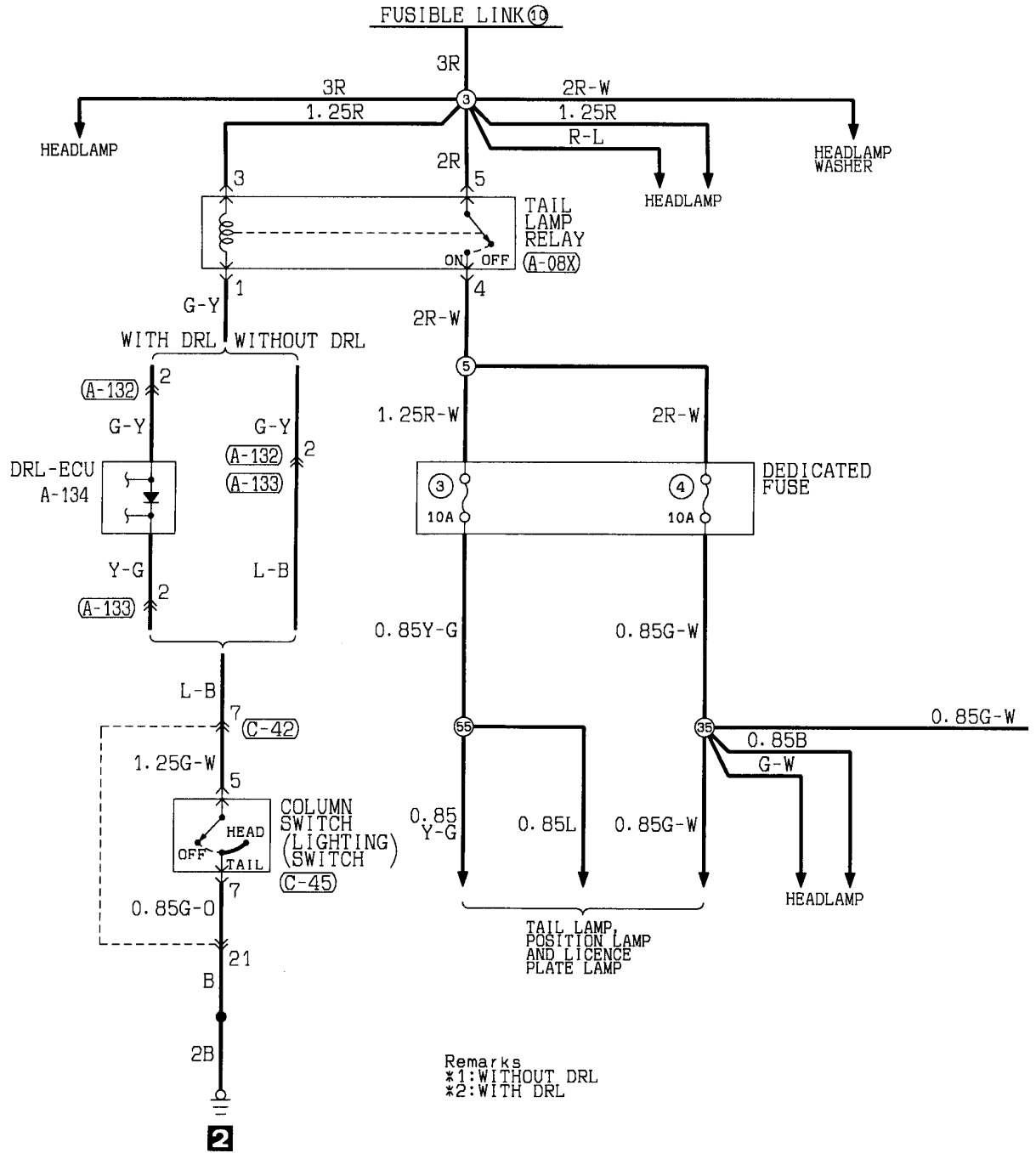
1	2	3	4	M	5	6	7	8	
9	10	11	12	13	14	15	16	17	18



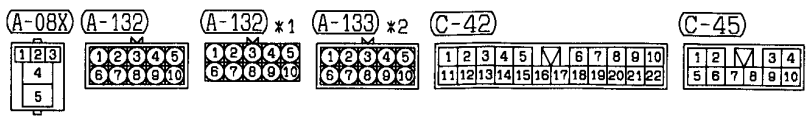
LIGHTING MONITOR BUZZER

120002431

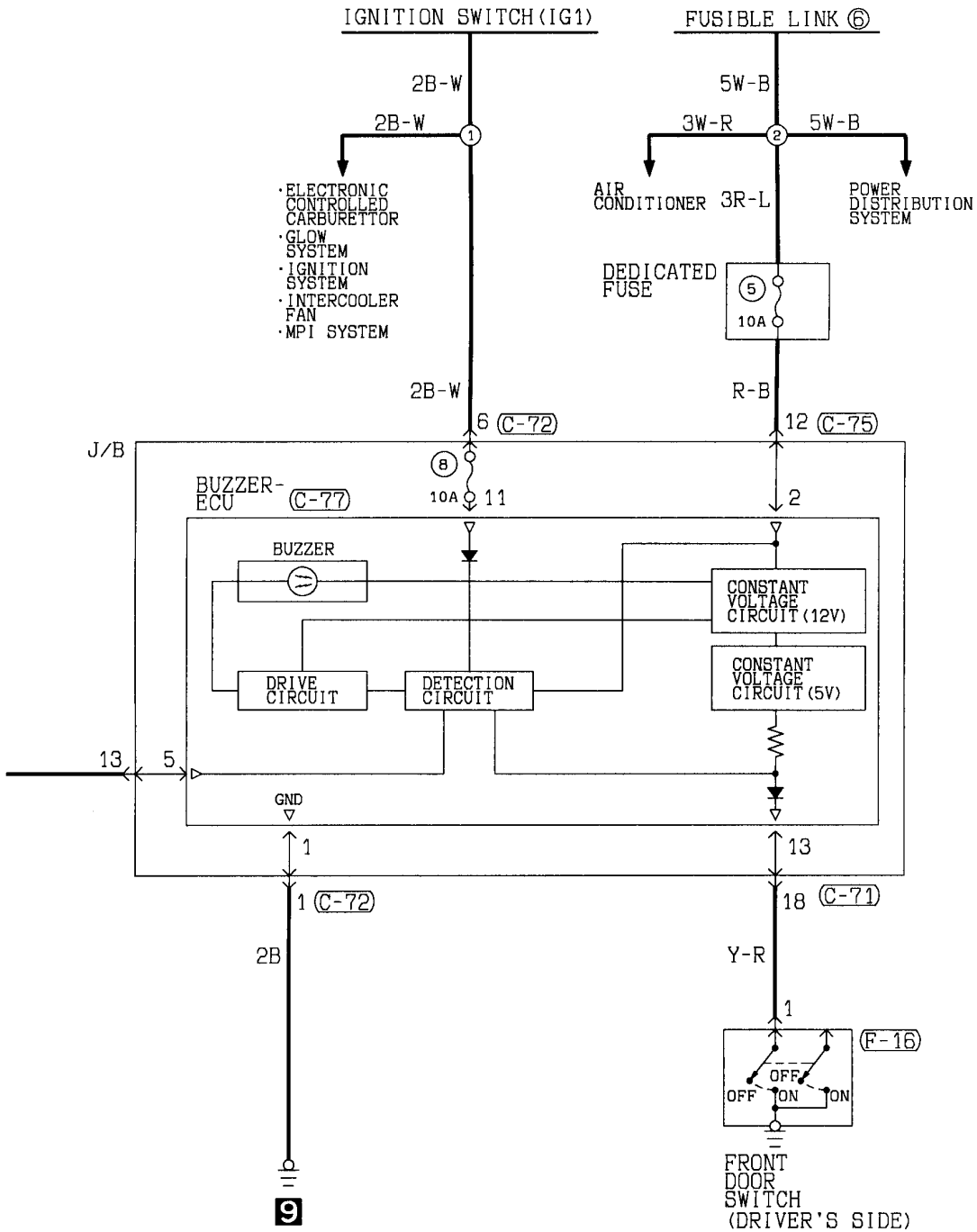
L.H. drive vehicles



Remarks  
 \*1: WITHOUT DRL  
 \*2: WITH DRL







(C-71)

1	2	3	4	M	5	6	7	8	9	
10	11	12	13	14	15	16	17	18	19	20

(C-72)

1	2	3	4		
5	6	7	8	9	10

(C-75)

1	2	3	4	M	5	6	7	8	
9	10	11	12	13	14	15	16	17	18

(C-77)

1	2	3	4	5	6	7	8	9	10	11	12	13	14	15	16	17	18	19	20
---	---	---	---	---	---	---	---	---	----	----	----	----	----	----	----	----	----	----	----

(F-16)

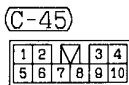
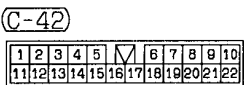
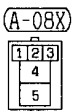
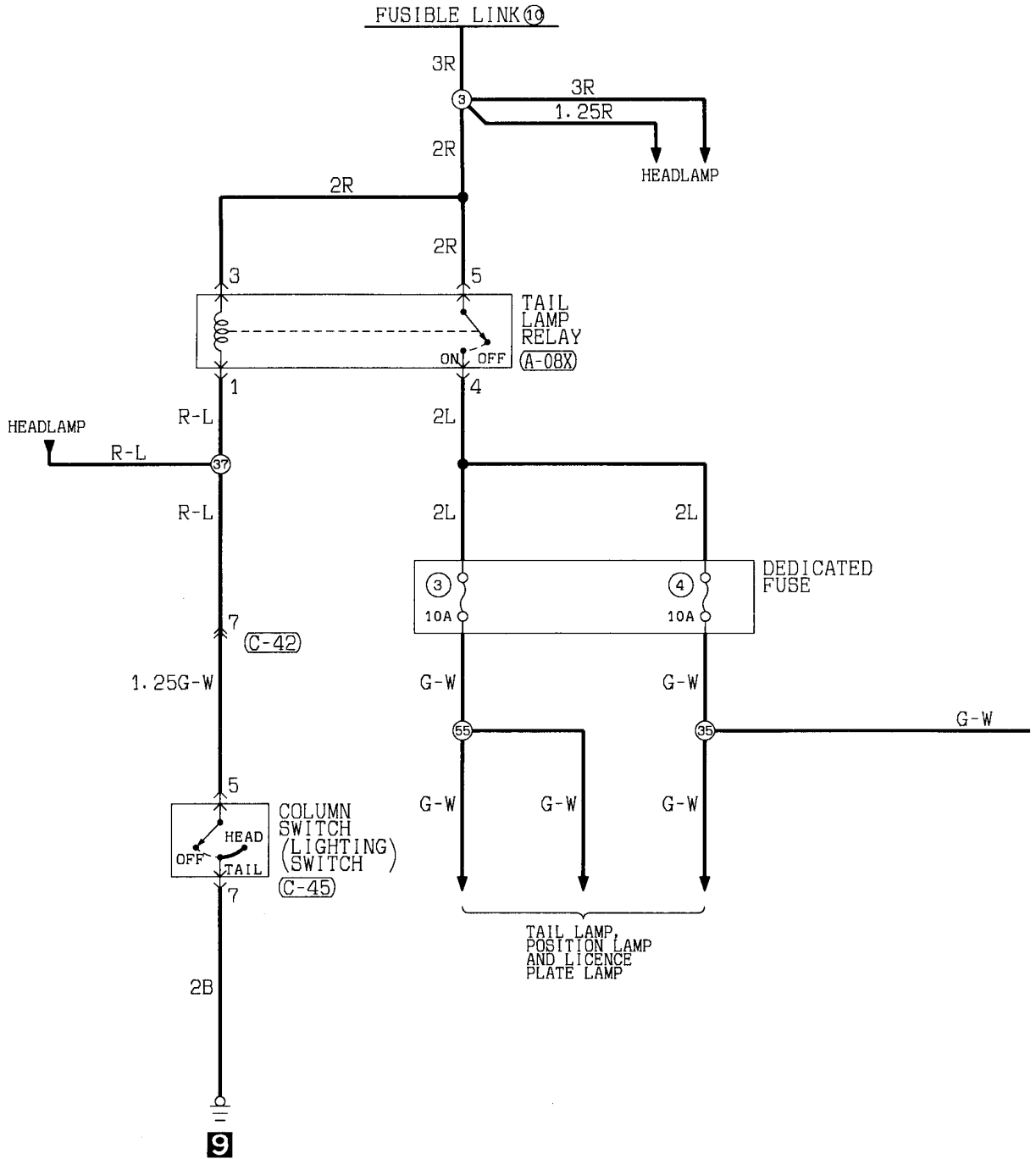
M	
1	2

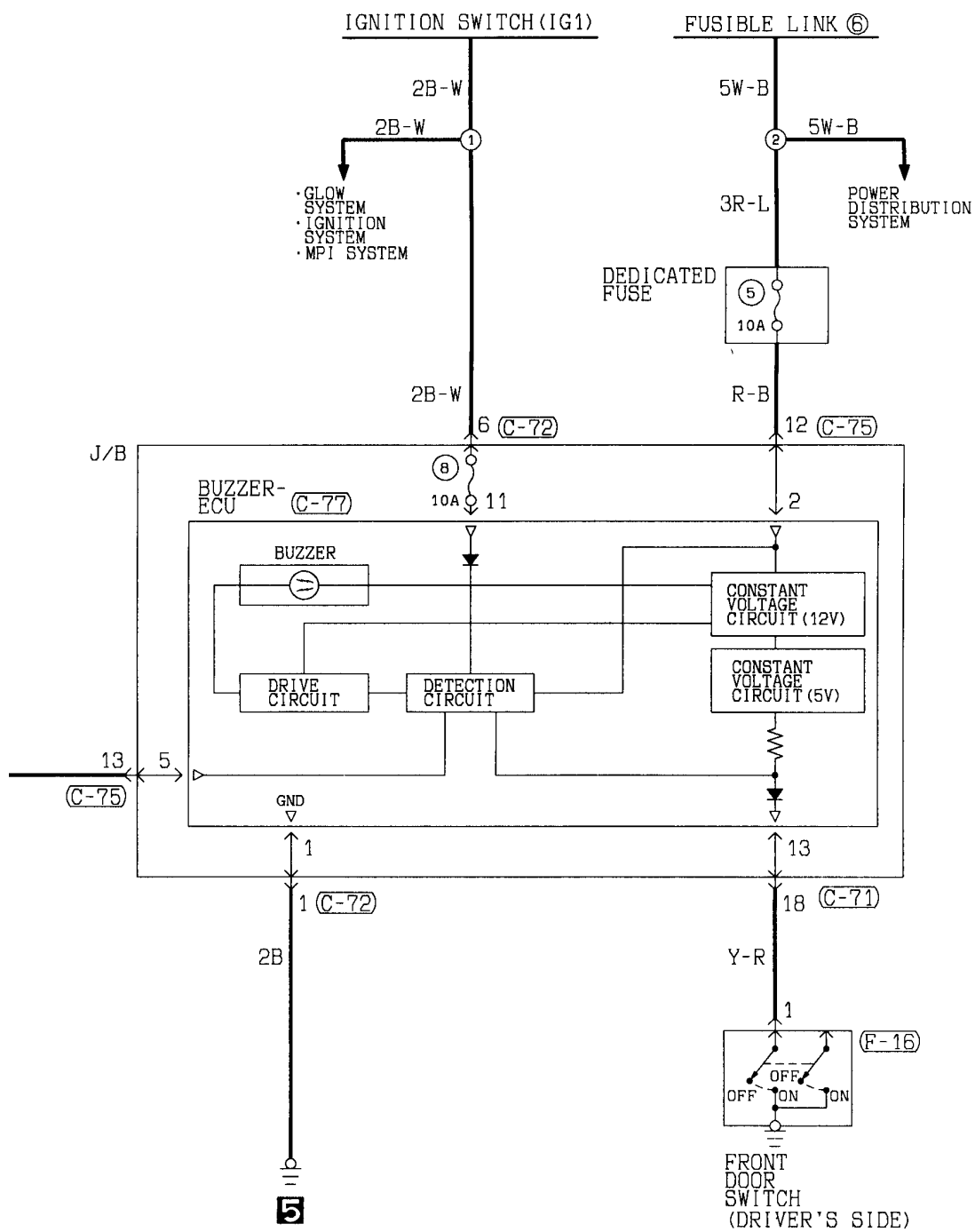
Wire colour code  
 B:Black LG:Light green G:Green L:Blue W:White Y:Yellow SB:Sky blue  
 BR:Brown O:Orange GR:Gray R:Red P:Pink V:Violet

LIGHTING MONITOR BUZZER

120002432

R.H. drive vehicles





(C-71)

1	2	3	4	M	5	6	7	8	9	
10	11	12	13	14	15	16	17	18	19	20

(C-72)

1	2	3	4		
5	6	7	8	9	10

(C-75)

1	2	3	4	M	5	6	7	8	
9	10	11	12	13	14	15	16	17	18

(C-77)

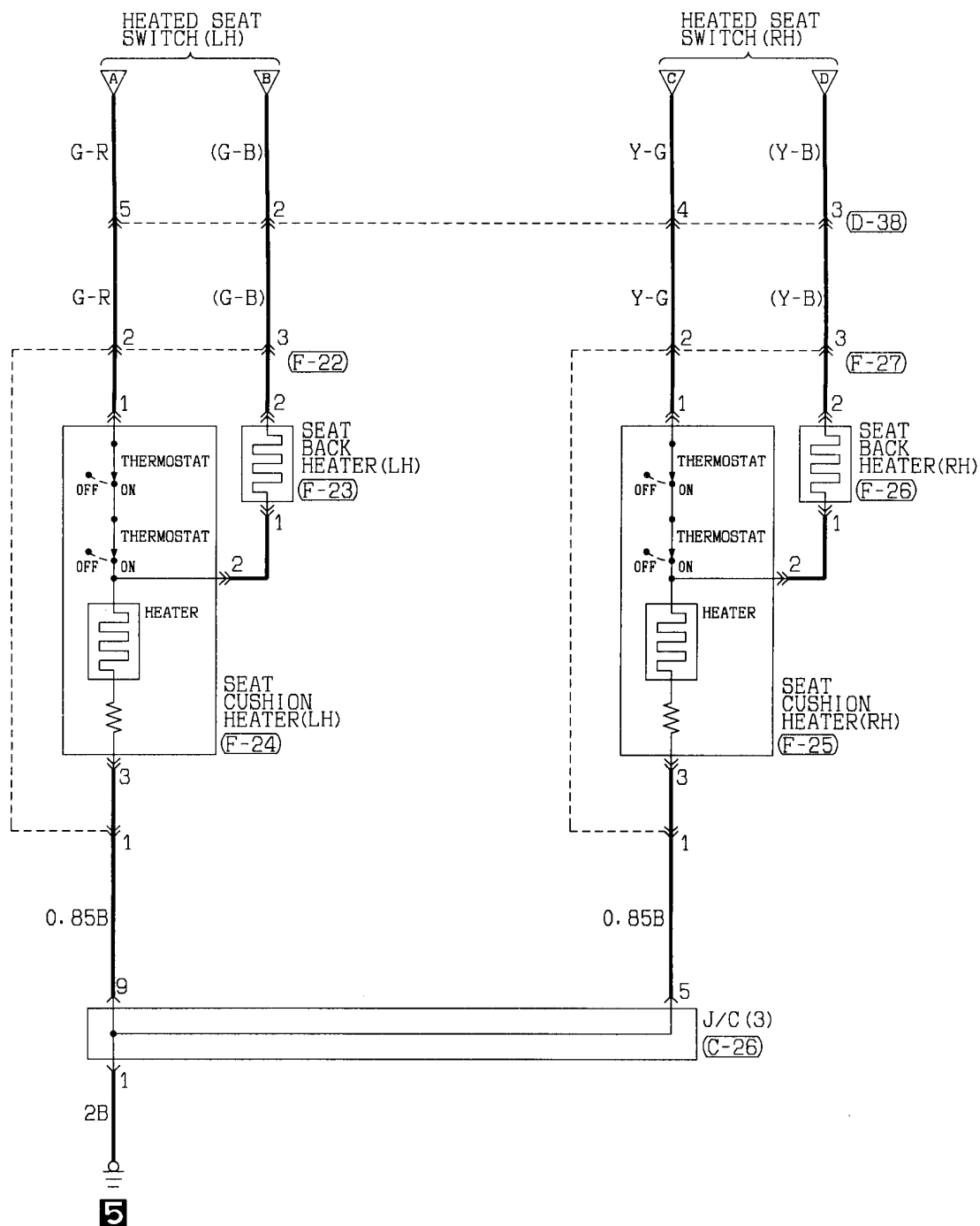
1	2	3	4	5	6	7	8	9	10	11	12	13	14	15	16	17	18	19	20
---	---	---	---	---	---	---	---	---	----	----	----	----	----	----	----	----	----	----	----

(F-16)

M	
1	2

Wire colour code  
 B:Black LG:Light green G:Green L:Blue W:White Y:Yellow SB:Sky blue  
 BR:Brown O:Orange GR:Gray R:Red P:Pink V:Violet



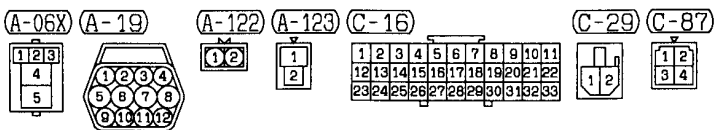
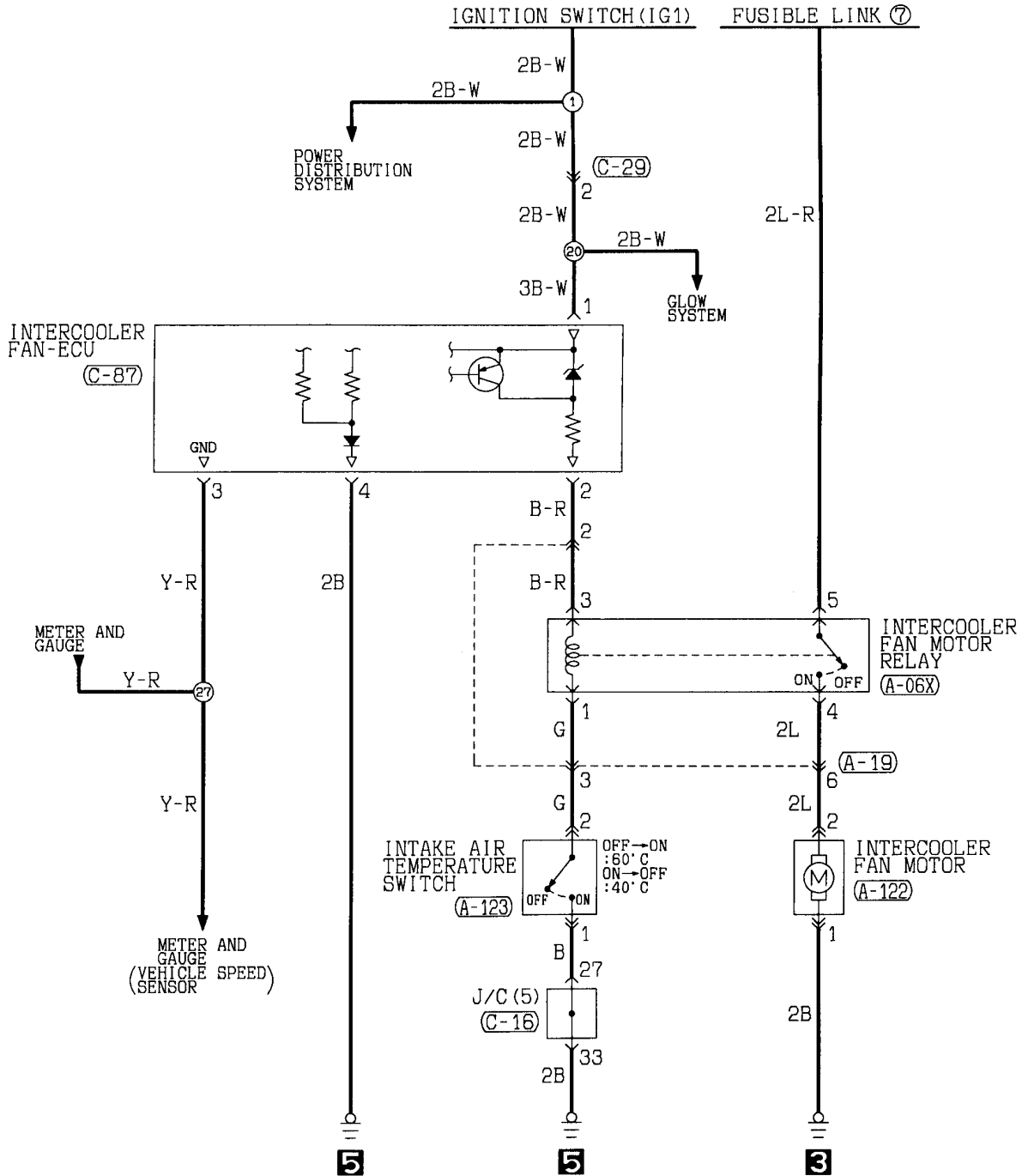


(C-26)	(D-38)	(F-22)	(F-23)	(F-24)	(F-25)	(F-26)	(F-27)
1 2 3 4 5 6 7 8 9 10 11 12 13 14 15 16 17 18 19 20 21 22 23 24 25 26 27 28 29 30 31 32 33	1 2 3 4 5 6	1 2 3	1 2	1 2 3	1 2 3	1 2	1 2 3

Wire colour code  
 B:Black LG:Light green G:Green L:Blue W:White Y:Yellow SB:Sky blue  
 BR:Brown O:Orange GR:Gray R:Red P:Pink V:Violet

INTERCOOLER FAN

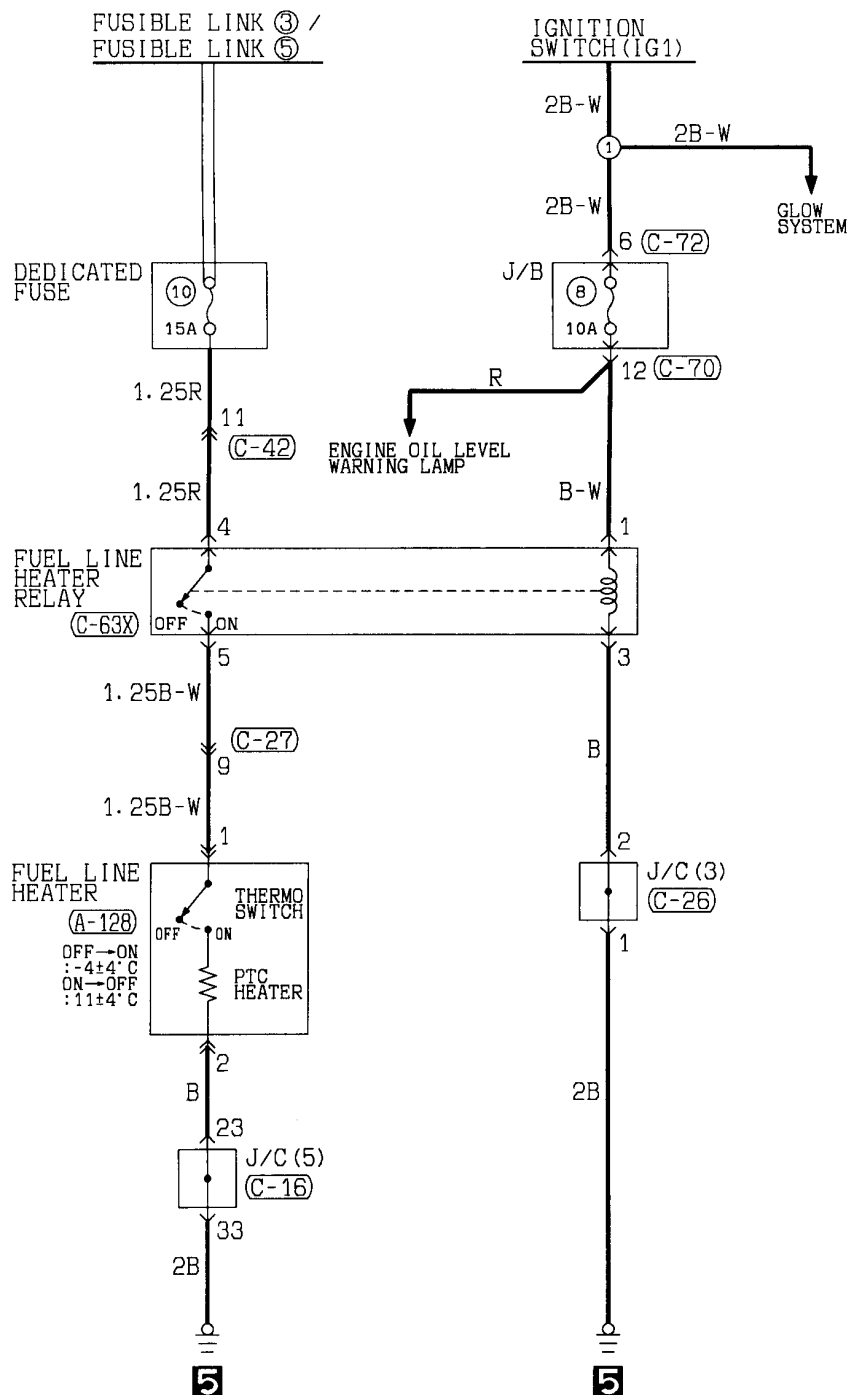
120002434



Wire colour code  
 B:Black LG:Light green G:Green L:Blue W:White Y:Yellow SB:Sky blue  
 BR:Brown O:Orange GR:Gray R:Red P:Pink V:Violet

FUEL LINE HEATER

120002435



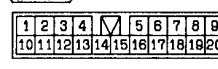
(A-128) (C-16)



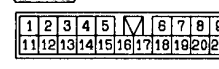
(C-26)



(C-27)



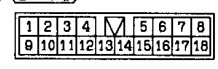
(C-42)



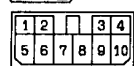
(C-63X)



(C-70)



(C-72)



## INDEX (In order of connector No.)

120002095

	Connector No.	Parts name	Circuit diagram page	Wiring diagram page
A	A-01X	Horn relay <SRS>	4-113	2-4, 10, 16, 22, 28
	A-02X	A/C compressor relay <LHD (A/C)>	4-44, 49, 156, 160, 164, 170, 176, 182, 188	2-4, 10, 22
		Dim-dip lamp relay 3 <RHD>	4-74	2-16, 28
	A-03X	Front condenser fan motor relay <LHD (A/C)>	4-156, 160, 164, 170, 176, 182, 189	2-4, 10, 22
		Dim-dip lamp relay 2 <RHD>	4-74	2-16, 28
	A-04X	Side condenser fan motor relay <LHD (Dual A/C)>	4-170, 176, 182, 188	2-4, 10, 22
		Front condenser fan motor relay <LHD (Single A/C (4D56))>	4-165	2-22
		Dim-dip lamp relay 1 <RHD>	4-75	2-16, 28
	A-05X	Alternator relay <MPI and diesel>	4-36	2-10, 16, 22, 28
		Auto choke relay <Electronic controlled carburettor>	4-36, 44	2-4
	A-06X	Intercooler fan motor relay	4-244	2-22
	A-07X	Rear fog lamp relay	4-82, 86	2-4, 10, 16, 22, 28
	A-08X	Tail lamp relay	4-18, 24, 67, 71, 75, 76, 78, 83, 87, 102, 232, 238, 240	2-4, 10, 16, 22, 28
	A-09X	Headlamp relay	4-18, 24, 66, 70, 74, 82, 86	2-4, 10, 16, 22, 28
	A-10	Side turn signal lamp (RH)	4-105, 107	2-4, 10, 16, 22, 28
	A-11	Free-wheeling differential engage switch <4WD>	4-218, 229	2-10, 22
	A-12	Starter	4-28, 29, 30	2-4, 10, 16, 22, 28
A-13	Starter	4-28, 29, 30	2-4, 10, 16, 22, 28	
A-14	Side turn signal lamp (LH)	4-105, 107	2-4, 10, 16, 22, 28	
A-15	Windshield washer motor	4-192, 193	2-4, 10, 16, 22, 28	
A-16	Front turn signal lamp (LH)	4-105, 107	2-4, 10, 16, 22, 28	
A-17	Headlamp (LH)	4-66, 70, 74	2-4, 10, 16, 22, 28	



	Connector No.	Parts name	Circuit diagram page	Wiring diagram page
A	A-18	Position lamp (LH)	4-76, 78	2-4, 10, 16, 22, 28
	A-19	Control wiring harness and front wiring harness combination	4-39, 40, 44, 46, 49, 54, 131, 156, 160, 165, 170, 171, 176, 177, 182, 183, 188, 189, 244	2-4, 10, 16, 22, 28
	A-20	Control wiring harness and front wiring harness combination	4-16, 18, 22, 24, 30, 38, 40, 211, 215, 221	2-4, 10, 16, 22, 28
	A-21	Headlamp (LH)	4-66, 70, 74	2-4, 10, 16, 22, 29
	A-22	Dual pressure switch <A/C>	4-44, 49, 156, 160, 164, 170, 176, 182, 188	2-5, 11, 23
	A-23	Magnetic clutch <A/C>	4-44, 49, 156, 160, 164, 170, 176, 182, 188	2-5, 11, 23
	A-24	Horn (LH)	4-113, 114	2-5, 11, 17, 23, 29
	A-25	Horn (LH)	4-113, 114	2-5, 11, 17, 23, 29
	A-26	Front impact sensor (LH) <SRS>	4-235, 237	2-5, 11, 17, 23
	A-27	-	-	-
	A-28	A/C refrigerant temperature switch and A/C compressor magnetic valve <Dual A/C>	4-44, 49, 170, 171, 176, 177, 182, 183, 188, 189	2-5, 11, 23
	A-29	Front condenser fan motor (LH) <A/C>	4-160, 164, 170, 176, 182, 189	2-5, 11, 23
	A-30	Front condenser fan motor (RH) <A/C>	4-156, 160, 164, 170, 176, 182, 189	2-5, 11, 23
	A-31	-	-	-
	A-32	Front impact sensor (RH) <SRS>	4-235, 237	2-5, 11, 17, 23
	A-33	Horn (RH)	4-113, 114	2-5, 11, 17, 23, 29
	A-34	Horn (RH)	4-113, 114	2-5, 11, 17, 23, 29
	A-35	Thermo sensor (outside) <Vehicles with multi-meter>	4-131	2-11, 23
	A-36	Headlamp (RH)	4-66, 70, 74	2-5, 11, 17, 23, 29
	A-37	Position lamp (RH)	4-76, 78	2-5, 11, 17, 23, 29
A-38	Headlamp (RH)	4-60, 70, 74	2-5, 11, 17, 23, 29	
A-39	Control wiring harness and front wiring harness combination	4-18, 24, 36	2-5, 11, 17, 23, 29	

	Connector No.	Parts name	Circuit diagram page	Wiring diagram page	
A	A-40	Front turn signal lamp (RH)	4-105, 107	2-5, 11, 17, 23, 29	
	A-41	Air flow sensor <MPI>	4-50, 57	2-12, 18	
	A-42	Ignition timing adjustment connector <MPI>	4-34, 51, 58	2-12, 18	
	A-43	Fuel pump check connector <MPI>	4-46, 54	2-12, 18	
	A-44	Engine speed detection connector <Petrol>	4-32, 34, 42, 44, 55	2-6, 12, 18	
	A-45	Front A/C magnetic valve <Dual A/C>	4-171, 177, 183, 190	2-6, 12, 24	
	A-46	Engine coolant temperature switch <A/T>	4-64	2-12	
	A-47	Engine coolant temperature gauge unit <Petrol>	4-117, 121	2-6, 12, 18	
	A-48	Windshield wiper motor	4-192, 193	2-6, 12, 18, 24, 30	
	A-49	Idle-up solenoid valve <ABS (Electronic controlled carburettor and diesel)>	4-213, 217, 223	2-6, 24, 30	
	A-50	Idle-up solenoid valve <A/C (Electronic controlled carburettor and diesel)>	4-44, 156, 164, 170, 182	2-6, 24	
	A-51		Solenoid valve assembly <Electronic controlled carburettor>	4-43, 44	2-6, 24, 30
			Fuel cut solenoid valve <Diesel>	4-39, 41	2-24
	A-52	-	-	-	
	A-53	Vacuum switch <Electronic controlled carburettor>	4-45	2-6	
	A-54	Injector No.4 <MPI>	4-52, 59	2-12, 18	
	A-55	Injector No.3 <MPI>	4-52, 59	2-12, 18	
	A-56	Capacitor <MPI>	4-34, 47, 55	2-12, 18	
	A-57	Idle speed control servo <MPI>	4-51, 58	2-12, 18	
	A-58	Throttle position sensor <Electronic controlled carburettor and MPI>	4-45, 50, 57	2-6, 12, 18	
	A-59	Injector No.2 <MPI>	4-52, 59	2-12, 18	
	A-60	Injector No.1 <MPI>	4-52, 59	2-12, 18	
	A-61	Injector wiring harness and control wiring harness combination <MPI>	4-51, 52, 58, 59	2-12, 18	
	A-62	Fuel injection pump wiring harness and control wiring harness combination <Diesel>	4-38, 39, 41, 117, 121	2-24, 30	
	A-63	Brake fluid level switch	4-125, 129	2-6, 12, 18, 24, 30	

	Connector No.	Parts name	Circuit diagram page	Wiring diagram page
A	A-64	Vacuum switch <Diesel>	4-125, 129	2-24, 30
	A-65	No connection <4WD (ABS)>	-	2-12, 24
	A-66	No connection <4WD (ABS)>	-	2-12, 24
	A-67	Glow plug relay <Diesel>	4-38, 40	2-24, 30
	A-68	Glow plug relay <Diesel>	4-38, 40	2-24, 30
	A-69	Glow plug relay <Diesel>	4-38, 40	2-24, 30
	A-70	Starter relay <Petrol (A/T) and diesel>	4-28, 30, 48	2-24, 30
	A-71	Water level switch <Diesel>	4-125, 129	2-24, 30
	A-72	Front wheel speed sensor (LH) <ABS>	4-212, 216, 222	2-6, 12, 18, 24, 30
	A-73	ABS wiring harness and control wiring harness combination <4WD (ABS)>	4-216	2-12, 24
	A-74	Purge control solenoid valve <MPI >	4-51, 58	2-12, 18
	A-75	EGR solenoid valve <MPI>	4-51, 58	2-12, 18
	A-76	-	-	-
	A-77	Control wiring harness and battery cable assembly combination <4WD>	4-218, 229	2-13, 24
	A-78	Control wiring harness and battery cable assembly combination	4-28, 29, 30	2-7, 13, 19, 25, 31
	A-79	Control wiring harness and battery cable assembly combination	4-28, 48, 53, 60, 62, 111, 112, 119, 123, 218, 229	2-7, 13, 19, 25, 31
	A-80	Control wiring harness and battery cable assembly combination <A/T>	4-64	2-13
	A-81	Control wiring harness and battery cable assembly combination <MPI>	4-51, 58	2-13, 19
	A-82	-	-	-
	A-83	Engine coolant temperature switch (for dual A/C control) <Petrol> or (for A/C control) <Diesel>	4-165, 171, 177, 183, 189	2-7, 13, 25
A-84	Engine coolant temperature switch (for A/C control)	4-49, 156, 160, 164, 170, 176, 182, 188	2-7, 13, 25	
A-85	Engine coolant temperature sensor (for engine control) <Electronic controlled carburettor and MPI>	4-44, 45, 50, 57	2-7, 13, 19	
A-86	Capacitor <Petrol>	4-32, 34, 47, 55	2-7, 13, 19	
A-87	Ignition coil <Petrol>	4-32, 34, 42, 47, 55	2-7, 13, 19	
A-88	Power transistor	4-34, 47, 55	2-13, 19	

	Connector No.	Parts name	Circuit diagram page	Wiring diagram page
A	A-89	Distributor assembly <Electronic controlled carburettor and MPI>	4-32, 34, 50, 57	2-7, 13, 19
	A-90	Engine coolant temperature sensor and gauge unit <Diesel>	4-39, 40, 117, 121	2-25, 31
	A-91	Revolution pick-up sensor <Diesel>	4-41, 117	2-25, 31
	A-92	Glow plug <Diesel>	4-38, 40	2-25, 31
	A-93	Oil pressure wiring harness and control wiring harness combination <Diesel>	4-124, 128	2-25, 31
	A-94	Engine oil level sensor	4-126, 130	2-7, 13, 19, 25, 31
	A-95	Oil pressure switch	4-124, 128	2-7, 13, 19, 25, 31
	A-96	Alternator	4-36	2-7, 13, 19, 25, 31
	A-97	Alternator	4-36	2-7, 13, 19, 25, 31
	A-98	Oxygen sensor <Electronic controlled carburettor>	4-45	2-7
	A-99	Power steering oil pressure switch <MPI>	4-51, 58	2-13, 19
	A-100	ABS hydraulic unit	4-211, 215, 221	2-7, 13, 19, 25, 31
	A-101	ABS hydraulic unit	4-211, 215, 221	2-7, 13, 19, 25, 31
	A-102	Front wheel speed sensor (RH) <ABS>	4-212, 216, 222	2-7, 13, 19, 25, 31
	A-103	ABS motor relay	4-211, 215, 221	2-7, 13, 19, 25, 31
	A-104	ABS valve relay	4-211, 215, 221	2-7, 13, 19, 25, 31
	A-105	4WD solenoid valve (B)	4-228	2-13, 25
	A-106	4WD solenoid valve (A)	4-228	2-13, 25
	A-107	-	-	-
	A-108	-	-	-
A-109	-	-	-	
A-110	-	-	-	
A-111	-	-	-	
A-112	-	-	-	
A-113	-	-	-	

	Connector No.	Parts name	Circuit diagram page	Wiring diagram page
A	A-114	-	-	-
	A-115	-	-	-
	A-116	-	-	-
	A-117	-	-	-
	A-118	-	-	-
	A-119	-	-	-
	A-120	EGR solenoid valve 1 <Diesel>	4-41	2-26
	A-121	EGR solenoid valve 2 <Diesel>	4-41	2-26
	A-122	Intercooler fan motor	4-244	2-26
	A-123	Intake air temperature switch	4-244	2-26
	A-124	Lever (throttle) position sensor <Diesel>	4-40	2-26
	A-125	Air solenoid valve <Electronic controlled carburettor>	4-43	2-8
	A-126	Headlamp washer relay	4-197	2-8, 15, 27
	A-127	Headlamp washer motor/Headlamp washer fluid level sensor	4-197	2-9, 15, 27
	A-128	Fuel line heater	4-245	2-27
	A-129	Headlamp leveling unit (LH)	4-90, 92	2-9, 15, 21, 27, 33
	A-130	Control wiring harness and battery cable assembly combination <4WD (ABS)>	4-218	2-15, 27
	A-131	Headlamp leveling unit (RH)	4-90, 92	2-9, 15, 21, 27, 33
	A-132	DRL wiring harness and front wiring harness combination	4-66, 67, 70, 71, 76, 82, 83, 102, 205, 232, 238	2-9, 15, 27
A-133	DRL wiring harness and front wiring harness combination	4-66, 67, 70, 71, 76, 82, 83, 102, 205, 232, 238	2-9, 15, 27	
A-134	DRL-ECU	4-67, 76, 82, 83, 102, 205, 232, 238	2-9, 15, 27	
A-135	DRL relay 2	4-66	2-9, 15, 27	
A-136	DRL relay 1	4-67	2-9, 15, 27	
A-137	Resistor <Dim-dip lamp>	4-74	2-21, 31	
B	B-01	Inhibitor switch <A/T>	4-28, 48, 62, 112	2-34
	B-02	Overdrive solenoid valve <A/T>	4-64	2-34
	B-03	Back-up lamp switch <M/T>	4-111	2-34
	B-04	Oxygen sensor <MPI>	4-51, 58	2-34

	Connector No.	Parts name	Circuit diagram page	Wiring diagram page
B	B-05	Vehicle speed sensor	4-53, 60, 119, 123	2-34
	B-06	High range/low range detection switch <4WD>	4-229	2-34
	B-07	4WD detection switch	4-218, 229	2-34
C	C-01	Roof wiring harness and body wiring harness combination	4-77, 79, 84, 88, 96, 98, 100, 101, 109, 110, 134, 138, 169, 175, 181, 194, 195, 203, 208, 224, 226, 230	2-36, 40
	C-02	Roof wiring harness and body wiring harness combination <Vehicles with overhead cooling unit>	4-169, 171, 175, 177, 181, 183	2-36
	C-03	-	-	-
	C-04	Stop lamp switch	4-109, 110, 210, 214, 220	2-36, 40
	C-05	J/C (1)	4-68, 71, 75, 86, 96, 98, 100, 101, 104, 106, 113, 114, 134, 138, 153	2-36, 40
	C-06	J/C (4)	4-132, 136, 140	2-36, 40
	C-07	J/C (2)	4-52, 59, 126, 130, 132, 133, 136, 137, 140, 143, 144, 146, 148, 151, 155, 157, 159, 161, 163, 165, 167, 171, 173, 177, 179, 183, 185, 187, 190, 208, 213, 217, 218, 223, 230, 233, 234, 236	2-36, 40
	C-08	Diagnosis connector	4-52, 59, 103, 213, 217, 223, 234, 236	2-36, 40
	C-09	-	-	-
	C-10	-	-	-
	C-11	Rear heater switch	4-143, 147, 168, 174, 180, 185	2-36, 40
	C-12	Front blower switch	4-142, 146, 150, 152, 154, 158, 162, 166, 172, 178, 184	2-36, 40
	C-13	-	-	-
	C-14	Front A/C switch or no connection	4-142, 146, 150, 155, 159, 163, 167, 173, 179, 185	2-36
	C-15	Diode (for A/C idle up circuit) <Electronic controlled carburettor>	4-44, 156, 170	2-36
	C-16	J/C (5)	4-32, 43, 45, 51, 53, 58, 60, 117, 119, 121, 123, 126, 130, 157, 161, 165, 171, 177, 183, 189, 211, 212, 215, 216, 218, 221, 222, 229, 244, 245	2-36, 40

	Connector No.	Parts name	Circuit diagram page	Wiring diagram page
C	C-17	Front door wiring harness (passenger's side) and body wiring harness combination	4-101, 132, 134, 136, 138, 140, 200, 203	2-36, 40
	C-18	Engine control relay <MPI>	4-46, 54	2-36, 40
	C-19	Rear intermittent wiper relay	4-194	2-36, 40
	C-20	-	-	-
	C-21	-	-	-
	C-22	Fuel pump-ECU <Electronic controlled carburettor>	4-42	2-36
	C-23	Engine-ECU	4-32, 34, 43, 45, 46, 47, 49, 50, 51, 52, 54, 55, 57, 58, 59, 160, 176, 188	2-36, 40
	C-24	Engine-ECU	4-34, 43, 44, 46, 48, 49, 51, 52, 54, 56, 58, 59, 156, 160, 170, 176, 188	2-36, 41
	C-25	Engine-ECU or glow-ECU	4-34, 38, 41, 46, 48, 50, 51, 53, 54, 56, 57, 58, 60	2-37, 41
	C-26	J/C (3)	4-101, 109, 110, 132, 136, 143, 147, 155, 159, 163, 166, 172, 178, 185, 194, 197, 210, 212, 214, 216, 220, 222, 243, 245	2-37, 41
	C-27	Control wiring harness and body wiring harness combination	4-42, 45, 46, 52, 53, 54, 59, 60, 62, 111, 112, 118, 119, 122, 123, 126, 130, 157, 161, 165, 171, 177, 183, 189, 192, 193, 210, 214, 220, 228, 234, 236, 245	2-37, 41
	C-28	Control wiring harness and body wiring harness combination	4-171, 177, 183, 190, 210, 212, 213, 214, 216, 217, 218, 220, 222, 223	2-37, 41
	C-29	Control wiring harness and body wiring harness combination	4-16, 22, 28, 29, 30, 32, 34, 38, 39, 41, 42, 46, 48, 54, 56, 234, 236, 244	2-37, 41
	C-30	-	-	-
	C-31	Diode (for ABS circuit)	4-210, 214, 220	2-37, 41
	C-32	ABS-ECU	4-52, 59, 210, 211, 212, 213, 214, 215, 216, 217, 218, 220, 221, 222, 223	2-37, 41
	C-33	ABS-ECU	4-210, 211, 212, 213, 214, 215, 216, 217, 218, 220, 221, 222, 223	2-37, 41
	C-34	SRS diagnosis unit	4-235, 237	2-37, 41
C-35	-	-	-	
C-36	SRS diagnosis unit	4-234, 235, 236, 237	2-37, 41	

	Connector No.	Parts name	Circuit diagram page	Wiring diagram page
C	C-37	Diode (for rear blower circuit) <Vehicles with under seat type rear heater>	4-143, 168, 174, 180	2-37
	C-38	Thermo sensor (inside) <Vehicles with multi-meter>	4-131	2-37
	C-39	Front door wiring harness (driver's side) and body wiring harness combination	4-101, 133, 137, 140, 141, 200, 203	2-37, 41
	C-40	Front wiring harness and body wiring harness combination <SRS>	4-235, 237	2-37, 41
	C-41	Front wiring harness and body wiring harness combination	4-16, 17, 18, 22, 23, 24, 68, 71, 74, 132, 136, 224, 226, 230	2-37, 41
	C-42	Front wiring harness and body wiring harness combination	4-44, 49, 66, 68, 70, 71, 74, 75, 76, 77, 78, 79, 82, 86, 87, 102, 109, 110, 113, 114, 157, 161, 165, 170, 171, 176, 177, 182, 183, 188, 189, 192, 193, 197, 205, 210, 214, 220, 232, 238, 240, 245	2-37, 41
	C-43	Ignition switch	4-16, 22	2-38, 42
	C-44	Column switch	4-68, 71, 75, 82, 86, 197	2-38, 42
	C-45	Column switch	4-68, 71, 75, 76, 78, 82, 87, 102, 105, 107, 232, 238, 240	2-38, 42
	C-46	Column switch	4-113, 114, 192, 193, 194, 197	2-38, 42
	C-47	Key reminder switch	4-103	2-38, 42
	C-48	Clock spring <SRS>	4-113	2-38, 42
	C-49	Clock spring <SRS>	4-235, 237	2-38, 42
	C-50	Steering wheel sensor <ABS>	4-212, 216, 222	2-38, 42
	C-51	No connection <SRS>	-	2-38, 42
	C-52	Horn switch <SRS>	4-113	2-38, 42
	C-53	Air bag module (squib)(driver's side)	4-235, 237	2-38, 42
	C-54	Thermostat <Single A/C>	4-44, 49, 157, 161, 165	2-38
	C-55	Thermostat wiring harness and body wiring harness combination <Single A/C>	4-44, 49, 157, 161, 165	2-38
	C-56	A/C-ECU <Dual A/C>	4-44, 49, 171, 177, 183, 190	2-38
C-57	Front air thermo sensor <Dual A/C>	4-171, 177, 183, 190	2-38	
C-58	Resister <Overhead type A/C>	4-171, 177, 183	2-38	
C-59	-	-	-	
C-60	Front blower resistor	4-142, 146, 150, 152, 154, 158, 162, 166, 172, 178, 184	2-38, 42	



	Connector No.	Parts name	Circuit diagram page	Wiring diagram page
C	C-61	Front blower motor	4-142, 146, 150, 152, 154, 158, 162, 166, 172, 178, 184	2-38, 42
	C-62X	Door lock-ECU	4-132, 136	2-38, 42
	C-63X	Fuel line heater relay	4-245	2-38
	C-64X	Power window relay	4-140	2-38
	C-65X	Turn-signal and hazard warning flasher unit	4-104, 106	2-38, 42
	C-66X	Rear blower motor relay (HI) <Under seat type rear heater> or rear blower motor relay <Built-in type rear heater>	4-143, 147, 168, 174, 180, 186	2-38
	C-67X	Accessory socket relay	4-208	2-38
	C-68	Roof wiring harness and junction block combination	4-96, 98, 100, 102	2-38, 43
	C-69	Instrument panel wiring harness and junction block combination	4-36, 39, 40, 48, 56, 62, 63, 64, 83, 84, 87, 88, 91, 93, 96, 98, 100, 104, 105, 106, 107, 116, 117, 118, 119, 121, 122, 124, 125, 126, 128, 129, 130, 131, 144, 151, 153, 155, 159, 163, 167, 173, 179, 197, 198, 199, 202, 204, 205, 206, 207, 210, 212, 214, 216, 220, 222, 228, 229, 232, 235, 237, 242	2-39, 43
	C-70	Body wiring harness and junction block combination	4-52, 59, 101, 103, 105, 107, 126, 130, 131, 140, 142, 146, 150, 154, 158, 162, 166, 172, 178, 184, 192, 193, 194, 208, 210, 213, 214, 217, 220, 223, 228, 230, 234, 235, 236, 237, 245	2-39, 43
	C-71	Body wiring harness and junction block combination	4-53, 60, 62, 103, 105, 107, 111, 112, 119, 123, 142, 146, 150, 152, 154, 158, 162, 163, 166, 172, 178, 184, 197, 200, 207, 208, 210, 214, 220, 225, 227, 239, 241, 242	2-39, 43
C-72	Body wiring harness and junction block combination	4-20, 21, 26, 27, 36, 39, 40, 44, 48, 53, 56, 60, 62, 63, 64, 67, 75, 84, 88, 91, 93, 103, 104, 105, 106, 107, 111, 112, 113, 114, 116, 117, 118, 119, 120, 121, 122, 123, 124, 125, 126, 128, 129, 130, 131, 133, 137, 140, 141, 142, 144, 146, 150, 151, 152, 153, 154, 155, 158, 159, 162, 163, 166, 167, 172, 173, 178, 179, 184, 192, 193, 194, 195, 197, 198, 199, 200, 202, 204, 205, 206, 207, 208, 210, 212, 214, 220, 222, 224, 226, 228, 229, 230, 232, 235, 237, 238, 241, 242, 245	2-39, 43	

	Connector No.	Parts name	Circuit diagram page	Wiring diagram page	
C	C-73	Defogger relay	4-198, 199	2-39, 43	
	C-74	Front blower motor relay	4-142, 146, 150, 152, 154, 158, 162, 166, 172, 178, 184	2-39, 43	
	C-75	Front wiring harness and junction block combination	4-21, 27, 36, 39, 40, 44, 52, 59, 62, 67, 75, 76, 78, 83, 87, 91, 93, 96, 98, 100, 101, 102, 103, 104, 105, 106, 107, 113, 114, 116, 118, 120, 122, 126, 130, 131, 142, 146, 150, 152, 154, 158, 162, 166, 172, 178, 184, 197, 198, 199, 202, 204, 205, 206, 207, 208, 210, 213, 214, 217, 220, 223, 232, 234, 236, 239, 241, 242	2-39, 43	
	C-76	Front wiring harness and junction block combination	4-21, 27, 142, 146, 150, 152, 154, 158, 162, 166, 172, 178, 184, 198, 199, 208	2-39, 43	
	C-77	Buzzer-ECU	4-103, 239, 241	2-39, 43	
	C-78	Roof wiring harness and junction block combination	4-76, 78, 96, 97, 98, 99, 100, 105, 107, 111, 112, 166, 172, 178, 195, 198, 199, 224, 225, 226, 227	2-39, 43	
	C-79	Body wiring harness and joint wiring harness combination <Overhead type A/C>	4-44, 49, 171, 177, 183	2-39	
	C-80	Body wiring harness and joint wiring harness combination <Under seat type rear heater>	4-143, 168, 174, 180	2-39	
	C-81	Diode (for dim-dip lamp circuit)	4-75, 87	2-43	
	C-82	Front wiring harness and instrument panel wiring harness combination	4-82, 88, 91, 93	2-39, 43	
	C-83	Diode (for dim-dip lamp circuit)	4-75	2-43	
	C-84	Diode (for dim-dip lamp circuit)	4-74, 86	2-43	
	C-85	Diode (for DRL and rear fog lamp circuit)	4-86, 71, 82	2-39	
	C-86	Air bag module (squib)(passenger's side)	4-234	2-39	
	C-87	Intercooler fan-ECU	4-244	2-39	
	C-88	SRS diagnosis unit	4-234	2-39	
	D	D-01	Combination meter	4-36, 39, 40, 48, 56, 117, 124, 125, 126, 128, 129, 130, 235, 237	2-44, 46
		D-02	Combination meter	4-48, 56, 68, 71, 74, 84, 88, 105, 107, 116, 118, 120, 122, 125, 129, 235, 237	2-44, 46

	Connector No.	Parts name	Circuit diagram page	Wiring diagram page
D	D-03	J/C (6)	4-36, 39, 40, 48, 56, 63, 64, 84, 88, 91, 93, 96, 98, 100, 104, 106, 116, 117, 118, 120, 121, 122, 124, 125, 126, 128, 129, 130, 131, 144, 148, 151, 153, 155, 159, 163, 167, 173, 179, 187, 197, 198, 199, 202, 204, 205, 206, 207, 210, 212, 214, 216, 220, 222, 228, 229, 232, 233, 235, 237, 242	2-44, 46
	D-04	Combination meter (A/T)	4-63	2-44
	D-05	J/C (7)	4-63, 84, 88, 91, 93, 102, 131, 202, 204, 205, 206, 232, 233, 242	2-44, 46
	D-06	Combination meter	4-96, 98, 100, 117, 118, 121, 122, 125, 129, 210, 214, 220	2-44, 46
	D-07	Combination meter	4-39, 40, 116, 117, 118, 120, 121, 122, 124, 126, 128, 130, 197, 210, 214, 220, 228, 229, 235, 237	2-44, 46
	D-08	Multi-meter	4-131	2-44
	D-09	-	-	-
	D-10	Hazard warning switch	4-104, 106	2-44, 46
	D-11	Defogger switch	4-198, 199	2-44, 46
	D-12	Clock	4-205	2-44
	D-13	4WD indicator-ECU	4-228, 229	2-44
	D-14	Glove box lamp	4-102	2-44
	D-15	Front speaker (passenger's side)	4-203, 204	2-44, 46
	D-16	Glove box lamp switch	4-102	2-44
	D-17	Control wiring harness and instrument panel wiring harness combination	4-29, 30, 32, 34, 39, 40, 42, 47, 48, 55, 56, 64, 117, 121, 124, 125, 128, 129, 131, 210, 214, 220, 236	2-44, 46
	D-18	Control wiring harness and instrument panel wiring harness combination <4WD or A/T>	4-63, 229	2-44
	D-19	-	-	-
	D-20	-	-	-
	D-21	Radio and tape player	4-202, 203, 204	2-44, 47
	D-22	Radio and tape player	4-203, 204	2-44, 47
	D-23	Cigarette lighter illumination lamp	4-206, 207	2-44, 47
	D-24	Cigarette lighter	4-206, 207	2-44, 47

	Connector No.	Parts name	Circuit diagram page	Wiring diagram page
D	D-25	Cigarette lighter	4-206, 207	2-45, 47
	D-26	Ashtray illumination lamp	4-206	2-45
	D-27	Body wiring harness and instrument panel wiring harness combination	4-203	2-45
	D-28	Body wiring harness and instrument panel wiring harness combination	4-66, 68, 70, 71, 74, 84, 88, 104, 106, 117, 118, 121, 122, 124, 125, 126, 128, 129, 130, 131, 144, 148, 151, 153, 155, 159, 163, 167, 173, 179, 187, 197, 205, 206, 207, 212, 222, 233, 235, 237	2-45, 47
	D-29	Overdrive switch <A/T>	4-63	2-45
	D-30	Rheostat or jumper connector	4-63, 84, 91, 104, 116, 131, 144, 151, 155, 159, 163, 167, 173, 179, 198, 202, 206, 229, 232, 242	2-45
	D-31	Front speaker (driver's side)	4-203, 204	2-45, 47
	D-32	Headlamp leveling switch	4-91, 93	2-45, 47
	D-33	Rear fog lamp switch	4-84, 88	2-45, 47
	D-34	Instrument panel wiring harness and 4WD indicator wiring harness combination <SRS (passenger's side)>	4-228, 229	2-45
	D-35	Overdrive control relay <A/T>	4-64	2-45
	D-36	Heated seat switch (RH)	4-242	2-45
	D-37	Heated seat switch (LH)	4-242	2-45
	D-38	Body wiring harness and instrument panel wiring harness combination <Heated seat>	4-242, 243	2-45
	E	E-01	Front room lamp	4-96, 98, 100
E-02		Sunroof and sunshade switch (for front seats)	4-225, 227, 230	2-48, 50
E-03		Front sunroof motor	4-224	2-48, 50
E-04		No connection	4-102	2-48, 50, 52
E-05		Front sunroof-ECU	4-224, 225	2-48, 50
E-06		Slide door switch (RH)	4-96, 98, 100, 101	2-48, 50, 52, 54
E-07		Sunshade motor (front:RH)	4-230	2-48
E-08		Overhead cooling unit	4-169, 175, 181	2-50, 52
E-09		Rear room lamp <Vehicles without Crystal lite roof sunshade>	4-96, 99	2-50, 52, 54
E-10		Rear sunroof motor	4-226	2-50

	Connector No.	Parts name	Circuit diagram page	Wiring diagram page
E	E-11	Rear sunroof switch (for rear seats)	4-277	2-50
	E-12	Rear speaker (RH)	4-203	2-48, 50, 52
	E-13	Rear sunroof-ECU	4-226, 227	2-50
	E-14	Sunshade motor (front:LH)	4-230	2-48
	E-15	Tailgate wiring harness and roof wiring harness combination	4-96, 98, 100, 101, 198, 199	2-48, 50, 52, 54
	E-16	Tailgate wiring harness and roof wiring harness combination	4-134, 138	2-48, 50, 52, 54
	E-17	Tailgate wiring harness and roof wiring harness combination	4-195	2-48, 50, 52, 54
	E-18	Tailgate wiring harness and roof wiring harness combination	4-77, 79, 110, 111, 112	2-48, 50, 52, 54
	E-19	Cargo room lamp	4-97, 99	2-48, 50, 52, 54
	E-20	Rear combination lamp (RH)	4-77, 79, 105, 107, 109	2-48, 50, 52, 54
	E-21	Accessory socket	4-208	2-48, 50, 52
	E-22	Accessory socket	4-208	2-48, 50, 52
	E-23	Rear combination lamp (LH)	4-77, 79, 105, 107, 109, 110	2-48, 50, 52, 54
	E-24	Rear washer motor	4-194	2-48, 50, 52, 54
	E-25	Door switch wiring harness (LH) and roof wiring harness combination	4-203	2-48, 50, 52
	E-26	Door switch wiring harness (LH) and roof wiring harness combination	4-96, 98, 100, 101	2-51, 53, 55
	E-27	Rear speaker (LH)	4-203	2-49, 51, 53
	E-28	Door switch wiring harness (RH) and roof wiring harness combination	4-96, 100, 101	2-49, 51, 53, 55
	E-29	Door switch wiring harness (RH) and roof wiring harness combination	4-203	2-49, 51, 53
	E-30	Slide door switch (LH)	4-96, 98, 100, 101	2-51, 53, 55
	E-31	Sunshade motor (rear:RH)	4-231	2-49
	E-32	Sunshade relay (front:RH)	4-230	2-49
	E-33	Sunshade relay (front:LH)	4-230	2-49
	E-34	Sunshade relay (rear:RH)	4-231	2-49
	E-35	Sunshade relay (rear:LH)	4-231	2-49
	E-36	Diode (for closing front sunshade)	4-230	2-49
	E-37	Diode (for closing rear sunshade)	4-231	2-49
	E-38	Sunshade switch (for rear seats)	4-230	2-49

	Connector No.	Parts name	Circuit diagram page	Wiring diagram page
E	E-39	Luxury-type room lamp	4-97	2-49
	E-40	Diode (for opening front sunshade)	4-230	2-49
	E-41	Diode (for opening rear sunshade)	4-231	2-49
	E-42	Sunshade motor (rear:LH)	4-231	2-49
	E-43	Rear fog lamp	4-84, 88	2-49, 51, 53, 55
	E-44	Roof wiring harness and rear fog lamp wiring harness combination	4-84, 88	2-49, 51, 53, 55
F	F-01	Step lamp (RH)	4-101	2-56
	F-02	Front door switch (passenger's side)	4-96, 98, 100, 101	2-56, 57
	F-03	Contact switch (RH)	4-133, 137	2-56, 57
	F-04	Fuel wiring harness and body wiring harness combination <Under seat type rear heater>	4-147, 171, 174, 177, 180, 183	2-56
	F-05	Fuel wiring harness and body wiring harness combination <ABS>	4-213, 217, 223	2-56, 57
	F-06	Fuel wiring harness and body wiring harness combination	4-43, 47, 55, 117, 121, 124, 128, 170, 176, 182, 188	2-56, 57
	F-07	Rear blower motor <Under seat type rear heater>	4-143, 168, 174, 180	2-56
	F-08	Rear blower motor relay (LO) <Under seat type rear heater>	4-143, 168, 174, 180	2-56
	F-09	Rear blower wiring harness and fuel gauge wiring harness combination <Under seat type rear heater>	4-143, 168, 174, 180	2-56
	F-10	Rear heater wiring harness and body wiring harness combination <Built-in type rear heater>	4-147, 148, 186, 189, 190, 233	2-56
	F-11	Rear heater switch <Built-in type rear heater>	4-147, 186	2-56
	F-12	Rear A/C switch <Built-in type A/C>	4-187	2-56
	F-13	Rear blower switch <Built-in type rear heater>	4-148, 187	2-56
	F-14	Rear blower control panel illumination lamp <Built-in type rear heater>	4-147, 186	2-56
	F-15	Contact switch (LH)	4-133, 137	2-56, 57
	F-16	Front door switch (driver's side)	4-96, 98, 100, 101, 103, 225, 227, 239, 241	2-56, 57
	F-17	-	-	-
	F-18	ABS G sensor <4WD>	4-218	2-56

	Connector No.	Parts name	Circuit diagram page	Wiring diagram page
F	F-19	Parking brake switch	4-125, 129	2-56, 57
	F-20	Engine oil level relay	4-126, 130	2-56, 57
	F-21	Step lamp (LH)	4-101	2-56
	F-22	Heated seat wiring harness (LH) and body wiring harness combination	4-243	2-56
	F-23	Seat back heater (LH)	4-243	2-56
	F-24	Seat cushion heater (LH)	4-243	2-56
	F-25	Seat cushion heater (RH)	4-243	2-56
	F-26	Seat back heater (RH)	4-243	2-56
	F-27	Heated seat wiring harness (RH) and body wiring harness combination	4-243	2-56
G	G-01	Side condenser fan motor <Dual A/C> or no connection	4-170, 176, 182, 188	2-58, 60
	G-02	No connection	-	2-60
	G-03	Rear A/C magnetic valve <Overhead type A/C>	4-171, 177, 183	2-58
	G-04	Fuel gauge unit	4-117, 121, 124, 128	2-58, 60
	G-05	Fuel pump wiring harness and fuel gauge wiring harness combination <Petrol>	4-43, 47, 55	2-58, 60
	G-06	Fuel pump <Petrol>	4-43, 47, 55	2-58, 60
	G-07	Rear wheel speed sensor (RH) <ABS>	4-213, 217, 223	2-58, 60
	G-08	Rear wheel speed sensor (LH) <ABS>	4-213, 217, 223	2-58, 60
	G-09	Rear A/C magnetic valve <Built-in type A/C>	4-190	2-58
	G-10	Rear blower motor <Built-in type rear heater>	4-148, 187	2-59
	G-11	Rear blower wiring harness and rear A/C wiring harness combination <Built-in type rear heater>	4-148, 187	2-59
	G-12	Rear A/C wiring harness and rear heater wiring harness combination <Built-in type rear heater>	4-148, 187, 190	2-59
	G-13	Rear air thermo sensor <A/C>	4-190	2-59
H	H-01	Remote controlled mirror (driver's side)	4-200	2-62
	H-02	Remote controlled mirror switch	4-200	2-62
	H-03	Power window motor (driver's side)	4-141	2-62
	H-04	Power window main switch	4-140	2-62

	Connector No.	Parts name	Circuit diagram page	Wiring diagram page
H	H-05	Front door lock actuator (driver's side)	4-133, 137	2-62, 64
	H-06	Front door lamp (driver's side)	4-101	2-62
	H-07	Power window limit switch (driver's side)	4-140	2-62
	H-08	Door speaker (driver's side)	4-203	2-62
	H-09	Remote controlled mirror (passenger's side)	4-200	2-62
	H-10	Power window limit switch (passenger's side)	4-140	2-62
	H-11	Power window motor (passenger's side)	4-140	2-62
	H-12	Power window sub switch	4-140	2-62
	H-13	Door lock key cylinder switch (passenger's side)	4-132, 136	2-62, 64
	H-14	Front door lock actuator (passenger's side)	4-134, 138	2-62, 64
	H-15	Slide door lock actuator (passenger's side)	4-133, 137	2-62, 64
	H-16	Front door lamp (passenger's side)	4-101	2-62
	H-17	Door speaker (passenger's side)	4-203	2-62
	H-18	Slid door lock actuator (driver's side)	4-133, 137	2-62, 64
J	J-01	Defogger (-)	4-198, 199	2-66
	J-02	-	-	-
	J-03	Defogger (+)	4-198, 199	2-66
	J-04	Defogger cable (+) and tailgate wiring harness combination	4-198, 199	2-66
	J-05	Tailgate lamp (RH)	4-111, 112	2-66
	J-06	Tailgate lock actuator	4-134, 138	2-66
	J-07	Licence plate lamp (RH)	4-77, 79	2-66
	J-08	Rear wiper motor	4-195	2-66
	J-09	Licence plate lamp (LH)	4-77, 79	2-66
	J-10	Tailgate switch	4-96, 98, 100, 101	2-66
	J-11	Tailgate lamp (LH)	4-111, 112	2-66



## INDEX (In order of parts name)

	Parts name	Connector No.	Circuit diagram page	Wiring diagram page
4	4WD detection switch	B-07	4-218, 229	2-34
	4WD indicator-ECU	D-13	4-228, 229	2-44
	4WD solenoid valve (A)	A-106	4-228	2-13, 25
	4WD solenoid valve (B)	A-105	4-228	2-13, 25
A	A/C compressor relay <LHD (A/C)>	A-02X	4-44, 49, 156, 160, 164, 170, 176, 182, 188	2-4, 10, 22
	A/C refrigerant temperature switch and A/C compressor magnetic valve <Dual A/C>	A-28	4-44, 49, 170, 171, 176, 177, 182, 183, 188, 189	2-5, 11, 23
	A/C-ECU <Dual A/C>	C-56	4-44, 49, 171, 177, 183, 190	2-38
	ABS G sensor <4WD>	F-18	4-218	2-56
	ABS hydraulic unit	A-100	4-211, 215, 221	2-7, 13, 19, 25, 31
		A-101	4-211, 215, 221	2-7, 13, 19, 25, 31
	ABS motor relay	A-103	4-211, 215, 221	2-7, 13, 19, 25, 31
	ABS valve relay	A-104	4-211, 215, 221	2-7, 13, 19, 25, 31
	ABS wiring harness and control wiring harness combination <4WD (ABS)>	A-73	4-216	2-12, 24
	ABS-ECU	C-33	4-210, 211, 212, 213, 214, 215, 216, 217, 218, 220, 221, 222, 223	2-37, 41
		C-32	4-52, 59, 210, 211, 212, 213, 214, 215, 216, 217, 218, 220, 221, 222, 223	2-37, 41
	Accessory socket relay	C-67X	4-208	2-38
	Accessory socket	E-21	4-208	2-48, 50, 52
		E-22	4-208	2-48, 50, 52
	Air bag module (squib)(driver's side)	C-53	4-235, 237	2-38, 42
	Air bag module (squib)(passenger's side)	C-86	4-234	2-39
	Air flow sensor <MPI>	A-41	4-50, 57	2-12, 18
Air solenoid valve <Electronic controlled carburettor>	A-125	4-43	2-8	
Alternator relay <MPI and diesel>	A-05X	4-36	2-10, 16, 22, 28	

	Parts name	Connector No.	Circuit diagram page	Wiring diagram page
A	Alternator	A-96	4-36	2-7, 13, 19, 25, 31
		A-97	4-36	2-7, 13, 19, 25, 31
	Ashtray illumination lamp	D-26	4-206	2-45
	Auto choke relay <Electronic controlled carburettor>	A-05X	4-36, 44	2-4
B	Back-up lamp switch <M/T>	B-03	4-111	2-34
	Body wiring harness and instrument panel wiring harness combination	D-27	4-203	2-45
		D-28	4-66, 68, 70, 71, 74, 84, 88, 104, 106, 117, 118, 121, 122, 124, 125, 126, 128, 129, 130, 131, 144, 148, 151, 153, 155, 159, 163, 167, 173, 179, 187, 197, 205, 206, 207, 212, 222, 233, 235, 237	2-45, 47
	Body wiring harness and instrument panel wiring harness combination <Heated seat>	D-38	4-242, 243	2-45
	Body wiring harness and joint wiring harness combination <Overhead type A/C>	C-79	4-44, 49, 171, 177, 183	2-39
	Body wiring harness and joint wiring harness combination <Under seat type rear heater>	C-80	4-143, 168, 174, 180	2-39
	Body wiring harness and junction block combination	C-72	4-20, 21, 26, 27, 36, 39, 40, 44, 48, 53, 56, 60, 62, 63, 64, 67, 75, 84, 88, 91, 93, 103, 104, 105, 106, 107, 111, 112, 113, 114, 116, 117, 118, 119, 120, 121, 122, 123, 124, 125, 126, 128, 129, 130, 131, 133, 137, 140, 141, 142, 144, 146, 150, 151, 152, 153, 154, 155, 158, 159, 162, 163, 166, 167, 172, 173, 178, 179, 184, 192, 193, 194, 195, 197, 198, 199, 200, 202, 204, 205, 206, 207, 208, 210, 212, 214, 220, 222, 224, 226, 228, 229, 230, 232, 235, 237, 238, 241, 242, 245	2-39, 43
		C-70	4-52, 59, 101, 103, 105, 107, 126, 130, 131, 140, 142, 146, 150, 154, 158, 162, 166, 172, 178, 184, 192, 193, 194, 208, 210, 213, 214, 217, 220, 223, 228, 230, 234, 235, 236, 237, 245	2-39, 43

	Parts name	Connector No.	Circuit diagram page	Wiring diagram page
B	Body wiring harness and junction block combination	C-71	4-53, 60, 62, 103, 105, 107, 111, 112, 119, 123, 142, 146, 150, 152, 154, 158, 162, 163, 166, 172, 178, 184, 197, 200, 207, 208, 210, 214, 220, 225, 227, 239, 241, 242	2-39, 43
	Brake fluid level switch	A-63	4-125, 129	2-6, 12, 18, 24, 30
	Buzzer-ECU	C-77	4-103, 239, 241	2-39, 43
C	Capacitor <MPI>	A-56	4-34, 47, 55	2-12, 18
	Capacitor <Petrol>	A-86	4-32, 34, 47, 55	2-7, 13, 19
	Cargo room lamp	E-19	4-97, 99	2-48, 50, 52, 54
	Cigarette lighter illumination lamp	D-23	4-206, 207	2-44, 47
	Cigarette lighter	D-24	4-206, 207	2-44, 47
		D-25	4-206, 207	2-44, 47
	Clock spring <SRS>	C-48	4-113	2-38, 42
		C-49	4-235, 237	2-38, 42
	Clock	D-12	4-205	2-44
	Column switch	C-46	4-113, 114, 192, 193, 194, 197	2-38, 42
		C-45	4-68, 71, 75, 76, 78, 82, 87, 102, 105, 107, 232, 238, 240	2-38, 42
		C-44	4-68, 71, 75, 82, 86, 197	2-38, 42
	Combination meter (A/T)	D-04	4-63	2-44
	Combination meter	D-01	4-36, 39, 40, 48, 56, 117, 124, 125, 126, 128, 129, 130, 235, 237	2-44, 46
		D-07	4-39, 40, 116, 117, 118, 120, 121, 122, 124, 126, 128, 130, 197, 210, 214, 220, 228, 229, 235, 237	2-44, 46
		D-02	4-48, 56, 68, 71, 74, 84, 88, 105, 107, 116, 118, 120, 122, 125, 129, 235, 237	2-44, 46
		D-06	4-96, 98, 100, 117, 118, 121, 122, 125, 129, 210, 214, 220	2-44, 46
	Contact switch (LH)	F-15	4-133, 137	2-56, 57
	Contact switch (RH)	F-03	4-133, 137	2-56, 57
	Control wiring harness and battery cable assembly combination	A-78	4-28, 29, 30	2-7, 13, 19, 25, 31
	Control wiring harness and battery cable assembly combination <4WD (ABS)>	A-130	4-218	2-15, 27

	Parts name	Connector No.	Circuit diagram page	Wiring diagram page
C	Control wiring harness and battery cable assembly combination <4WD>	A-77	4-218, 229	2-13, 24
	Control wiring harness and battery cable assembly combination <A/T>	A-80	4-64	2-13
	Control wiring harness and battery cable assembly combination <MPI>	A-81	4-51, 58	2-13, 19
	Control wiring harness and battery cable assembly combination	A-79	4-28, 48, 53, 60, 62, 111, 112, 119, 123, 218, 229	2-7, 13, 19, 25, 31
	Control wiring harness and body wiring harness combination	C-29	4-16, 22, 28, 29, 30, 32, 34, 38, 39, 41, 42, 46, 48, 54, 56, 234, 236, 244	2-37, 41
		C-28	4-171, 177, 183, 190, 210, 212, 213, 214, 216, 217, 218, 220, 222, 223	2-37, 41
		C-27	4-42, 45, 46, 52, 53, 54, 59, 60, 62, 111, 112, 118, 119, 122, 123, 126, 130, 157, 161, 165, 171, 177, 183, 189, 192, 193, 210, 214, 220, 228, 234, 236, 245	2-37, 41
	Control wiring harness and front wiring harness combination	A-20	4-16, 18, 22, 24, 30, 38, 40, 211, 215, 221	2-4, 10, 16, 22, 28
		A-39	4-18, 24, 36	2-5, 11, 17, 23, 29
		A-19	4-39, 40, 44, 46, 49, 54, 131, 156, 160, 165, 170, 171, 176, 177, 182, 183, 188, 189, 244	2-4, 10, 16, 22, 28
	Control wiring harness and instrument panel wiring harness combination <4WD or A/T>	D-18	4-63, 229	2-44
	Control wiring harness and instrument panel wiring harness combination	D-17	4-29, 30, 32, 34, 39, 40, 42, 47, 48, 55, 56, 64, 117, 121, 124, 125, 128, 129, 131, 210, 214, 220, 236	2-44, 46
D	DRL relay 1	A-136	4-67	2-9, 15, 27
	DRL relay 2	A-135	4-66	2-9, 15, 27
	DRL wiring harness and front wiring harness combination	A-132	4-66, 67, 70, 71, 76, 82, 83, 102, 205, 232, 238	2-9, 15, 27
		A-133	4-66, 67, 70, 71, 76, 82, 83, 102, 205, 232, 238	2-9, 15, 27
	DRL-ECU	A-134	4-67, 76, 82, 83, 102, 205, 232, 238	2-9, 15, 27
	Defogger (+)	J-03	4-198, 199	2-66
	Defogger (-)	J-01	4-198, 199	2-66

	Parts name	Connector No.	Circuit diagram page	Wiring diagram page
D	Defogger cable (+) and tailgate wiring harness combination	J-04	4-198, 199	2-66
	Defogger relay	C-73	4-198, 199	2-39, 43
	Defogger switch	D-11	4-198, 199	2-44, 46
	Diagnosis connector	C-08	4-52, 59, 103, 213, 217, 223, 234, 236	2-36, 40
	Dim-dip lamp relay 1 <RHD>	A-04X	4-75	2-16, 28
	Dim-dip lamp relay 2 <RHD>	A-03X	4-74	2-16, 28
	Dim-dip lamp relay 3 <RHD>	A-02X	4-74	2-16, 28
	Diode (for A/C idle up circuit) <Electronic controlled carburettor>	C-15	4-44, 156, 170	2-36
	Diode (for ABS circuit)	C-31	4-210, 214, 220	2-37, 41
	Diode (for DRL and rear fog lamp circuit)	C-85	4-86, 71, 82	2-39
	Diode (for closing front sunshade)	E-36	4-230	2-49
	Diode (for closing rear sunshade)	E-37	4-231	2-49
	Diode (for dim-dip lamp circuit)	C-84	4-74, 86	2-43
		C-81	4-75, 87	2-43
		C-83	4-75	2-43
	Diode (for opening front sunshade)	E-40	4-230	2-49
	Diode (for opening rear sunshade)	E-41	4-231	2-49
	Diode (for rear blower circuit) <Vehicles with under seat type rear heater>	C-37	4-143, 168, 174, 180	2-37
	Distributor assembly <Electronic controlled carburettor and MPI>	A-89	4-32, 34, 50, 57	2-7, 13, 19
	Door lock key cylinder switch (passenger's side)	H-13	4-132, 136	2-62, 64
	Door lock-ECU	C-62X	4-132, 136	2-38, 42
	Door speaker (driver's side)	H-08	4-203	2-62
	Door speaker (passenger's side)	H-17	4-203	2-62
	Door switch wiring harness (LH) and roof wiring harness combination	E-25	4-203	2-48, 50, 52
		E-26	4-96, 98, 100, 101	2-51, 53, 55
	Door switch wiring harness (RH) and roof wiring harness combination	E-29	4-203	2-49, 51, 53
		E-28	4-96, 100, 101	2-49, 51, 53, 55
	Dual pressure switch <A/C>	A-22	4-44, 49, 156, 160, 164, 170, 176, 182, 188	2-5, 11, 23

	Parts name	Connector No.	Circuit diagram page	Wiring diagram page
E	EGR solenoid valve 1 <Diesel>	A-120	4-41	2-26
	EGR solenoid valve 2 <Diesel>	A-121	4-41	2-26
	EGR solenoid valve <MPI>	A-75	4-51, 58	2-12, 18
	Engine control relay <MPI>	C-18	4-46, 54	2-36, 40
	Engine coolant temperature gauge unit <Petrol>	A-47	4-117, 121	2-6, 12, 18
	Engine coolant temperature sensor (for engine control) <Electronic controlled carburettor and MPI>	A-85	4-44, 45, 50, 57	2-7, 13, 19
	Engine coolant temperature sensor and gauge unit <Diesel>	A-90	4-39, 40, 117, 121	2-25, 31
	Engine coolant temperature switch (for A/C control)	A-84	4-49, 156, 160, 164, 170, 176, 182, 188	2-7, 13, 25
	Engine coolant temperature switch (for dual A/C control) <Petrol> or (for A/C control) <Diesel>	A-83	4-165, 171, 177, 183, 189	2-7, 13, 25
	Engine coolant temperature switch <AT>	A-46	4-64	2-12
	Engine oil level relay	F-20	4-126, 130	2-56, 57
	Engine oil level sensor	A-94	4-126, 130	2-7, 13, 19, 25, 31
	Engine speed detection connector <Petrol>	A-44	4-32, 34, 42, 44, 55	2-6, 12, 18
	Engine-ECU or glow-ECU	C-25	4-34, 38, 41, 46, 48, 50, 51, 53, 54, 56, 57, 58, 60	2-37, 41
	Engine-ECU	C-23	4-32, 34, 43, 45, 46, 47, 49, 50, 51, 52, 54, 55, 57, 58, 59, 160, 176, 188	2-36, 40
C-24		4-34, 43, 44, 46, 48, 49, 51, 52, 54, 56, 58, 59, 156, 160, 170, 176, 188	2-36, 41	
F	Free-wheeling differential engage switch <4WD>	A-11	4-218, 229	2-10, 22
	Front A/C magnetic valve <Dual A/C>	A-45	4-171, 177, 183, 190	2-6, 12, 24
	Front A/C switch or no connection	C-14	4-142, 146, 150, 155, 159, 163, 167, 173, 179, 185	2-36
	Front air thermo sensor <Dual A/C>	C-57	4-171, 177, 183, 190	2-38
	Front blower motor relay	C-74	4-142, 146, 150, 152, 154, 158, 162, 166, 172, 178, 184	2-39, 43
	Front blower motor	C-61	4-142, 146, 150, 152, 154, 158, 162, 166, 172, 178, 184	2-38, 42

	Parts name	Connector No.	Circuit diagram page	Wiring diagram page
F	Front blower resistor	C-60	4-142, 146, 150, 152, 154, 158, 162, 166, 172, 178, 184	2-38, 42
	Front blower switch	C-12	4-142, 146, 150, 152, 154, 158, 162, 166, 172, 178, 184	2-36, 40
	Front condenser fan motor (LH) <A/C>	A-29	4-160, 164, 170, 176, 182, 189	2-5, 11, 23
	Front condenser fan motor (RH) <A/C>	A-30	4-156, 160, 164, 170, 176, 182, 189	2-5, 11, 23
	Front condenser fan motor relay <LHD (A/C)>	A-03X	4-156, 160, 164, 170, 176, 182, 189	2-4, 10, 22
	Front condenser fan motor relay <LHD (Single A/C (4D56))>	A-04X	4-165	2-22
	Front door lamp (driver's side)	H-06	4-101	2-62
	Front door lamp (passenger's side)	H-16	4-101	2-62
	Front door lock actuator (driver's side)	H-05	4-133, 137	2-62, 64
	Front door lock actuator (passenger's side)	H-14	4-134, 138	2-62, 64
	Front door switch (driver's side)	F-16	4-96, 98, 100, 101, 103, 225, 227, 239, 241	2-56, 57
	Front door switch (passenger's side)	F-02	4-96, 98, 100, 101	2-56, 57
	Front door wiring harness (driver's side) and body wiring harness combination	C-39	4-101, 133, 137, 140, 141, 200, 203	2-37, 41
	Front door wiring harness (passenger's side) and body wiring harness combination	C-17	4-101, 132, 134, 136, 138, 140, 200, 203	2-36, 40
	Front impact sensor (LH) <SRS>	A-26	4-235, 237	2-5, 11, 17, 23
	Front impact sensor (RH) <SRS>	A-32	4-235, 237	2-5, 11, 17, 23
	Front room lamp	E-01	4-96, 98, 100	2-48, 50, 52, 54
	Front speaker (driver's side)	D-31	4-203, 204	2-45, 47
	Front speaker (passenger's side)	D-15	4-203, 204	2-44, 46
	Front sunroof motor	E-03	4-224	2-48, 52
	Front sunroof-ECU	E-05	4-224, 225	2-48, 50
	Front turn signal lamp (LH)	A-16	4-105, 107	2-4, 10, 16, 22, 28
	Front turn signal lamp (RH)	A-40	4-105, 107	2-5, 11, 17, 23, 29
Front wheel speed sensor (LH) <ABS>	A-72	4-212, 216, 222	2-6, 12, 18, 24, 30	
Front wheel speed sensor (RH) <ABS>	A-102	4-212, 216, 222	2-7, 13, 19, 25, 31	

	Parts name	Connector No.	Circuit diagram page	Wiring diagram page
F	Front wiring harness and body wiring harness combination <SRS>	C-40	4-235, 237	2-37, 41
	Front wiring harness and body wiring harness combination	C-41	4-16, 17, 18, 22, 23, 24, 68, 71, 74, 132, 136, 224, 226, 230	2-37, 41
		C-42	4-44, 49, 66, 68, 70, 71, 74, 75, 76, 77, 78, 79, 82, 86, 87, 102, 109, 110, 113, 114, 157, 161, 165, 170, 171, 176, 177, 182, 183, 188, 189, 192, 193, 197, 205, 210, 214, 220, 232, 238, 240, 245	2-37, 41
	Front wiring harness and instrument panel wiring harness combination	C-82	4-82, 88, 91, 93	2-39, 43
	Front wiring harness and junction block combination	C-76	4-21, 27, 142, 146, 150, 152, 154, 158, 162, 166, 172, 178, 184, 198, 199, 208	2-39, 43
		C-75	4-21, 27, 36, 39, 40, 44, 52, 59, 62, 67, 75, 76, 78, 83, 87, 91, 93, 96, 98, 100, 101, 102, 103, 104, 105, 106, 107, 113, 114, 116, 118, 120, 122, 126, 130, 131, 142, 146, 150, 152, 154, 158, 162, 166, 172, 178, 184, 197, 198, 199, 202, 204, 205, 206, 207, 208, 210, 213, 214, 217, 220, 223, 232, 234, 236, 239, 241, 242	2-39, 43
	Fuel cut solenoid valve <Diesel>	A-51	4-39, 41	2-24
	Fuel gauge unit	G-04	4-117, 121, 124, 128	2-58, 60
	Fuel injection pump wiring harness and control wiring harness combination <Diesel>	A-62	4-38, 39, 41, 117, 121	2-24, 30
	Fuel line heater relay	C-63X	4-245	2-38
	Fuel line heater	A-128	4-245	2-27
	Fuel pump <Petrol>	G-06	4-43, 47, 55	2-58, 60
	Fuel pump check connector <MPI>	A-43	4-46, 54	2-12, 18
	Fuel pump wiring harness and fuel gauge wiring harness combination <Petrol>	G-05	4-43, 47, 55	2-58, 60
Fuel pump-ECU <Electronic controlled carburettor>	C-22	4-42	2-36	
Fuel wiring harness and body wiring harness combination <ABS>	F-05	4-213, 217, 223	2-56, 57	
Fuel wiring harness and body wiring harness combination <Under seat type rear heater>	F-04	4-147, 171, 174, 177, 180, 183	2-56	



	Parts name	Connector No.	Circuit diagram page	Wiring diagram page
F	Fuel wiring harness and body wiring harness combination	F-06	4-43, 47, 55, 117, 121, 124, 128, 170, 176, 182, 188	2-56, 57
G	Glove box lamp switch	D-16	4-102	2-44
	Glove box lamp	D-14	4-102	2-44
	Glow plug <Diesel>	A-92	4-38, 40	2-25, 31
	Glow plug relay <Diesel>	A-67	4-38, 40	2-12, 30
		A-68	4-38, 40	2-12, 30
		A-69	4-38, 40	2-12, 30
H	Hazard warning switch	D-10	4-104, 106	2-44, 46
	Headlamp (LH)	A-17	4-66, 70, 74	2-4, 10, 16, 22, 28
		A-21	4-66, 70, 74	2-4, 10, 16, 22, 29
	Headlamp (RH)	A-38	4-60, 70, 74	2-5, 11, 17, 23, 29
		A-36	4-66, 70, 74	2-5, 11, 17, 23, 29
	Headlamp leveling switch	D-32	4-91, 93	2-45, 47
	Headlamp leveling unit (LH)	A-129	4-90, 92	2-9, 15, 21, 27, 33
	Headlamp leveling unit (RH)	A-131	4-90, 92	2-9, 15, 21, 27, 33
	Headlamp relay	A-09X	4-18, 24, 66, 70, 74, 82, 86	2-4, 10, 16, 22, 28
	Headlamp washer motor/Headlamp washer fluid level sensor	A-127	4-197	2-9, 15, 27
	Headlamp washer relay	A-126	4-197	2-8, 15, 27
	Heated seat switch (LH)	D-37	4-242	2-45
	Heated seat switch (RH)	D-36	4-242	2-45
	Heated seat wiring harness (LH) and body wiring harness combination	F-22	4-243	2-56
	Heated seat wiring harness (RH) and body wiring harness combination	F-27	4-243	2-56
	High range/low range detection switch <4WD>	B-06	4-229	2-34
	Horn (LH)	A-25	4-113, 114	2-5, 11, 17, 23
		A-24	4-113, 114	2-5, 11, 17, 23, 29

	Parts name	Connector No.	Circuit diagram page	Wiring diagram page
H	Horn (RH)	A-33	4-113, 114	2-5, 11, 17, 23, 29
		A-34	4-113, 114	2-5, 11, 17, 23, 29
	Horn relay <SRS>	A-01X	4-113	2-4, 10, 16, 22, 28
	Horn switch <SRS>	C-52	4-113	2-38, 42
I	Idle speed control servo <MPI>	A-57	4-51, 58	2-12, 18
	Idle-up solenoid valve <ABS (Electronic controlled carburettor and diesel)>	A-49	4-213, 217, 223	2-6, 24, 30
	Idle-up solenoid valve <A/C (Electronic controlled carburettor and diesel)>	A-50	4-44, 156, 164, 170, 182	2-6, 24
	Ignition coil <Petrol>	A-87	4-32, 34, 42, 47, 55	2-7, 13, 19
	Ignition switch	C-43	4-16, 22	2-38, 42
	Ignition timing adjustment connector <MPI>	A-42	4-34, 51, 58	2-12, 18
	Inhibitor switch <A/T>	B-01	4-28, 48, 62, 112	2-34
	Injector No.1 <MPI>	A-60	4-52, 59	2-12, 18
	Injector No.2 <MPI>	A-59	4-52, 59	2-12, 18
	Injector No.3 <MPI>	A-55	4-52, 59	2-12, 18
	Injector No.4 <MPI>	A-54	4-52, 59	2-12, 18
	Injector wiring harness and control wiring harness combination <MPI>	A-61	4-51, 52, 58, 59	2-12, 18
	Instrument panel wiring harness and 4WD indicator wiring harness combination <SRS (passenger's side)>	D-34	4-228, 229	2-45
	Instrument panel wiring harness and junction block combination	C-69	4-36, 39, 40, 48, 56, 62, 63, 64, 83, 84, 87, 88, 91, 93, 96, 98, 100, 104, 105, 106, 107, 116, 117, 118, 119, 121, 122, 124, 125, 126, 128, 129, 130, 131, 144, 151, 153, 155, 159, 163, 167, 173, 179, 197, 198, 199, 202, 204, 205, 206, 207, 210, 212, 214, 216, 220, 222, 228, 229, 232, 235, 237, 242	2-39, 43
	Intake air temperature switch	A-123	4-244	2-26
	Intercooler fan motor relay	A-06X	4-244	2-22
	Intercooler fan motor	A-122	4-244	2-26
	Intercooler fan-ECU	C-87	4-244	2-39

	Parts name	Connector No.	Circuit diagram page	Wiring diagram page
J	J/C (1)	C-05	4-68, 71, 75, 86, 96, 98, 100, 101, 104, 106, 113, 114, 134, 138, 153	2-36, 40
	J/C (2)	C-07	4-52, 59, 126, 130, 132, 133, 136, 137, 140, 143, 144, 146, 148, 151, 155, 157, 159, 161, 163, 165, 167, 171, 173, 177, 179, 183, 185, 187, 190, 208, 213, 217, 218, 223, 230, 233, 234, 236	2-36, 40
	J/C (3)	C-26	4-101, 109, 110, 132, 136, 143, 147, 155, 159, 163, 166, 172, 178, 185, 194, 197, 210, 212, 214, 216, 220, 222, 243, 245	2-37, 41
	J/C (4)	C-06	4-132, 136, 140	2-36, 40
	J/C (5)	C-16	4-32, 43, 45, 51, 53, 58, 60, 117, 119, 121, 123, 126, 130, 157, 161, 165, 171, 177, 183, 189, 211, 212, 215, 216, 218, 221, 222, 229, 244, 245	2-36, 40
	J/C (6)	D-03	4-36, 39, 40, 48, 56, 63, 64, 84, 88, 91, 93, 96, 98, 100, 104, 106, 116, 117, 118, 120, 121, 122, 124, 125, 126, 128, 129, 130, 131, 144, 148, 151, 153, 155, 159, 163, 167, 173, 179, 187, 197, 198, 199, 202, 204, 205, 206, 207, 210, 212, 214, 216, 220, 222, 228, 229, 232, 233, 235, 237, 242	2-44, 46
	J/C (7)	D-05	4-63, 84, 88, 91, 93, 102, 131, 202, 204, 205, 206, 232, 233, 242	2-44, 46
K	Key reminder switch	C-47	4-103	2-38, 42
L	Lever (throttle) position sensor <Diesel>	A-124	4-40	2-26
	Licence plate lamp (LH)	J-09	4-77, 79	2-66
	Licence plate lamp (RH)	J-07	4-77, 79	2-66
	Luxury-type room lamp	E-39	4-97	2-49
M	Magnetic clutch <A/C>	A-23	4-44, 49, 156, 160, 164, 170, 176, 182, 188	2-5, 11, 23
	Multi-meter	D-08	4-131	2-44
N	No connection <4WD (ABS)>	A-65	-	2-12, 24
		A-66	-	2-12, 24
	No connection <SRS>	C-51	-	2-38, 42

	Parts name	Connector No.	Circuit diagram page	Wiring diagram page
N	No connection	G-02	-	2-60
		E-04	4-102	2-48, 50, 52
O	Oil pressure switch	A-95	4-124, 128	2-7, 13, 19, 25, 31
	Oil pressure wiring harness and control wiring harness combination <Diesel>	A-93	4-124, 128	2-25, 31
	Overdrive control relay <A/T>	D-35	4-64	2-45
	Overdrive solenoid valve <A/T>	B-02	4-64	2-34
	Overdrive switch <A/T>	D-29	4-63	2-45
	Overhead cooling unit	E-08	4-169, 175, 181	2-50, 52
	Oxygen sensor <Electronic controlled carburettor>	A-98	4-45	2-7
	Oxygen sensor <MPI>	B-04	4-51, 58	2-34
P	Parking brake switch	F-19	4-125, 129	2-56, 57
	Position lamp (LH)	A-18	4-76, 78	2-4, 10, 16, 22, 28
	Position lamp (RH)	A-37	4-76, 78	2-5, 11, 17, 23, 29
	Power steering oil pressure switch <MPI>	A-99	4-51, 58	2-13, 19
	Power transistor	A-88	4-34, 47, 55	2-13, 19
	Power window limit switch (driver's side)	H-07	4-140	2-62
	Power window limit switch (passenger's side)	H-10	4-140	2-62
	Power window main switch	H-04	4-140	2-62
	Power window motor (driver's side)	H-03	4-141	2-62
	Power window motor (passenger's side)	H-11	4-140	2-62
	Power window relay	C-64X	4-140	2-38
	Power window sub switch	H-12	4-140	2-62
	Purge control solenoid valve <MPI >	A-74	4-51, 58	2-12, 18
	R	Radio and tape player	D-21	4-202, 203, 204
D-22			4-203, 204	2-44, 47
Rear A/C magnetic valve <Built-in type A/C>		G-09	4-190	2-58
Rear A/C magnetic valve <Overhead type A/C>		G-03	4-171, 177, 183	2-58
Rear A/C switch <Built-in type A/C>		F-12	4-187	2-56

	Parts name	Connector No.	Circuit diagram page	Wiring diagram page
R	Rear A/C wiring harness and rear heater wiring harness combination <Built-in type rear heater>	G-12	4-148, 187, 190	2-59
	Rear air thermo sensor <A/C>	G-13	4-190	2-59
	Rear blower control panel illumination lamp <Built-in type rear heater>	F-14	4-147, 186	2-56
	Rear blower motor <Built-in type rear heater>	G-10	4-148, 187	2-59
	Rear blower motor <Under seat type rear heater>	F-07	4-143, 168, 174, 180	2-56
	Rear blower motor relay (HI) <Under seat type rear heater> or rear blower motor relay <Built-in type rear heater>	C-66X	4-143, 147, 168, 174, 180, 186	2-38
	Rear blower motor relay (LO) <Under seat type rear heater>	F-08	4-143, 168, 174, 180	2-56
	Rear blower switch <Built-in type rear heater>	F-13	4-148, 187	2-56
	Rear blower wiring harness and fuel gauge wiring harness combination <Under seat type rear heater>	F-09	4-143, 168, 174, 180	2-56
	Rear blower wiring harness and rear A/C wiring harness combination <Built-in type rear heater>	G-11	4-148, 187	2-59
	Rear combination lamp (LH)	E-23	4-77, 79, 105, 107, 109, 110	2-48, 50, 52, 54
	Rear combination lamp (RH)	E-20	4-77, 79, 105, 107, 109	2-48, 50, 52, 54
	Rear fog lamp relay	A-07X	4-82, 86	2-4, 10, 16, 22, 28
	Rear fog lamp switch	D-33	4-84, 88	2-45, 47
	Rear fog lamp	E-43	4-84, 88	2-49, 51, 53, 55
	Rear heater switch <Built-in type rear heater>	F-11	4-147, 186	2-56
	Rear heater switch	C-11	4-143, 147, 168, 174, 180, 185	2-36, 40
	Rear heater wiring harness and body wiring harness combination <Built-in type rear heater>	F-10	4-147, 148, 186, 189, 190, 233	2-56
	Rear intermittent wiper relay	C-19	4-194	2-36, 40
	Rear room lamp <Vehicles without Crystal lite roof sunshade>	E-09	4-96, 99	2-50, 52, 54
	Rear speaker (LH)	E-27	4-203	2-49, 51, 53
	Rear speaker (RH)	E-12	4-203	2-48, 50, 52
Rear sunroof motor	E-10	4-226	2-50	

	Parts name	Connector No.	Circuit diagram page	Wiring diagram page
R	Rear sunroof switch (for rear seats)	E-11	4-277	2-50
	Rear sunroof-ECU	E-13	4-226, 227	2-50
	Rear washer motor	E-24	4-194	2-48, 50, 52, 54
	Rear wheel speed sensor (LH) <ABS>	G-08	4-213, 217, 223	2-58, 60
	Rear wheel speed sensor (RH) <ABS>	G-07	4-213, 217, 223	2-58, 60
	Rear wiper motor	J-08	4-195	2-66
	Remote controlled mirror (driver's side)	H-01	4-200	2-62
	Remote controlled mirror (passenger's side)	H-09	4-200	2-62
	Remote controlled mirror switch	H-02	4-200	2-62
	Resister <Overhead type A/C>	C-58	4-171, 177, 183	2-38
	Resistor <Dim-dip lamp>	A-137	4-74	2-21, 31
	Revolution pick-up sensor <Diesel>	A-91	4-41, 117	2-25, 31
	Rheostat or jumper connector	D-30	4-63, 84, 91, 104, 116, 131, 144, 151, 155, 159, 163, 167, 173, 179, 198, 202, 206, 229, 232, 242	2-45
	Roof wiring harness and body wiring harness combination <Vehicles with overhead cooling unit>	C-02	4-169, 171, 175, 177, 181, 183	2-36
	Roof wiring harness and body wiring harness combination	C-01	4-77, 79, 84, 88, 96, 98, 100, 101, 109, 110, 134, 138, 169, 175, 181, 194, 195, 203, 208, 224, 226, 230	2-36, 40
	Roof wiring harness and junction block combination	C-78	4-76, 78, 96, 97, 98, 99, 100, 105, 107, 111, 112, 166, 172, 178, 195, 198, 199, 224, 225, 226, 227	2-39, 43
	Roof wiring harness and junction block combination	C-68	4-96, 98, 100, 102	2-38, 43
	Roof wiring harness and rear fog lamp wiring harness combination	E-44	4-84, 88	2-49, 51, 53, 55
S	SRS diagnosis unit	C-36	4-234, 235, 236, 237	2-37, 41
		C-88	4-234	2-39
		C-34	4-235, 237	2-37, 41
	Seat back heater (LH)	F-23	4-243	2-56
	Seat back heater (RH)	F-26	4-243	2-56
	Seat cushion heater (LH)	F-24	4-243	2-56
	Seat cushion heater (RH)	F-25	4-243	2-56

	Parts name	Connector No.	Circuit diagram page	Wiring diagram page
S	Side condenser fan motor <Dual A/C> or no connection	G-01	4-170, 176, 182, 188	2-58, 60
	Side condenser fan motor relay <LHD (Dual A/C)>	A-04X	4-170, 176, 182, 188	2-4, 10, 22
	Side turn signal lamp (LH)	A-14	4-105, 107	2-4, 10, 16, 22, 28
	Side turn signal lamp (RH)	A-10	4-105, 107	2-4, 10, 16, 22, 28
	Slid door lock actuator (driver's side)	H-18	4-133, 137	2-62, 64
	Slide door lock actuator (passenger's side)	H-15	4-133, 137	2-62, 64
	Slide door switch (LH)	E-30	4-96, 98, 100, 101	2-51, 53, 55
	Slide door switch (RH)	E-06	4-96, 98, 100, 101	2-48, 50, 52, 54
	Solenoid valve assembly <Electronic controlled carburettor>	A-51	4-43, 44	2-6, 24, 30
	Starter relay <Petrol (A/T) and diesel>	A-70	4-28, 30, 48	2-24, 30
	Starter	A-12	4-28, 29, 30	2-4, 10, 16, 22, 28
		A-13	4-28, 29, 30	2-4, 10, 16, 22, 28
	Steering wheel sensor <ABS>	C-50	4-212, 216, 222	2-38, 42
	Step lamp (LH)	F-21	4-101	2-56
	Step lamp (RH)	F-01	4-101	2-56
	Stop lamp switch	C-04	4-109, 110, 210, 214, 220	2-36, 40
	Sunroof and sunshade switch (for front seats)	E-02	4-225, 227, 230	2-48, 50
	Sunshade motor (front:LH)	E-14	4-230	2-48
	Sunshade motor (front:RH)	E-07	4-230	2-48
	Sunshade motor (rear:LH)	E-42	4-231	2-49
	Sunshade motor (rear:RH)	E-31	4-231	2-49
	Sunshade relay (front:LH)	E-33	4-230	2-49
Sunshade relay (front:RH)	E-32	4-230	2-49	
Sunshade relay (rear:LH)	E-35	4-231	2-49	
Sunshade relay (rear:RH)	E-34	4-231	2-49	
Sunshade switch (for rear seats)	E-38	4-230	2-49	
T	Tail lamp relay	A-08X	4-18, 24, 67, 71, 75, 76, 78, 83, 87, 102, 232, 238, 240	2-4, 10, 16, 22, 28

	Parts name	Connector No.	Circuit diagram page	Wiring diagram page
T	Tailgate lamp (LH)	J-11	4-111, 112	2-66
	Tailgate lamp (RH)	J-05	4-111, 112	2-66
	Tailgate lock actuator	J-06	4-134, 138	2-66
	Tailgate switch	J-10	4-96, 98, 100, 101	2-66
	Tailgate wiring harness and roof wiring harness combination	E-16	4-134, 138	2-48, 50, 52, 54
		E-17	4-195	2-48, 50, 52, 54
		E-18	4-77, 79, 110, 111, 112	2-48, 50, 52, 54
		E-15	4-96, 98, 100, 101, 198, 199	2-48, 50, 52, 54
	Thermo sensor (inside) <Vehicles with multi-meter>	C-38	4-131	2-37
	Thermo sensor (outside) <Vehicles with multi-meter>	A-35	4-131	2-11, 23
	Thermostat <Single A/C>	C-54	4-44, 49, 157, 161, 165	2-38
	Thermostat wiring harness and body wiring harness combination <Single A/C>	C-55	4-44, 49, 157, 161, 165	2-38
	Throttle position sensor <Electronic controlled carburettor and MPI>	A-58	4-45, 50, 57	2-6, 12, 18
Turn-signal and hazard warning flasher unit	C-65X	4-104, 106	2-38, 42	
V	Vacuum switch <Diesel>	A-64	4-125, 129	2-24, 30
	Vacuum switch <Electronic controlled carburettor>	A-53	4-45	2-6
	Vehicle speed sensor	B-05	4-53, 60, 119, 123	2-34
W	Water level switch <Diesel>	A-71	4-125, 129	2-24, 30
	Windshield washer motor	A-15	4-192, 193	2-4, 10, 16, 22, 28
	Windshield wiper motor	A-48	4-192, 193	2-6, 12, 18, 24, 30