

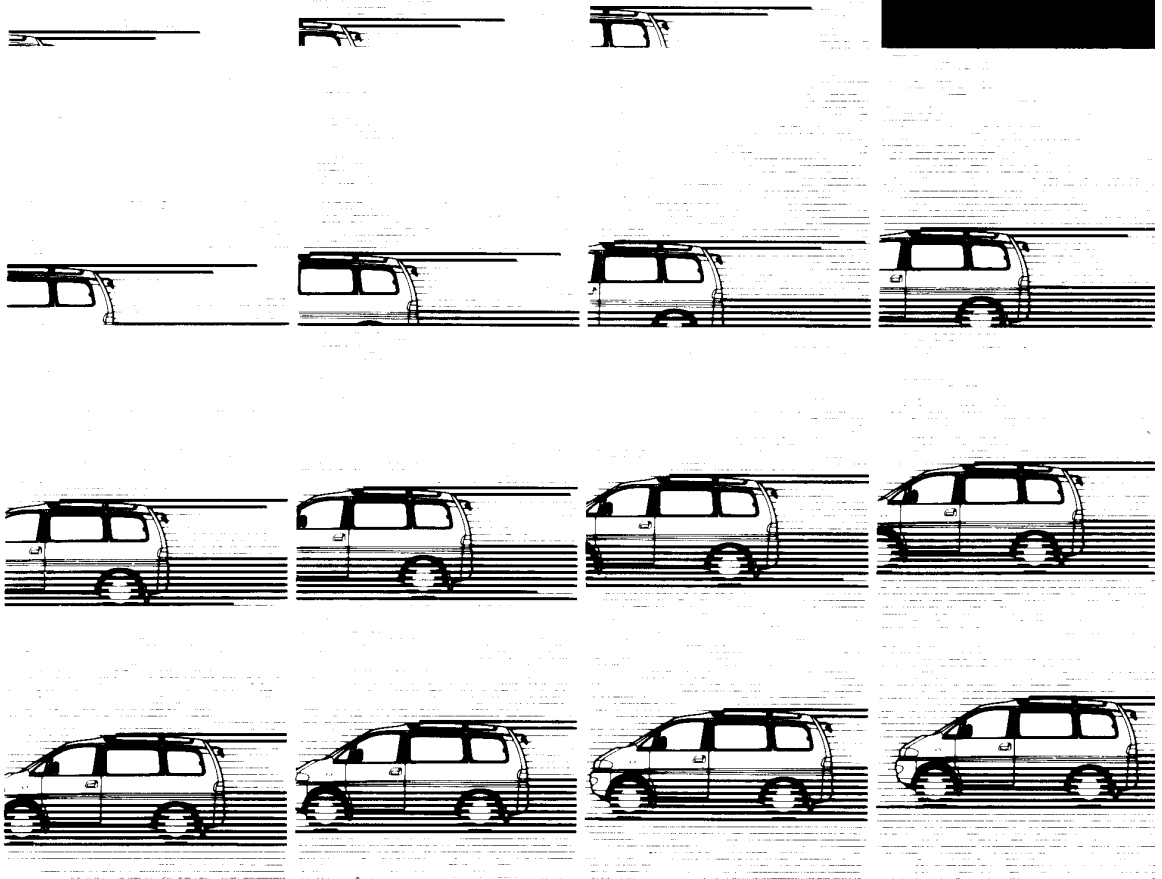
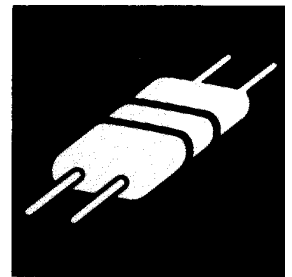


Workshop Manual

electrical wiring

SUPPLEMENT

MITSUBISHI L400 '99



Pub. No. PHWE9407-D

MITSUBISHI L400

ELECTRICAL WIRING SUPPLEMENT

FOREWORD

This publication is a supplement to the Electrical Wiring Manual Pub. No. PHWE9407 and contains only additions and changes to the original issue. It is recommended that all service mechanics engaged in the servicing of the vehicle refer to the following publications as well as this manual.

TECHNICAL INFORMATION MANUAL
PYWE9410

WORKSHOP MANUAL
CHASSIS GROUP
PWWE9410
PWWE9410-A (Supplement)
PWWE9410-B (Supplement)
PWWE9410-C (Supplement)

ELECTRICAL WIRING
PHWE9407
PHWE9407-A (Supplement)
PHWE9407-B (Supplement)
PHWE9407-C (Supplement)

BODY REPAIR MANUAL
PBWE9404

ENGINE GROUP
PWEE□□□□
(Looseleaf edition)

PARTS CATALOGUE
B603A808A□

All information, illustrations and product descriptions contained in this manual are current as of time of publication. We, however, reserve the right to make changes at any time without prior notice or obligation.



GROUP INDEX

OUTLINE OF CHANGES

WIRING HARNESS
CONFIGURATION DIAGRAMS

SINGLE PART INSTALLATION
POSITION

CIRCUIT DIAGRAM

2

3

4

HOW TO USE THIS MANUAL

CONTENTS

The preceding page contains GROUP INDEX that lists the group title and group number.

PAGE NUMBERS

All page numbers consist of two sets of digits separated by a dash. The digits preceding the dash identify the number of the group. The digits following the dash represent the consecutive page number within the group. The page number can be found on the top left or right of each page.

OPERATION AND TROUBLESHOOTING HINTS

In the GROUP 4 circuit diagrams, the operation and troubleshooting hints are given on the previous page or following page for each circuit where necessary.

OUTLINE OF CHANGES

CONTENTS

MODELS	3	SINGLE PART INSTALLATION POSITION ...	7
HOW TO READ CIRCUIT DIAGRAMS	4	CIRCUIT DIAGRAMS	7
WIRING HARNESS CONFIGURATION DIAGRAMS	6	TABLE OF CIRCUIT DIAGRAMS	9

MODELS

<Standard wheelbase models>

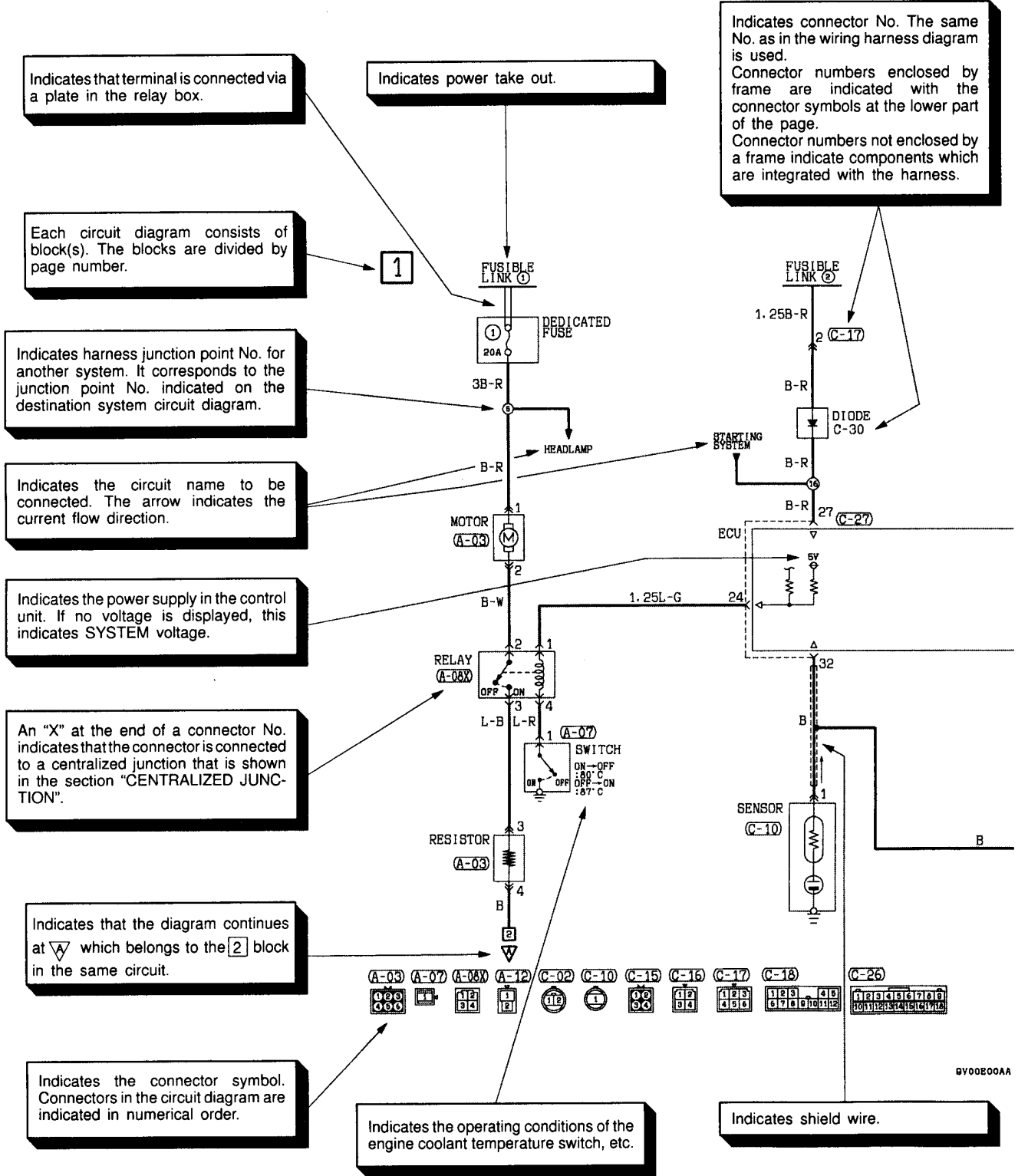
Model code		Engine model	Transmission model	Fuel supply system
PA3V	GLZDEL6	4G63 (1,997 ml)	R5M21 (2WD-5M/T)	MPI
PA5V	GLZDTL6	4D56 (2,477 ml) with turbocharger	R5M21 (2WD-5M/T)	Diesel fuel injection
	GLZDTR6			
PD4V	NLNDEL6	4G64 (2,350 ml)	V5M21 (4WD-5M/T)	MPI
PD5V	GLNDTL6	4D56 (2,477 ml) with turbocharger	V5M21 (4WD-5M/T)	Diesel fuel injection
PA3W	NLNUEL6	4G63 (1,997 ml)	R5M21 (2WD-5M/T)	MPI
PA4W	HSEHER6	4G64 (2,350 ml)	R4AW2 (2WD-4A/T)	MPI
PA5W	NLNUFL6	4D56 (2,477 ml) with turbocharger	R5M31 (2WD-5M/T)	Diesel fuel injection
PD4W	NLNUEL6	4G64 (2,350 ml)	V5M21 (4WD-5M/T)	MPI
PD5W	NLNUFL6	4D56 (2,477 ml) with turbocharger	V5M31 (4WD-5M/T)	Diesel fuel injection

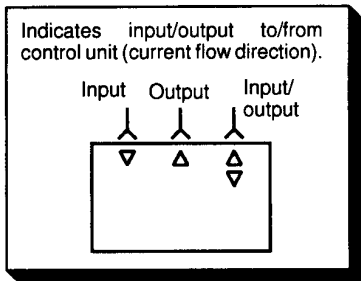
<Long wheelbase models>

Model code		Engine model	Transmission model	Fuel supply system
PB3V	JLZDEL6	4G63 (1,997 ml)	R5M21 (2WD-5M/T)	MPI
PB5V	HLZDTL6	4D56 (2,477 ml) with turbocharger	R5M21 (2WD-5M/T)	Diesel fuel injection
	JLZDTL6			
	JLZDTR6			

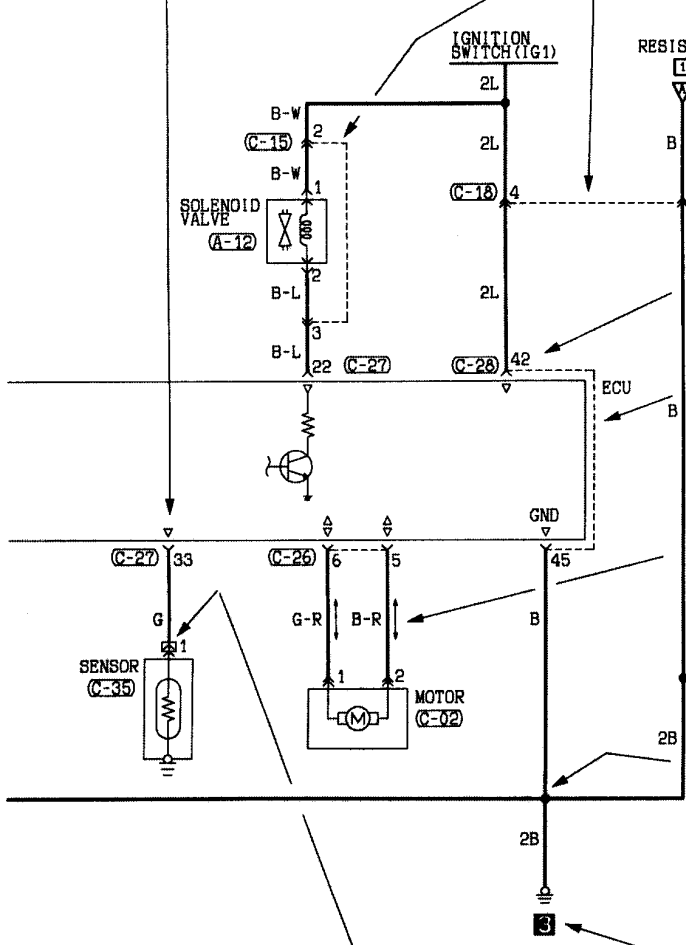
HOW TO READ CIRCUIT DIAGRAMS

The circuit of each system from fuse (or fusible link) to earth is shown. The power supply is shown at the top and the earth at the bottom to facilitate understanding of the current flow.





A broken line indicates that these connectors are the same intermediate connectors.



Indicates that the diagram comes from which belongs to the block in the same circuit.

Indicates terminal No.

In case two or more connectors are connected to the same device, markings indicating the same connectors are connected by a broken line.

Indicates current flow downward or upward as controlled by the control unit.

Indicates harness junction where wire diameter or colour changes.

Indicates intersections at which the lead wire are not connected.

Indicates intersections at which the lead wires are connected.

Indicates vehicle body earth point. (Same No. as that of earth point in wiring harness diagram and installation locations of individual parts.)



Indicates that the terminal is a spare one if the device (sensors in this case) is not provided.

GV00E00AB

WIRING HARNESS CONFIGURATION DIAGRAMS

Wiring harness configuration diagrams				Description of changes
Connector symbol	Name		Reference page	
A	ENGINE COMPARTMENT	MPI <R.H. drive vehicles>	2-2	<ul style="list-style-type: none"> The engine coolant temperature switch (for A/C control) connector (A-84) has been abolished. The control wiring harness and front wiring harness combination connector (A-141) has been added.
		Diesel <L.H. drive vehicles>	2-8	
		Diesel <R.H. drive vehicles>	2-14	
C	DASH PANEL	L.H. drive vehicles	2-20	<ul style="list-style-type: none"> The engine-ECU and glow-ECU have been changed. Corresponding to this, the engine-ECU connector (C-23) has been changed to Engine-ECU connector <Petrol> or glow-ECU <Diesel> connector (C-23), and the engine-ECU <Petrol> connector or glow-ECU <Diesel> connector (C-25) has been changed to engine-ECU connector (C-25). The thermo sensor (inside) <Vehicles with multi-meter> connector (C-38) has been abolished. The resistor <Overhead-type A/C> connector (C-58) has been abolished. The control wiring harness and body wiring harness combination connector (C-95) has been added. The A/C-ECU <Overhead-type A/C> connector (C-96) has been added. The outside air temperature sensor <Dual A/C (MPI)> connector (C-97) has been added.
		R.H. drive vehicles	2-24	
G	UNDER FLOOR	L.H. drive vehicles	2-28	<ul style="list-style-type: none"> Terminal number of the fuel gauge unit connector (G-04) has been changed from 6 to 4. The oxygen sensor (rear) <Vehicles for Germany> connector (G-14) has been abolished.

SINGLE PART INSTALLATION POSITION

Location of changes	Reference page	Description of changes
SENSOR	3-2	The outside air temperature sensor <Dual A/C (MPI)> connector has been added.

CIRCUIT DIAGRAMS

Circuit diagram			Description of changes
Maintitle	Subtitle	Reference page	
CENTRALIZED JUNCTION	-	4-2	Following circuits have been changed to correspond to the changes in MUT-II power supply circuit. <ul style="list-style-type: none"> ● Circuit for dedicated fuse No.5 ● Load circuit for multi-purpose fuse No.10.
POWER DISTRIBUTION SYSTEM	L.H. drive vehicles	4-6	The MUT-II power supply circuit has been changed and circuits which are connected from the dedicated fuse No.5 and multi-purpose fuse No.10 have been changed.
	R.H. drive vehicles	4-12	
STARTING SYSTEM	Petrol-powered vehicles	4-18	The circuit for L.H. drive vehicles and for R.H. drive vehicles have been abolished. A circuit for petrol-powered vehicles has been added.
	Diesel-powered vehicles	4-19	The circuit for R.H. drive vehicles have been abolished. A circuit for diesel-powered vehicles has been added.
GLOW SYSTEM	-	4-20	The glow-ECU has been changed and its circuit has been added.
MPI SYSTEM	L.H. drive vehicles	4-22	The circuit has been changed to correspond to changes in the engine-ECU and MUT-II power supply.
	R.H. drive vehicles	4-30	
HEADLAMP	L.H. drive vehicles with daytime running lamp	4-38	The wiring harness connection of the high beam indicator lamp has been changed, therefore the headlamp circuit has been changed.
	L.H. drive vehicles without daytime running lamp	4-42	
	R.H. drive vehicles	4-44	
IGNITION KEY CYLINDER ILLUMINATION LAMP	With ETACS	4-46	The circuit has been changed to correspond to change in the MUT-II power supply circuit.
	Without ETACS	4-47	
METER AND GAUGE	L.H. drive vehicles	4-48	The fuel gauge unit has been changed.
FUEL WARNING LAMP	L.H. drive vehicles	4-52	
MULTI-METER	-	4-53	The circuit has been changed to correspond to change in the multi-meter.

Circuit diagram			Description of changes
Maintitle	Subtitle	Reference page	
CENTRAL DOOR LOCKING SYSTEM	-	4-54	The circuit has been changed to correspond to change in the MUT-II power supply circuit.
DUAL AIR CONDITIONER	Overhead type <MPI>	4-58	The circuit has been changed to correspond to change in the A/C-ECU.
	Overhead type <Diesel>	4-66	
	Built-in type	4-72	
ANTI-SKID BRAKING SYSTEM (ABS)	L.H. drive vehicles <2WD>	4-80	The circuit has been changed to correspond to change in the ABS-ECU and MUT-II power supply circuits.
	L.H. drive vehicles <4WD>	4-84	
	R.H. drive vehicles	4-90	
SUPPLEMENTAL RESTRAINT SYSTEM (SRS)	-	4-94	The circuit has been changed to correspond to change in the MUT-II power supply circuit.
LIGHTING MONITOR BUZZER	L.H. drive vehicles	4-96	
	R.H. drive vehicles	4-98	
IMMOBILIZER SYSTEM	Petrol-powered vehicles	4-100	
	Diesel-powered vehicles	4-102	

TABLE OF CIRCUIT DIAGRAMS

This table of circuit diagrams indicates those circuits in which changes and/or additions, etc. have been made; the circuits are here listed in the sequence in which they are presented in the wiring diagrams. Please use this table for reference when following maintenance or repair procedures.

NOTE

- (1) A (Added) : This circuit has been newly added in this manual.
- (2) R (Revised) : This circuit has been changed, and is included in this manual.
- (3) D (Deleted) : This circuit has been deleted in this manual.
- (4) I (Included) : This circuit is included in this manual.
- (5) N (Not included) : This circuit is not included in this manual.
- (6) P (Previous manual) : This circuit is not included in this manual, because it has not been changed. Refer to this previous manuals.

Main circuit	Circuit classifications	Pub. No. PHWE9407 (Basic)	Pub. No. PHWE9407-A (Supplement)	Pub. No. PHWE9407-B (Supplement)	Pub. No. PHWE9407-C (Supplement)	Pub. No. PHWE9407-D (Supplement)
JUNCTION BLOCK (J/B)	–	I	P	D	N	N
	With ETACS	N	N	A	P	P
	Without ETACS	N	N	A	P	P
JOINT CONNECTOR (J/C)	–	I	P	P	R	P
CENTRALIZED JUNCTION	–	I	P	P	P	R
POWER DISTRIBUTION SYSTEM	L.H. drive vehicles	I	P	R	P	R
	R.H. drive vehicles	I	P	R	P	R
STARTING SYSTEM	L.H. drive vehicles <Petrol-powered vehicles>	I	P	R	P	D
	R.H. drive vehicles <Petrol-powered vehicles>	I	P	R	P	D
	Petrol-powered vehicles	N	N	N	N	A
	Diesel-powered vehicles	I	P	R	P	R
IGNITION SYSTEM	Electronically-controlled carburettor	I	D	N	N	N
	MPI	I	P	R	R	P
CHARGING SYSTEM	–	I	P	R	P	P
GLOW SYSTEM	Vehicles with EGR system	I	P	D	N	N
	Vehicles without EGR system	I	P	R	P	D
	–	N	N	N	N	A
ELECTRONICALLY-CONTROLLED CARBURETTOR	–	I	D	N	N	N
MPI SYSTEM	L.H. drive vehicles	I	P	R	R	R
	R.H. drive vehicles	I	P	R	R	R
OVERDRIVE CONTROL SYSTEM	–	I	P	R	R	P

OUTLINE OF CHANGES – Table of Circuit Diagrams

Main circuit	Circuit classifications	Pub. No. PHWE9407 (Basic)	Pub. No. PHWE9407-A (Supplement)	Pub. No. PHWE9407-B (Supplement)	Pub. No. PHWE9407-C (Supplement)	Pub. No. PHWE9407-D (Supplement)
HEADLAMP	L.H. drive vehicles with daytime running lamp	I	P	R	R	R
	L.H. drive vehicles without daytime running lamp	I	P	R	R	R
	R.H. drive vehicles	I	P	R	R	R
TAIL LAMP, POSITION LAMP AND LICENCE PLATE LAMP	L.H. drive vehicles	I	P	R	R	P
	R.H. drive vehicles	I	P	R	R	P
REAR FOG LAMP	L.H. drive vehicles	I	P	R	R	P
	R.H. drive vehicles	I	P	R	R	P
HEADLAMP LEVELING SYSTEM	L.H. drive vehicles	I	P	P	P	P
	R.H. drive vehicles	I	P	P	P	P
ROOM LAMP	L.H. drive vehicles with sunroof	I	P	R	P	P
	L.H. drive vehicles without sunroof	I	P	R	P	P
	L.H. drive vehicles with crystal lite roof	N	N	A	P	P
	R.H. drive vehicles	I	P	P	P	P
DOOR LAMP AND STEP LAMP	–	I	P	R	P	P
GLOVE BOX LAMP	–	I	P	R	P	P
IGNITION KEY CYLINDER ILLUMINATION LAMP	–	I	P	D	N	N
	With ETACS	N	N	A	P	R
	Without ETACS	N	N	A	P	R
TURN-SIGNAL LAMP AND HAZARD WARNING LAMP	L.H. drive vehicles	I	P	P	P	P
	R.H. drive vehicles	I	P	P	P	P
STOP LAMP	L.H. drive vehicles	I	P	R	D	N
	R.H. drive vehicles	I	P	R	D	N
	–	N	N	N	A	P
BACK-UP LAMP	M/T	I	P	R	P	P
	A/T	I	P	R	P	P
HORN	Vehicles with SRS	I	P	R	P	P
	Vehicles without SRS	I	P	R	P	P
METER AND GAUGE	L.H. drive vehicles	I	P	R	R	R
	R.H. drive vehicles	I	P	R	R	P
FUEL WARNING LAMP	L.H. drive vehicles	I	P	R	P	R
	R.H. drive vehicles	I	P	R	P	P
OIL-PRESSURE WARNING LAMP	L.H. drive vehicles	I	P	R	P	P
	R.H. drive vehicles	I	P	R	P	P

Main circuit	Circuit classifications	Pub. No. PHWE9407 (Basic)	Pub. No. PHWE9407-A (Supplement)	Pub. No. PHWE9407-B (Supplement)	Pub. No. PHWE9407-C (Supplement)	Pub. No. PHWE9407-D (Supplement)
FUEL FILTER WARNING LAMP	L.H. drive vehicles	I	P	R	P	P
	R.H. drive vehicles	I	P	R	P	P
BRAKE WARNING LAMP	L.H. drive vehicles	I	P	R	P	P
	R.H. drive vehicles	I	P	R	P	P
ENGINE OIL LEVEL WARNING LAMP	L.H. drive vehicles	I	P	R	R	P
	R.H. drive vehicles	I	P	R	R	P
MULTI-METER	–	I	P	R	P	R
CENTRAL DOOR LOCKING SYSTEM	L.H. drive vehicles	I	P	D	N	N
	R.H. drive vehicles	I	P	D	N	N
	–	N	N	A	P	R
POWER WINDOWS	–	I	P	R	P	P
HEATER	L.H. drive vehicles with under seat type rear heater	I	P	R	P	P
	L.H. drive vehicles with built-in type rear heater	I	P	R	P	P
	L.H. drive vehicles without rear heater	I	P	R	P	P
	R.H. drive vehicles	I	P	R	P	P
SINGLE AIR CONDITIONER	Electronically-controlled carburetor	I	D	N	N	N
	MPI	I	P	R	R	P
	Diesel	I	P	R	R	P
DUAL AIR CONDITIONER	Overhead type <Electronically- controlled carburetor>	I	D	N	N	N
	Overhead type <MPI>	I	P	R	R	R
	Overhead type <Diesel>	I	P	R	R	R
	Built-in type	I	P	R	R	R
WINDSHIELD WIPER AND WASHER	L.H. drive vehicles	I	P	R	R	P
	R.H. drive vehicles	I	P	R	R	P
REAR WIPER AND WASHER	–	I	P	R	P	P
HEADLAMP WASHER	–	I	P	P	P	P
DEFFOGER	L.H. drive vehicles	I	P	P	P	P
	R.H. drive vehicles	I	P	P	P	P
DEFFOGER AND DOOR MIRROR HEATER	L.H. drive vehicles	N	A	R	P	P
REMOTE CONTROLLED MIRROR	–	N	A	P	P	P

Main circuit	Circuit classifications	Pub. No. PHWE9407 (Basic)	Pub. No. PHWE9407-A (Supplement)	Pub. No. PHWE9407-B (Supplement)	Pub. No. PHWE9407-C (Supplement)	Pub. No. PHWE9407-D (Supplement)
RADIO AND TAPE PLAYER	L.H. drive vehicles	I	P	R	P	P
	R.H. drive vehicles	I	P	R	P	P
CLOCK	–	I	P	P	P	P
CIGARETTE LIGHTER	L.H. drive vehicles	I	P	P	P	P
	R.H. drive vehicles	I	P	P	P	P
ACCESSORY SOCKET	–	I	P	P	P	P
ANTI-SKID BRAKING SYSTEM (ABS)	L.H. drive vehicles <2WD>	I	P	R	R	R
	L.H. drive vehicles <4WD>	I	P	R	R	R
	R.H. drive vehicles	I	P	R	R	R
FRONT SUNROOF	–	I	P	R	P	P
REAR SUNROOF	–	I	P	R	P	P
PART TIME 4WD SYSTEM	–	I	P	R	R	P
CRYSTAL LITE ROOF SUNSHADE	–	I	P	P	P	P
RHEOSTAT	–	I	R	R	P	P
SUPPLEMENTAL RESTRAINT SYSTEM (SRS)	L.H. drive vehicles	I	P	D	N	N
	R.H. drive vehicles	I	P	D	N	N
	–	N	N	A	R	R
LIGHTING MONITOR BUZZER	L.H. drive vehicles	I	P	R	R	R
	R.H. drive vehicles	I	P	R	R	R
IMMOBILIZER SYSTEM	Petrol-powered vehicles	N	A	R	R	R
	Diesel-powered vehicles	N	A	R	R	R
HEATED SEAT	–	I	P	P	R	P
INTERCOOLER FAN	–	I	P	P	R	P
FUEL LINE HEATER	–	I	P	P	R	P

WIRING HARNESS CONFIGURATION DIAGRAMS

CONTENTS

ENGINE COMPARTMENT

MPI <R.H. drive vehicles>	2-2
Diesel <L.H. drive vehicles>	2-8
Diesel <R.H. drive vehicles>	2-14

DASH PANEL

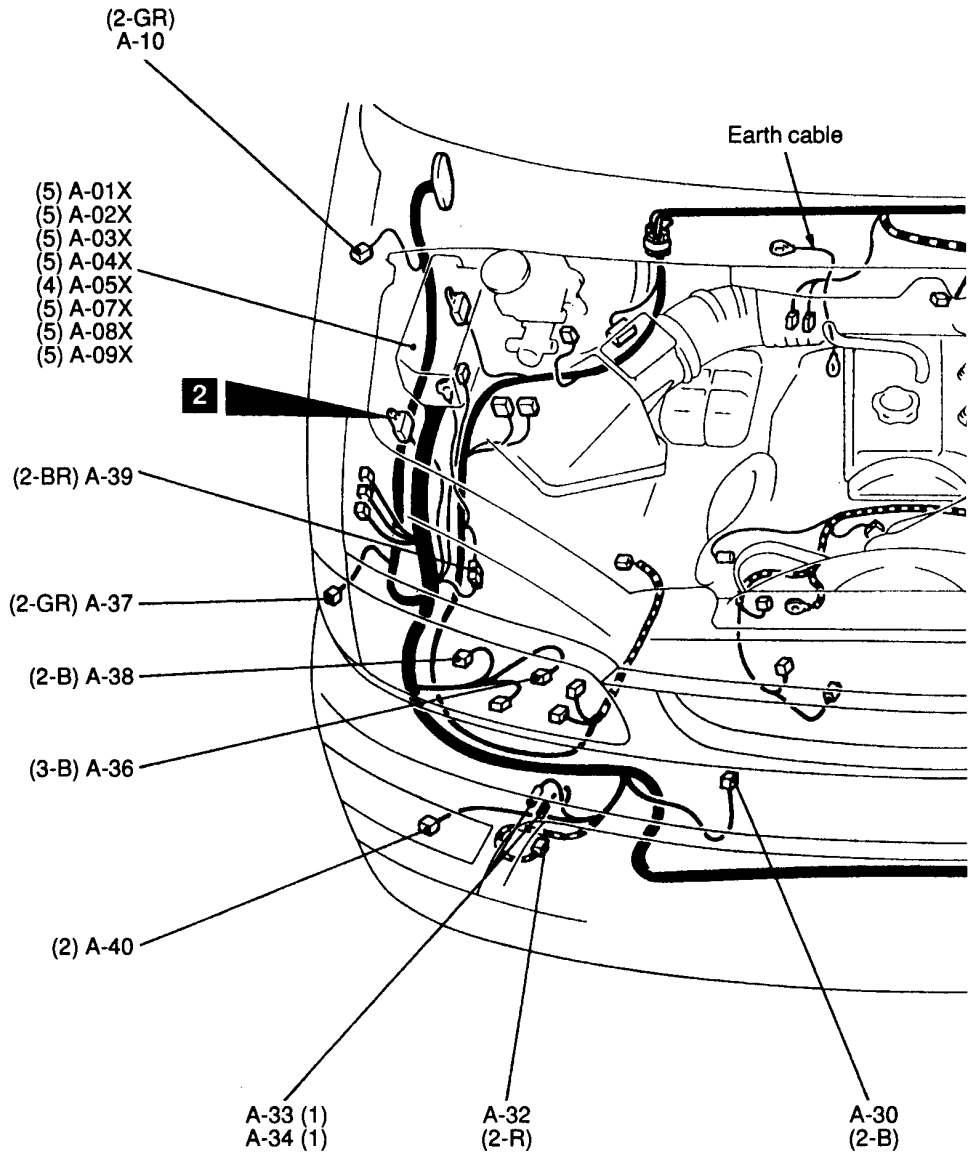
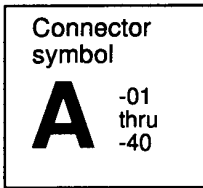
L.H. drive vehicles	2-20
R.H. drive vehicles	2-24

UNDER FLOOR

L.H. drive vehicles	2-28
---------------------------	------

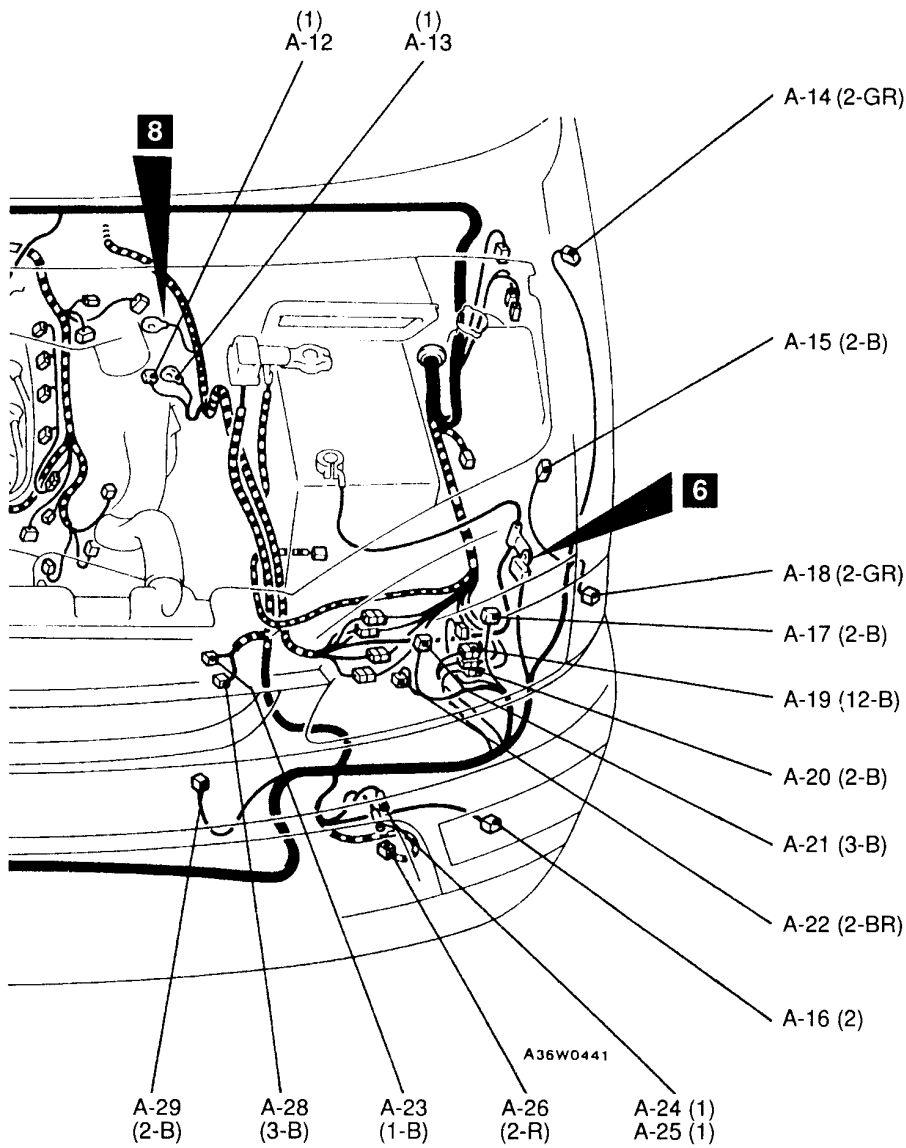
ENGINE COMPARTMENT

MPI <R.H. drive vehicles>



- A-01X Horn relay <SRS>
- A-02X A/C compressor relay
- A-03X Front condenser fan motor relay
- A-04X Side condenser fan motor relay <Dual A/C>
- A-05X Alternator relay
- A-07X Rear fog lamp relay
- A-08X Tail lamp relay
- A-09X Headlamp relay
- A-10 Side turn signal lamp (RH)
- A-12 Starter
- A-13 Starter

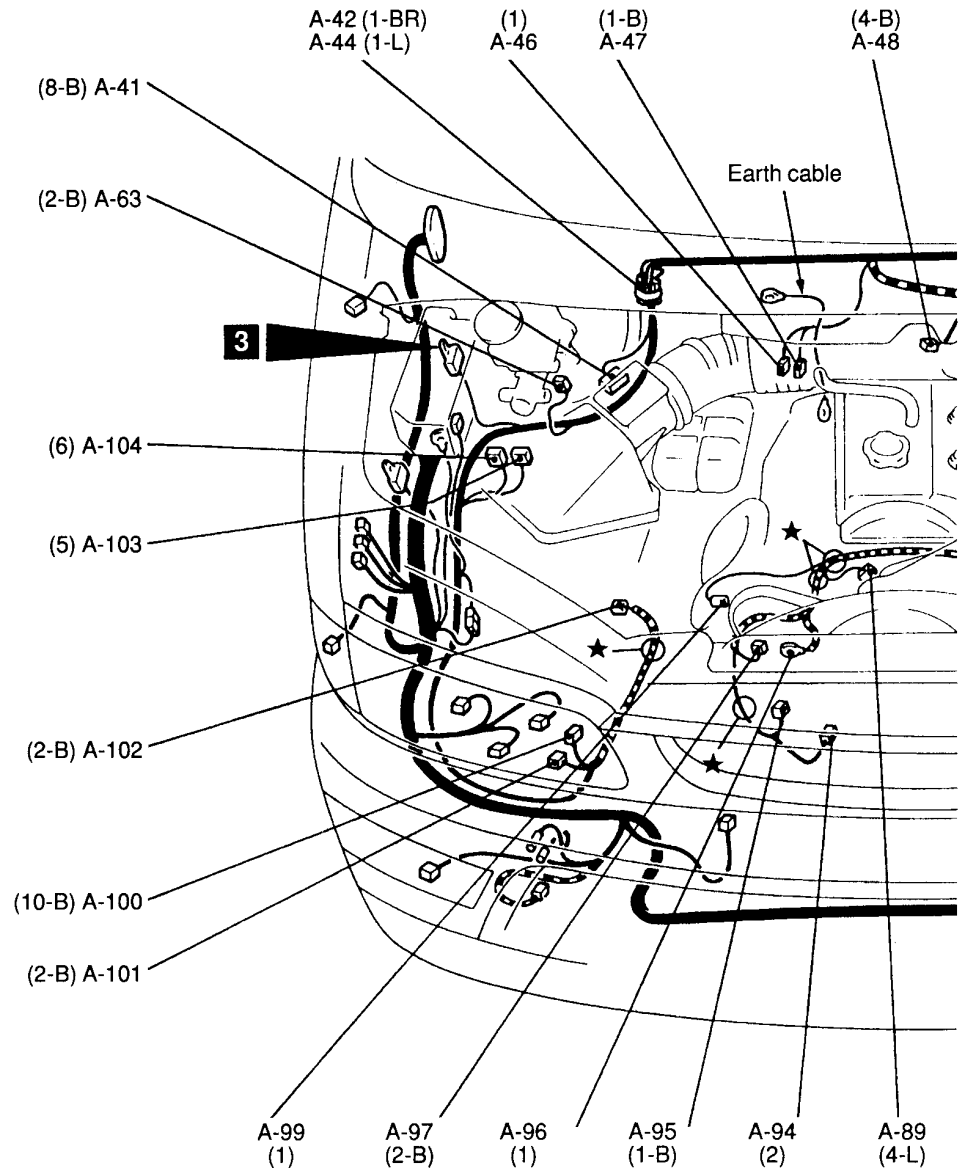
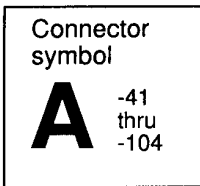
- A-14 Side turn signal lamp (LH)
- A-15 Windshield washer motor
- A-16 Front turn signal lamp (LH)
- A-17 Headlamp (LO: LH)
- A-18 Position lamp (LH)
- A-19 Control wiring harness and front wiring harness combination
- A-20 Control wiring harness and front wiring harness combination
- A-21 Headlamp (HI: LH)



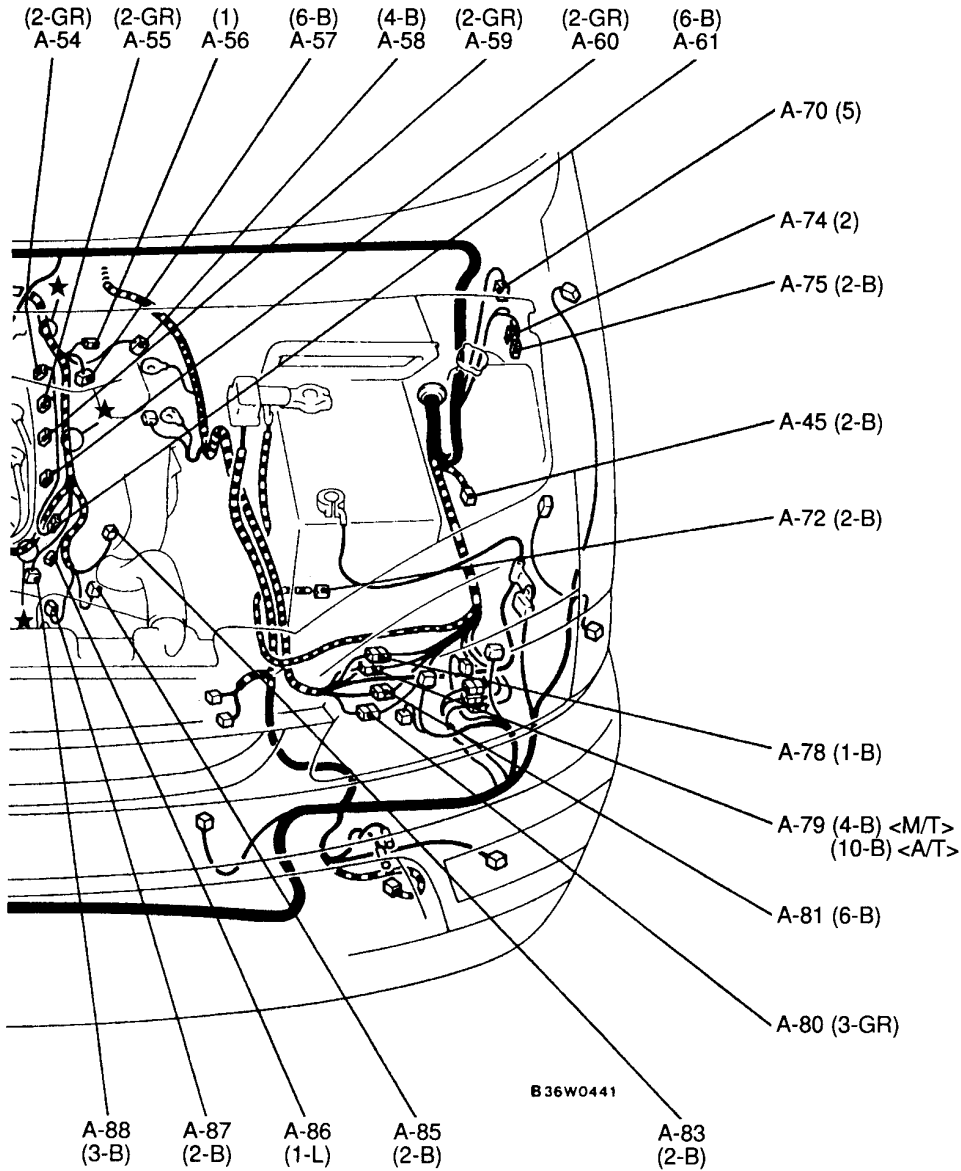
Connector colour code
 B : Black
 Y : Yellow
 L : Blue
 G : Green
 R : Red
 BR : Brown
 V : Violet
 O : Orange
 GR : Gray

- | | | | |
|------|---|------|---|
| A-22 | Dual pressure switch <A/C> | A-32 | Front impact sensor (RH) <SRS> |
| A-23 | Magnetic clutch <A/C> | A-33 | Horn (RH) |
| A-24 | Horn (LH) | A-34 | Horn (RH) |
| A-25 | Horn (LH) | A-36 | Headlamp (HI: RH) |
| A-26 | Front impact sensor (LH) <SRS> | A-37 | Position lamp (RH) |
| A-28 | A/C refrigerant temperature switch and A/C compressor magnetic valve <Dual A/C> | A-38 | Headlamp (LO: RH) |
| A-29 | Front condenser fan motor (LH) <A/C> | A-39 | Control wiring harness and front wiring harness combination |
| A-30 | Front condenser fan motor (RH) <A/C> | A-40 | Front turn signal lamp (RH) |

MPI <R.H. drive vehicles>



- | | | | |
|------|---|------|--|
| A-41 | Air flow sensor | A-58 | Throttle position sensor |
| A-42 | Ignition timing adjustment connector | A-59 | Injector No. 2 |
| A-44 | Engine speed detection connector | A-60 | Injector No. 1 |
| A-45 | Front A/C magnetic valve <Dual A/C> | A-61 | Injector wiring harness and control wiring harness combination |
| A-46 | Engine coolant temperature switch <A/T> | A-63 | Brake fluid level switch |
| A-47 | Engine coolant temperature gauge unit | A-70 | Starter relay <A/T> |
| A-48 | Windshield wiper motor | A-72 | Front wheel speed sensor (LH) <ABS> |
| A-54 | Injector No. 4 | A-74 | Purge control solenoid valve |
| A-55 | Injector No. 3 | A-75 | EGR solenoid valve |
| A-56 | Capacitor | | |
| A-57 | Idle speed control servo | | |

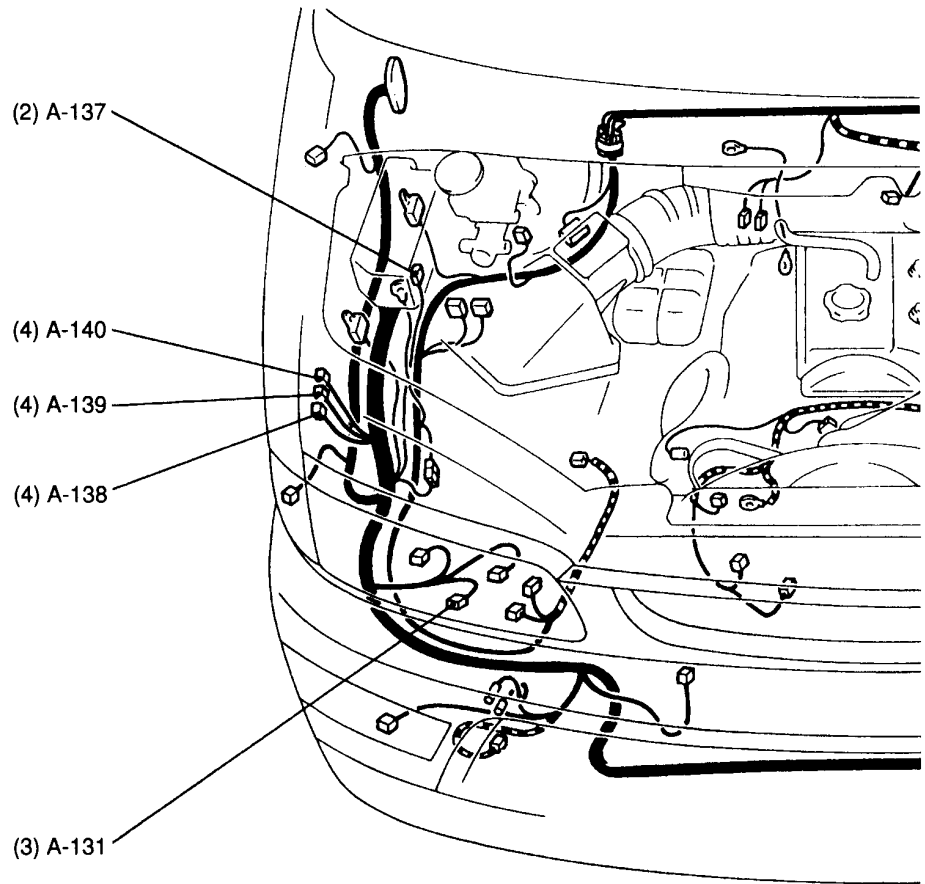


Connector colour code
 B : Black
 Y : Yellow
 L : Blue
 G : Green
 R : Red
 BR : Brown
 V : Violet
 O : Orange
 GR : Gray

- | | | | |
|------|---|-------|-------------------------------------|
| A-78 | Control wiring harness and battery cable assembly combination | A-87 | Ignition coil |
| A-79 | Control wiring harness and battery cable assembly combination | A-88 | Power transistor |
| A-80 | Control wiring harness and battery cable assembly combination <A/T> | A-89 | Distributor assembly |
| A-81 | Control wiring harness and battery cable assembly combination | A-94 | Engine oil level sensor |
| A-83 | Engine coolant temperature switch (for dual A/C control) | A-95 | Oil pressure switch |
| A-85 | Engine coolant temperature switch (for engine control) | A-96 | Alternator |
| A-86 | Capacitor | A-97 | Alternator |
| | | A-99 | Power steering oil pressure switch |
| | | A-100 | ABS hydraulic unit |
| | | A-101 | ABS hydraulic unit |
| | | A-102 | Front wheel speed sensor (RH) <ABS> |
| | | A-103 | ABS motor relay |
| | | A-104 | ABS valve relay |

MPI <R.H. drive vehicles>

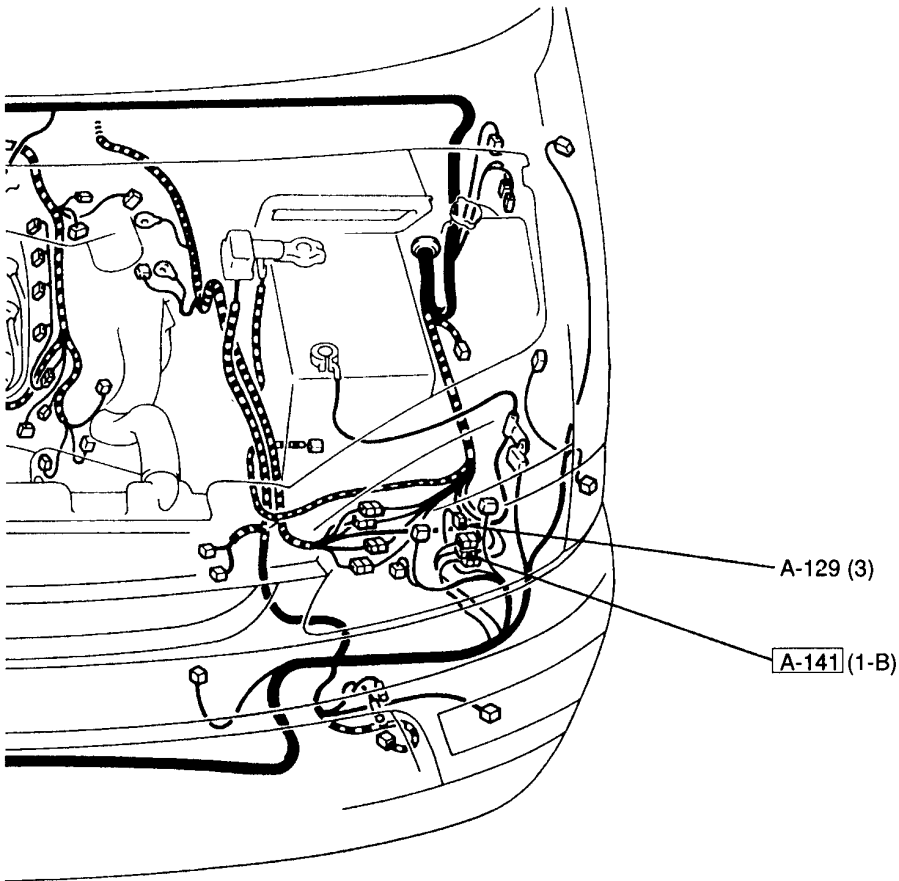
Connector symbol	
A	-129 thru -141



- A-129 Headlamp leveling unit (LH)
- A-131 Headlamp leveling unit (RH)
- A-137 Resistor
- A-138 Dim-dip lamp relay 1
- A-139 Dim-dip lamp relay 2
- A-140 Dim-dip lamp relay 3

A-141 Control wiring harness and front wiring harness combination

Remark
Connector numbers in are connector numbers which have been changed or added.

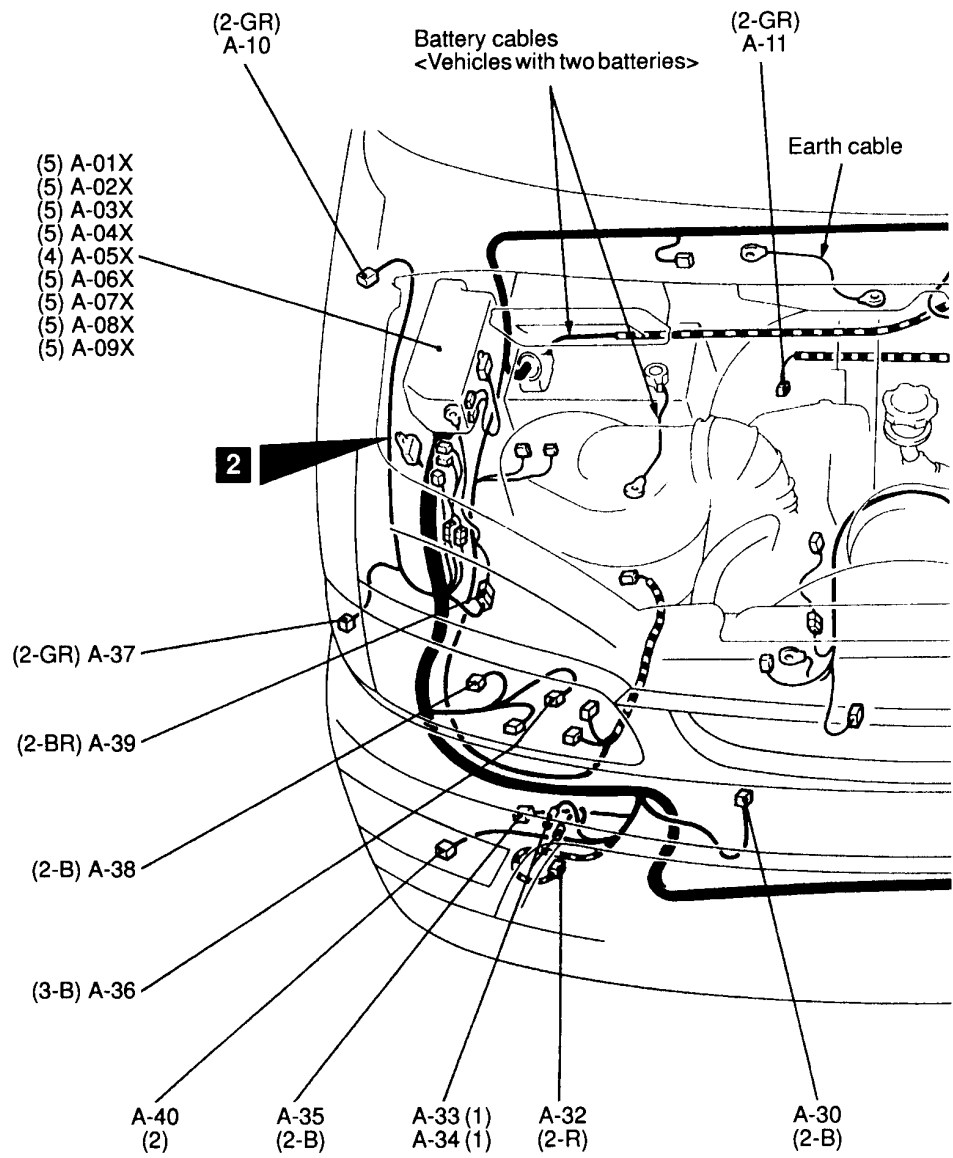
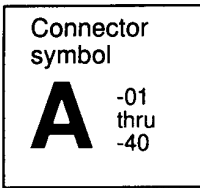


Connector colour code
B: Black
Y: Yellow
L: Blue
G: Green
R: Red
BR: Brown
V: Violet
O: Orange
GR: Gray

C36W0441

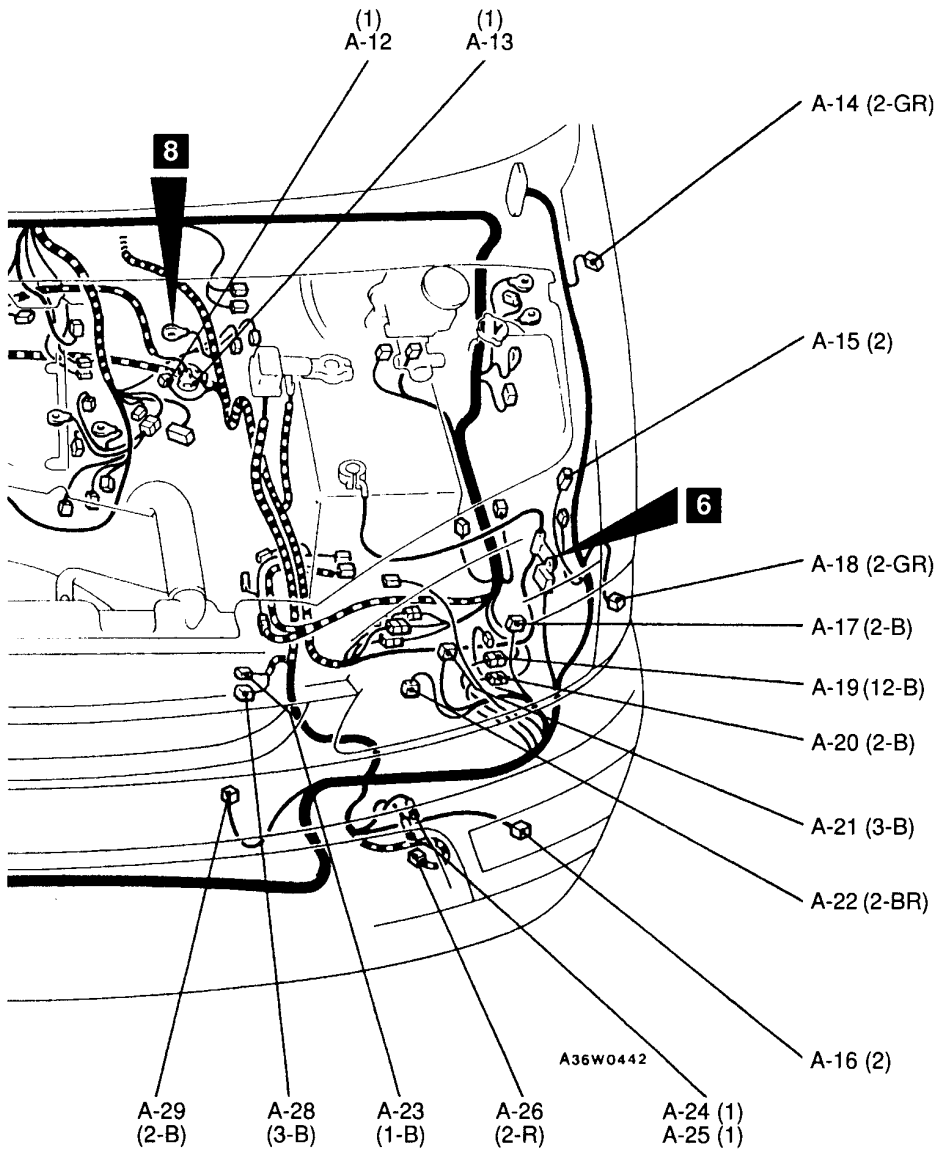
ENGINE COMPARTMENT

Diesel <L.H. drive vehicles>



- A-01X Horn relay <SRS>
- A-02X A/C compressor relay
- A-03X Front condenser fan motor relay
- A-04X Side condenser fan motor relay <Dual A/C>
- A-05X Alternator relay
- A-06X Intercooler fan motor relay <Vehicles with intercooler>
- A-07X Rear fog lamp relay
- A-08X Tail lamp relay
- A-09X Headlamp relay
- A-10 Side turn signal lamp (RH)
- A-11 Free-wheeling differential engage switch <4WD>

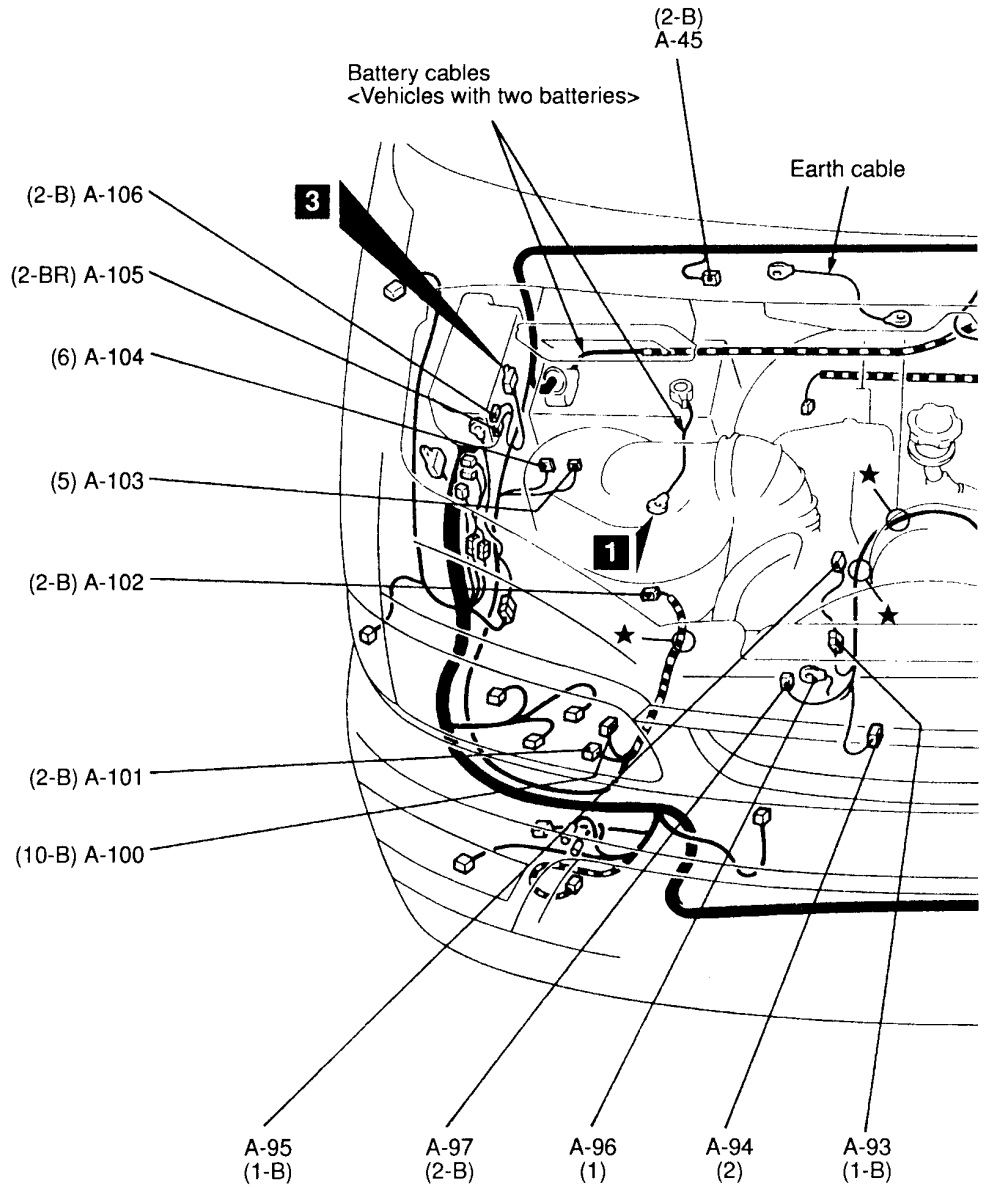
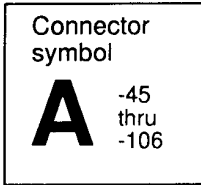
- A-12 Starter
- A-13 Starter
- A-14 Side turn signal lamp (LH)
- A-15 Windshield washer motor
- A-16 Front turn signal lamp (LH)
- A-17 Headlamp (LO: LH)
- A-18 Position lamp (LH)
- A-19 Control wiring harness and front wiring harness combination
- A-20 Control wiring harness and front wiring harness combination
- A-21 Headlamp (HI: LH)



Connector colour code
 B : Black
 Y : Yellow
 L : Blue
 G : Green
 R : Red
 BR : Brown
 V : Violet
 O : Orange
 GR : Gray

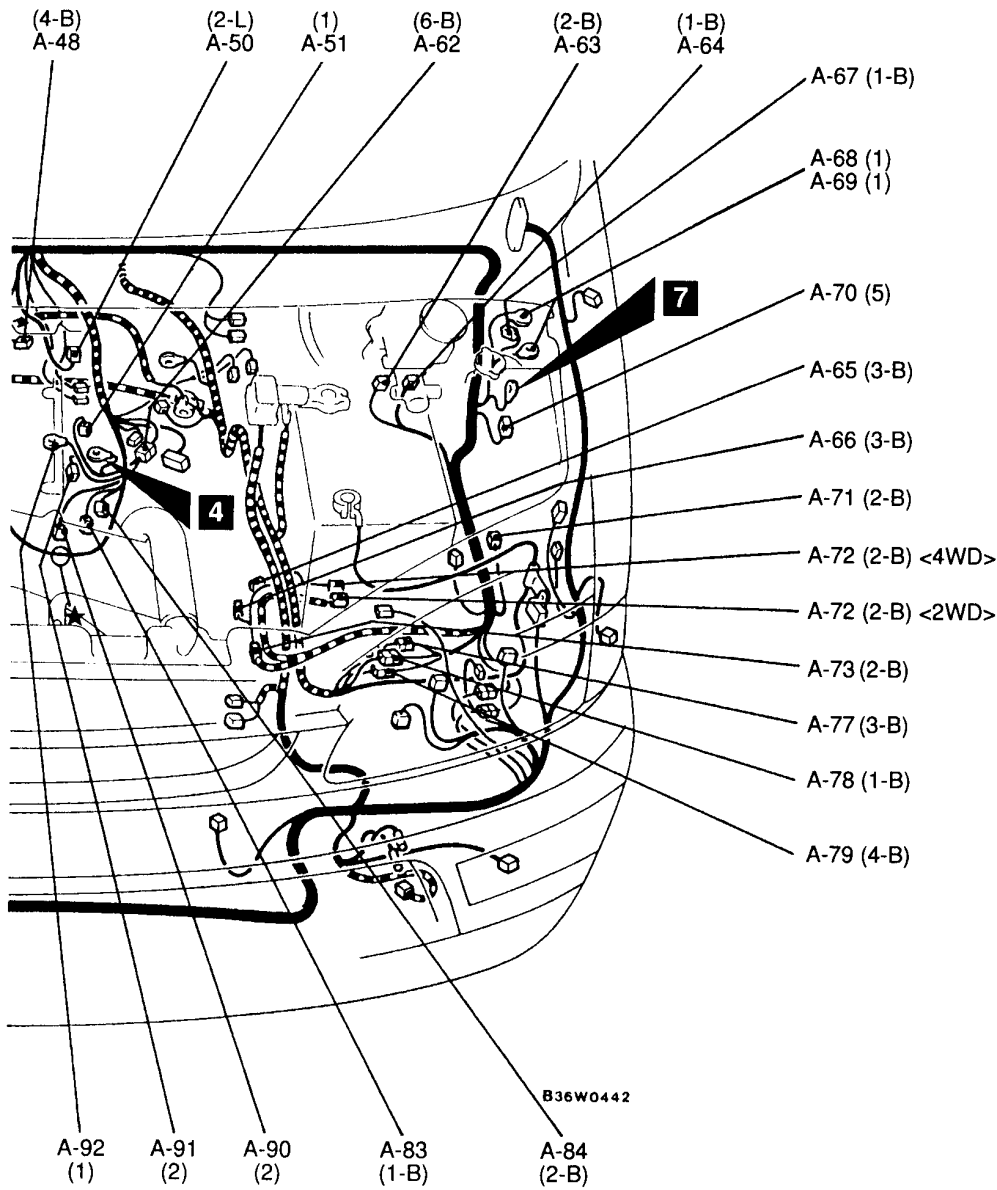
- | | | | |
|------|---|------|---|
| A-22 | Dual pressure switch <A/C> | A-33 | Horn (RH) |
| A-23 | Magnetic clutch <A/C> | A-34 | Horn (RH) |
| A-24 | Horn (LH) | A-35 | Thermo sensor (outside) <Vehicles with multi-meter> |
| A-25 | Horn (LH) | A-36 | Headlamp (RH) |
| A-26 | Front impact sensor (LH) <SRS> | A-37 | Position lamp (RH) |
| A-28 | A/C refrigerant temperature switch and A/C compressor magnetic valve <Dual A/C> | A-38 | Headlamp (RH) |
| A-29 | Front condenser fan motor (LH) <A/C> | A-39 | Control wiring harness and front wiring harness combination |
| A-30 | Front condenser fan motor (RH) <A/C> | A-40 | Front turn signal lamp (RH) |
| A-32 | Front impact sensor (RH) <SRS> | | |

Diesel <L.H. drive vehicles>



- A-45 Front A/C magnetic valve <Dual A/C>
- A-48 Windshield wiper motor
- A-50 Idle-up solenoid valve <A/C>
- A-51 Fuel cut solenoid valve
- A-62 Fuel injection pump wiring harness and control wiring harness combination
- A-63 Brake fluid level switch
- A-64 -
- A-65 No connection <4WD (ABS)>

- A-66 No connection <4WD (ABS)>
- A-67 Glow plug relay
- A-68 Glow plug relay
- A-69 Glow plug relay
- A-70 Starter relay <MPI>
- A-71 Water level switch
- A-72 Front wheel speed sensor (LH) <ABS>
- A-73 ABS wiring harness and control wiring harness combination <4WD>



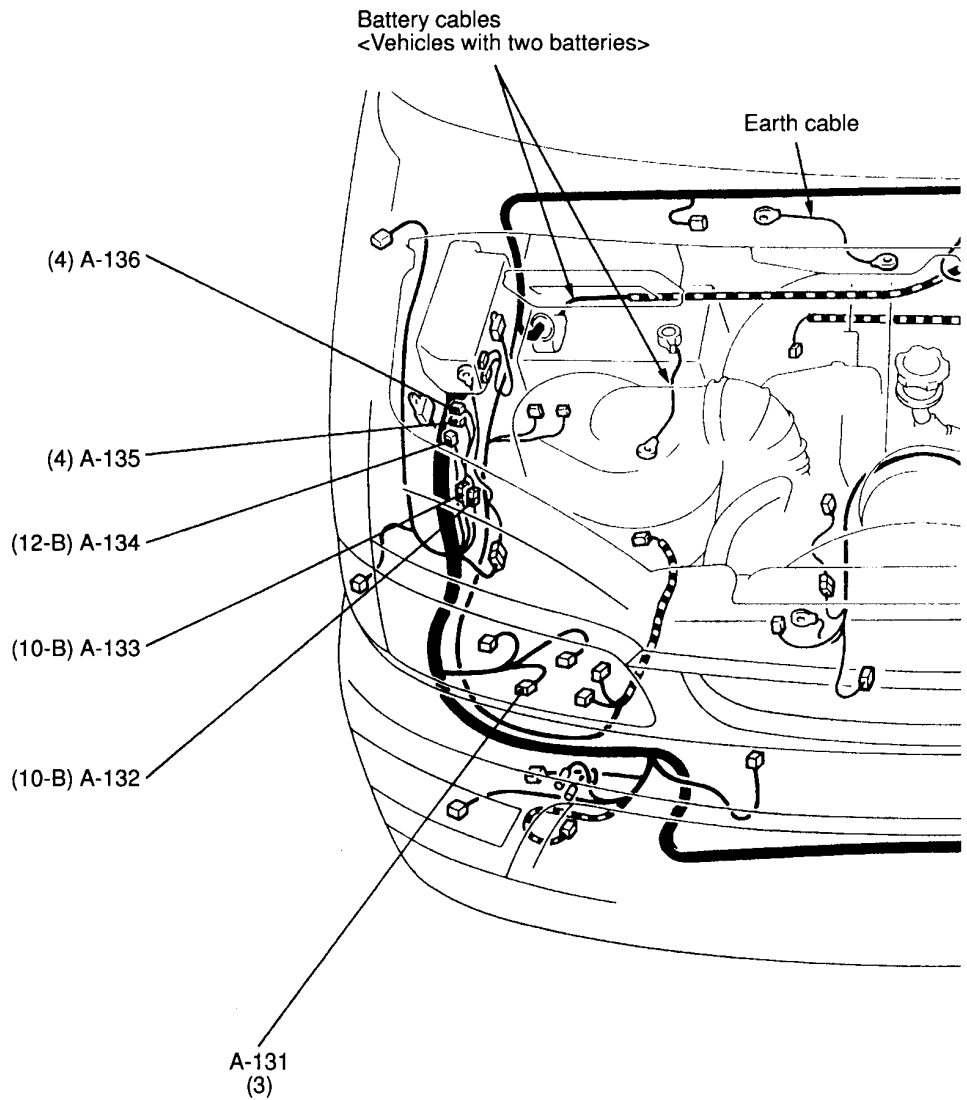
Connector colour code
 B : Black
 Y : Yellow
 L : Blue
 G : Green
 R : Red
 BR : Brown
 V : Violet
 O : Orange
 GR : Gray

- | | | | |
|------|---|-------|--|
| A-77 | Control wiring harness and battery cable assembly combination <4WD> | A-93 | Oil pressure wiring harness and control wiring harness combination |
| A-78 | Control wiring harness and battery cable assembly combination | A-94 | Engine oil level sensor |
| A-79 | Control wiring harness and battery cable assembly combination | A-95 | Oil pressure switch |
| A-83 | Engine coolant temperature switch (for dual A/C control) | A-96 | Alternator |
| A-84 | Engine coolant temperature switch (for A/C control) | A-97 | Alternator |
| A-90 | Engine coolant temperature sensor and gauge unit | A-100 | ABS hydraulic unit |
| A-91 | Revolution pick-up sensor | A-101 | ABS hydraulic unit |
| A-92 | Glow plug | A-102 | Front wheel speed sensor (RH) <ABS> |
| | | A-103 | ABS motor relay |
| | | A-104 | ABS valve relay |
| | | A-105 | 4WD solenoid valve (B) |
| | | A-106 | 4WD solenoid valve (A) |

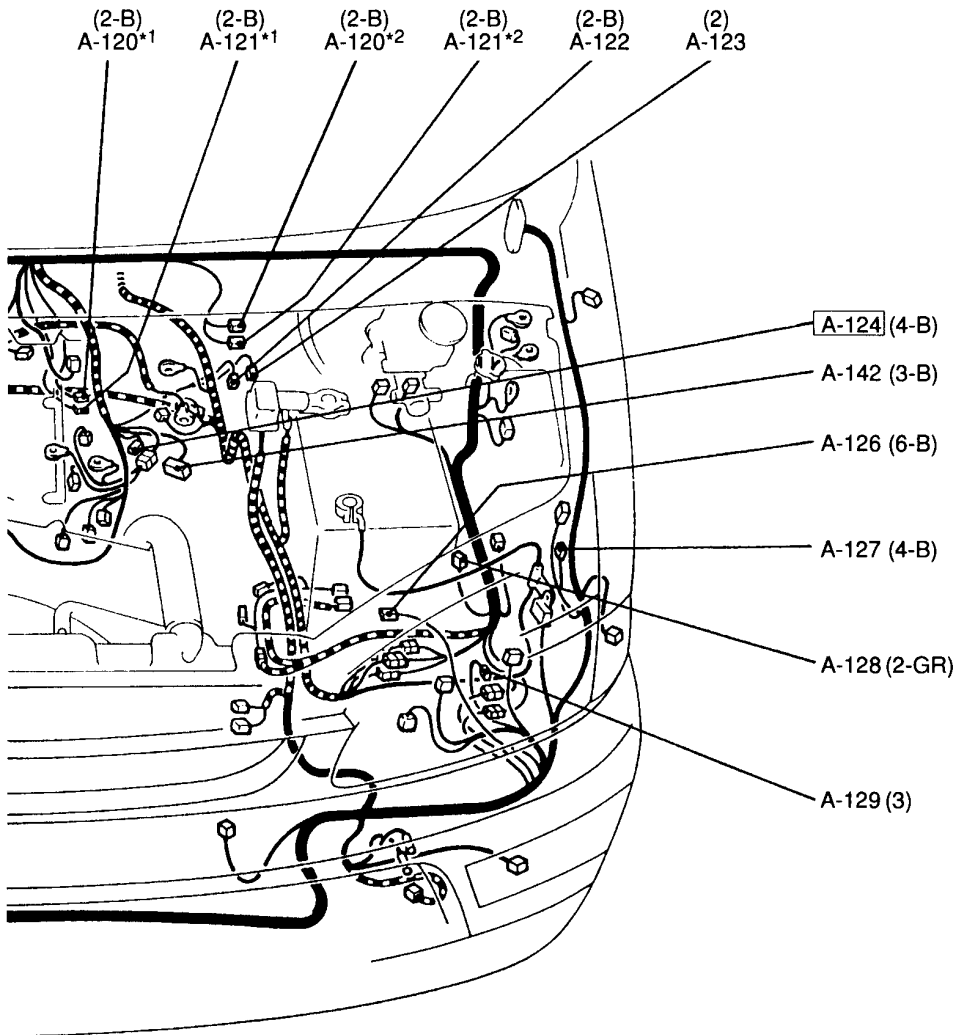
Diesel <L.H. drive vehicles>

Connector symbol

A -120 thru -142



- | | | | |
|--------------|--|-------|--|
| A-120 | EGR solenoid valve 1 | A-126 | Headlamp washer relay |
| A-121 | EGR solenoid valve 2 | A-127 | Headlamp washer motor/Headlamp washer fluid level sensor |
| A-122 | Intercooler fan motor
<Vehicles with intercooler> | A-128 | Fuel line heater |
| A-123 | Intake air temperature switch
<Vehicles with intercooler> | A-129 | Headlamp leveling unit (LH) |
| A-124 | Lever (throttle) position sensor | A-131 | Headlamp leveling unit (RH) |



C36W0442

Connector colour code

- B : Black
- Y : Yellow
- L : Blue
- G : Green
- R : Red
- BR : Brown
- V : Violet
- O : Orange
- GR : Gray

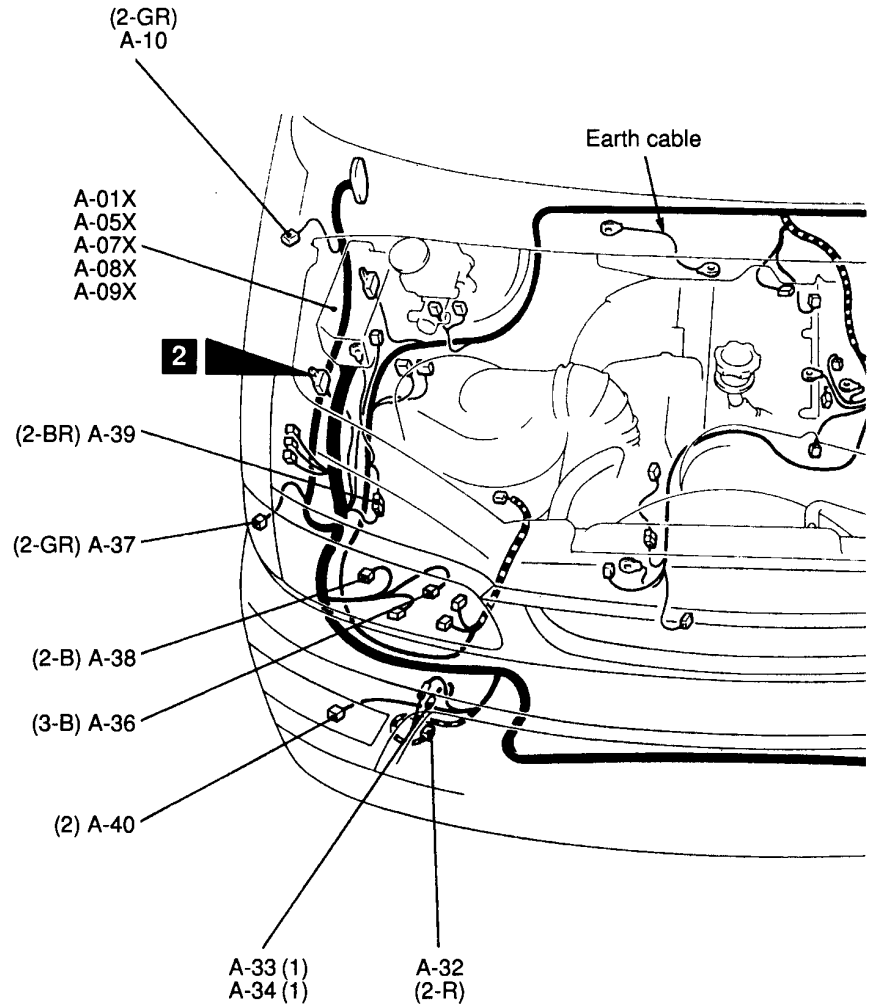
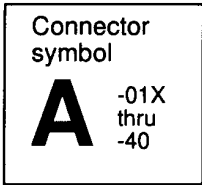
- A-132 DRL wiring harness and front wiring harness combination
- A-133 DRL wiring harness and front wiring harness combination
- A-134 DRL-ECU
- A-135 DRL relay 2
- A-136 DRL relay 1
- A-142 Fuel cut valve controller
<Vehicles with immobilizer>

Remark
Connector numbers in are connector numbers which have been changed or added.

Remarks
*1: Vehicles with intercooler
*2: Vehicles without intercooler

ENGINE COMPARTMENT

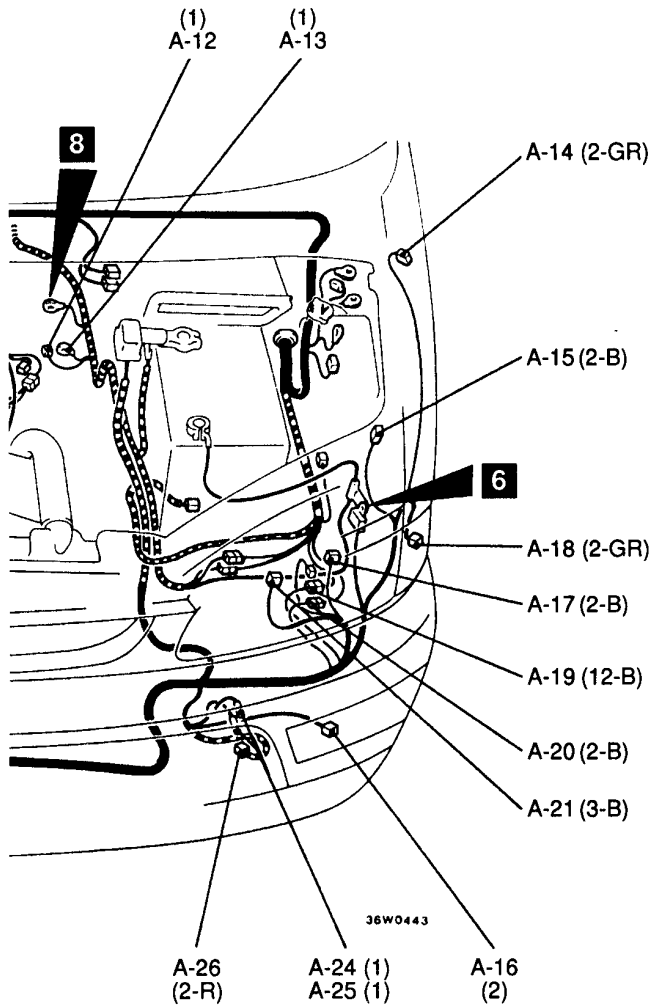
Diesel <R.H. drive vehicles>



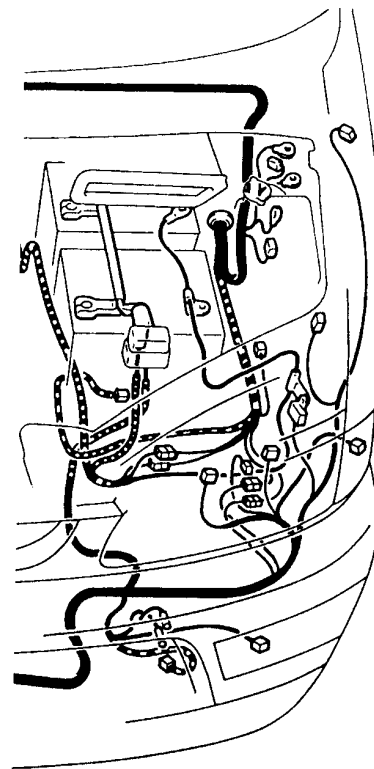
- Connector colour code
- B : Black
 - Y : Yellow
 - L : Blue
 - G : Green
 - R : Red
 - BR : Brown
 - V : Violet
 - O : Orange
 - GR : Gray

- A-01X Horn relay <SRS>
- A-05X Alternator relay
- A-07X Rear fog lamp relay
- A-08X Tail lamp relay
- A-09X Headlamp relay
- A-10 Side turn signal lamp (RH)
- A-12 Starter
- A-13 Starter
- A-14 Side turn signal lamp (LH)

- A-15 Windshield washer motor
- A-16 Front turn signal lamp (LH)
- A-17 Headlamp (LO: LH)
- A-18 Position lamp (LH)
- A-19 Control wiring harness and front wiring harness combination
- A-20 Control wiring harness and front wiring harness combination



<Vehicles with two batteries>



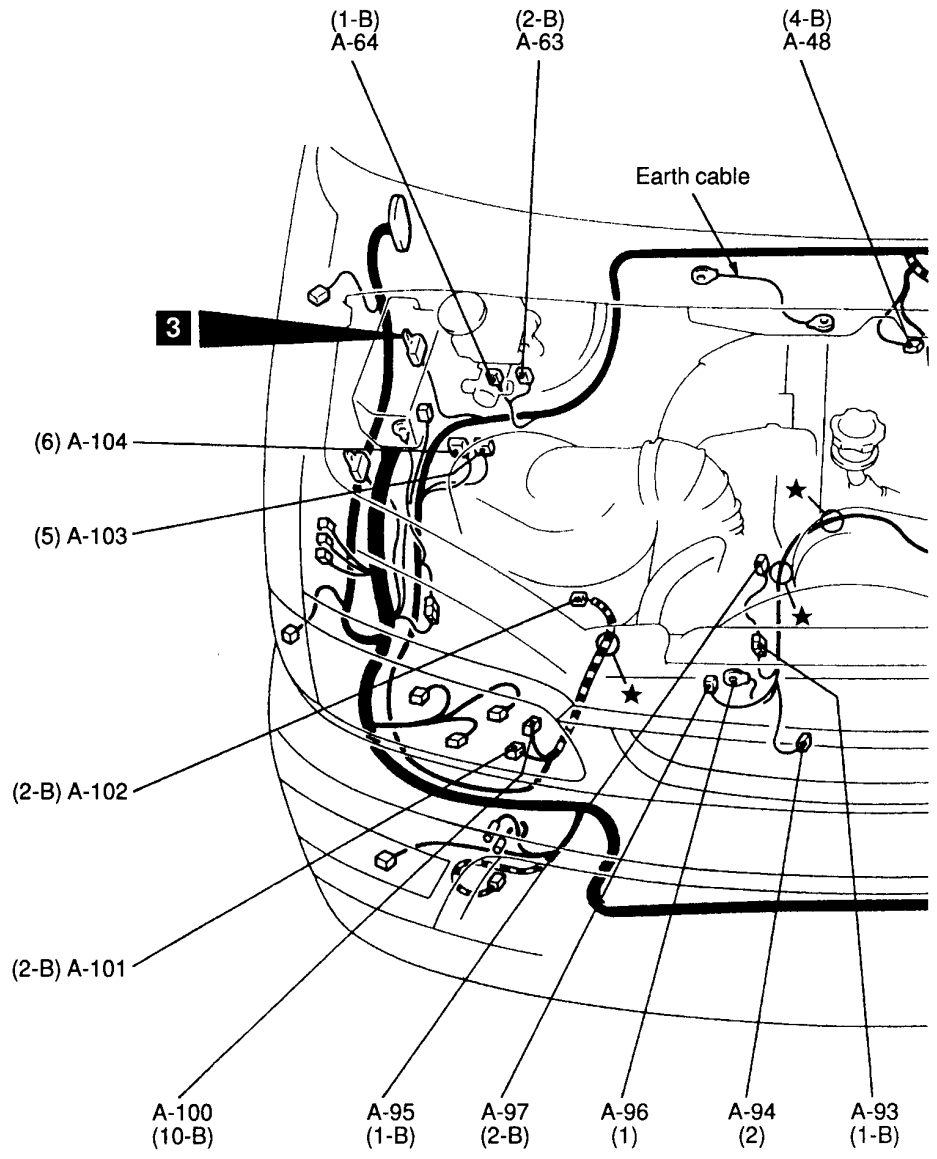
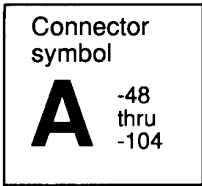
36W0433

00008658

- A-21 Headlamp (HI: LH)
- A-24 Horn (LH)
- A-25 Horn (LH)
- A-26 Front impact sensor (LH) <SRS>
- A-32 Front impact sensor (RH) <SRS>
- A-33 Horn (RH)
- A-34 Horn (RH)

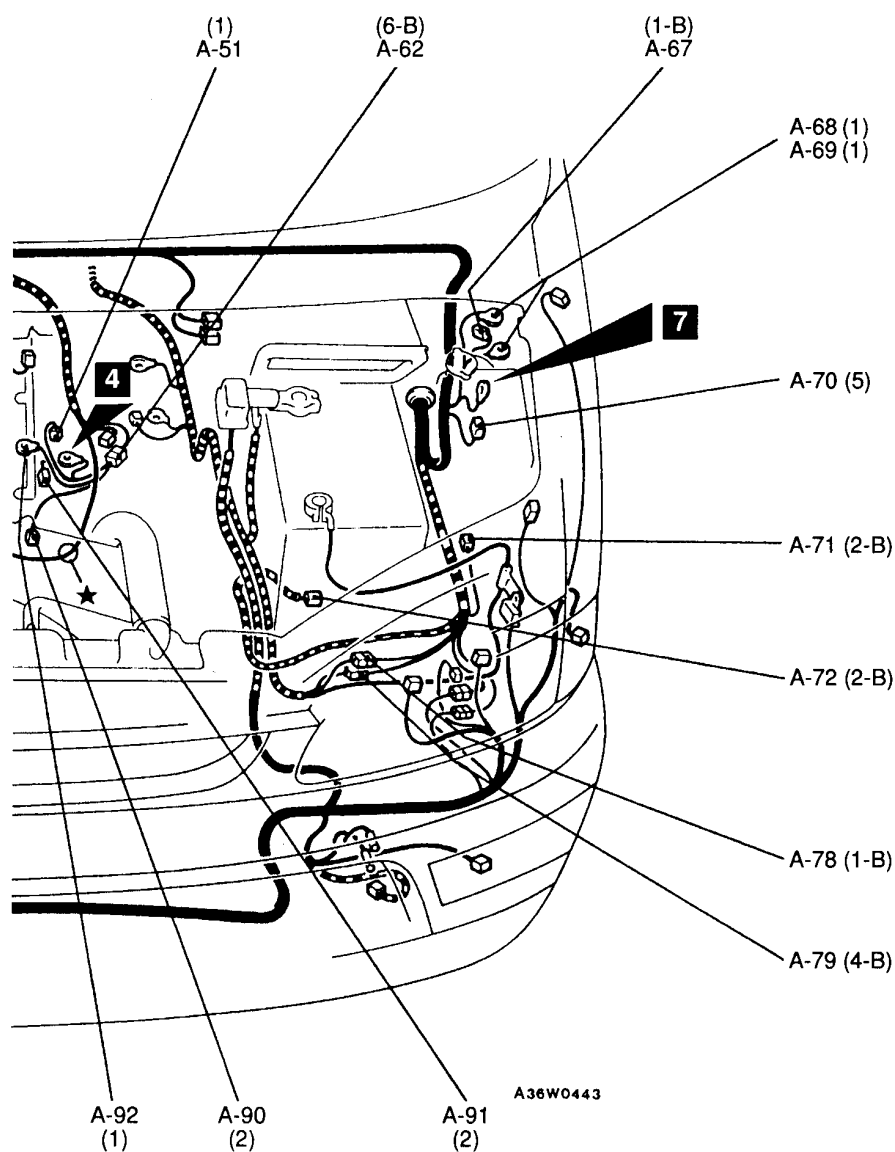
- A-36 Headlamp (HI: RH)
- A-37 Position lamp (RH)
- A-38 Headlamp (LO: RH)
- A-39 Control wiring harness and front wiring harness combination
- A-40 Front turn signal lamp (RH)

Diesel <R.H. drive vehicles>



- A-48 Windshield wiper motor
- A-51 Fuel cut solenoid valve
- A-62 Fuel injection pump wiring harness and control wiring harness combination
- A-63 Brake fluid level switch
- A-63 Brake fluid level switch
- A-64 Vacuum switch

- A-67 Glow plug relay
- A-68 Glow plug relay
- A-69 Glow plug relay
- A-70 Starter relay
- A-71 Water level switch
- A-72 Front wheel speed sensor (LH) <ABS>



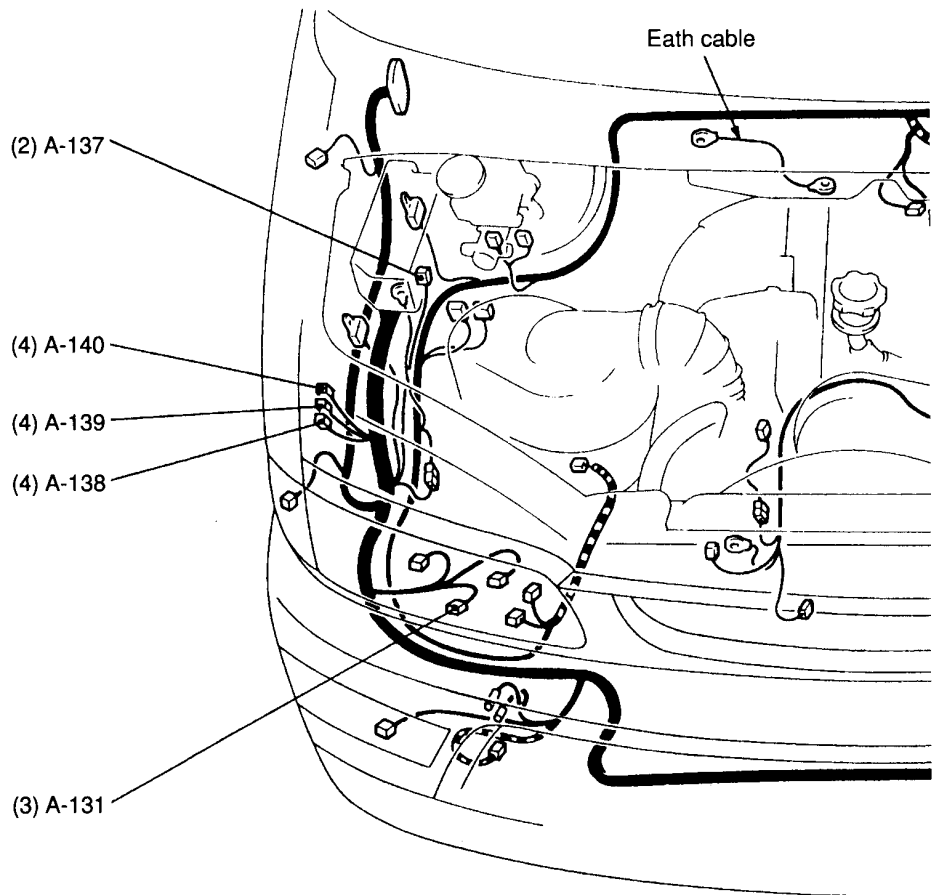
Connector colour code
 B : Black
 Y : Yellow
 L : Blue
 G : Green
 R : Red
 BR : Brown
 V : Violet
 O : Orange
 GR : Gray

- | | | | |
|------|--|-------|-------------------------------------|
| A-78 | Control wiring harness and battery cable assembly combination | A-94 | Engine oil level sensor |
| A-79 | Control wiring harness and battery cable assembly combination | A-95 | Oil pressure switch |
| A-90 | Engine coolant temperature sensor and gauge unit | A-96 | Alternator |
| A-91 | Revolution pick-up sensor | A-97 | Alternator |
| A-92 | Glow plug | A-100 | ABS hydraulic unit |
| A-93 | Oil pressure wiring harness and control wiring harness combination | A-101 | ABS hydraulic unit |
| | | A-102 | Front wheel speed sensor (RH) <ABS> |
| | | A-103 | ABS motor relay |
| | | A-104 | ABS valve relay |

Diesel <R.H. drive vehicles>

Connector symbol

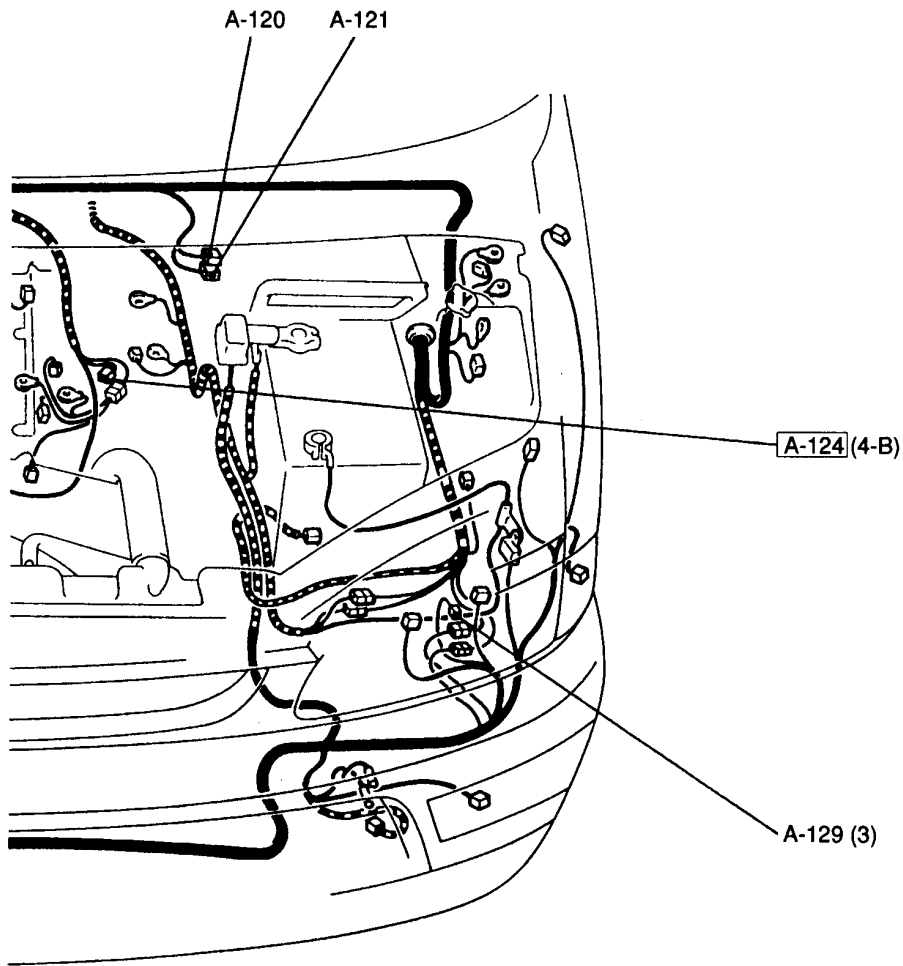
A -120 thru -140



- A-120 EGR solenoid valve 1
- A-121 EGR solenoid valve 2
- A-124 Lever (throttle) position sensor
- A-129 Headlamp leveling unit (LH)
- A-131 Headlamp leveling unit (RH)
- A-137 Resistor
- A-138 Dim-dip lamp relay 1

- A-139 Dim-dip lamp relay 2
- A-140 Dim-dip lamp relay 3

Remark
Connector numbers in are connector numbers which have been changed or added.

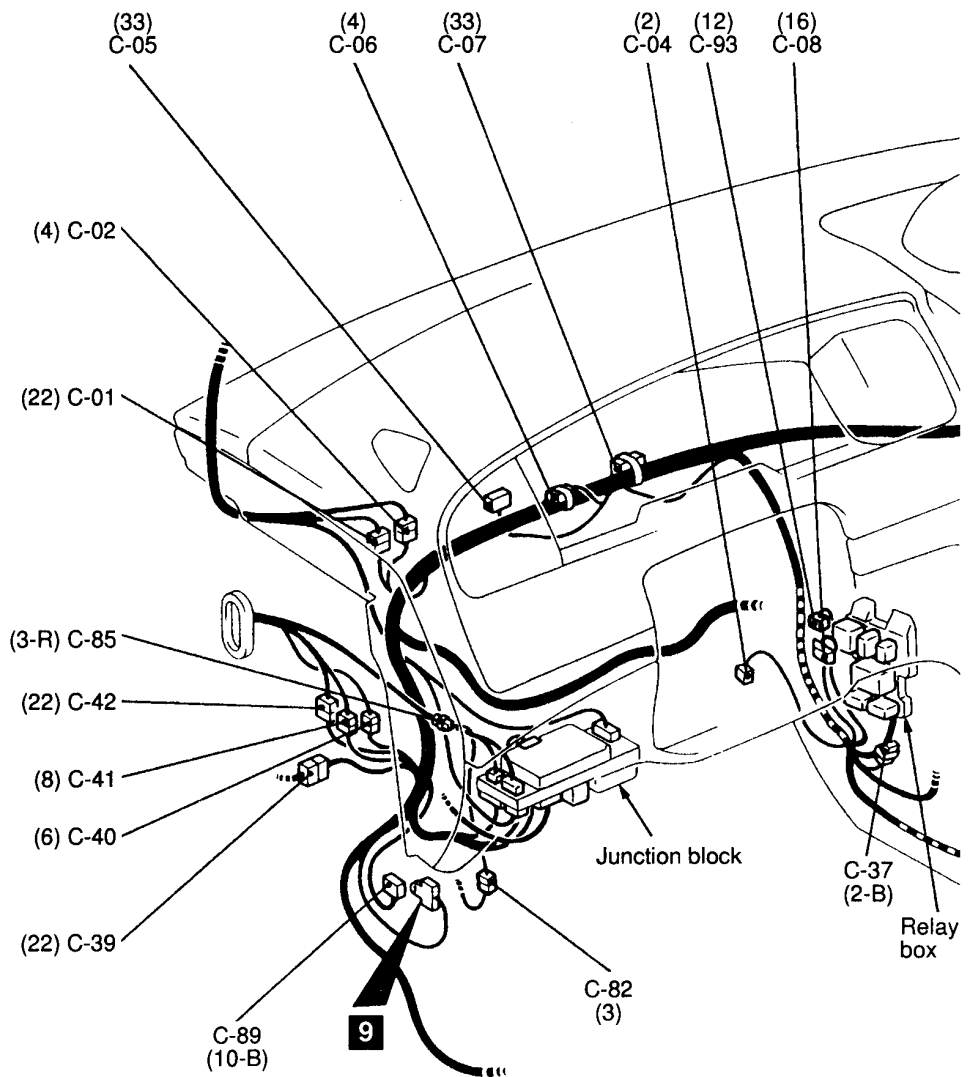
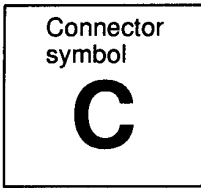


- Connector colour code
- B : Black
 - Y : Yellow
 - L : Blue
 - G : Green
 - R : Red
 - BR : Brown
 - V : Violet
 - O : Orange
 - GR : Gray

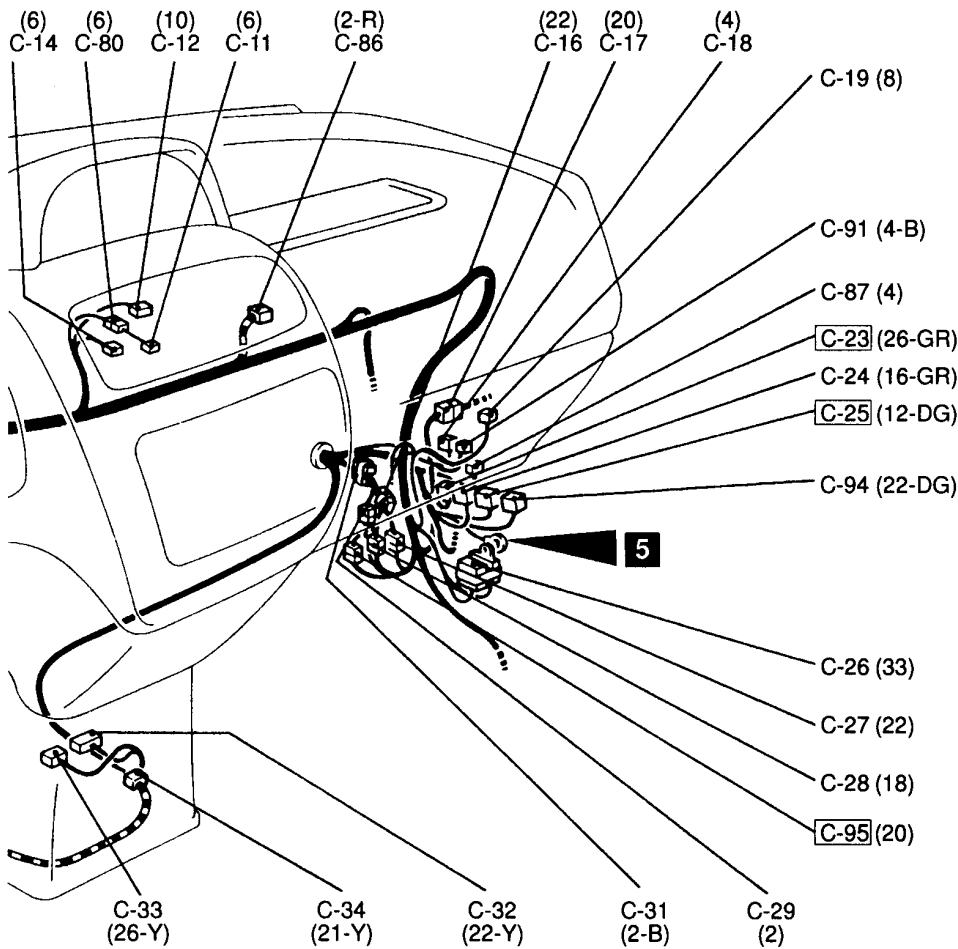
B36W0443

DASH PANEL

L.H. drive vehicles



- | | | | |
|------|---|-------------|--|
| C-01 | Roof wiring harness and body wiring harness combination | C-11 | Rear heater switch |
| C-02 | Roof wiring harness and body wiring harness combination <Vehicles with overhead cooling unit> | C-12 | Front blower switch |
| C-04 | Stop lamp switch | C-14 | Front A/C switch |
| C-05 | J/C (1) | C-16 | J/C (5) |
| C-06 | J/C (4) | C-17 | Front door wiring harness (passenger's side) and body wiring harness combination |
| C-07 | J/C (2) | C-18 | Engine control relay |
| C-08 | Diagnosis connector | C-19 | Rear intermittent wiper relay |
| | | C-23 | Engine-ECU <Petrol> or glow-ECU <Diesel> |
| | | C-24 | Engine-ECU |



A36W0444

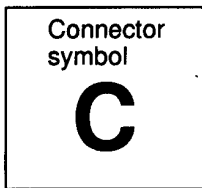
Connector colour code
 B : Black
 Y : Yellow
 L : Blue
 G : Green
 R : Red
 BR : Brown
 V : Violet
 O : Orange
 GR : Gray

- C-25 Engine-ECU
- C-26 J/C (3)
- C-27 Control wiring harness and body wiring harness combination
- C-28 Control wiring harness and body wiring harness combination <Diesel>
- C-29 Control wiring harness and body wiring harness combination
- C-31 Diode (for ABS circuit)
- C-32 ABS-ECU
- C-33 ABS-ECU
- C-34 SRS-ECU
- C-37 Diode (for rear blower circuit)
<Vehicles with under seat type rear heater>

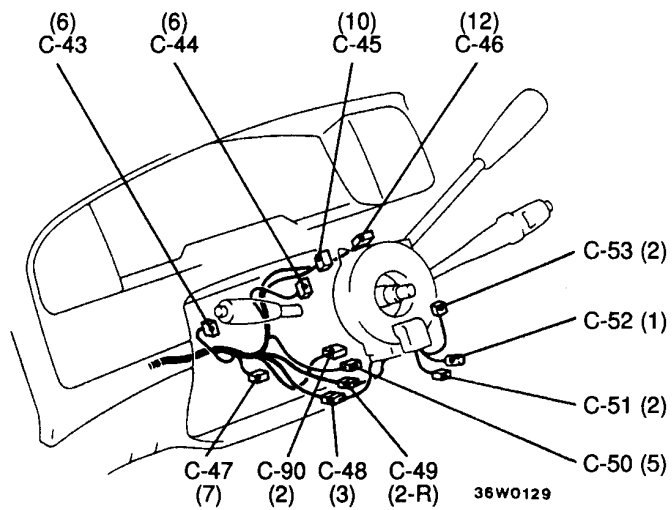
- C-39 Front door wiring harness (driver's side) and body wiring harness combination
- C-40 Front wiring harness and body wiring harness combination
- C-41 Front wiring harness and body wiring harness combination
- C-42 Front wiring harness and body wiring harness combination

Remark
 Connector numbers in are connector numbers which have been changed or added.

L.H. drive vehicles

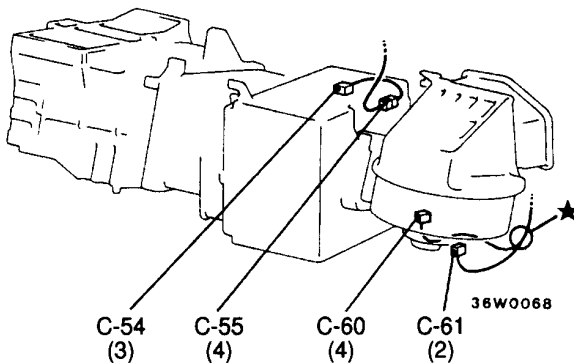


Steering column

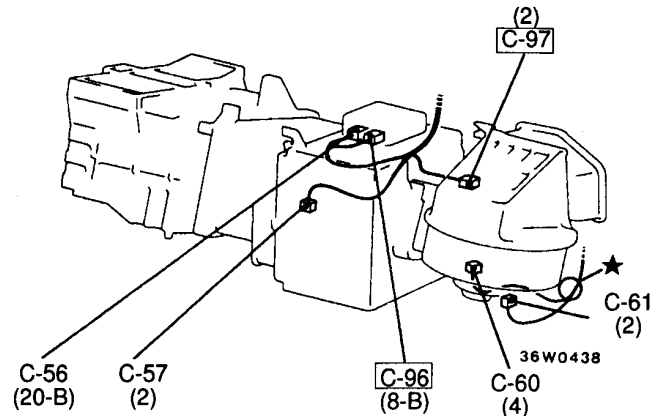


Front blower and cooling unit

<Vehicles with single heater or single A/C>



<Vehicles with dual heater or dual A/C>

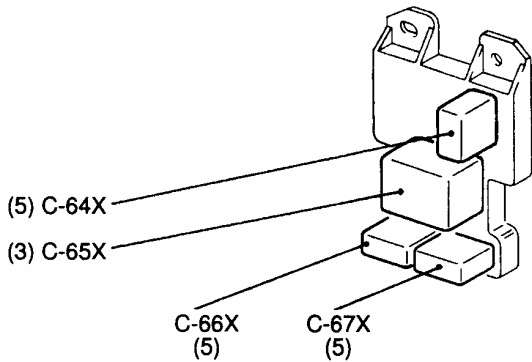


00008659

- C-43 Ignition switch
- C-44 Column switch
- C-45 Column switch
- C-46 Column switch
- C-47 Key reminder switch
- C-48 Clock spring
- C-49 Clock spring
- C-50 Steering wheel sensor <ABS>
- C-51 No connection <SRS>
- C-52 Horn switch <SRS>
- C-53 Air bag module (squib) (Driver's side)
- C-54 Thermostat <Single A/C>
- C-55 Thermostat wiring harness and body wiring harness combination <Single A/C>

- C-56 A/C-ECU <Dual A/C>
- C-57 Front air thermo sensor <Dual A/C>
- C-60 Front blower resistor
- C-61 Front blower motor
- C-63X Fuel line heater relay
- C-64X Power window relay
- C-65X Turn signal and hazard warning flasher unit
- C-66X Rear blower motor relay (HI) <Under seat type rear heater>
- Rear blower motor relay <Built-in type rear heater>
- C-67X Accessory socket relay
- C-68 Roof wiring harness and junction block combination

Relay box in passenger compartment



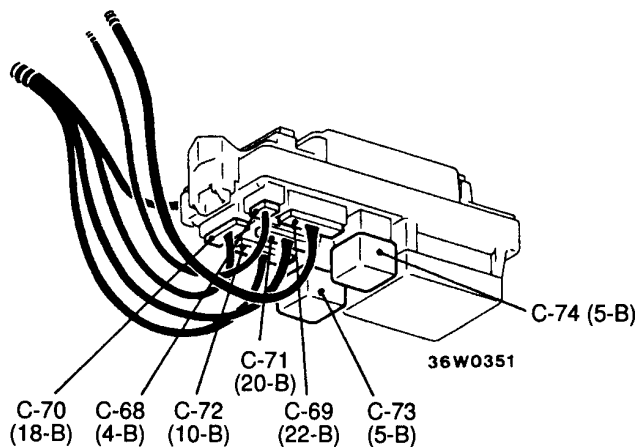
36W0359

Connector colour code

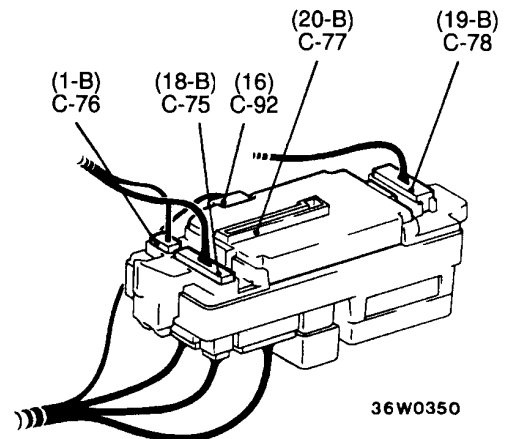
- B : Black
- Y : Yellow
- L : Blue
- G : Green
- R : Red
- BR : Brown
- V : Violet
- O : Orange
- GR : Gray

Junction block

(Under view)



(Upper view)



00007184

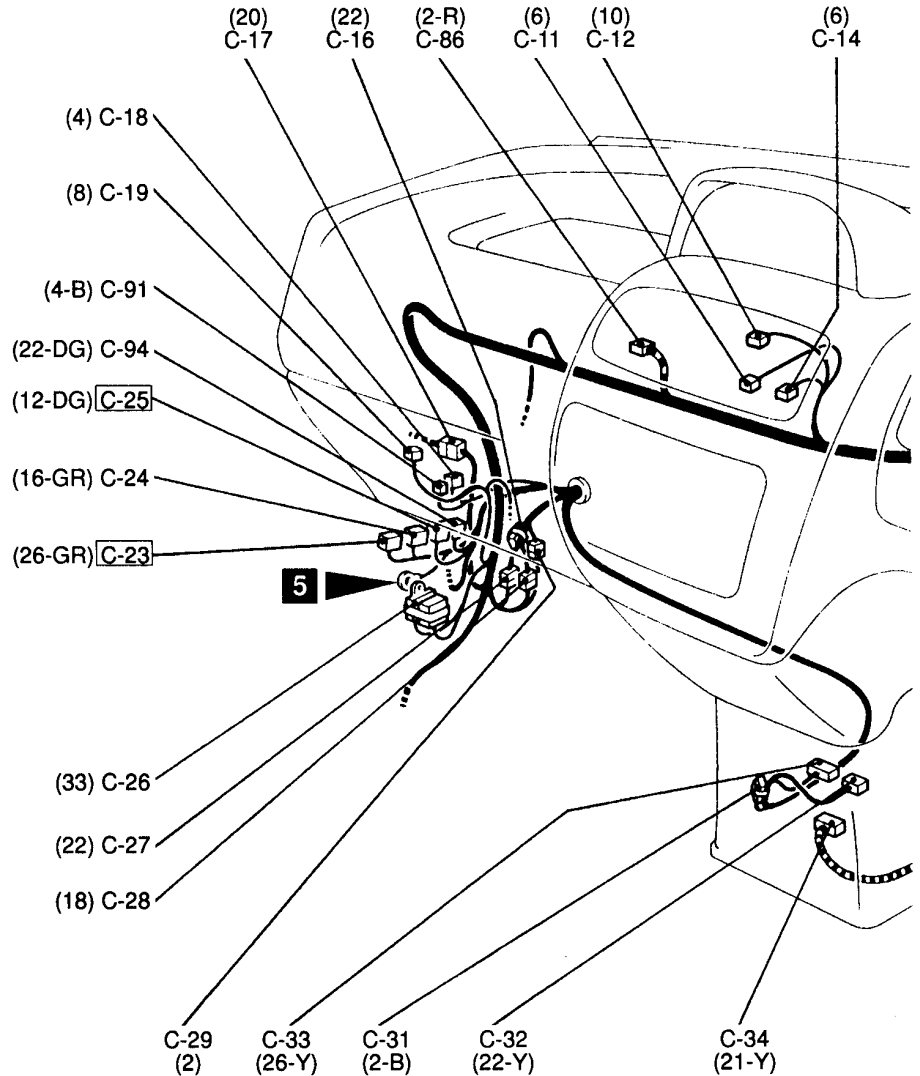
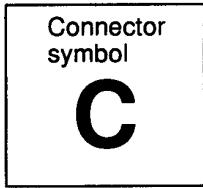
- | | | | |
|------|--|--|--|
| C-69 | Instrument panel wiring harness and junction block combination | C-82 | Front wiring harness and instrument panel wiring harness combination |
| C-70 | Body wiring harness and junction block combination | C-85 | Diode (for DRL and rear fog lamp circuit) |
| C-71 | Body wiring harness and junction block combination | C-86 | Air bag module (squib) (Passenger's side) |
| C-72 | Body wiring harness and junction block combination | C-87 | Intercooler fan-ECU |
| C-73 | Defogger relay | C-89 | Immobilizer-ECU |
| C-74 | Front blower motor relay | C-90 | Ignition key ring antenna |
| C-75 | Front wiring harness and junction block combination | C-91 | Fuel pump relay |
| C-76 | Front wiring harness and junction block combination | C-92 | ETACS-ECU |
| C-77 | Buzzer-ECU | C-93 | Diagnosis connector |
| C-78 | Roof wiring harness and junction block combination | C-94 | Engine-ECU |
| C-79 | Body wiring harness and joint wiring harness combination <Overhead type A/C> | C-95 | Control wiring harness and body wiring harness combination <MPI> |
| C-80 | Body wiring harness and joint wiring harness combination <Under seat type rear heater> | C-96 | A/C-ECU <Overhead type A/C> |
| | | C-97 | Outside air temperature sensor <Dual A/C (MPI)> |

Remark

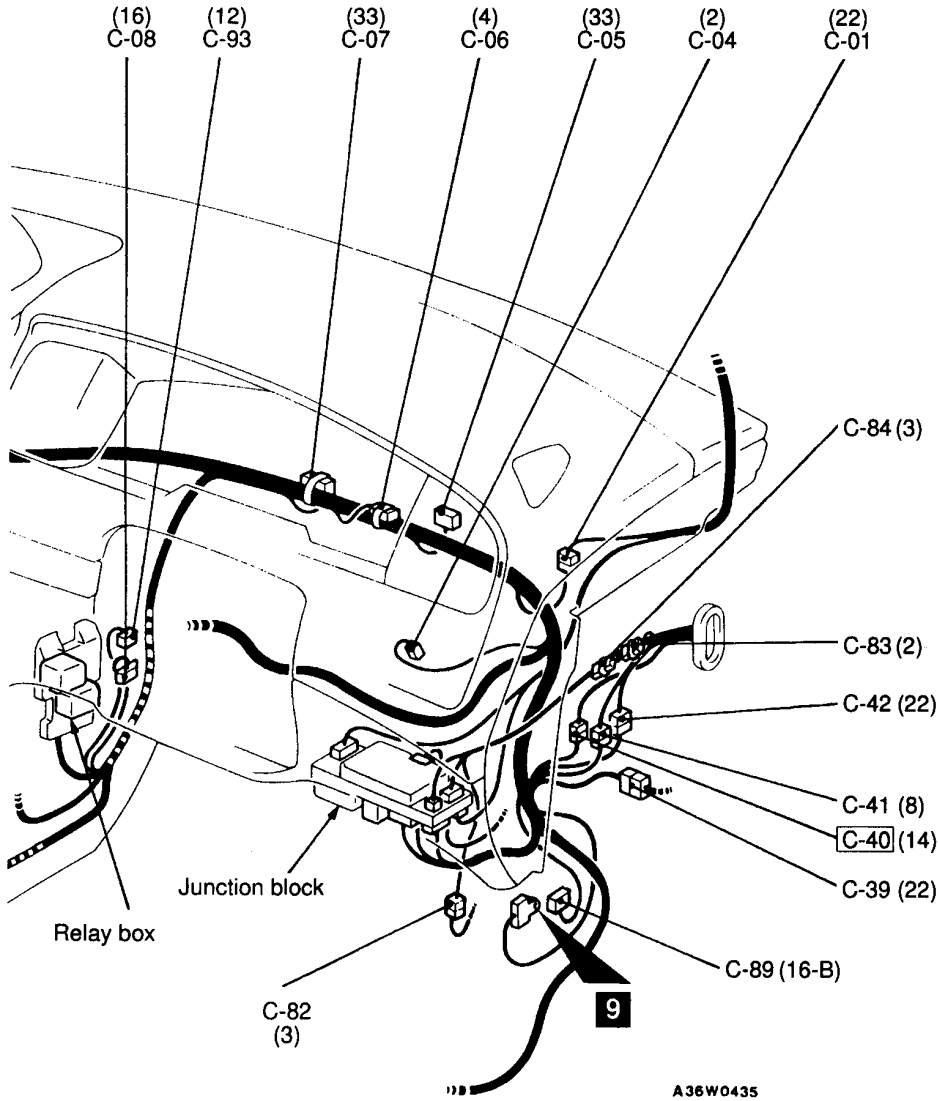
Connector numbers in are connector numbers which have been changed or added.

DASH PANEL

R.H. drive vehicles



- | | | | |
|------|---|------|--|
| C-01 | Roof wiring harness and body wiring harness combination | C-14 | Front A/C switch |
| C-04 | Stop lamp switch | C-16 | J/C (5) |
| C-05 | J/C (1) | C-17 | Front door wiring harness (passenger's side) and body wiring harness combination |
| C-06 | J/C (4) | C-18 | Control relay <MPI> |
| C-07 | J/C (2) | C-19 | Rear intermittent wiper relay or jumper connector |
| C-08 | Diagnosis connector | C-23 | Engine-ECU <Petrol> or glow-ECU <Diesel> |
| C-11 | Rear heater switch | | |
| C-12 | Front blower switch | | |



Connector colour code
 B : Black
 Y : Yellow
 L : Blue
 G : Green
 R : Red
 BR : Brown
 V : Violet
 O : Orange
 GR : Gray

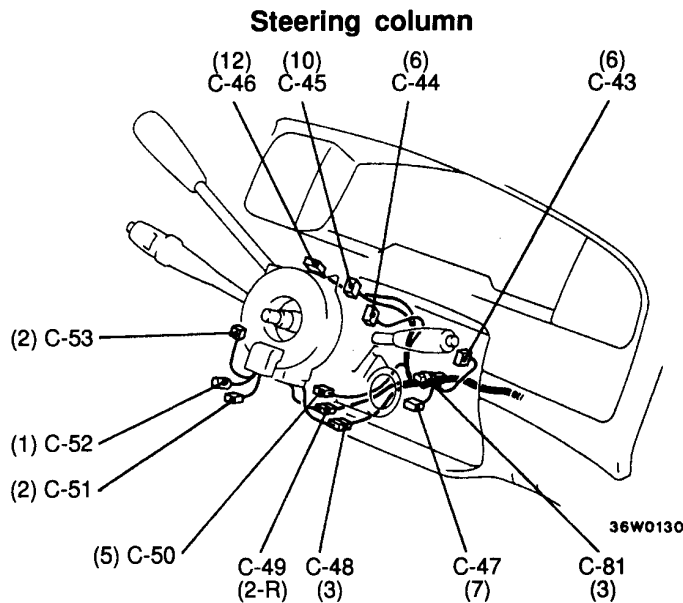
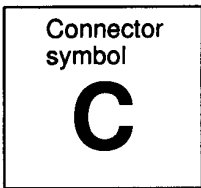
- C-24 Engine-ECU
- C-25 Engine-ECU
- C-26 J/C (3)
- C-27 Control wiring harness and body wiring harness combination
- C-28 Control wiring harness and body wiring harness combination
- C-29 Control wiring harness and body wiring harness combination
- C-31 Diode (for ABS circuit)
- C-32 ABS-ECU
- C-33 ABS-ECU
- C-34 SRS-ECU

- C-39 Front door wiring harness (driver's side) and body wiring harness combination
- C-40 Front wiring harness and body wiring harness combination
- C-41 Front wiring harness and body wiring harness combination
- C-42 Front wiring harness and body wiring harness combination

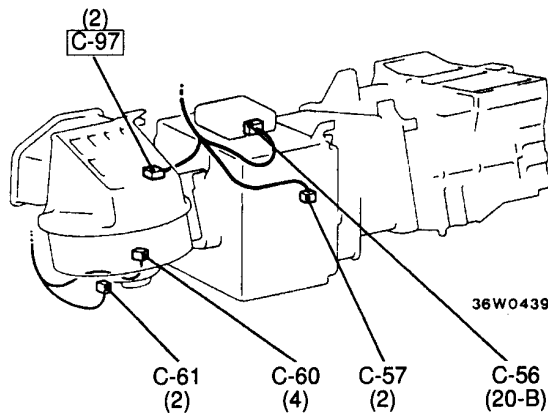
Remark
 Connector numbers in are connector numbers which have been changed or added.

A36W0435

R.H. drive vehicles



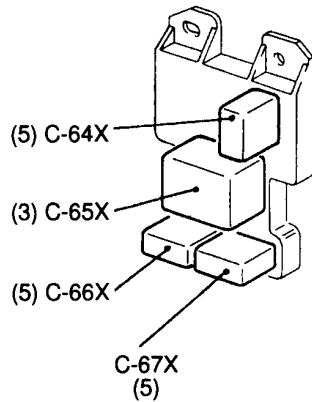
Front blower and cooling unit



00008660

- | | | | |
|------|------------------------------------|-------|--|
| C-43 | Ignition switch | C-61 | Front blower motor |
| C-44 | Column switch | C-64X | Power window relay |
| C-45 | Column switch | C-65X | Turn-signal and hazard flasher unit |
| C-46 | Column switch | C-66X | Rear blower motor relay (HI)
<Under seat type rear heater> |
| C-47 | Key reminder switch | | Rear blower motor relay
<Built-in type rear heater> |
| C-48 | Clock spring | C-67X | Accessory socket relay |
| C-49 | Clock spring | C-68 | Roof wiring harness and junction block combination |
| C-50 | Steering wheel sensor <ABS> | C-69 | Instrument panel wiring harness and junction block combination |
| C-51 | No connection <SRS> | C-70 | Body wiring harness and junction block combination |
| C-52 | Horn switch <SRS> | | |
| C-53 | Air bag module (squib) | | |
| C-56 | A/C-ECU <Dual A/C> | | |
| C-57 | Front air thermo sensor <Dual A/C> | | |
| C-60 | Front blower resistor | | |

Relay box in passenger compartment

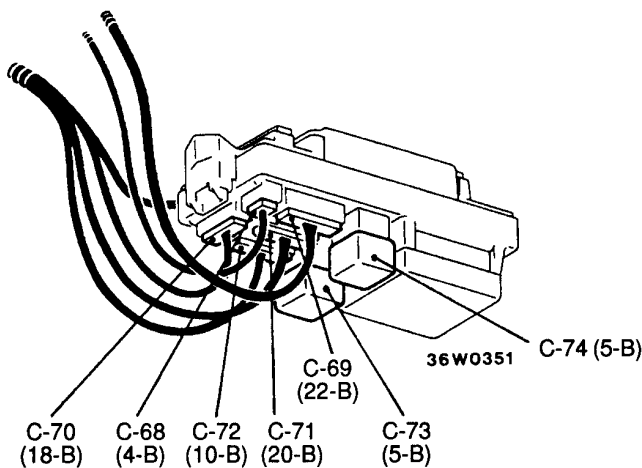


36W0359

- Connector colour code
 B : Black
 Y : Yellow
 L : Blue
 G : Green
 R : Red
 BR : Brown
 V : Violet
 O : Orange
 GR : Gray

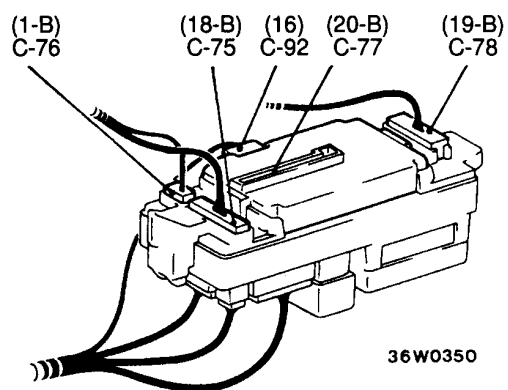
Junction block

(Under view)



36W0351

(Upper view)



36W0350

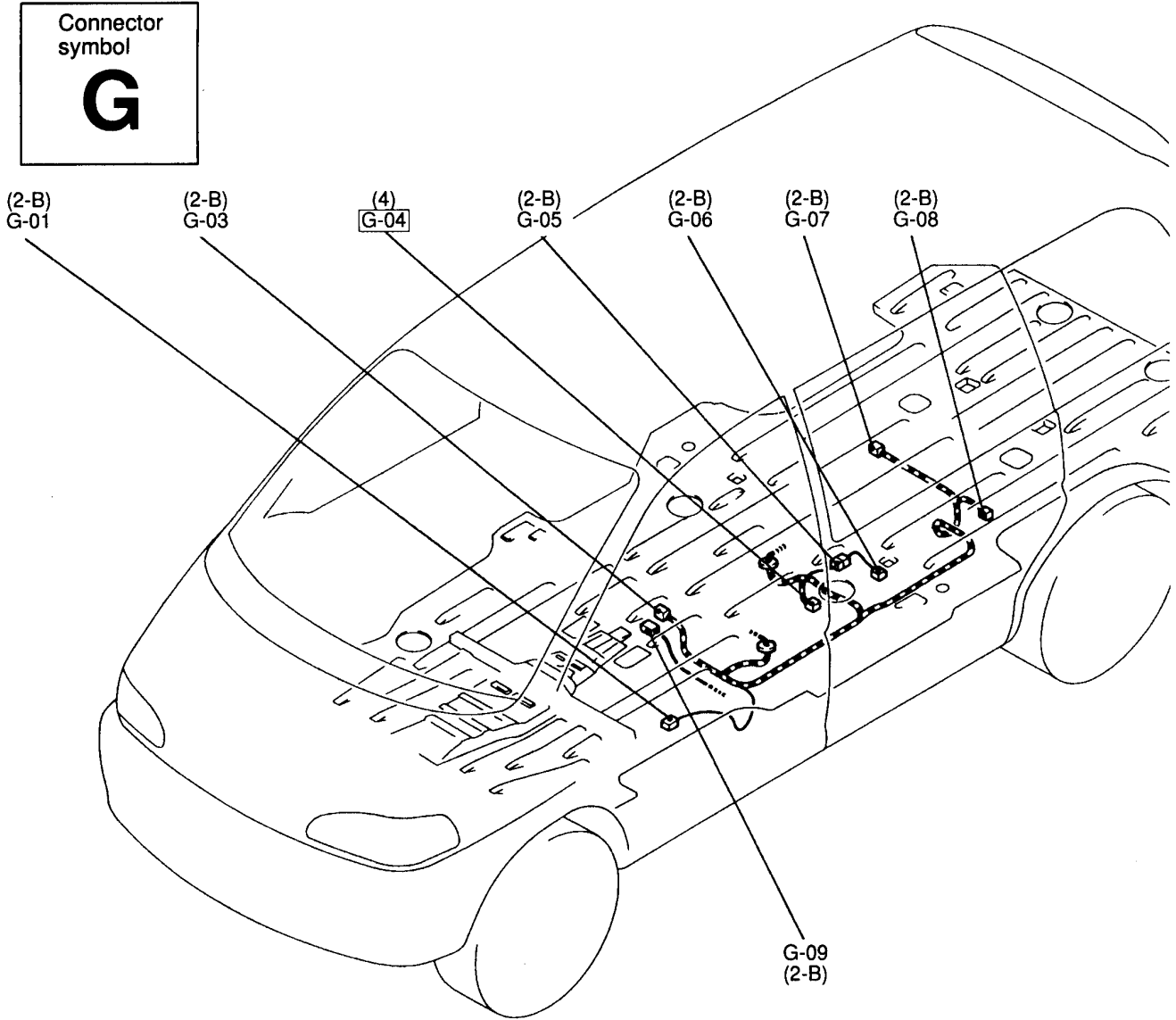
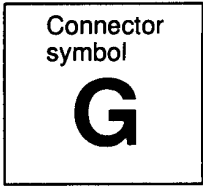
00007186

- | | | | |
|------|--|-------------|---|
| C-71 | Body wiring harness and junction block combination | C-83 | Diode (for dim-dip lamp circuit) |
| C-72 | Body wiring harness and junction block combination | C-84 | Diode (for dim-dip lamp circuit) |
| C-73 | Defogger relay | C-86 | Air bag module (Squib) (Passenger's side) |
| C-74 | Front blower motor relay | C-89 | Immobilizer-ECU |
| C-75 | Front wiring harness and junction block combination | C-90 | - |
| C-76 | Front wiring harness and junction block combination | C-91 | Fuel pump relay |
| C-77 | Buzzer-ECU | C-92 | ETACS-ECU |
| C-78 | Roof wiring harness and junction block combination | C-93 | Diagnosis connector |
| C-81 | Diode (for dim-dip lamp circuit) | C-94 | Engine-ECU |
| C-82 | Front wiring harness and instrument panel wiring harness combination | <u>C-97</u> | Outside air temperature sensor <Dual A/C (MPI)> |

Remark
 Connector numbers in are connector numbers which have been changed or added.

UNDER FLOOR

L.H. drive vehicles

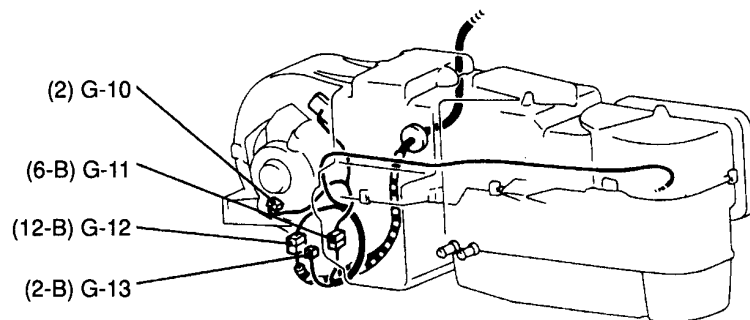


- G-01 Side condenser fan motor
- G-03 Rear A/C magnetic valve <Overhead type A/C>
- G-04** Fuel gauge unit
- G-05 Fuel pump wiring harness and fuel gauge wiring harness combination <Petrol>

- G-06 Fuel pump <Petrol>
- G-07 Rear wheel speed sensor (RH) <ABS>
- G-08 Rear wheel speed sensor (LH) <ABS>
- G-09 Rear A/C magnetic valve <Built-in type A/C>



Built-in type rear heater and A/C unit assembly



36W0440

36W0069

00008661

- G-10 Rear blower motor
- G-11 Rear blower wiring harness and rear A/C wiring harness combination
- G-12 Rear blower wiring harness and rear heater wiring harness combination

G-13 Rear air thermo sensor <A/C>

Remark

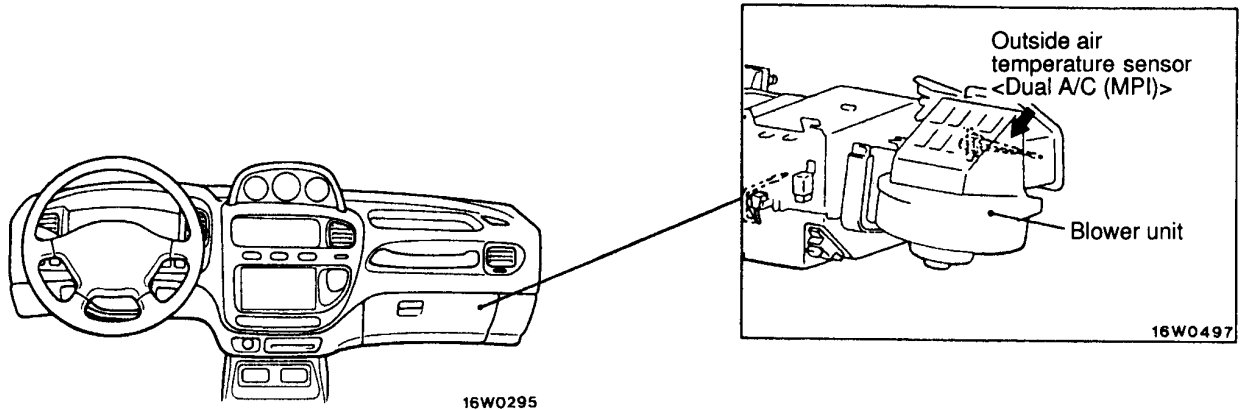
Connector numbers in are connector numbers which have been changed or added.

SINGLE PART INSTALLATION POSITION

CONTENTS

SENSOR 3-2

SENSOR



16W0295

00008662

CIRCUIT DIAGRAM

CONTENTS

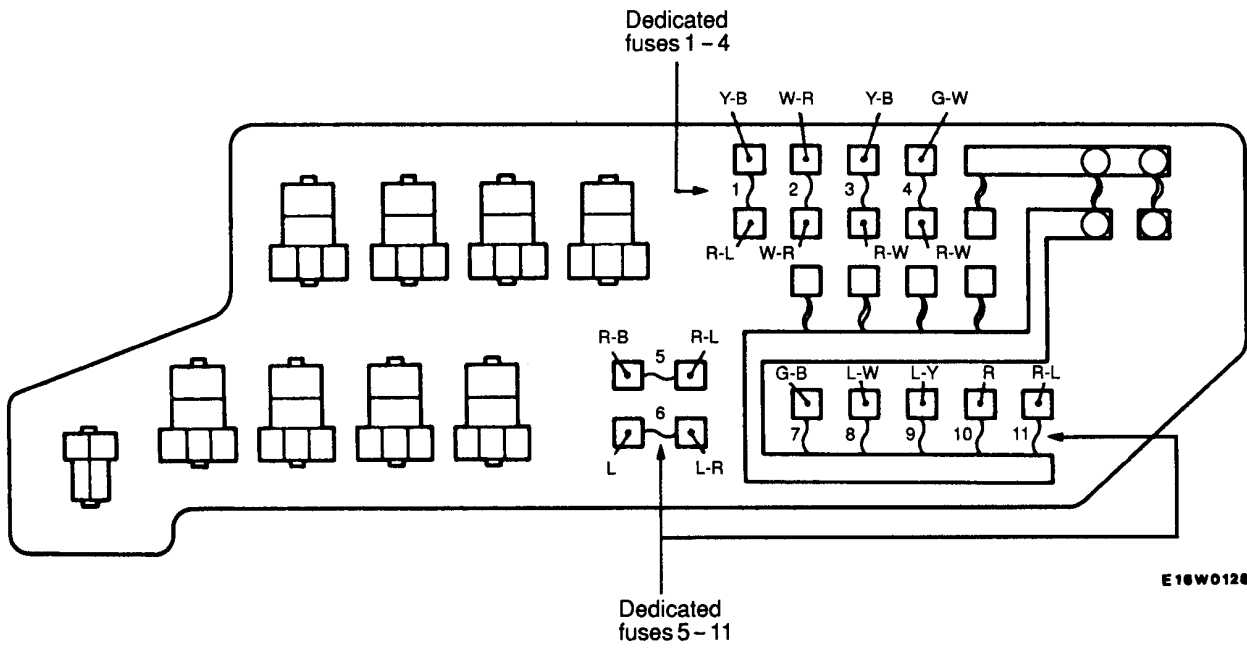
CENTRALIZED JUNCTION	4-2	FUEL WARNING LAMP	
POWER DISTRIBUTION SYSTEM		L.H. drive vehicles	4-52
L.H. drive vehicles	4-6	MULTI-METER	4-53
R.H. drive vehicles	4-12	CENTRAL DOOR LOCKING SYSTEM	4-54
STARTING SYSTEM		DUAL AIR CONDITIONER	
Petrol-powered vehicles	4-18	Overhead type <MPI>	4-58
Diesel-powered vehicles	4-19	Overhead type <Diesel>	4-66
GLOW SYSTEM	4-20	Built-in type	4-72
MPI SYSTEM		ANTI-SKID BRAKING SYSTEM (ABS)	
L.H. drive vehicles	4-22	L.H. drive vehicles <2WD>	4-80
R.H. drive vehicles	4-30	L.H. drive vehicles <4WD>	4-84
HEADLAMP		R.H. drive vehicles	4-90
L.H. drive vehicles with daytime running lamp	4-38	SUPPLEMENTAL RESTRAINT SYSTEM (SRS)	4-94
L.H. drive vehicles without daytime running lamp	4-42	LIGHTING MONITOR BUZZER	
R.H. drive vehicles	4-44	L.H. drive vehicles	4-96
IGNITION KEY CYLINDER ILLUMINATION LAMP		R.H. drive vehicles	4-98
With ETACS	4-46	IMMOBILIZER SYSTEM	
Without ETACS	4-47	Petrol-powered vehicles	4-100
METER AND GAUGE		Diesel-powered vehicles	4-102
L.H. drive vehicles	4-48		

CENTRALIZED JUNCTION

DEDICATED FUSE (Relay box in engine compartment)

L.H. drive vehicles

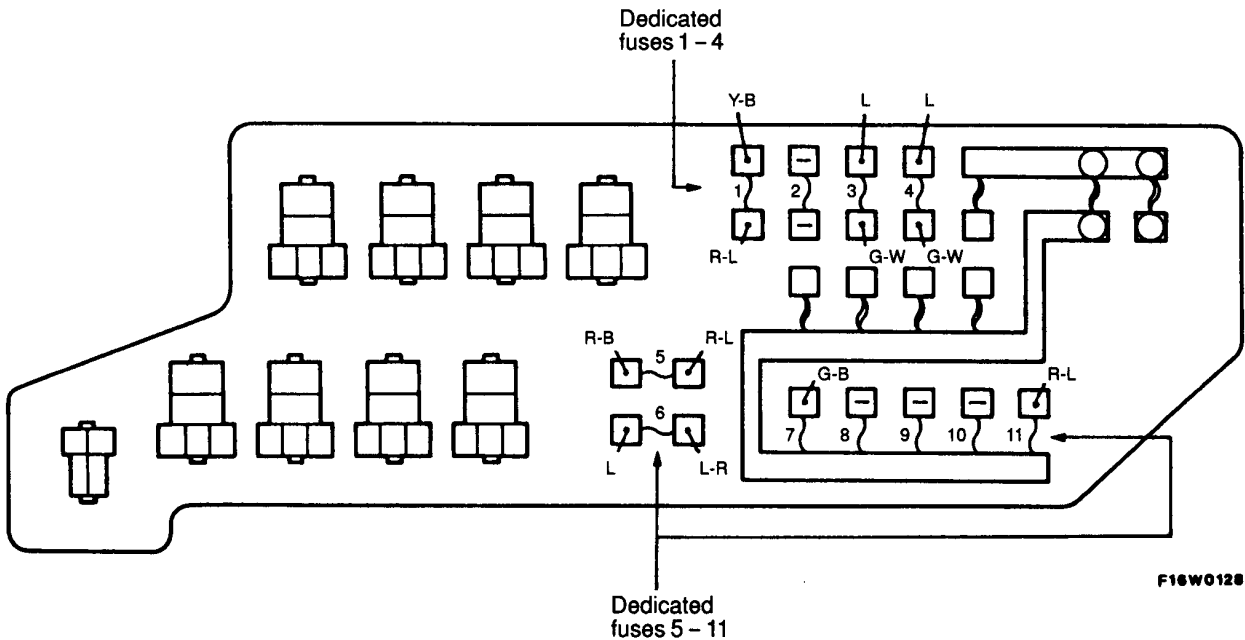
Power supply circuit	No.	Rated capacity (A)	Housing Colour	Circuit
Headlamp relay (Fusible link No. 10)	1	10	Red	High beam indicator circuit
Alternator (Fusible link No. 6)	2	10	Red	A/C compressor circuit
Battery/Alternator (Fusible link No. 10)	3	10	Red	Tail lamp and illumination circuit
	4	10	Red	Tail lamp and illumination circuit
Battery/Alternator (Fusible link No. 6)	5	10	Red	Clock, radio, room lamp, ignition key cylinder illumination lamp, speedometer circuit and ECU power supply circuit
Ignition switch (ACC)	6	15	Blue	Accessory socket, clock and radio circuit
Battery (Fusible link No. 3)/ Alternator (Fusible link No. 5)	7	10	Red	Stop lamp circuit
	8	30	Green	Front condenser fan motor circuit
	9	15	Blue	Side condenser fan motor circuit
	10	15	Blue	Fuel line heater circuit
	11	10	Red	Hazard warning lamp circuit



E16W0126

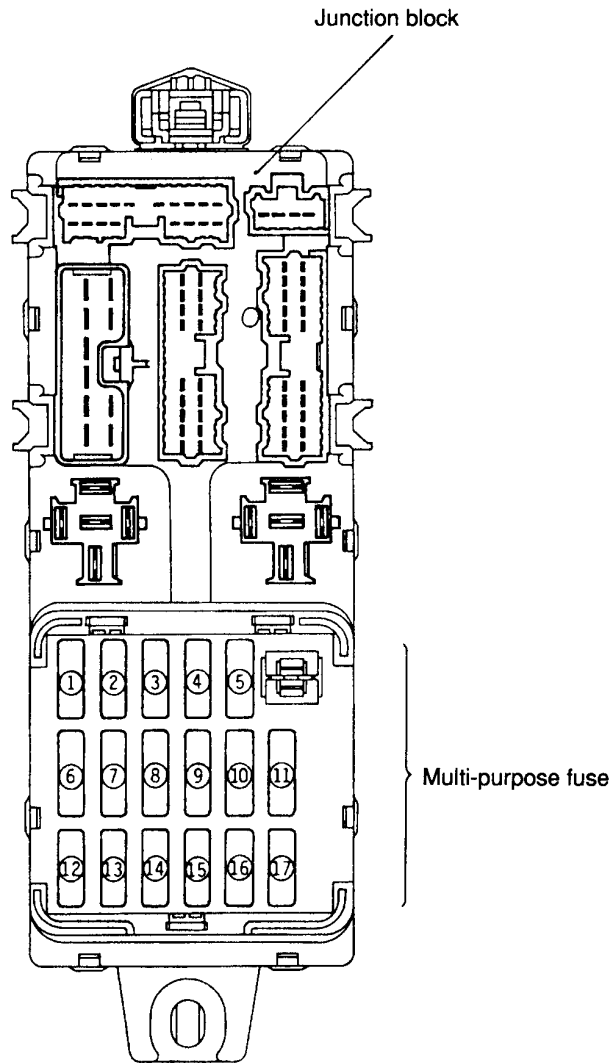
R.H. drive vehicles

Power supply circuit	No.	Rated capacity (A)	Housing Colour	Circuit
Headlamp relay (Fusible link No. 10)	1	10	Red	High beam indicator circuit
Alternator (Fusible link No. 6)	2	-	-	-
Battery/Alternator (Fusible link No. 10)	3	10	Red	Tail lamp and illumination circuit
	4	10	Red	Tail lamp and illumination circuit
Battery/Alternator (Fusible link No. 6)	5	10	Red	Radio, room lamp, ignition key cylinder illumination lamp, speedometer circuit and ECU power supply circuit
Ignition switch (ACC)	6	15	Blue	Radio circuit
Battery (Fusible link No. 3)/ Alternator (Fusible link No. 5)	7	10	Red	Stop lamp circuit
	8	-	-	-
	9	-	-	-
	10	-	-	-
	11	10	Red	Hazard warning lamp circuit



MULTI-PURPOSE FUSE (in junction block)

Power supply circuit	No.	Rated capacity (A)	Housing colour	Load circuit	
Battery	1	20	Yellow	A/C-ECU <built-in type A/C>, overhead cooling unit, rear blower motor <rear heater> and rear A/C magnetic valve <built-in type A/C>	
Ignition switch	IG2	2	10	Red	ABS-ECU and ABS G sensor <4WD>
	IG1	3	10	Red	Back-up lamp, vehicles speed sensor, overdrive control relay and engine oil level relay
	IG1	4	10	Red	SRS-ECU, turn-signal and hazard warning flasher unit
Battery	5	20	Yellow	Accessory socket	
	6	20	Yellow	Defogger	
Ignition switch	IG2	7	15	Blue	Heated seat
	IG1	8	10	Red	Buzzer-ECU, combination meter, fuel line heater, SRS-ECU, steering wheel sensor and sunroof-ECU
	ACC	9	20	Yellow	Intermittent wiper relay, washer motor and wiper motor
Battery	10	15	Blue	ETACS-ECU, door lock relay and diagnosis connector	
	11	25	Transparent	Front blower motor	
Ignition switch	ACC	12	10	Red	Horn and horn relay <SRS>
	IG2	13	10	Red	A/C-ECU, A/C thermostat, overhead cooling unit, defogger relay, sunshade relay, power window relay, multi-meter, 4WD indicator-ECU, front A/C switch, front condenser fan motor relay <single A/C (4D56)>, front blower motor relay, front A/C magnetic valve, rear heater switch, rear blower motor relay, rear A/C magnetic valve <under seat type A/C>, DRL relay 1, dim-dip lamp relay and headlamp washer relay
	ACC	14	15	Blue	Cigarette lighter, rear wiper motor and remote controlled mirror
Battery	15	10	Red	Overdrive control relay	
	16	-	-	-	
	17	-	-	-	

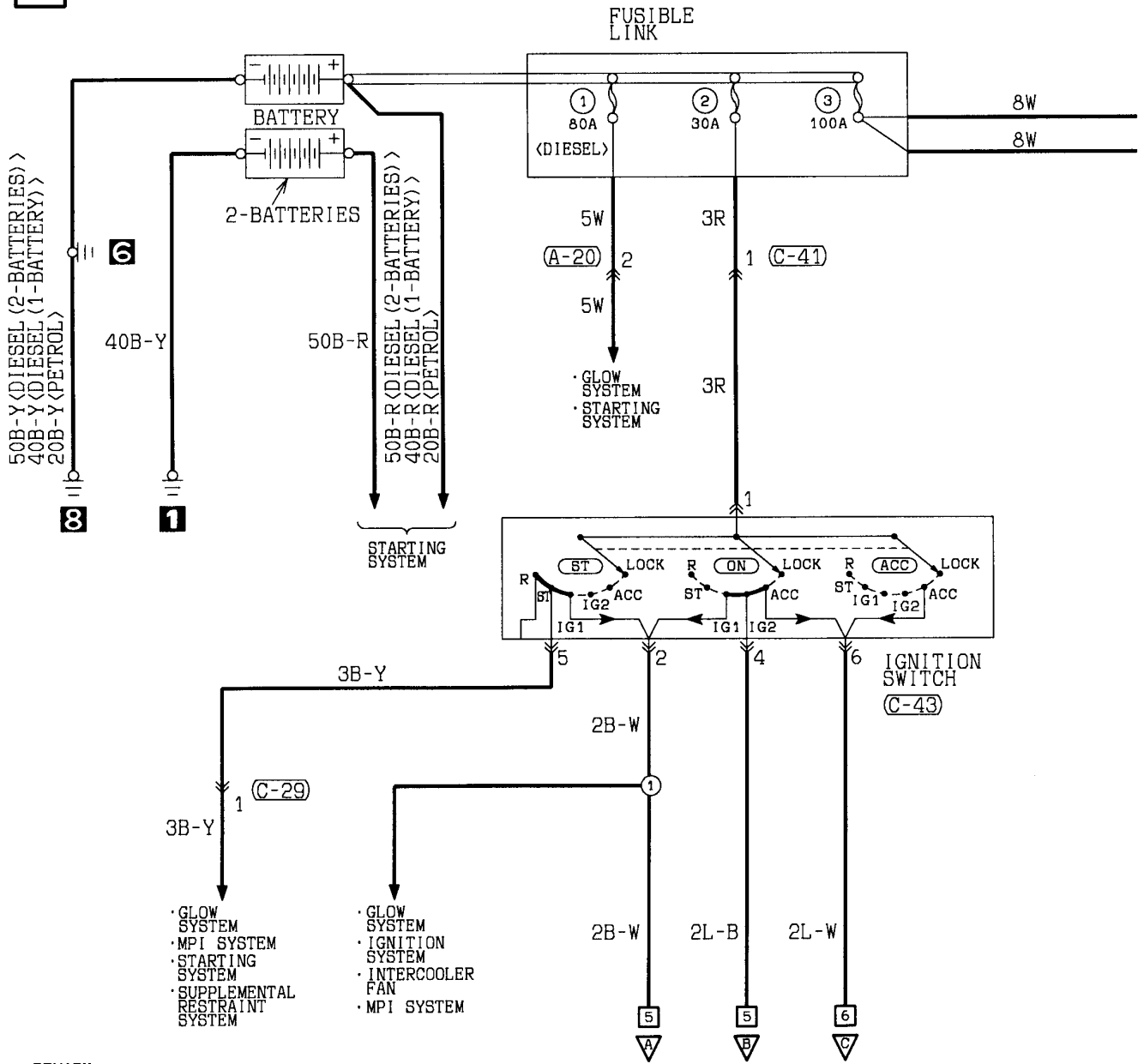


C16X0078

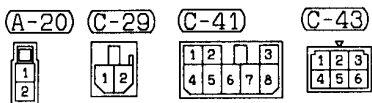
POWER DISTRIBUTION SYSTEM

L.H. drive vehicles

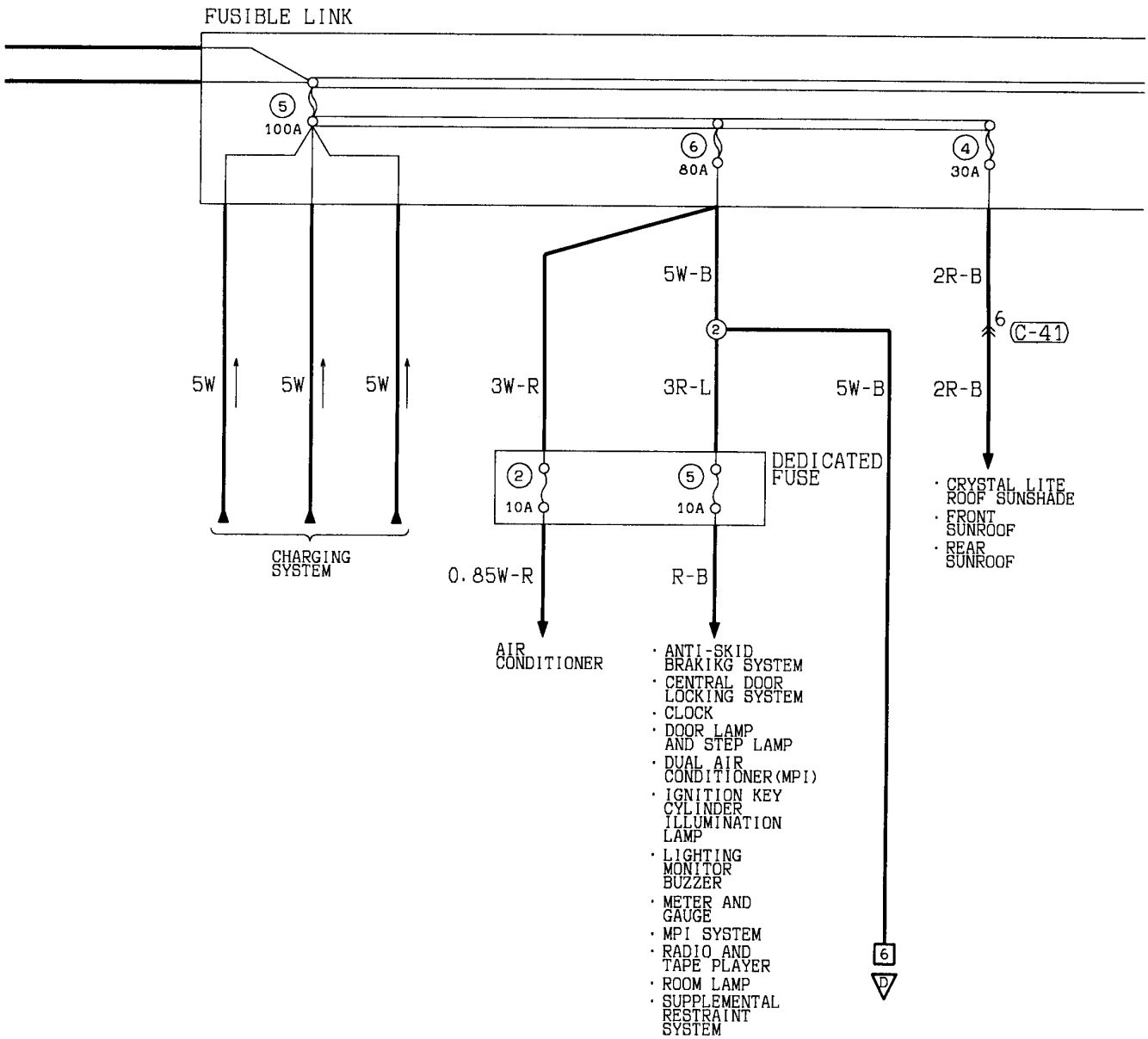
1



REMARK
 THE ABOVE CIRCUIT DIAGRAM SHOWS THE CURRENT FLOW AT THE IGNITION KEY POSITION "ACC", "ON" AND "ST" COMBINED. BE SURE TRACE THE APPROPRIATE CIRCUIT DEPENDING ON THE IGNITION KEY POSITION.



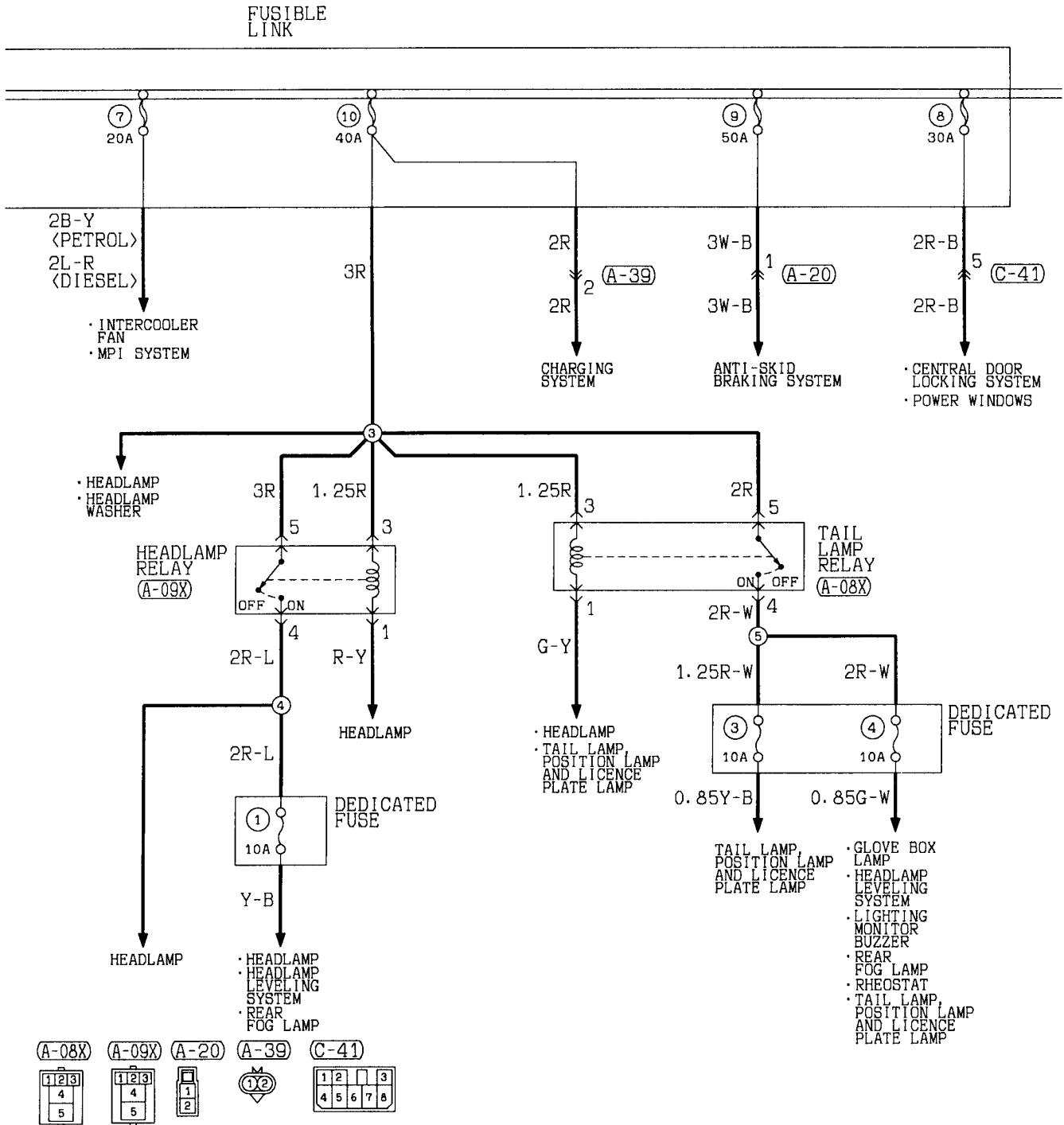
2



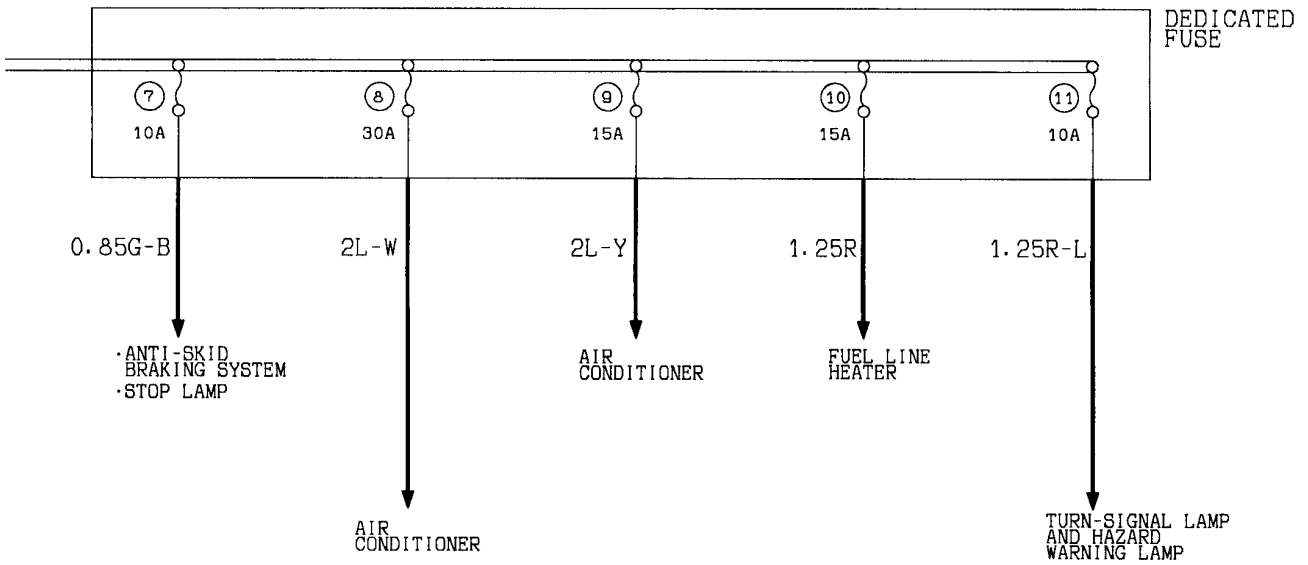
Wire colour code
 B : Black LG: Light green G : Green L : Blue W : White Y : Yellow SB: Sky blue
 BR: Brown O : Orange GR: Gray R : Red P : Pink V : Violet

POWER DISTRIBUTION SYSTEM <L.H. drive vehicles> (CONTINUED)

3



4

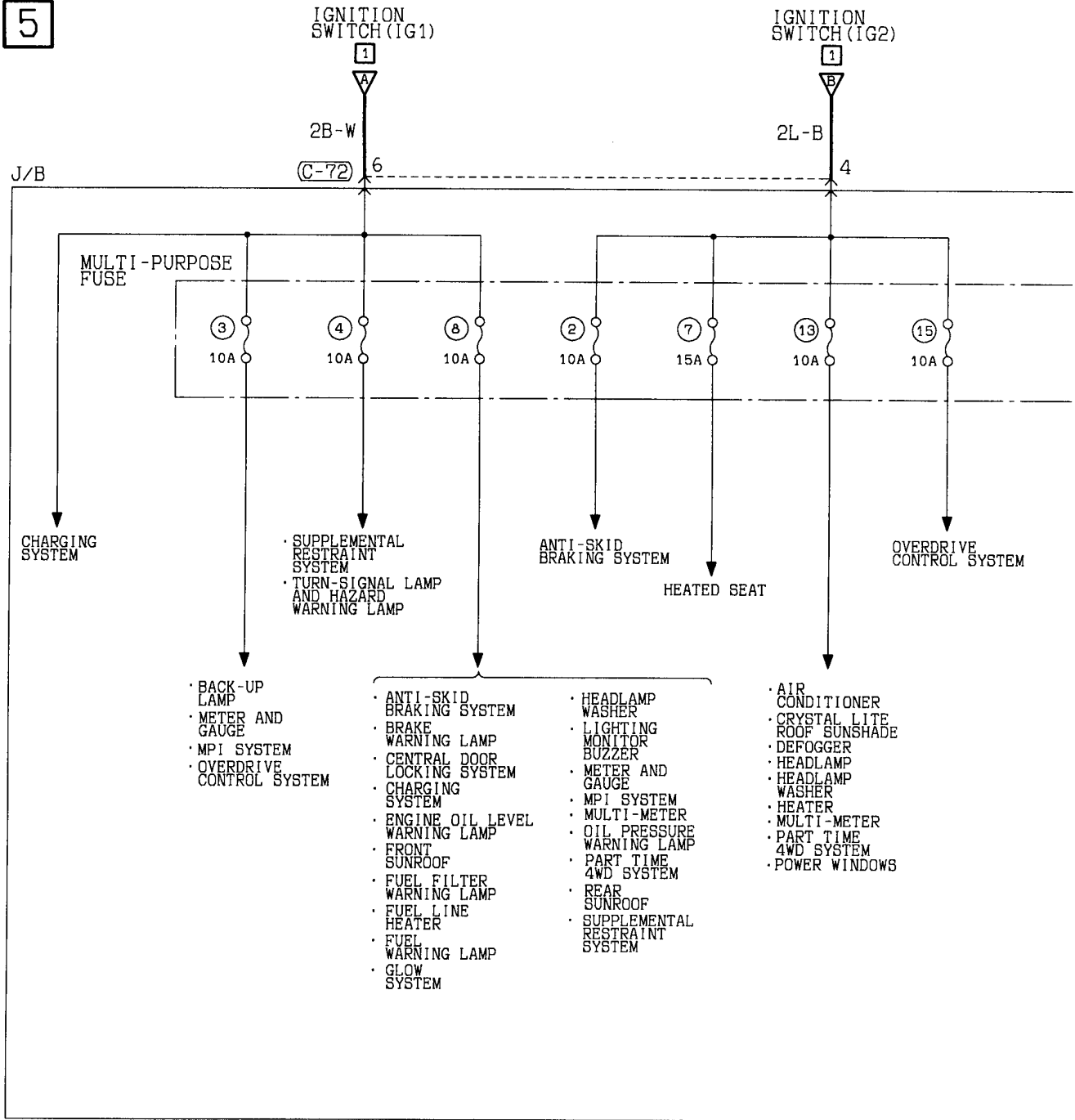


Wire colour code

B :Black LG:Light green G :Green L :Blue W :White Y :Yellow SB:Sky blue
BR:Brown O :Orange GR:Gray R :Red P :Pink V :Violet

POWER DISTRIBUTION SYSTEM <L.H. drive vehicles> (CONTINUED)

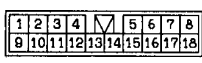
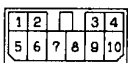
5



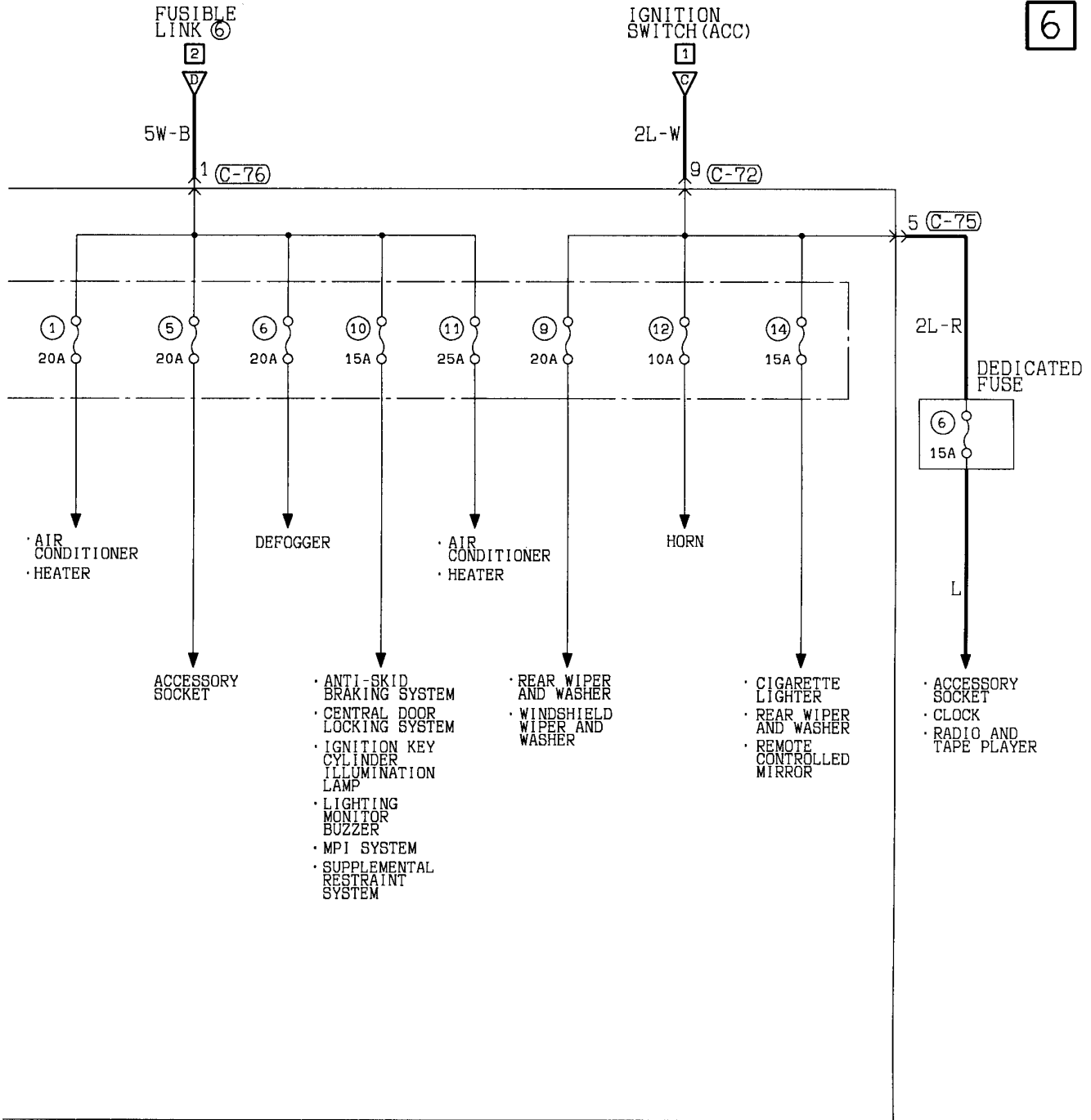
(C-72)

(C-75)

(C-76)



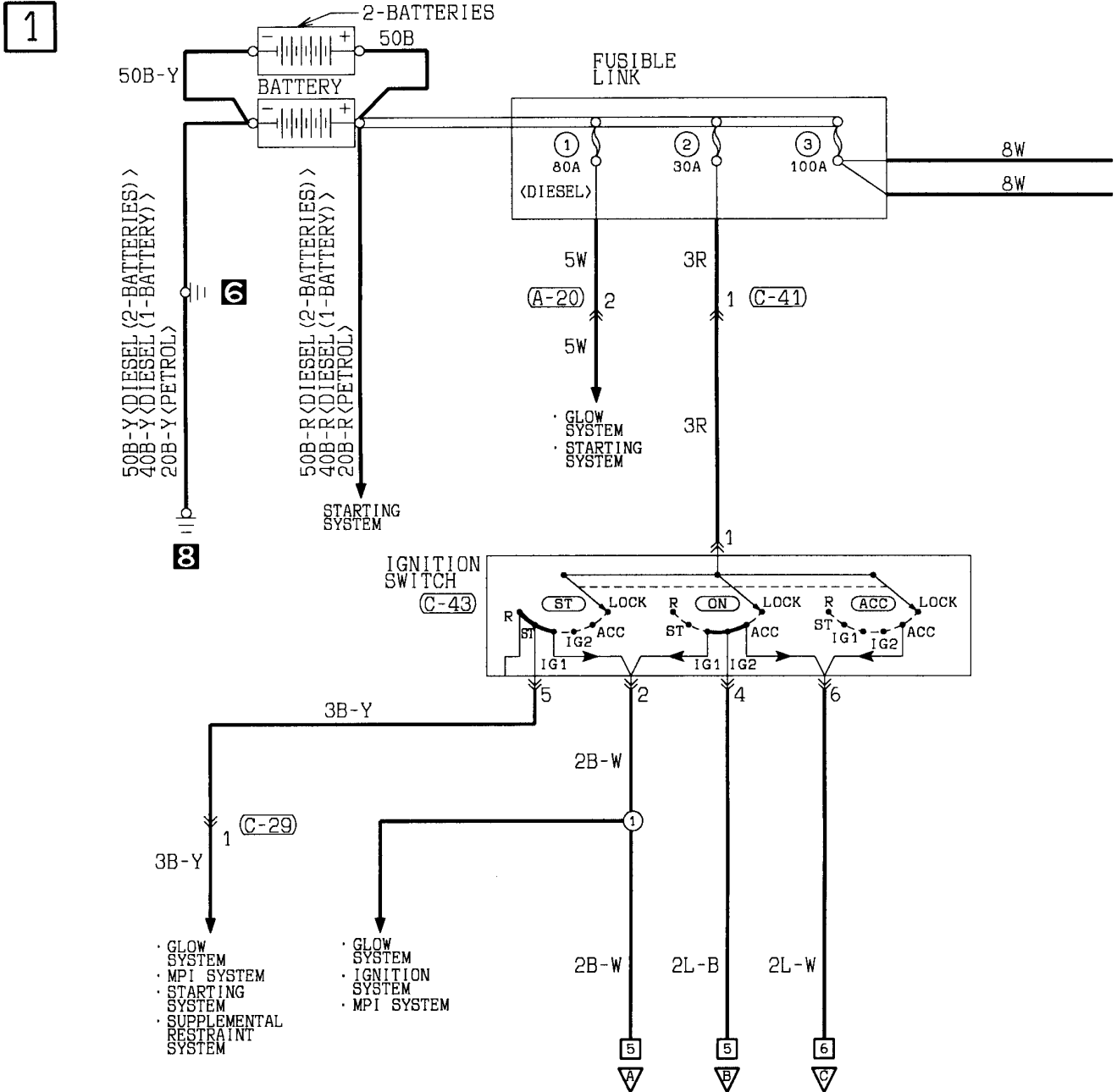
6



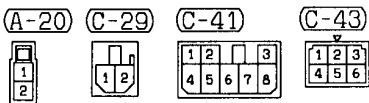
Wire colour code
 B:Black LG:Light green G:Green L:Blue W:White Y:Yellow SB:Sky blue
 BR:Brown O:Orange GR:Gray R:Red P:Pink V:Violet

POWER DISTRIBUTION SYSTEM

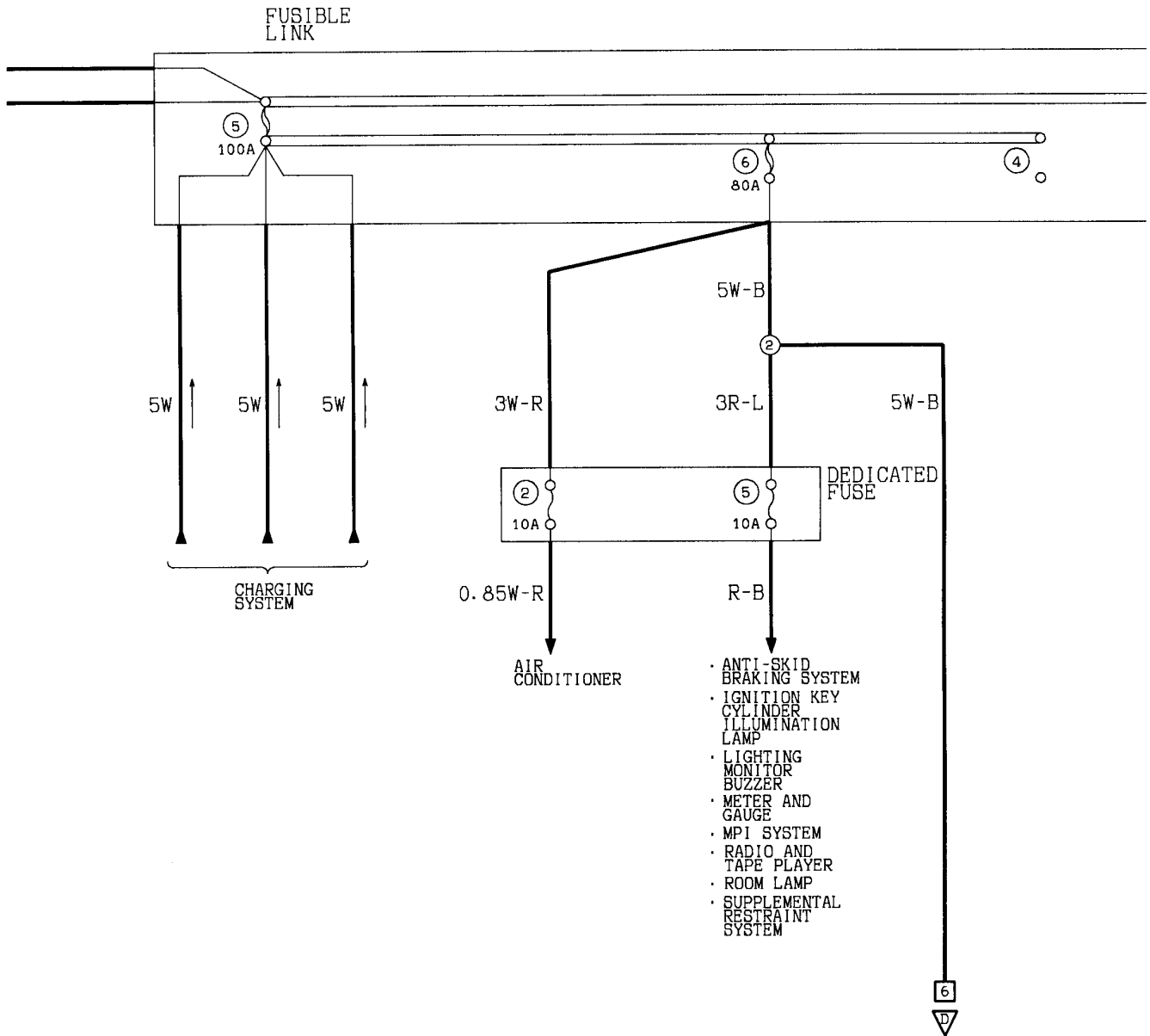
R.H. drive vehicles



REMARK
 THE ABOVE CIRCUIT DIAGRAM SHOWS THE CURRENT FLOW AT THE IGNITION KEY POSITION "ACC", "ON" AND "ST" COMBINED. BE SURE TRACE THE APPROPRIATE CIRCUIT DEPENDING ON THE IGNITION KEY POSITION.



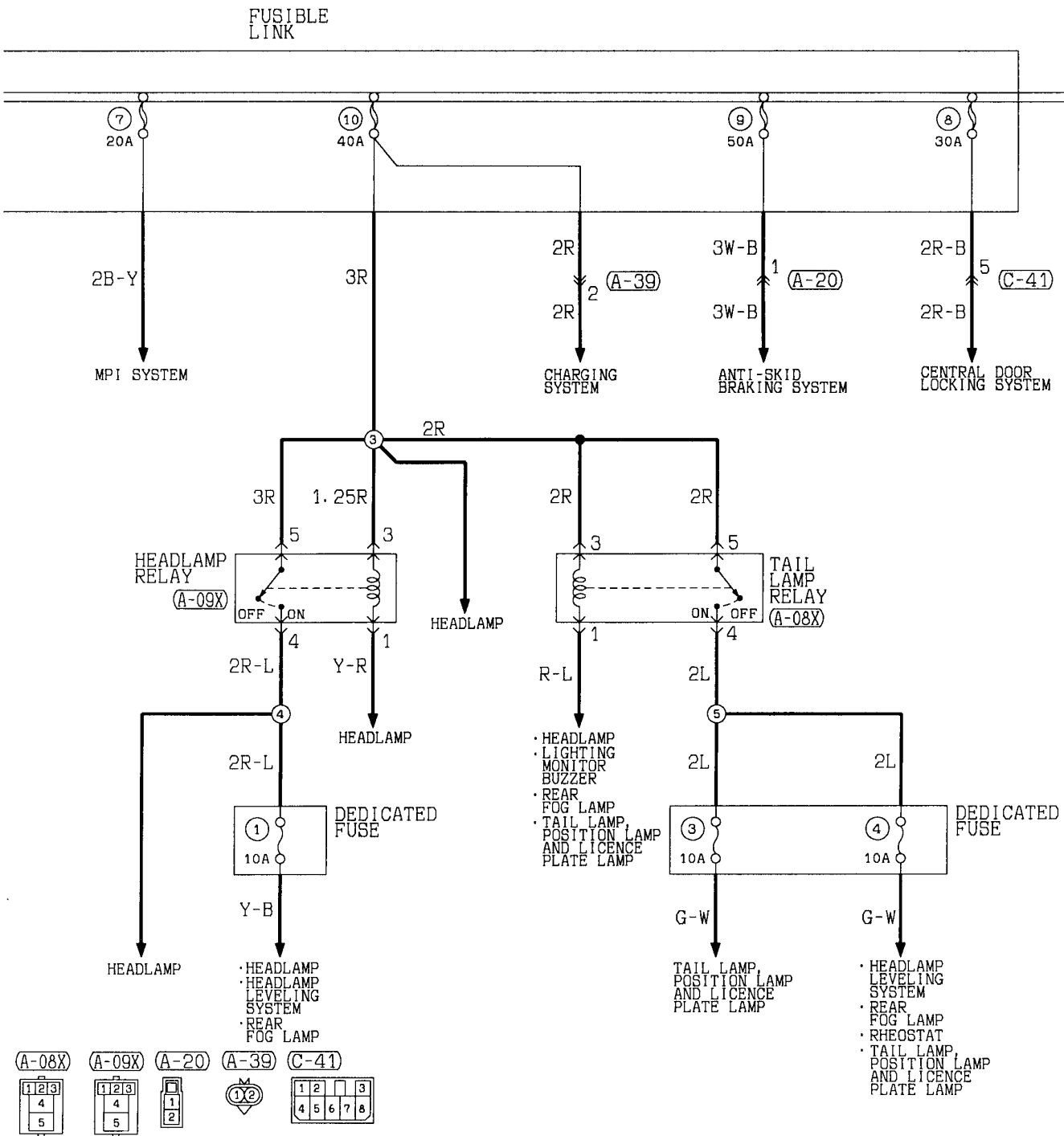
2



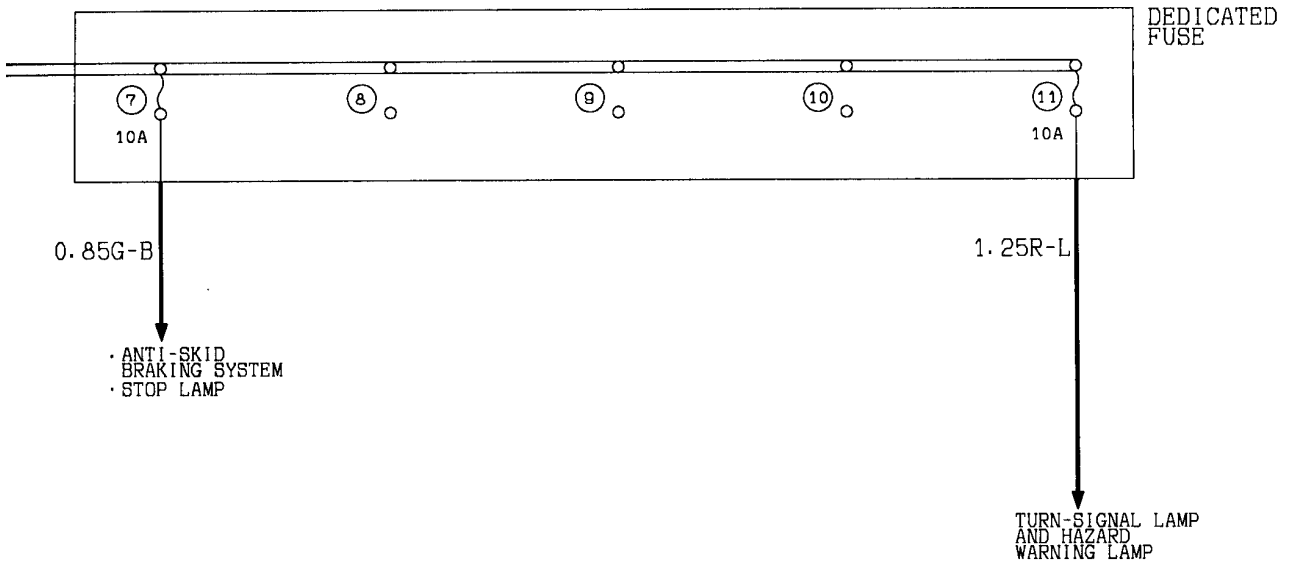
Wire colour code
 B :Black LG:Light green G :Green L :Blue W :White Y :Yellow SB:Sky blue
 BR:Brown O :Orange GR:Gray R :Red P :Pink V :Violet

POWER DISTRIBUTION SYSTEM <R.H. drive vehicles> (CONTINUED)

3



4

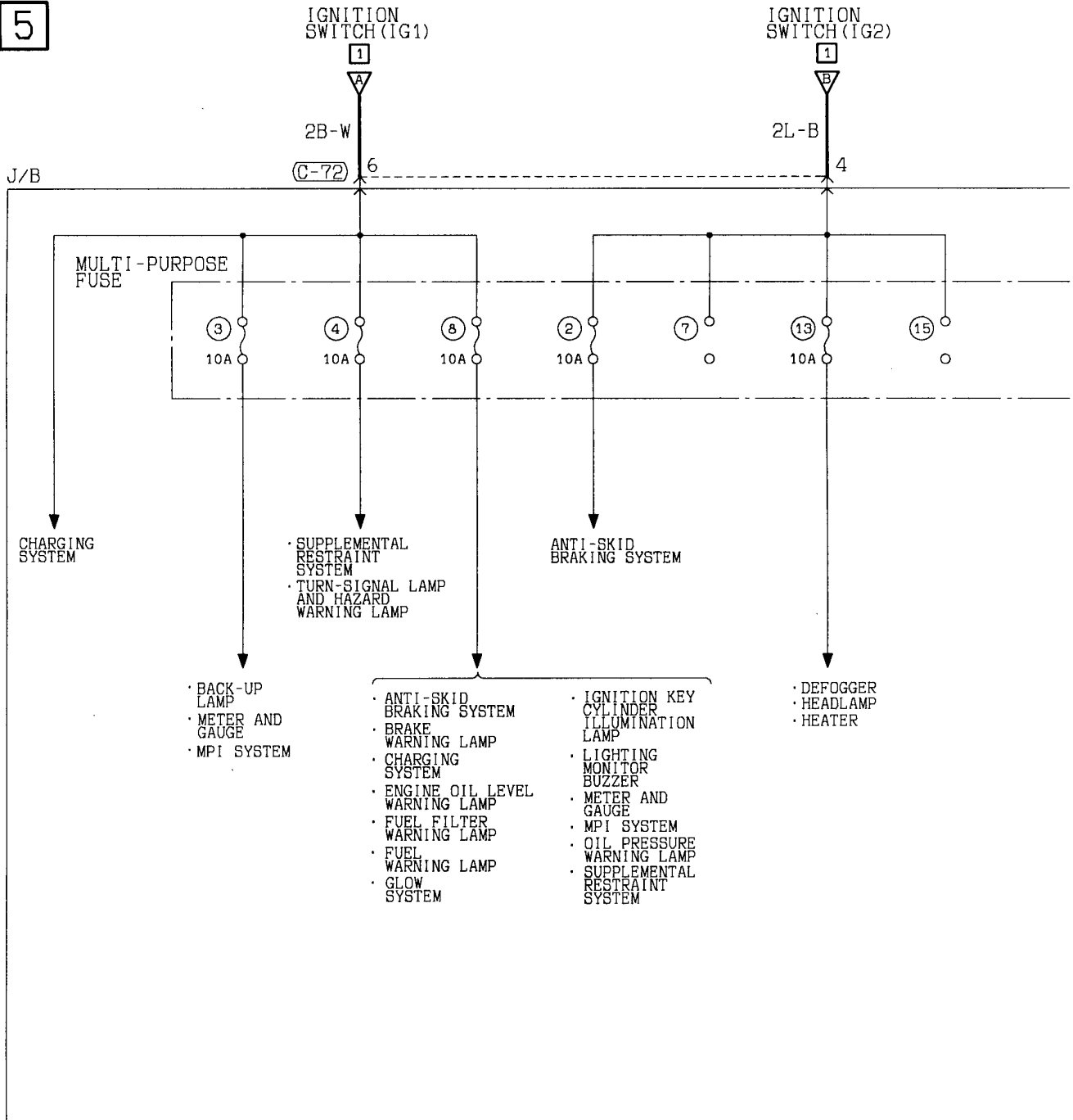


Wire colour code

B :Black LG:Light green G :Green L :Blue W :White Y :Yellow SB:Sky blue
 BR:Brown O :Orange GR:Gray R :Red P :Pink V :Violet

POWER DISTRIBUTION SYSTEM <R.H. drive vehicles> (CONTINUED)

5



(C-72)

(C-75)

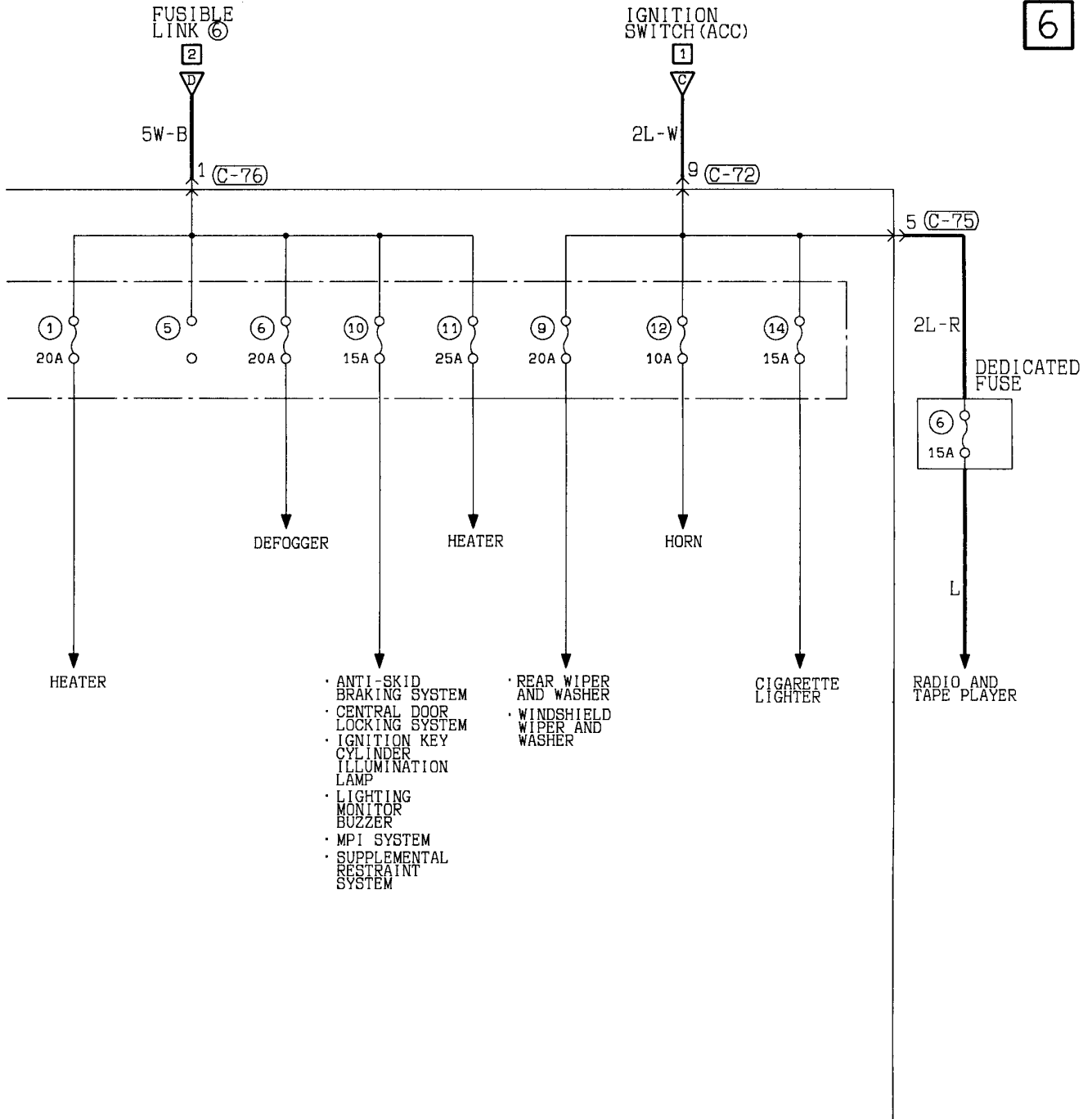
(C-76)

1	2	3	4
5	6	7	8

1	2	3	4	5	6	7	8
9	10	11	12	13	14	15	16

1

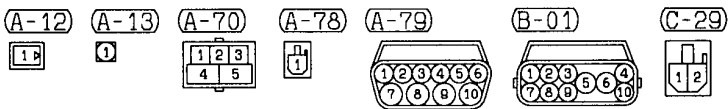
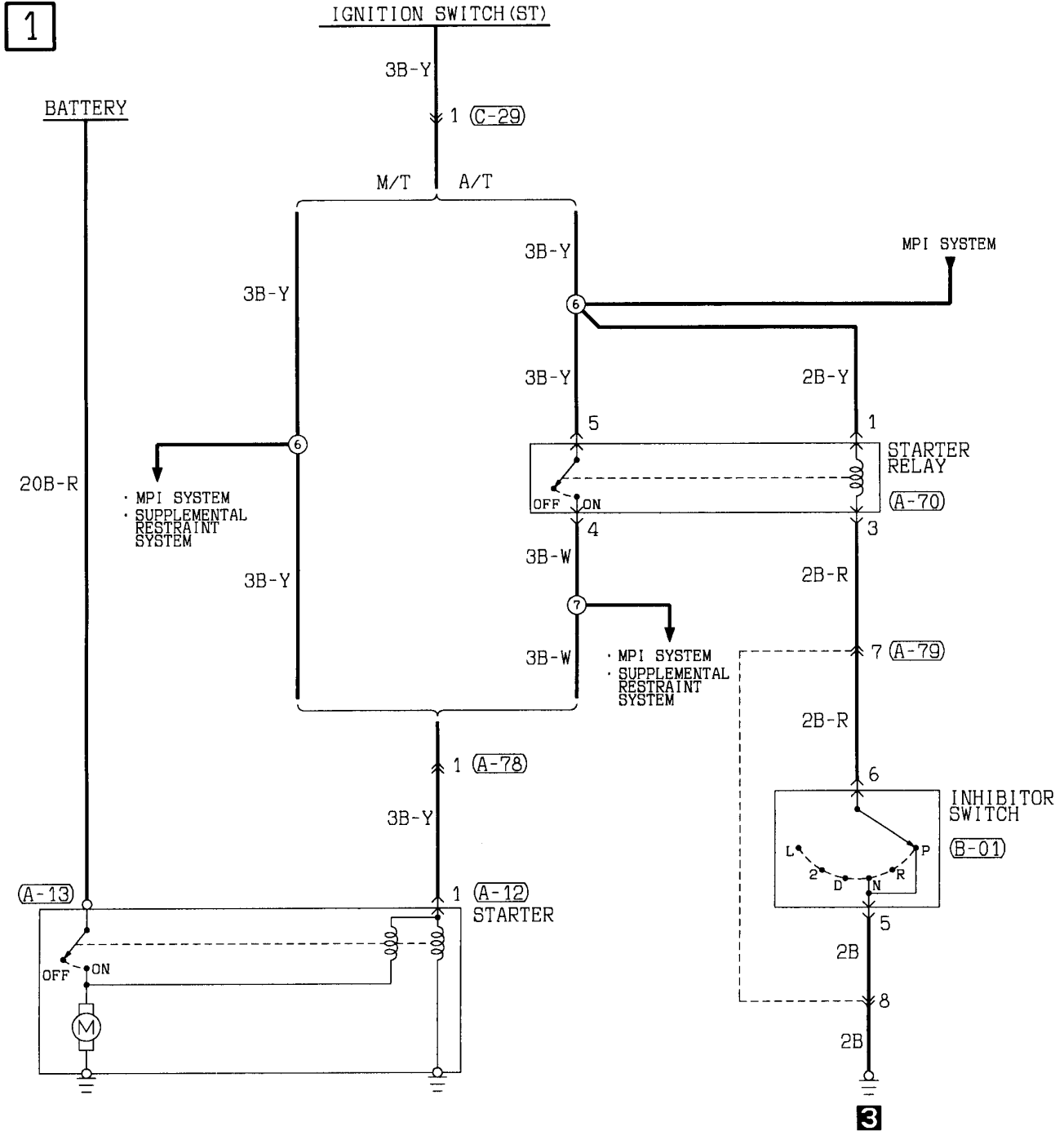
6



Wire colour code
 B :Black LG:Light green G :Green L :Blue W :White Y :Yellow SB:Sky blue
 BR:Brown O :Orange GR:Gray R :Red P :Pink V :Violet

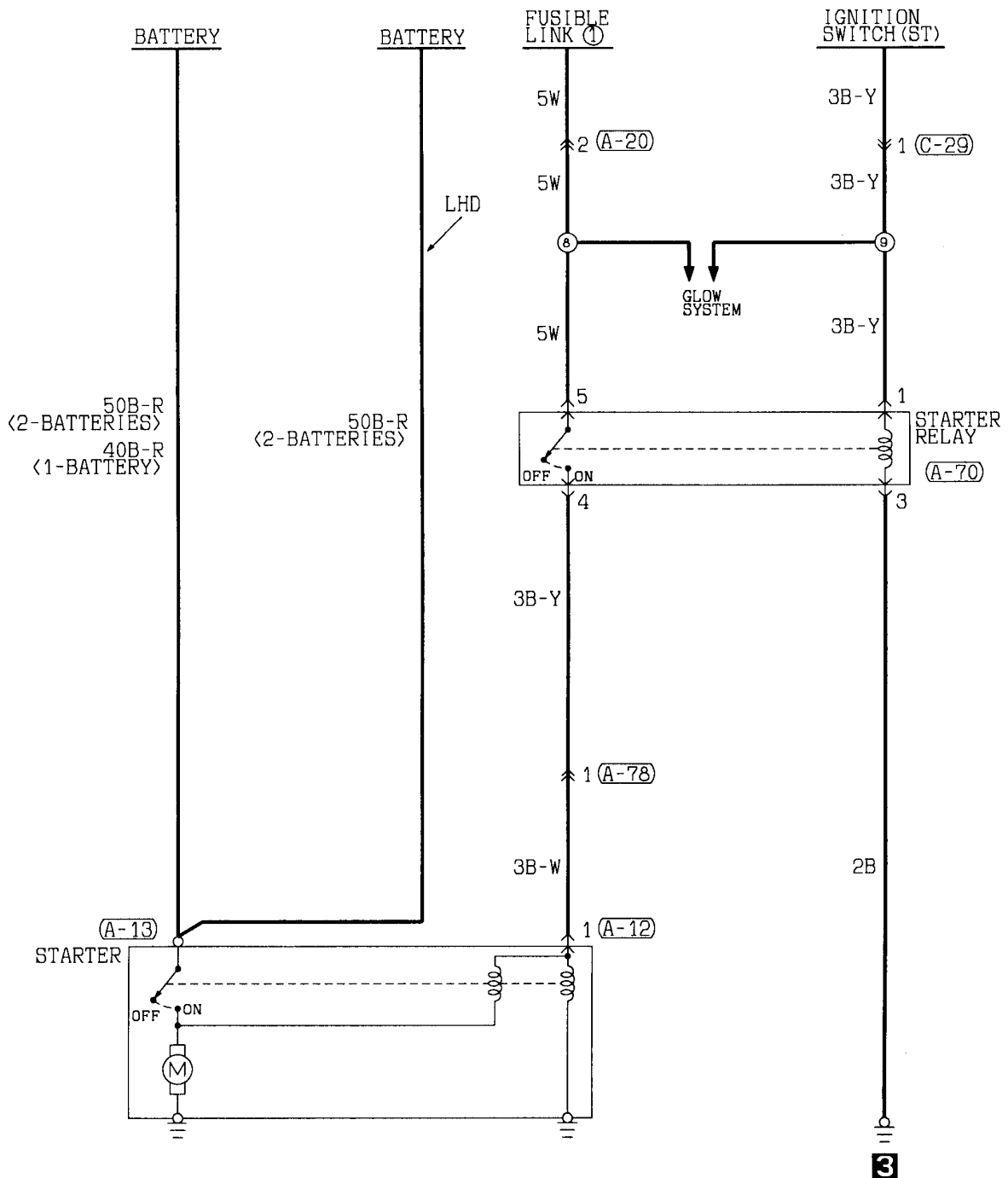
STARTING SYSTEM

Petrol-powered vehicles

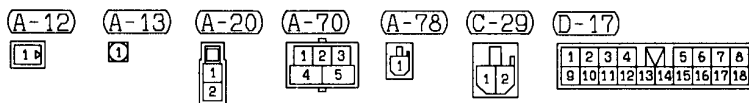


Wire colour code
 B :Black LG:Light green G :Green L :Blue W :White Y :Yellow SB:Sky blue
 BR:Brown O :Orange GR:Gray R :Red P :Pink V :Violet

STARTING SYSTEM
Diesel-powered vehicles



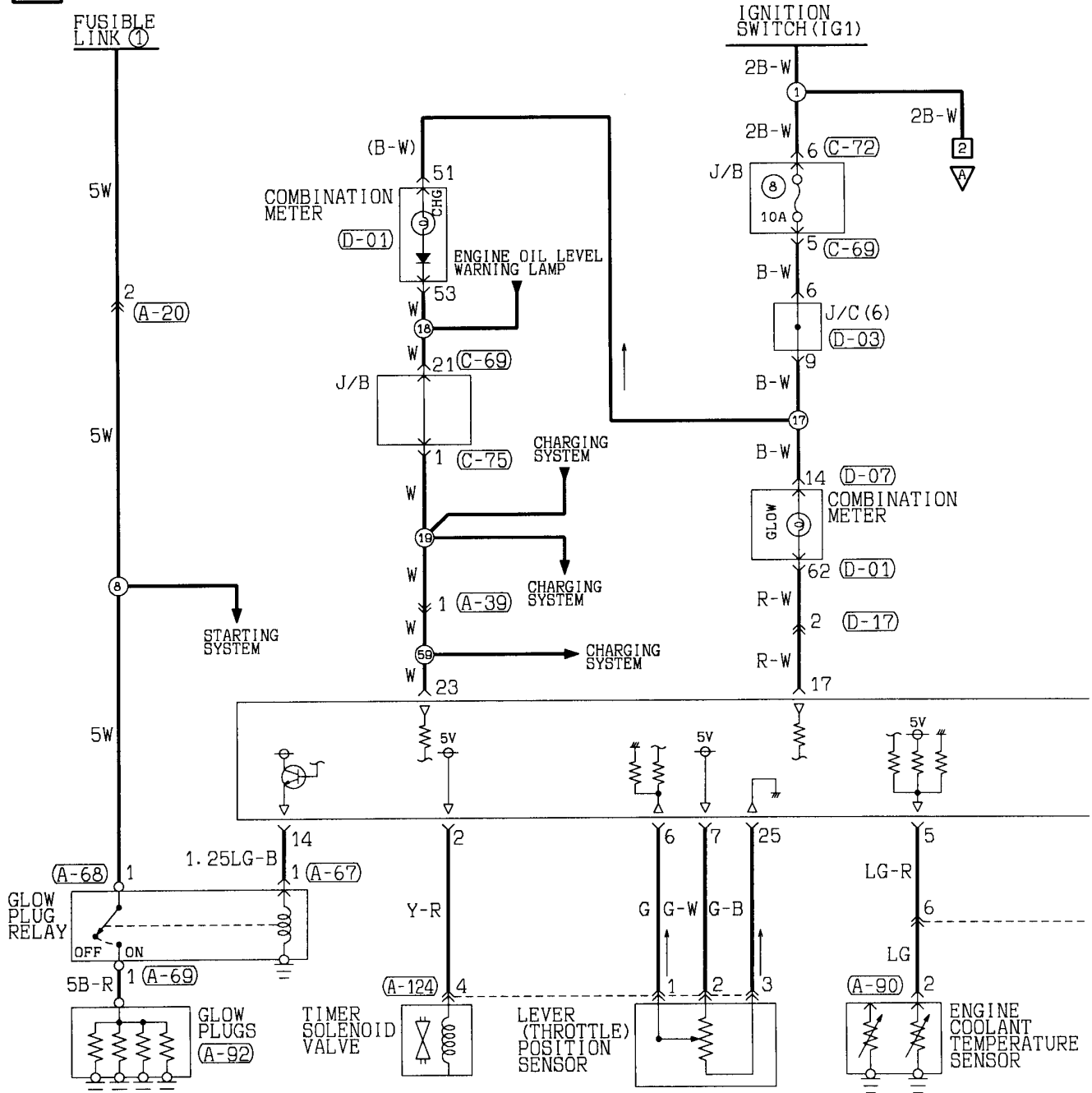
1



Wire colour code
 B :Black LG:Light green G :Green L :Blue W :White Y :Yellow SB:Sky blue
 BR:Brown O :Orange GR:Gray R :Red P :Pink V :Violet

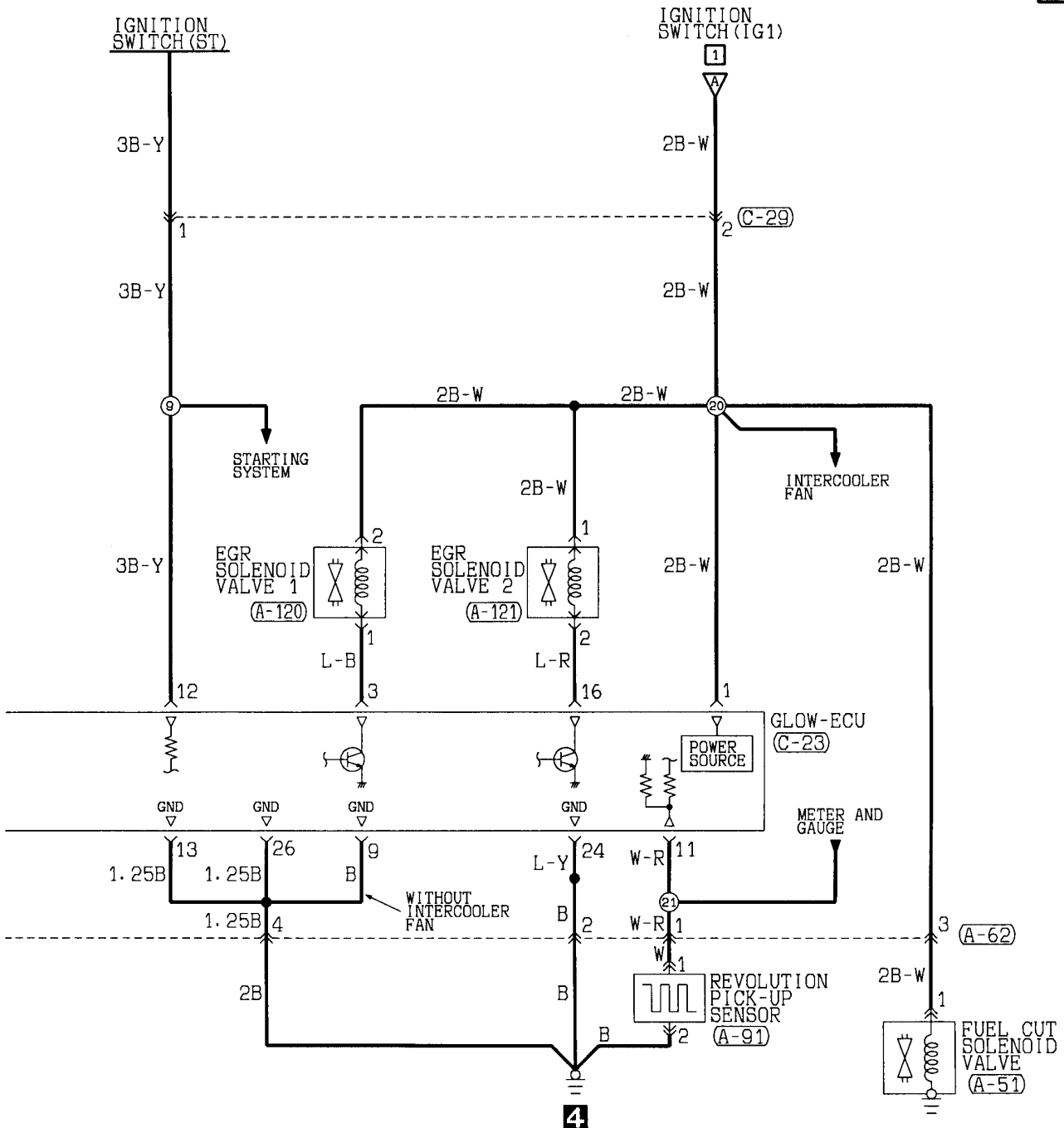
GLOW SYSTEM

1

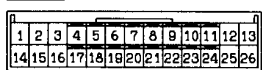


- A-20
 - A-39
 - A-51
 - A-62
 - A-67
 - A-68
 - A-69
 - A-90
 - A-91
 - A-92
 - A-120
 - A-121
 - A-124
- D-03
 - D-07
 - D-17

2



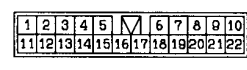
C-23



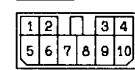
C-29



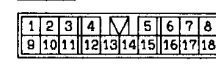
C-69



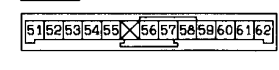
C-72



C-75



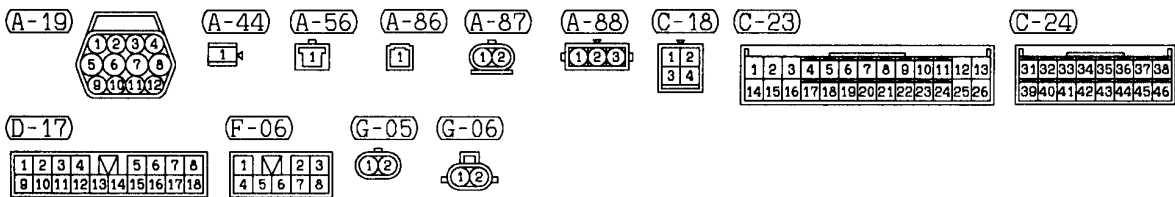
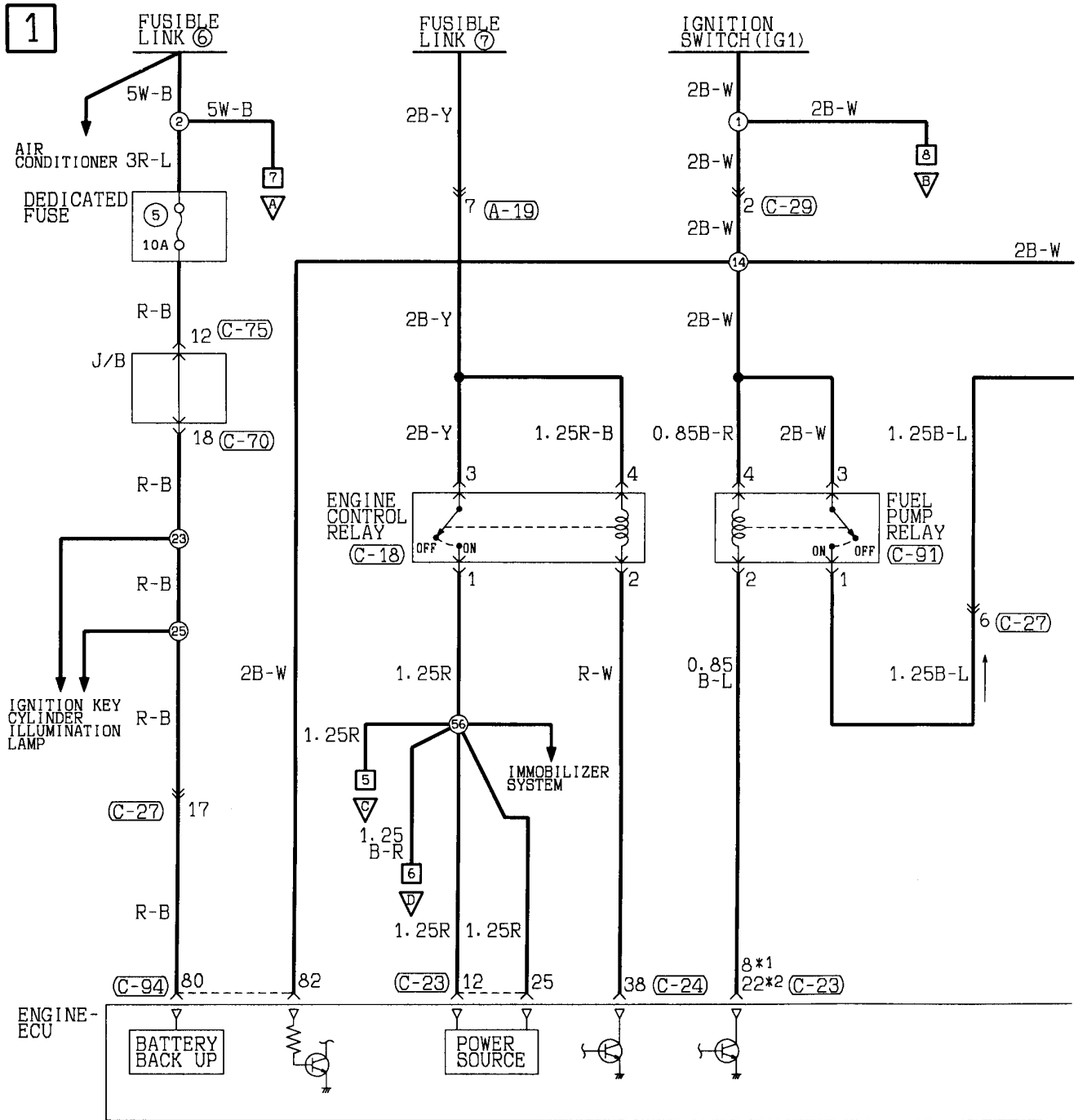
D-01



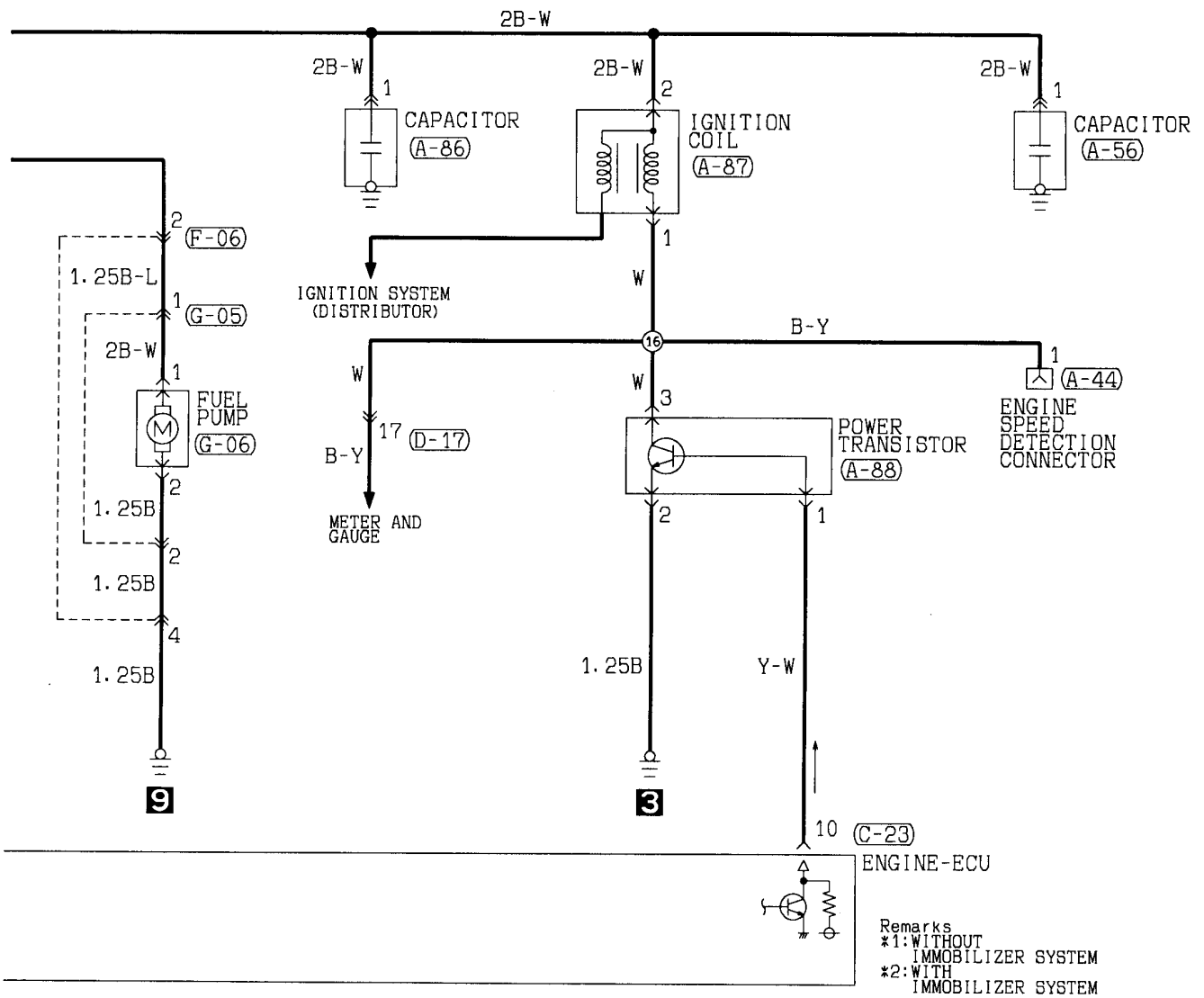
Wire colour code
 B :Black LG:Light green G :Green L :Blue W :White Y :Yellow SB:Sky blue
 BR:Brown O :Orange GR:Gray R :Red P :Pink V :Violet

MPI SYSTEM

L.H. drive vehicles



2



(C-27)

1	2	3	4	5	6	7	8	9	10		
11	12	13	14	15	16	17	18	19	20	21	22

(C-29)

1	2
---	---

(C-70)

1	2	3	4	5	6	7	8		
9	10	11	12	13	14	15	16	17	18

(C-75)

1	2	3	4	5	6	7	8		
9	10	11	12	13	14	15	16	17	18

(C-91)

1	2
3	4

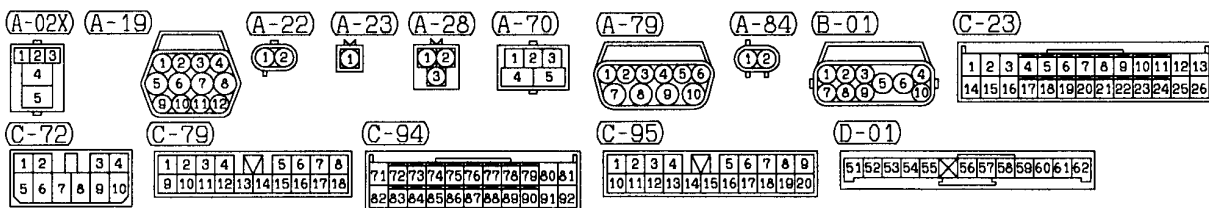
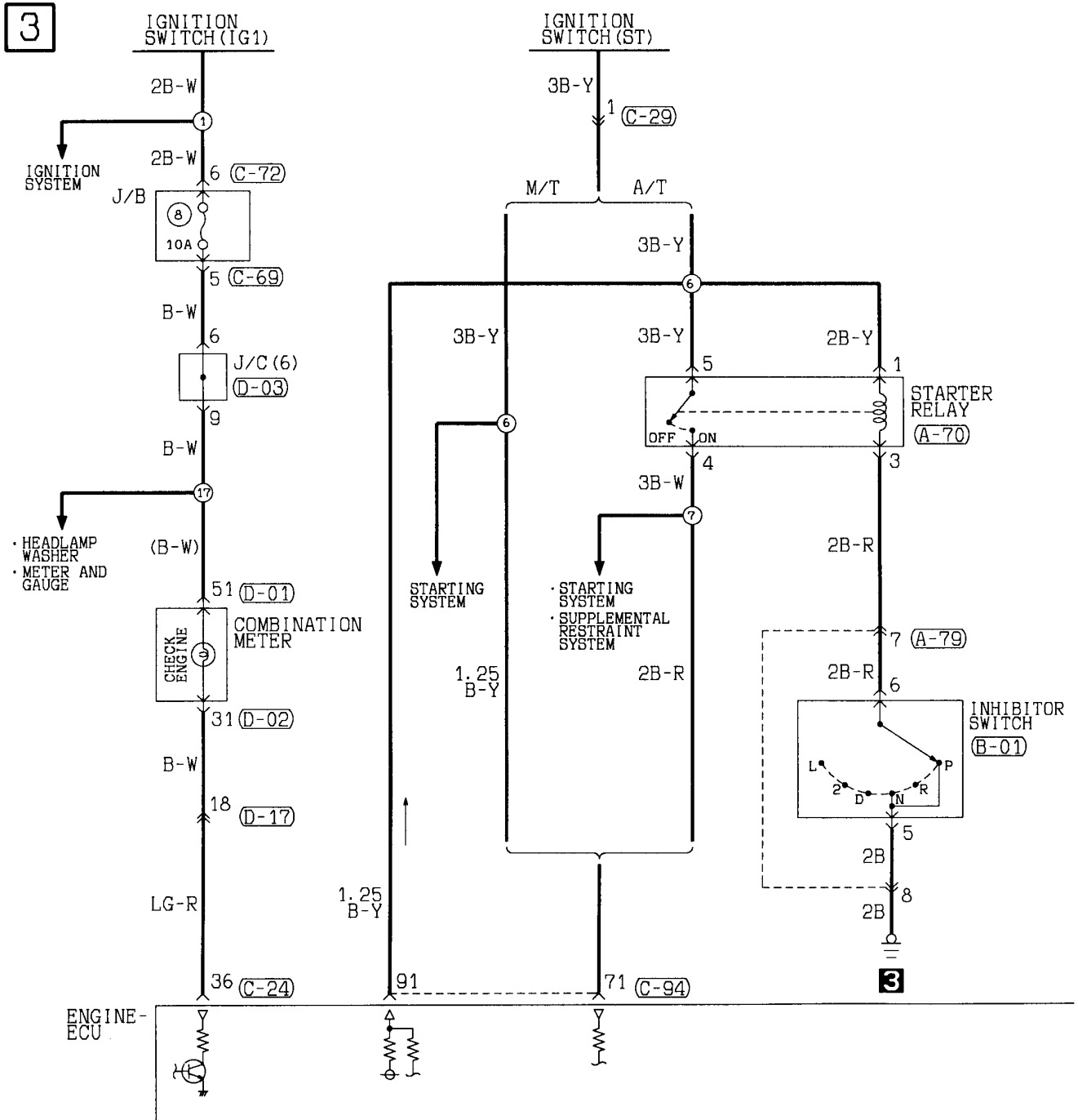
(C-94)

71	72	73	74	75	76	77	78	79	80	81
82	83	84	85	86	87	88	89	90	91	92

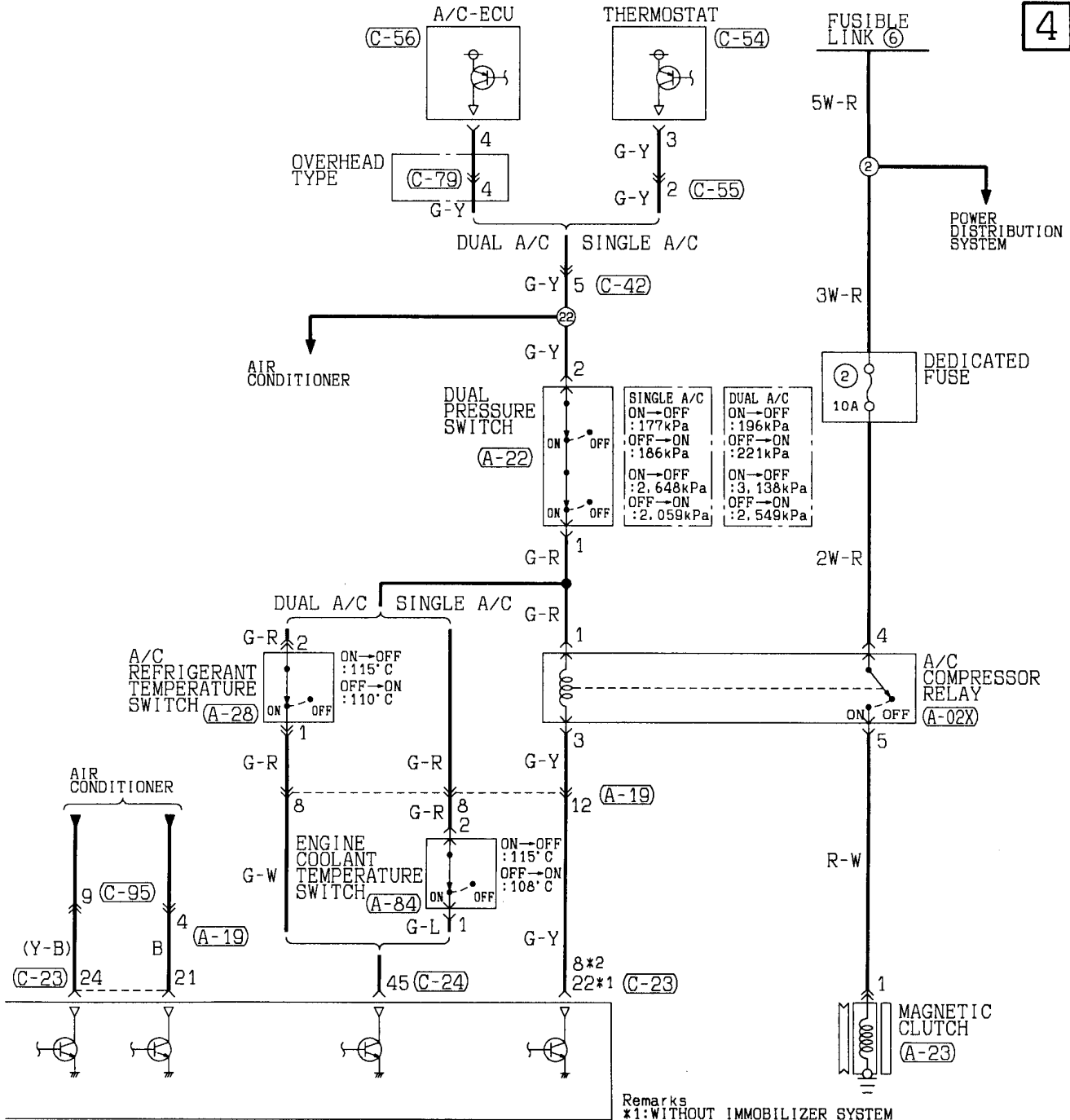
Wire colour code

B:Black LG:Light green G:Green L:Blue W:White Y:Yellow SB:Sky blue
 BR:Brown O:Orange GR:Gray R:Red P:Pink V:Violet

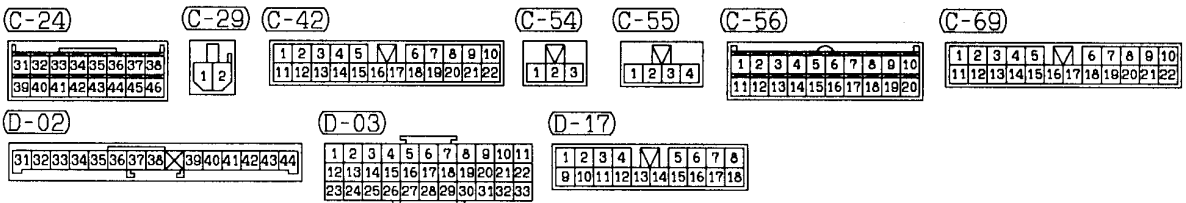
MPI SYSTEM <L.H. drive vehicles> (CONTINUED)



4

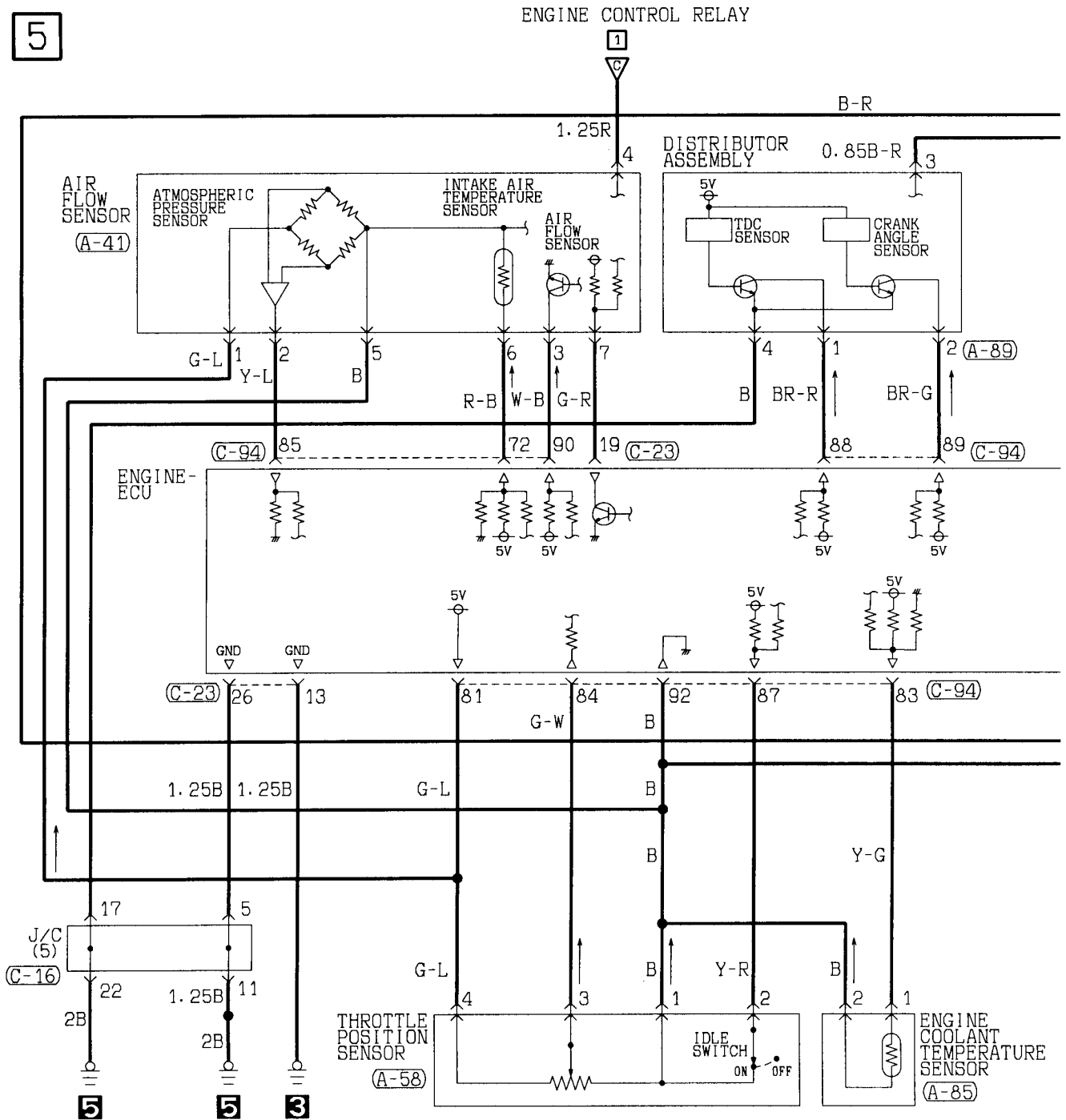


Remarks
 *1: WITHOUT IMMOBILIZER SYSTEM
 *2: WITH IMMOBILIZER SYSTEM



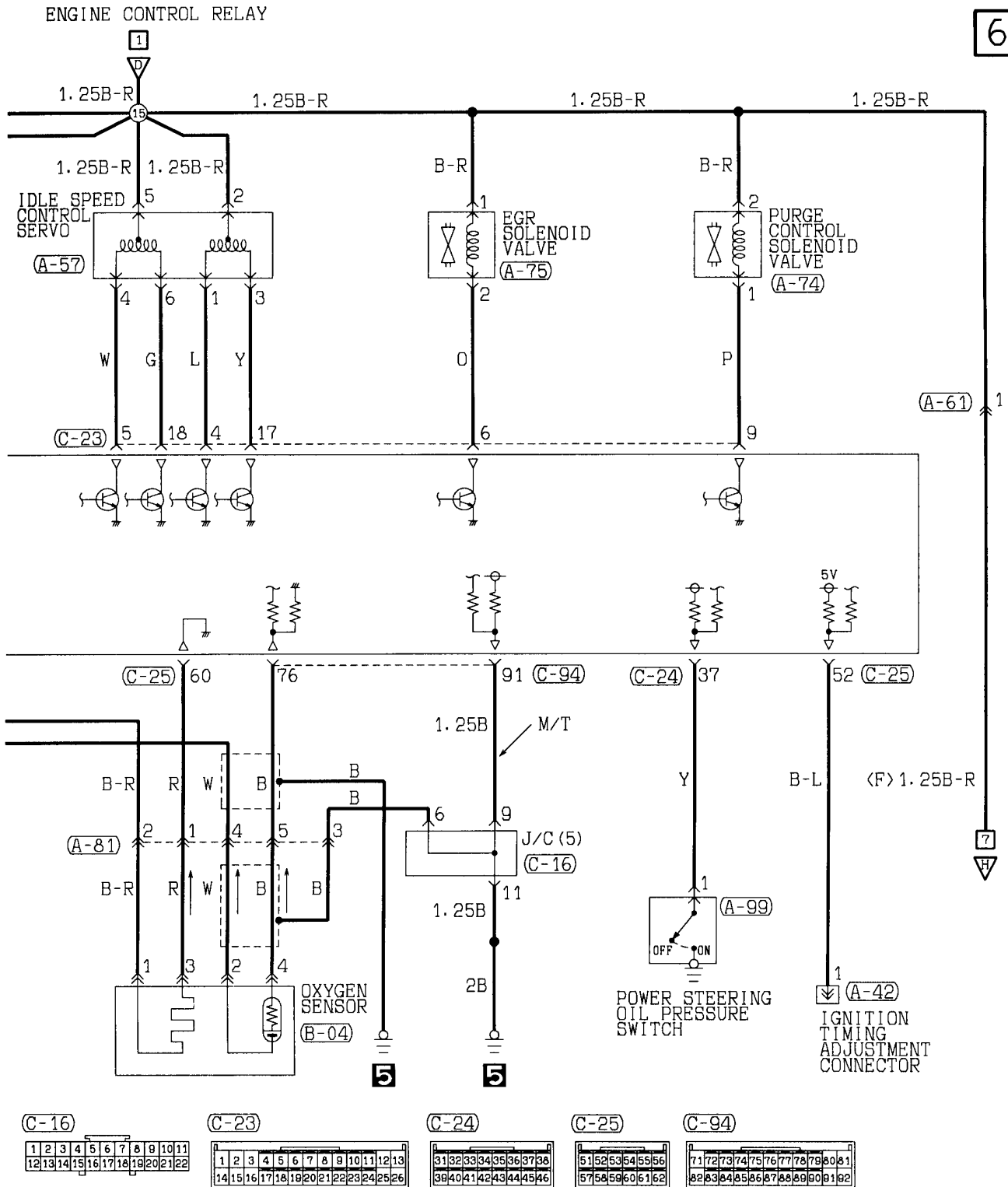
MPI SYSTEM <L.H. drive vehicles> (CONTINUED)

5



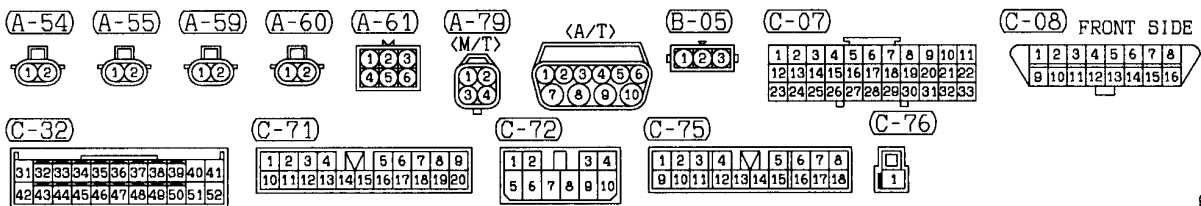
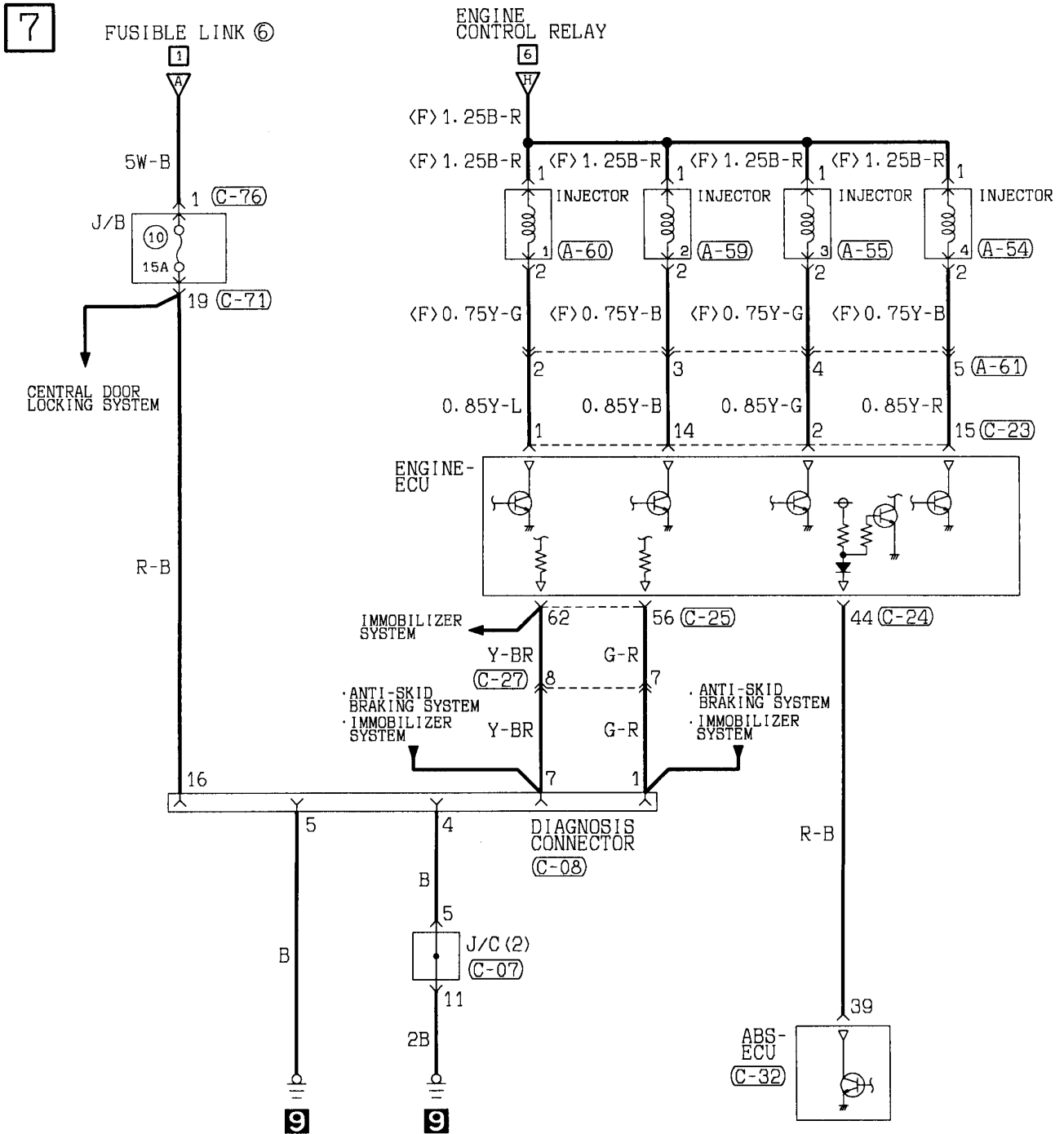
- (A-41)
- (A-42)
- (A-57)
- (A-58)
- (A-61)
- (A-74)
- (A-75)
- (A-81)
- (A-85)
- (A-89)
- (A-99)
- (B-04)

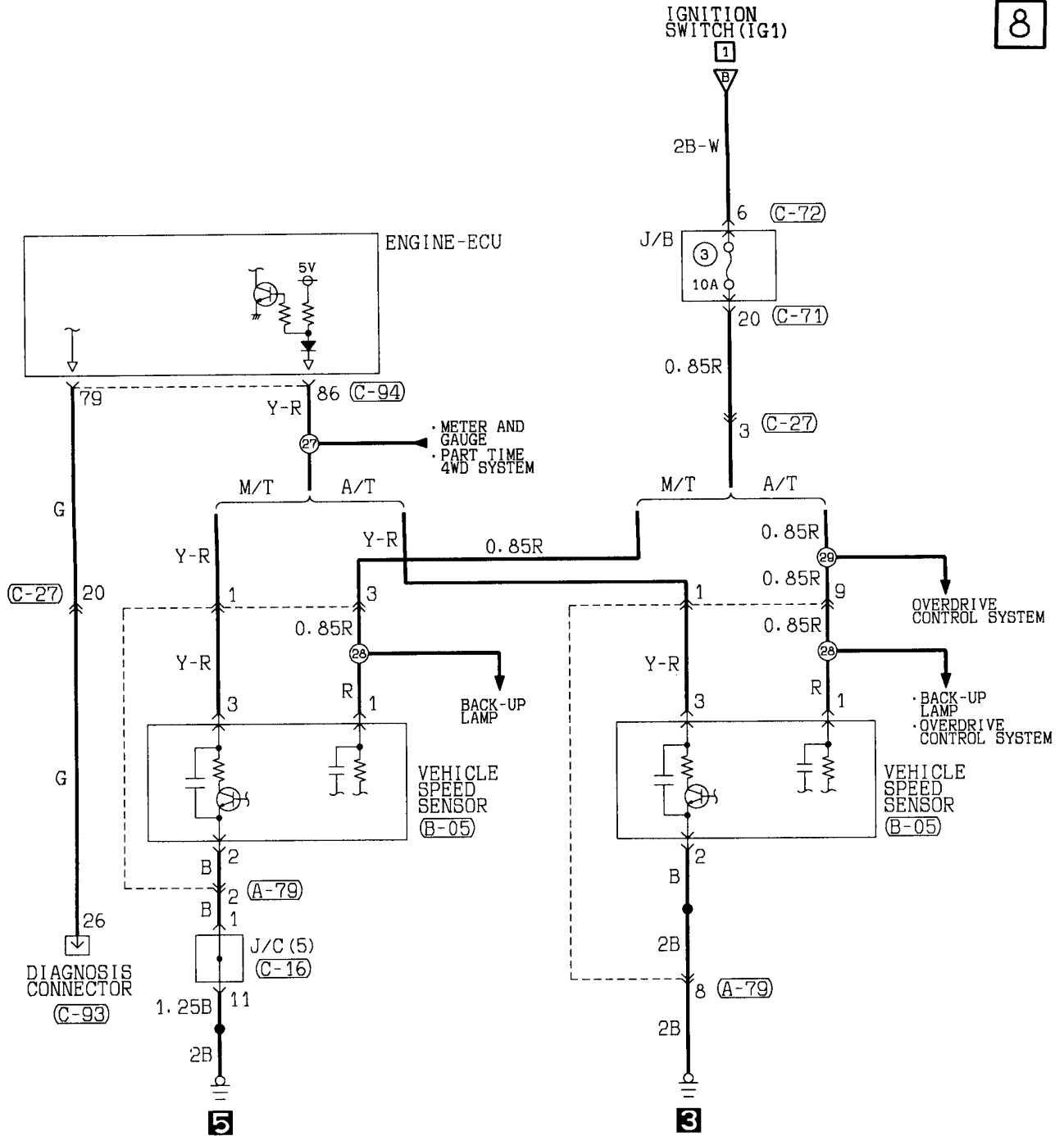
6



Wire colour code
 B:Black LG:Light green G:Green L:Blue W:White Y:Yellow SB:Sky blue
 BR:Brown O:Orange GR:Gray R:Red P:Pink V:Violet

MPI SYSTEM <L.H. drive vehicles> (CONTINUED)





(C-16)

1	2	3	4	5	6	7	8	9	10	11
12	13	14	15	16	17	18	19	20	21	22

(C-23)

1	2	3	4	5	6	7	8	9	10	11	12	13
14	15	16	17	18	19	20	21	22	23	24	25	26

(C-24)

31	32	33	34	35	36	37	38
39	40	41	42	43	44	45	46

(C-25)

51	52	53	54	55	56
57	58	59	60	61	62

(C-27)

1	2	3	4	5	6	7	8	9	10		
11	12	13	14	15	16	17	18	19	20	21	22

(C-93)

25	24	23	22	21		
32	31	30	29	28	27	26

(C-94)

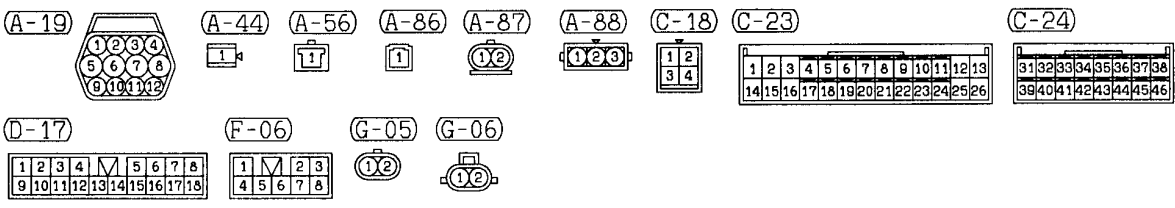
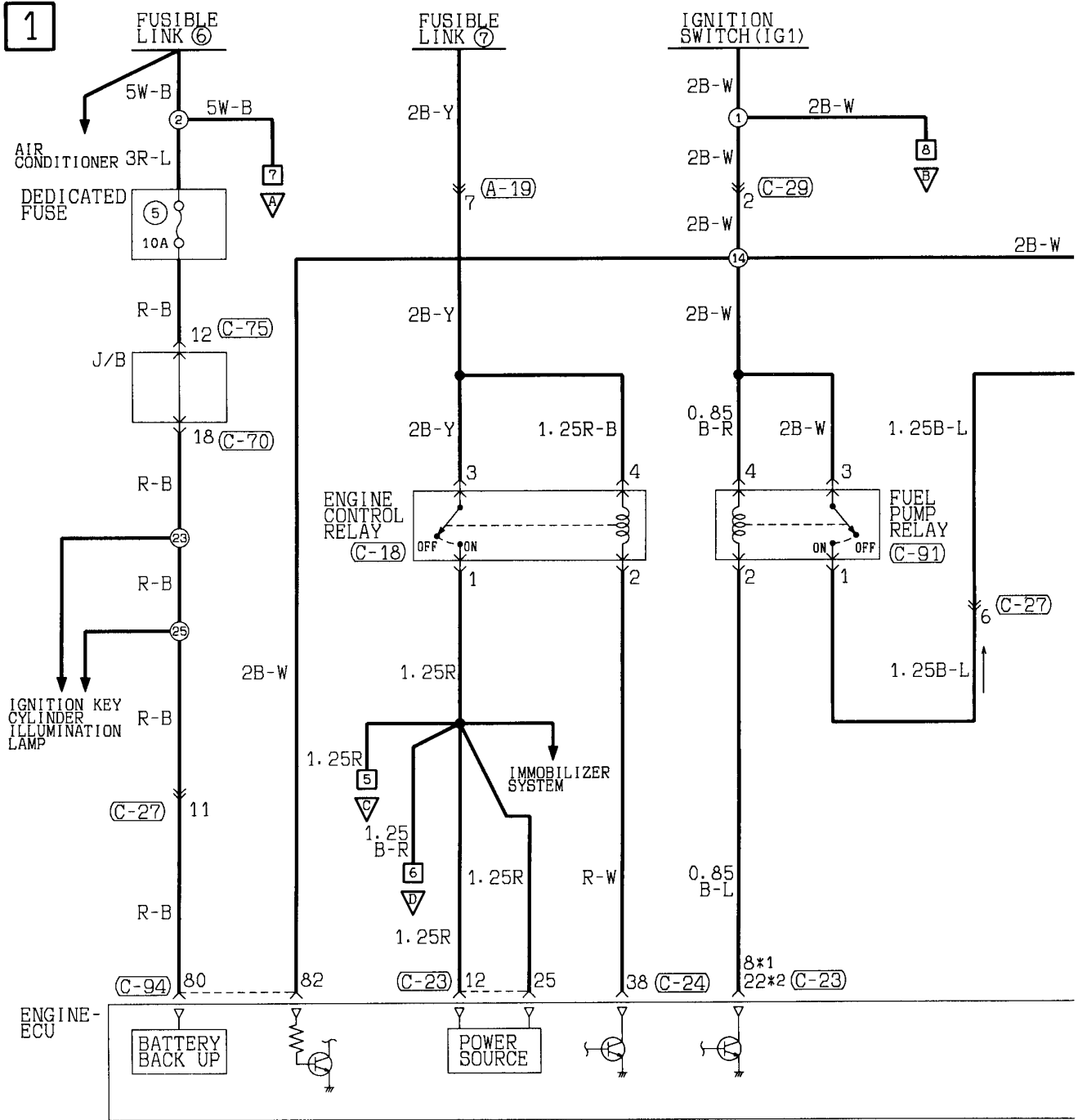
71	72	73	74	75	76	77	78	79	80	81
82	83	84	85	86	87	88	89	90	91	92

Wire colour code
 B : Black LG : Light green
 BR : Brown O : Orange
 W : White SB : Sky blue
 V : Violet

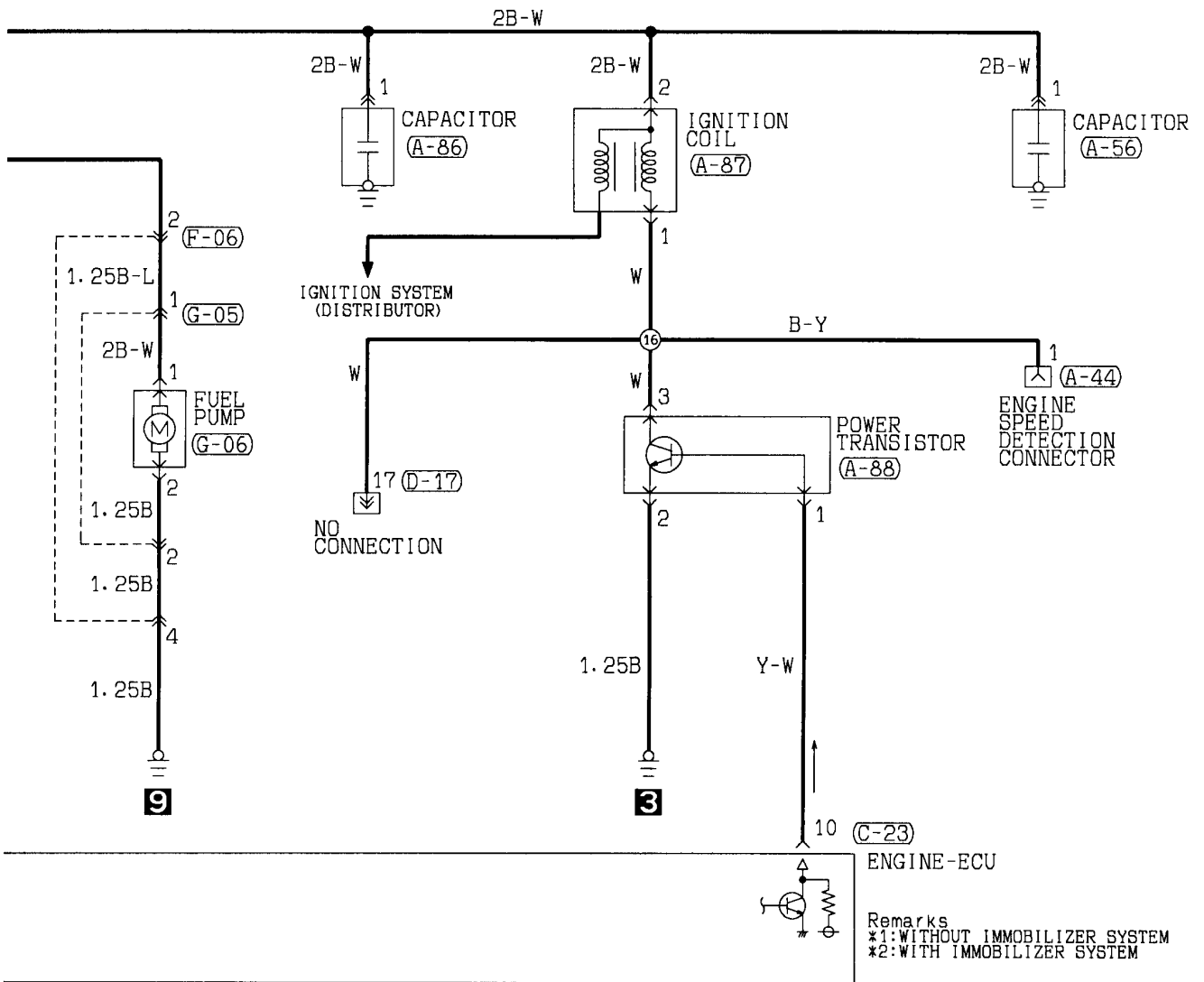
G : Green L : Blue
 GR : Gray R : Red
 P : Pink Y : Yellow

MPI SYSTEM

R.H. drive vehicles



2



(C-27)

1	2	3	4	5	6	7	8	9	10
11	12	13	14	15	16	17	18	19	20
21	22								

(C-29)

1	2
---	---

(C-70)

1	2	3	4	5	6	7	8
9	10	11	12	13	14	15	16
17	18						

(C-75)

1	2	3	4	5	6	7	8
9	10	11	12	13	14	15	16
17	18						

(C-91)

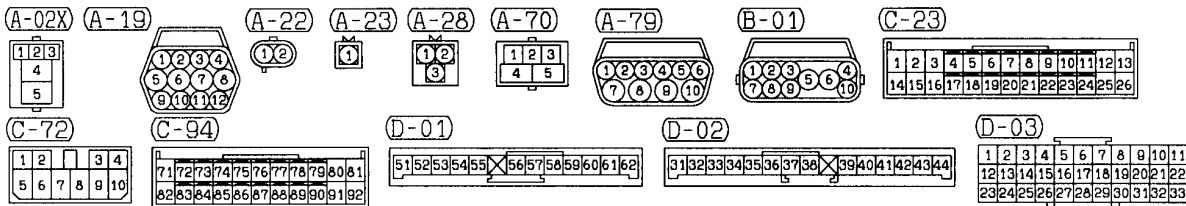
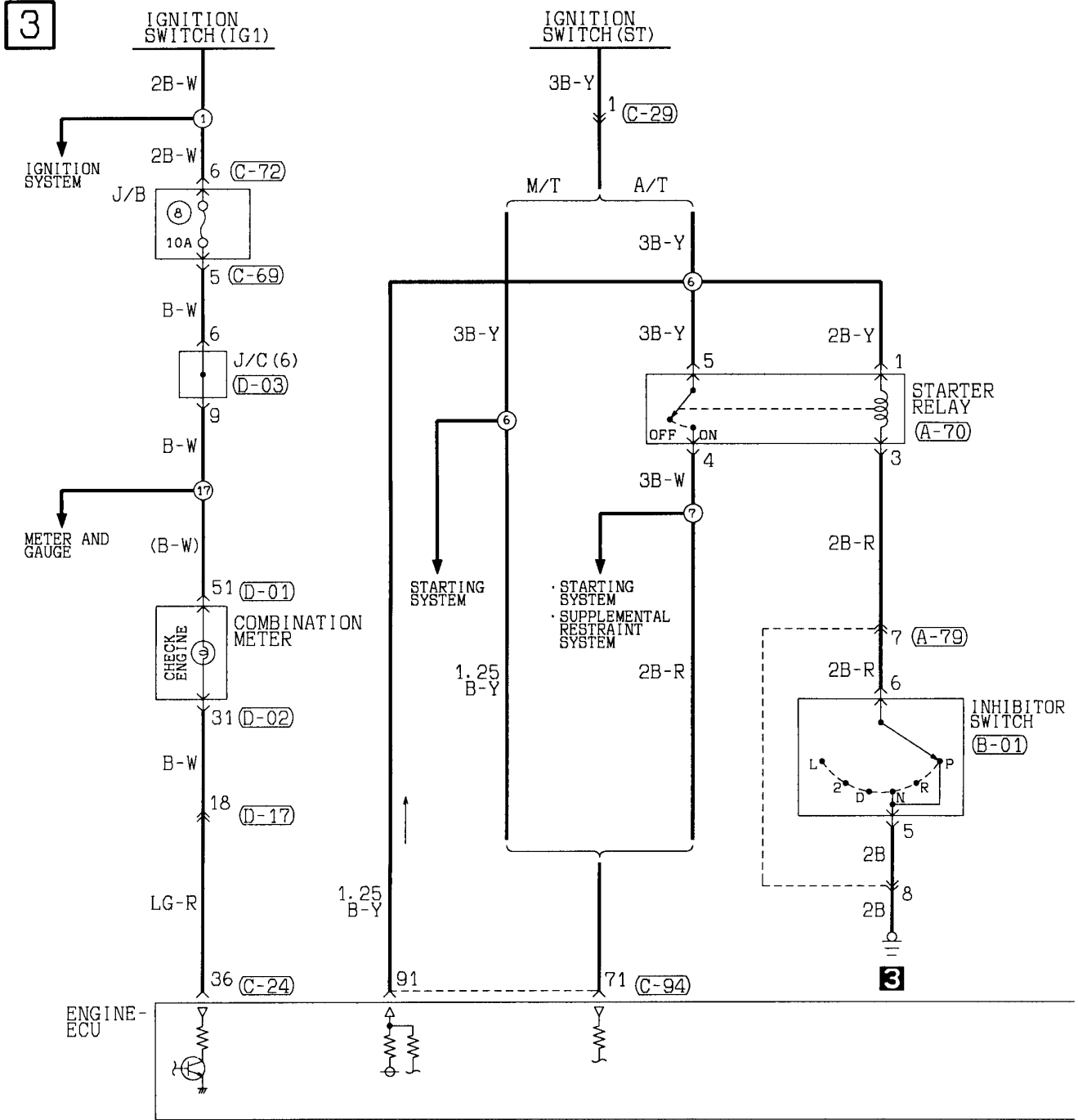
1	2
---	---

(C-94)

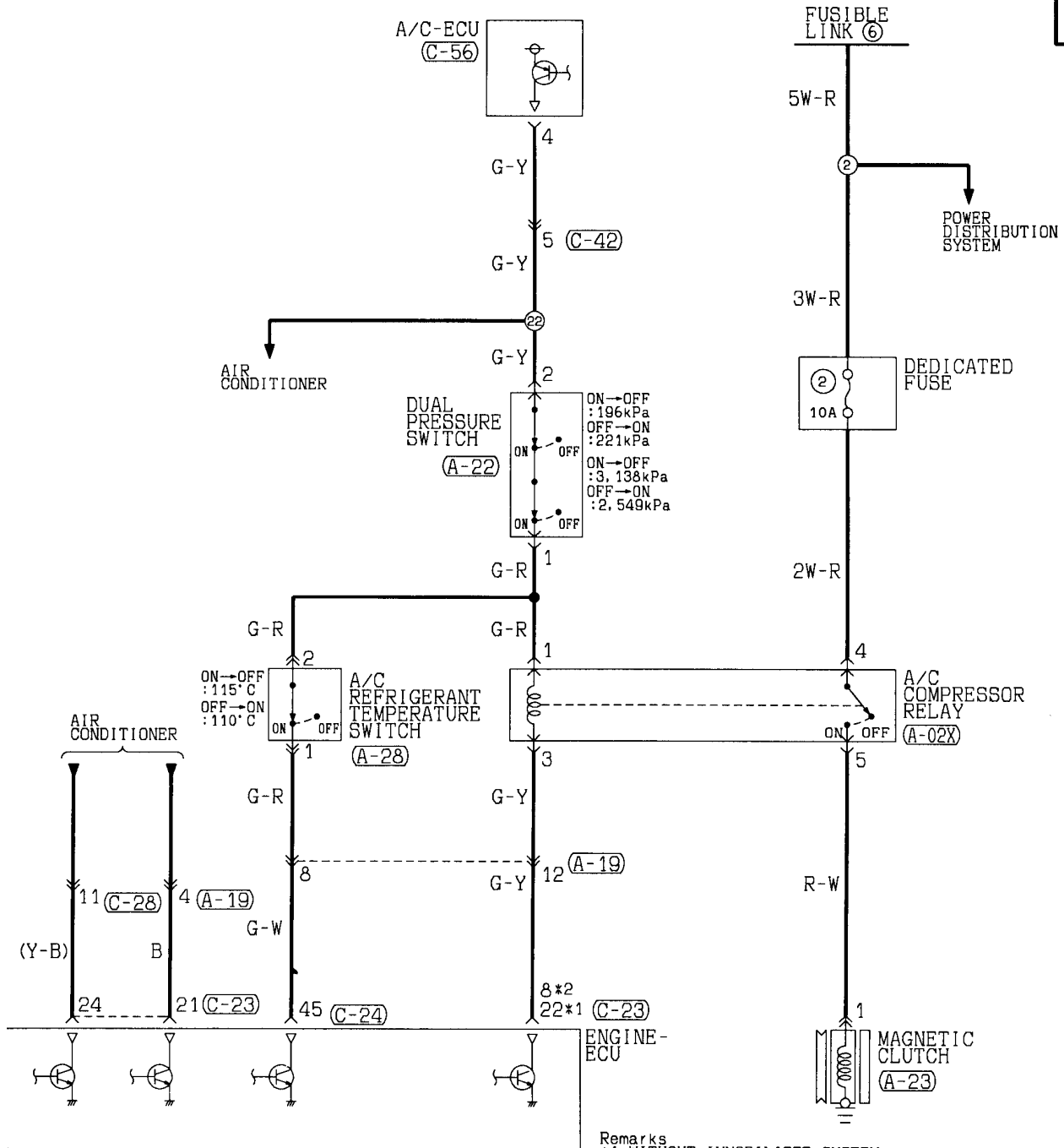
71	72	73	74	75	76	77	78	79	80	81
82	83	84	85	86	87	88	89	90	91	92

Wire colour code
 B : Black LG:Light green G : Green L : Blue W : White Y : Yellow SB:Sky blue
 BR:Brown O : Orange GR:Gray R : Red P : Pink V : Violet

MPI SYSTEM <R.H. drive vehicles> (CONTINUED)



4



Remarks
 *1: WITHOUT IMMOBILIZER SYSTEM
 *2: WITH IMMOBILIZER SYSTEM

(C-24)

31	32	33	34	35	36	37	38
39	40	41	42	43	44	45	46

(C-28)

1	2	3	4	M	5	6	7	8	
9	10	11	12	13	14	15	16	17	18

(C-29)

1	2
---	---

(C-42)

1	2	3	4	5	M	6	7	8	9	10	
11	12	13	14	15	16	17	18	19	20	21	22

(C-56)

1	2	3	4	5	6	7	8	9	10
11	12	13	14	15	16	17	18	19	20

(C-69)

1	2	3	4	5	M	6	7	8	9	10	
11	12	13	14	15	16	17	18	19	20	21	22

(D-17)

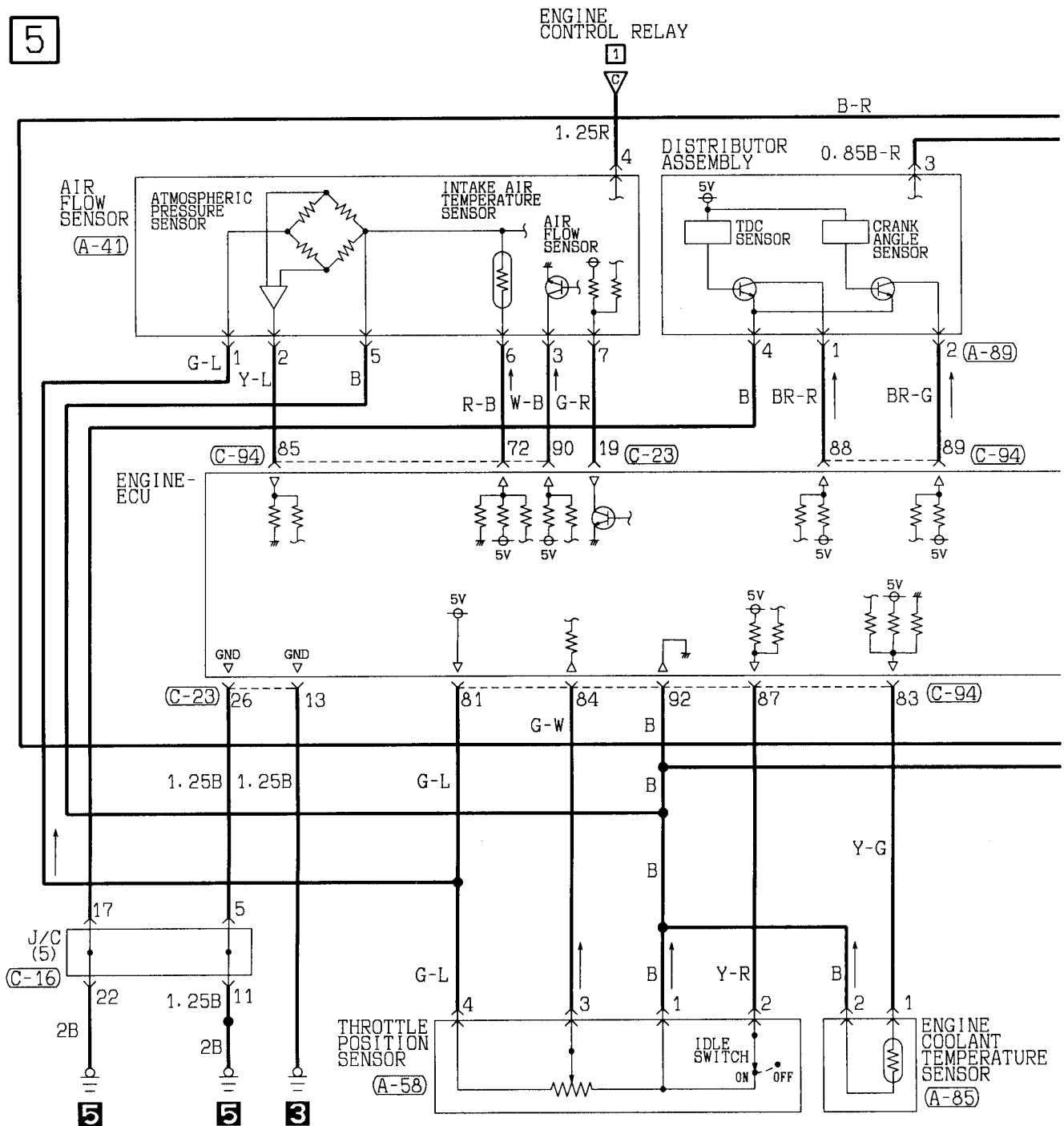
1	2	3	4	M	5	6	7	8	
9	10	11	12	13	14	15	16	17	18

Wire colour code

B : Black LG: Light green G : Green L : Blue W : White Y : Yellow SB: Sky blue
 BR: Brown O : Orange GR: Gray R : Red P : Pink V : Violet

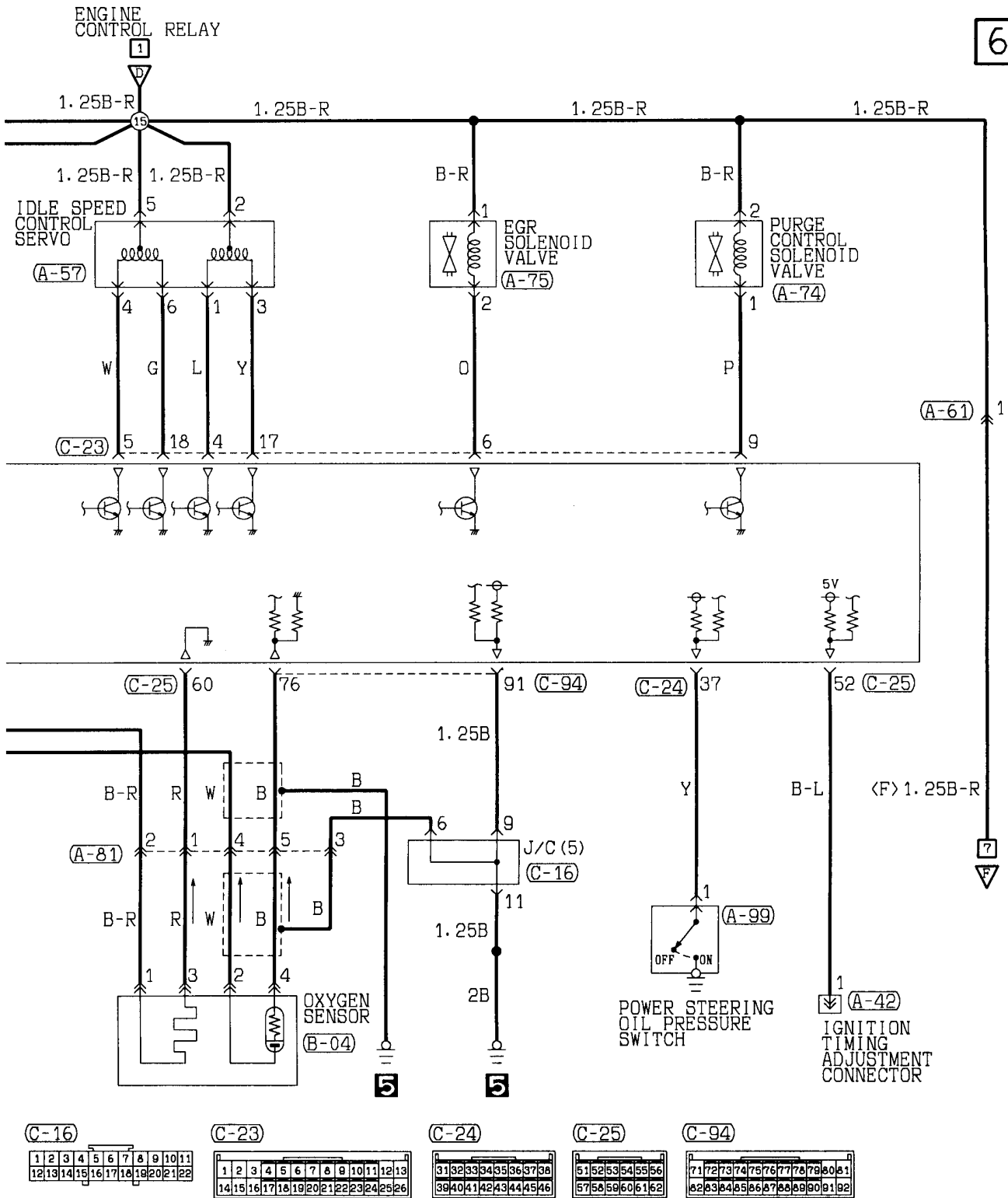
MPI SYSTEM <R.H. drive vehicles> (CONTINUED)

5



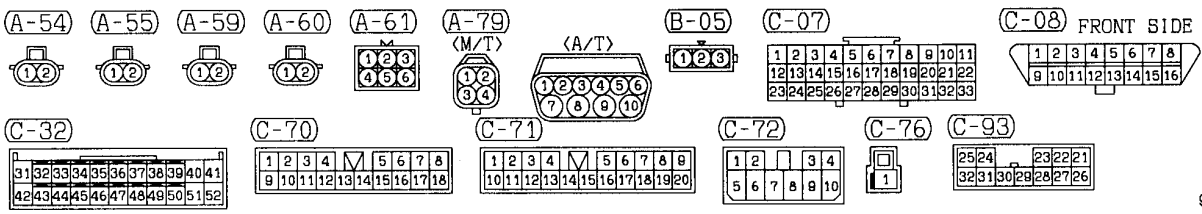
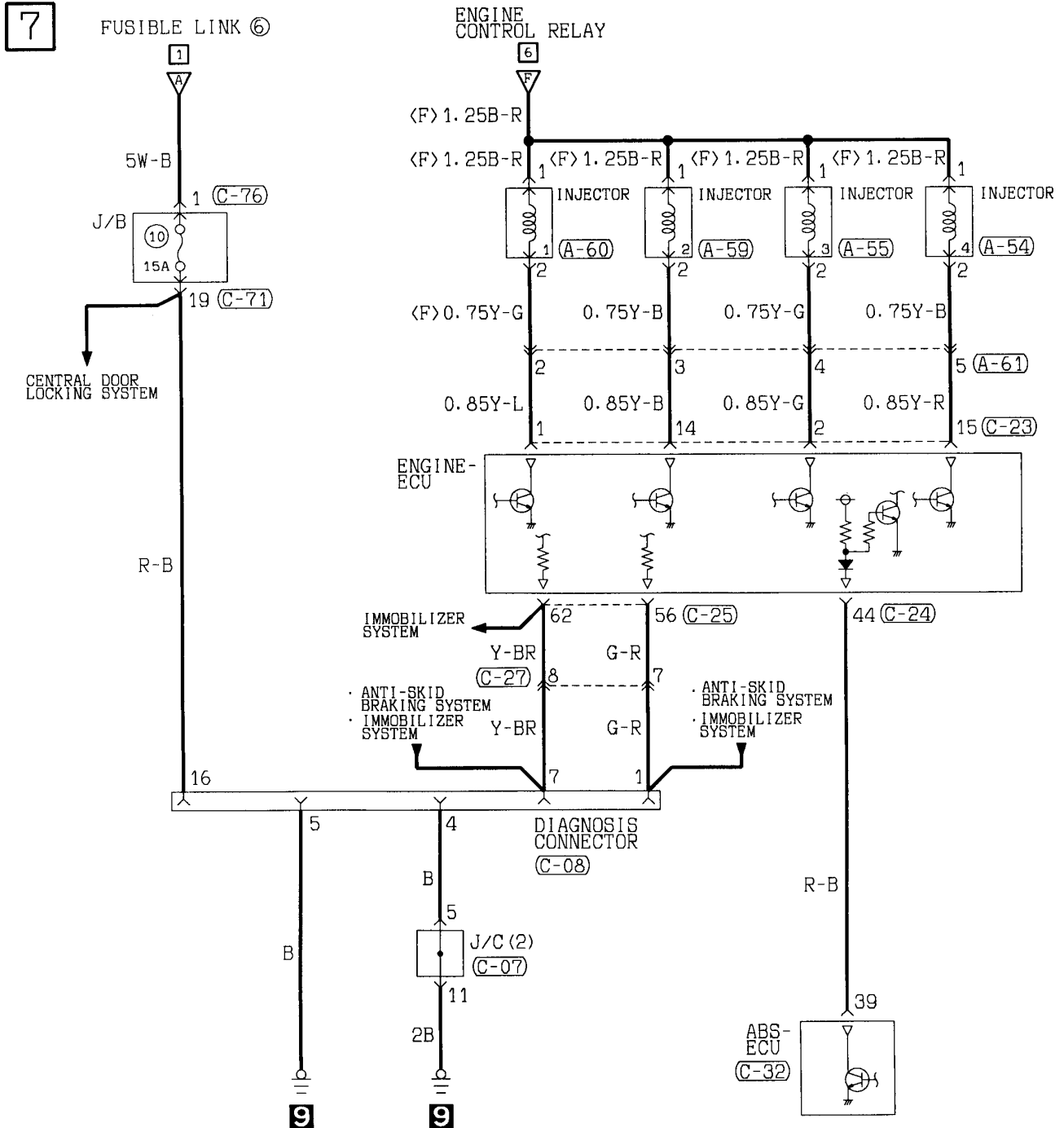
- (A-41)
- (A-42)
- (A-57)
- (A-58)
- (A-61)
- (A-74)
- (A-75)
- (A-81)
- (A-85)
- (A-89)
- (A-99)
- (B-04)

6

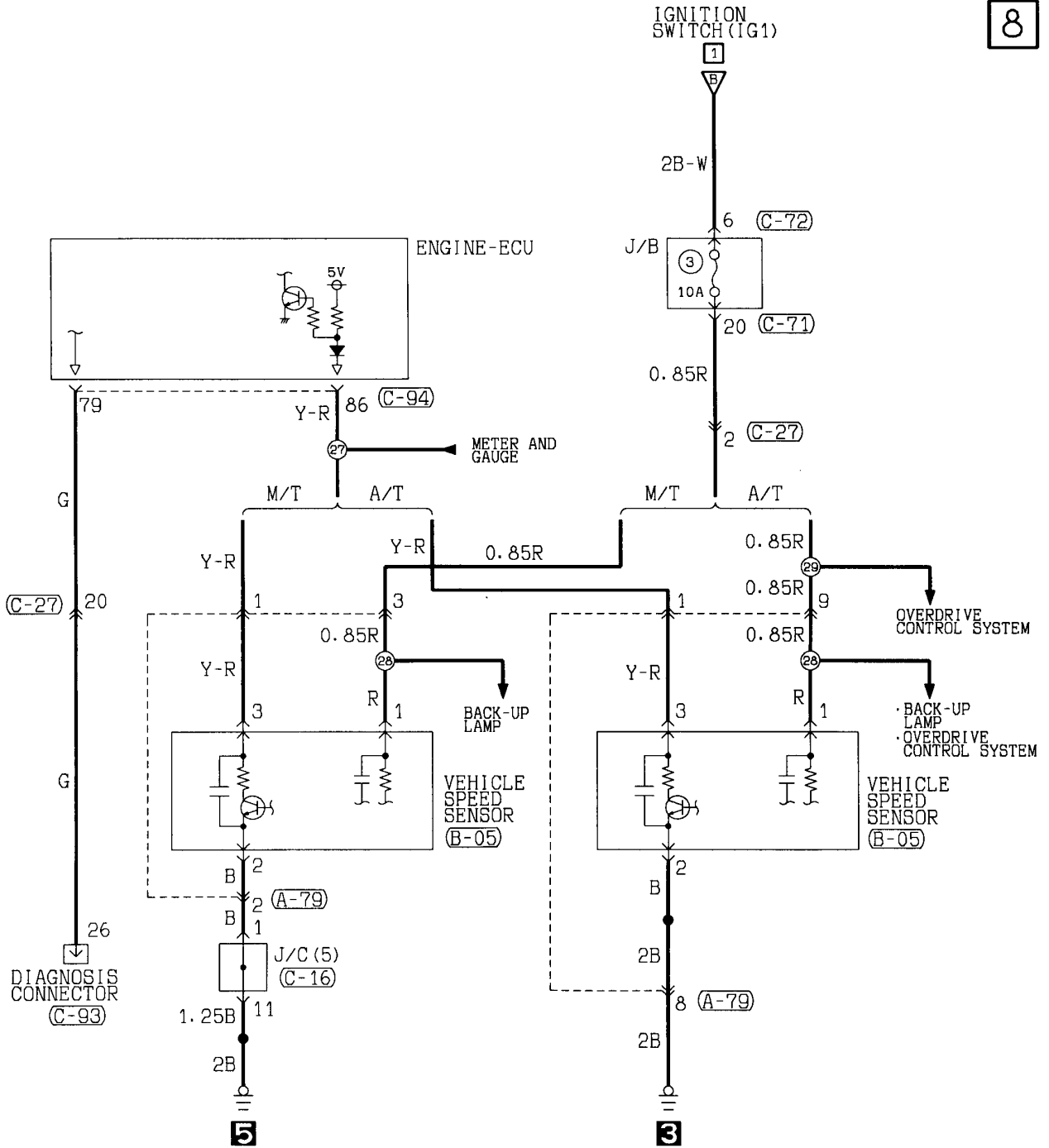


Wire colour code
 B : Black LG : Light green G : Green L : Blue W : White Y : Yellow SB : Sky blue
 BR : Brown O : Orange GR : Gray R : Red P : Pink V : Violet

MPI SYSTEM <R.H. drive vehicles> (CONTINUED)



8



(C-16)

1	2	3	4	5	6	7	8	9	10	11
12	13	14	15	16	17	18	19	20	21	22

(C-23)

1	2	3	4	5	6	7	8	9	10	11	12	13
14	15	16	17	18	19	20	21	22	23	24	25	26

(C-24)

31	32	33	34	35	36	37	38
39	40	41	42	43	44	45	46

(C-25)

51	52	53	54	55	56
57	58	59	60	61	62

(C-27)

1	2	3	4	5	6	7	8	9	10		
11	12	13	14	15	16	17	18	19	20	21	22

(C-94)

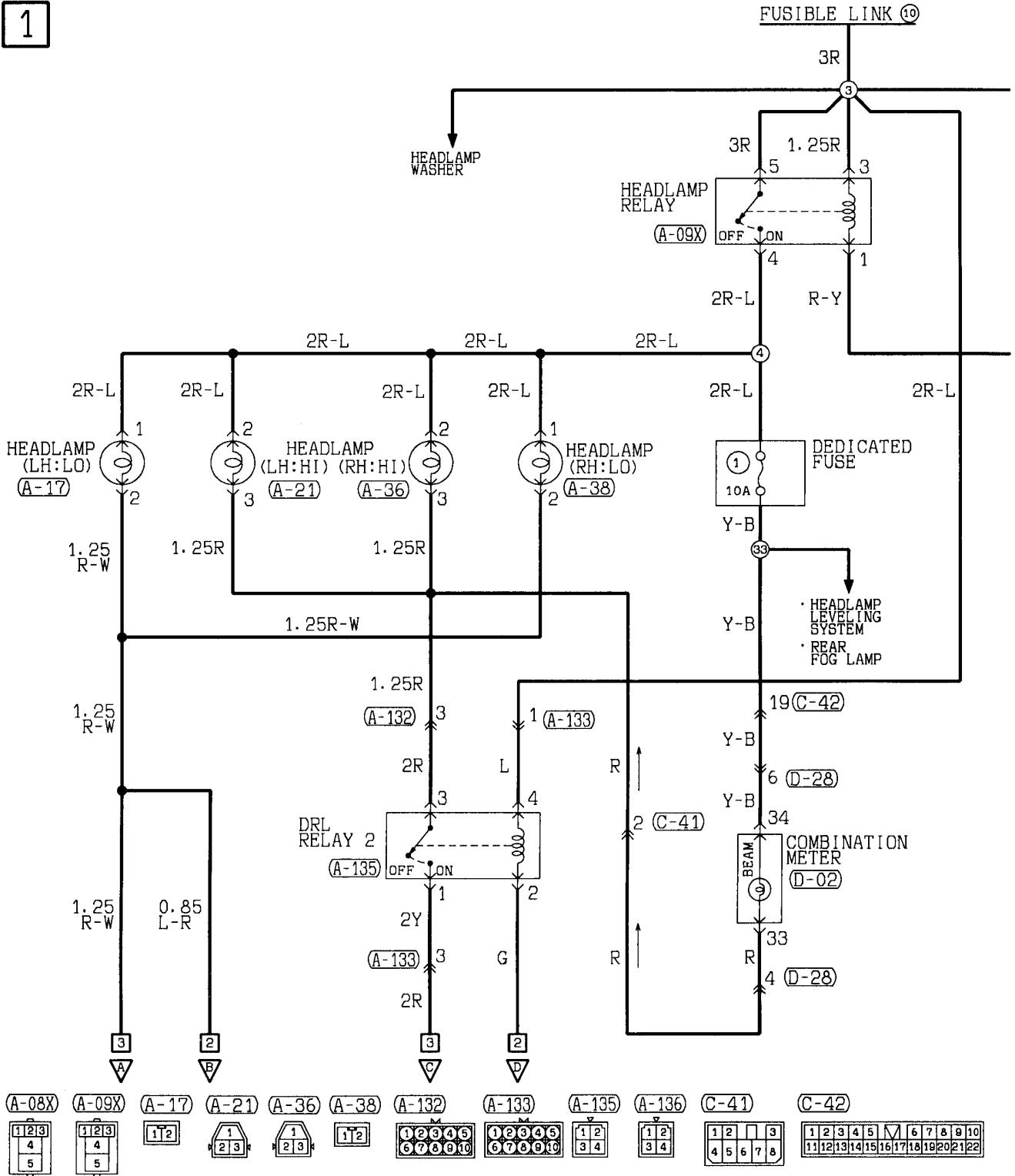
71	72	73	74	75	76	77	78	79	80	81
82	83	84	85	86	87	88	89	90	91	92

Wire colour code
 B : Black LG : Light green G : Green L : Blue
 BR : Brown O : Orange GR : Gray R : Red
 W : White SB : Sky blue P : Pink Y : Yellow
 V : Violet

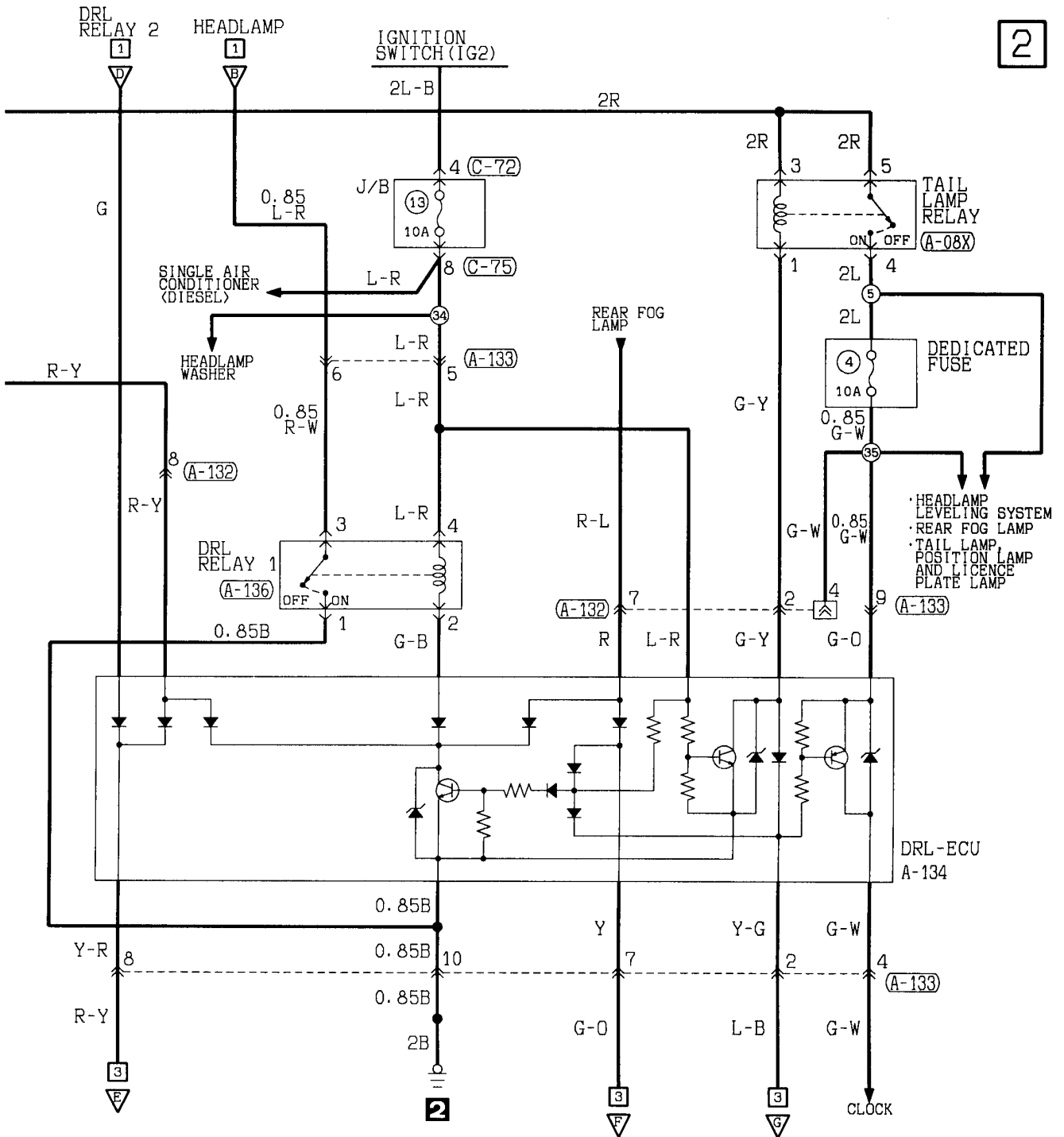
HEADLAMP

L.H. drive vehicles with daytime running lamp

1



2



(C-72)

(C-75)

(D-02)

(D-28)

1	2	3
4	5	6
7	8	

1	2	3	4	5	6	7	8
9	10	11	12	13	14	15	16
17	18						

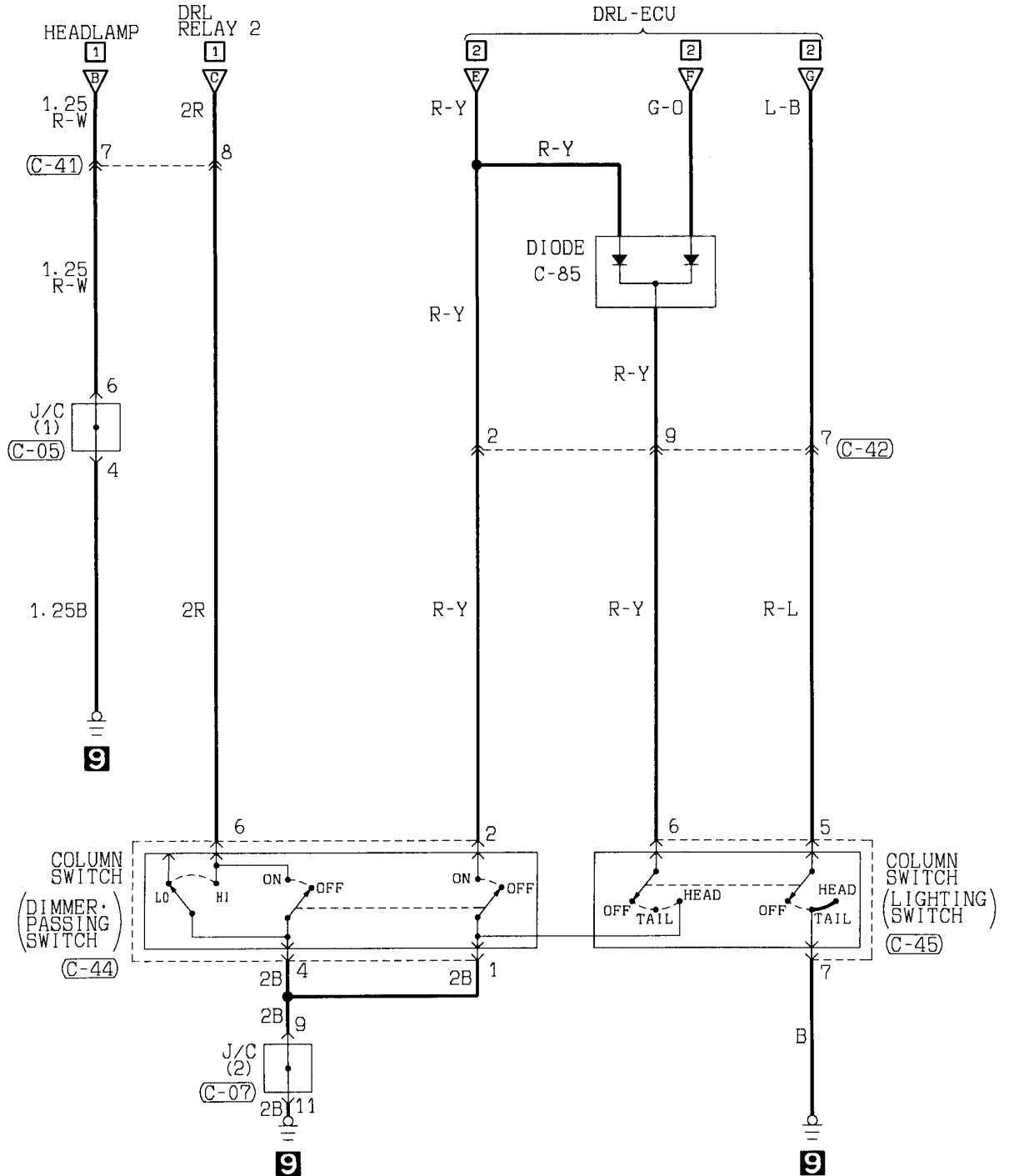
31	32	33	34	35	36	37	38	39	40	41	42	43	44
----	----	----	----	----	----	----	----	----	----	----	----	----	----

1	2	3	4	5	6	7	8	9	10
11	12	13	14	15	16	17	18	19	20
21	22								

Wire colour code
 B:Black LG:Light green G:Green L:Blue W:White Y:Yellow SB:Sky blue
 BR:Brown O:Orange GR:Gray R:Red P:Pink V:Violet

HEADLAMP <L.H. drive vehicles with daytime running lamp> (CONTINUED)

3



(C-05)

1	2	3	4	5	6	7	8	9	10	11
12	13	14	15	16	17	18	19	20	21	22
23	24	25	26	27	28	29	30	31	32	33

(C-07)

1	2	3	4	5	6	7	8	9	10	11
12	13	14	15	16	17	18	19	20	21	22
23	24	25	26	27	28	29	30	31	32	33

(C-41)

1	2	3
4	5	6
7	8	

(C-42)

1	2	3	4	5	6	7	8	9	10
11	12	13	14	15	16	17	18	19	20
21	22								

(C-44)

1	2
3	4
5	6

(C-45)

1	2	3	4
5	6	7	8
9	10		

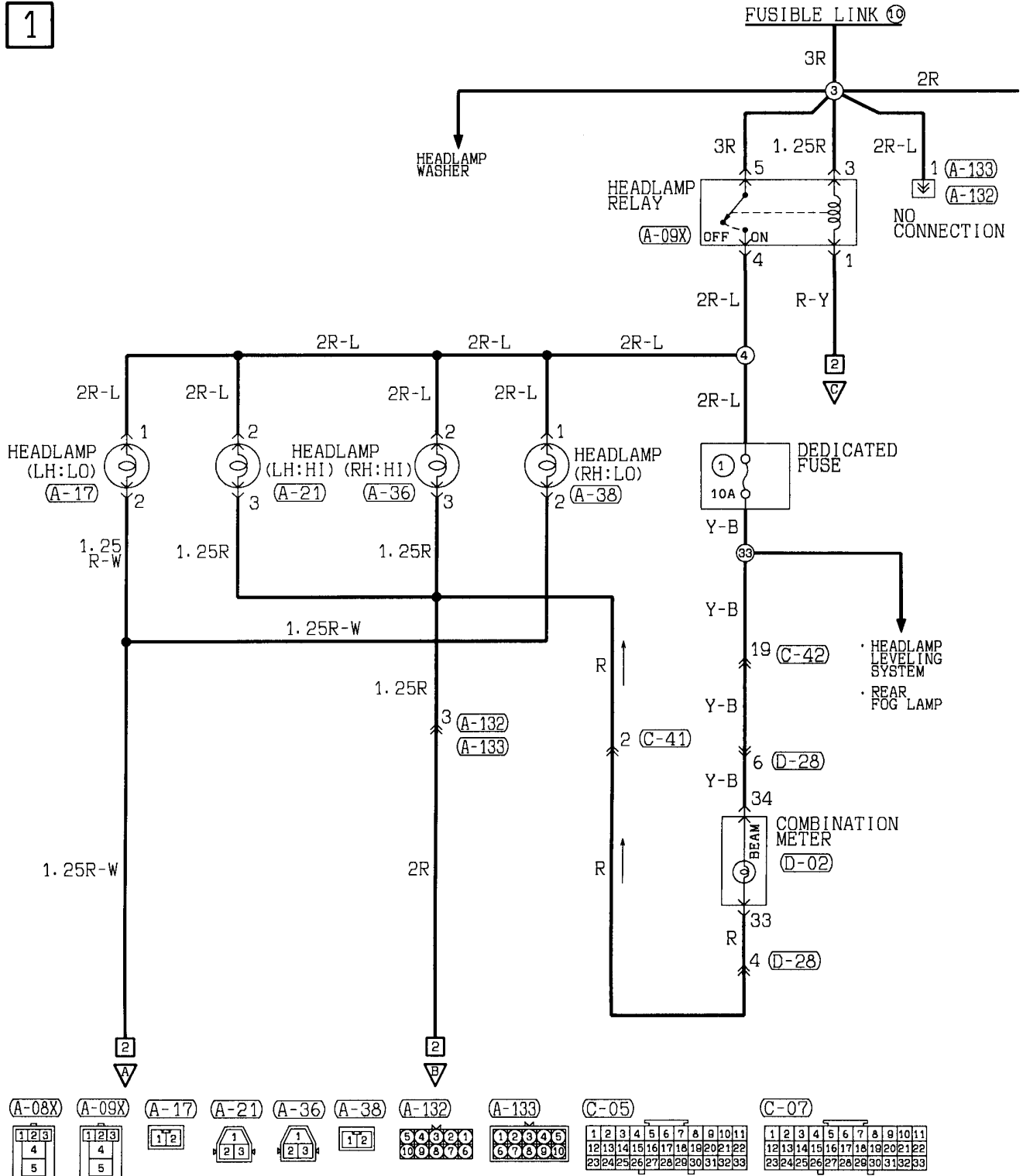
Wire colour code
 B : Black LG: Light green G : Green L : Blue W : White Y : Yellow SB: Sky blue
 BR: Brown O : Orange GR: Gray R : Red P : Pink V : Violet

NOTES

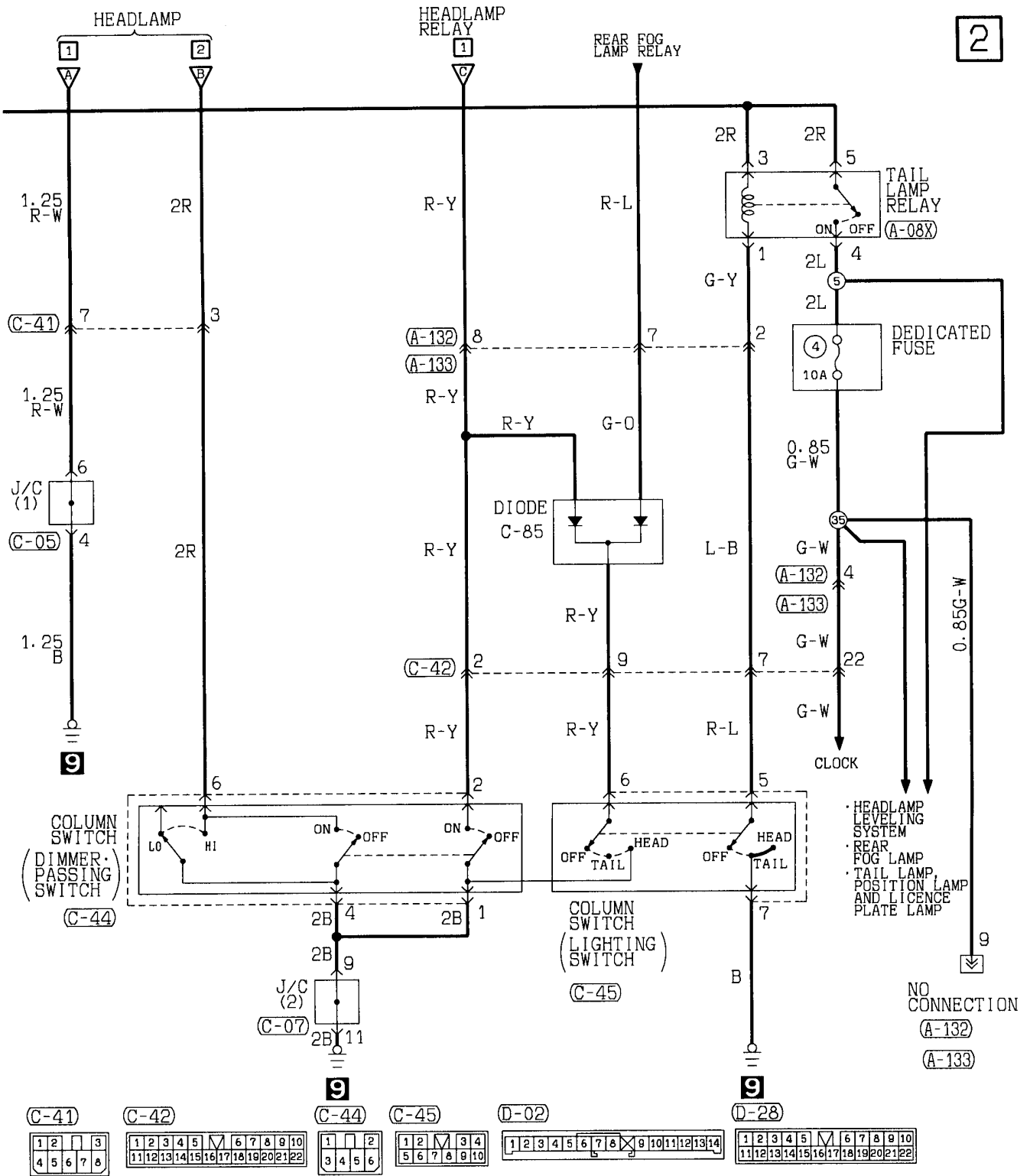
HEADLAMP

L.H. drive vehicles without daytime running lamp

1



2

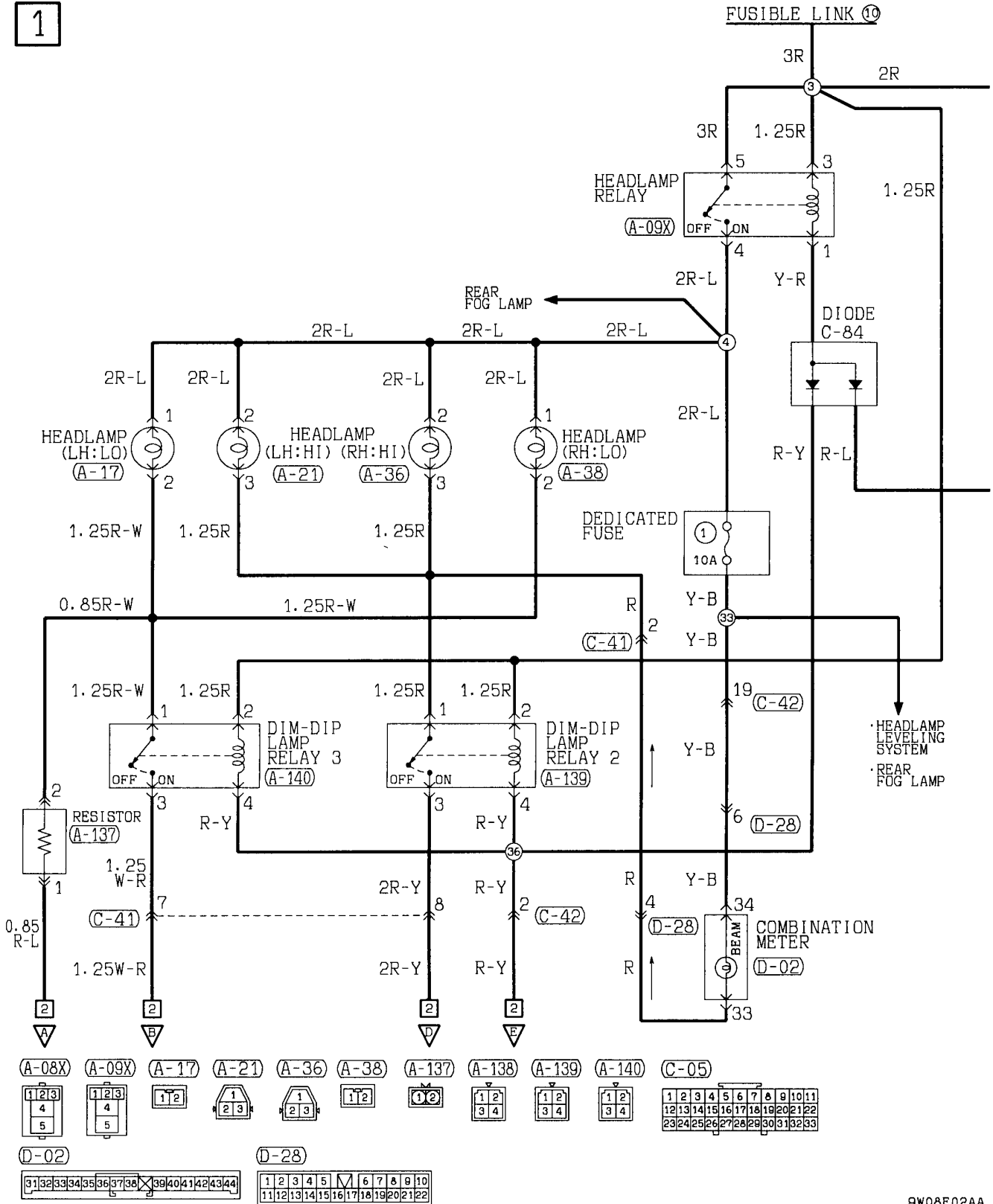


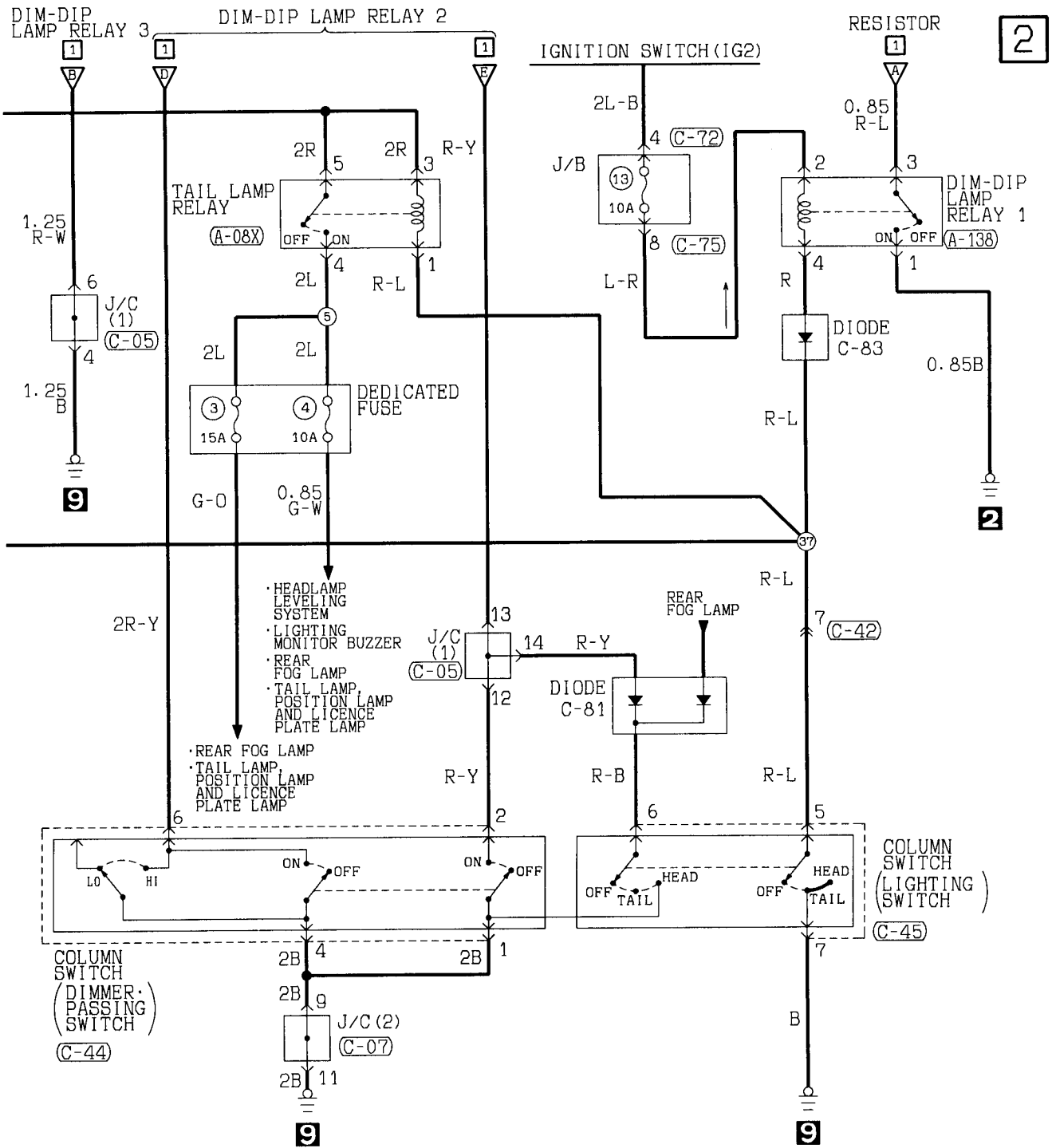
Wire colour code
 B:Black LG:Light green G:Green L:Blue W:White Y:Yellow SB:Sky blue
 BR:Brown O:Orange GR:Gray R:Red P:Pink V:Violet

HEADLAMP

R.H. drive vehicles

1





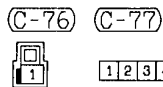
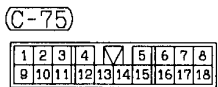
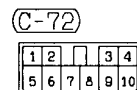
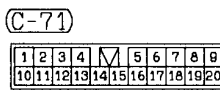
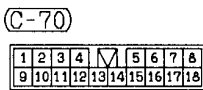
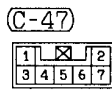
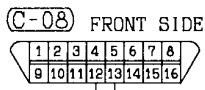
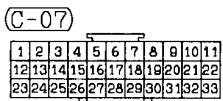
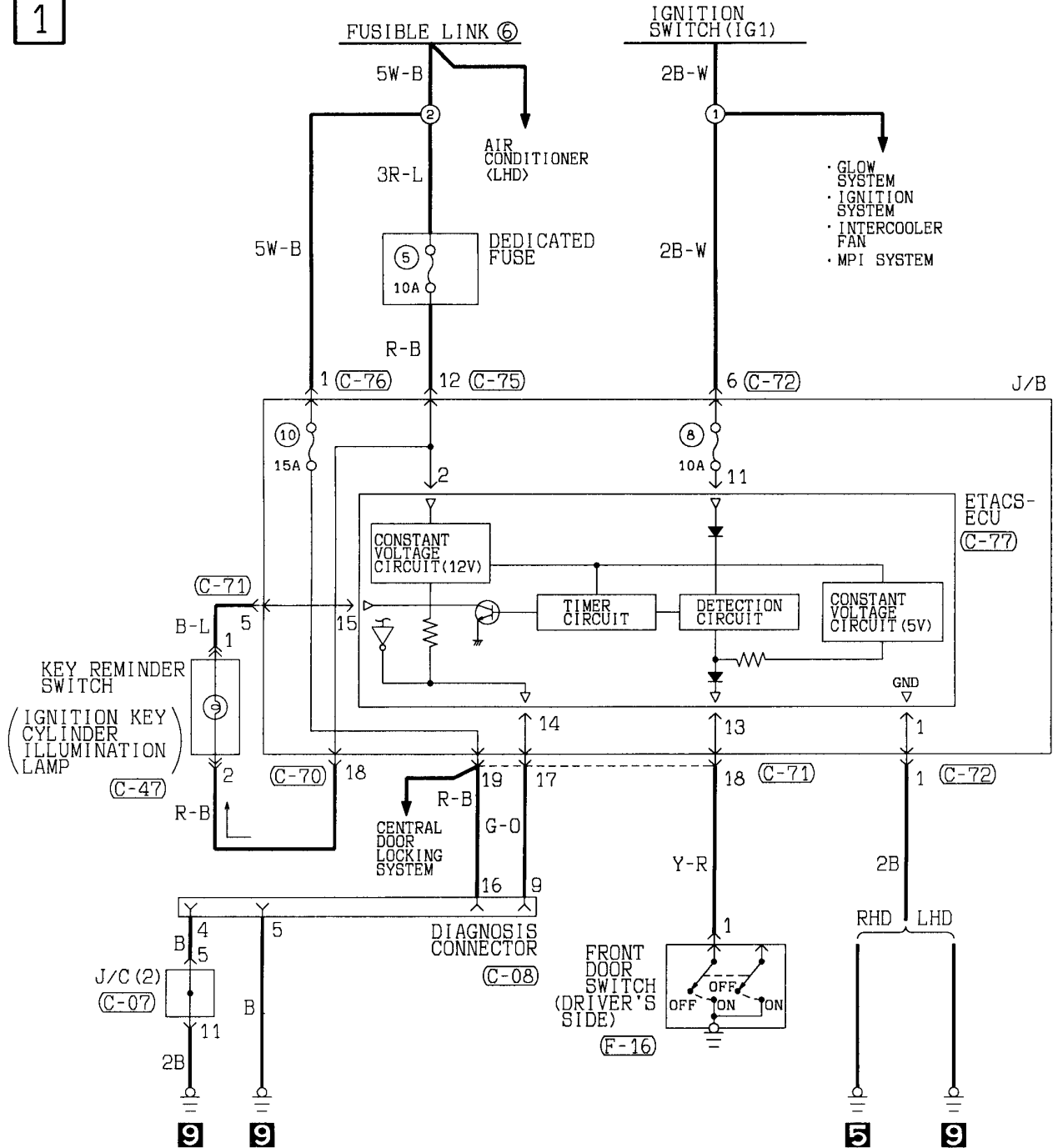
(C-07)	(C-41)	(C-42)	(C-44)	(C-45)	(C-72)	(C-75)
1 2 3 4 5 6 7 8 9 10 11 12 13 14 15 16 17 18 19 20 21 22 23 24 25 26 27 28 29 30 31 32 33	1 2 3 4 5 6 7 8	1 2 3 4 5 6 7 8 9 10 11 12 13 14 15 16 17 18 19 20 21 22	1 2 3 4 5 6	1 2 3 4 5 6 7 8 9 10	1 2 3 4 5 6 7 8 9 10	1 2 3 4 5 6 7 8 9 10 11 12 13 14 15 16 17 18

Wire colour code
 B : Black LG:Light green G :Green L :Blue W :White Y :Yellow SB:Sky blue
 BR:Brown O :Orange GR:Gray R :Red P :Pink V :Violet

IGNITION KEY CYLINDER ILLUMINATION LAMP

With ETACS

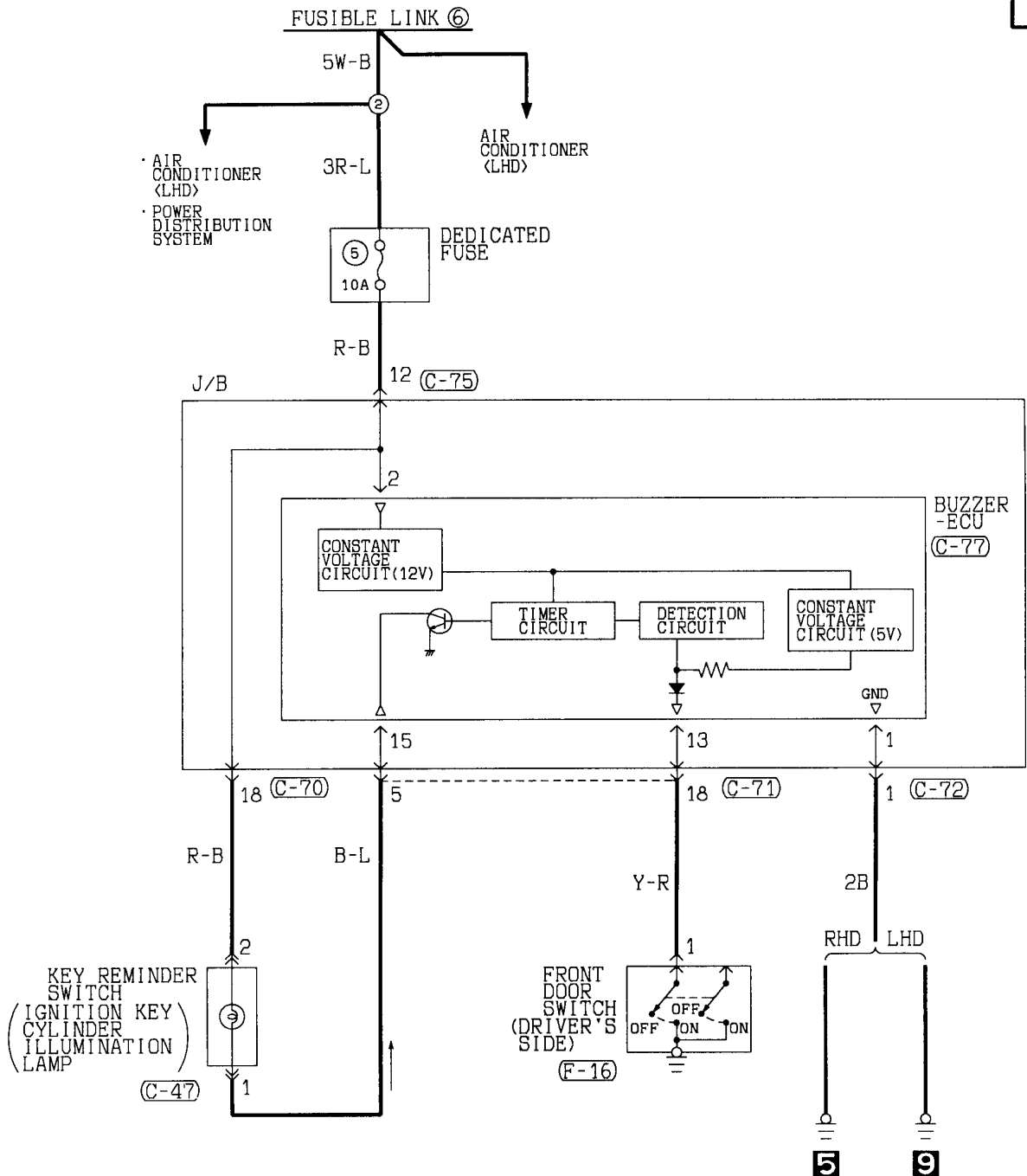
1



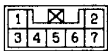
IGNITION KEY CYLINDER ILLUMINATION LAMP

Without ETACS

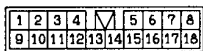
1



(C-47)



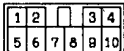
(C-70)



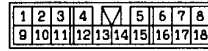
(C-71)



(C-72)



(C-75)



(C-77)



(F-16)



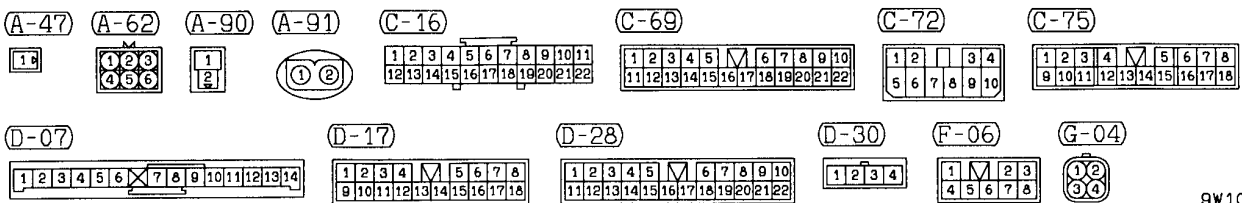
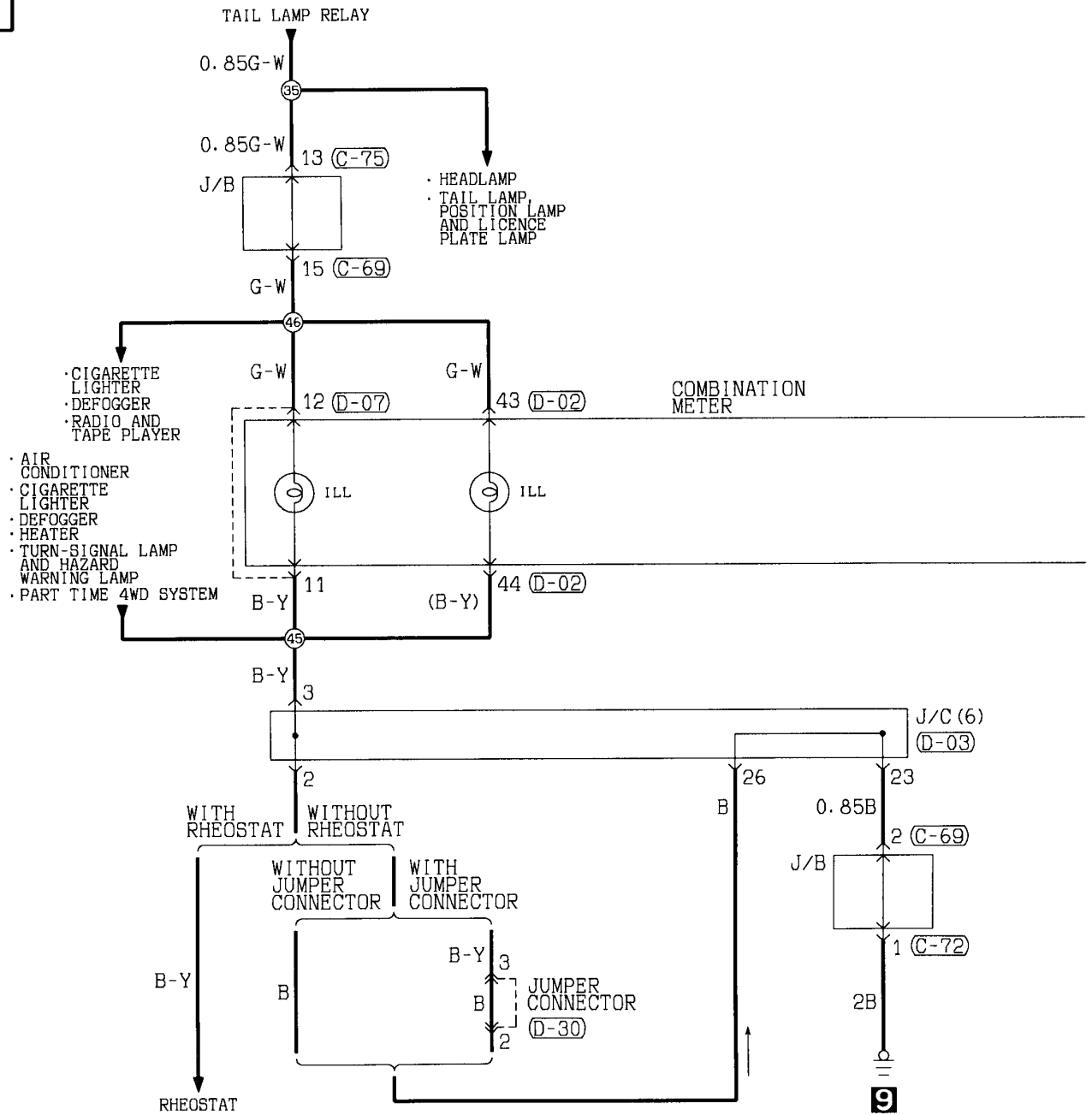
Wire colour code

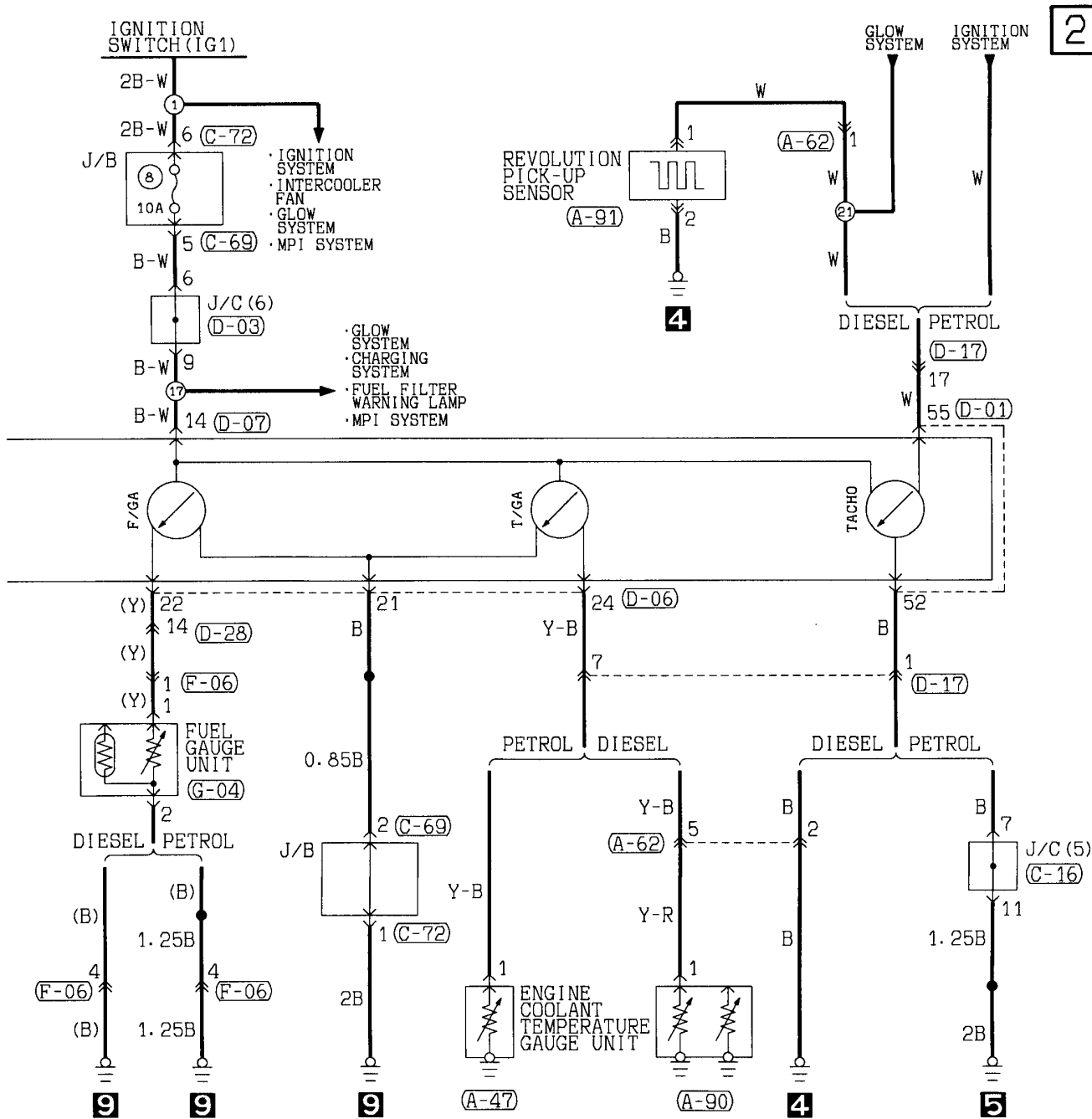
- B : Black
- BR : Brown
- W : White
- V : Violet
- LG : Light green
- O : Orange
- SB : Sky blue
- G : Green
- GR : Gray
- P : Pink
- L : Blue
- R : Red
- Y : Yellow

METER AND GAUGE

L.H. drive vehicles

1





D-01

5	1	2	3	4	5	6	7	8	9	10	11	12	13	14	15	16	17	18	19	20	21	22	23	24	25	26	27	28	29	30
---	---	---	---	---	---	---	---	---	---	----	----	----	----	----	----	----	----	----	----	----	----	----	----	----	----	----	----	----	----	----

D-02

3	1	2	3	4	5	6	7	8	9	10	11	12	13	14	15	16	17	18	19	20	21	22	23	24	25	26	27	28	29	30
---	---	---	---	---	---	---	---	---	---	----	----	----	----	----	----	----	----	----	----	----	----	----	----	----	----	----	----	----	----	----

D-03

1	2	3	4	5	6	7	8	9	10	11	12	13	14	15	16	17	18	19	20	21	22	23	24	25	26	27	28	29	30	31	32	33
---	---	---	---	---	---	---	---	---	----	----	----	----	----	----	----	----	----	----	----	----	----	----	----	----	----	----	----	----	----	----	----	----

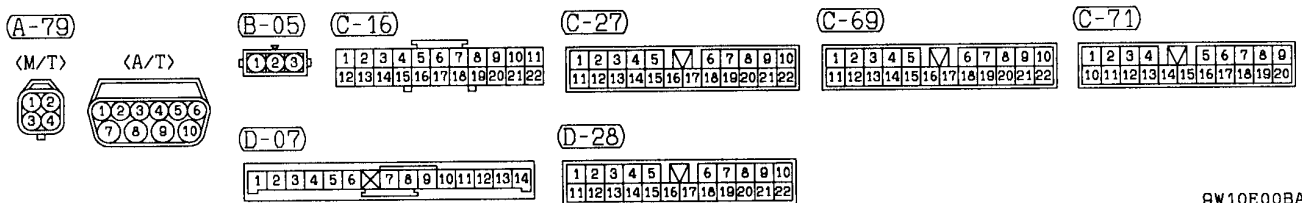
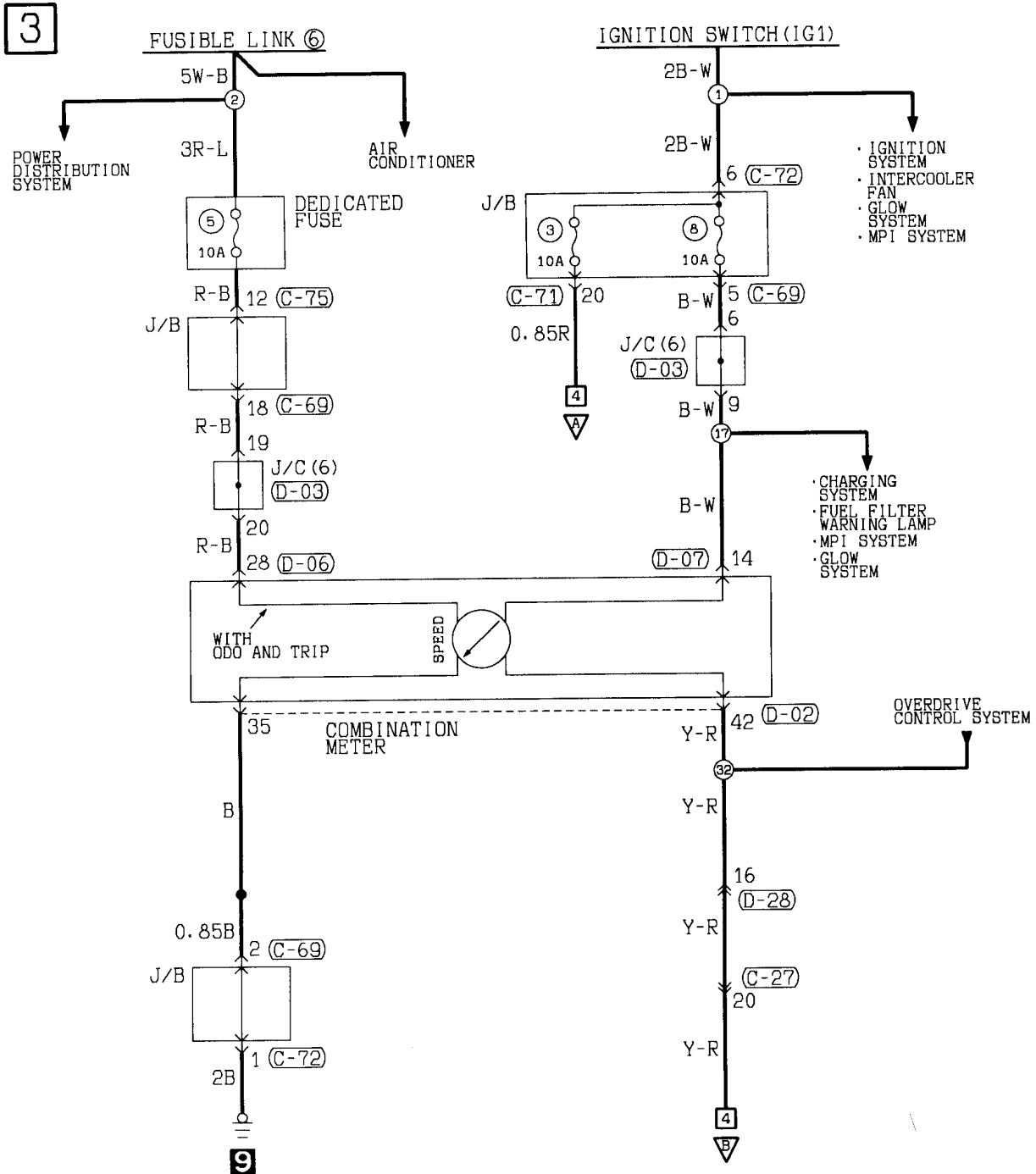
D-06

2	1	2	3	4	5	6	7	8	9	10	11	12	13	14	15	16	17	18	19	20	21	22	23	24	25	26	27	28	29	30
---	---	---	---	---	---	---	---	---	---	----	----	----	----	----	----	----	----	----	----	----	----	----	----	----	----	----	----	----	----	----

Wire colour code

B : Black LG : Light green G : Green L : Blue W : White Y : Yellow SB : Sky blue
 BR : Brown O : Orange GR : Gray R : Red P : Pink V : Violet

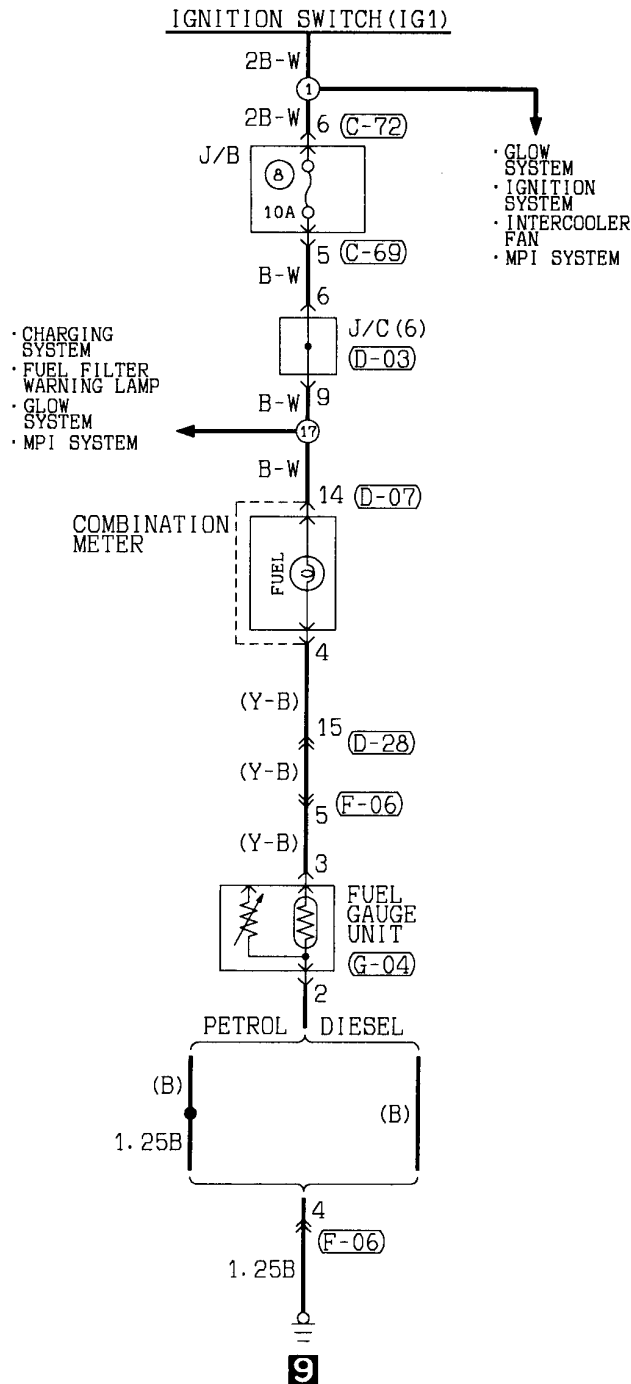
METER AND GAUGE <L.H. drive vehicles> (CONTINUED)



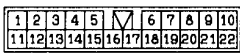
FUEL WARNING LAMP

L.H. drive vehicles

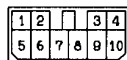
1



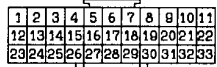
(C-69)



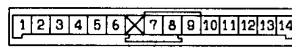
(C-72)



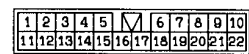
(D-03)



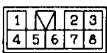
(D-07)



(D-28)



(F-06)



(G-04)



Wire colour code

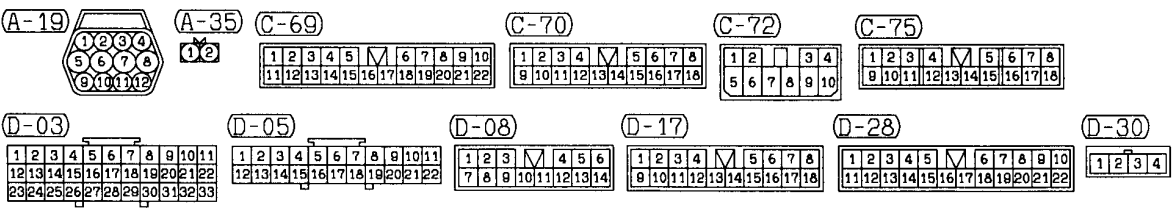
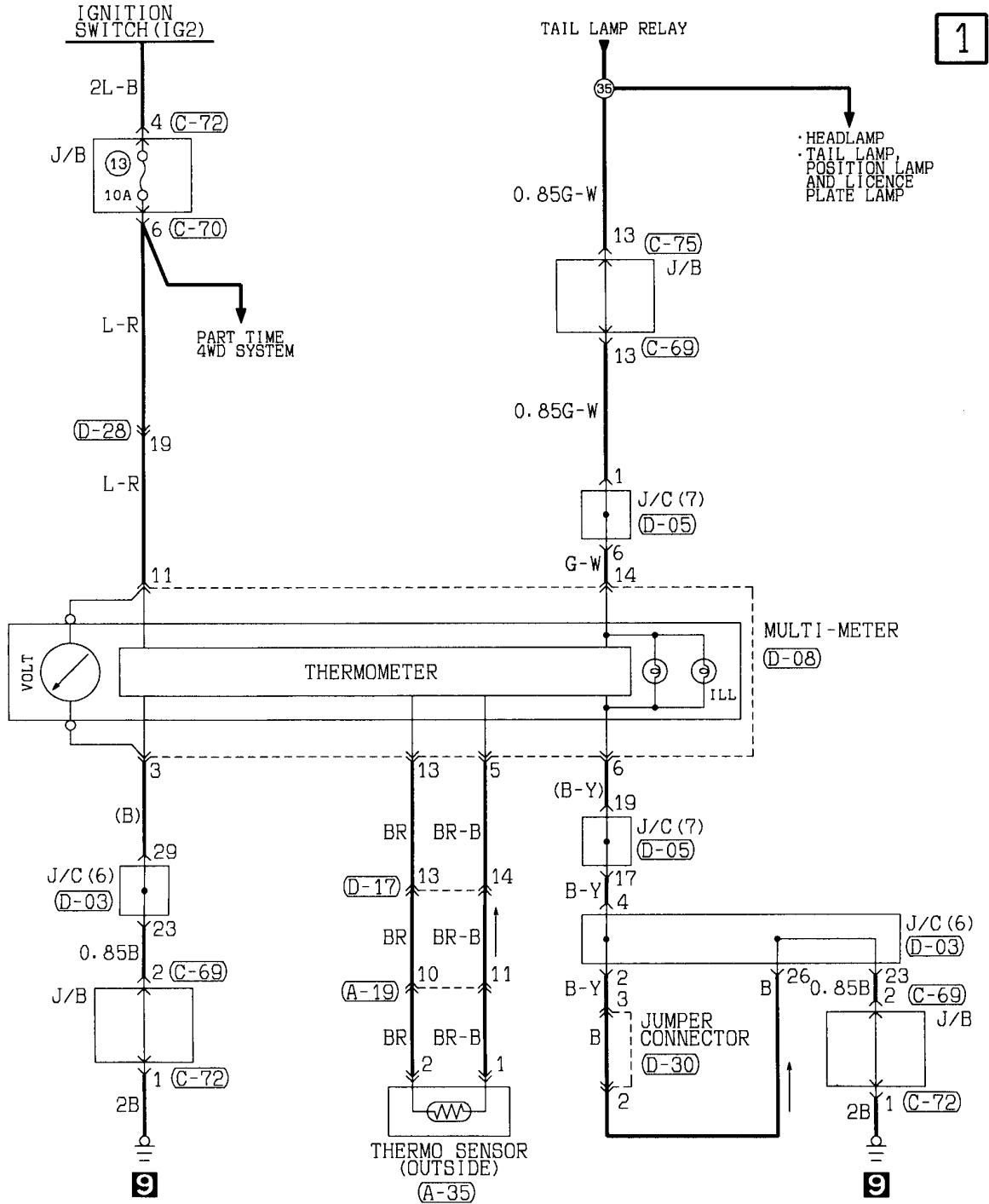
B : Black LG : Light green G : Green L : Blue

BR : Brown O : Orange GR : Gray R : Red

W : White SB : Sky blue P : Pink Y : Yellow

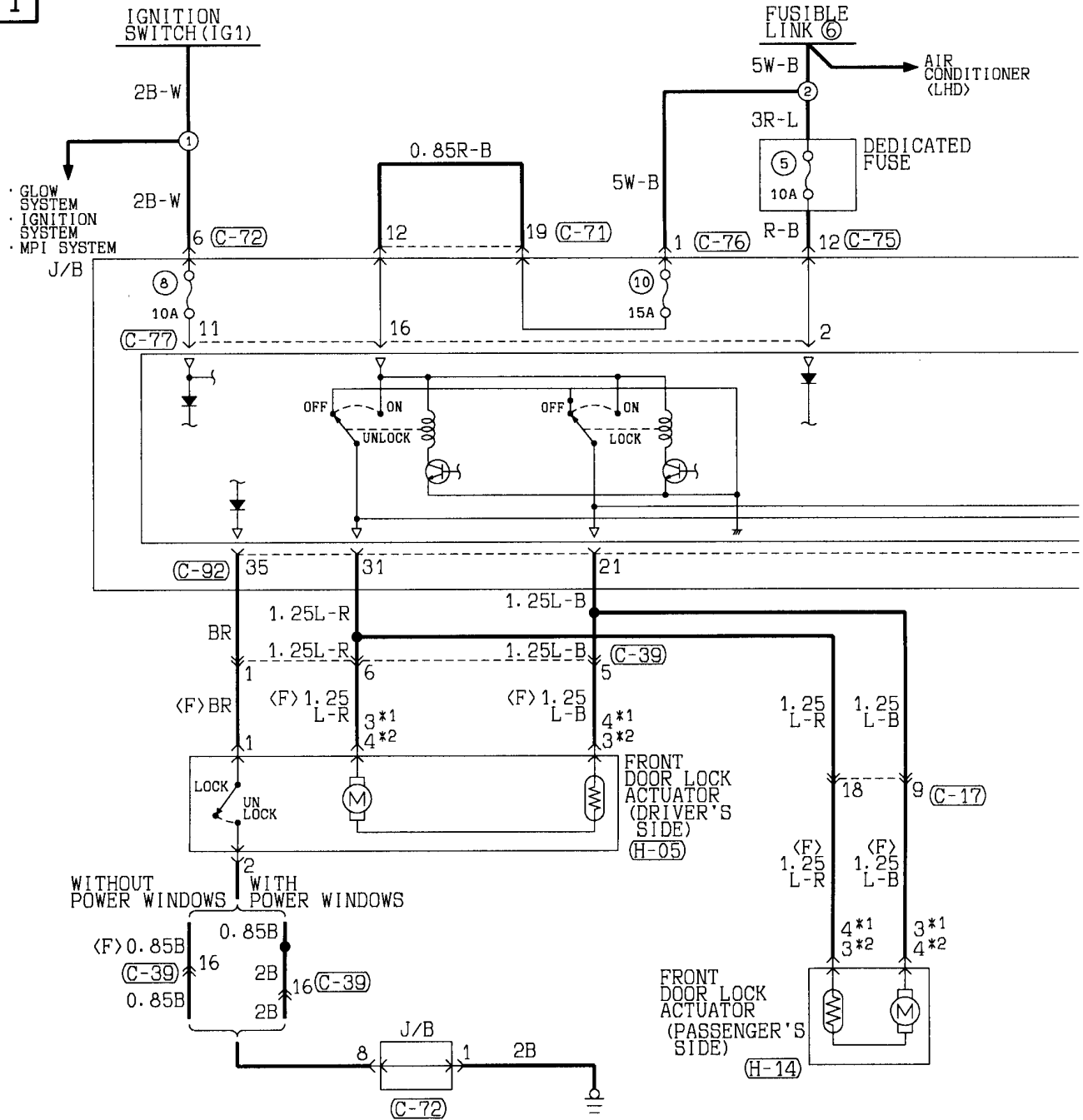
V : Violet

MULTI-METER



CENTRAL DOOR LOCKING SYSTEM

1



9

C-01



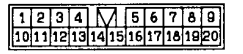
C-05



C-07



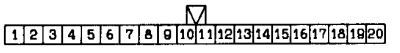
C-17



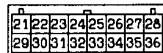
C-26



C-77



C-92



E-16



H-05



H-13



H-14

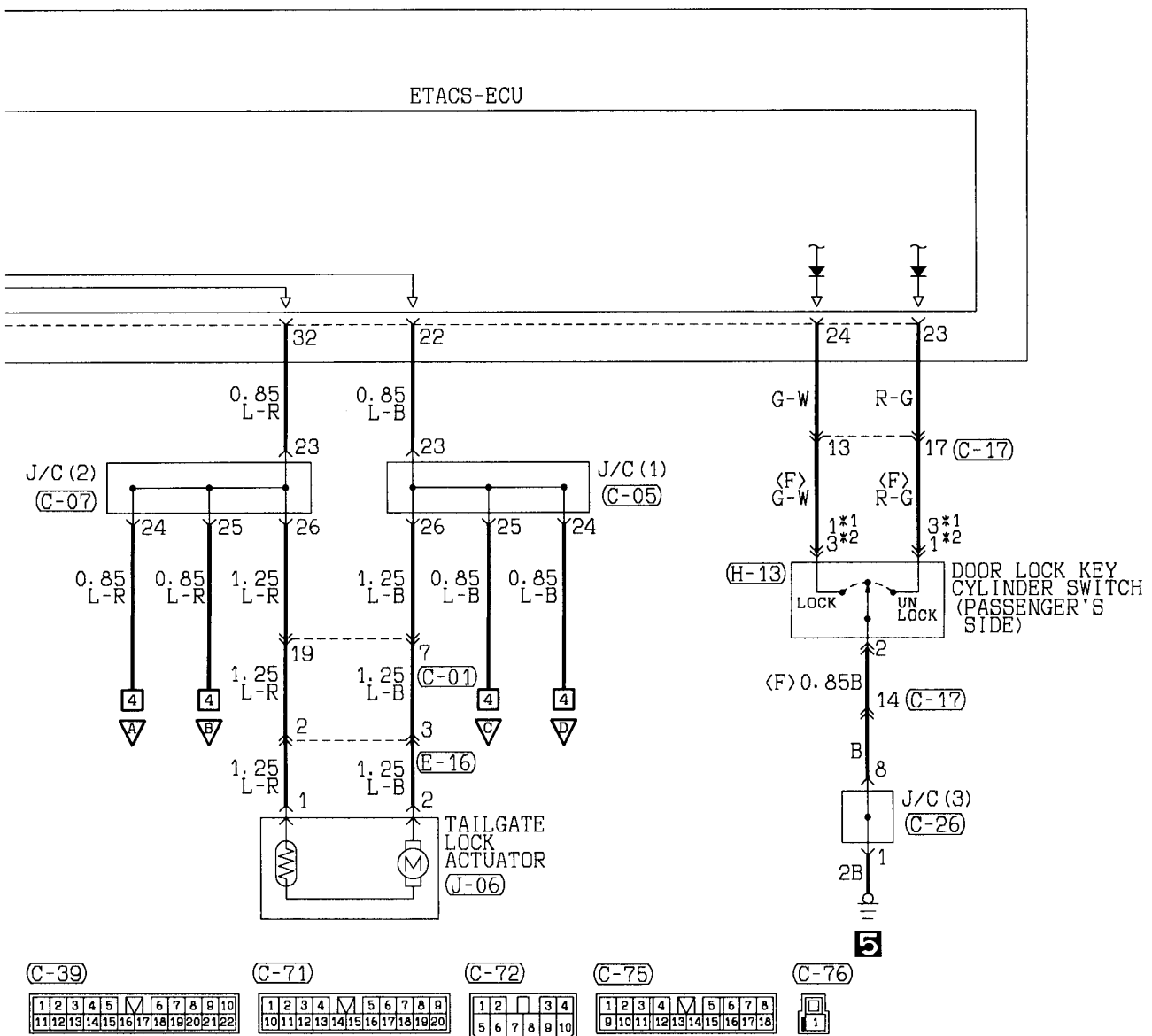


J-06



2

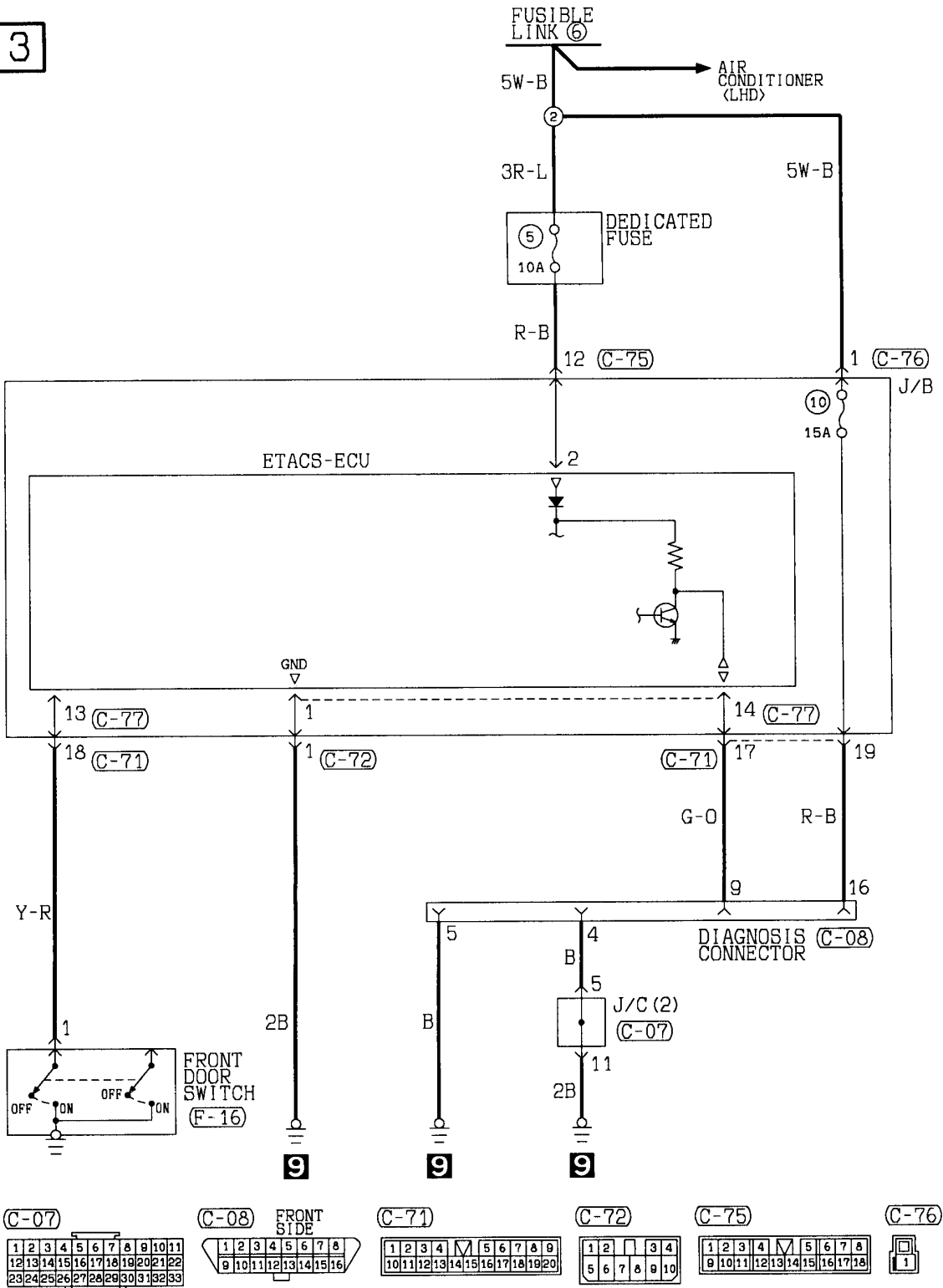
Remarks
 *1:L.H. drive vehicles
 *2:R.H. drive vehicles



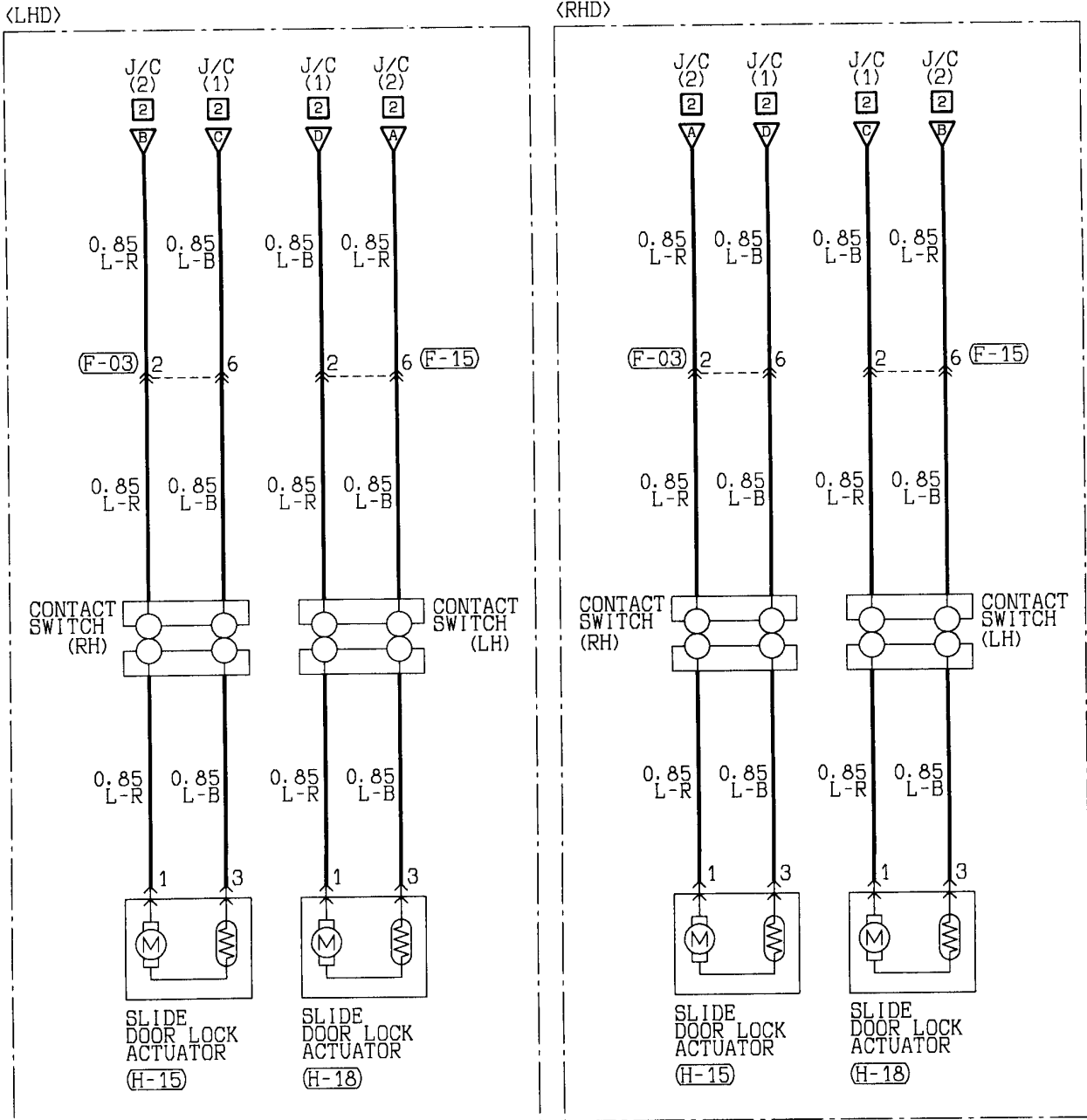
Wire colour code
 B :Black LG:Light green G :Green L :Blue W :White Y :Yellow SB:Sky blue
 BR:Brown O :Orange GR:Gray R :Red P :Pink V :Violet

CENTRAL DOOR LOCKING SYSTEM (CONTINUED)

3



4



(C-77)



(F-03)



(F-15)



(H-15)



(H-18)

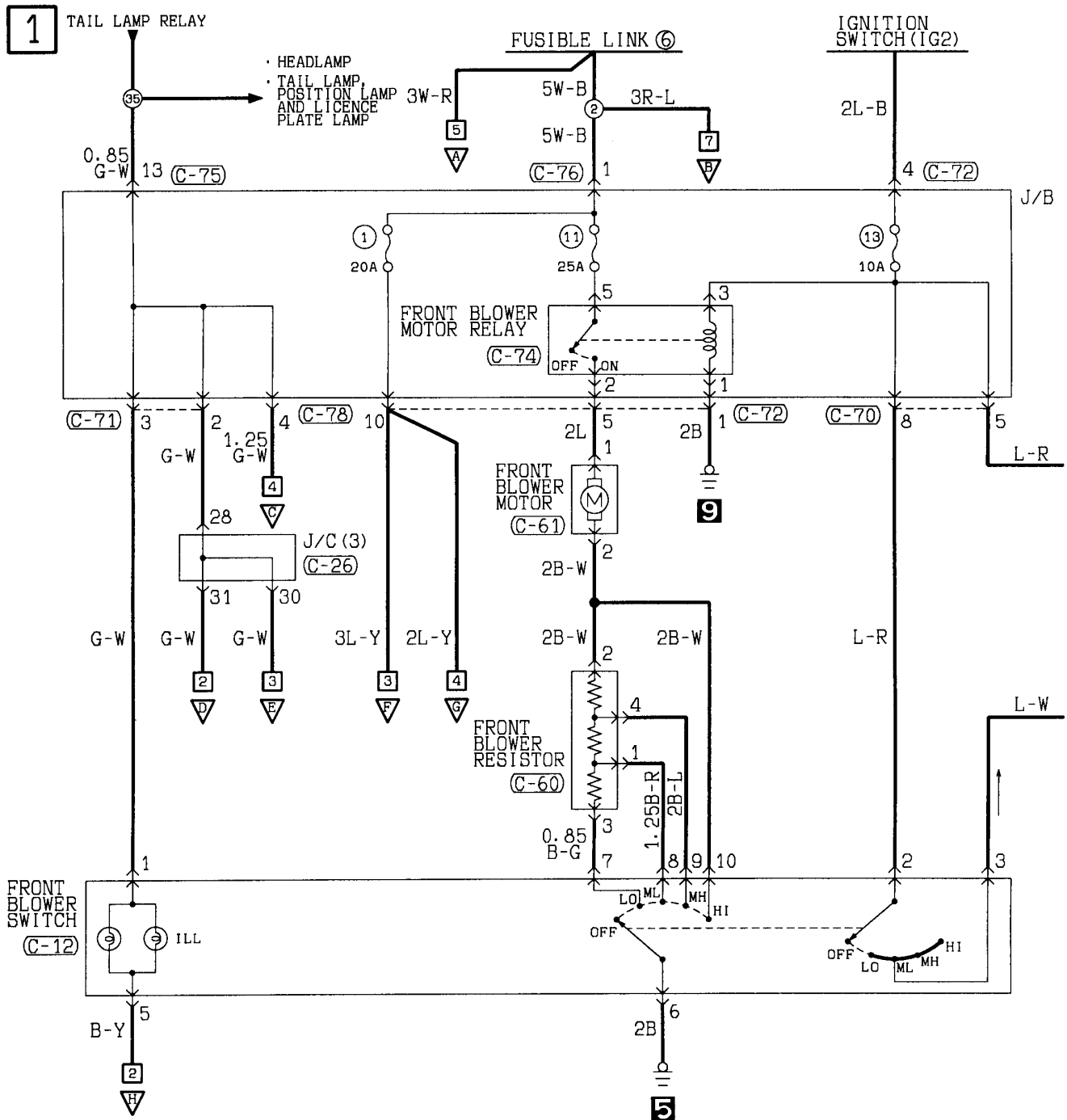


Wire colour code

B :Black LG:Light green G :Green L :Blue W :White Y :Yellow SB:Sky blue
 BR:Brown O :Orange GR:Gray R :Red P :Pink V :Violet

DUAL AIR CONDITIONER

Overhead type (MPI)



C-05

1	2	3	4	5	6	7	8	9	10	11
12	13	14	15	16	17	18	19	20	21	22
23	24	25	26	27	28	29	30	31	32	33

C-07

1	2	3	4	5	6	7	8	9	10	11
12	13	14	15	16	17	18	19	20	21	22
23	24	25	26	27	28	29	30	31	32	33

C-12

1	2	3	4
5	6	7	8
9	10		

C-14

1	2
3	4
5	6

C-26

1	2	3	4	5	6	7	8	9	10	11
12	13	14	15	16	17	18	19	20	21	22
23	24	25	26	27	28	29	30	31	32	33

C-60

1	2
3	4

C-61

1	2
---	---

C-78

1	2	3	4	5	6	7	8	9
10	11	12	13	14	15	16	17	18
19	20	21	22	23	24	25	26	27
28	29	30	31	32	33			

D-03

1	2	3	4	5	6	7	8	9	10	11
12	13	14	15	16	17	18	19	20	21	22
23	24	25	26	27	28	29	30	31	32	33

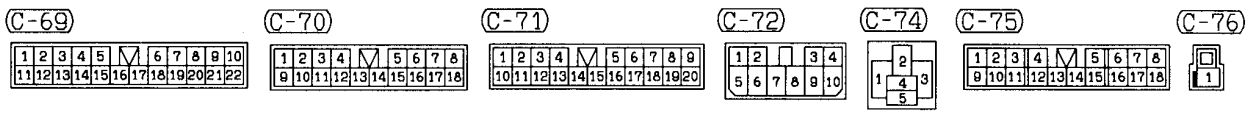
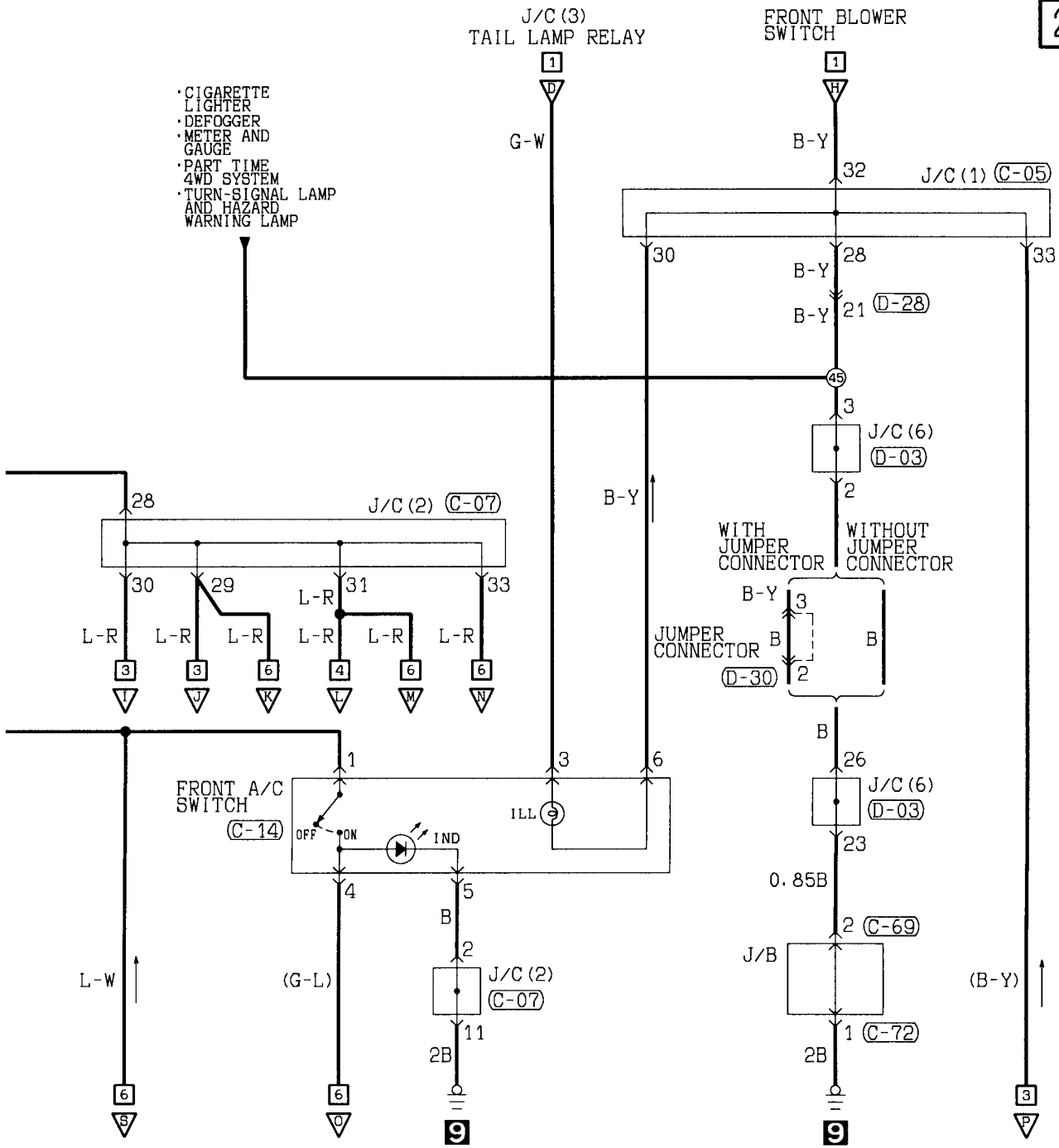
D-28

1	2	3	4	5	6	7	8	9	10
11	12	13	14	15	16	17	18	19	20
21	22								

D-30

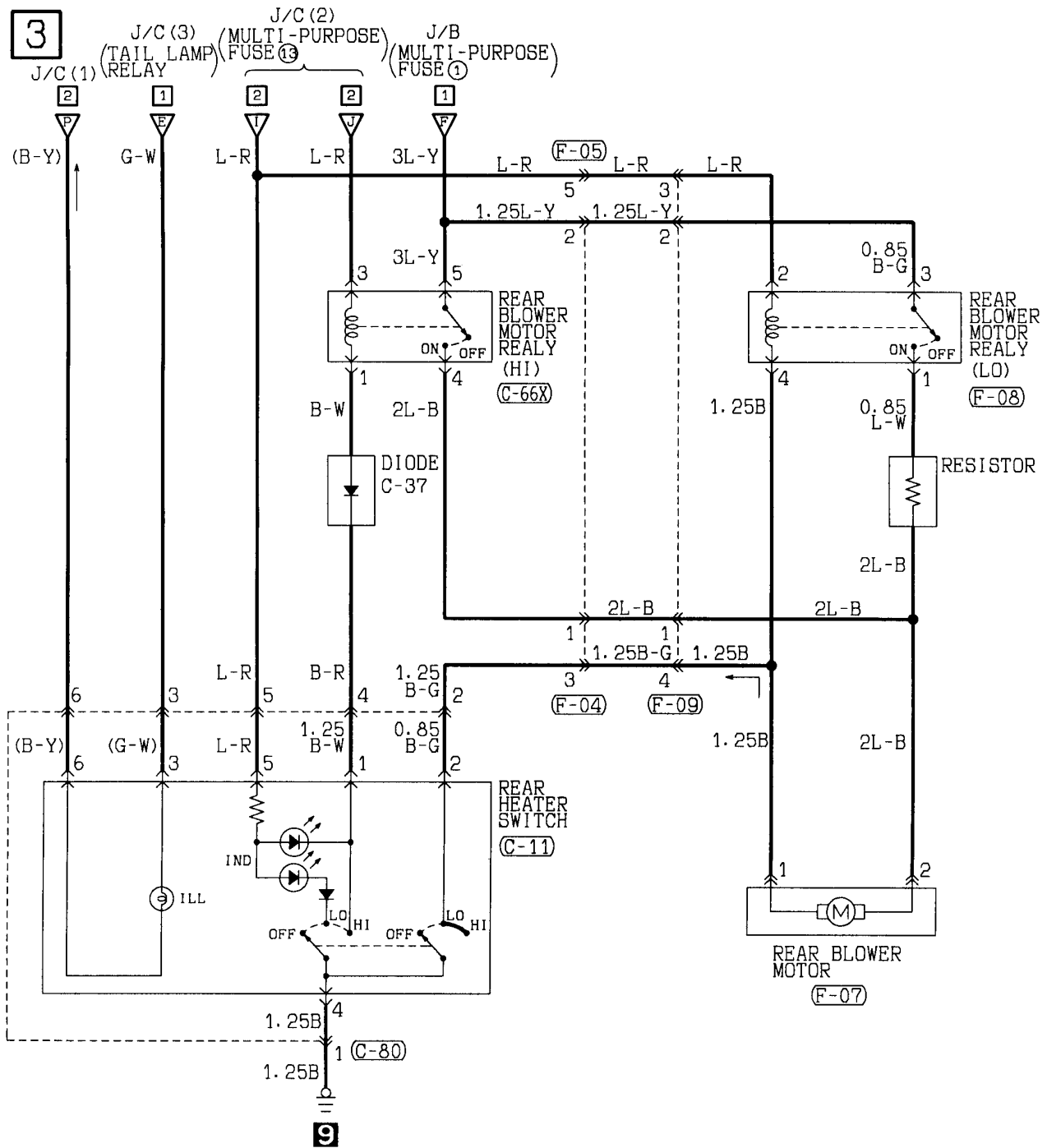
1	2	3	4
---	---	---	---

2



Wire colour code
 B : Black LG:Light green G :Green L :Blue W :White Y :Yellow SB:Sky blue
 BR:Brown O :Orange GR:Gray R :Red P :Pink V :Violet

DUAL AIR CONDITIONER <Overhead type (MPI)> (CONTINUED)



- (C-01)

1	2	3	4	5	6	7	8	9	10		
11	12	13	14	15	16	17	18	19	20	21	22
- (C-02)

M			
1	2	3	4
- (C-11)

1	2		
3	4	5	6
- (C-66X)

1	2	3
4		
- (C-80)

1	M	2	
3	4	5	6
- (E-08)

1	M	2	
3	4	5	6
- (F-04)

1	2	3
4	5	6
- (F-05)

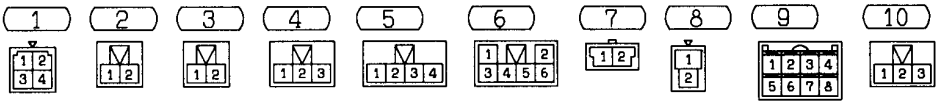
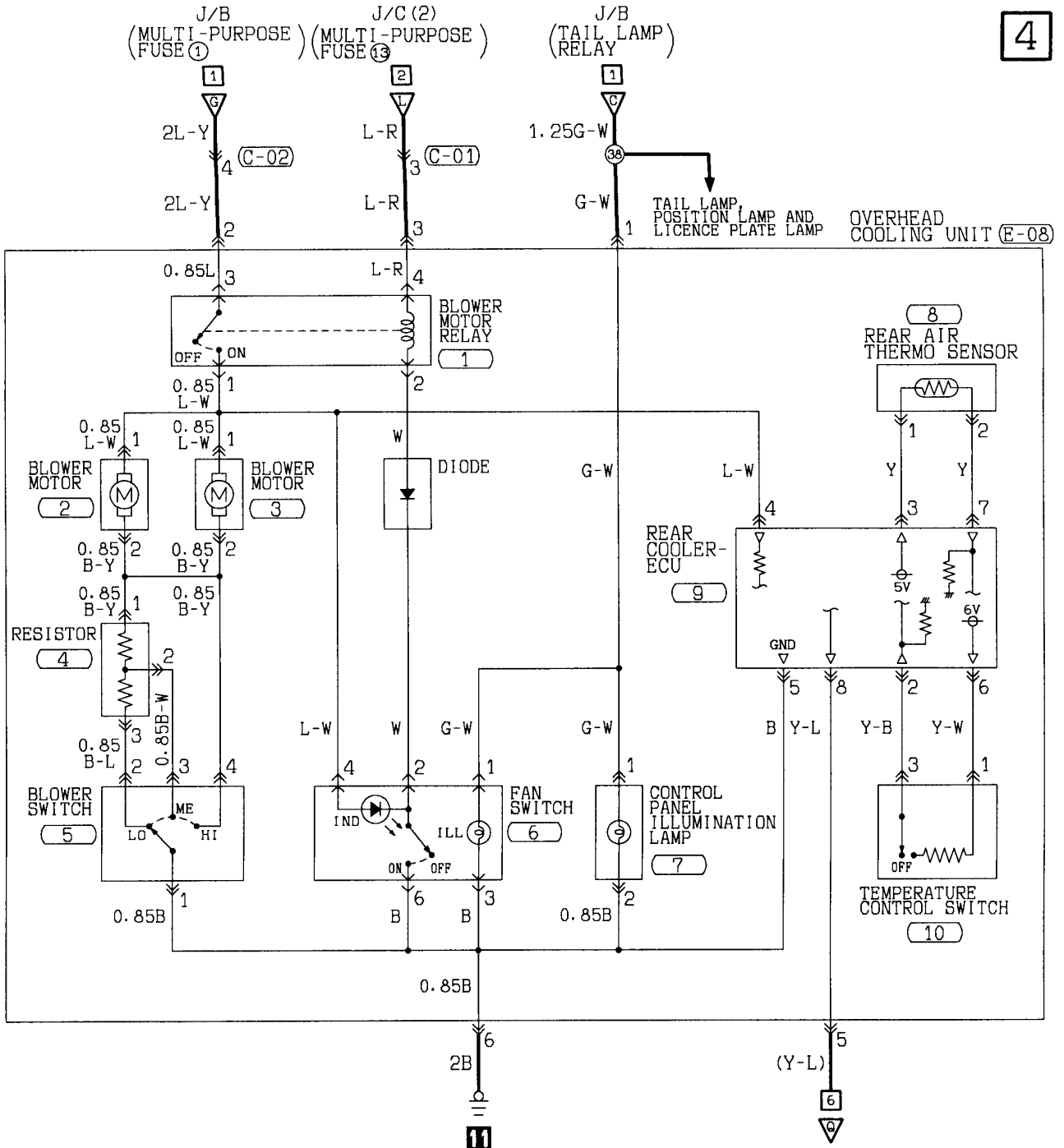
1	X	2		
3	4	5	6	7
- (F-07)

1
2
- (F-08)

1	2
3	4
- (F-09)

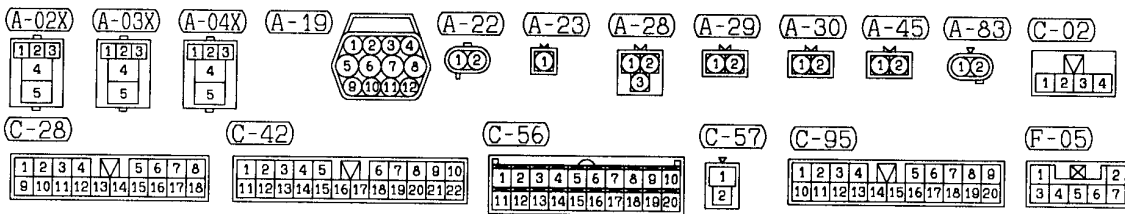
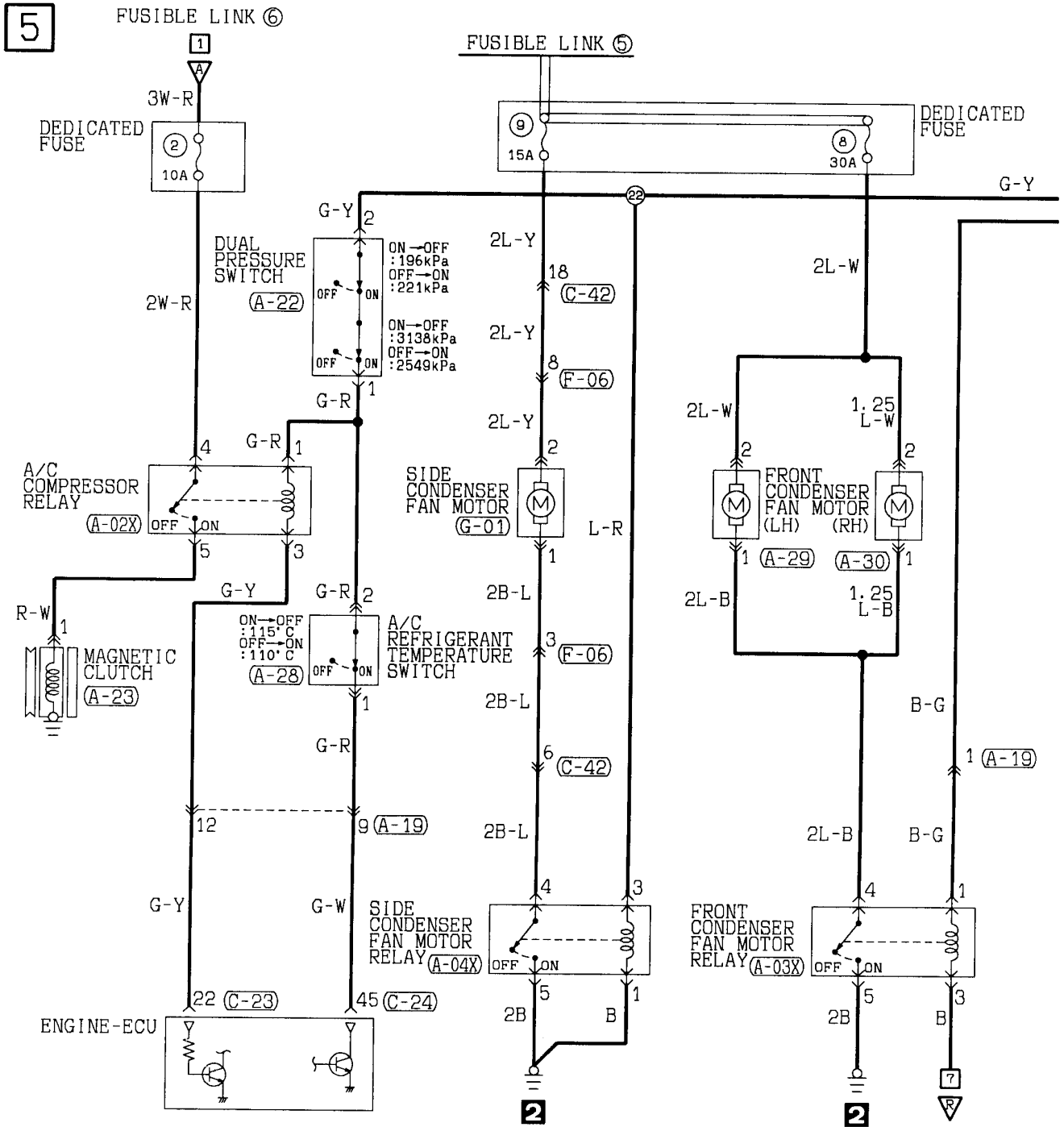
M			
1	2	3	4

4

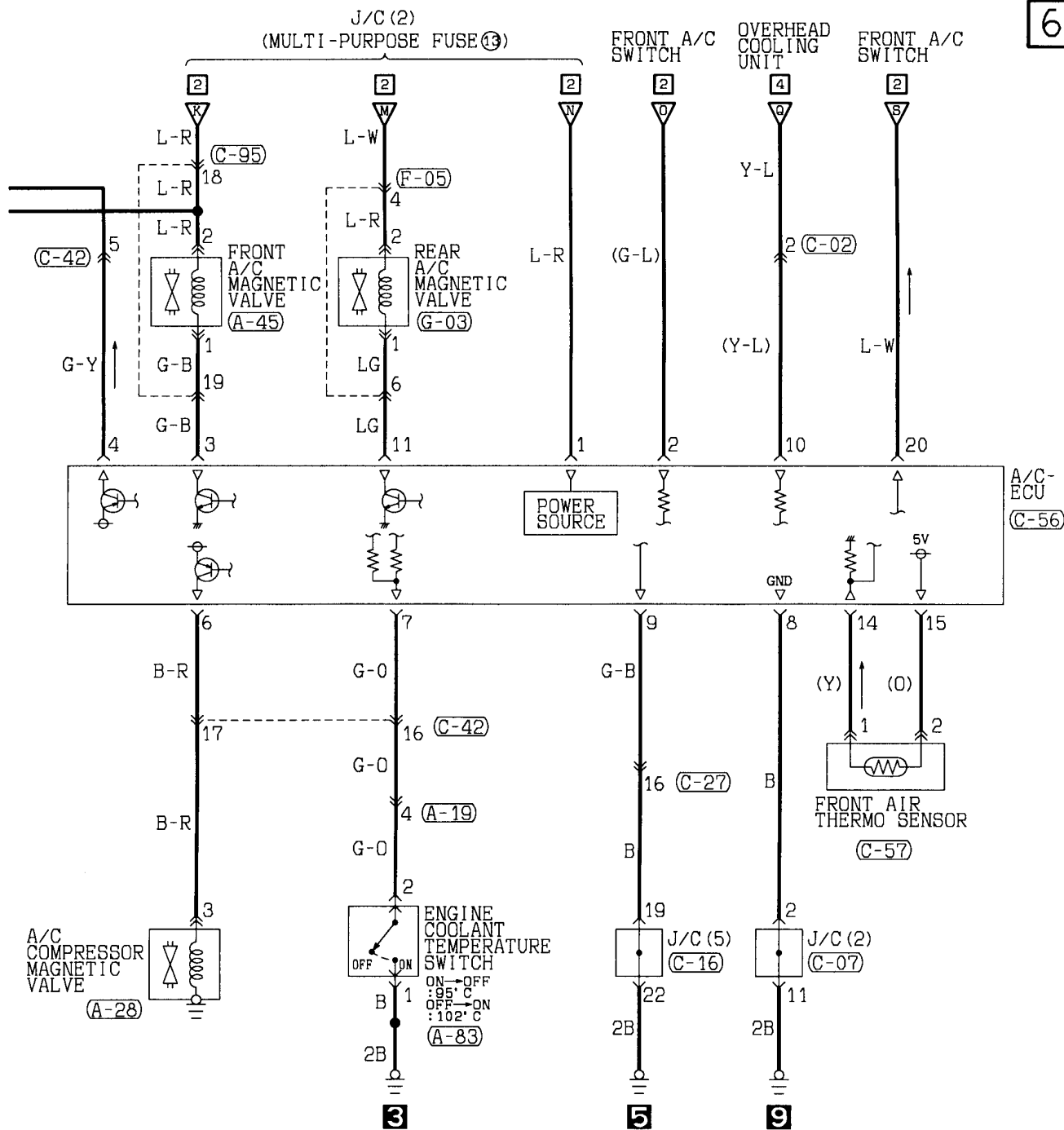


Wire colour code
 B : Black LG : Light green G : Green L : Blue W : White Y : Yellow SB : Sky blue
 BR : Brown O : Orange GR : Gray R : Red P : Pink V : Violet

DUAL AIR CONDITIONER <Overhead type (MPI)> (CONTINUED)



6



C-07

1	2	3	4	5	6	7	8	9	10	11
12	13	14	15	16	17	18	19	20	21	22
23	24	25	26	27	28	29	30	31	32	33

C-16

1	2	3	4	5	6	7	8	9	10	11
12	13	14	15	16	17	18	19	20	21	22

C-23

1	2	3	4	5	6	7	8	9	10	11	12	13
14	15	16	17	18	19	20	21	22	23	24	25	26

C-24

31	32	33	34	35	36	37	38
39	40	41	42	43	44	45	46

C-27

1	2	3	4	5	6	7	8	9	10		
11	12	13	14	15	16	17	18	19	20	21	22

F-06

1	2	3		
4	5	6	7	8

G-01

1	2
---	---

G-03

1	2
---	---

Wire colour code
 B : Black
 BR : Brown
 W : White
 V : Violet

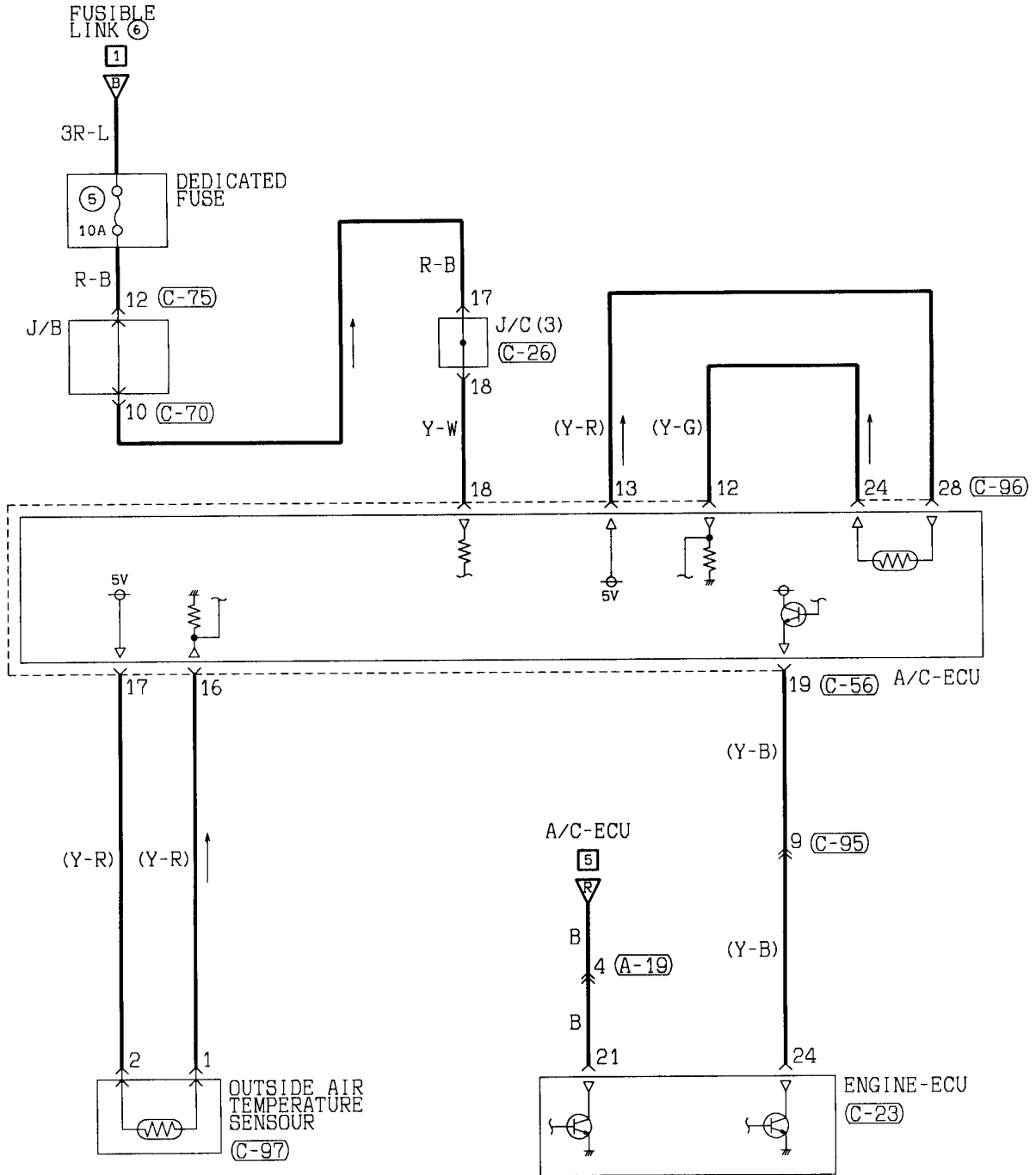
LG : Light green
 O : Orange
 SB : Sky blue

G : Green
 GR : Gray
 P : Pink

L : Blue
 R : Red
 Y : Yellow

DUAL AIR CONDITIONER <Overhead type (MPI)> (CONTINUED)

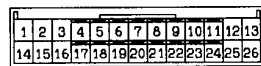
7



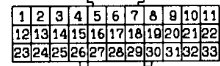
A-19



C-23



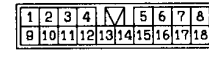
C-26



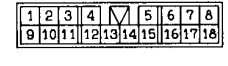
C-56



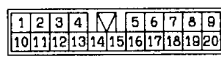
C-70



C-75



C-95



C-96



C-97



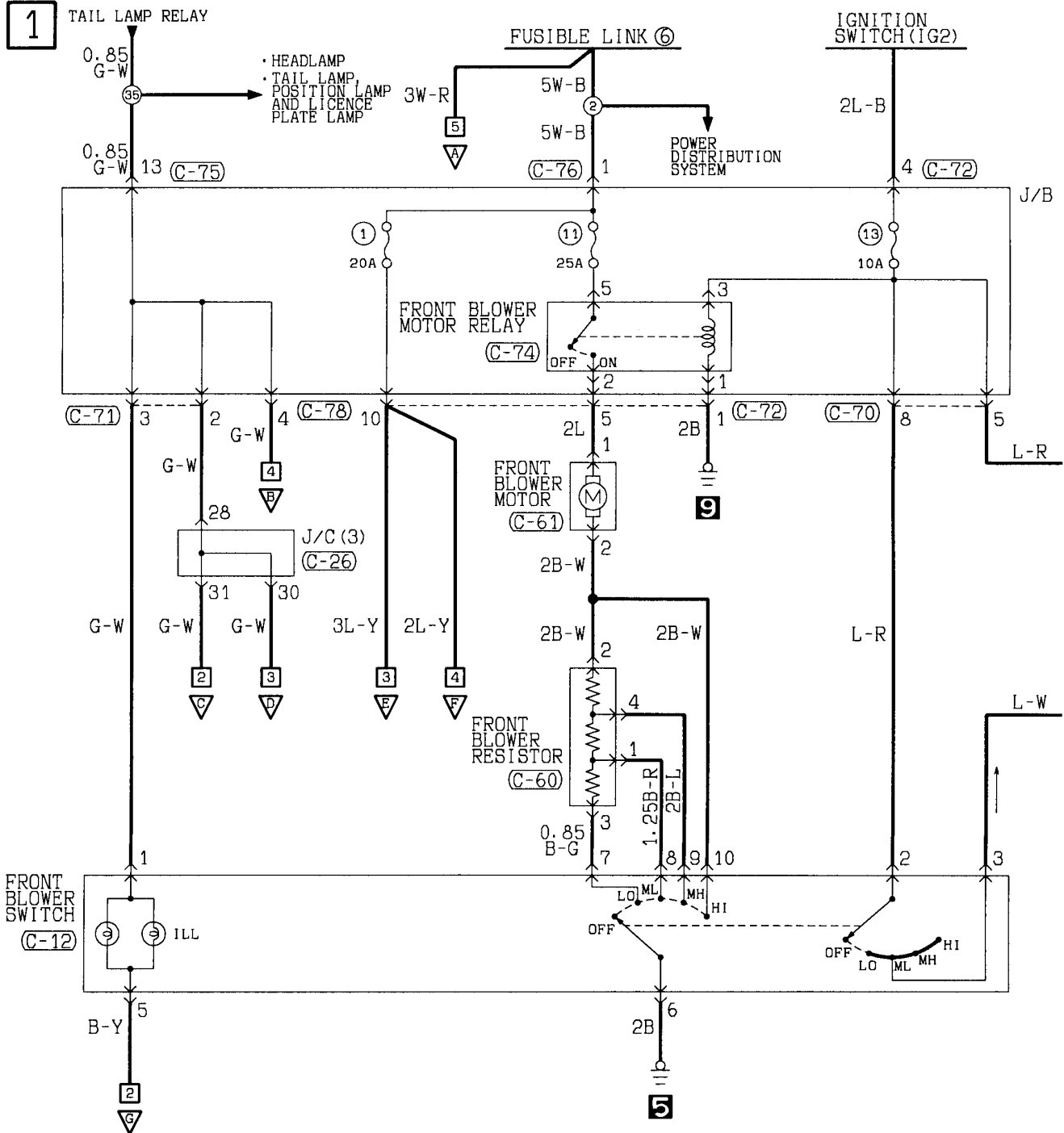
Wire colour code
 B : Black LG : Light green
 BR : Brown O : Orange
 W : White SB : Sky blue
 V : Violet

G : Green L : Blue
 GR : Gray R : Red
 P : Pink Y : Yellow

NOTES

DUAL AIR CONDITIONER

Overhead type (Diesel)



C-05

1	2	3	4	5	6	7	8	9	10	11
12	13	14	15	16	17	18	19	20	21	22
23	24	25	26	27	28	29	30	31	32	33

C-07

1	2	3	4	5	6	7	8	9	10	11
12	13	14	15	16	17	18	19	20	21	22
23	24	25	26	27	28	29	30	31	32	33

C-12

1	2	3	4
5	6	7	8
9	10		

C-14

1	2
3	4
5	6

C-26

1	2	3	4	5	6	7	8	9	10	11
12	13	14	15	16	17	18	19	20	21	22
23	24	25	26	27	28	29	30	31	32	33

C-60

1	2
3	4

C-61

1	2
---	---

C-78

1	2	3	4	5	6	7	8	9
10	11	12	13	14	15	16	17	18
19	20	21	22	23	24	25	26	27

D-03

1	2	3	4	5	6	7	8	9	10	11
12	13	14	15	16	17	18	19	20	21	22
23	24	25	26	27	28	29	30	31	32	33

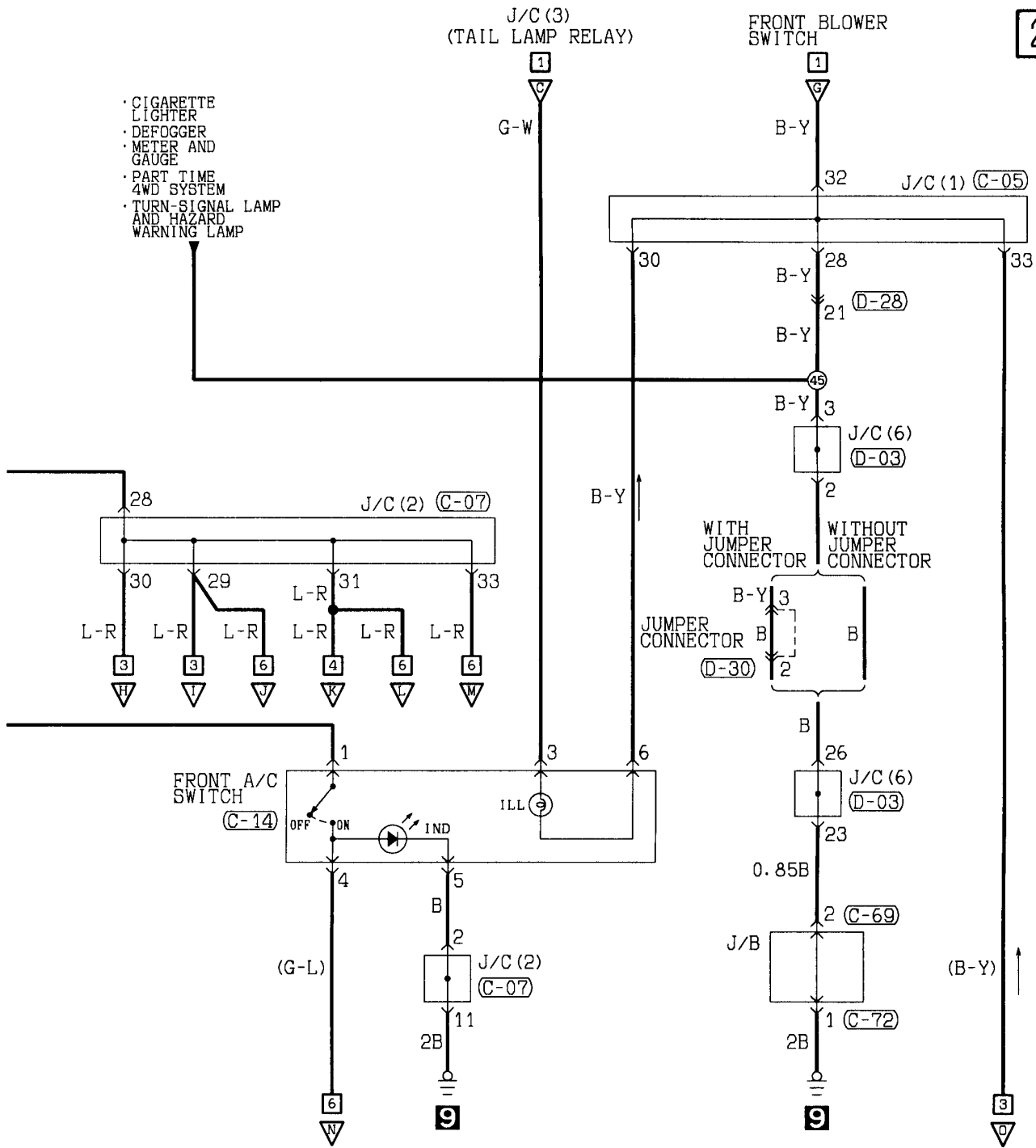
D-28

1	2	3	4	5	6	7	8	9	10
11	12	13	14	15	16	17	18	19	20
21	22								

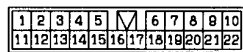
D-30

1	2	3	4
---	---	---	---

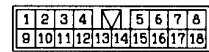
2



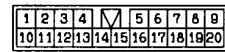
(C-69)



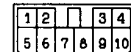
(C-70)



(C-71)



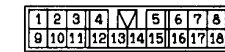
(C-72)



(C-74)



(C-75)

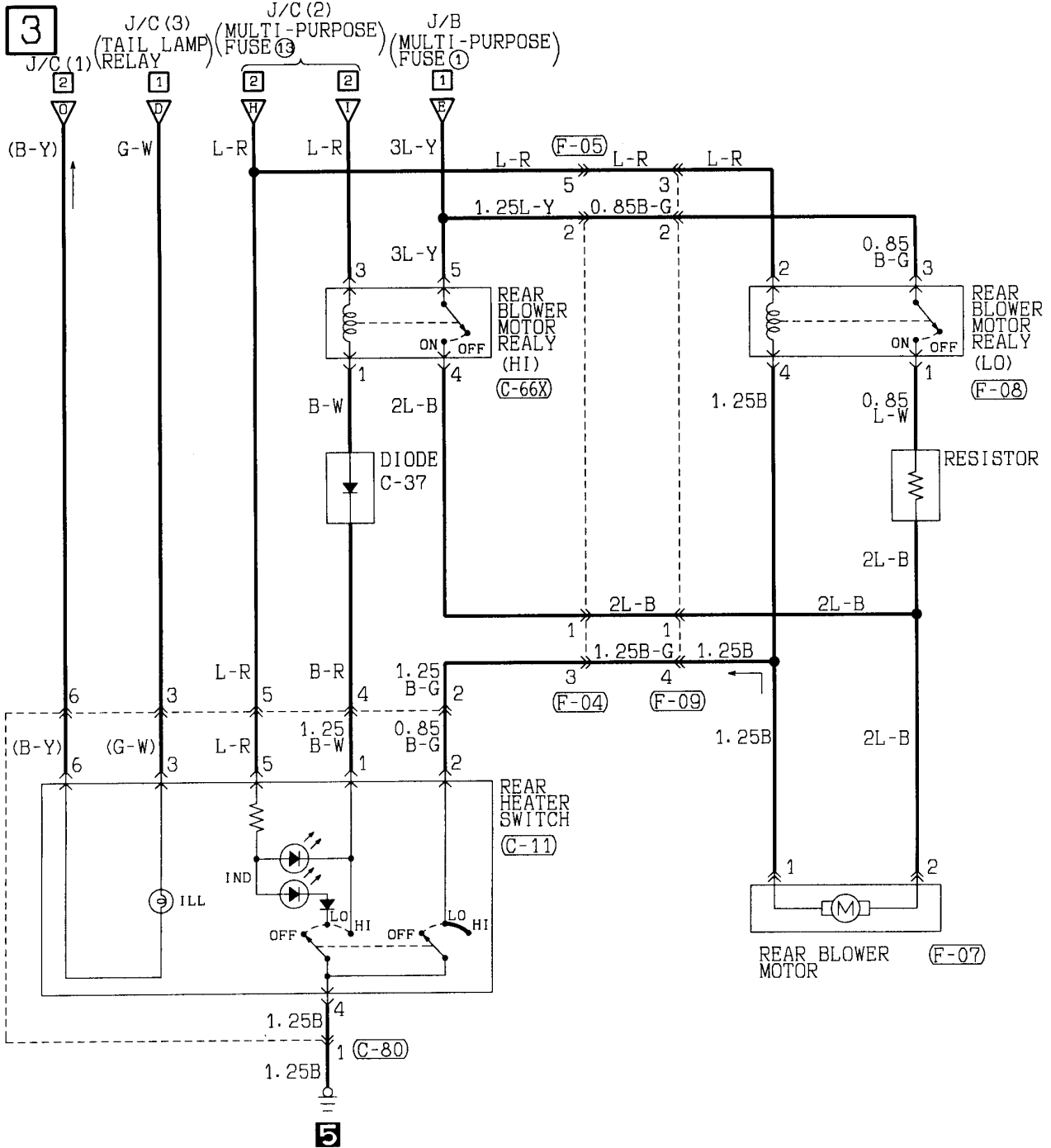


(C-76)



Wire colour code
 B :Black LG:Light green G :Green L :Blue W :White Y :Yellow SB:Sky blue
 BR:Brown O :Orange GR:Gray R :Red P :Pink V :Violet

DUAL AIR CONDITIONER <Overhead type (Diesel)> (CONTINUED)



- (C-01)

1	2	3	4	5	6	7	8	9	10		
11	12	13	14	15	16	17	18	19	20	21	22
- (C-02)

M	1	2	3	4
---	---	---	---	---
- (C-11)

1	M	2	
3	4	5	6
- (C-66X)

1	2	3
4	5	
- (C-80)

1	M	2	
3	4	5	6
- (E-08)

1	M	2	
3	4	5	6
- (F-04)

1	2	3
4	5	6
- (F-05)

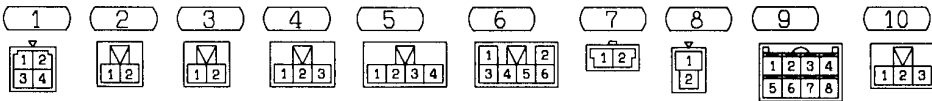
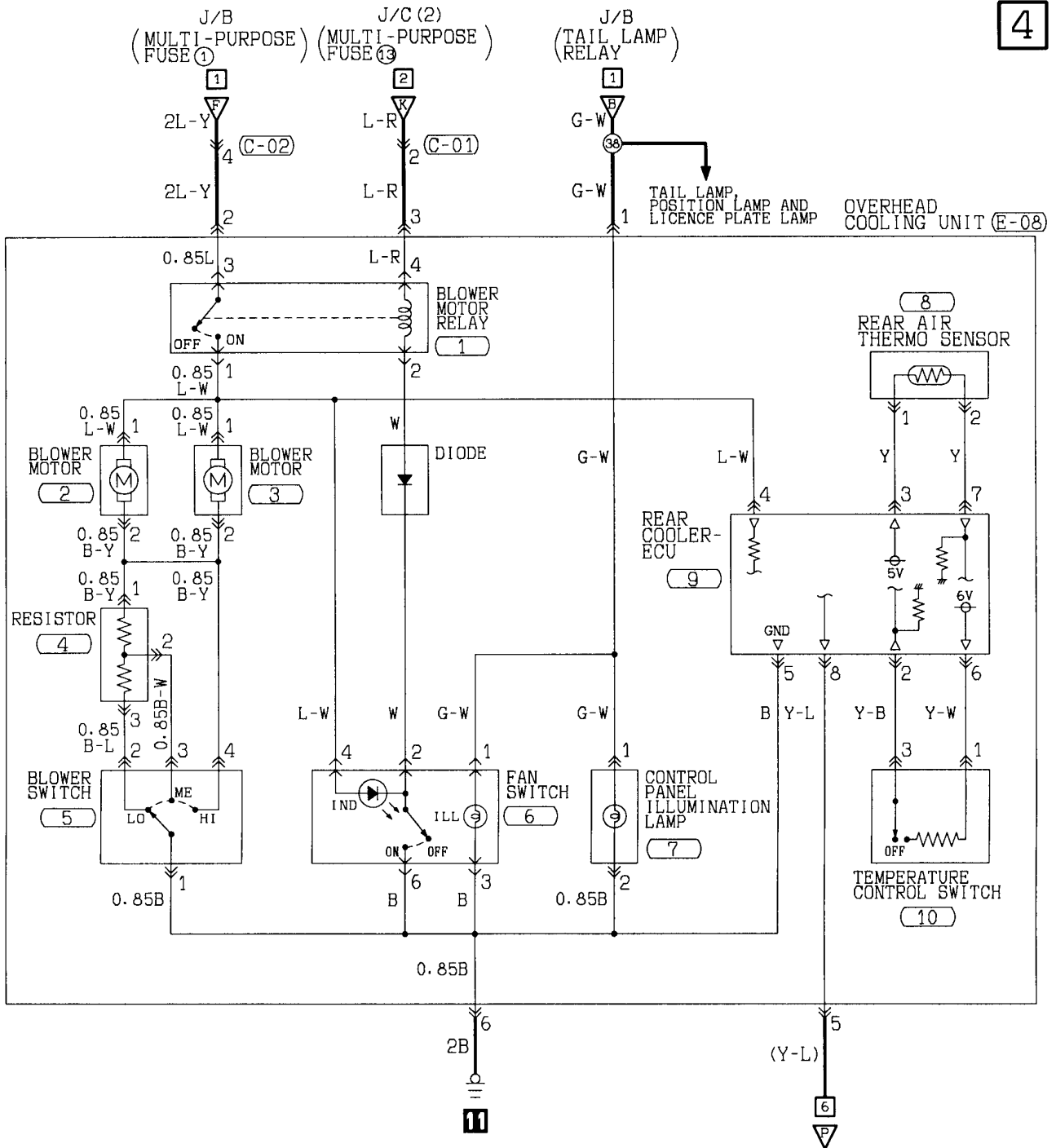
1	X	2		
3	4	5	6	7
- (F-07)

1	2
---	---
- (F-08)

1	2
3	4
- (F-09)

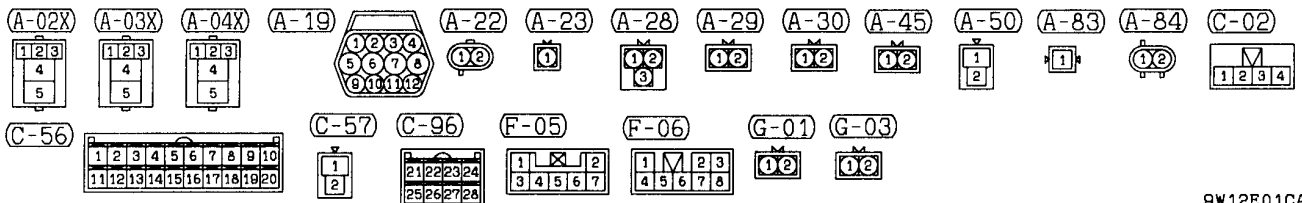
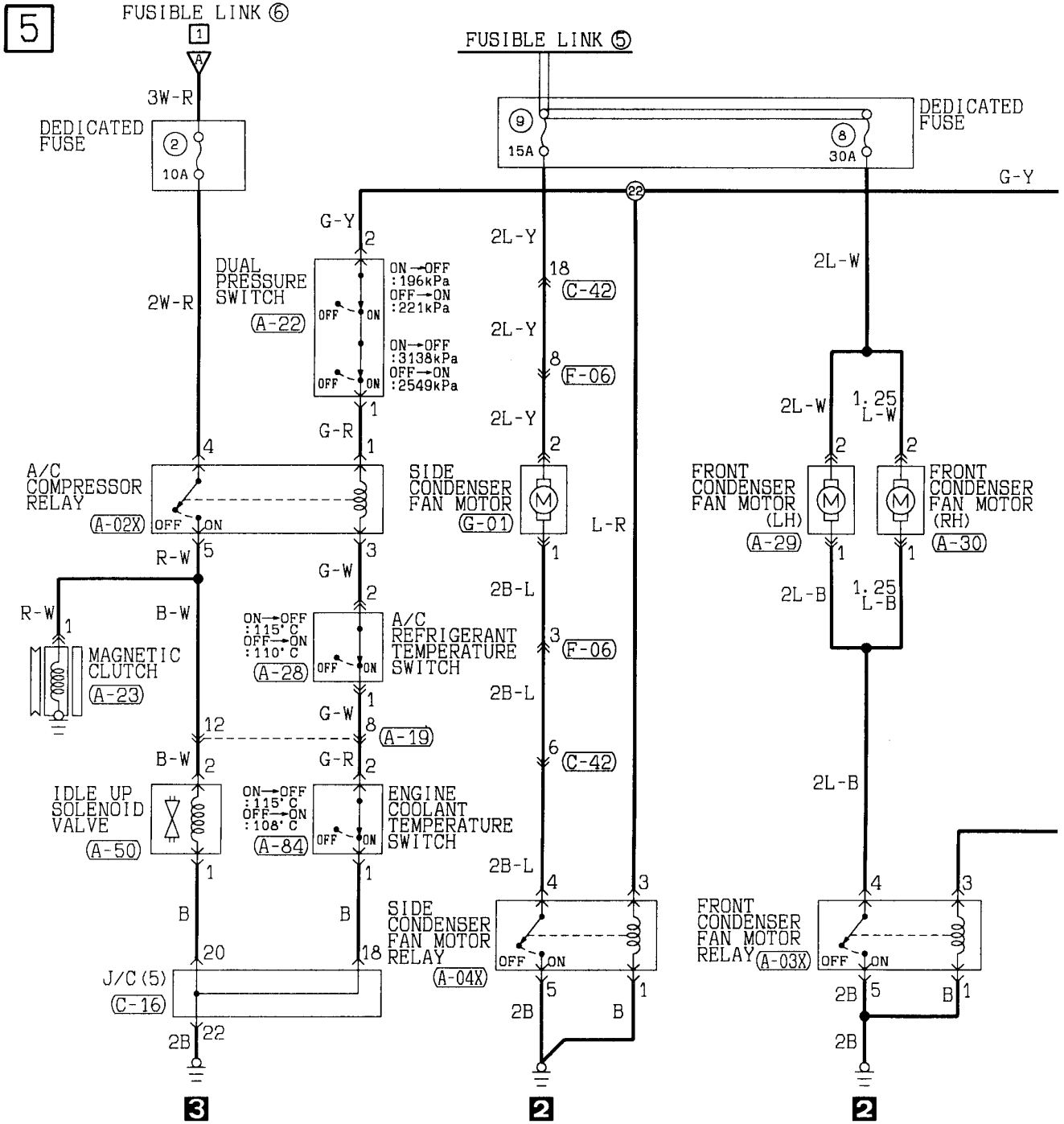
M	1	2	3	4
---	---	---	---	---

4

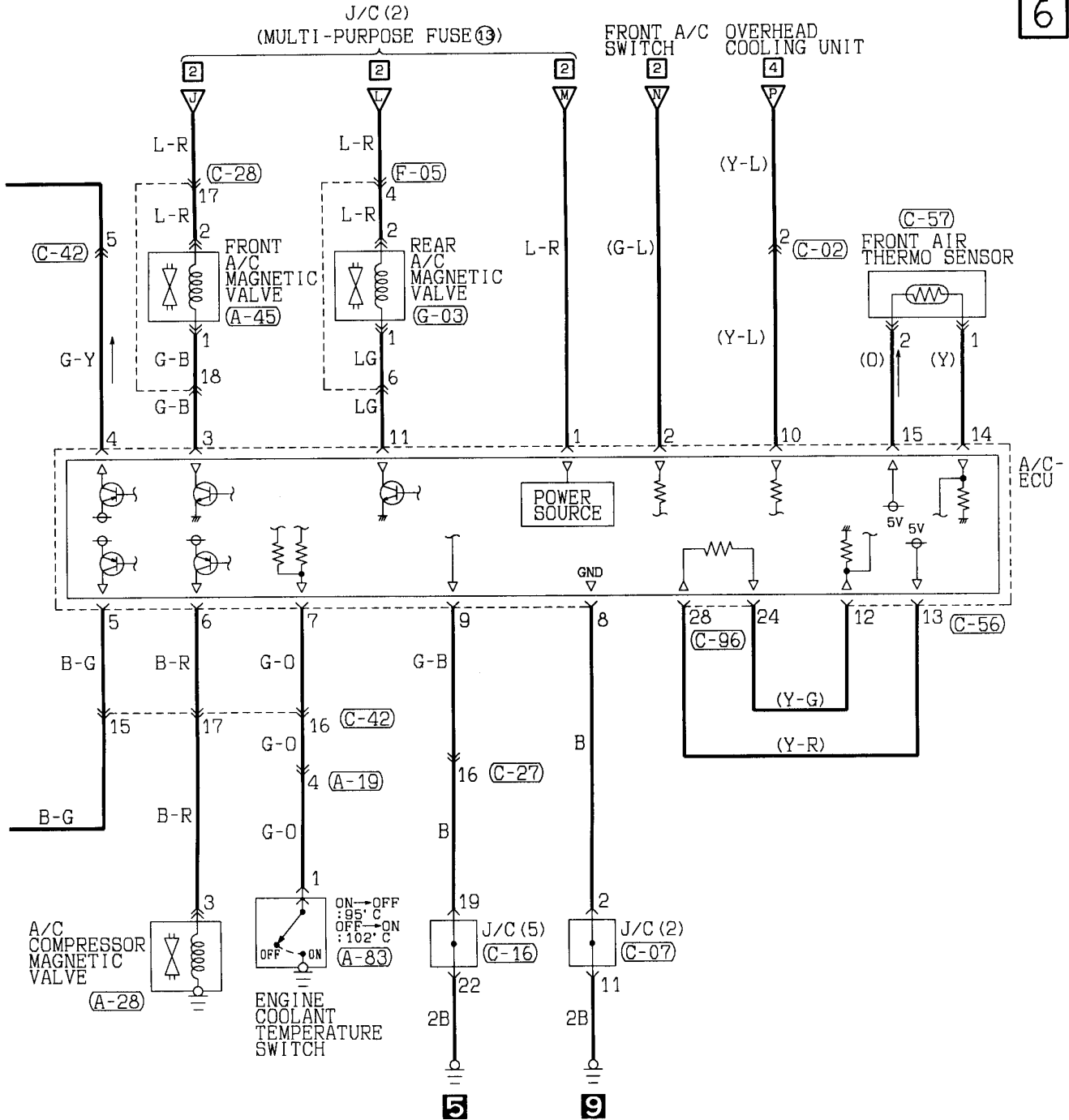


Wire colour code
 B : Black LG: Light green G : Green L : Blue W : White Y : Yellow SB: Sky blue
 BR: Brown O : Orange GR: Gray R : Red P : Pink V : Violet

DUAL AIR CONDITIONER <Overhead type (Diesel)> (CONTINUED)



6



(C-07)

1	2	3	4	5	6	7	8	9	10	11
12	13	14	15	16	17	18	19	20	21	22
23	24	25	26	27	28	29	30	31	32	33

(C-16)

1	2	3	4	5	6	7	8	9	10	11
12	13	14	15	16	17	18	19	20	21	22

(C-27)

1	2	3	4	5	6	7	8	9	10		
11	12	13	14	15	16	17	18	19	20	21	22

(C-28)

1	2	3	4	5	6	7	8		
9	10	11	12	13	14	15	16	17	18

(C-42)

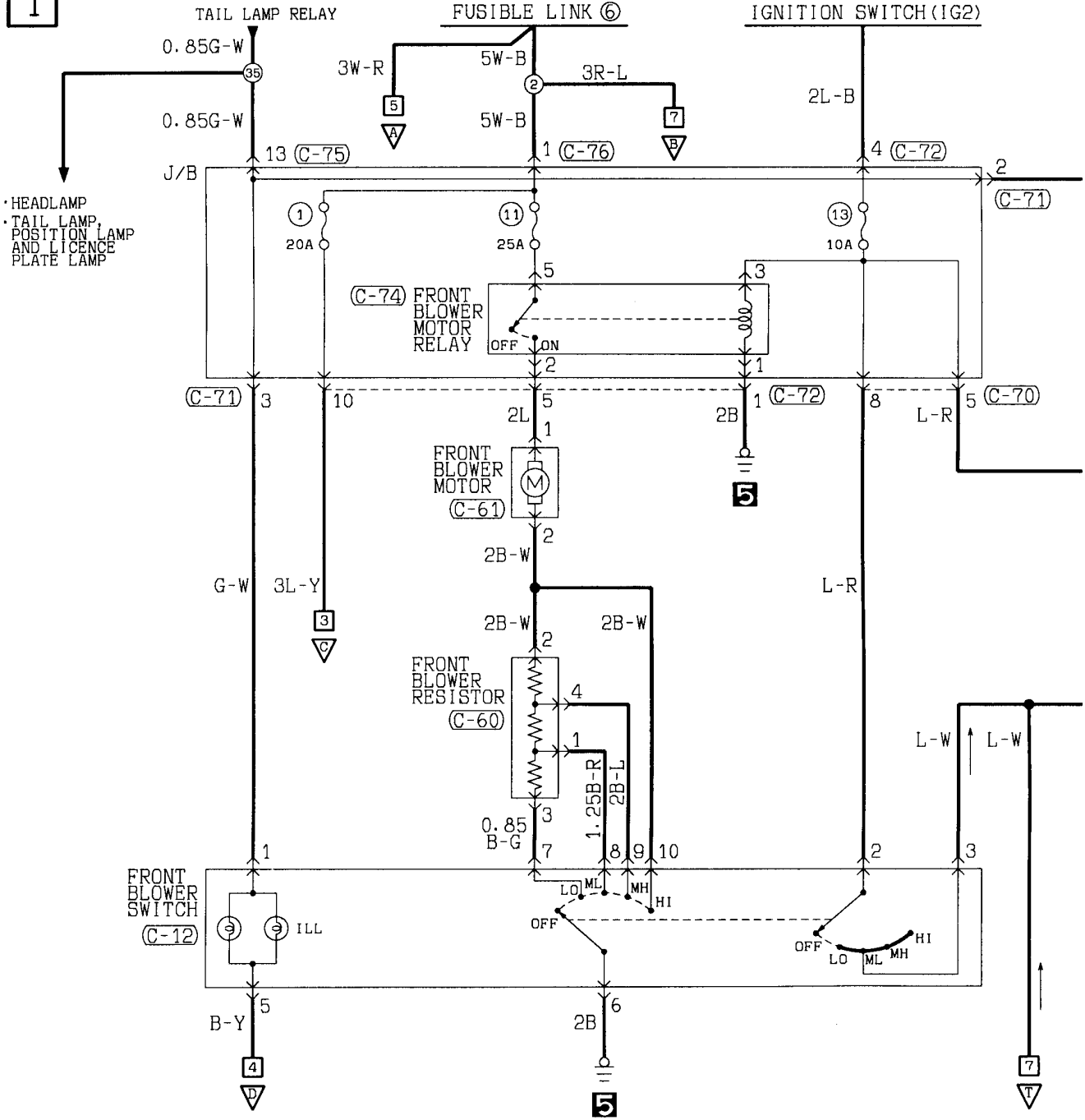
1	2	3	4	5	6	7	8	9	10		
11	12	13	14	15	16	17	18	19	20	21	22

Wire colour code
 B : Black LG : Light green G : Green L : Blue W : White Y : Yellow SB : Sky blue
 BR : Brown O : Orange GR : Gray R : Red P : Pink V : Violet

DUAL AIR CONDITIONER

Built-in type

1



(C-07)

1	2	3	4	5	6	7	8	9	10	11
12	13	14	15	16	17	18	19	20	21	22
23	24	25	26	27	28	29	30	31	32	33

(C-11)

1	2
3	4
5	6

(C-12)

1	2	3	4
5	6	7	8
9	10		

(C-14)

1	2
3	4
5	6

(C-26)

1	2	3	4	5	6	7	8	9	10	11
12	13	14	15	16	17	18	19	20	21	22
23	24	25	26	27	28	29	30	31	32	33

(C-60)

1	2
3	4

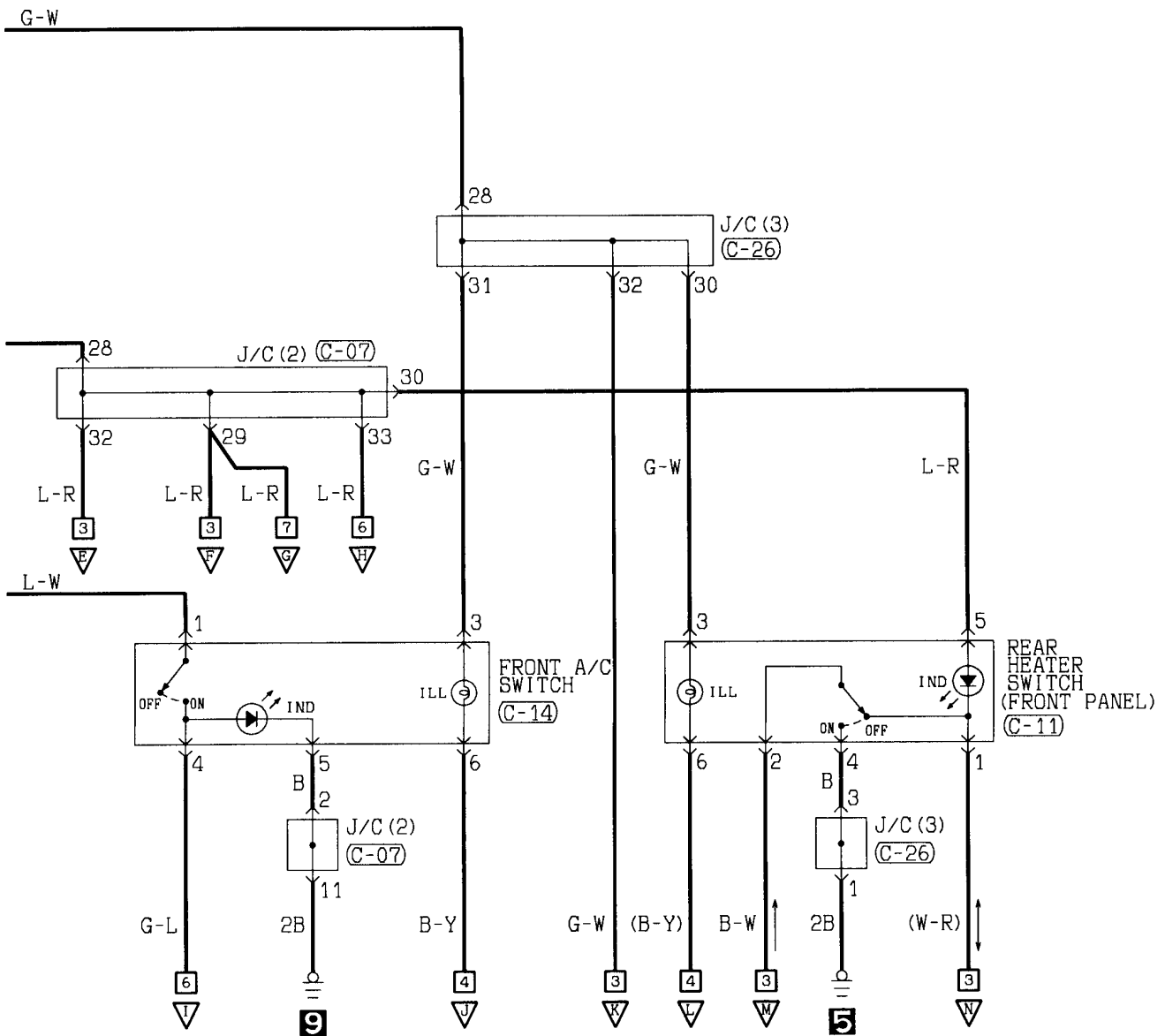
(C-61)

1
2

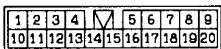
(C-70)

1	2	3	4	5	6	7	8
9	10	11	12	13	14	15	16
17	18						

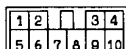
2



(C-71)



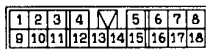
(C-72)



(C-74)



(C-75)



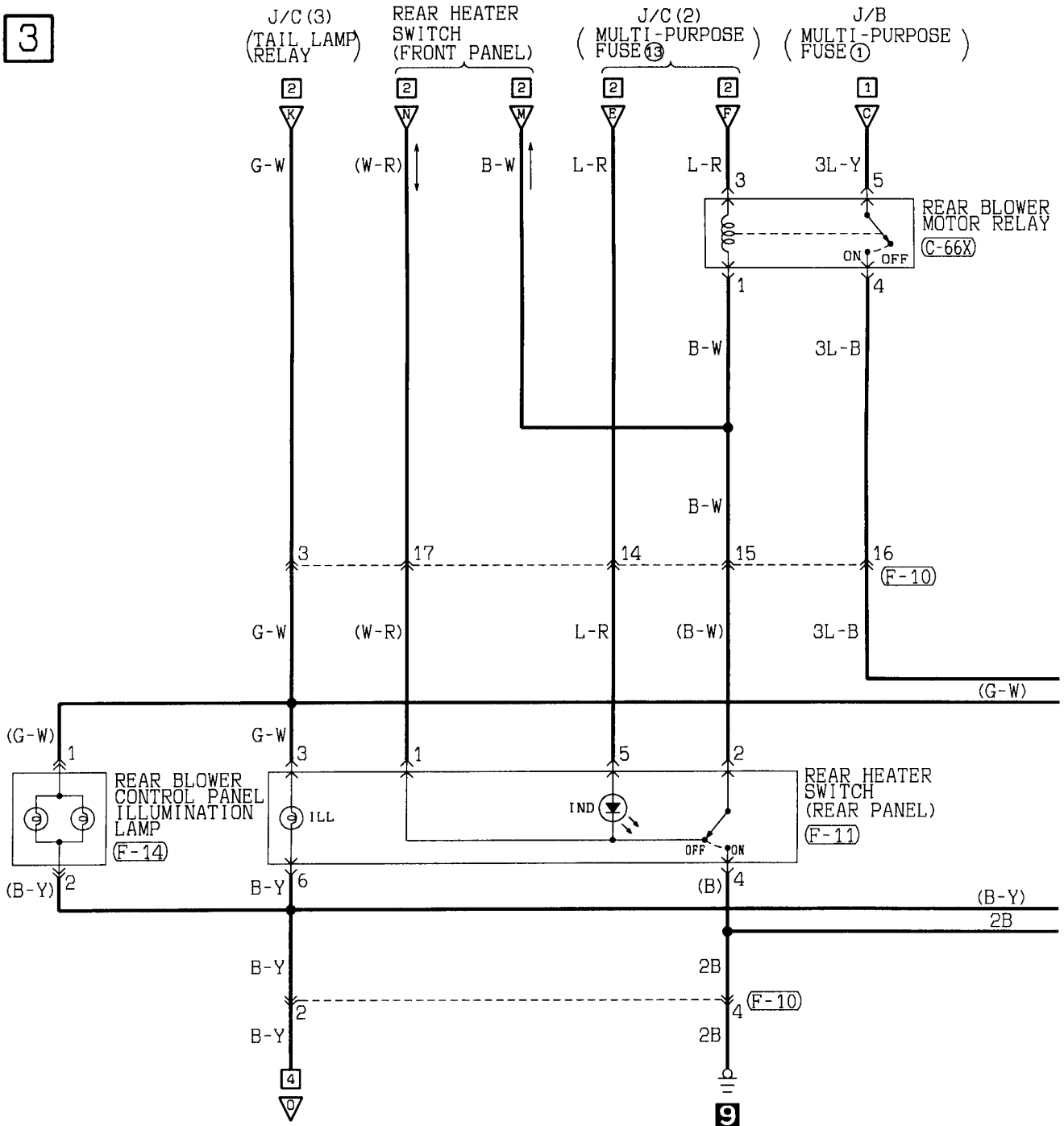
(C-76)



Wire colour code
 B : Black LG : Light green G : Green L : Blue W : White Y : Yellow SB : Sky blue
 BR : Brown O : Orange GR : Gray R : Red P : Pink V : Violet

DUAL AIR CONDITIONER <Built-in type> (CONTINUED)

3



(C-05)

1	2	3	4	5	6	7	8	9	10	11
12	13	14	15	16	17	18	19	20	21	22
23	24	25	26	27	28	29	30	31	32	33

(C-66X)

1	2	3
4		
5		

(D-03)

1	2	3	4	5	6	7	8	9	10	11
12	13	14	15	16	17	18	19	20	21	22
23	24	25	26	27	28	29	30	31	32	33

(D-28)

1	2	3	4	5	6	7	8	9	10		
11	12	13	14	15	16	17	18	19	20	21	22

(F-10)

1	2	3	4	5	6	7	8		
9	10	11	12	13	14	15	16	17	18

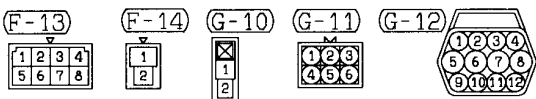
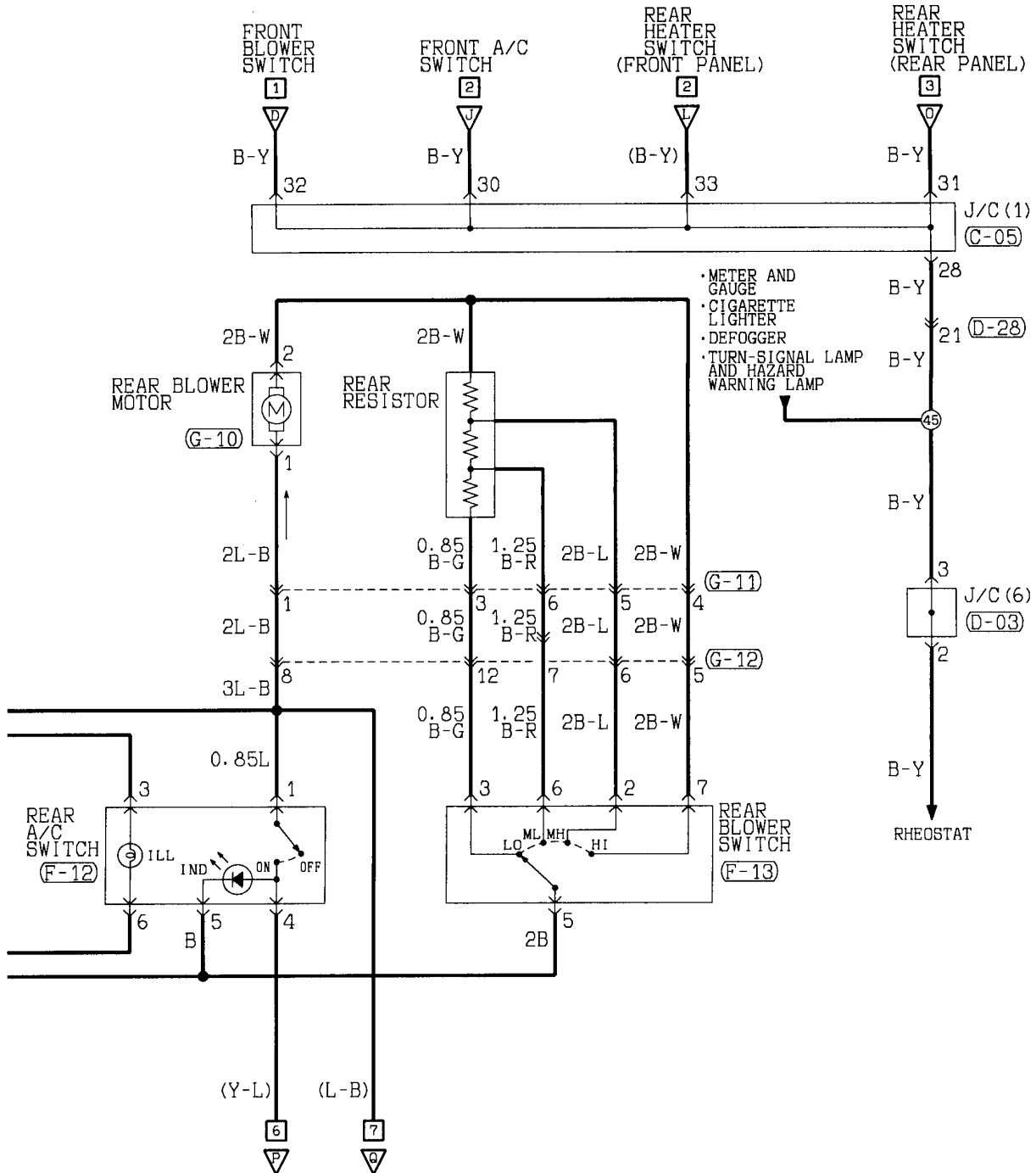
(F-11)

1	2		
3	4	5	6

(F-12)

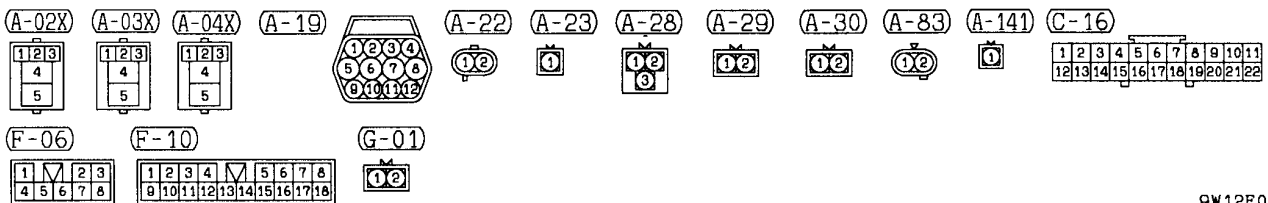
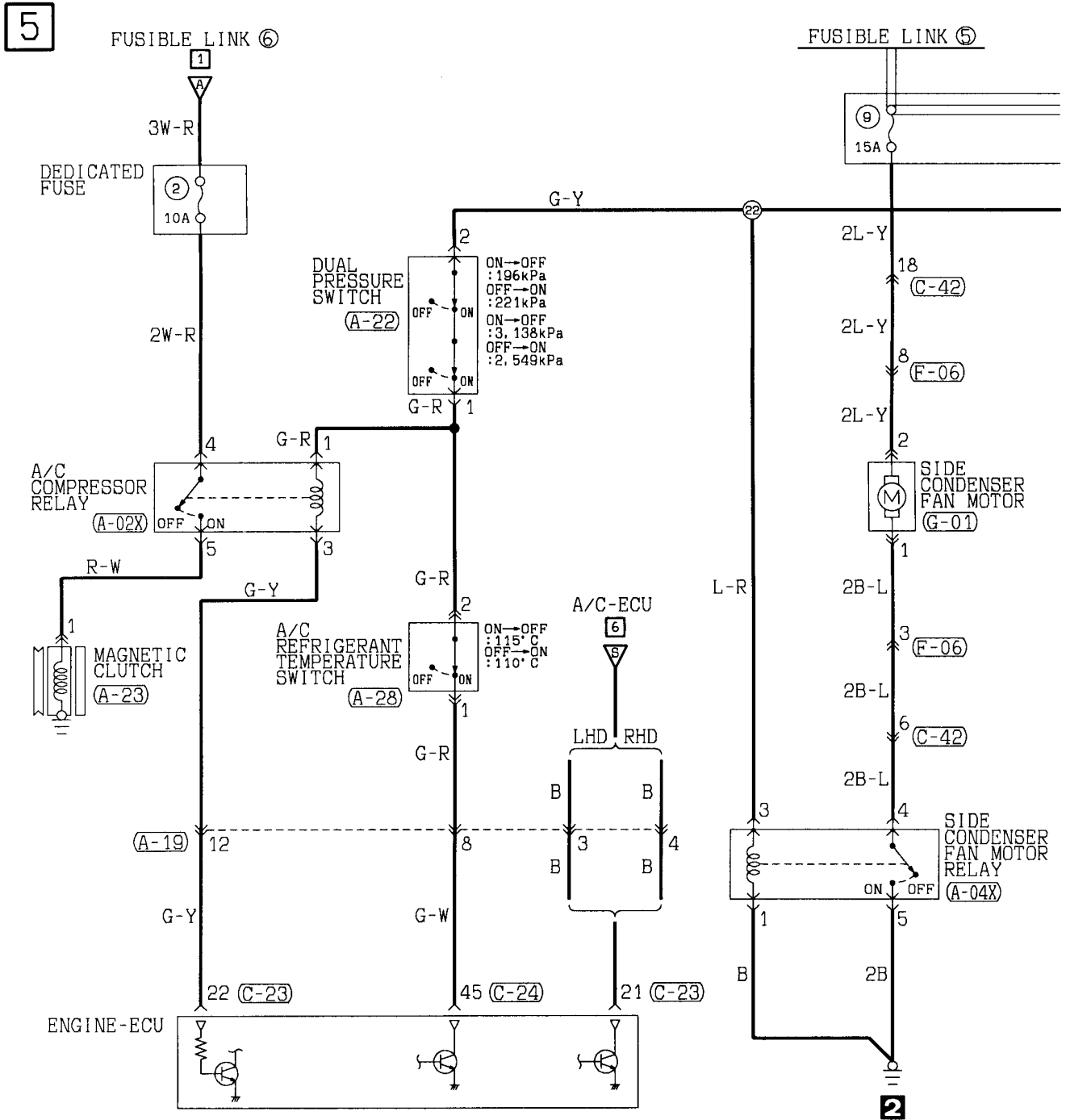
1	2		
3	4	5	6

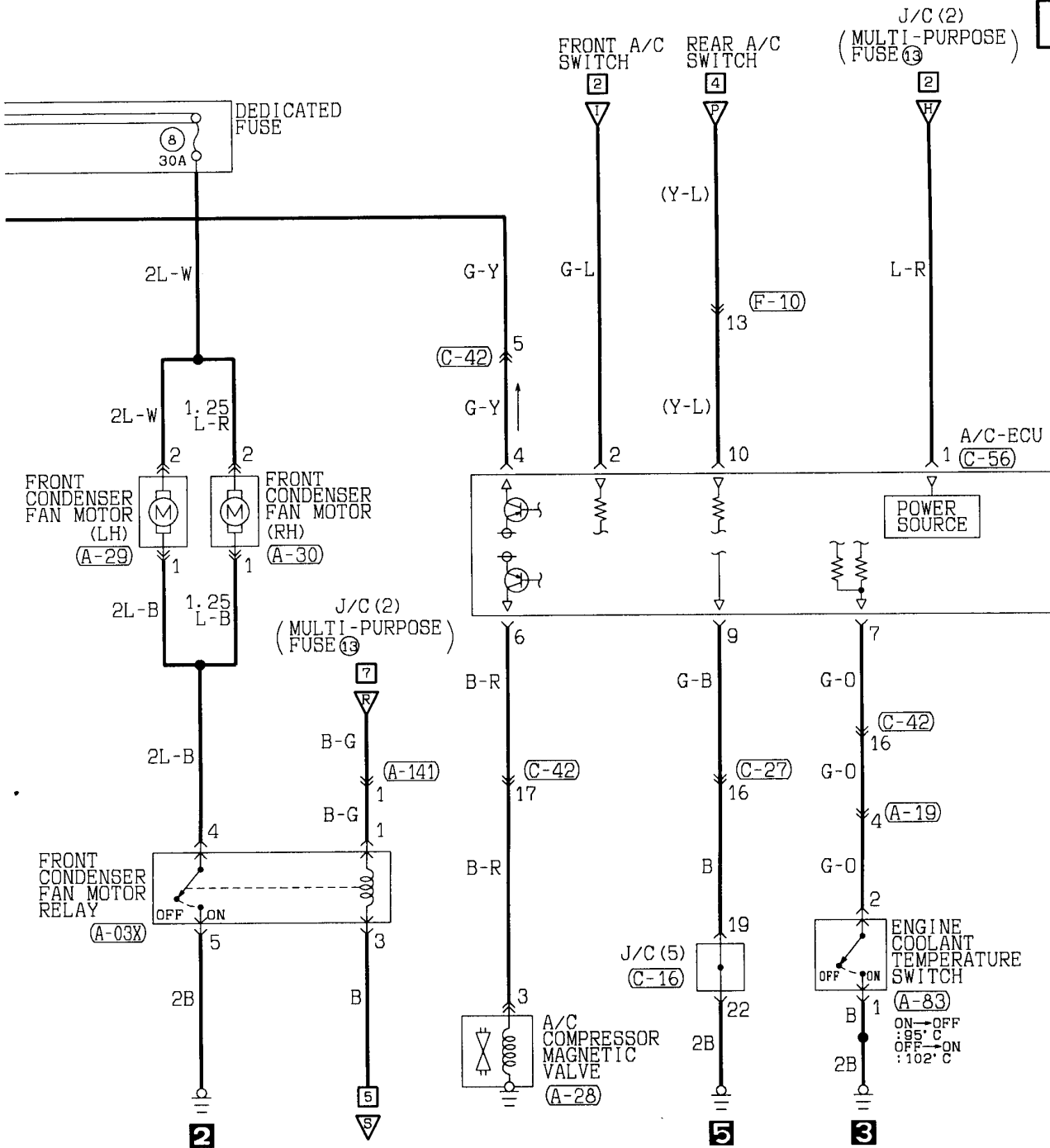
4



Wire colour code
 B:Black LG:Light green G:Green L:Blue W:White Y:Yellow SB:Sky blue
 BR:Brown O:Orange GR:Gray R:Red P:Pink V:Violet

DUAL AIR CONDITIONER <Built-in type> (CONTINUED)





6

(C-23)

1	2	3	4	5	6	7	8	9	10	11	12	13
14	15	16	17	18	19	20	21	22	23	24	25	26

(C-24)

31	32	33	34	35	36	37	38
39	40	41	42	43	44	45	46

(C-27)

1	2	3	4	5	M	6	7	8	9	10	
11	12	13	14	15	16	17	18	19	20	21	22

(C-42)

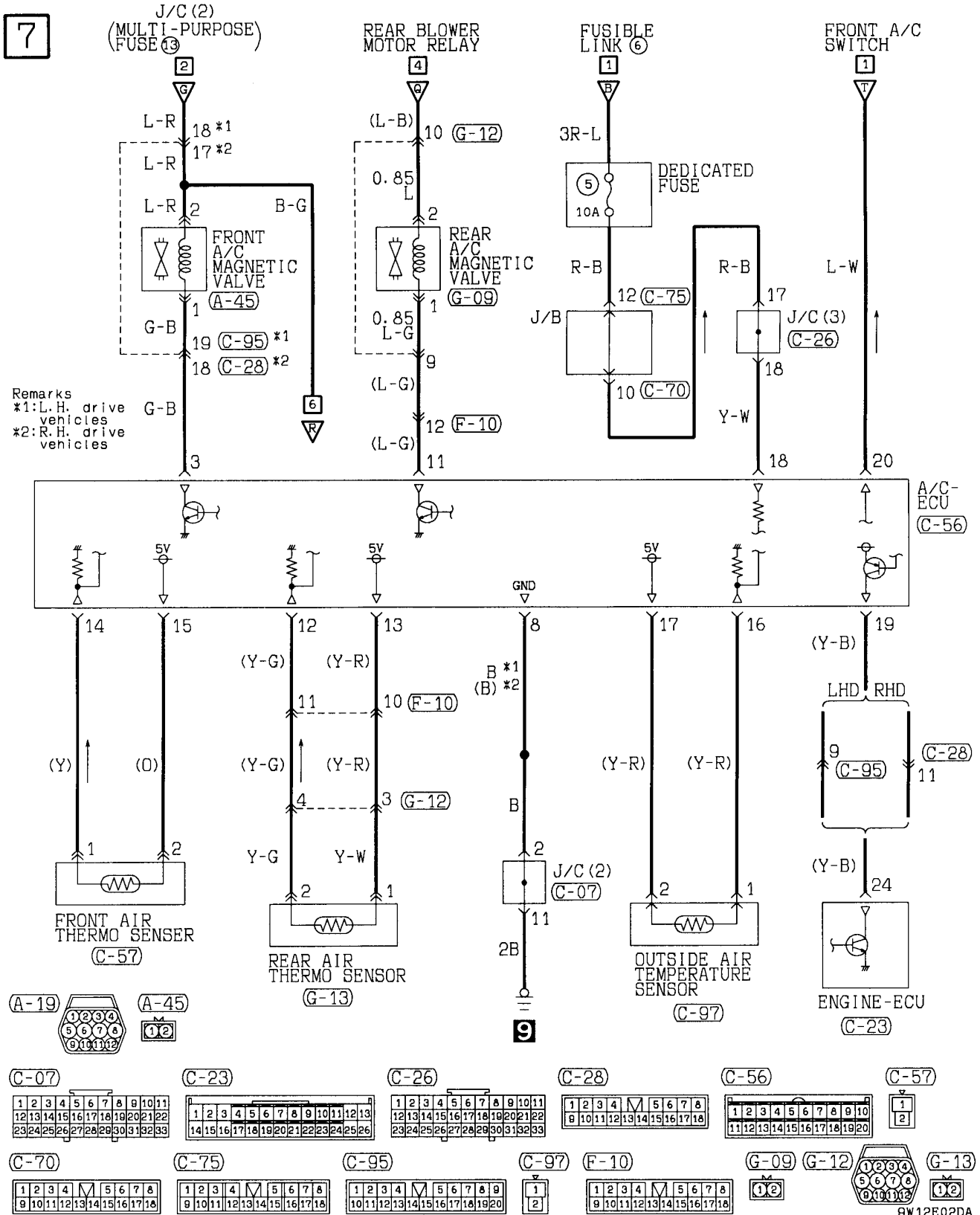
1	2	3	4	5	M	6	7	8	9	10	
11	12	13	14	15	16	17	18	19	20	21	22

(C-56)

1	2	3	4	5	6	7	8	9	10
11	12	13	14	15	16	17	18	19	20

Wire colour code
 B : Black LG : Light green G : Green L : Blue W : White Y : Yellow SB : Sky blue
 BR : Brown O : Orange GR : Gray R : Red P : Pink V : Violet

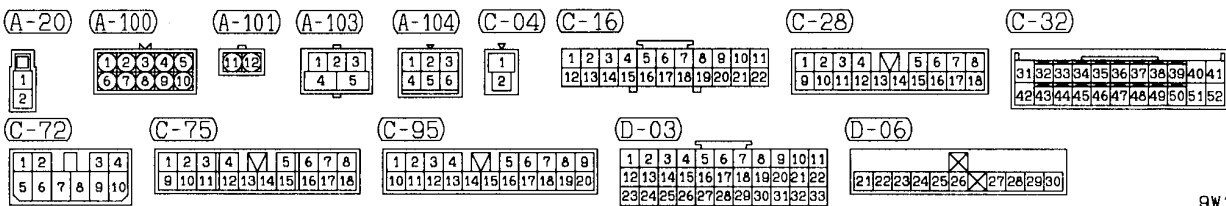
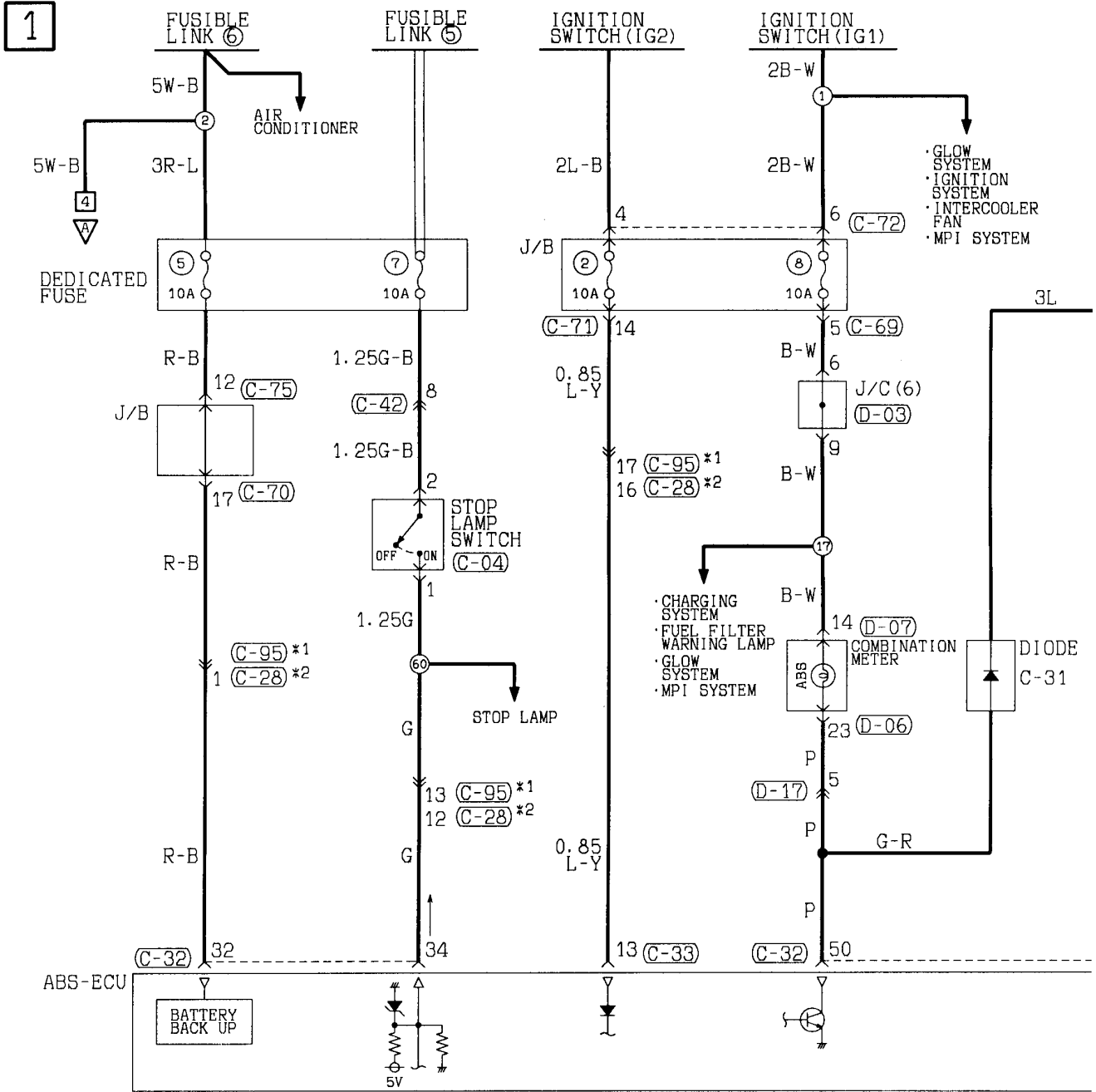
DUAL AIR CONDITIONER <Built-in type> (CONTINUED)



NOTES

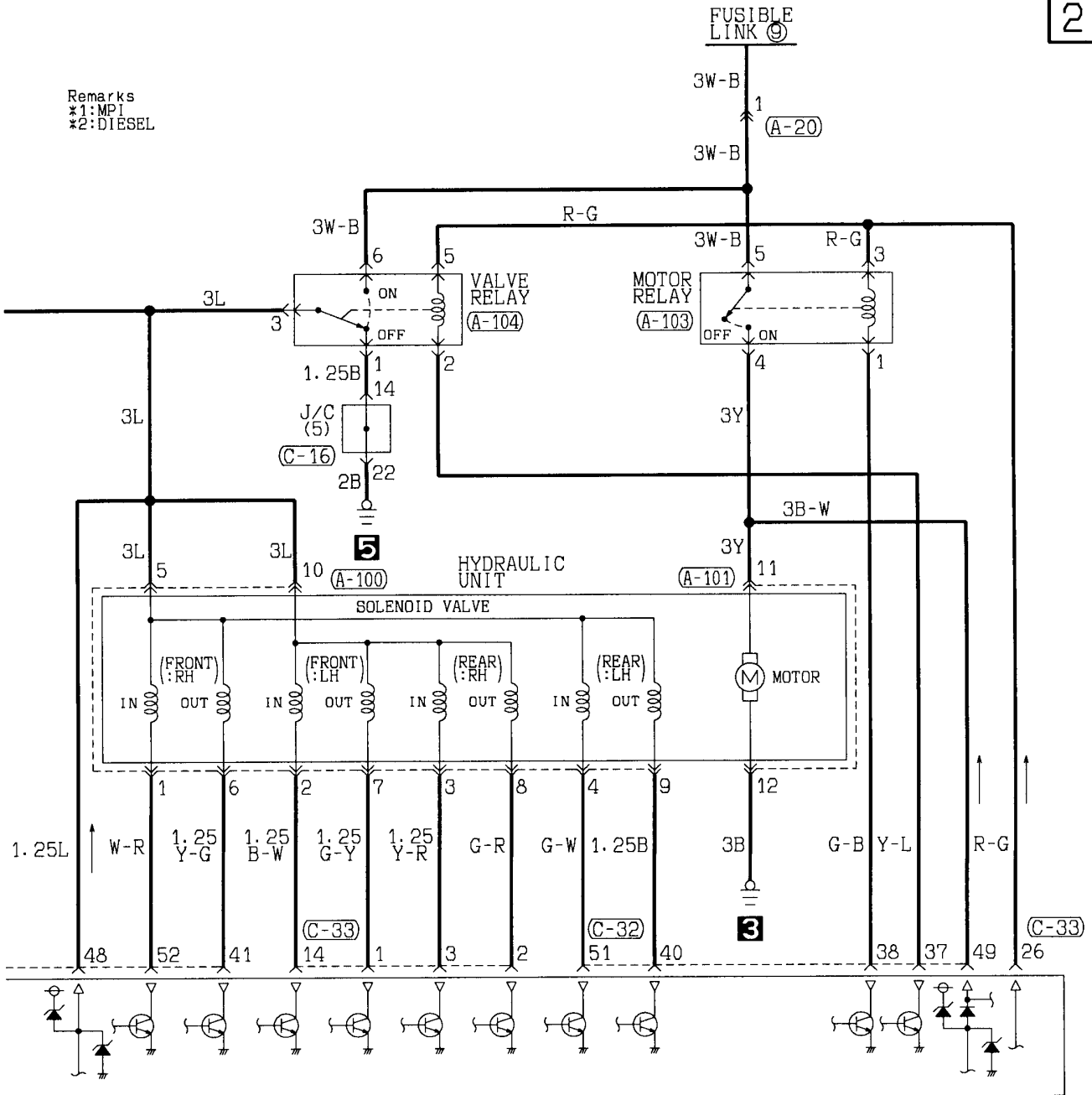
ANTI-SKID BRAKING SYSTEM (ABS)

L.H. drive vehicles <2WD>



2

Remarks
*1:MPI
*2:DIESEL



C-33

1	2	3	4	5	6	7	8	9	10	11	12	13	14	15	16	17	18	19	20	21	22	23	24	25	26
---	---	---	---	---	---	---	---	---	----	----	----	----	----	----	----	----	----	----	----	----	----	----	----	----	----

C-42

1	2	3	4	5	M	6	7	8	9	10	
11	12	13	14	15	16	17	18	19	20	21	22

C-69

1	2	3	4	5	M	6	7	8	9	10	
11	12	13	14	15	16	17	18	19	20	21	22

C-70

1	2	3	4	M	5	6	7	8	
9	10	11	12	13	14	15	16	17	18

C-71

1	2	3	4	M	5	6	7	8	9	
10	11	12	13	14	15	16	17	18	19	20

D-07

1	2	3	4	5	6	7	8	9	10	11	12	13	14
---	---	---	---	---	---	---	---	---	----	----	----	----	----

D-17

1	2	3	4	M	5	6	7	8	
9	10	11	12	13	14	15	16	17	18

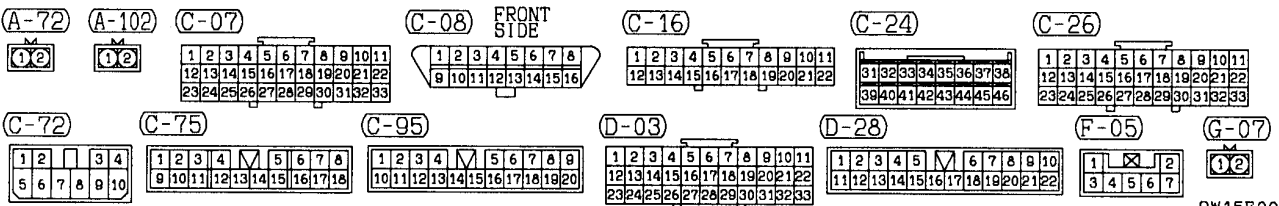
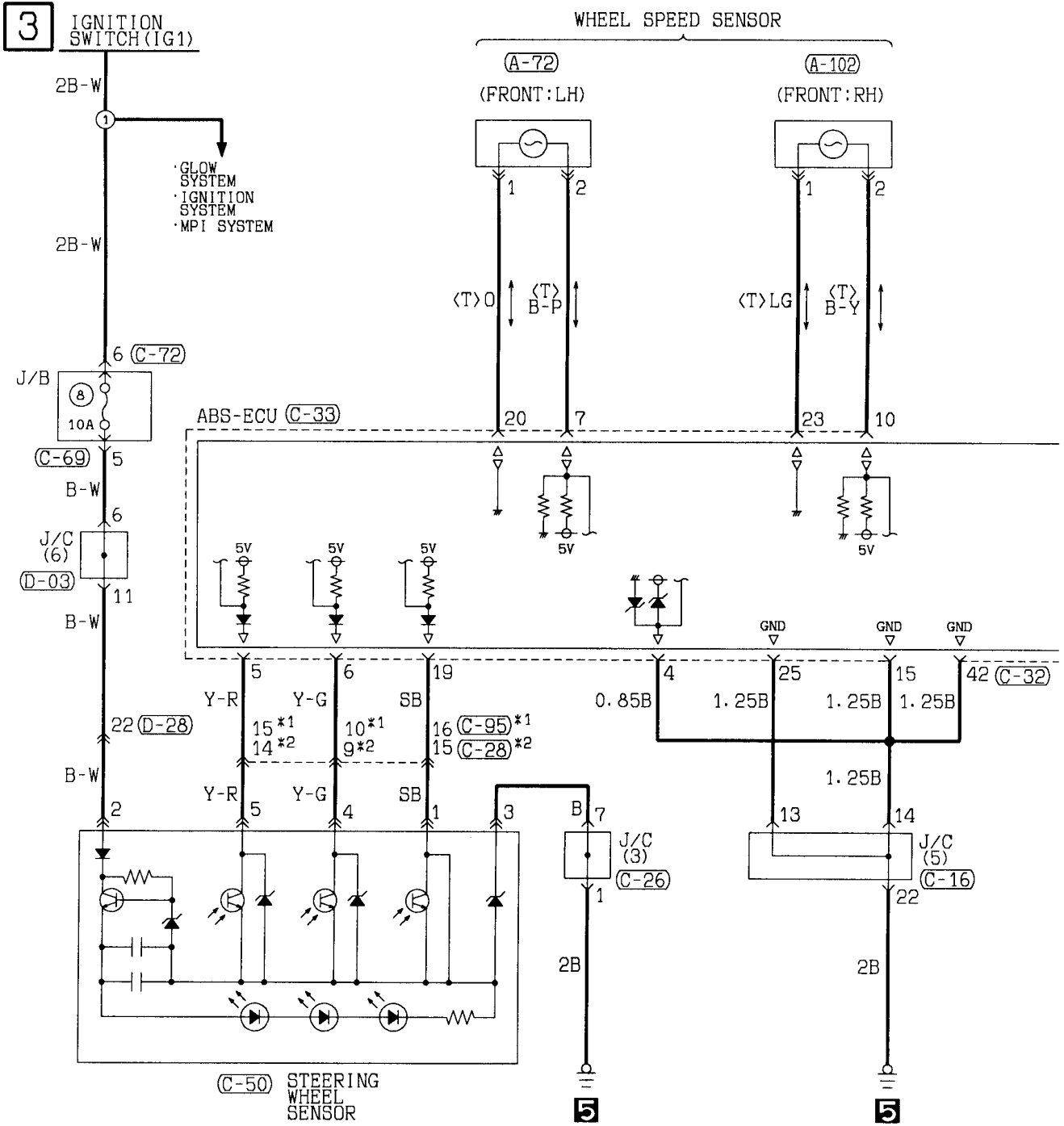
Wire colour code

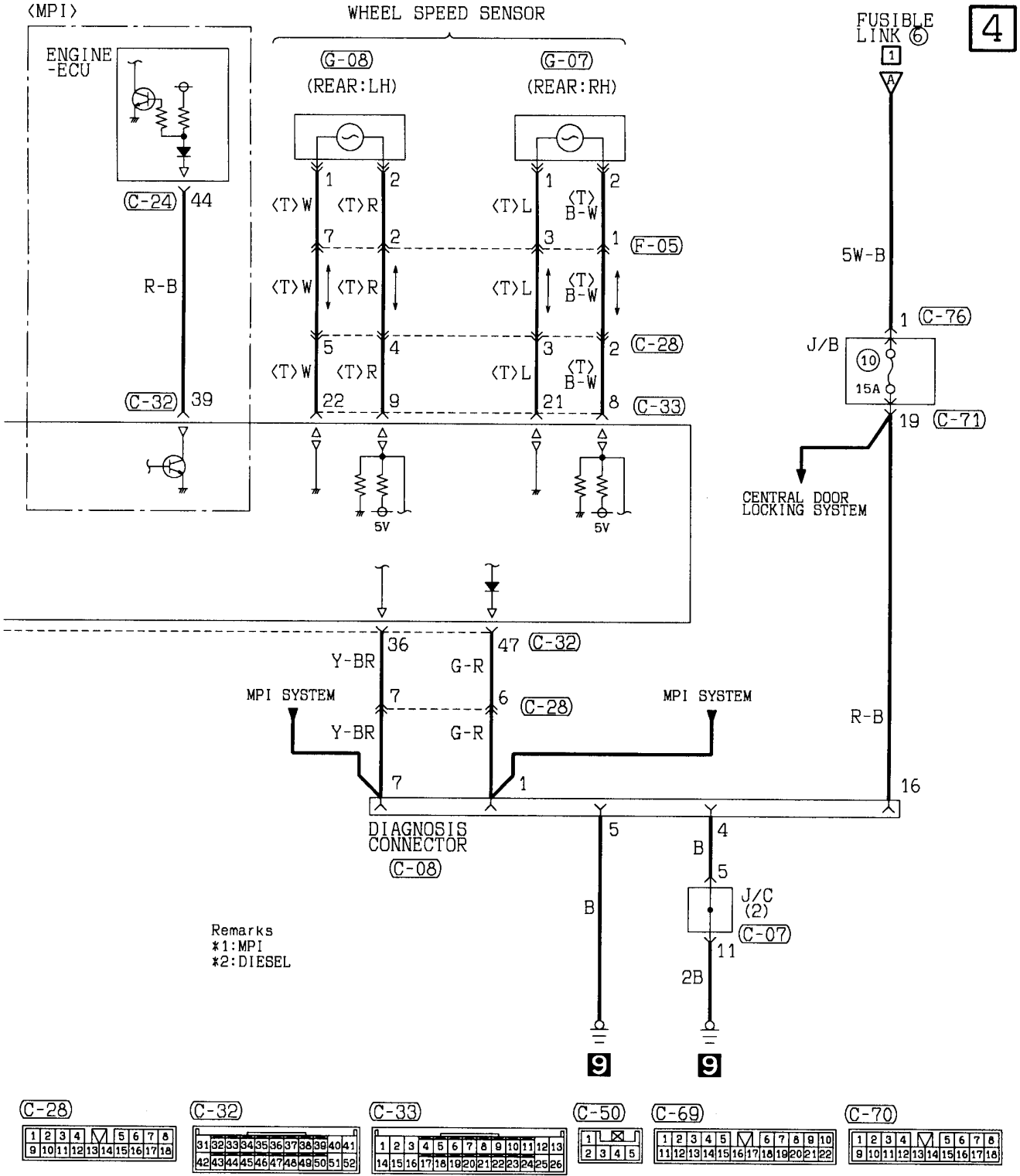
B : Black LG : Light green
BR : Brown O : Orange
W : White SB : Sky blue
V : Violet

G : Green
GR : Gray
P : Pink

L : Blue
R : Red
Y : Yellow

ANTI-SKID BRAKING SYSTEM (ABS) <L.H. drive vehicles (2WD)> (CONTINUED)





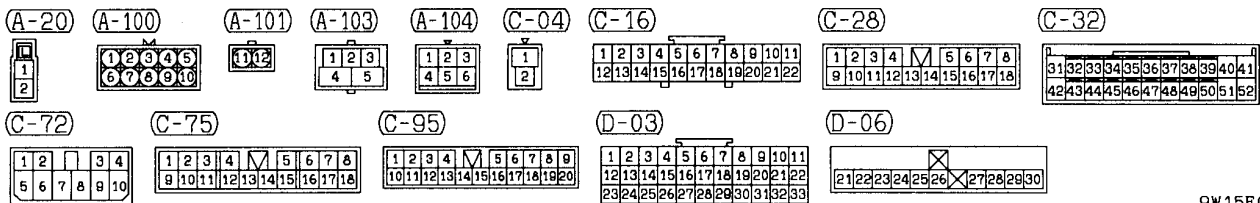
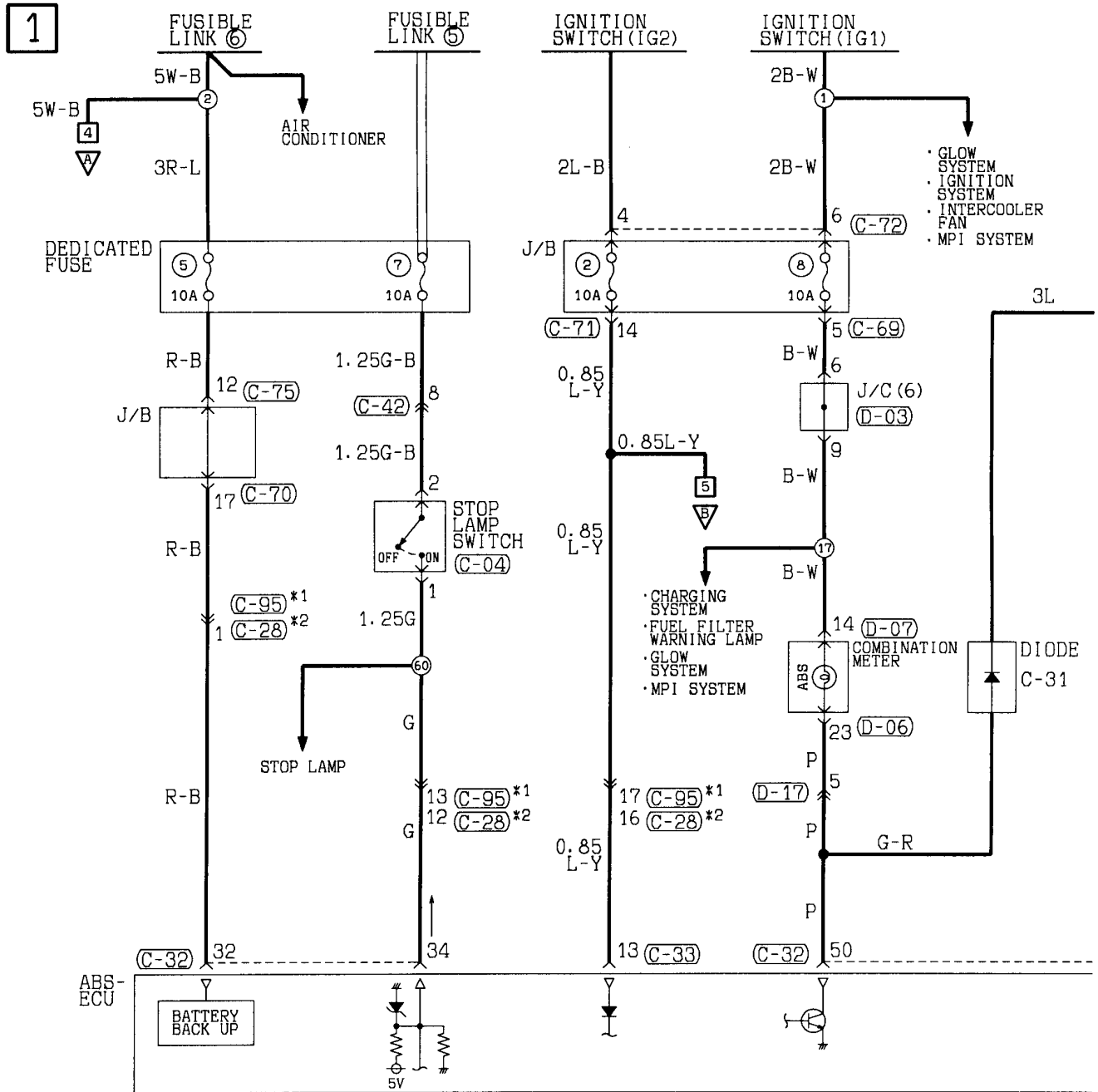
(G-08)

Wire colour code

B :Black LG:Light green G :Green L :Blue W :White Y :Yellow SB:Sky blue
 BR:Brown O :Orange GR:Gray R :Red P :Pink V :Violet

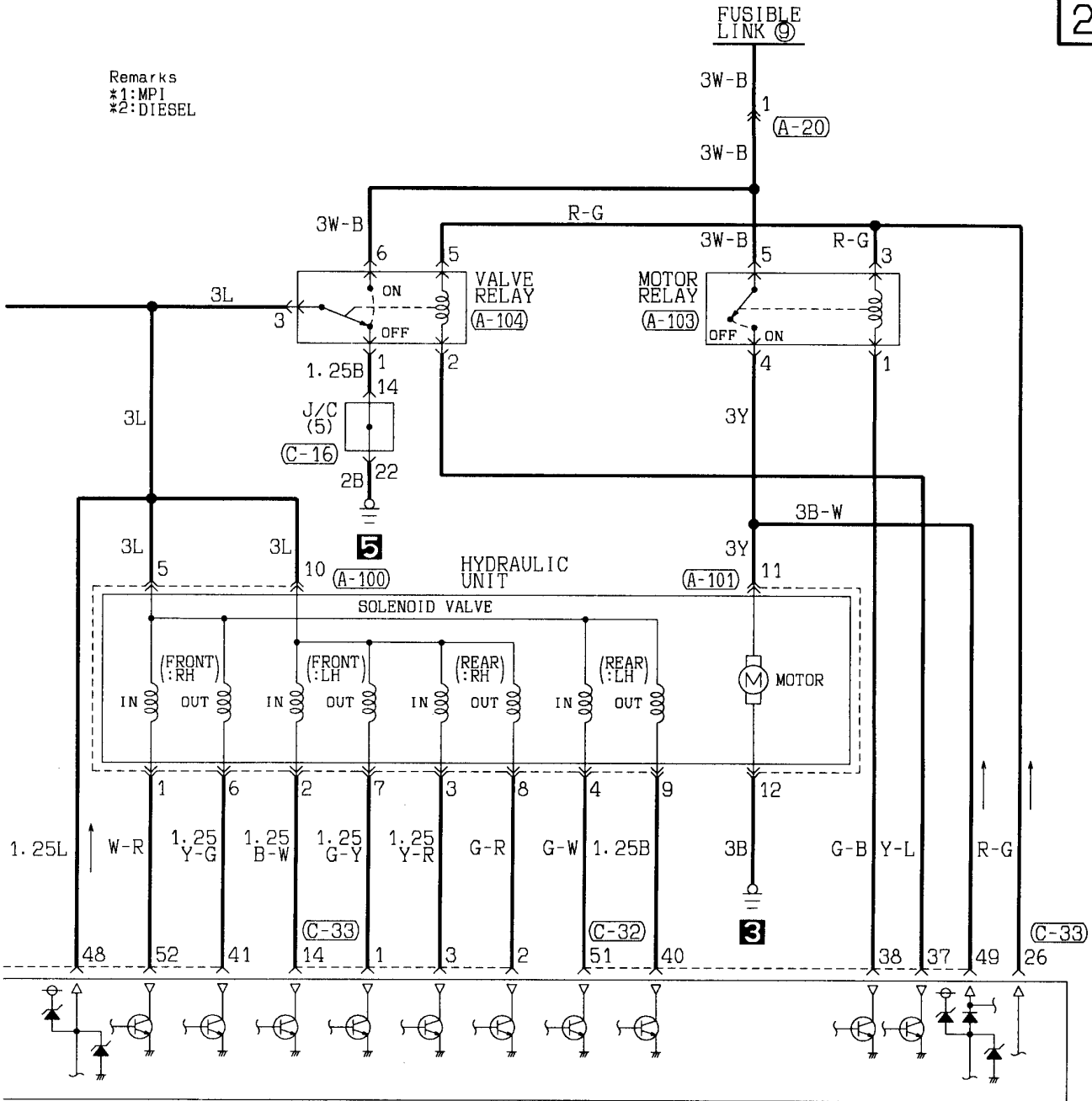
ANTI-SKID BRAKING SYSTEM (ABS)

L.H. drive vehicles <4WD>



2

Remarks
*1:MPI
*2:DIESEL



(C-33)

1	2	3	4	5	6	7	8	9	10	11	12	13
14	15	16	17	18	19	20	21	22	23	24	25	26

(C-42)

1	2	3	4	5	M	6	7	8	9	10	
11	12	13	14	15	16	17	18	19	20	21	22

(C-69)

1	2	3	4	5	M	6	7	8	9	10	
11	12	13	14	15	16	17	18	19	20	21	22

(C-70)

1	2	3	4	M	5	6	7	8	
9	10	11	12	13	14	15	16	17	18

(C-71)

1	2	3	4	M	5	6	7	8	9	
10	11	12	13	14	15	16	17	18	19	20

(D-07)

1	2	3	4	5	6	X	7	8	9	10	11	12	13	14
---	---	---	---	---	---	---	---	---	---	----	----	----	----	----

(D-17)

1	2	3	4	M	5	6	7	8	
9	10	11	12	13	14	15	16	17	18

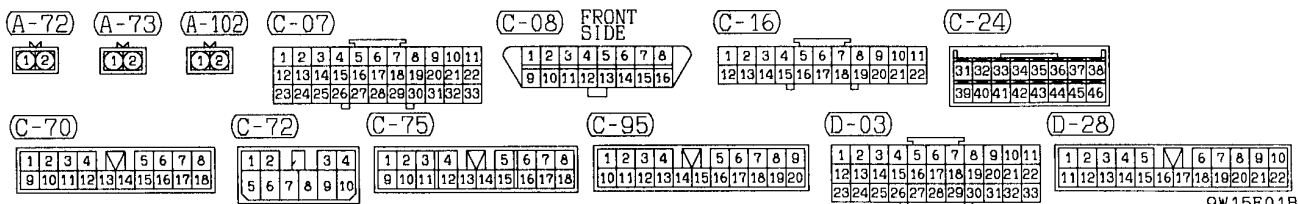
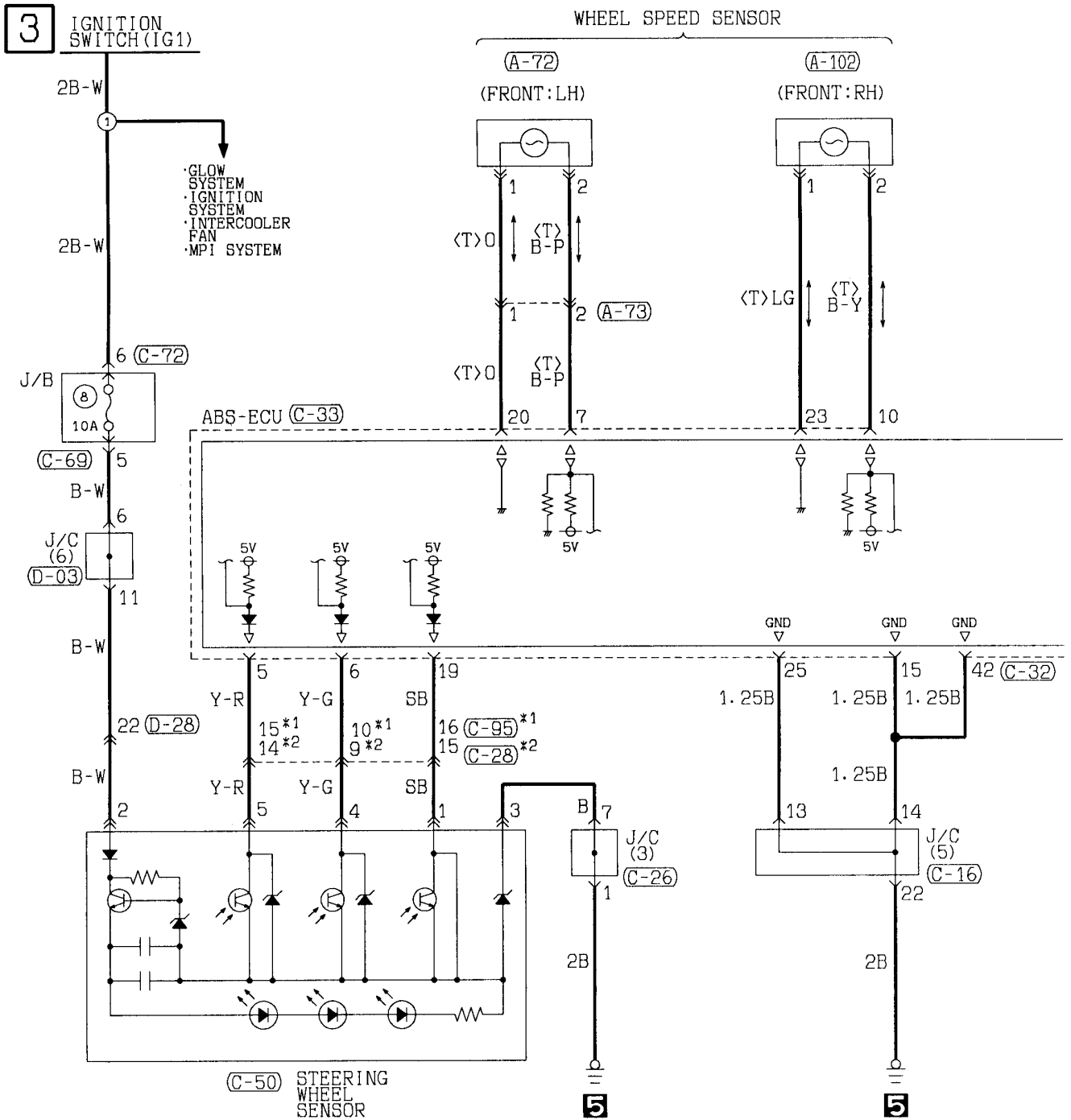
Wire colour code

B:Black LG:Light green
BR:Brown O:Orange
W:White SB:Sky blue
V:Violet

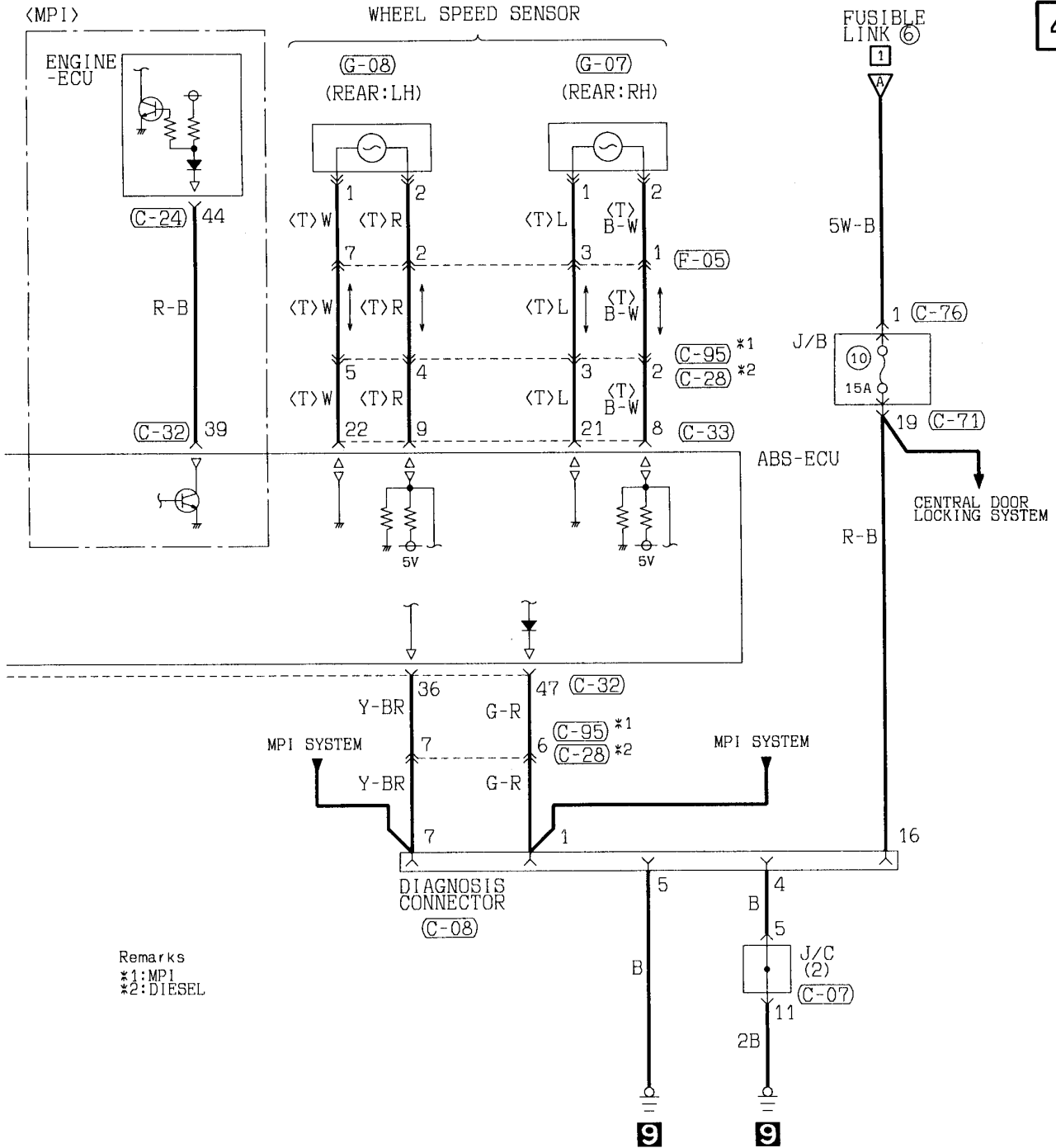
G:Green GR:Gray
P:Pink

L:Blue R:Red
Y:Yellow

ANTI-SKID BRAKING SYSTEM (ABS) <L.H. drive vehicles (4WD)> (CONTINUED)



4



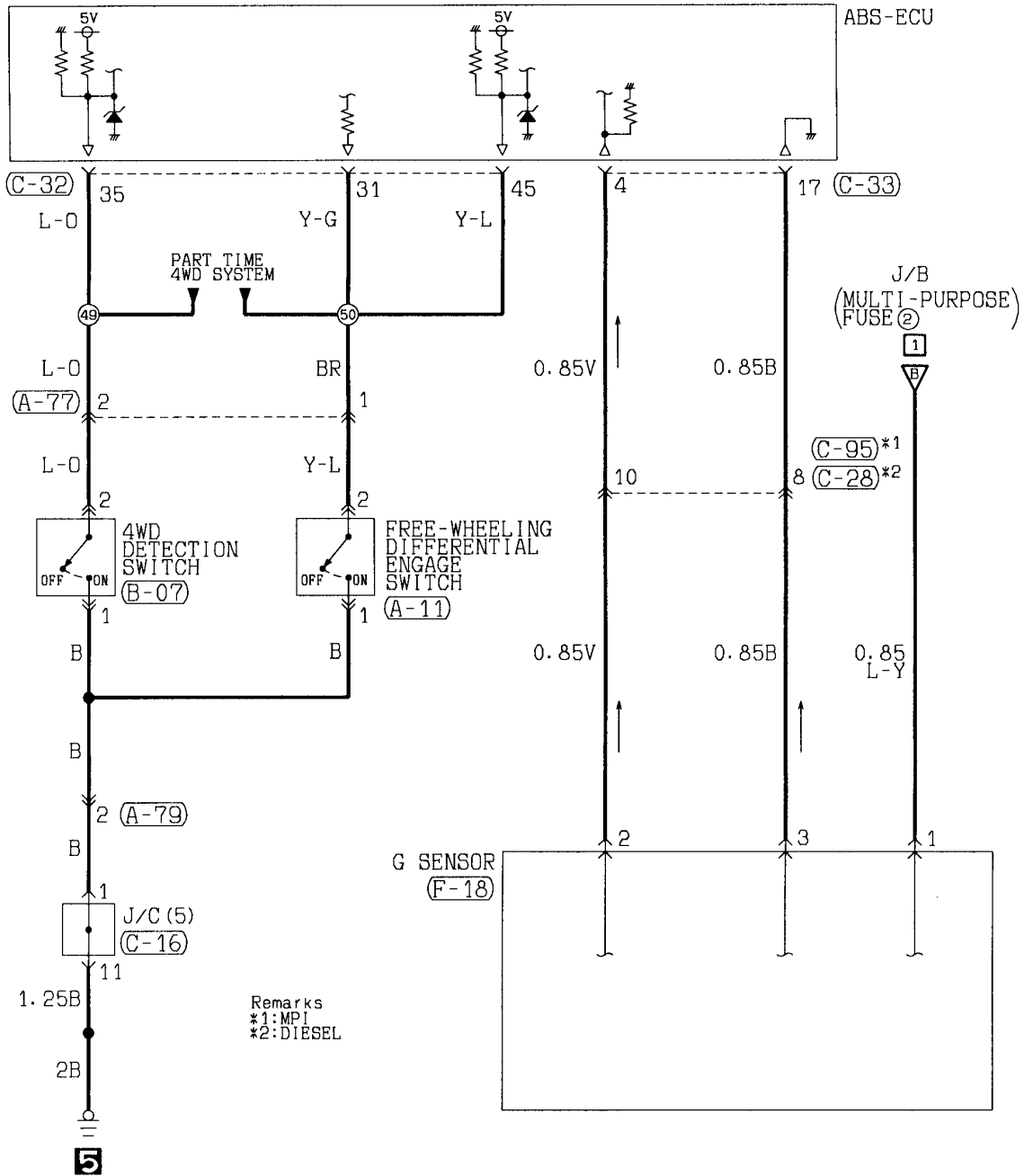
(C-26)	(C-28)	(C-32)
1 2 3 4 5 6 7 8 9 10 11 12 13 14 15 16 17 18 19 20 21 22 23 24 25 26 27 28 29 30 31 32 33	1 2 3 4 5 6 7 8 9 10 11 12 13 14 15 16 17 18	31 32 33 34 35 36 37 38 39 40 41 42 43 44 45 46 47 48 49 50 51 52

(F-05)	(G-07)	(G-08)
1 2 3 4 5 6 7	1 2	1 2

Wire colour code
 B: Black LG: Light green G: Green L: Blue
 BR: Brown O: Orange GR: Gray R: Red
 W: White SB: Sky blue P: Pink Y: Yellow
 V: Violet

ANTI-SKID BRAKING SYSTEM (ABS) <L.H. drive vehicles (4WD)> (CONTINUED)

5



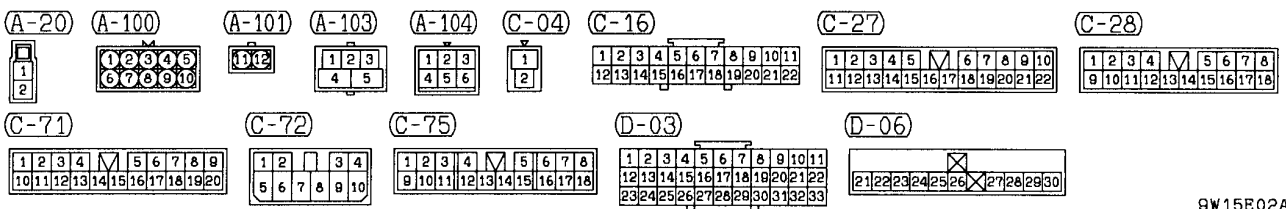
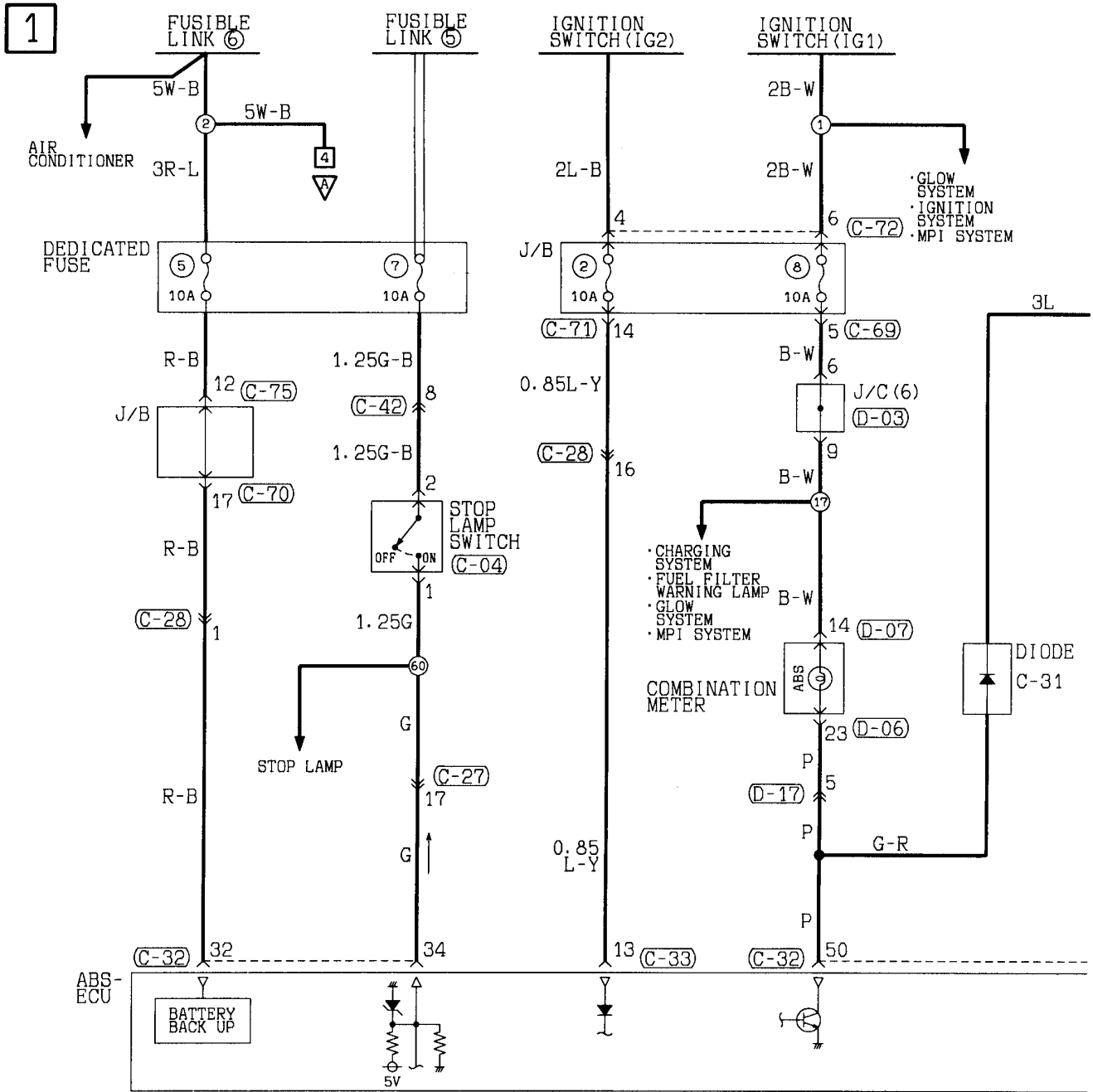
Remarks
*1: MPI
*2: DIESEL

Wire colour code
 B : Black LG: Light green G : Green L : Blue
 BR: Brown O : Orange GR: Gray R : Red
 W : White SB: Sky blue P : Pink Y : Yellow
 V : Violet

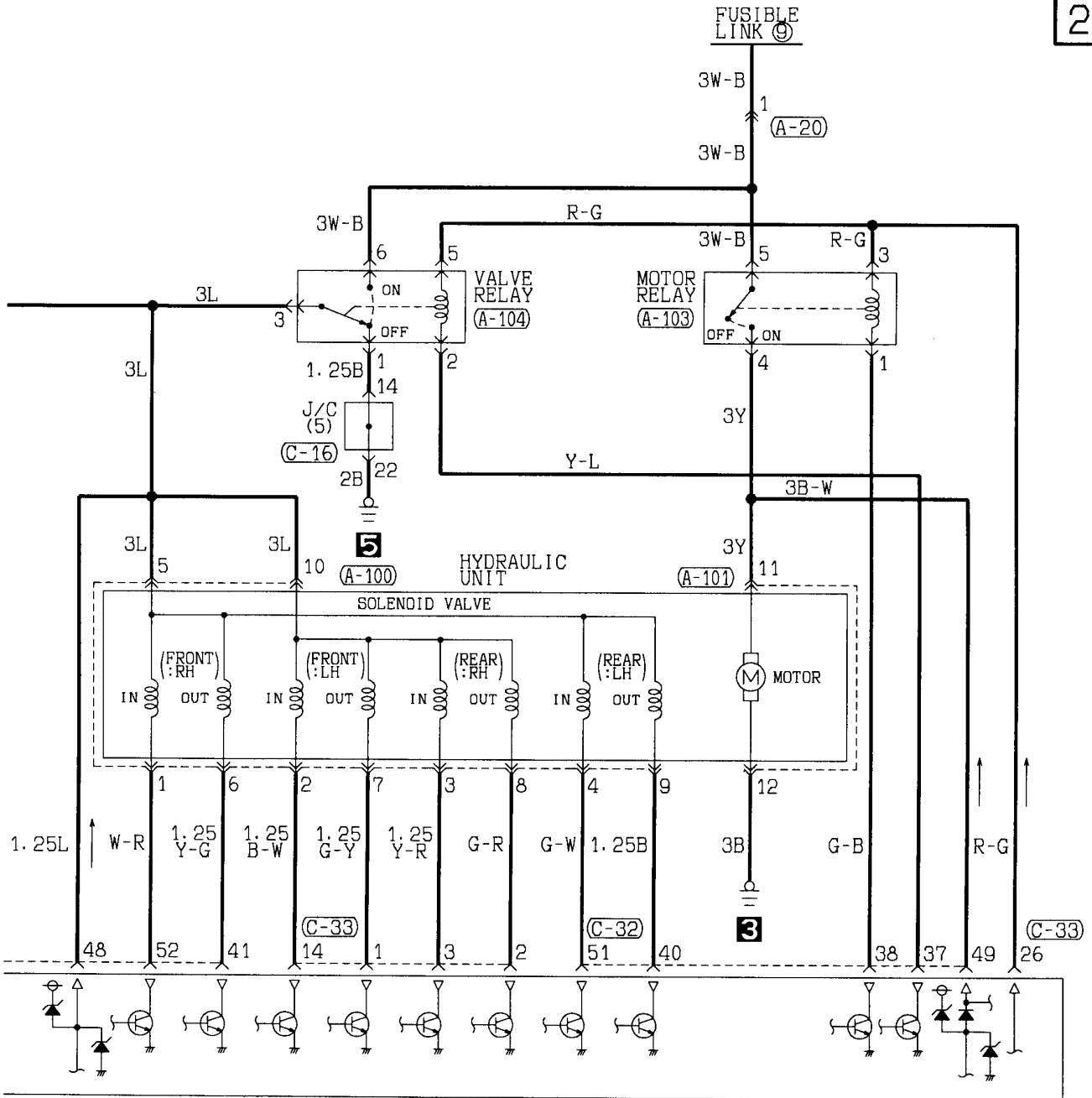
NOTES

ANTI-SKID BRAKING SYSTEM (ABS)

R.H. drive vehicles



2



(C-32)

31	32	33	34	35	36	37	38	39	40	41
42	43	44	45	46	47	48	49	50	51	52

(C-33)

1	2	3	4	5	6	7	8	9	10	11	12	13
14	15	16	17	18	19	20	21	22	23	24	25	26

(C-42)

1	2	3	4	5	M	6	7	8	9	10	
11	12	13	14	15	16	17	18	19	20	21	22

(C-69)

1	2	3	4	5	M	6	7	8	9	10	
11	12	13	14	15	16	17	18	19	20	21	22

(C-70)

1	2	3	4	M	5	6	7	8	
9	10	11	12	13	14	15	16	17	18

(D-07)

1	2	3	4	5	6	X	7	8	9	10	11	12	13	14
---	---	---	---	---	---	---	---	---	---	----	----	----	----	----

(D-17)

1	2	3	4	M	5	6	7	8	
9	10	11	12	13	14	15	16	17	18

Wire colour code

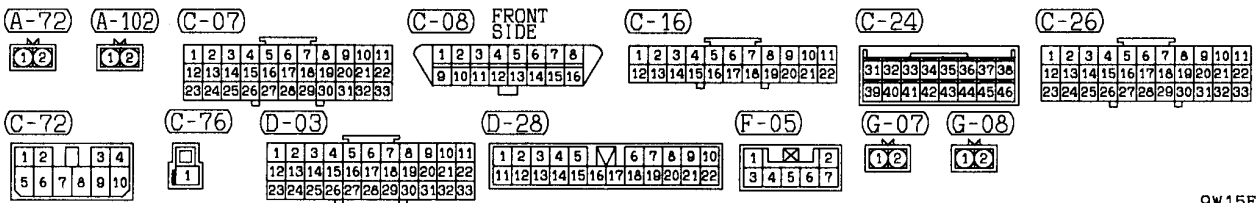
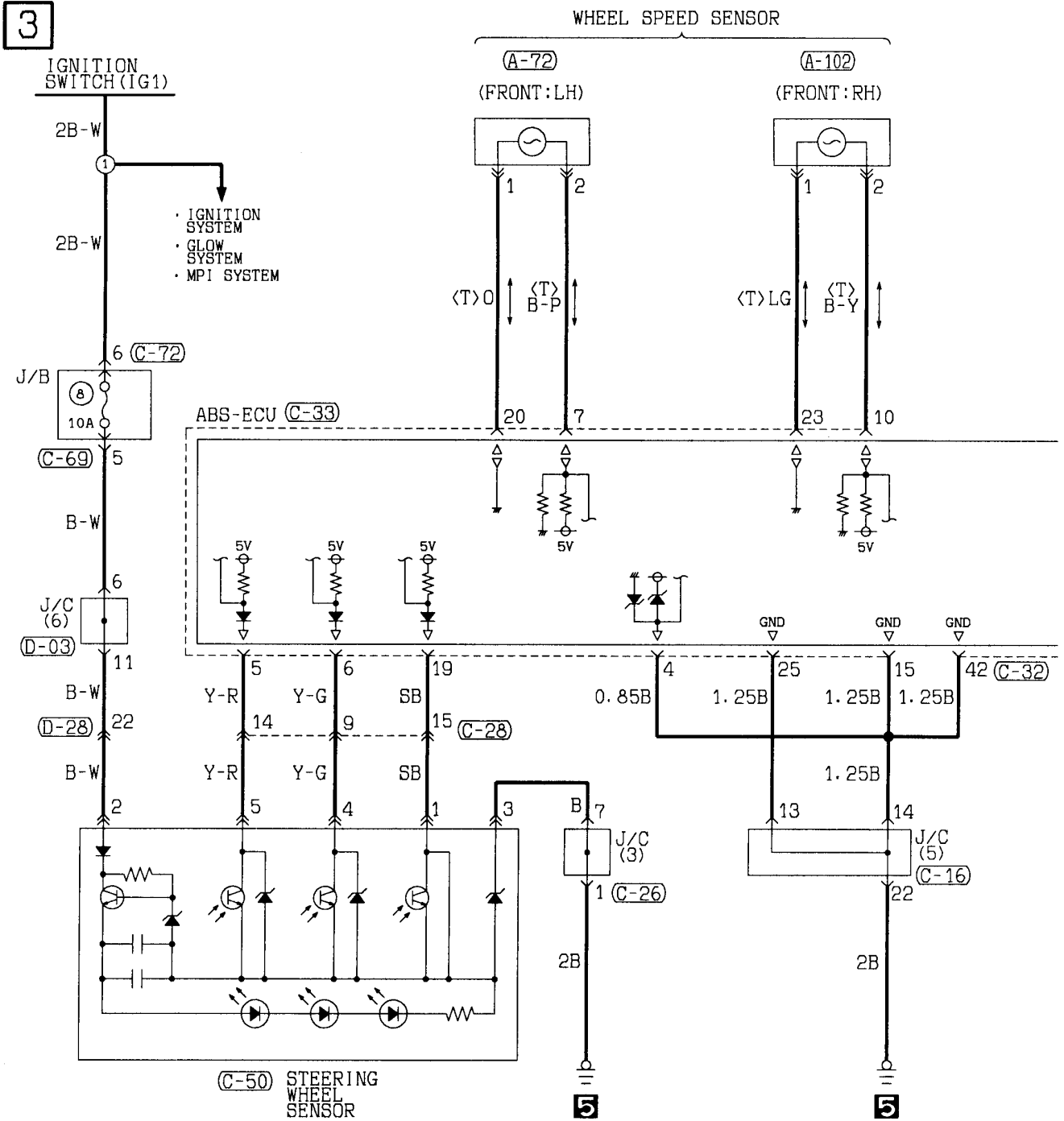
B : Black
BR : Brown
W : White
V : Violet

LG : Light green
O : Orange
SB : Sky blue

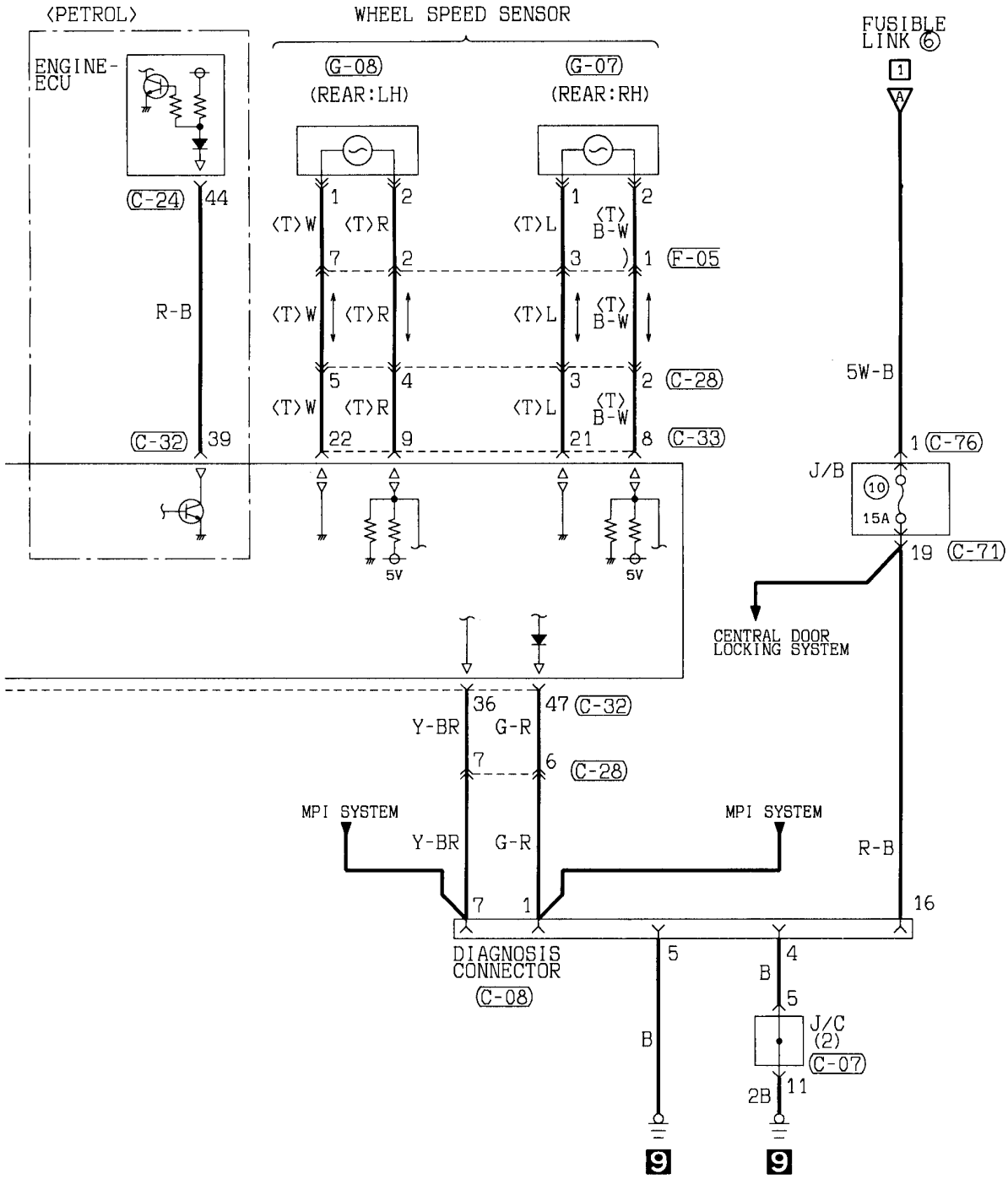
G : Green
GR : Gray
P : Pink

L : Blue
R : Red
Y : Yellow

ANTI-SKID BRAKING SYSTEM (ABS) <R.H. drive vehicles> (CONTINUED)



4



C-28

1	2	3	4	5	6	7	8		
9	10	11	12	13	14	15	16	17	18

C-32

31	32	33	34	35	36	37	38	39	40	41
42	43	44	45	46	47	48	49	50	51	52

C-33

1	2	3	4	5	6	7	8	9	10	11	12	13
14	15	16	17	18	19	20	21	22	23	24	25	26

C-50

1	2	3	4	5
6	7	8	9	10

C-69

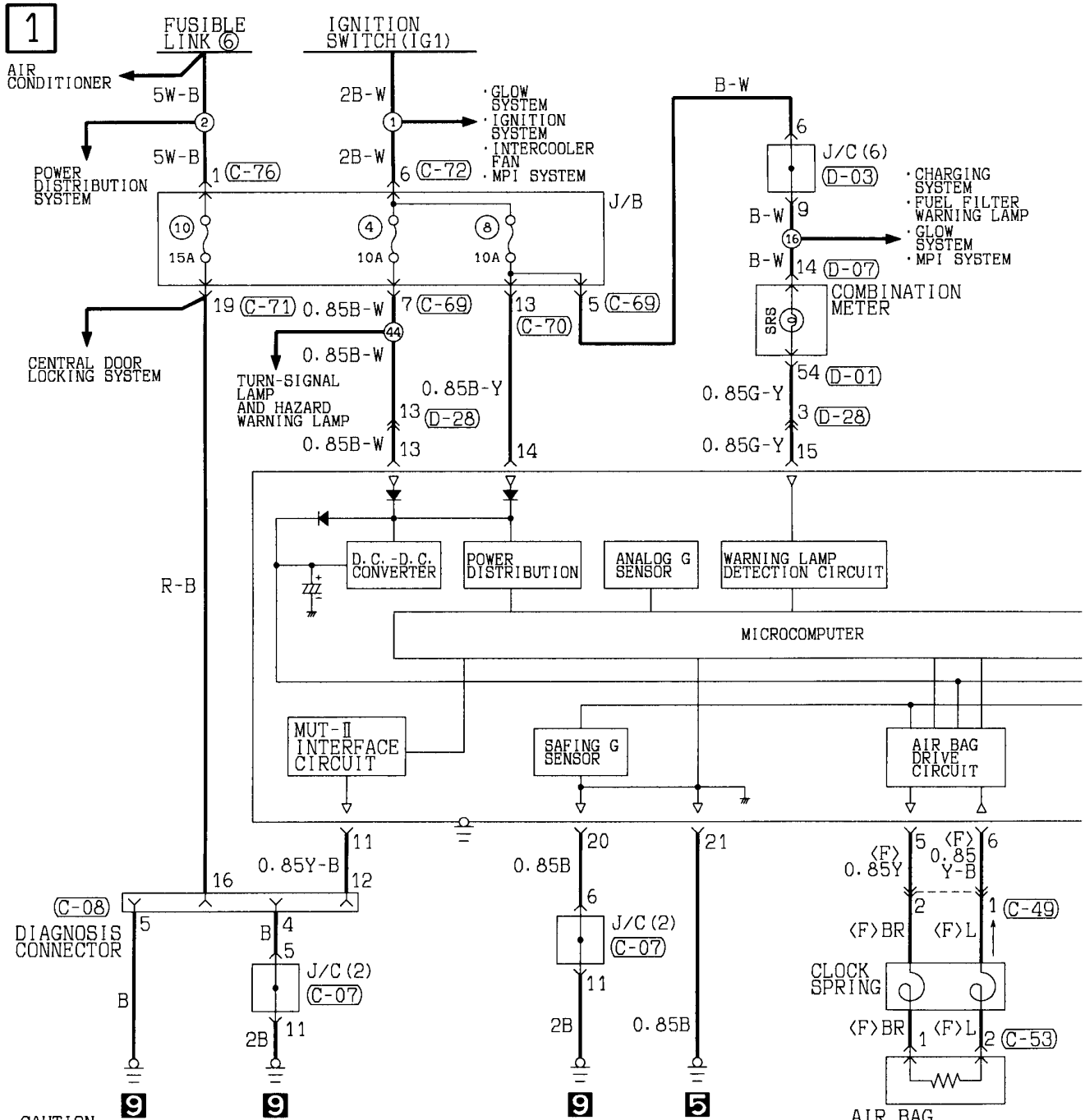
1	2	3	4	5	6	7	8	9	10		
11	12	13	14	15	16	17	18	19	20	21	22

C-71

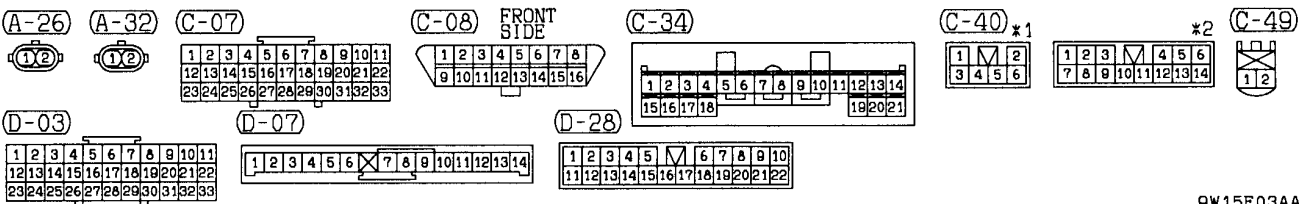
1	2	3	4	5	6	7	8	9		
10	11	12	13	14	15	16	17	18	19	20

Wire colour code
 B : Black LG:Light green G :Green L :Blue W :White Y :Yellow SB:Sky blue
 BR:Brown O :Orange GR:Gray R :Red P :Pink V :Violet

SUPPLEMENTAL RESTRAINT SYSTEM (SRS)



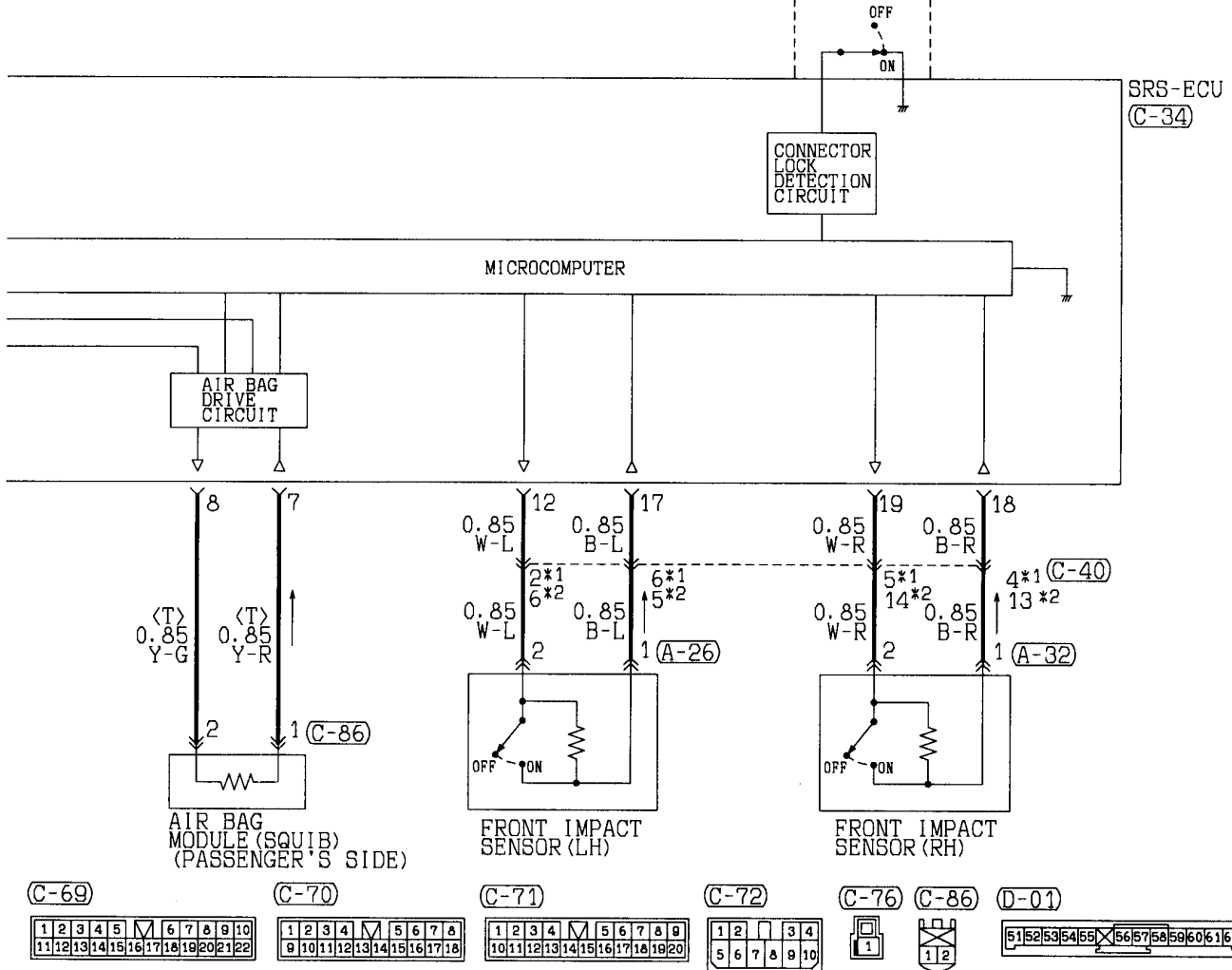
CAUTION
 Carefully read and observe the SRS SERVICE PRECAUTIONS
 (Refer to GROUP 52B SRS Service Precautions) prior to any service.



2

Remarks
 *1:L.H. drive vehicles
 *2:R.H. drive vehicles

CONNECTOR LOCK SWITCH
 (CONNECTOR COUPLED:ON
 CONNECTOR UNCOUPLED:OFF)

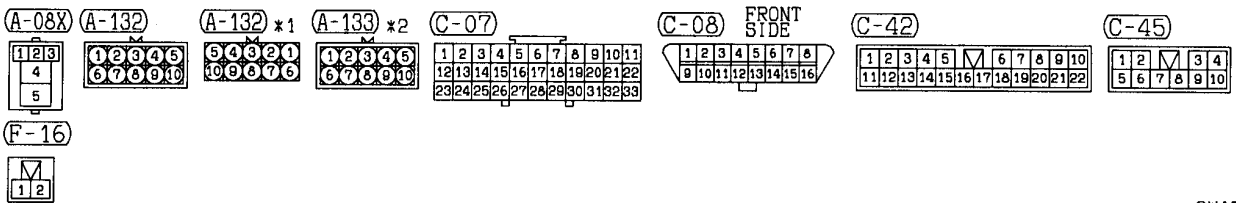
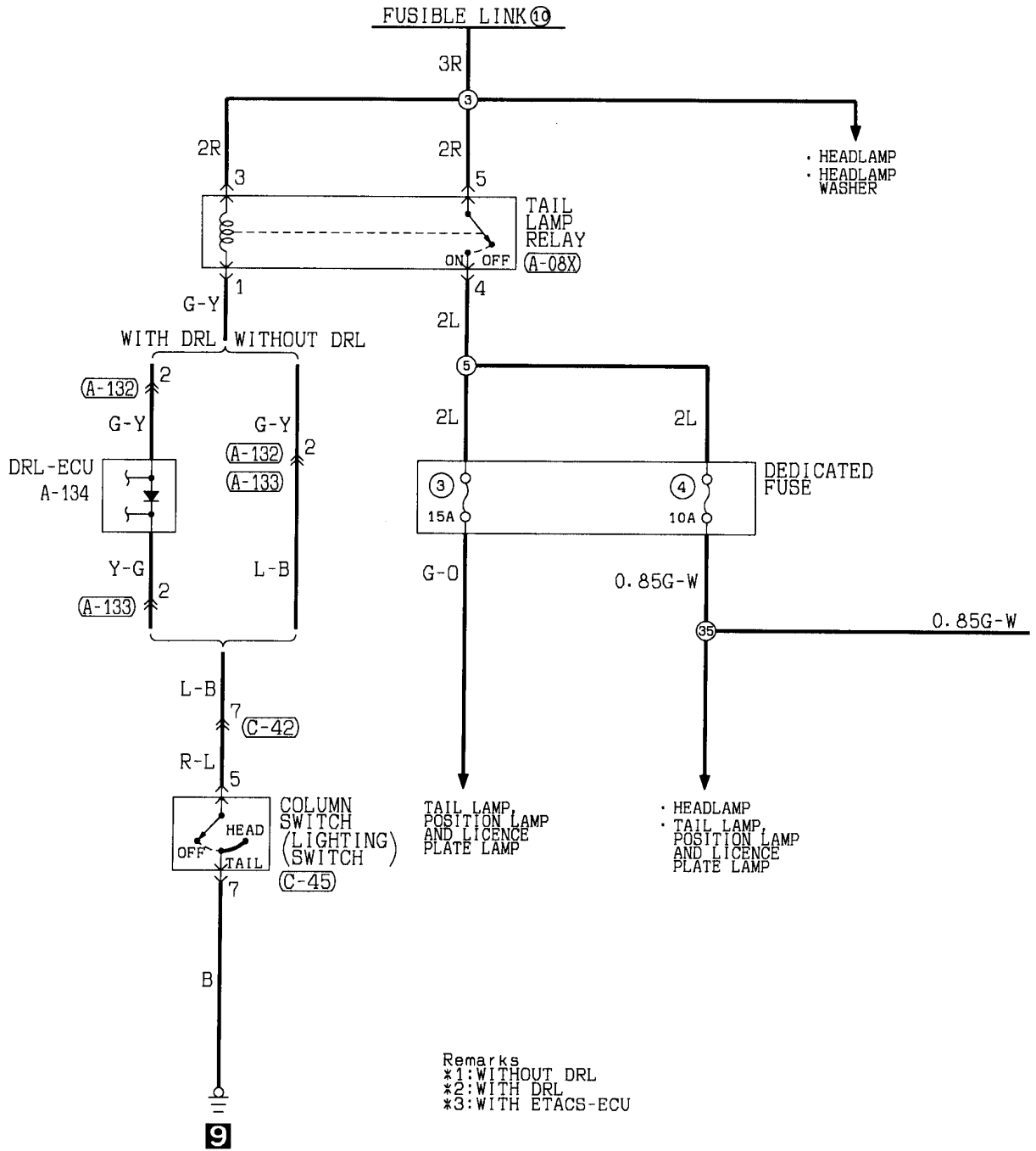


Wire colour code
 B :Black LG:Light green G :Green L :Blue W :White Y :Yellow SB:Sky blue
 BR:Brown O :Orange GR:Gray R :Red P :Pink V :Violet

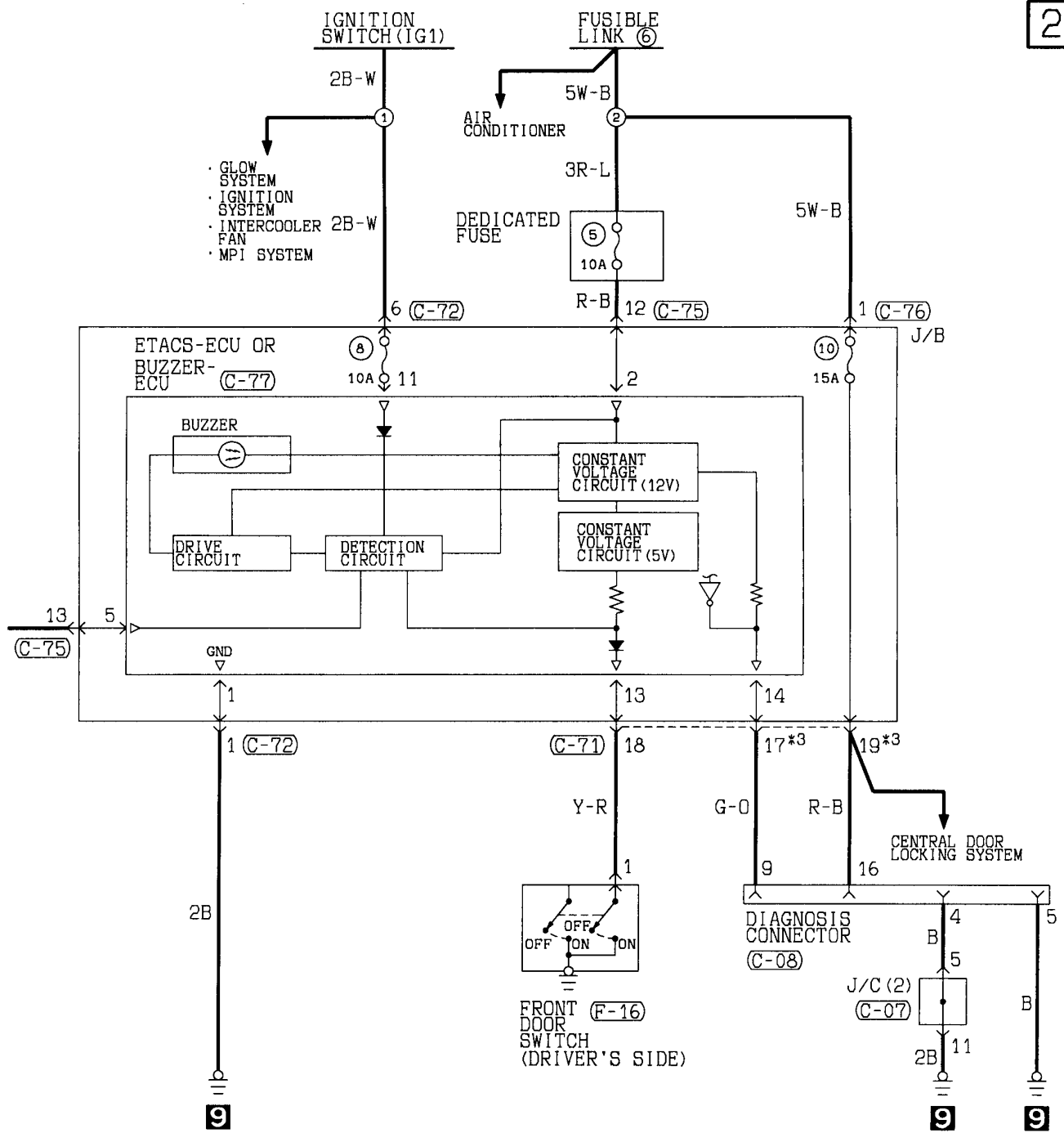
LIGHTING MONITOR BUZZER

L.H. drive vehicles

1



2



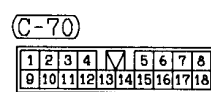
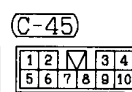
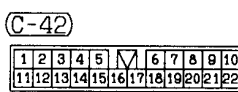
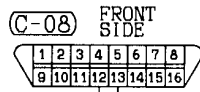
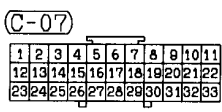
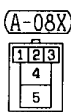
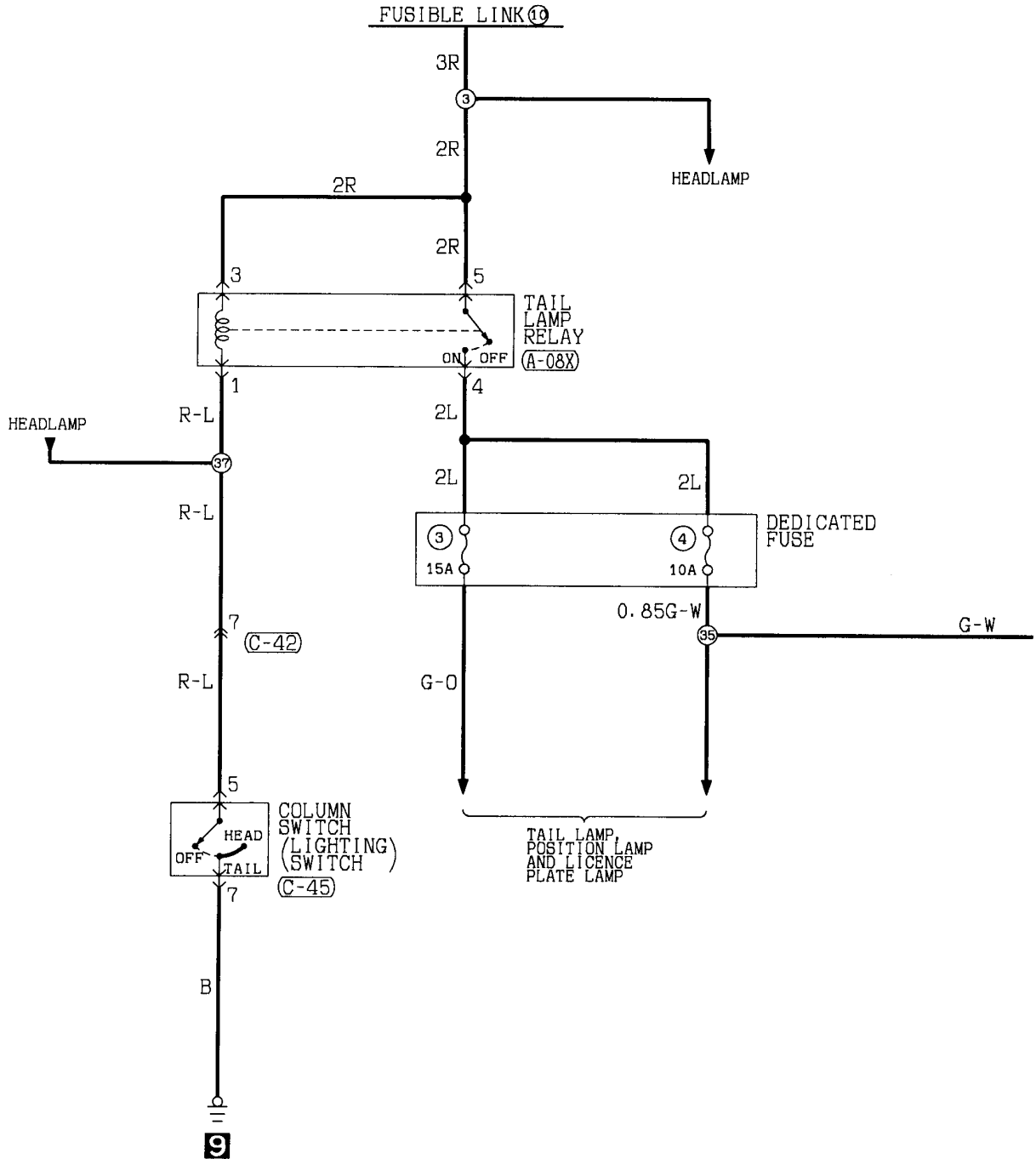
(C-70)	(C-71)	(C-72)	(C-75)	(C-76)	(C-77)
1 2 3 4 5 6 7 8 9 10 11 12 13 14 15 16 17 18	1 2 3 4 5 6 7 8 9 10 11 12 13 14 15 16 17 18 19 20	1 2 3 4 5 6 7 8 9 10	1 2 3 4 5 6 7 8 9 10 11 12 13 14 15 16 17 18	1	1 2 3 4 5 6 7 8 9 10 11 12 13 14 15 16 17 18 19 20

Wire colour code
 B : Black LG:Light green G :Green L :Blue W :White Y :Yellow SB:Sky blue
 BR:Brown O :Orange GR:Gray R :Red P :Pink V :Violet

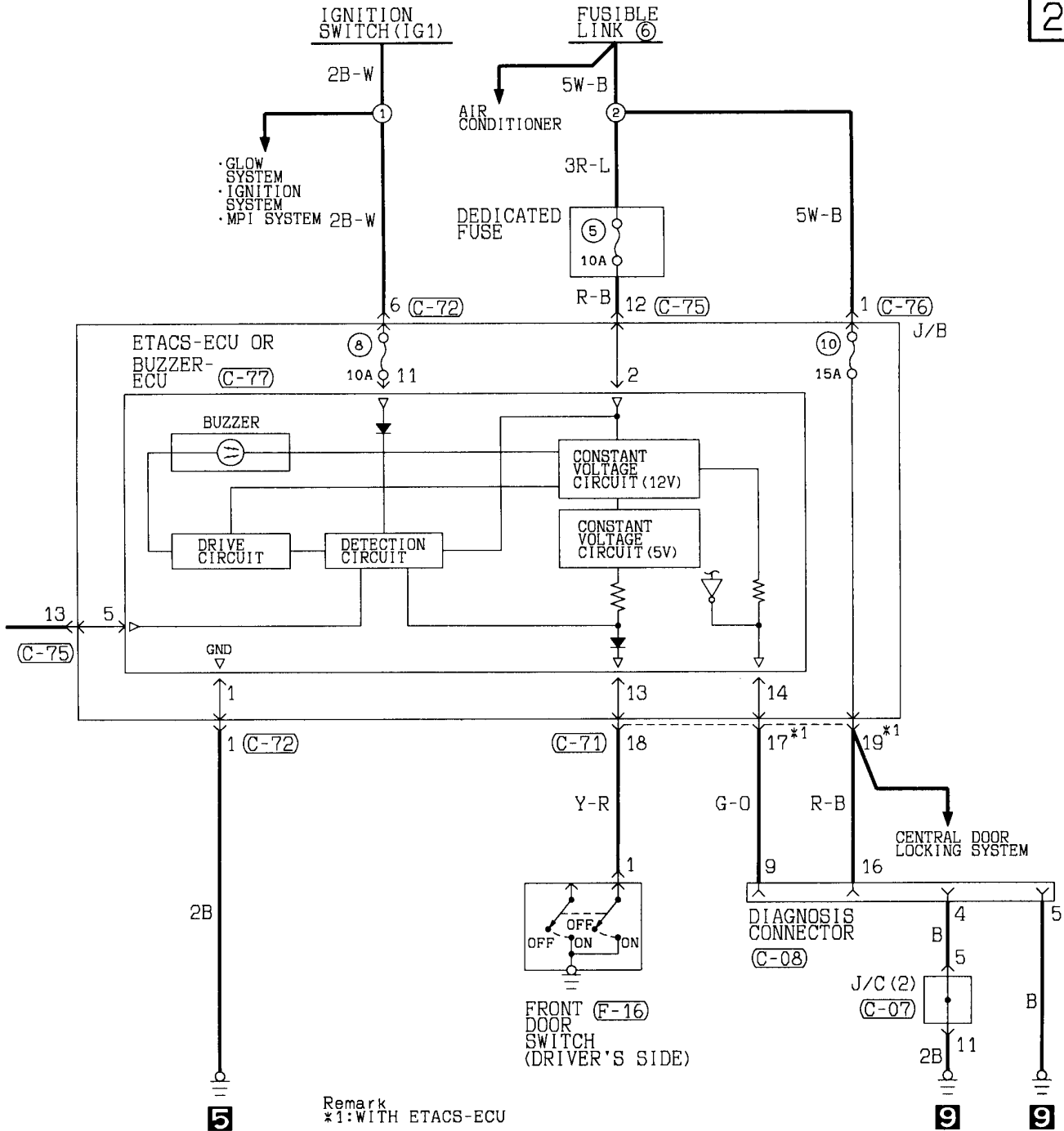
LIGHTING MONITOR BUZZER

R.H. drive vehicles

1



2



Remark
*1: WITH ETACS-ECU

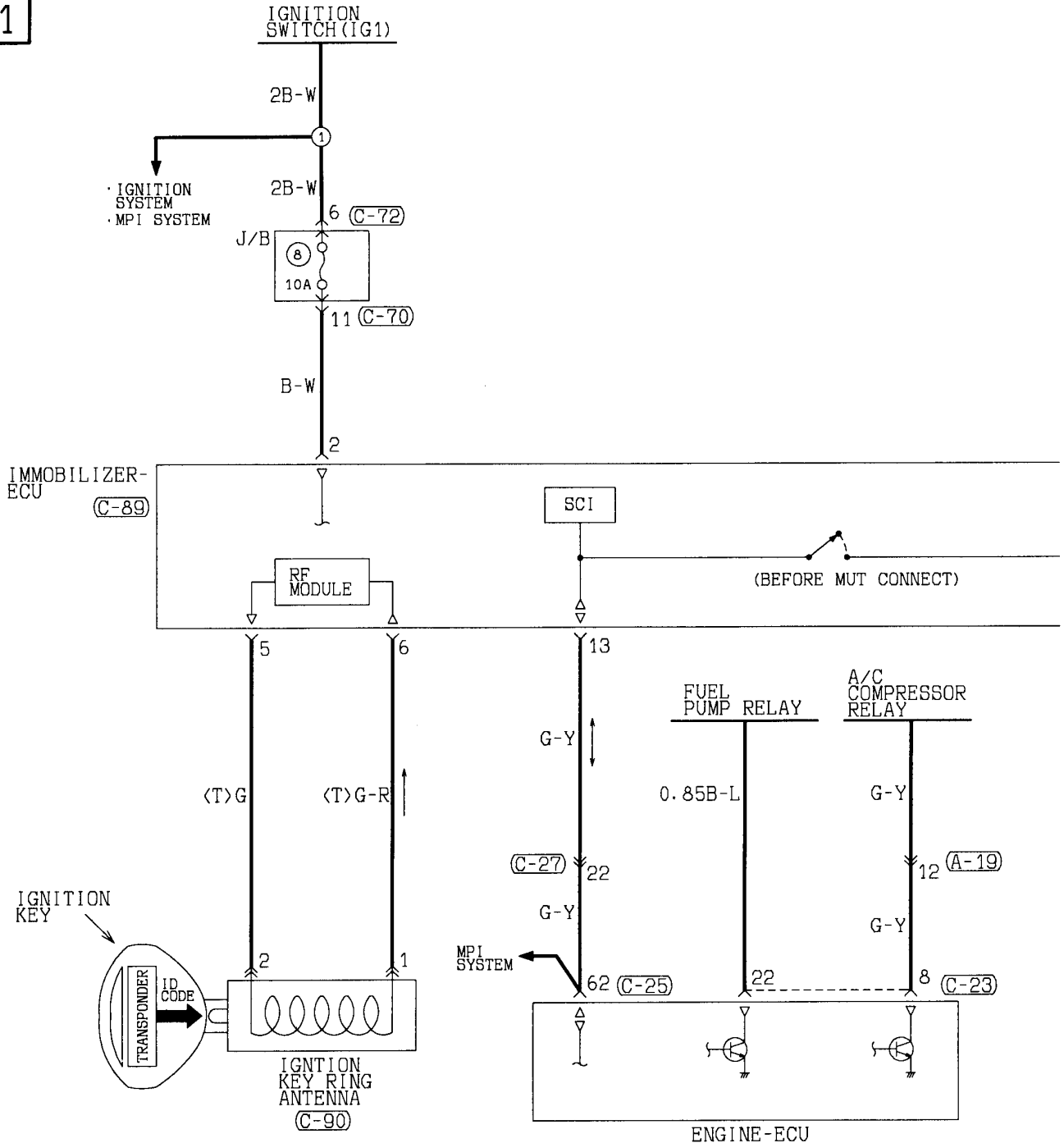
(C-71)	(C-72)	(C-75)	(C-76)	(C-77)	(F-16)
1 2 3 4 5 6 7 8 9 10 11 12 13 14 15 16 17 18 19 20	1 2 3 4 5 6 7 8 9 10	1 2 3 4 5 6 7 8 9 10 11 12 13 14 15 16 17 18	1	1 2 3 4 5 6 7 8 9 10 11 12 13 14 15 16 17 18 19 20	1 2

Wire colour code
 B : Black LG: Light green G : Green L : Blue W : White Y : Yellow SB: Sky blue
 BR: Brown O : Orange GR: Gray R : Red P : Pink V : Violet

IMMOBILIZER SYSTEM

Petrol-powered vehicles

1



(A-19)



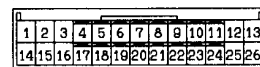
(C-07)



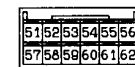
(C-08) FRONT SIDE



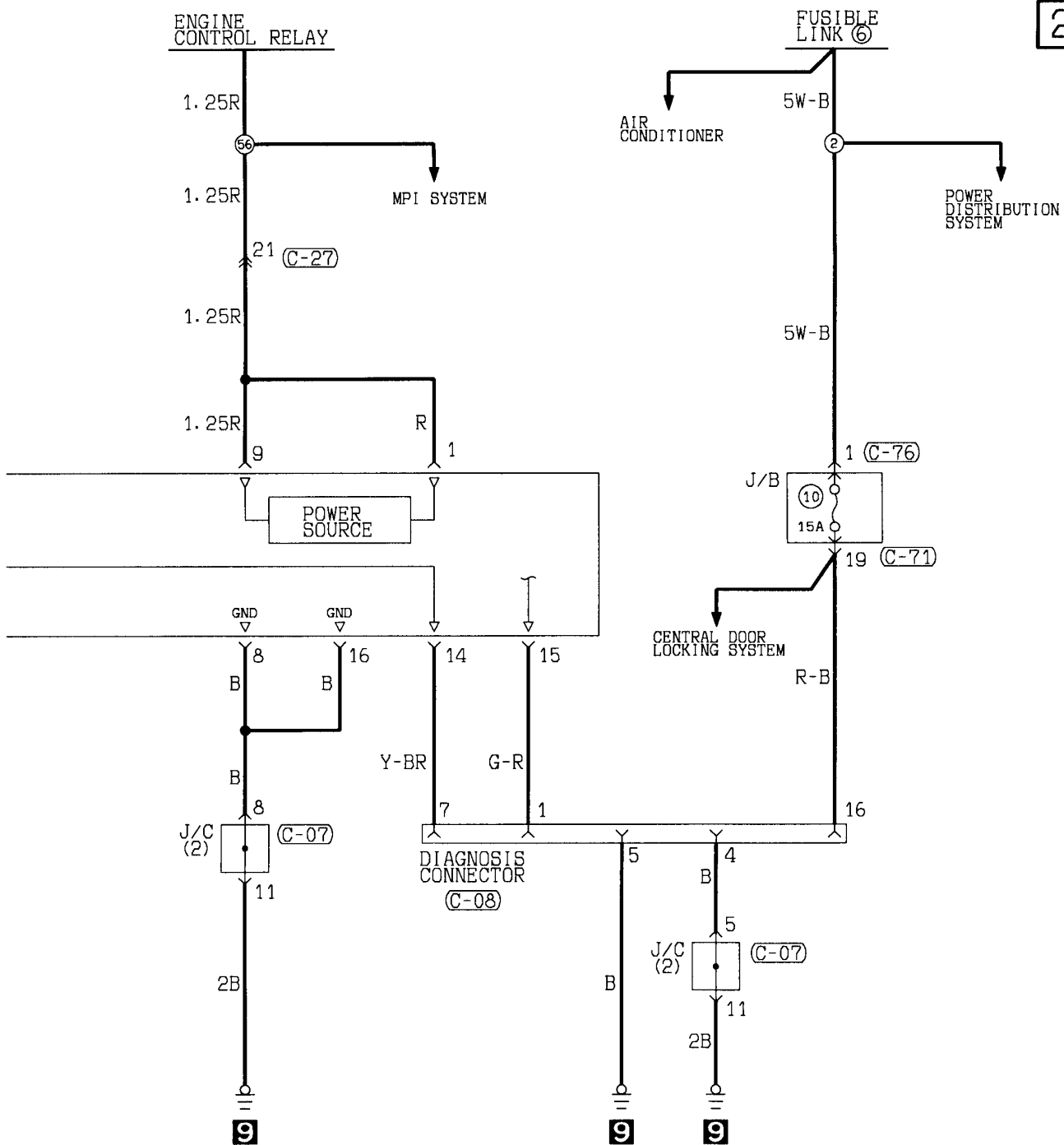
(C-23)



(C-25)



2

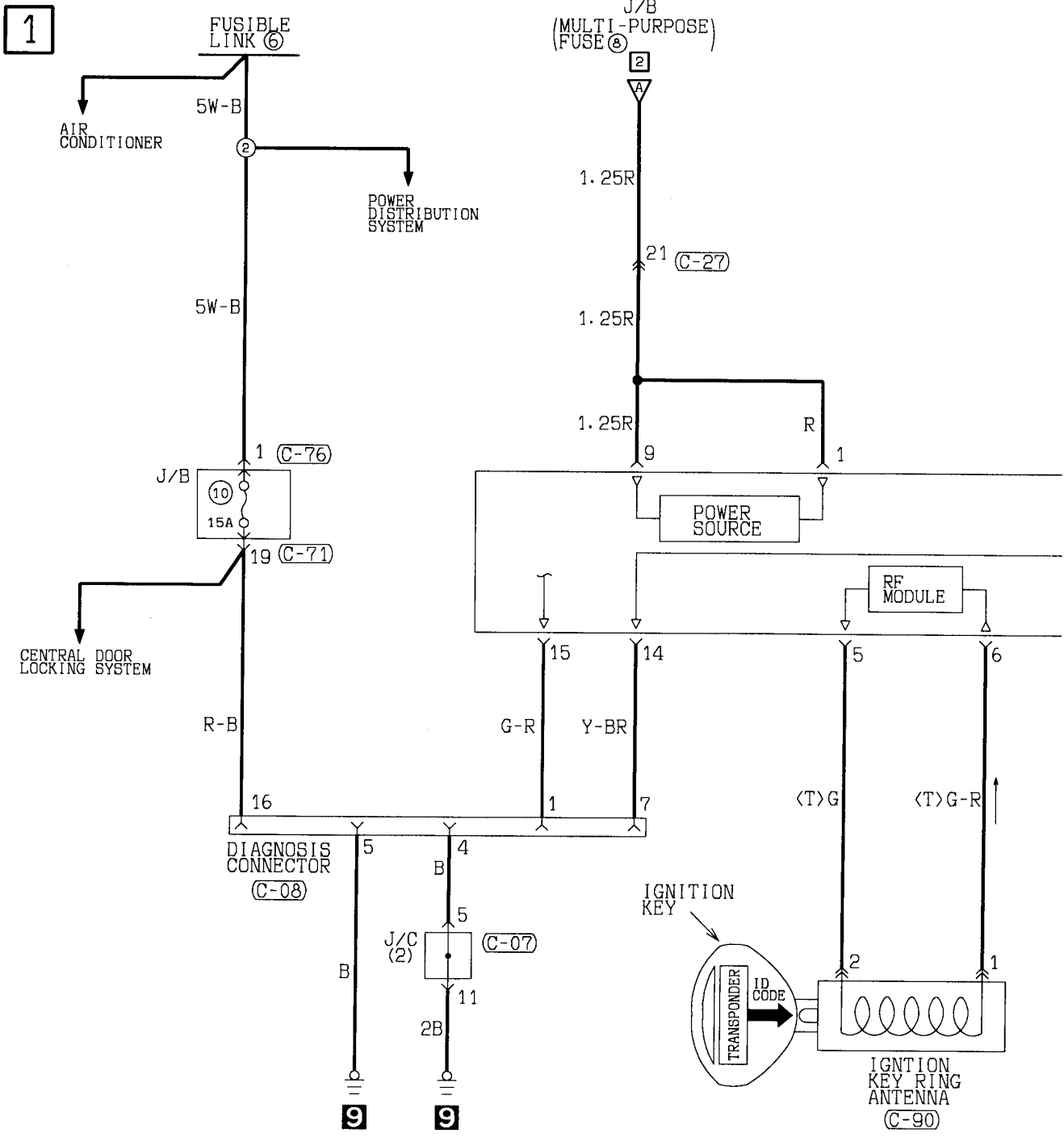


C-27	C-70	C-71	C-72	C-76	C-89	C-90
1 2 3 4 5 6 7 8 9 10 11 12 13 14 15 16 17 18 19 20 21 22	1 2 3 4 5 6 7 8 9 10 11 12 13 14 15 16 17 18	1 2 3 4 5 6 7 8 9 10 11 12 13 14 15 16 17 18 19 20	1 2 3 4 5 6 7 8 9 10	1	1 2 3 4 5 6 7 8 9 10 11 12 13 14 15 16	1 2

Wire colour code
 B : Black LG: Light green G : Green L : Blue W : White Y : Yellow SB: Sky blue
 BR: Brown O : Orange GR: Gray R : Red P : Pink V : Violet

IMMOBILIZER SYSTEM

Diesel-powered vehicles



(A-51)

(A-142)

(C-07)

(C-08)

FRONT SIDE

(C-27)

(C-28)

1

1	2	3
---	---	---

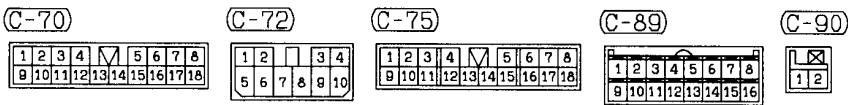
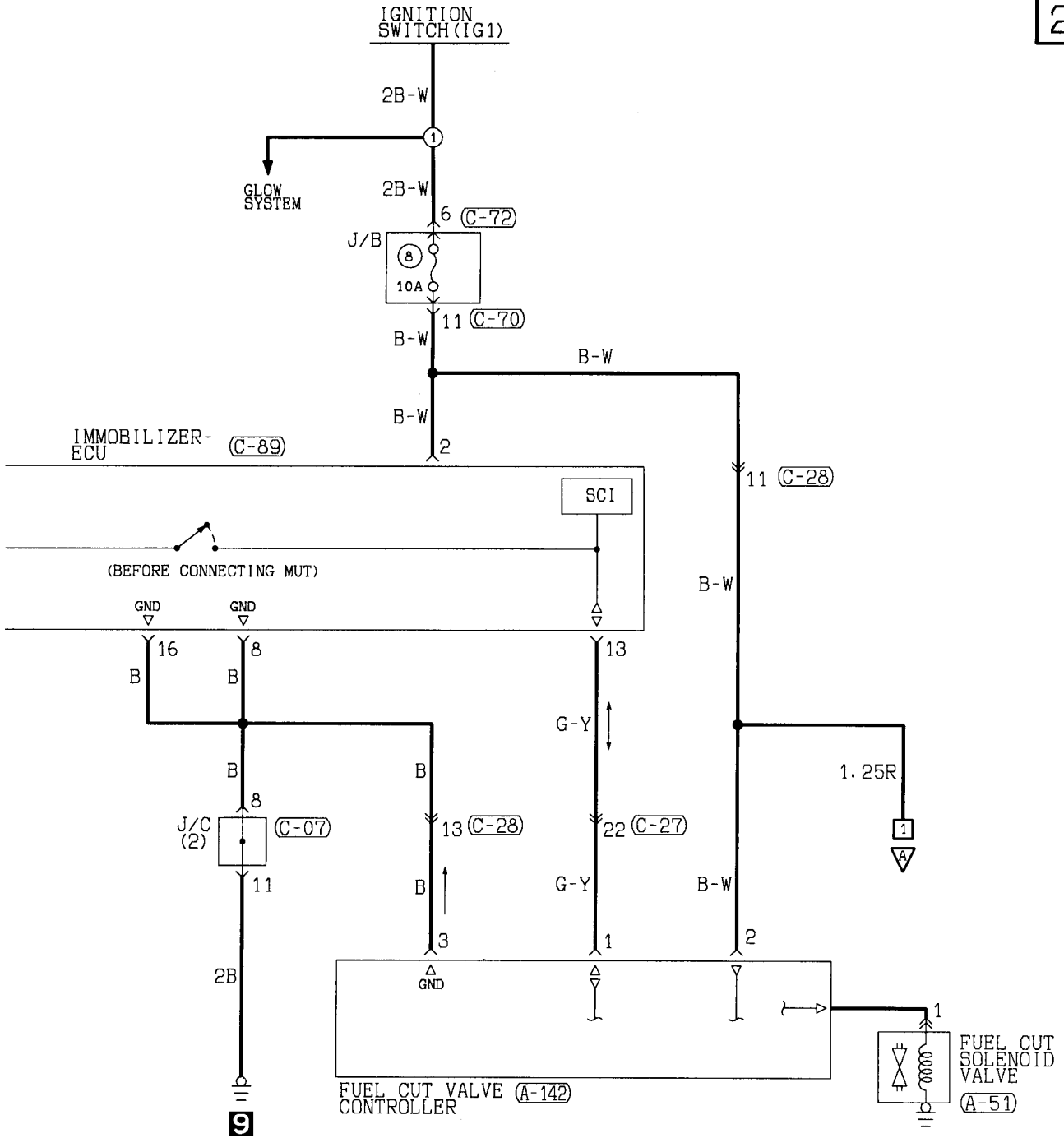
1	2	3	4	5	6	7	8	9	10	11
12	13	14	15	16	17	18	19	20	21	22
23	24	25	26	27	28	29	30	31	32	33

1	2	3	4	5	6	7	8
9	10	11	12	13	14	15	16

1	2	3	4	5	6	7	8	9	10
11	12	13	14	15	16	17	18	19	20
21	22								

1	2	3	4	5	6	7	8
9	10	11	12	13	14	15	16
17	18						

2



Wire colour code
 B :Black LG:Light green G :Green L :Blue W :White Y :Yellow SB:Sky blue
 BR:Brown O :Orange GR:Gray R :Red P :Pink V :Violet