



# Workshop Manual

---

**electrical wiring**

SUPPLEMENT

## **L300 '95**

# MITSUBISHI L300

## ELECTRICAL WIRING

### SUPPLEMENT

#### FOREWORD

This publication is a supplement to the Electrical Wiring Manual Pub. Nos. PHWE8907, PHWE8907-1, PHWE8907-2, PHWE8907-3, PHWE9022, PHWE9022-1, PHWE9022-2 and contains only additions and changes to the original issue.

It is recommended that all service mechanics engaged in the servicing of the vehicle refer to the following publications as well as this manual.

#### WORKSHOP MANUAL

ENGINE GROUP PWEE□□□□  
(Looseleaf edition)

CHASSIS GROUP PWWE8608  
(Looseleaf edition)

PARTS CATALOGUE B6031804A□  
B8031804A□  
BFA31804A□

All information, illustrations and product descriptions contained in this manual are current as of time of publication. We, however, reserve the right to make changes at any time without prior notice or obligation.

## GROUP INDEX

GENERAL .....	■
WIRING HARNESS CONFIGURATION DIAGRAMS .....	2
SINGLE PART INSTALLATION POSITION .....	3
CIRCUIT DIAGRAM .....	4



# HOW TO USE THIS MANUAL

## CONTENTS

The preceding page contains GROUP INDEX which lists the group title and group number.

## PAGE NUMBERS

All page numbers consist of two sets of digits separated by a dash. The digits preceding the dash identify the number of the group. The digits following the dash represent the consecutive page number within the group. The page numbers can be found on the top left or right of each page.

## OPERATION AND TROUBLESHOOTING

### HINTS

In the GROUP 4 circuit diagrams, the operation and troubleshooting hints are given on the previous page or following page for each circuit where necessary.

## INDICATION OF DESTINATION

General Export, GCC and Australia used for convenience to indicate destination.

### NOTE

1. "General Export" means territories other than Europe, GCC, Australia, New Zealand, the U.S.A. and Canada.
2. "GCC" indicates a classification within the models for General Export category: models for countries that are members of the (Persian) Gulf Cooperation Council of nations.
3. In some instances, vehicles with other specifications may be shipped to some countries.

# GENERAL

MODELS .....	2
--------------	---

**MODELS****VEHICLES FOR EUROPE**

Model code	Engine model	Transmission model	Body type
P05VLZAL6	4D56	R5M21	Window van
P05VGLZL6	4D56	R5M21	Panel van
P05VGLZR6	4D56	R5M21	Panel van
P05VGLZAL6	4D56	R5M21	Panel van
P15VJLZL6	4D56	R5M21	Panel van (Long body)
P15VJLZR6	4D56	R5M21	Panel van (Long body)
P15VHLZL6	4D56	R5M21	Window van (Long body)
P45VJLNTL6	4D56	V5M21	Panel van (4WD) (Long body)
P03VGLZAL6	4G63	R5M21	Panel van
P03VLZAL6	4G63	R5M21	Window van
P03VLZEL6	4G63	R5M21	Window van
P03VGLZEL6	4G63	R5M21	Panel van
P03VGLZER6	4G63	R5M21	Panel van
P13VJLZEL6	4G63	R5M21	Panel van (Long body)
P13VJLZER6	4G63	R5M21	Panel van (Long body)
P13VHLZEL6	4G63	R5M21	Window van (Long body)
P15VJLZAL6	4D56	R5M21	Panel van (Long body)
P25VGLNTAL6	4D56	V5M21	Panel van (4WD)
P45VJLNTAL6	4D56	V5M21	Panel van (4WD) (Long body)

**VEHICLES FOR GENERAL EXPORT**

Model code	Engine model	Transmission model	Body type
P06VGLZL	4G92	R5M21	Panel van
P06VGLZR	4G92	R5M21	Panel van
P16VJLZL	4G92	R5M21	Panel van (Long body)
P16VJLZR	4G92	R5M21	Panel van (Long body)
P13VJLZEL	4G63	R5M21	Panel van (Long body)
P15VJLZL	4D56	R5M21	Panel van (Long body)
P15VJLZR	4D56	R5M21	Panel van (Long body)
P06VGLZAR1D	4G92	R5M21	Panel van
P16VJLZAR1D	4G92	R5M21	Panel van (Long body)
P13WHLZL	4G63	R5M21	Mini-bus (Long body)
P13WHLZR	4G63	R5M21	Mini-bus (Long body)
P15WHLZL	4D56	R5M21	Mini-bus (Long body)
P15WHLZR	4D56	R5M21	Mini-bus (Long body)

**VEHICLES FOR GCC**

Model code	Engine model	Transmission model	Body type
P03VGLZLW	4G63	R5M21	Panel van
P13VJLZLW	4G63	R5M21	Panel van (Long body)
P15VJLZLW	4D56	R5M21	Panel van (Long body)
P13WHLZLW	4G63	R5M21	Mini-bus (Long body)
P15WHLZLW	4D56	R5M21	Mini-bus (Long body)

**VEHICLES FOR AUSTRALIA**

Model code	Engine model	Transmission model	Body type
P03VGSNR8	4G63	R5M21	Panel van
P03VGSRR8	4G63	R4AW2	Panel van
P03VSNR8	4G63	R5M21	Window van
P03VSRR8	4G63	R4AW2	Window van
P14VJLNER8	4G64	R5M21	Panel van (Long body)
P14VJLRER8	4G64	R4AW2	Panel van (Long body)
P24VGSNER8	4G64	V5M21	Panel van (4WD)
P05VGSNR8	4D56	R5M21	Panel van
P05VGSRR8	4D56	R4AW2	Panel van
P15VJLNR8	4D56	R5M21	Panel van (Long body)
P15VJLRR8	4D56	R4AW2	Panel van (Long body)

## 2 WIRING HARNESS CONFIGURATION DIAGRAMS

### INSTRUMENT PANEL A

L.H. drive vehicles for Europe .....	2- 2
R.H. drive vehicles for Europe .....	2- 2
L.H. drive vehicles for General Export.....	2- 3
R.H. drive vehicles for General Export .....	2- 3
Vehicles for Australia .....	2- 4

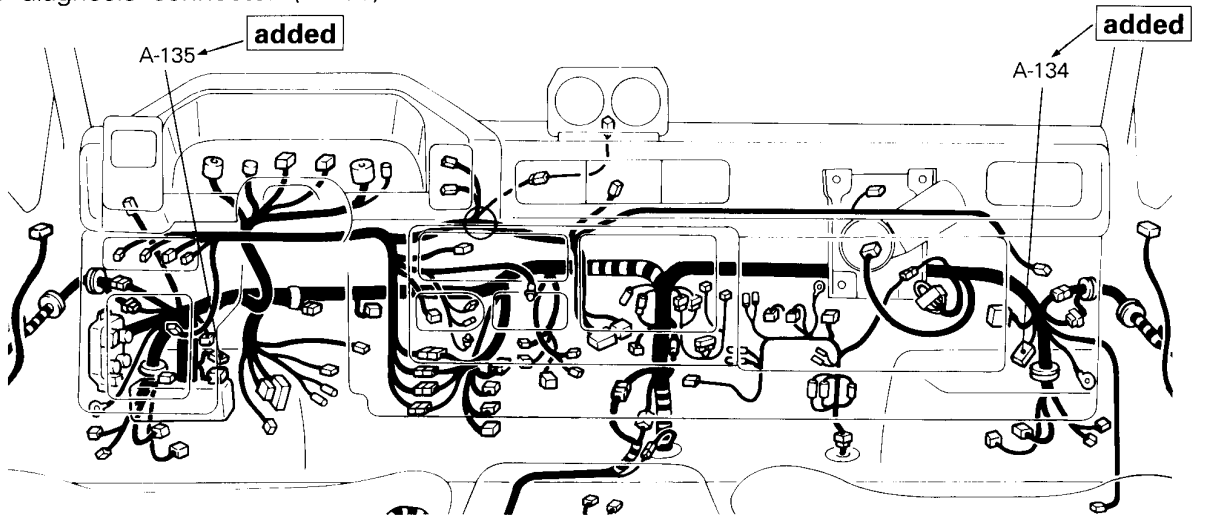
### ENGINE ROOM AND UNDER FLOOR B

Petrol-powered vehicles for Europe (L.H. drive 2WD vehicles with 4G63-Feedback carburettor) .....	2- 6
Petrol-powered vehicles for Europe (L.H. drive 2WD vehicles with 4G63-MPI) .....	2-10
Petrol-powered vehicles for Europe (R.H. drive 2WD vehicles with 4G63-MPI) .....	2-14
Petrol-powered vehicles for General Export (L.H. drive 2WD vehicles with 4G92-Conventional carburettor) ....	2-18
Petrol-powered vehicles for General Export (R.H. drive 2WD vehicles with 4G92-Conventional carburettor) ...	2-22
Petrol-powered vehicles for General Export and GCC (L.H. drive 2WD vehicles with 4G63-Conventional carburettor) ....	2-26
Petrol-powered vehicles for General Export (R.H. drive 2WD vehicles with 4G63-Conventional carburettor) ...	2-30
Petrol-powered vehicles for General Export (R.H. drive 2WD vehicles with 4G92-Feedback carburettor) .....	2-34
Petrol-powered vehicles for General Export (L.H. drive 2WD vehicles with 4G63-MPI) .....	2-38
Petrol-powered vehicles for Australia (Vehicles with 4G63-Conventional carburettor) .....	2-42
Petrol-powered vehicles for Australia (Vehicles with 4G64-MPI) .....	2-46

### INSTRUMENT PANEL

#### L.H. drive vehicles for Europe

- The no connection (A-134) has been added to the feedback carburettor vehicle.
- The diagnosis connector (A-135) has been added to the MPI vehicle.

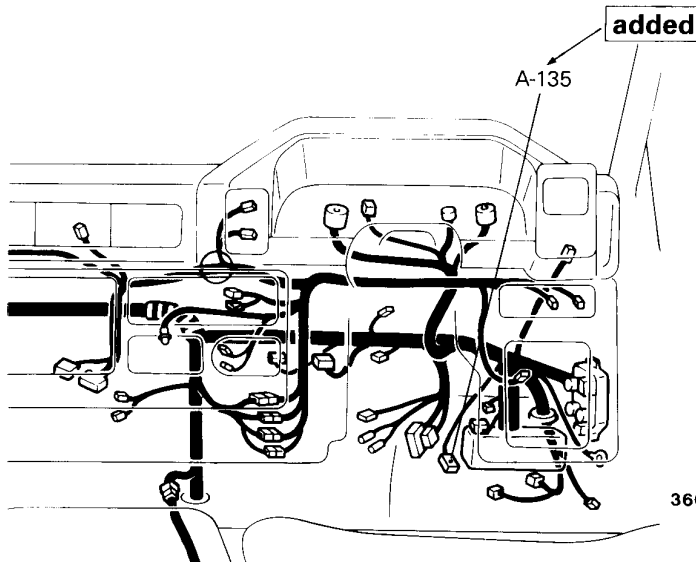


36G0222

- A-134 No connection (Vehicles with feedback carburettor) ← **added**
- A-135 Diagnosis connector (MPI) ← **added**

#### R.H. drive vehicles for Europe

- The diagnosis connector (A-135) has been added to the MPI vehicle.



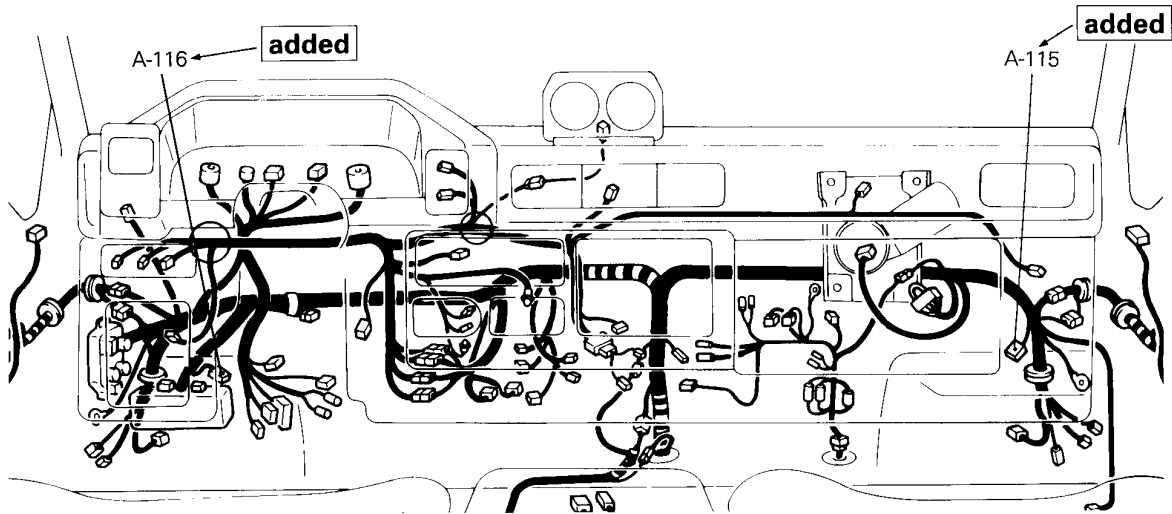
- A-135 Diagnosis connector (MPI) ← **added**

36G0223



**L.H. drive vehicles for General Export**

- The fuel pump control unit (A-115) has been added to the conventional carburettor vehicle.
- The diagnosis connector (A-116) has been added to the MPI vehicle.

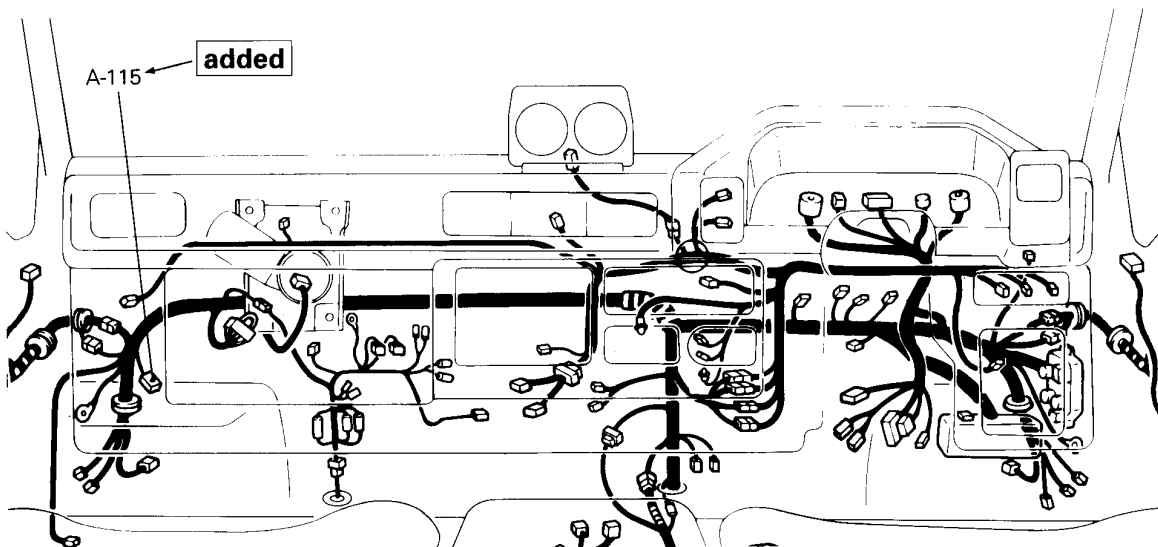


36G0226

- A-115 Fuel pump control unit (Vehicles with conventional carburettor) ← **added**
- A-116 Diagnosis connector (MPI) ← **added**

**R.H. drive vehicles for General Export**

- The no connection (A-115) has been added to the feedback carburettor vehicle.

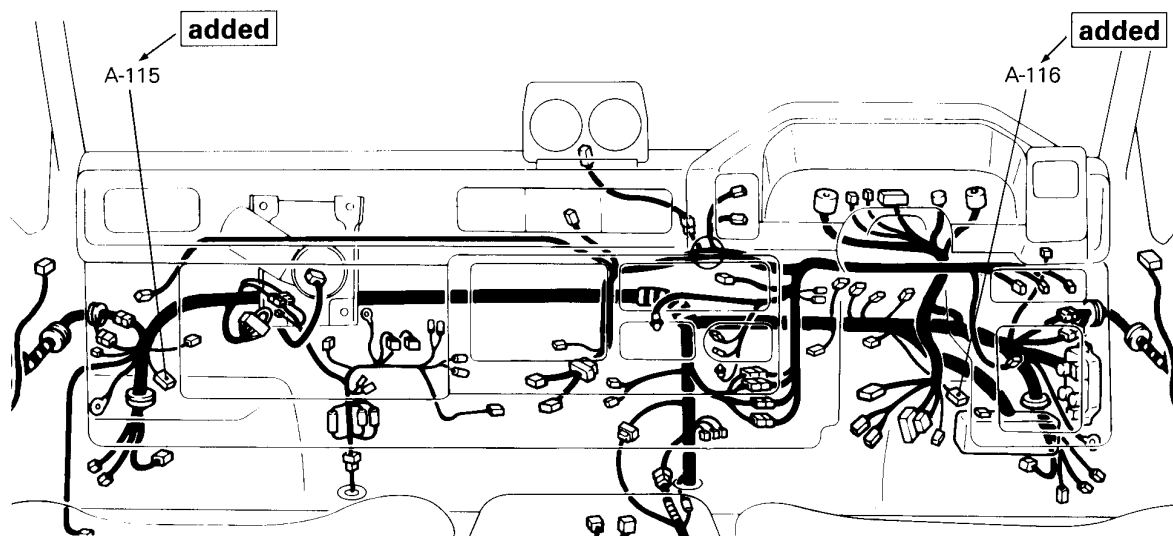


36G0224

- A-115 No connection (Vehicles with feedback carburettor) ← **added**

Vehicles for Australia

- The fuel pump control unit (A-115) has been added to the conventional carburettor vehicle.
- The diagnosis connector (A-116) has been added to the MPI vehicle.



36G0225

- A-115 Fuel pump control unit (Vehicles with conventional carburettor) ← **added**
- A-116 Diagnosis connector (MPI) ← **added**

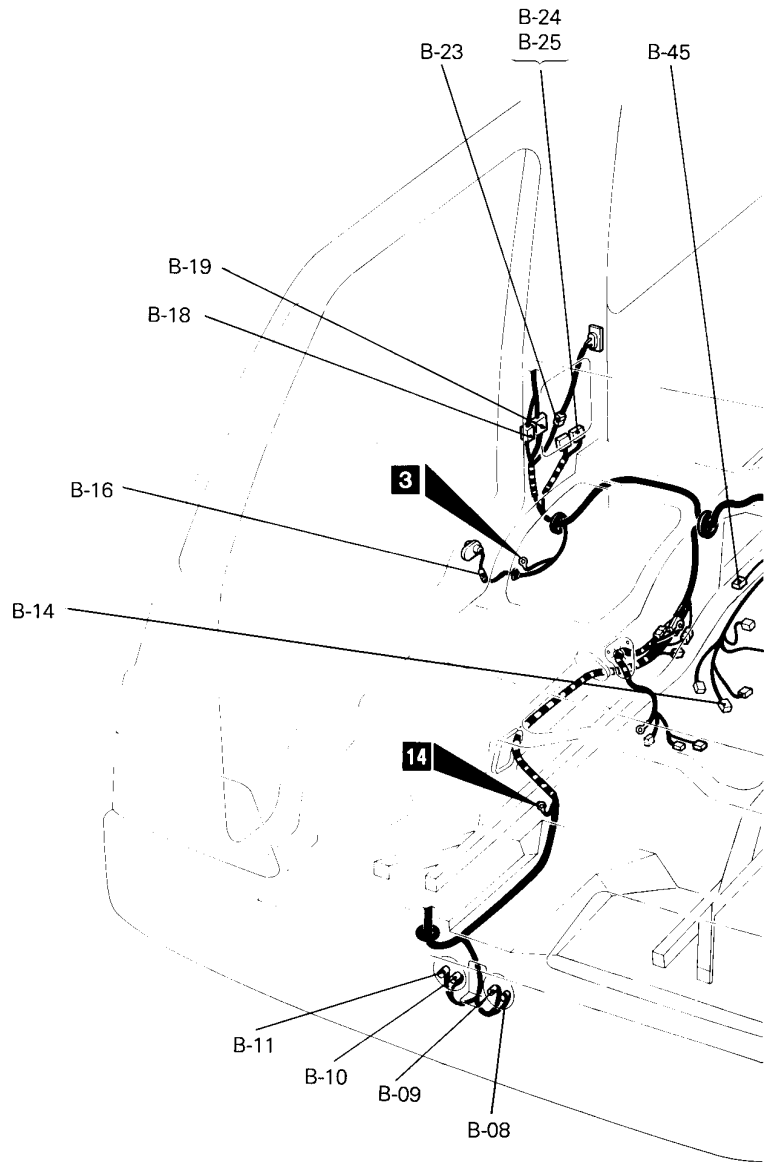
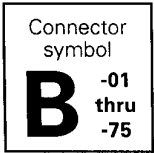
---

NOTES

# ENGINE ROOM AND UNDER FLOOR

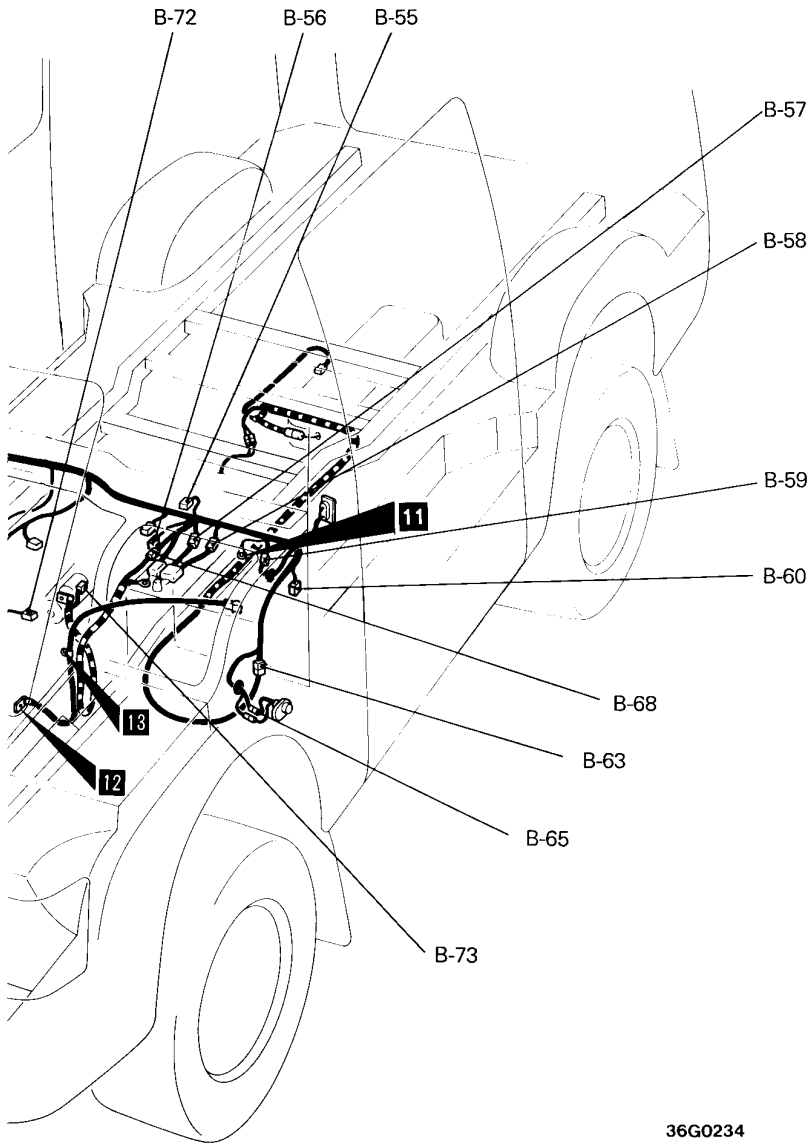
**Petrol-powered vehicles for Europe**  
**<L.H. drive 2WD vehicles with 4G63-Feedback carburettor>**

A configuration diagram exclusive for the '95 model has been set.



- B-01 thru B-07 } —
- B-08 thru B-11 } Horn
- B-12 } —
- B-13 } —
- B-14 } Oxygen sensor
- B-15 } —
- B-16 } Front door switch (R.H.)
- B-17 } —
- B-18 thru B-19 } Front wiring harness and roof wiring harness combination
- B-20 thru B-22 } —
- B-23 } Contact switch (Vehicles with central locking system)
- B-24 thru B-25 } FBC control unit

- B-26 thru B-44 } —
- B-45 } Engine coolant temperature gauge unit
- B-46 thru B-54 } —
- B-55 } Secondary air control valve



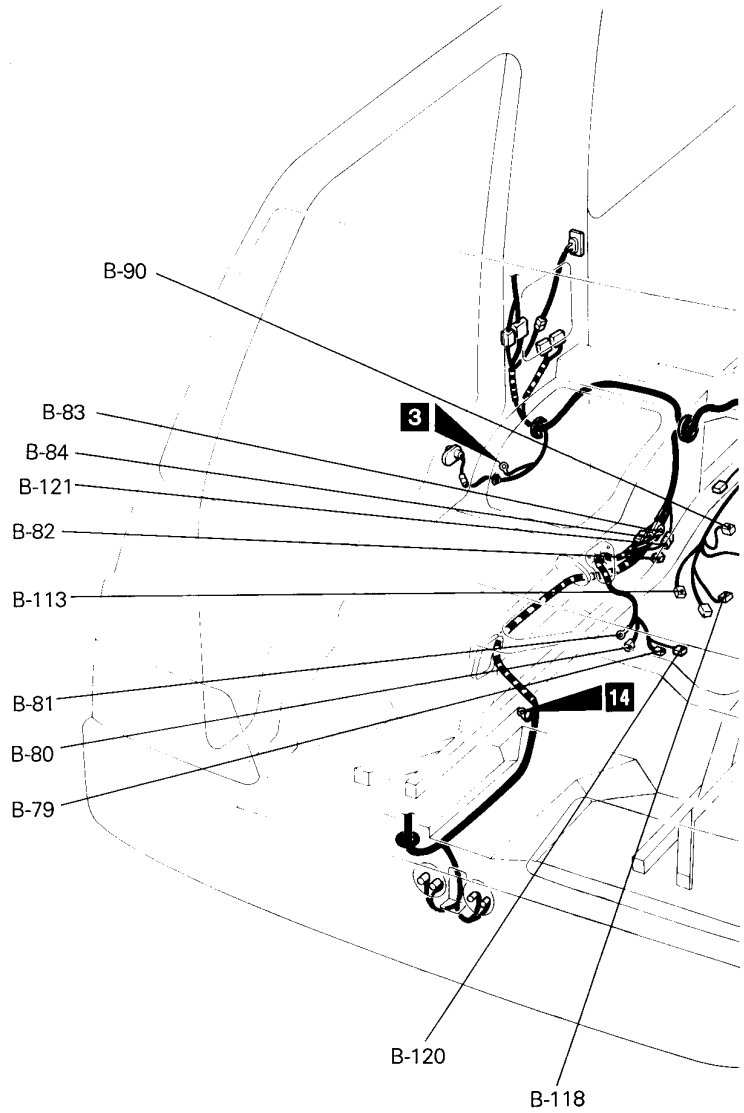
36G0234

- B-56 Vacuum switch
- B-57 } Front wiring harness and fusible link box
- B-58 } combination
- B-59 Contact switch (Vehicles with central locking system)
- B-60 Headlamp washer motor
- B-61 —
- B-62 —
- B-63 } Front wiring harness and fuel gauge wiring
- B-64 } harness combination

- B-65 Front door switch (L.H.)
- B-66 —
- B-67 —
- B-68 Front wiring harness and battery cable (+) combination
- B-69 } —
- B-71 } —
- B-72 Engine coolant temperature sensor
- B-73 Starter
- B-74 —
- B-75 —

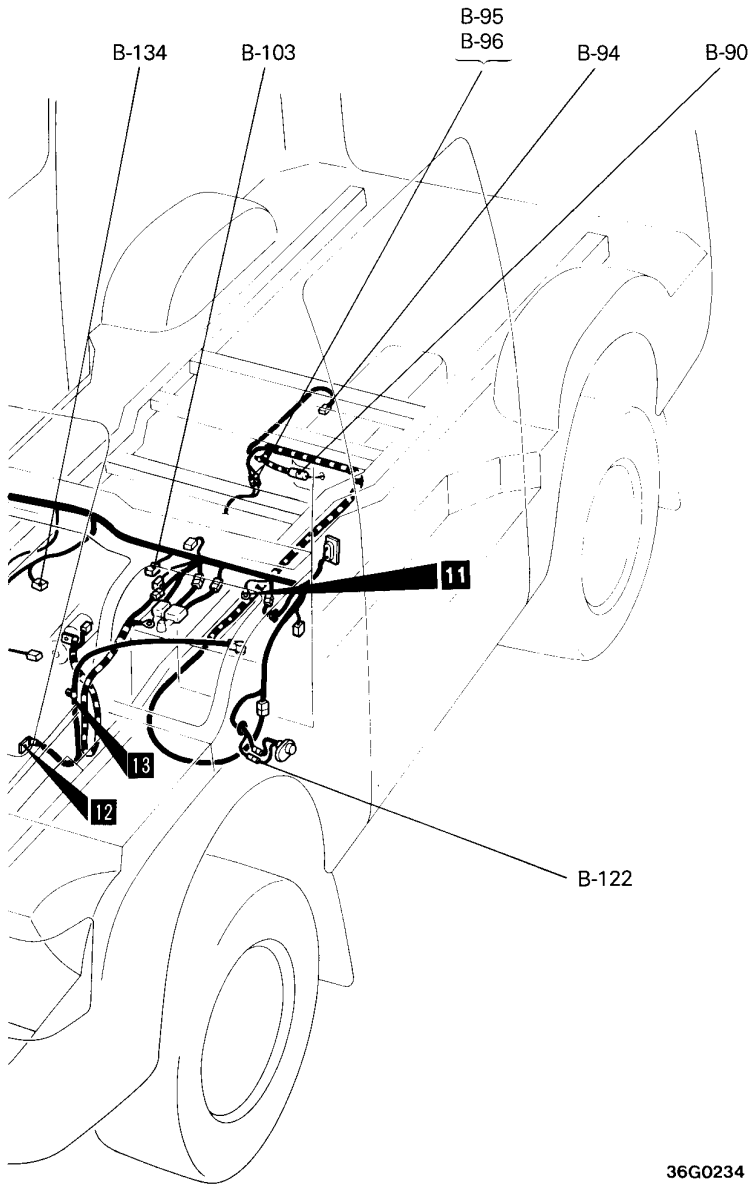
**Petrol-powered vehicles for Europe**  
**<L.H. drive 2WD vehicles with 4G63-Feedback carburettor>**

Connector symbol	
<b>B</b>	-76 thru -134



- B-76 } —
- thru } —
- B-78 } —
- B-79 } Oil pressure switch
- B-80 } Alternator
- B-81 } Alternator
- B-82 } Front wiring harness and air conditioner wiring harness combination
- B-83 } Front wiring harness and engine wiring harness combination
- B-84 } Front wiring harness and engine wiring harness combination

- B-85 } —
- thru } —
- B-89 } —
- B-90 } Throttle position sensor
- B-91 } —
- thru } —
- B-93 } —
- B-94 } Fuel gauge unit



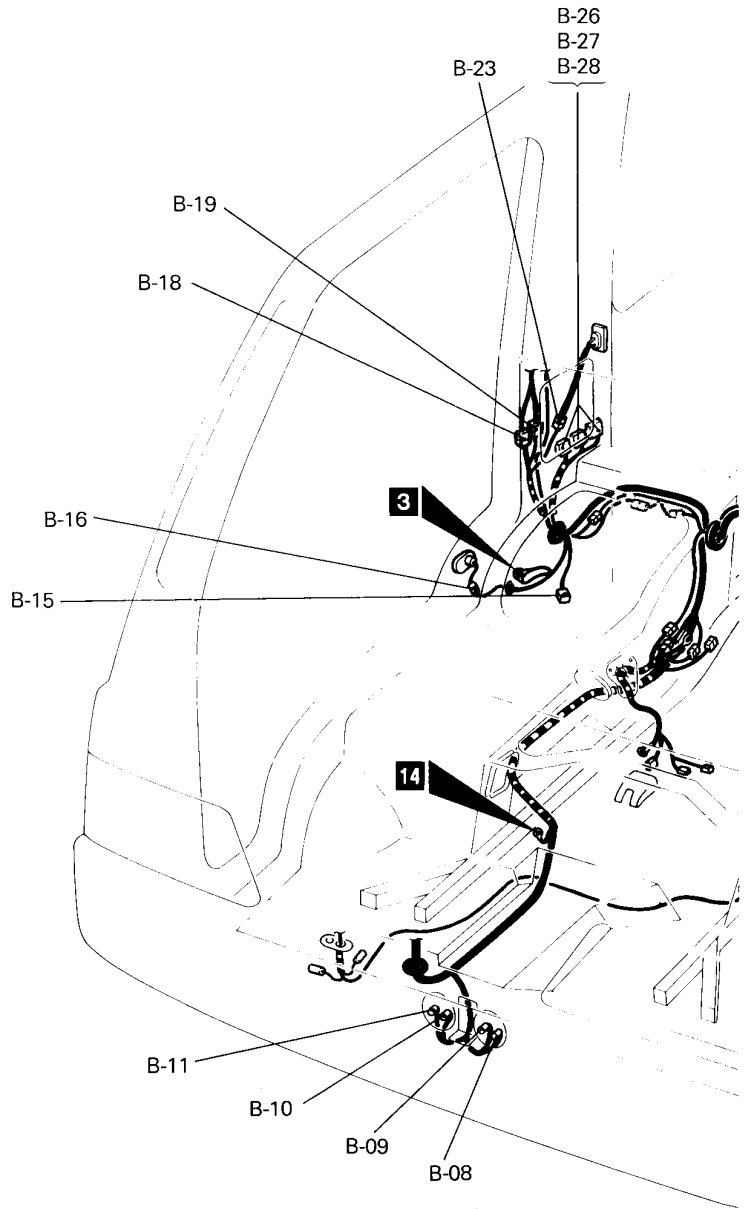
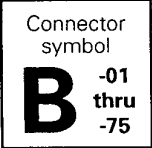
36G0234

B-95 }  
 B-96 } Back-up lamp switch  
 B-97 }  
 thru } —  
 B-102 }  
 B-103 } No connection  
 B-104 }  
 thru } —  
 B-112 }  
 B-113 } Ignition coil

B-114 }  
 thru } —  
 B-117 }  
 B-118 } Distributor  
 B-119 } —  
 B-120 } Engine oil level sensor  
 B-121 } Front wiring harness and engine wiring harness  
 combination  
 B-122 } Front door switch (L.H.)  
 B-123 }  
 thru } —  
 B-133 }  
 B-134 } Solenoid valve assembly

**Petrol-powered vehicles for Europe  
(L.H. drive 2WD vehicles with 4G63-MPI)**

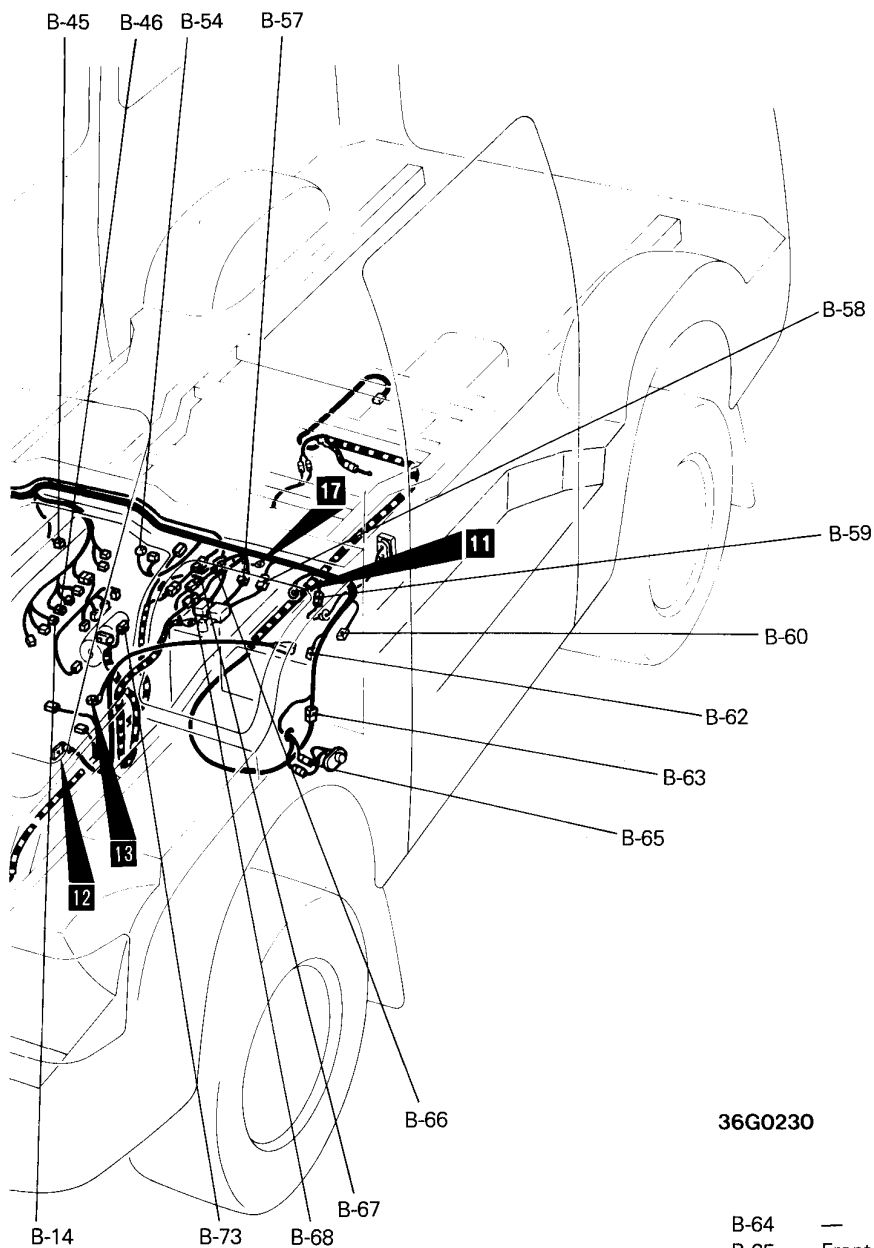
A configuration diagram exclusive for the '95 model has been set.



- B-01 thru B-07 } —
- B-08 thru B-11 } Horn
- B-12 } —
- B-13 } —
- B-14 } Oxygen sensor
- B-15 } Air flow sensor
- B-16 } Front door switch (R.H.)
- B-17 } —
- B-18 } Front wiring harness and roof wiring harness combination
- B-19 } Front wiring harness and roof wiring harness combination
- B-20 thru B-22 } —
- B-23 } Contact switch (Vehicles with central locking system)
- B-24 } —
- B-25 } —
- B-26 thru B-28 } MPI control unit

- B-29 thru B-44 } —
- B-45 } Engine coolant temperature gauge unit
- B-46 } Ignition timing adjustment connector
- B-47 thru B-53 } —
- B-54 } Purge solenoid valve
- B-55 } —
- B-56 } —





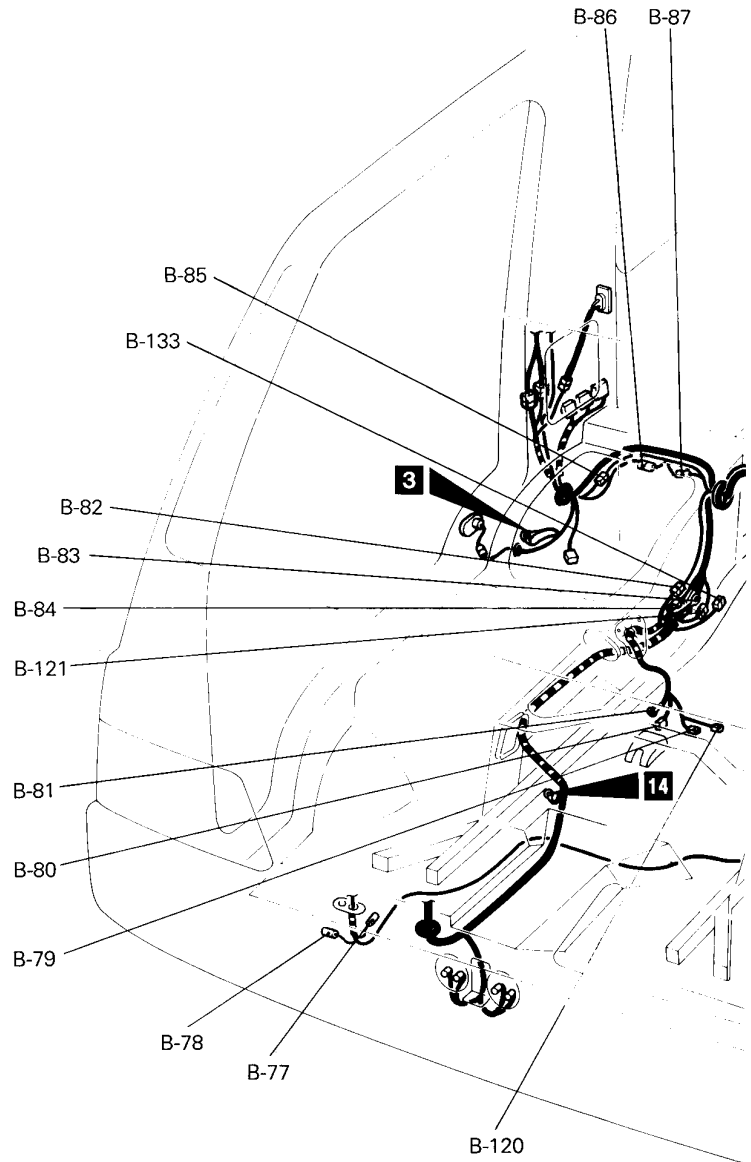
36G0230

- B-57 } Front wiring harness and fusible link box
- B-58 } combination
- B-59 Contact switch (Vehicles with central locking system)
- B-60 Headlamp washer motor
- B-61 —
- B-62 Fuel pump check connector
- B-63 Front wiring harness and fuel gauge wiring harness combination

- B-64 —
- B-65 Front door switch (L.H.)
- B-66 Front wiring harness and fusible link combination
- B-67 Fusible link and battery cable (+) combination
- B-68 Front wiring harness and battery cable (+) combination
- B-69 } —
- B-72 } —
- B-73 Starter
- B-74 —
- B-75 —

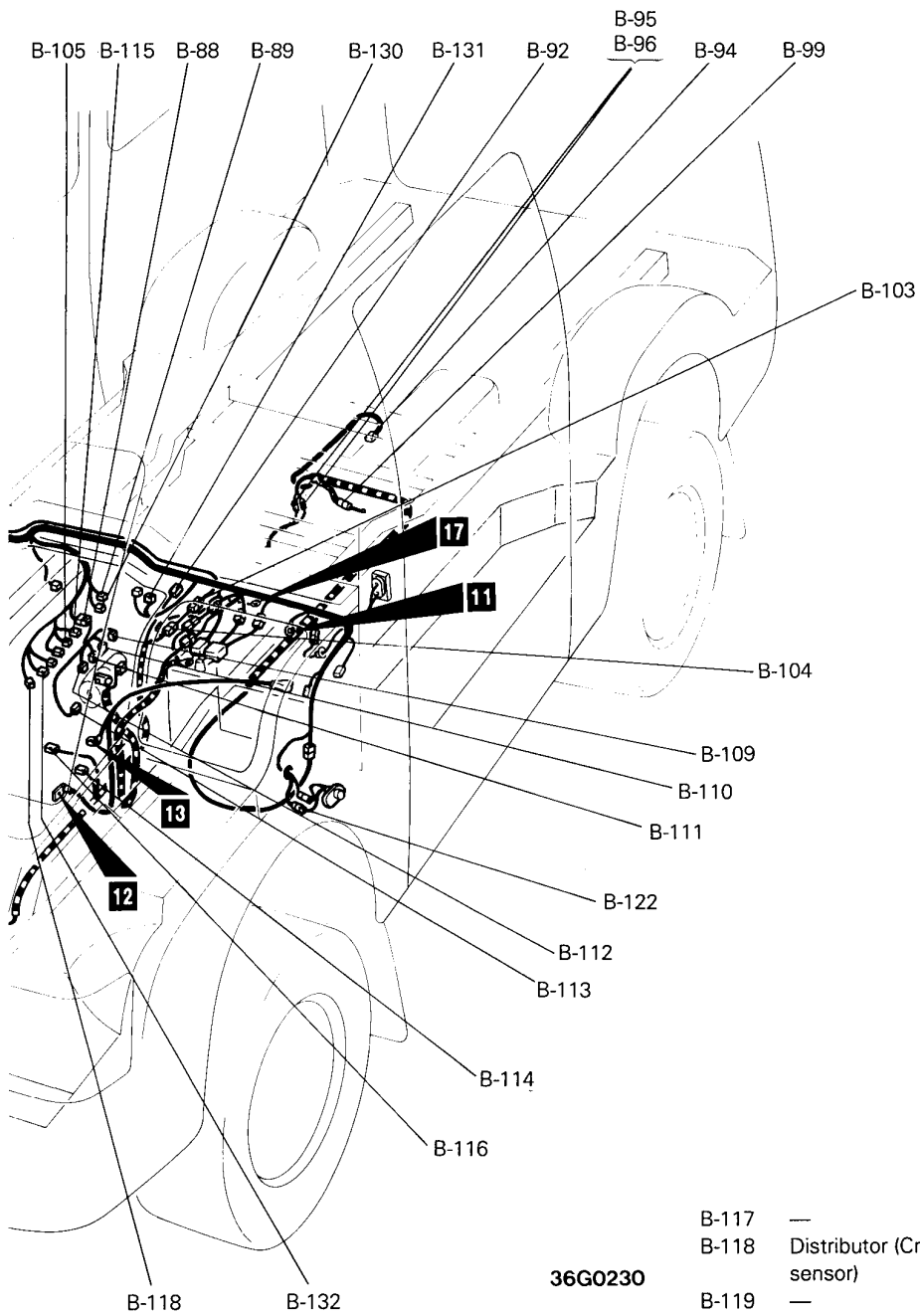
**Petrol-powered vehicles for Europe  
(L.H. drive 2WD vehicles with 4G63-MPI)**

Connector symbol  
**B** -76 thru -133



- B-76 —
- B-77 Pressure switch (Dual) (Air conditioner)
- B-78 Condenser fan motor (Air conditioner)
- B-79 Oil pressure switch
- B-80 } Alternator
- B-81 }
- B-82 Front wiring harness and air conditioner wiring harness combination
- B-83 } Front wiring harness and engine wiring harness combination
- B-84 }
- B-85 } Overhead air conditioner wiring harness and air conditioner harness combination
- B-86 }
- B-87 Dedicated fuse (Air conditioner)
- B-88 Front wiring harness and engine wiring harness combination
- B-89 Throttle position sensor
- B-90 —
- B-91 —
- B-92 Solenoid valve (Air conditioner)
- B-93 —
- B-94 Fuel gauge unit
- B-95 } Back-up lamp switch
- B-96 }
- B-97 —
- B-98 —
- B-99 Fuel pump

- B-100 } —
- thru }
- B-102 }
- B-103 Front wiring harness and fusible link combination
- B-104 Air conditioner wiring harness and fusible link combination
- B-105 Power transistor
- B-106 } —
- thru }
- B-108 }



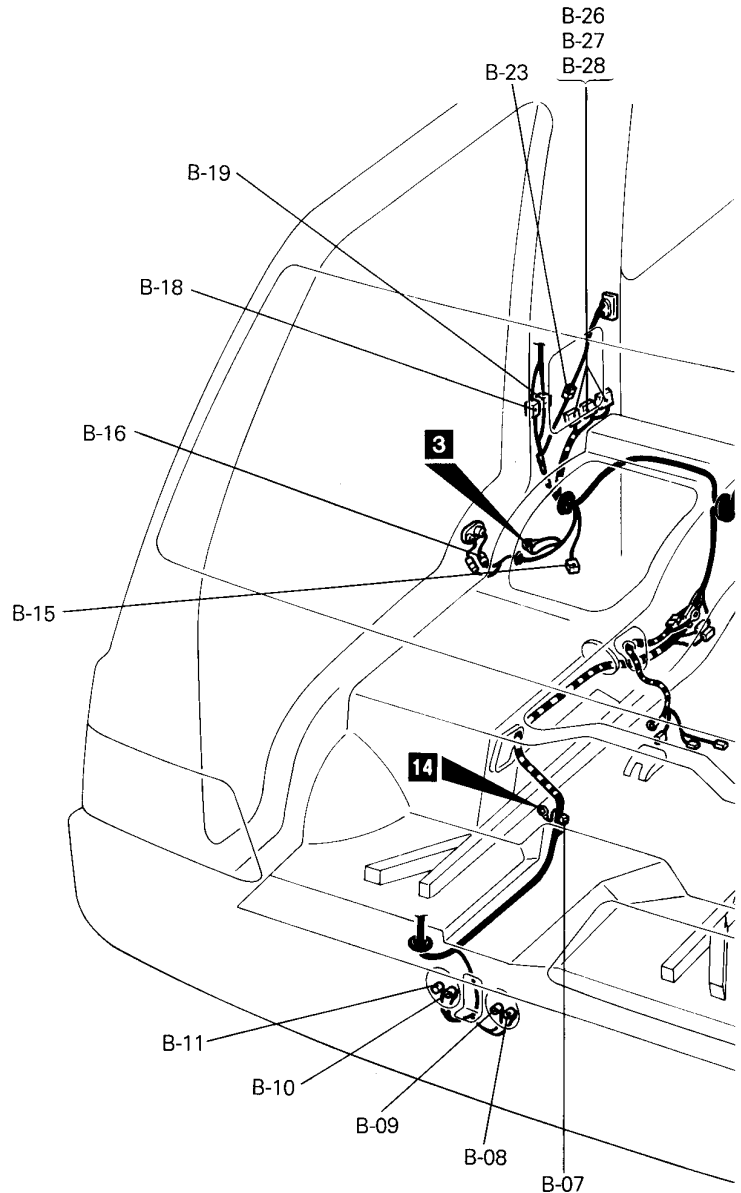
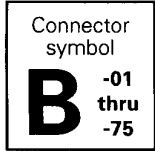
36G0230

- B-109 Injector 1
- B-110 Injector 2
- B-111 Injector 3
- B-112 Injector 4
- B-113 Ignition coil
- B-114 Magnet clutch (Air conditioner)
- B-115 Engine coolant temperature sensor
- B-116 Engine coolant temperature switch (Air conditioner)

- B-117 —
- B-118 Distributor (Crank angle sensor and top dead centre sensor)
- B-119 —
- B-120 Engine oil level sensor
- B-121 Front wiring harness and engine wiring harness combination
- B-122 Front door switch (L.H.)
- B-123 } —
- B-129 } —
- B-130 Idle speed control servo
- B-131 EGR solenoid valve
- B-132 Power steering oil pressure switch
- B-133 No connection

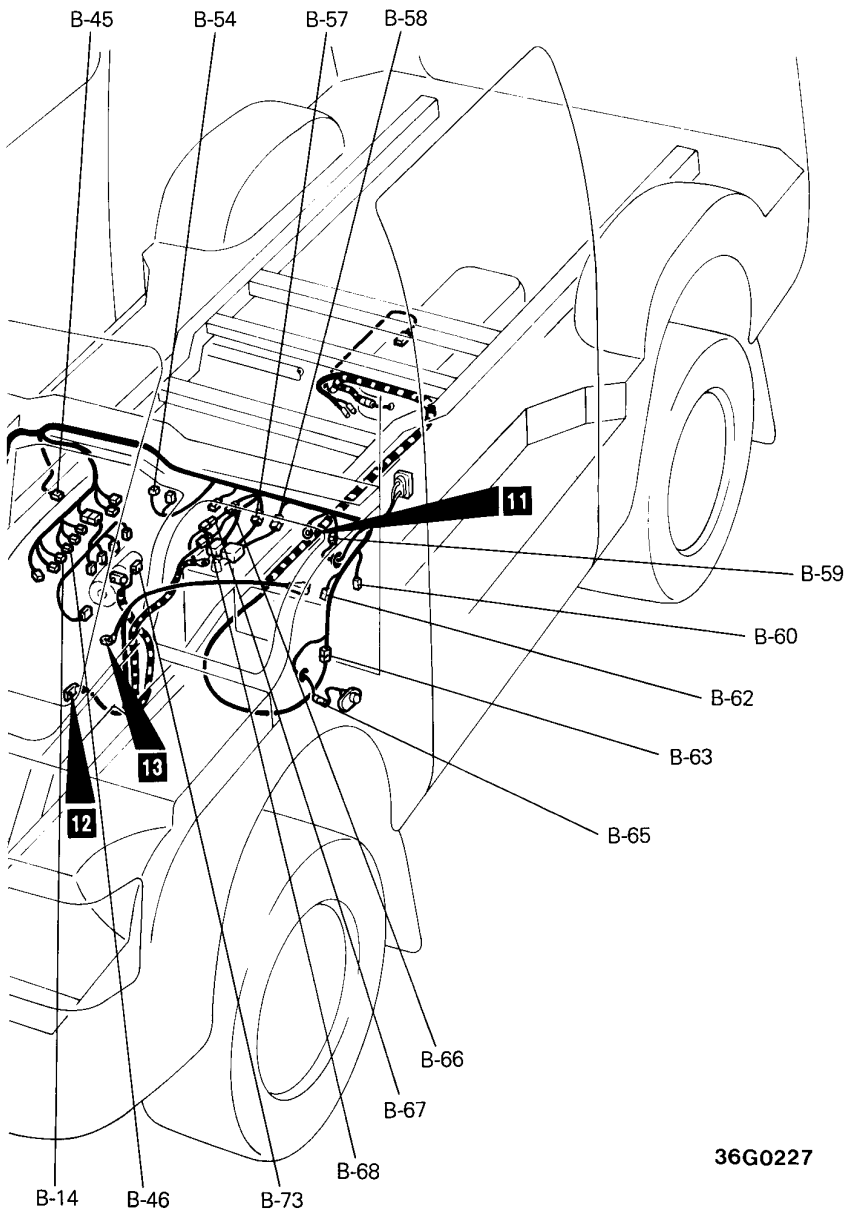
**Petrol-powered vehicles for Europe**  
**<R.H. drive 2WD vehicles with 4G63-MPI>**

A configuration diagram exclusive for the '95 model has been set.



- B-01 } —
- thru } —
- B-05 } —
- B-06 } —
- B-07 } Resistor <DIM-DIP>
- B-08 } —
- thru } Horn
- B-11 } —
- B-12 } —
- B-13 } —
- B-14 } Oxygen sensor
- B-15 } Air flow sensor
- B-16 } Front door switch (R.H.)
- B-17 } —
- B-18 } Front wiring harness and roof wiring harness
- B-19 } combination
- B-20 } —
- thru } —
- B-22 } —
- B-23 } Contact switch (Vehicles with central locking system)
- B-24 } —
- B-25 } —
- B-26 } MPI control unit
- B-27 } —
- B-28 } —

- B-29 } —
- thru } —
- B-44 } —
- B-45 } Engine coolant temperature gauge unit
- B-46 } Ignition timing adjustment connector
- B-47 } —
- thru } —
- B-53 } —
- B-54 } Purge solenoid valve
- B-55 } —
- B-56 } —



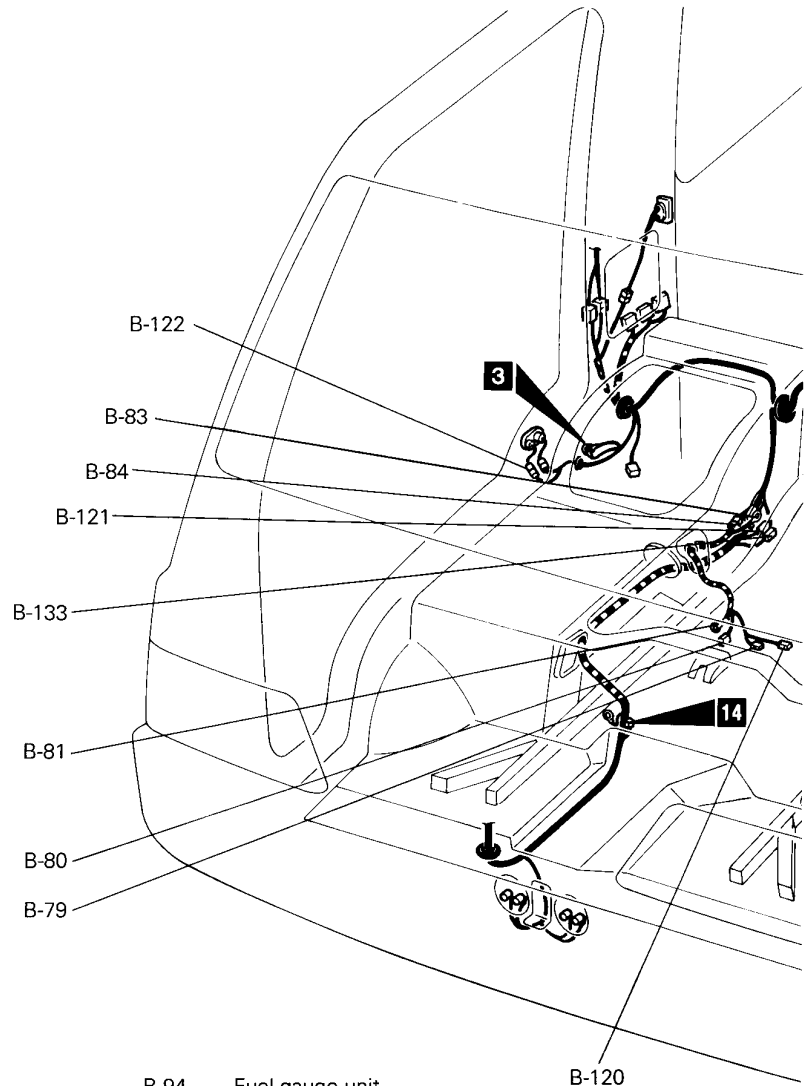
36G0227

- B-57 } Front wiring harness and fusible link box
- B-58 } combination
- B-59 Contact switch (Vehicles with central locking system)
- B-60 Headlamp washer motor
- B-61 —
- B-62 Fuel pump check connector
- B-63 Front wiring harness and fuel gauge wiring harness combination

- B-64 —
- B-65 Front door switch (L.H.)
- B-66 Front wiring harness and fusible link combination
- B-67 Fusible link and battery cable (+) combination
- B-68 Front wiring harness and battery cable (+) combination
- B-69 thru } —
- B-72 } —
- B-73 Starter
- B-74 —
- B-75 —

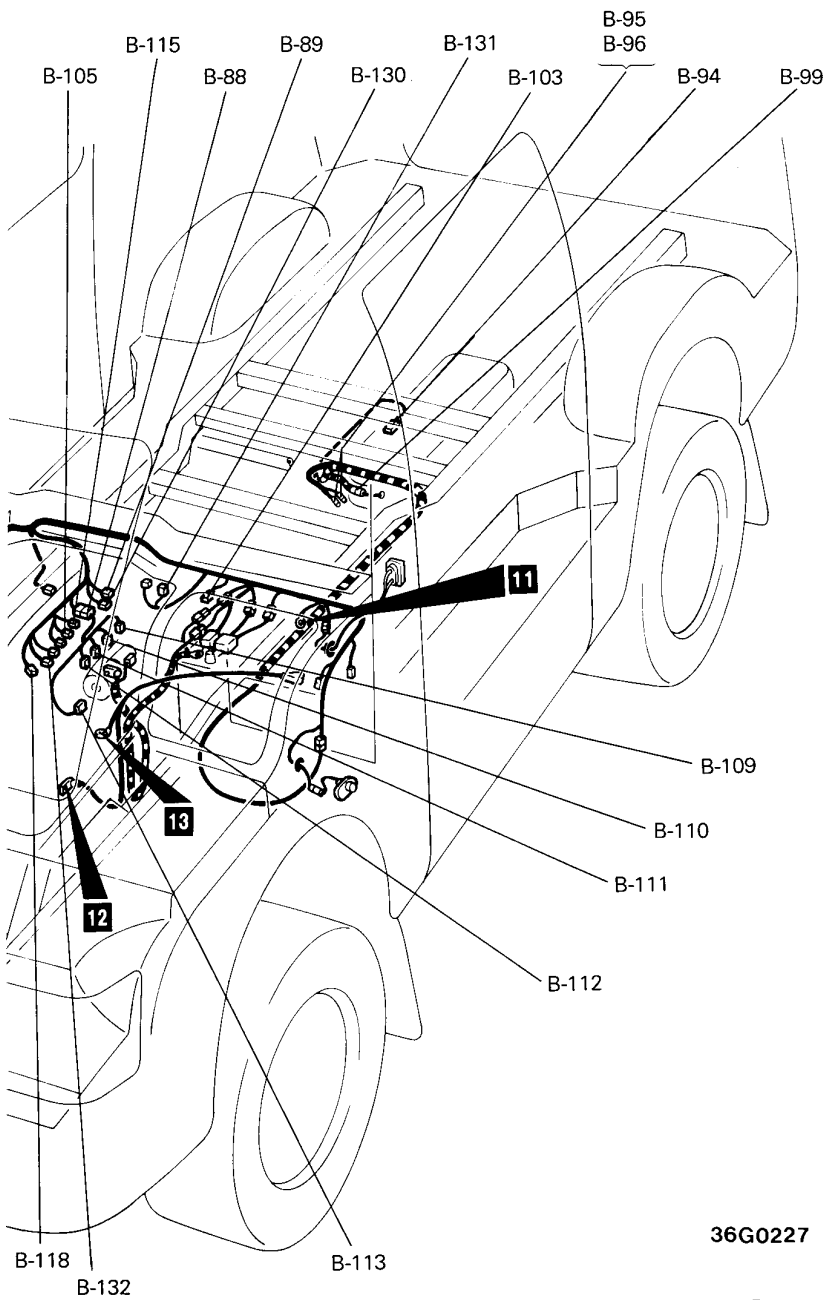
**Petrol-powered vehicles for Europe  
(R.H. drive 2WD vehicles with 4G63-MPI)**

Connector  
symbol  
**B** -76  
thru  
-133



- B-76 } —
- thru } —
- B-78 } —
- B-79 } Oil pressure switch
- B-80 } Alternator
- B-81 } —
- B-82 } —
- B-83 } Front wiring harness and engine wiring harness
- B-84 } combination
- B-85 } —
- thru } —
- B-87 } —
- B-88 } Front wiring harness and engine wiring harness
- } combination
- B-89 } Throttle position sensor
- B-90 } —
- thru } —
- B-93 } —

- B-94 } Fuel gauge unit
- B-95 } —
- B-96 } Back-up lamp switch
- B-97 } —
- B-98 } —
- B-99 } Fuel pump
- B-100 } —
- thru } —
- B-102 } —
- B-103 } Front wiring harness and fusible link combination
- B-104 } —
- B-105 } Power transistor
- B-106 } —
- thru } —
- B-108 } —



36G0227

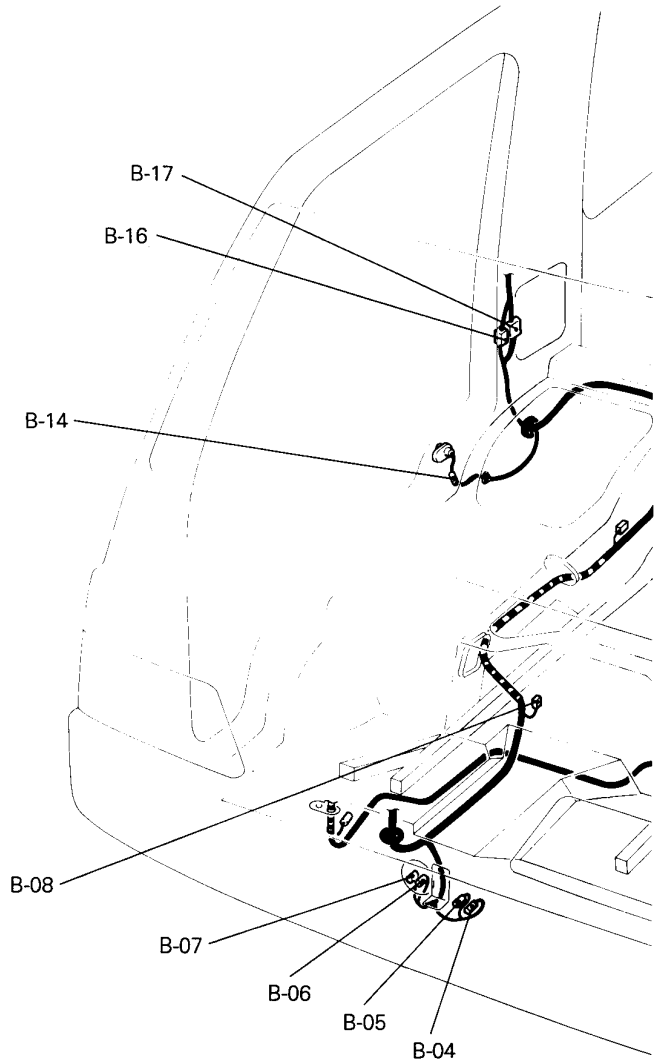
- B-109 Injector 1
- B-110 Injector 2
- B-111 Injector 3
- B-112 Injector 4
- B-113 Ignition coil
- B-114 —
- B-115 Engine coolant temperature sensor
- B-116 —
- B-117 —
- B-118 Distributor (Crank angle sensor and top dead centre sensor)

- B-119 —
- B-120 Engine oil level sensor
- B-121 Front wiring harness and engine wiring harness combination
- B-122 Front door switch (R.H.)
- B-123 } —
- B-129 } thru
- B-130 Idle speed control servo
- B-131 EGR solenoid valve
- B-132 Power steering oil pressure switch
- B-133 No connection

**Petrol-powered vehicles for General Export  
(L.H. drive 2WD vehicles with 4G92-Conventional carburettor)**

A configuration diagram exclusive for the '95 model has been set.

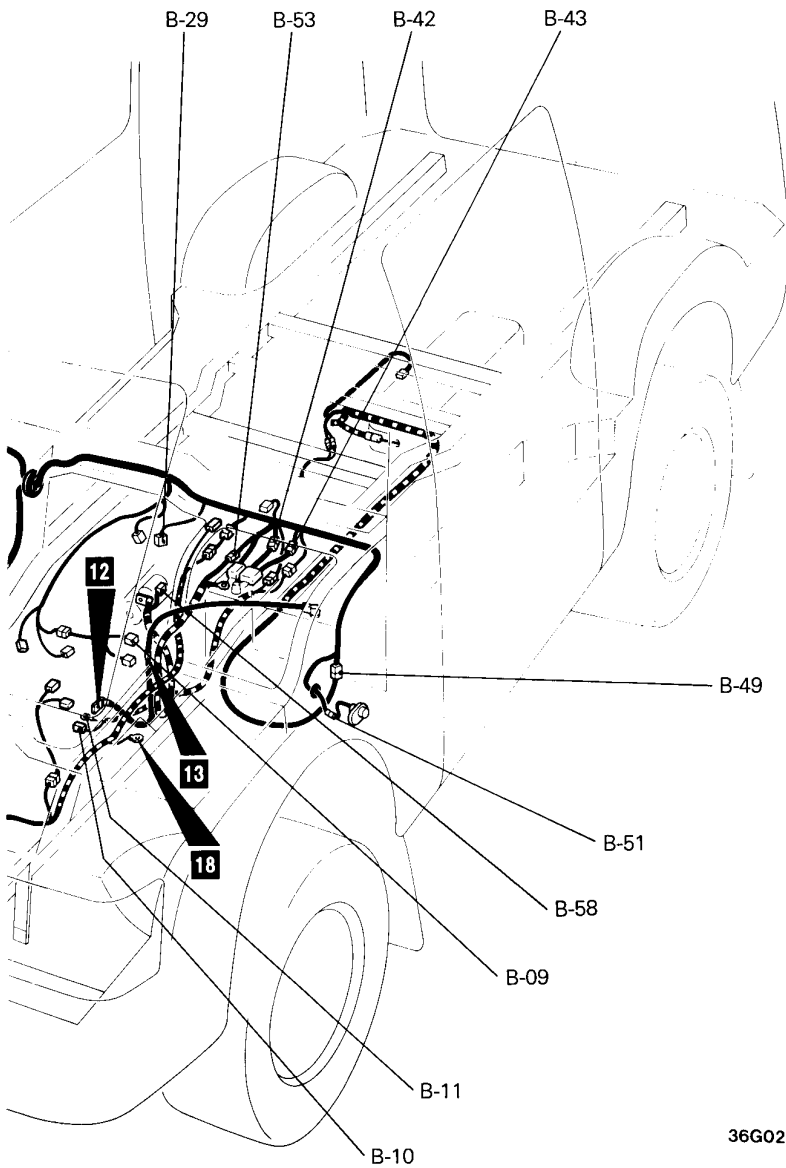
Connector symbol
<b>B</b> -01 thru -59



- B-01 thru B-03 } —
- B-04 } No connection
- B-05 } No connection
- B-06 } Horn
- B-07 } Horn
- B-08 } No connection
- B-09 } Oil pressure switch
- B-10 } Alternator
- B-11 } Alternator
- B-12 } —
- B-13 } —
- B-14 } Front door switch (R.H.)

- B-15 } —
- B-16 } Front wiring harness and roof wiring harness combination
- B-17 } Front wiring harness and roof wiring harness combination
- B-18 } —
- B-19 } —
- B-20 } —
- B-21 } —
- B-22 } —
- B-23 } —
- B-24 } —
- B-25 } —
- B-26 } —
- B-27 } —
- B-28 } —
- B-29 } Fuel cut solenoid valve
- B-30 } —
- B-31 } —
- B-32 } —
- B-33 } —
- B-34 } —
- B-35 } —
- B-36 } —
- B-37 } —
- B-38 } —
- B-39 } —
- B-40 } —
- B-41 } —



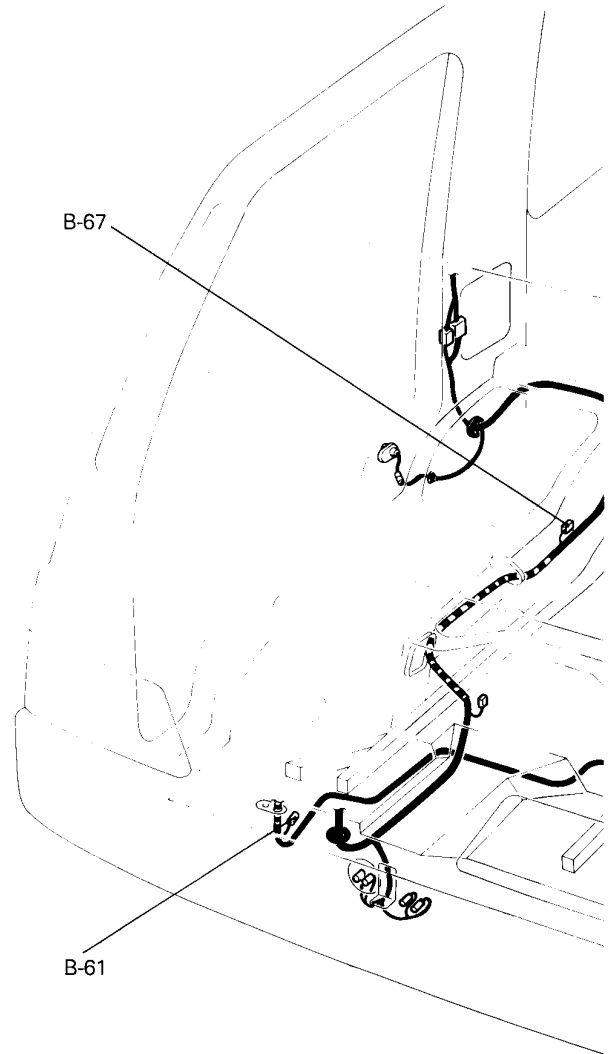


36G0233

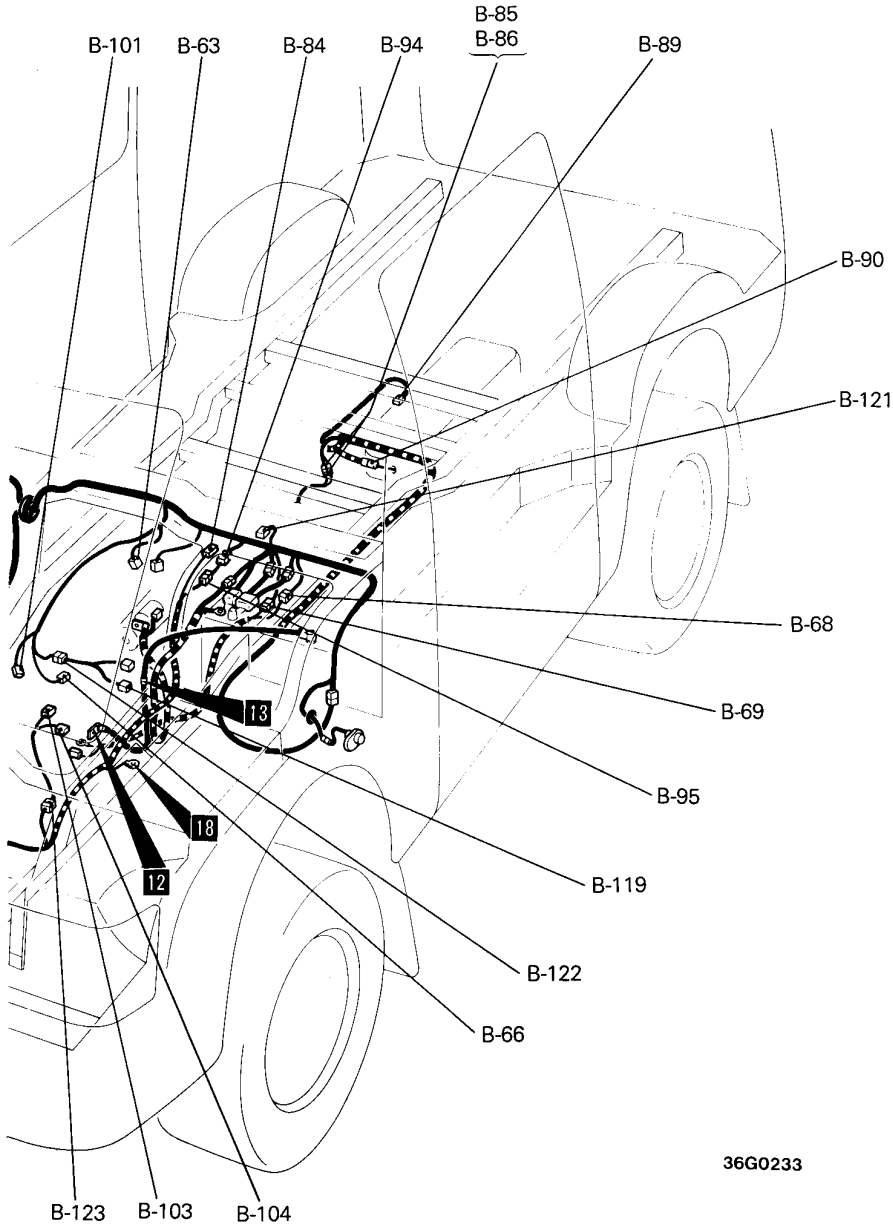
B-42	} Front wiring harness and fusible link combination	B-51	Front door switch (L.H.)
B-43		B-52	—
B-44	} —	B-53	Front wiring harness and battery cable (+) combination
thru B-48		B-54	} —
B-49	Front wiring harness and fuel gauge wiring harness combination	B-57	
B-50	—	B-58	Starter
		B-59	—

**Petrol-powered vehicles for General Export  
(L.H. drive 2WD vehicles with 4G92-Conventional carburettor)**

Connector  
symbol  
**B** -60  
thru  
-123



- |      |  |      |   |                       |
|------|--|------|---|-----------------------|
| B-60 | —  |      |   |                       |
| B-61 | Pressure switch (Dual) (Air conditioner)       |      |   |                       |
| B-62 | —  |      |   |                       |
| B-63 | Engine coolant temperature gauge unit          |      |   |                       |
| B-64 | —  |      |   |                       |
| B-65 | —  |      |   |                       |
| B-66 | Distributor                                    |      |   |                       |
| B-67 | No connection                                  |      |   |                       |
| B-68 | Front wiring harness and engine wiring harness |      |   |                       |
| B-69 | combination                                    |      |   |                       |
| B-70 | } —  |      |   |                       |
| thru |  |      |   |                       |
| B-83 |  |      |   |                       |
|      |  |      |   |                       |
|      |  | B-84 | Solenoid valve (Air conditioner)                  |                       |
|      |  | B-85 | } —   |                       |
|      |  | B-86 |   | } Back-up lamp switch |
|      |  | B-87 |   |                       |
|      |  | B-88 |   |                       |
|      |  | B-89 | Fuel gauge unit                                   |                       |
|      |  | B-90 | Fuel pump   |                       |
|      |  | B-91 | } —   |                       |
|      |  | thru |   |                       |
|      |  | B-93 |   |                       |
|      |  | B-94 | Front wiring harness and fusible link combination |                       |



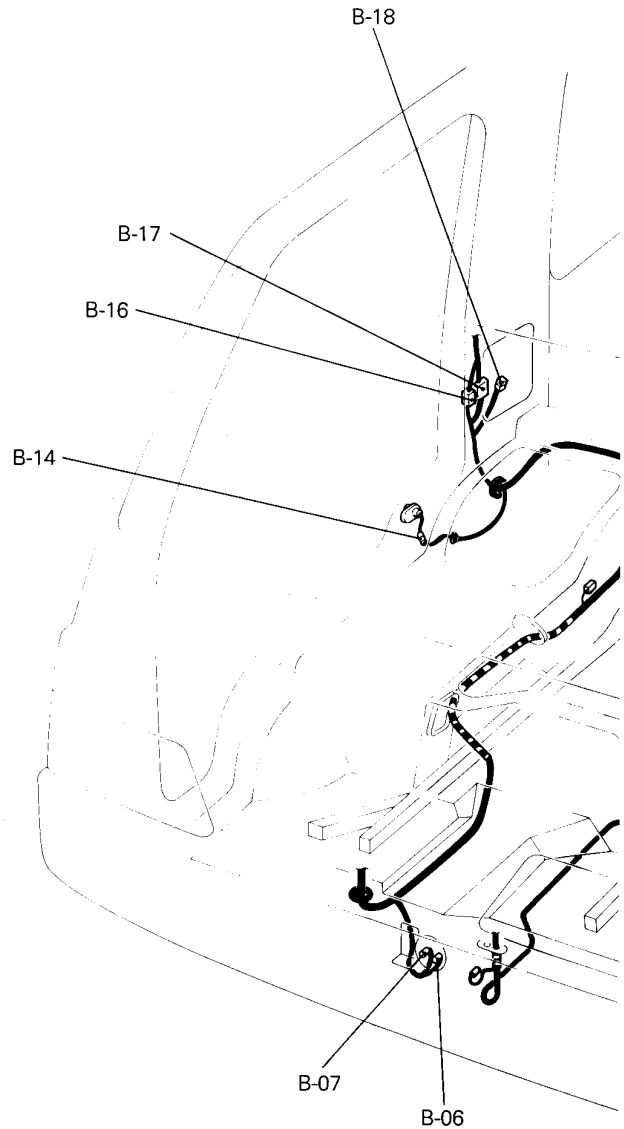
36G0233

- |                 |   |                  |  |
|-----------------|---|------------------|--|
| B-95            | Air conditioner wiring harness and fusible link combination | B-105 thru B-118 | —  |
| B-96 thru B-100 | —   | B-119            | Power steering oil pressure switch                           |
| B-101           | Ignition coil   | B-120            | —  |
| B-102           | —   | B-121            | Power steering idle up solenoid valve                        |
| B-103           | Engine coolant temperature switch <A/C>                     | B-122            | Front wiring harness and oil pressure harness combination    |
| B-104           | Magnet clutch (Air conditioner)                             | B-123            | Air conditioner wiring harness and joint harness combination |

**Petrol-powered vehicles for General Export  
(R.H. drive 2WD vehicles with 4G92-Conventional carburettor)**

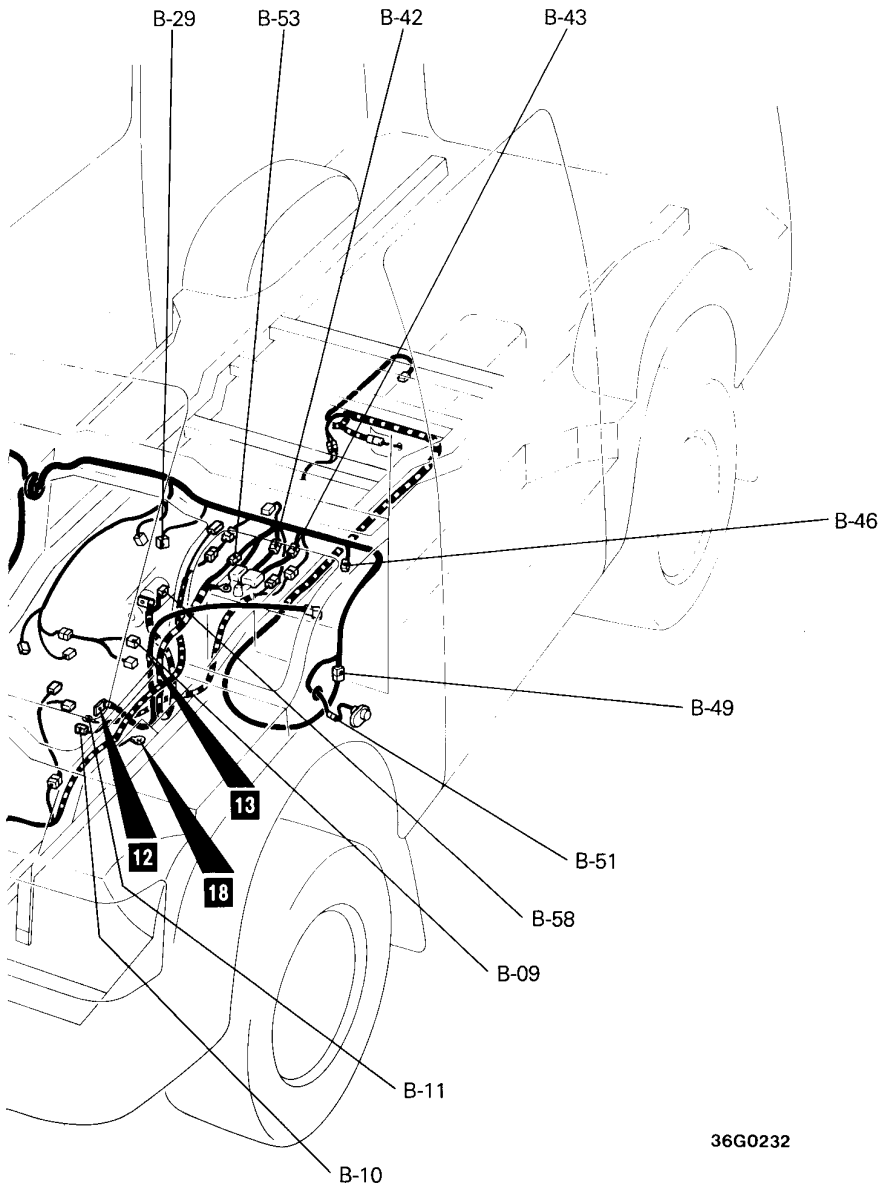
A configuration diagram exclusive for the '95 model has been set.

Connector symbol	
<b>B</b>	-01 thru -59



- B-01 } —
- thru } —
- B-05 } —
- B-06 } Horn
- B-07 } —
- B-08 } —
- B-09 } Oil pressure switch
- B-10 } —
- B-11 } Alternator
- B-12 } —
- B-13 } —
- B-14 } Front door switch (R.H.)

- B-15 } —
- B-16 } Front wiring harness and roof wiring harness
- B-17 } combination
- B-18 } No connection
- B-19 } —
- thru } —
- B-28 } —
- B-29 } Fuel cut solenoid valve
- B-30 } —
- thru } —
- B-41 } —

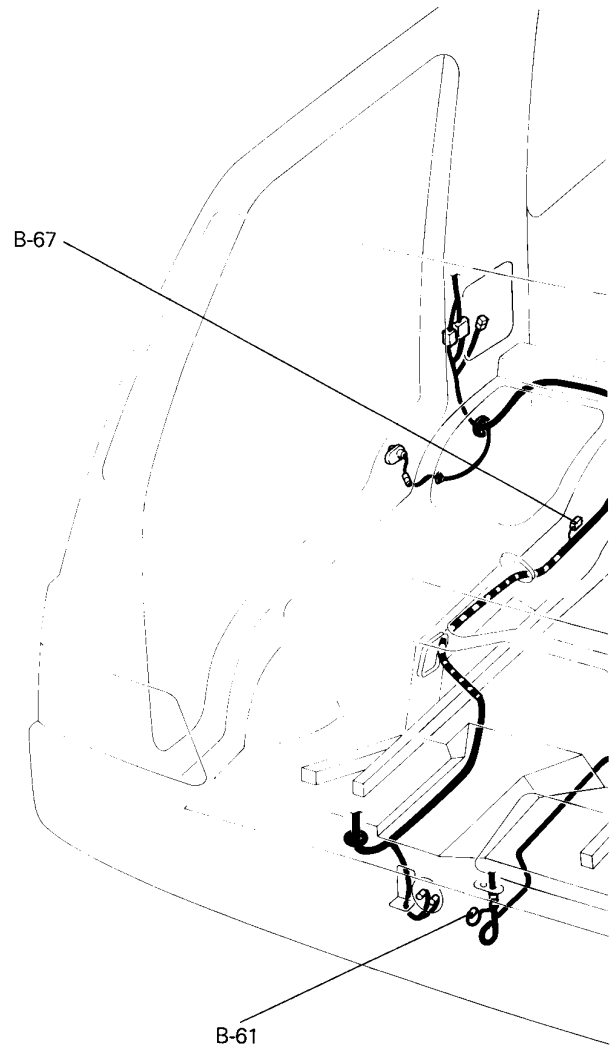


36G0232

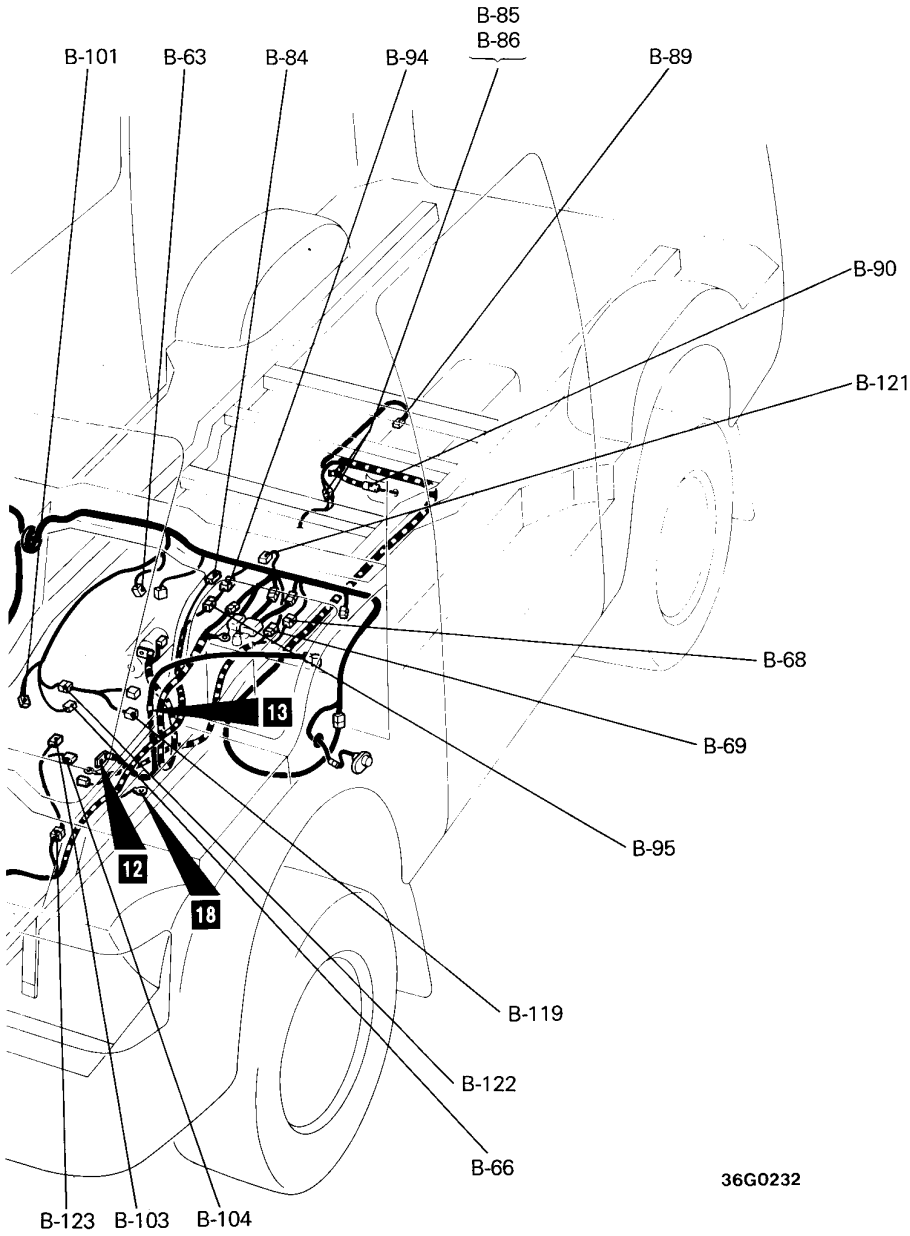
B-42	} Front wiring harness and fusible link combination	B-51	Front door switch (L.H.)
B-43		B-52	—
B-44	—	B-53	Front wiring harness and battery cable (+) combination
B-45	—	B-54	} —
B-46	No connection	B-57	
B-47	—	B-58	
B-48	—	B-59	—
B-49	Front wiring harness and fuel gauge wiring harness combination		
B-50	—		

**Petrol-powered vehicles for General Export**  
**(R.H. drive 2WD vehicles with 4G92-Conventional carburettor)**

Connector  
symbol  
**B** -60  
 thru  
 -123



- |      |  |      |   |
|------|--|------|---|
| B-60 | ---  |      |   |
| B-61 | Pressure switch (Dual) (Air conditioner)                     |      |   |
| B-62 | ---  |      |   |
| B-63 | Engine coolant temperature gauge unit                        |      |   |
| B-64 | ---  |      |   |
| B-65 | ---  |      |   |
| B-66 | Distributor  |      |   |
| B-67 | No connection  |      |   |
| B-68 | } Front wiring harness and engine wiring harness combination |      |   |
| B-69 |  |      |   |
| B-70 | } ---  |      |   |
| thru |  |      |   |
| B-83 |  |      |   |
|      |  | B-84 | Solenoid valve (Air conditioner)                  |
|      |  | B-85 | } Back-up lamp switch                             |
|      |  | B-86 |   |
|      |  | B-87 | } ---   |
|      |  | B-88 |   |
|      |  | B-89 | Fuel gauge unit                                   |
|      |  | B-90 | Fuel pump   |
|      |  | B-91 | } ---   |
|      |  | thru |   |
|      |  | B-93 |   |
|      |  | B-94 | Front wiring harness and fusible link combination |



36G0232

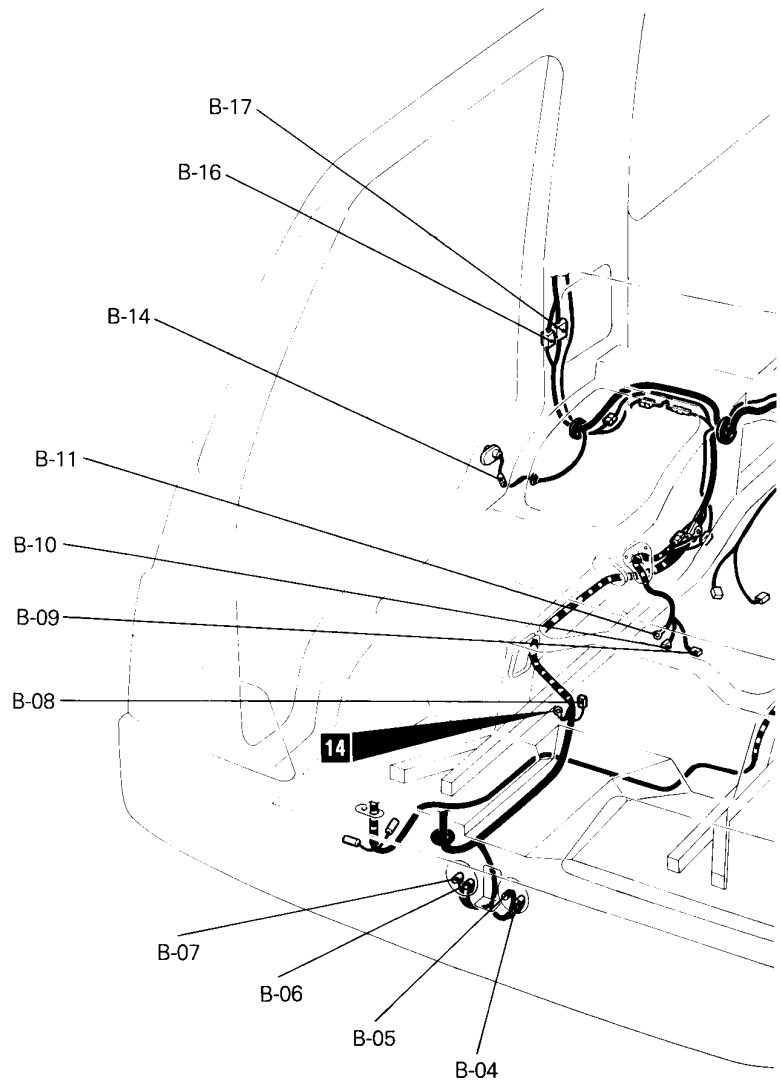
- B-95 Air conditioner wiring harness and fusible link combination
- B-96 thru B-100 } —
- B-101 Ignition coil
- B-102 —
- B-103 Engine coolant temperature switch <A/C>
- B-104 Magnet clutch (Air conditioner)

- B-105 thru B-118 } —
- B-119 Power steering oil pressure switch
- B-120 —
- B-121 Power steering idle up solenoid valve
- B-122 Front wiring harness and oil pressure harness combination
- B-123 Air conditioner wiring harness and joint harness combination

**Petrol-powered vehicles for General Export and GCC**  
**<L.H. drive 2WD vehicles with 4G63-Conventional carburettor>**

A configuration diagram exclusive for the '95 model has been set.

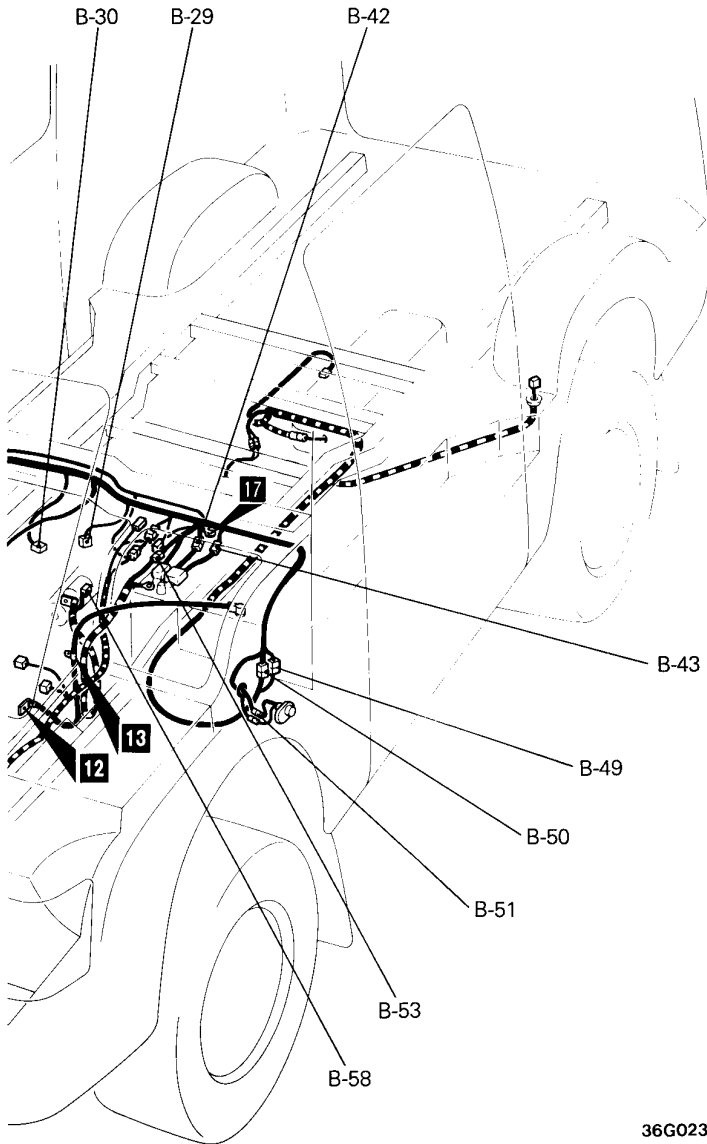
Connector symbol
<b>B</b> -01 thru -59



- B-01 thru B-03 } —
- B-04 } Horn <Vehicles for GCC>
- B-05 } —
- B-06 } Horn
- B-07 } —
- B-08 } No connection
- B-09 } Oil pressure switch
- B-10 } Alternator
- B-11 } —

- B-12 } —
- B-13 } —
- B-14 } Front door switch (R.H.)
- B-15 } —
- B-16 } Front wiring harness and roof wiring harness combination
- B-17 } —
- B-18 thru B-28 } —
- B-29 } Fuel cut solenoid valve



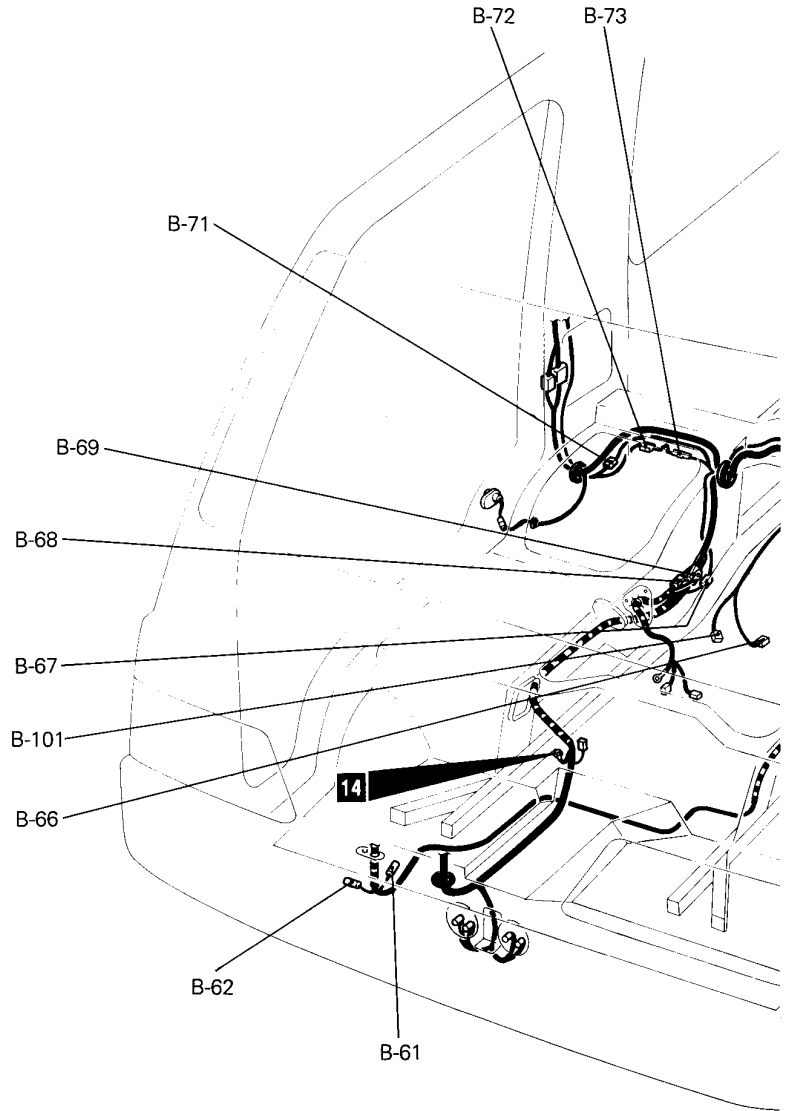


36G0235

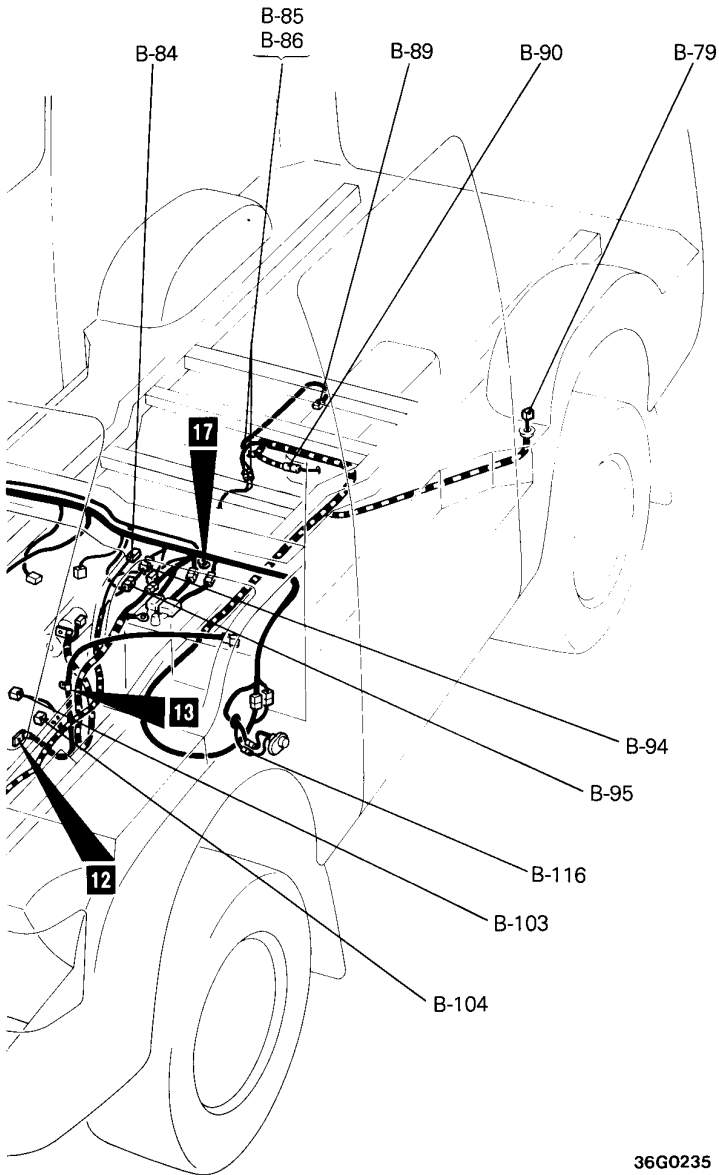
B-30	Engine coolant temperature gauge unit	B-49	Front wiring harness and fuel gauge wiring harness combination
B-31	}	B-50	Front wiring harness and fuel gauge wiring harness combination <Vehicles for General Export>
thru		B-51	Front door switch (L.H.)
B-41	}	B-52	—
B-42		B-53	Front wiring harness and battery cable (+) combination
B-43		B-54	}
B-44		thru	
thru	B-57	}	
B-48	B-58		Starter
		B-59	—

**Petrol-powered vehicles for General Export and GCC  
(L.H. drive 2WD vehicles with 4G63-Conventional carburettor)**

Connector symbol  
**B** -60 thru -116



- |      |   |   |  |
|------|---|---|--|
| B-60 | —   |   |  |
| B-61 | Pressure switch (Dual) (Air conditioner)                            |   |  |
| B-62 | Condenser fan motor (Air conditioner)                               |   |  |
| B-63 | }   | — |  |
| thru |   |   |  |
| B-65 |   |   |  |
| B-66 | Distributor   |   | B-74   |
| B-67 | Front wiring harness and air conditioner wiring harness combination |   | thru   |
| B-68 | }   | } | —  |
| B-69 |   |   | Front wiring harness and engine wiring harness combination                             |
| B-70 | —   |   | B-79   |
| B-71 | }   | } | Rear heater blower motor   |
| B-72 |   |   | Overhead air conditioner wiring harness and air-conditioner wiring harness combination |
| B-73 | Dedicated fuse (Air conditioner)                                    |   | thru   |
|      |   |   | —  |
|      |   |   | B-83   |
|      |   |   | B-84   |
|      |   |   | Solenoid valve (Air conditioner)   |
|      |   |   | B-85   |
|      |   |   | Back-up lamp switch  |
|      |   |   | B-86   |



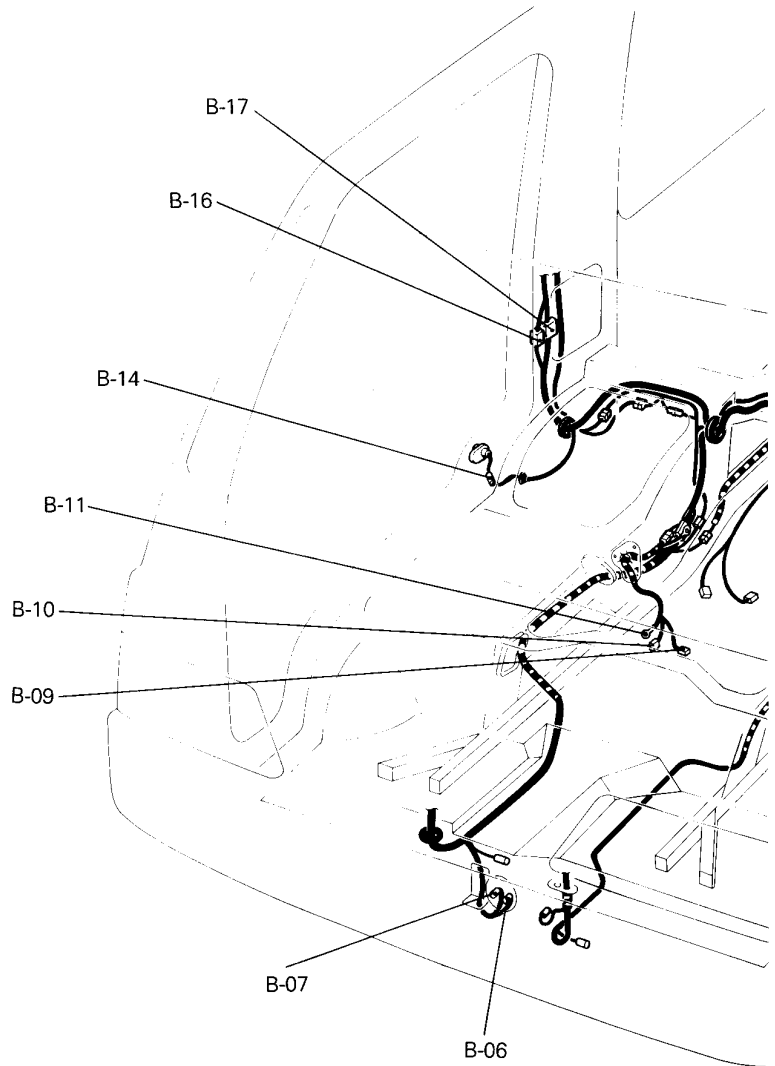
36G0235

- |      |   |       |   |
|------|---|-------|---|
| B-87 | —   | B-96  | } —   |
| B-88 | —   | thru  |   |
| B-89 | Fuel gauge unit   | B-100 | } —   |
| B-90 | Fuel pump   | B-101 |   |
| B-91 | } —   | B-102 | —   |
| thru |   | B-103 | Engine coolant temperature switch <A/C>     |
| B-93 |   | B-104 | Magnet clutch (Air conditioner)             |
| B-94 | Front wiring harness and fusible link combination           | B-105 | } —   |
| B-95 | Air conditioner wiring harness and fusible link combination | thru  |   |
|      |   | B-115 | } —   |
|      |   | B-116 |   |
|      |   |       | Front door switch (L.H.) <Vehicles for GCC> |

**Petrol-powered vehicles for General Export  
 (R.H. drive 2WD vehicles with 4G63-Conventional carburettor)**

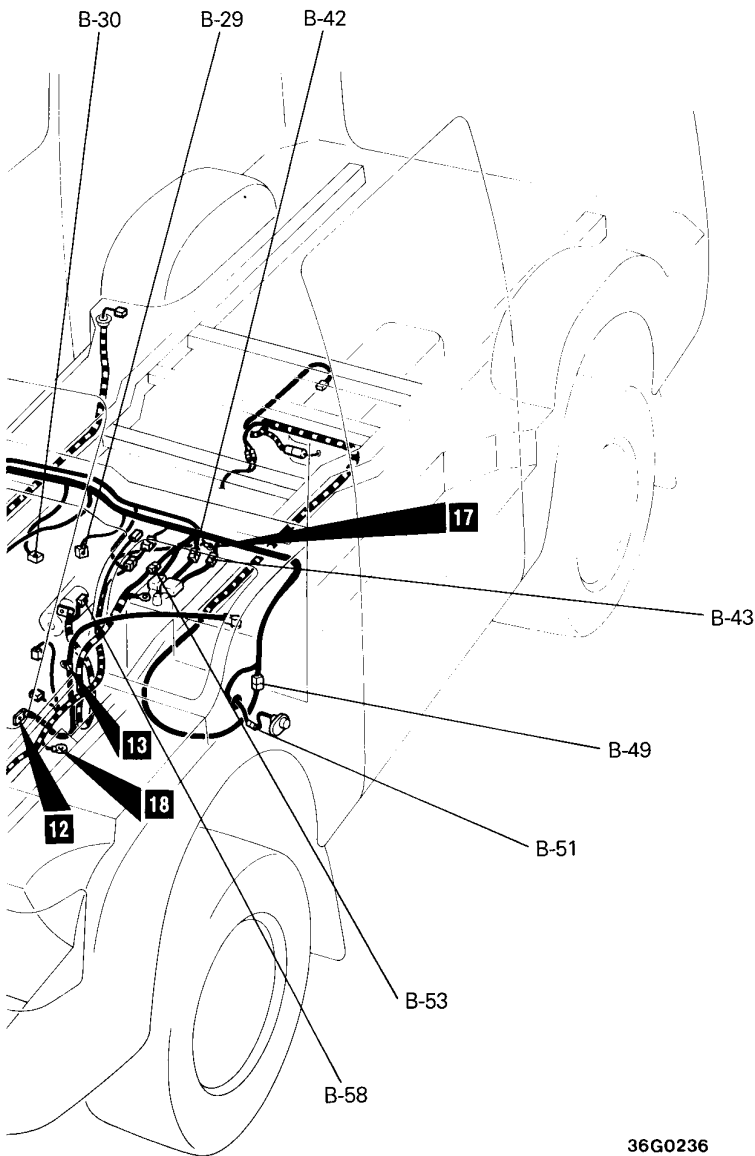
A configuration diagram exclusive for the '95 model has been set.

Connector symbol
<b>B</b> -01 thru -59



- B-01 thru B-05 } —
- B-06 } Horn
- B-07 } —
- B-08 } —
- B-09 } Oil pressure switch
- B-10 thru B-11 } Alternator
- B-12 } —
- B-13 } —

- B-14 } Front door switch (R.H.)
- B-15 } —
- B-16 thru B-17 } Front wiring harness and roof wiring harness combination
- B-18 thru B-28 } —
- B-29 } Fuel cut solenoid valve



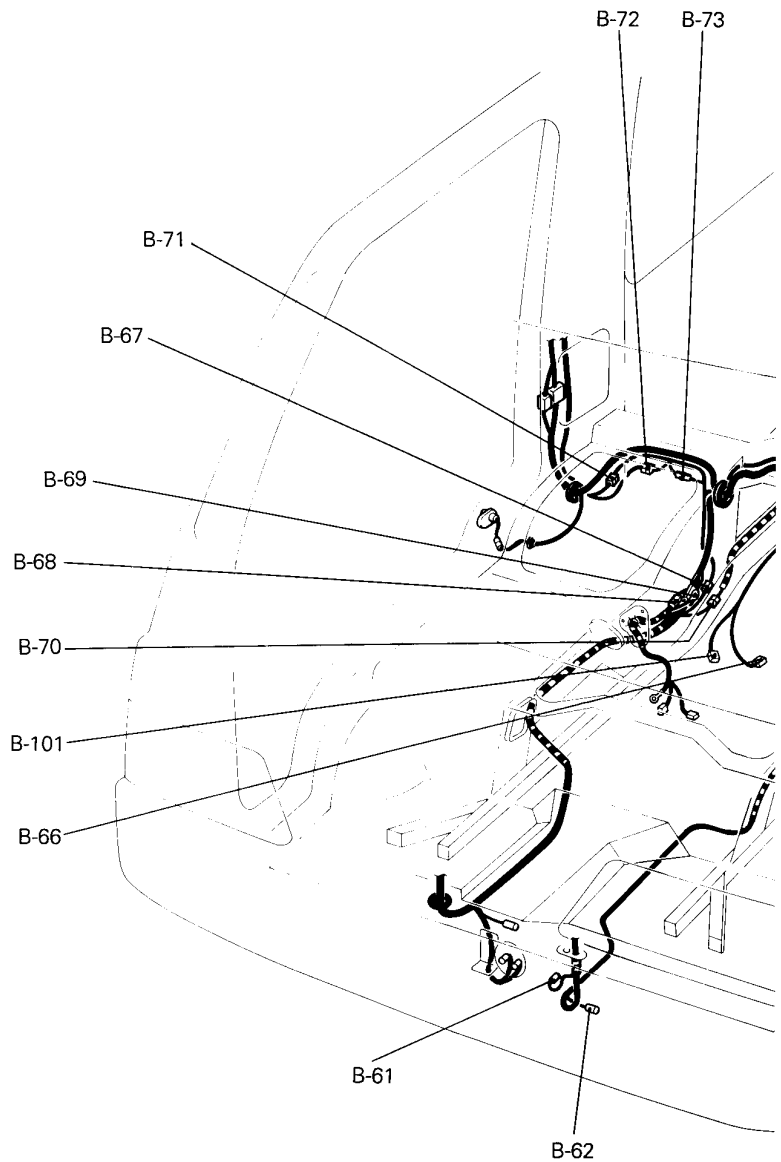
36G0236

B-30 Engine coolant temperature gauge unit  
 B-31 }  
 thru } —  
 B-41 }  
 B-42 } Front wiring harness and fusible link combination  
 B-43 }  
 B-44 }  
 thru } —  
 B-48 }

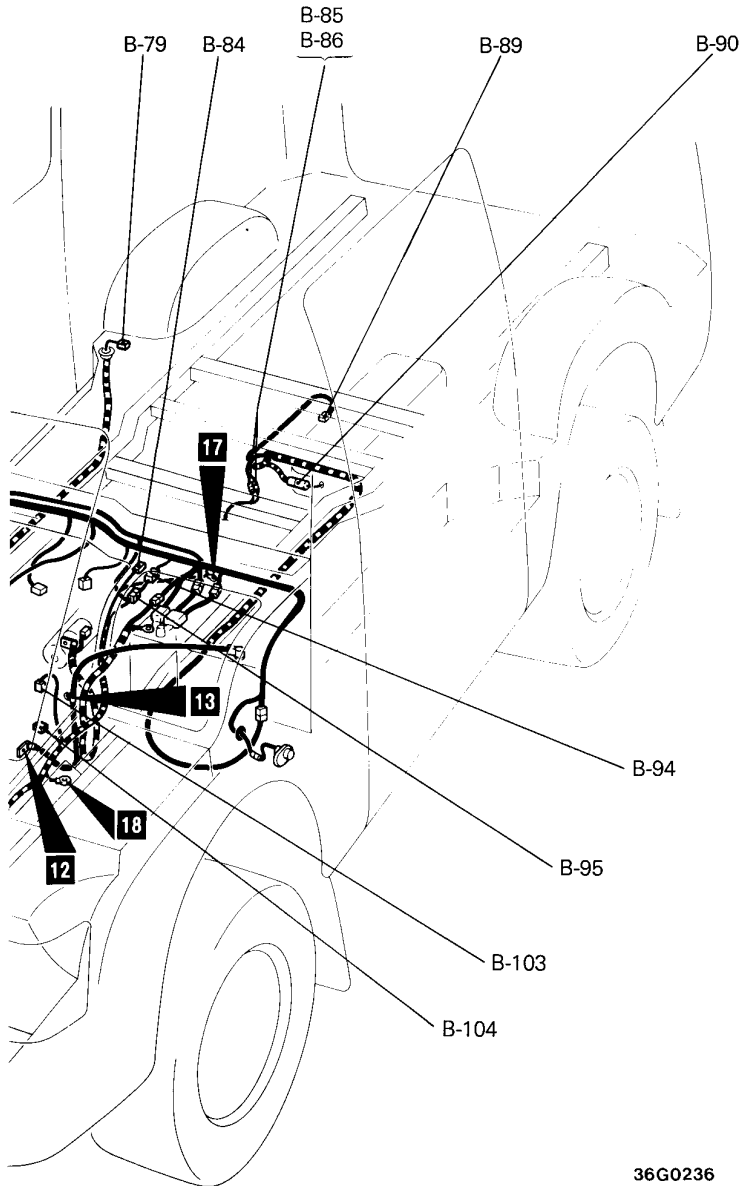
B-49 Front wiring harness and fuel gauge wiring harness combination  
 B-50 —  
 B-51 Front door switch (L.H.)  
 B-52 —  
 B-53 Front wiring harness and battery cable (+) combination  
 B-54 }  
 thru } —  
 B-57 }  
 B-58 Starter  
 B-59 —

**Petrol-powered vehicles for General Export**  
**(R.H. drive 2WD vehicles with 4G63-Conventional carburettor)**

Connector symbol  
**B** -60 thru -104



- |      |   |      |  |                          |
|------|---|------|--|--------------------------|
| B-60 | —   |      |  |                          |
| B-61 | Pressure switch (Dual) (Air conditioner)                            |      |  |                          |
| B-62 | Condenser fan motor (Air conditioner)                               |      |  |                          |
| B-63 | }   | —    |  |                          |
| thru |   |      |  |                          |
| B-65 |   |      |  |                          |
| B-66 | Distributor   | B-74 | }  |                          |
| B-67 | Front wiring harness and air conditioner wiring harness combination | thru |  | —                        |
|      |   | B-78 |  |                          |
| B-68 | }   | }    | B-79   | Rear heater blower motor |
| B-69 |   |      | Front wiring harness and engine wiring harness combination                             | B-80                     |
| B-70 | Front wiring harness and rear heater wiring harness combination     | thru | }  | —                        |
|      |   | B-83 |  |                          |
| B-71 | }   | }    |  | B-84                     |
| B-72 |   |      | Overhead air conditioner wiring harness and air-conditioner wiring harness combination | B-85                     |
| B-73 | Dedicated fuse (Air conditioner)                                    | B-86 | Back-up lamp switch  |                          |



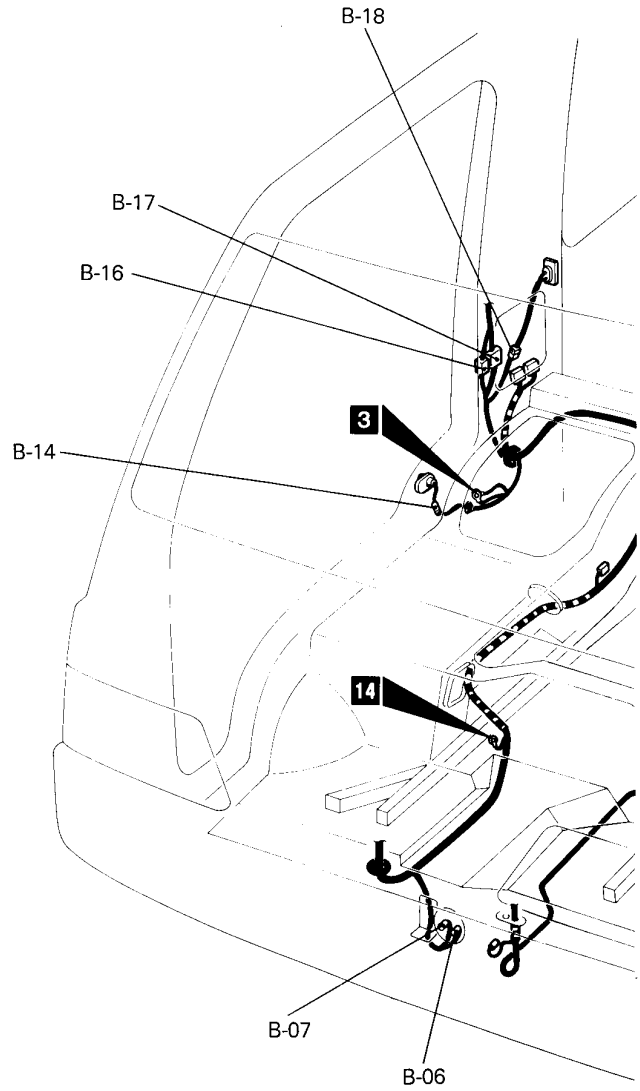
36G0236

- |      |   |       |   |
|------|---|-------|---|
| B-87 | —   |       |   |
| B-88 | —   |       |   |
| B-89 | Fuel gauge unit   |       |   |
| B-90 | Fuel pump   |       |   |
| B-91 | } —   | B-96  | } —                                     |
| thru |   | B-100 |   |
| B-93 |   |       |   |
| B-94 | Front wiring harness and fusible link combination           | B-101 | Ignition coil                           |
| B-95 | Air conditioner wiring harness and fusible link combination | B-102 | —                                       |
|      |   | B-103 | Engine coolant temperature switch <A/C> |
|      |   | B-104 | Magnet clutch (Air conditioner)         |

**Petrol-powered vehicles for General Export  
(R.H. drive 2WD vehicles with 4G92-Feedback carburettor)**

A configuration diagram exclusive for the '95 model has been set.

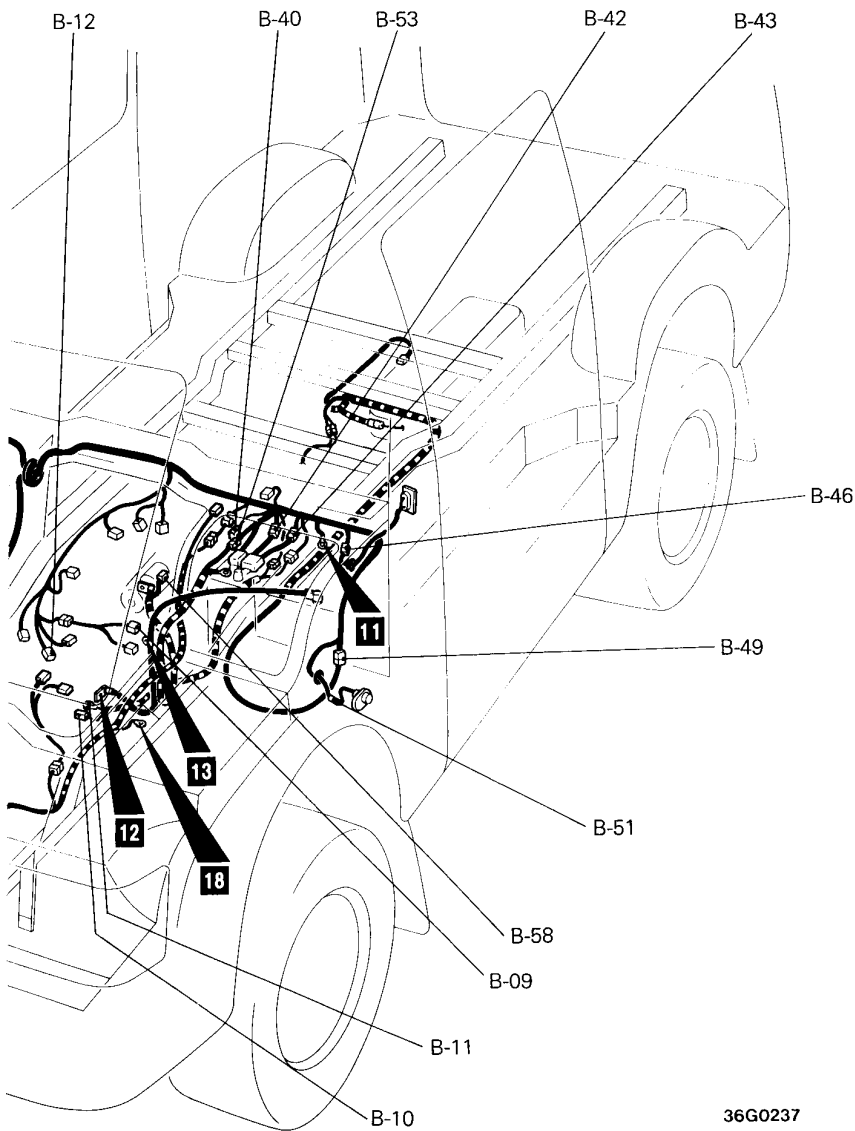
Connector symbol  
**B** -01 thru -59



- B-01 } —
- thru } —
- B-05 } —
- B-06 } Horn
- B-07 } —
- B-08 } —
- B-09 } Oil pressure switch
- B-10 } Alternator
- B-11 } —
- B-12 } Oxygen sensor
- B-13 } —
- B-14 } Front door switch (R.H.)

- B-15 } —
- B-16 } Front wiring harness and roof wiring harness
- B-17 } combination
- B-18 } Contact switch (Vehicles with a central locking system)
- B-19 } —
- B-20 } FBC control unit
- B-21 } —
- B-22 } —
- thru } —
- B-39 } —
- B-40 } Vacuum switch



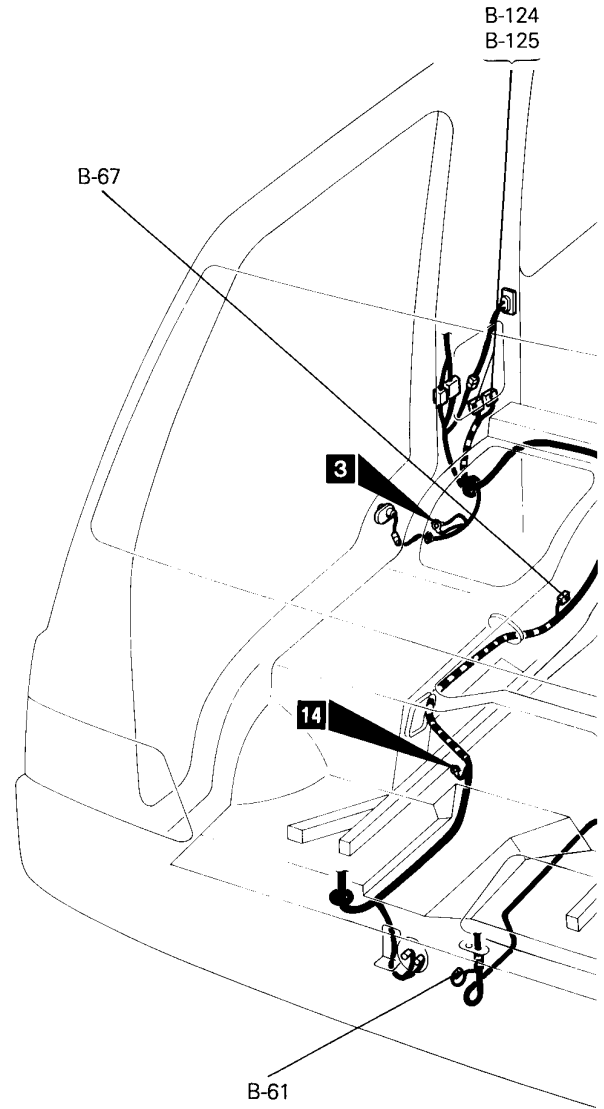


36G0237

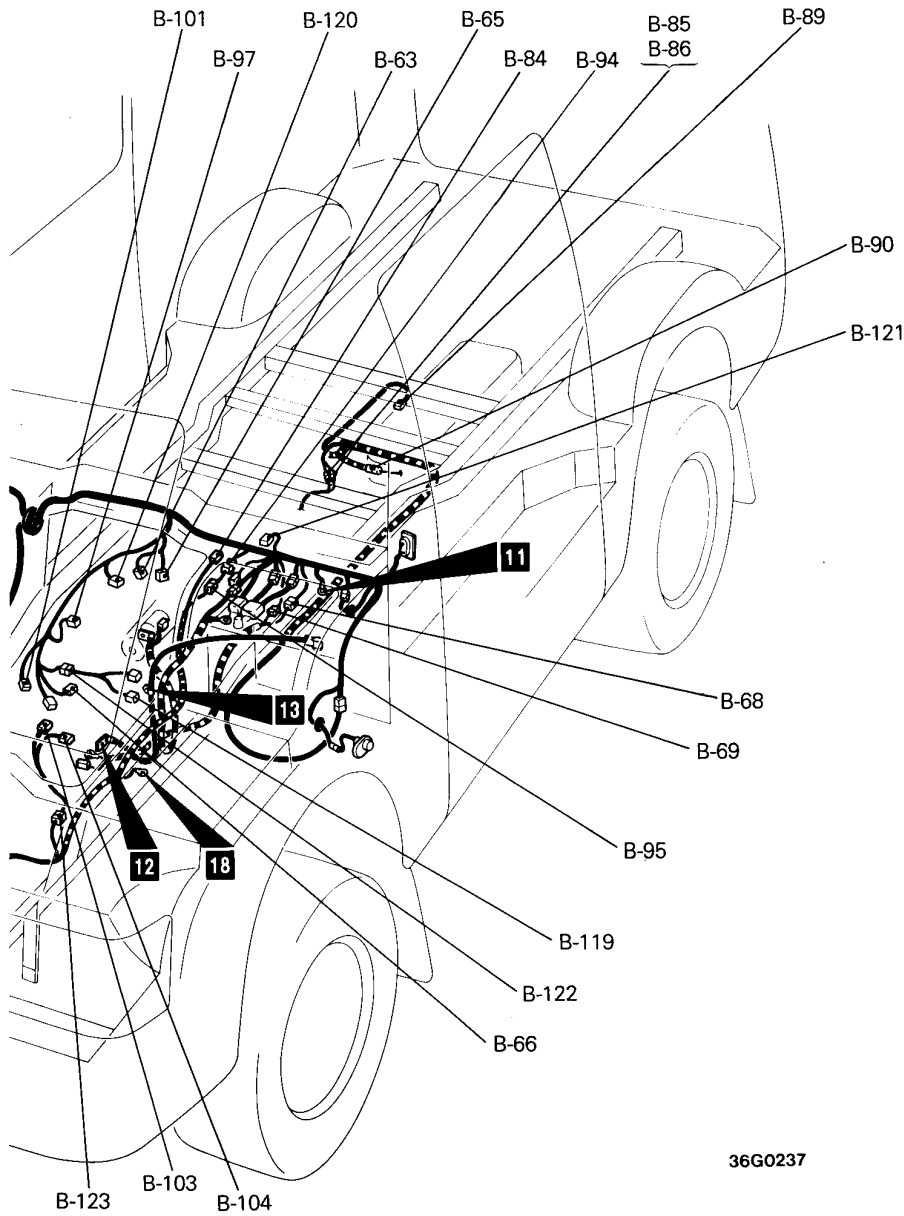
B-41	—		
B-42	} Front wiring harness and fusible link combination		
B-43			
B-44		—	
B-45	—		
B-46	Contact switch (Vehicles with a central locking system)	B-51	Front door switch (L.H.)
B-47	—	B-52	—
B-48	—	B-53	Front wiring harness and battery cable (+) combination
B-49	Front wiring harness and fuel gauge wiring harness combination	B-54	} —
B-50	—	B-57	
		B-58	
		B-59	—

**Petrol-powered vehicles for General Export**  
**(R.H. drive 2WD vehicles with 4G92-Feedback carburettor)**

Connector  
symbol  
**B** -60  
thru  
-125



- |   |  |                            |   |
|---|--|----------------------------|---|
| B-60  | —  | B-84                       | Solenoid valve (Air conditioner)                  |
| B-61  | Pressure switch (Dual) (Air conditioner) | B-85 } Back-up lamp switch |   |
| B-62  | —  | B-86 }                     |   |
| B-63  | Engine coolant temperature gauge unit    | B-87 }                     |   |
| B-64  | —  | B-88 }                     |   |
| B-65  | Engine coolant temperature sensor        | B-89                       | Fuel gauge unit                                   |
| B-66  | Distributor                              | B-90                       | Fuel pump   |
| B-67  | No connection                            | B-91                       | —   |
| B-68 } Front wiring harness and engine wiring harness |  | thru }                     |   |
| B-69 } combination                                    |  | B-93 }                     |   |
| B-70 } —  |  | B-94                       | Front wiring harness and fusible link combination |
| thru }  |  |                            |   |
| B-83 }  |  |                            |   |



36G0237

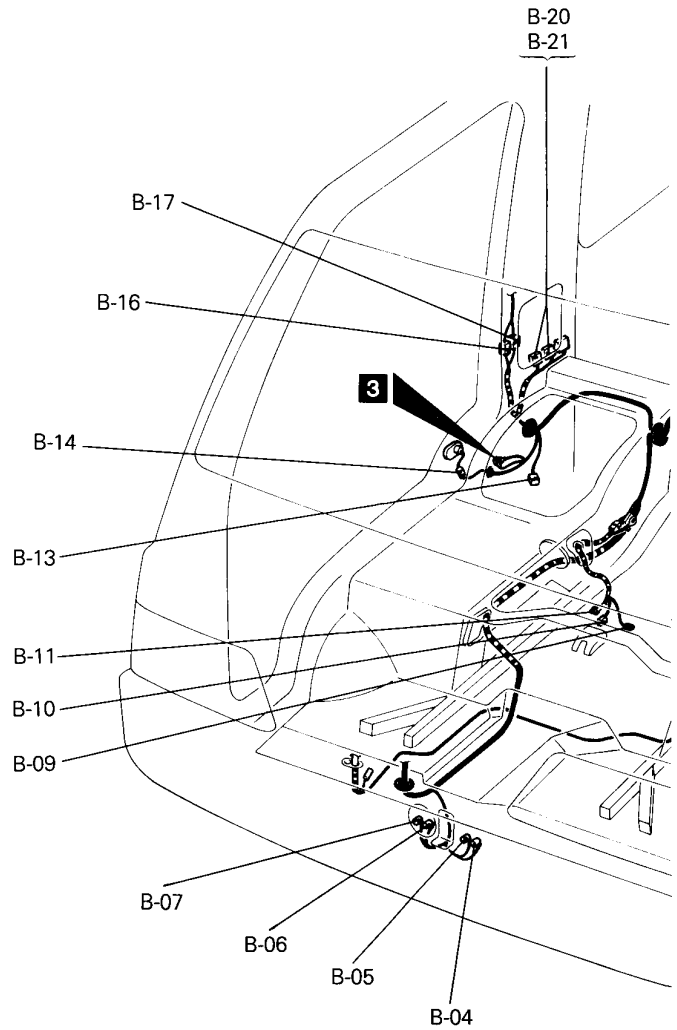
- B-95 Air conditioner wiring harness and fusible link combination
- B-96 —
- B-97 Throttle position sensor
- B-98 } —
- thru
- B-100 }
- B-101 Ignition coil
- B-102 —
- B-103 Engine coolant temperature switch <A/C>
- B-104 Magnet clutch (Air conditioner)

- B-105 } —
- thru
- B-118 }
- B-119 Power steering oil pressure switch
- B-120 Solenoid valve assembly
- B-121 Power steering idle up solenoid valve
- B-122 Front wiring harness and oil pressure harness combination
- B-123 Air conditioner wiring harness and joint harness combination
- B-124 } FBC control unit
- B-125 }

**Petrol-powered vehicles for General Export  
(L.H. drive 2WD vehicles with 4G63-MPI)**

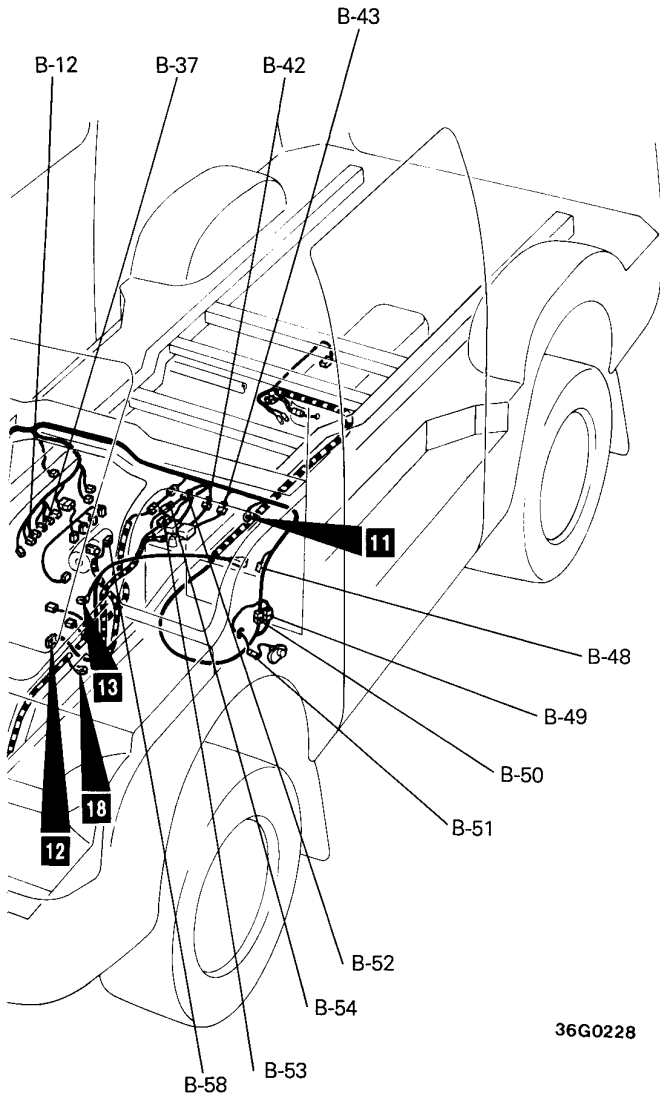
A configuration diagram exclusive for the '95 model has been set.

Connector symbol	
<b>B</b>	-01
	thru
	-59



- B-01 } —
- thru } —
- B-03 } —
- B-04 } No connection
- B-05 } —
- B-06 } Horn
- B-07 } —
- B-08 } Tachometer filter
- B-09 } Oil pressure switch
- B-10 } —
- B-11 } Alternator
- B-12 } Oxygen sensor
- B-13 } Air flow sensor
- B-14 } Front door switch (R.H.)
- B-15 } —
- B-16 } Front wiring harness and roof wiring harness
- B-17 } combination
- B-18 } —
- B-19 } —

- B-20 } MPI control unit
- B-21 } —
- B-22 } —
- B-36 } —
- B-37 } Ignition timing adjustment connector
- B-38 } —
- thru } —
- B-41 } —

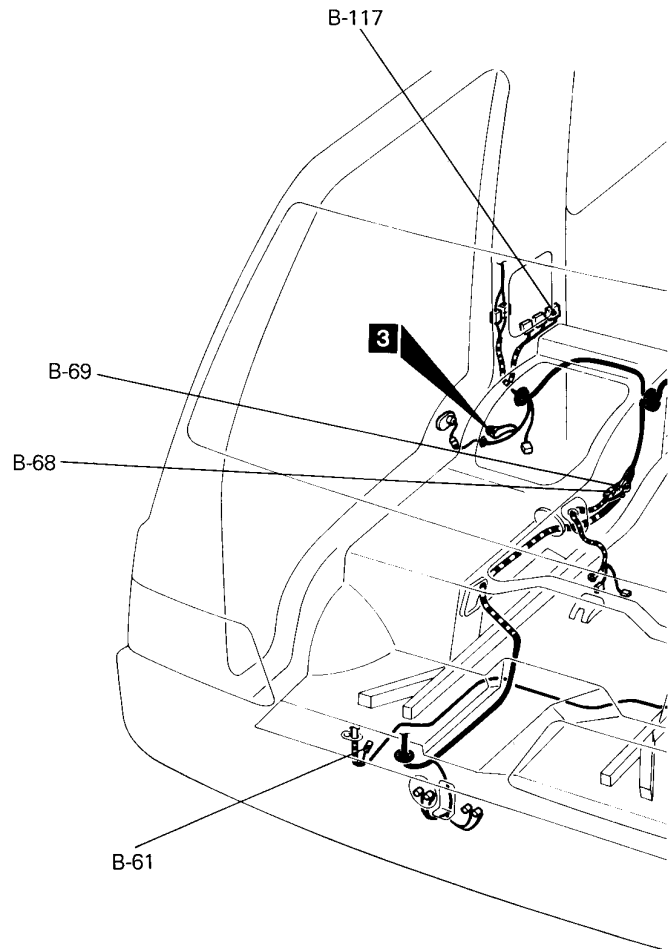


36G0228

B-42	} Front wiring harness and fusible link combination	B-52	Front wiring harness and fusible link combination	
B-43		B-53	Front wiring harness and battery cable (+) combination	
B-44	} —	B-54	Fusible link and battery cable (+) combination	
B-47		B-55	} —	
B-48	Fuel pump checker	B-57		} —
B-49	} Front wiring harness and fuel gauge wiring harness combination	B-58	Starter	
B-50		B-51	Front door switch (L.H.)	B-59

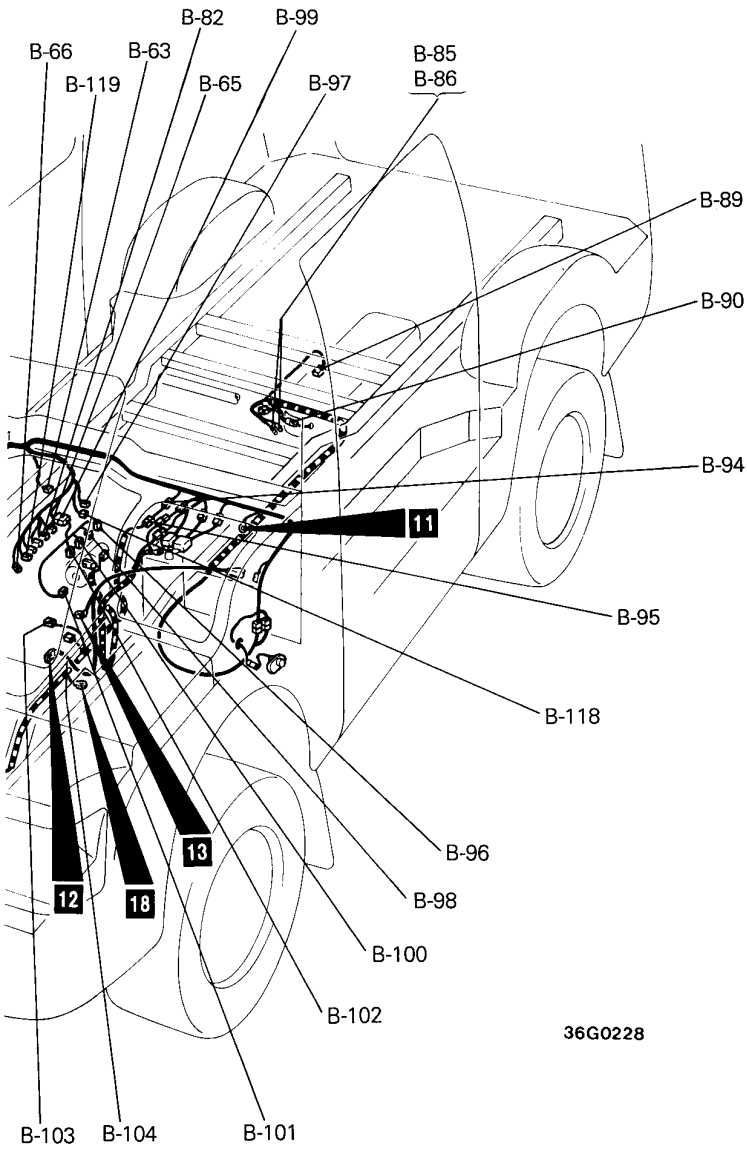
**Petrol-powered vehicles for General Export  
(L.H. drive 2WD vehicles with 4G63-MPI)**

Connector  
symbol  
**B** -60  
thru  
-119



- B-60 —
- B-61 Pressure switch (Dual) (Air conditioner)
- B-62 —
- B-63 Engine coolant temperature gauge unit
- B-64 —
- B-65 Engine coolant temperature sensor
- B-66 Distributor (Crank angle sensor and top dead center sensor)
- B-67 —
- B-68 } Front wiring harness and engine wiring harness
- B-69 } combination
- B-70 } —
- thru } —
- B-81 } —
- B-82 } Power transistor
- B-83 } —
- B-84 } —
- B-85 } Back-up lamp switch
- B-86 } —

- B-87 —
- B-88 —
- B-89 Fuel gauge unit
- B-90 Fuel pump
- B-91 } —
- thru } —
- B-93 } —
- B-94 } Front wiring harness and fusible link combination
- B-95 } Air conditioner wiring harness and fusible link combination



36G0228

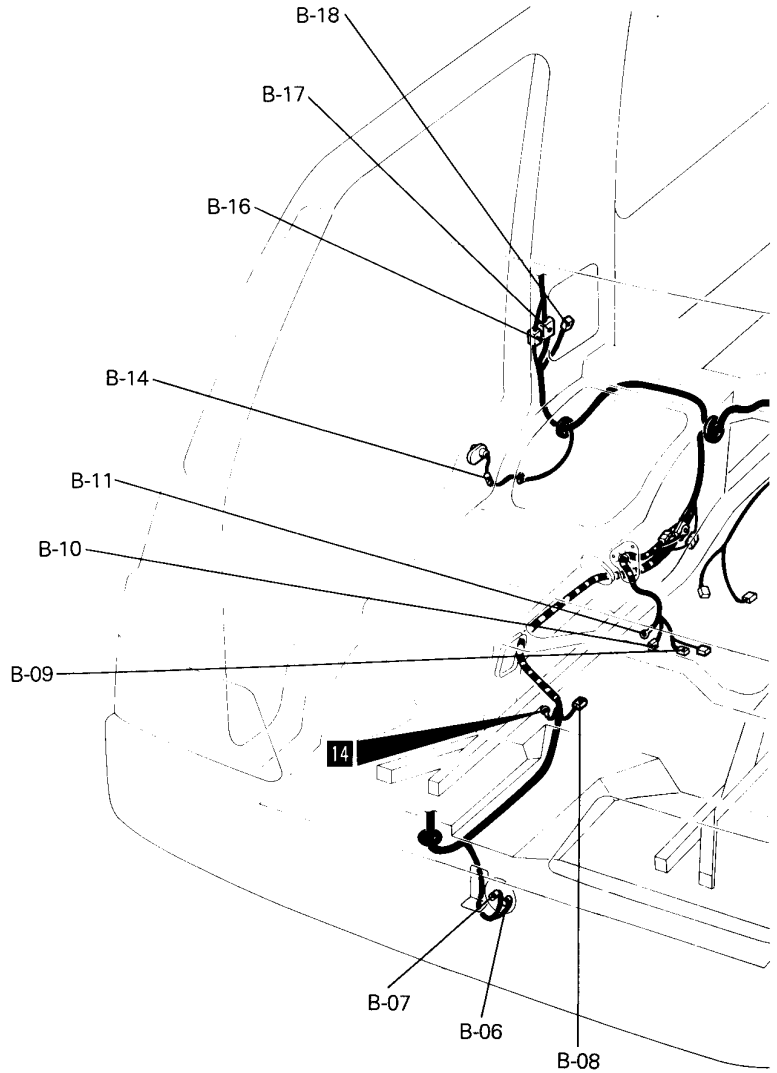
- |       |  |       |   |
|-------|--|-------|---|
| B-96  | Injector 1   | B-103 | Engine coolant temperature switch <A/C> |
| B-97  | Throttle position sensor                                   | B-104 | Magnet clutch (Air conditioner)         |
| B-98  | Injector 2   | B-105 | } —                                     |
| B-99  | Front wiring harness and engine wiring harness combination | B-116 |   |
| B-100 | Injector 3   | B-117 | MPI control unit                        |
| B-101 | Ignition coil  | B-118 | Idle speed control servo                |
| B-102 | Injector 4   | B-119 | Power steering oil pressure switch      |

**Petrol-powered vehicles for Australia**  
**(Vehicles with 4G63-Conventional carburettor)**

A configuration diagram exclusive for the '95 model has been set.

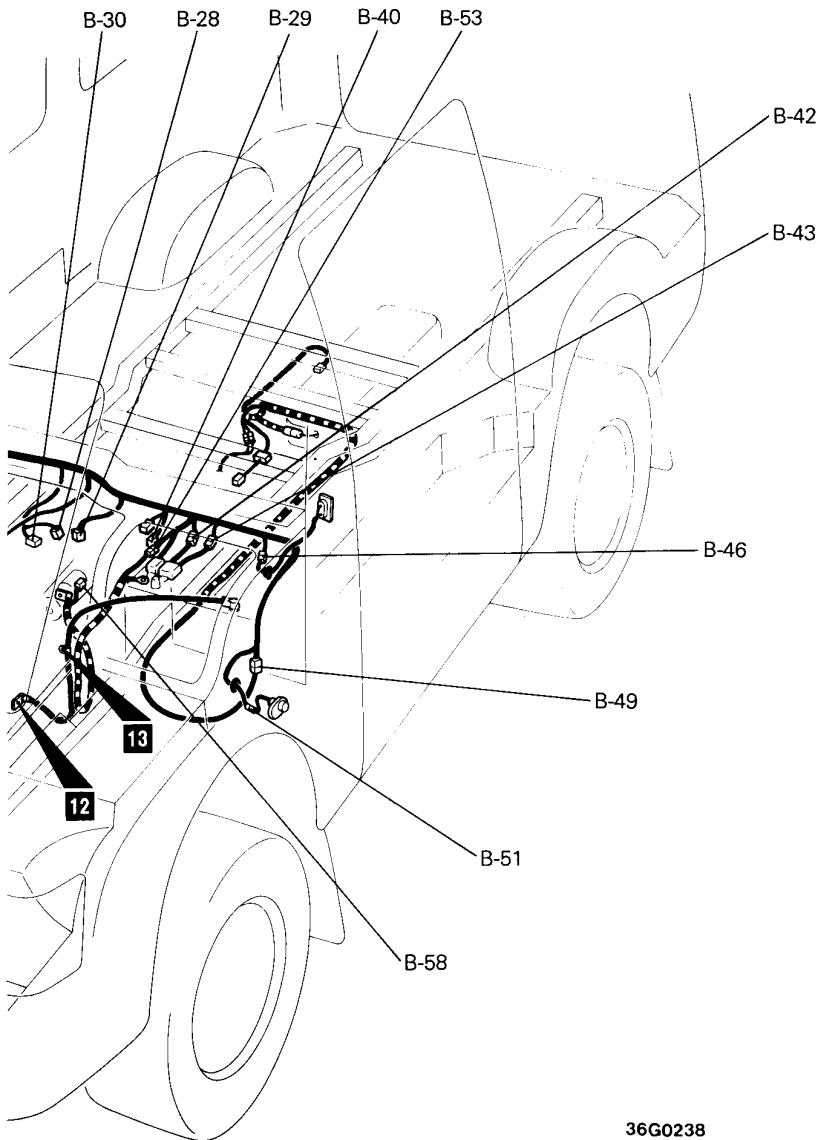
Connector symbol

**B** -01 thru -59



- |      |   |  |  |
|------|---|--|--|
| B-01 | } | —  |  |
| thru |   |  |  |
| B-05 | } | Horn   |  |
| B-06 |   |  |  |
| B-07 | } | Tachometer filter  |  |
| B-08 |   |  |  |
| B-09 | } | Oil pressure switch                                      |  |
| B-10 |   |  |  |
| B-11 | } | Alternator   |  |
| B-12 |   |  |  |
| B-13 | } | —  |  |
| B-14 |   |  |  |
| B-15 | } | Front door switch (R.H.)                                 |  |
| B-16 |   |  |  |
| B-17 | } | Front wiring harness and roof wiring harness combination |  |
| B-18 |   |  |  |
|      | } | —  |  |
|      |   |  |  |
|      | } | Engine coolant temperature switch                        |  |
|      |   |  |  |
|      | } | Fuel cut solenoid valve                                  |  |
|      |   |  |  |
|      | } | Engine coolant temperature gauge unit                    |  |
|      |   |  |  |
|      | } | —  |  |
|      |   |  |  |
|      | } | Vacuum switch  |  |
|      |   |  |  |
|      | } | —  |  |
|      |   |  |  |



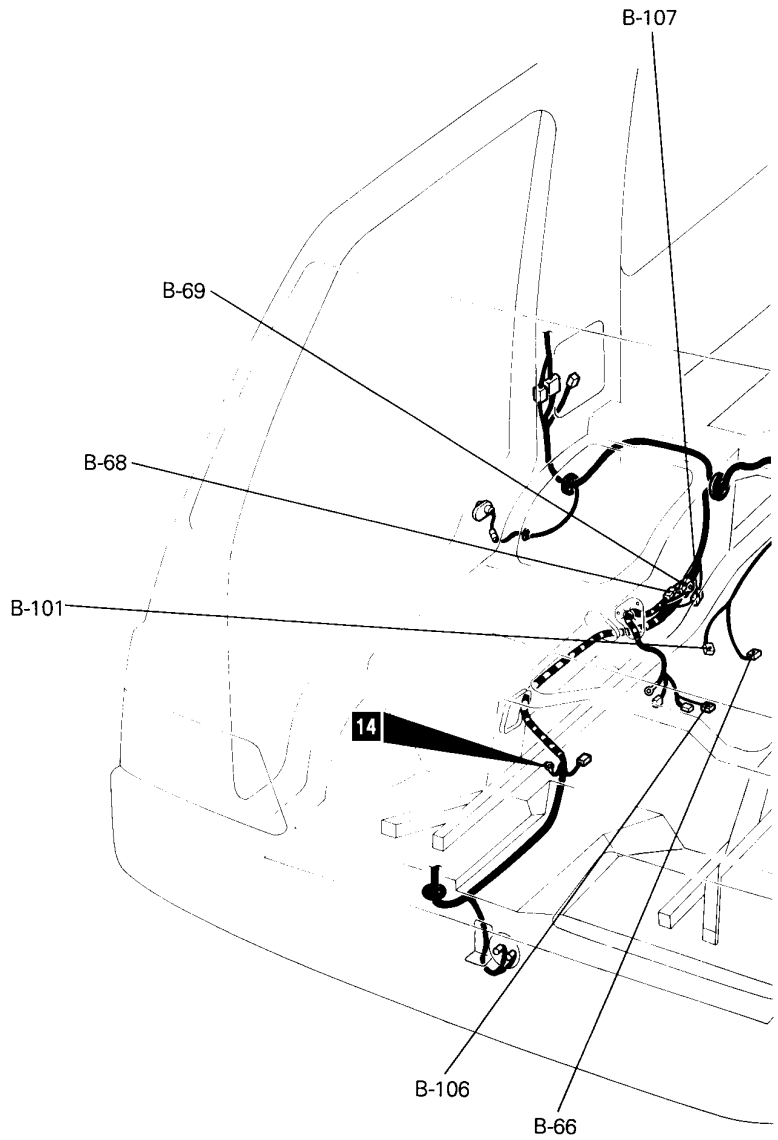


36G0238

B-42	} Front wiring harness and fusible link combination	B-50	—
B-43		B-51	Front door switch (L.H.)
B-44	—	B-52	—
B-45	—	B-53	Front wiring harness and battery cable (+) combination
B-46	Contact switch (Vehicles with a central locking system)	B-54	} —
B-47	—	B-57	
B-48	—	B-58	Starter
B-49	Front wiring harness and fuel gauge wiring harness combination	B-59	—

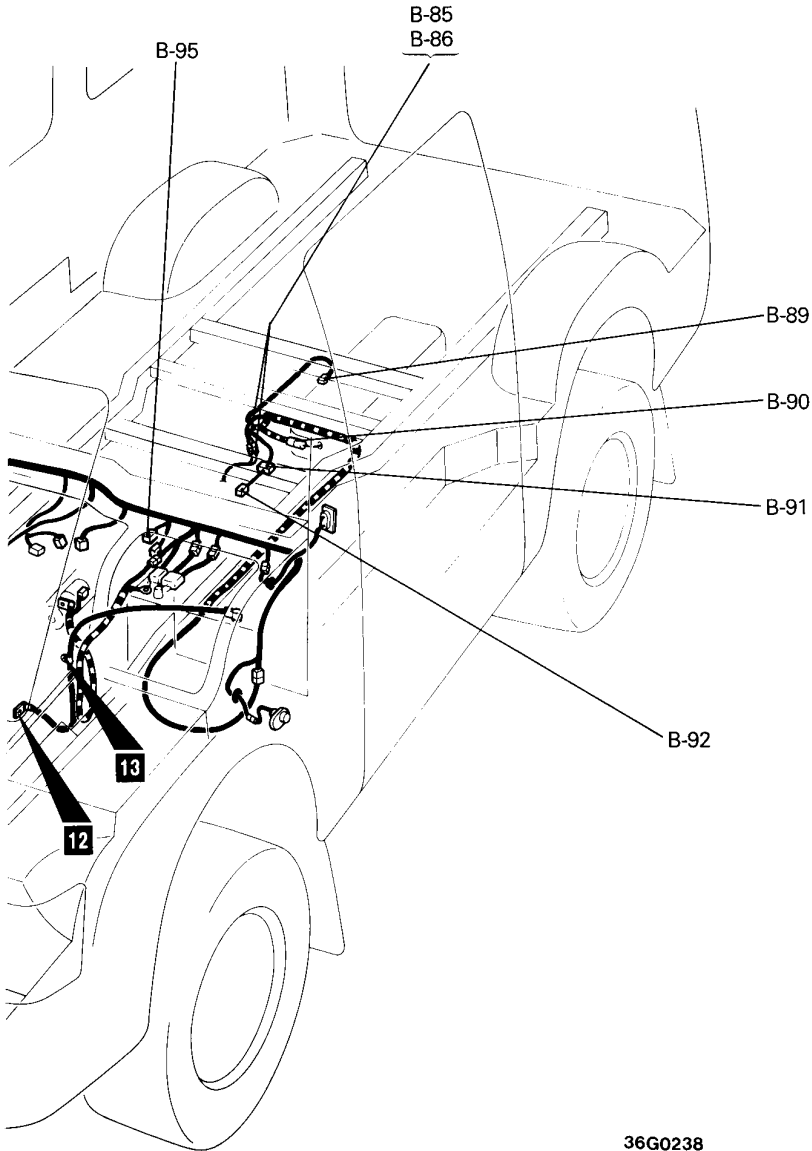
**Petrol-powered vehicles for Australia**  
**(Vehicles with 4G63-Conventional carburettor)**

Connector symbol	
<b>B</b>	-60 thru -107



B-60	}	—
thru		
B-65	}	Distributor
B-66		
B-67	}	Front wiring harness and engine wiring harness combination
B-68		
B-69		

B-70	}	—
thru		
B-84	}	Back-up lamp switch
B-85		
B-86	}	—
B-87		
B-88		



36G0238

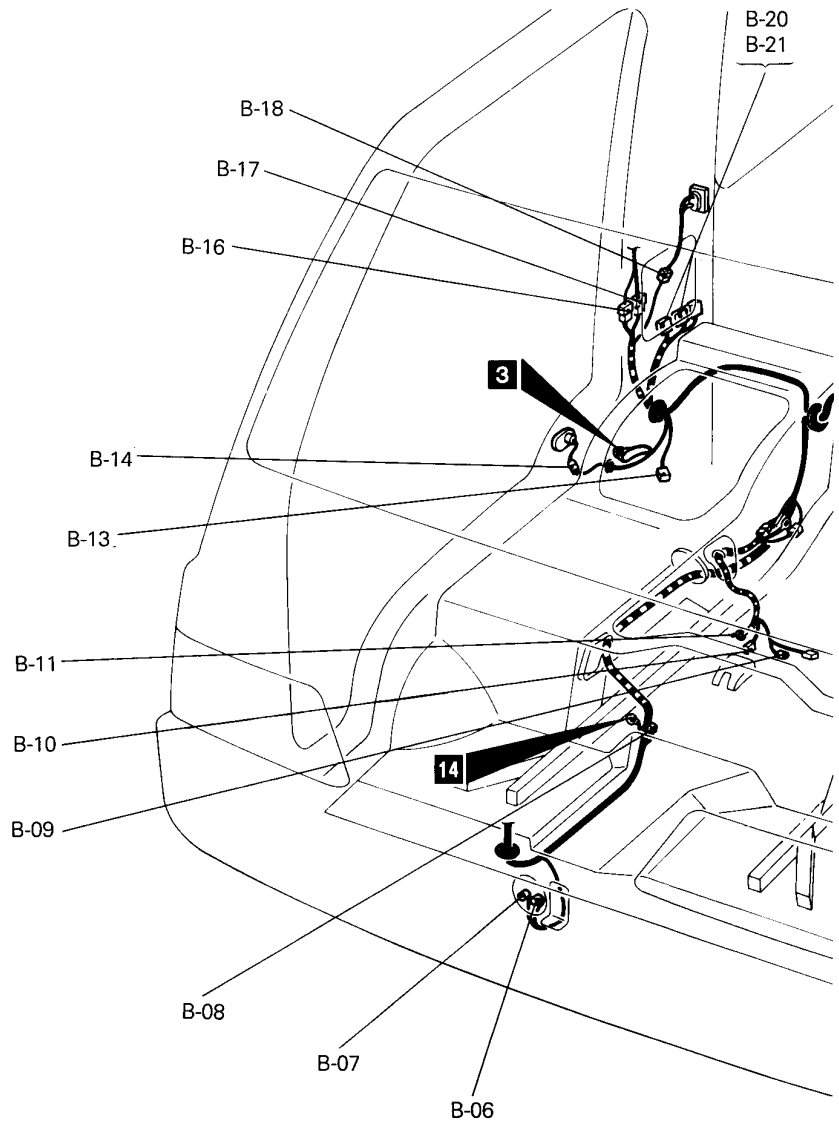
B-89 Fuel gauge unit  
 B-90 Fuel pump  
 B-91 Inhibitor switch  
 B-92 Overdrive solenoid valve  
 B-93 —  
 B-94 —  
 B-95 No connection

B-96 }  
 thru } —  
 B-100 }  
 B-101 Ignition coil  
 B-102 }  
 thru } —  
 B-105 }  
 B-106 Engine oil level sensor  
 B-107 Front wiring harness and engine wiring harness  
 combination

**Petrol-powered vehicles for Australia**  
**(Vehicles with 4G64-MPI)**

A configuration diagram exclusive for the '95 model has been set.

Connector symbol
<b>B</b> -01 thru -59

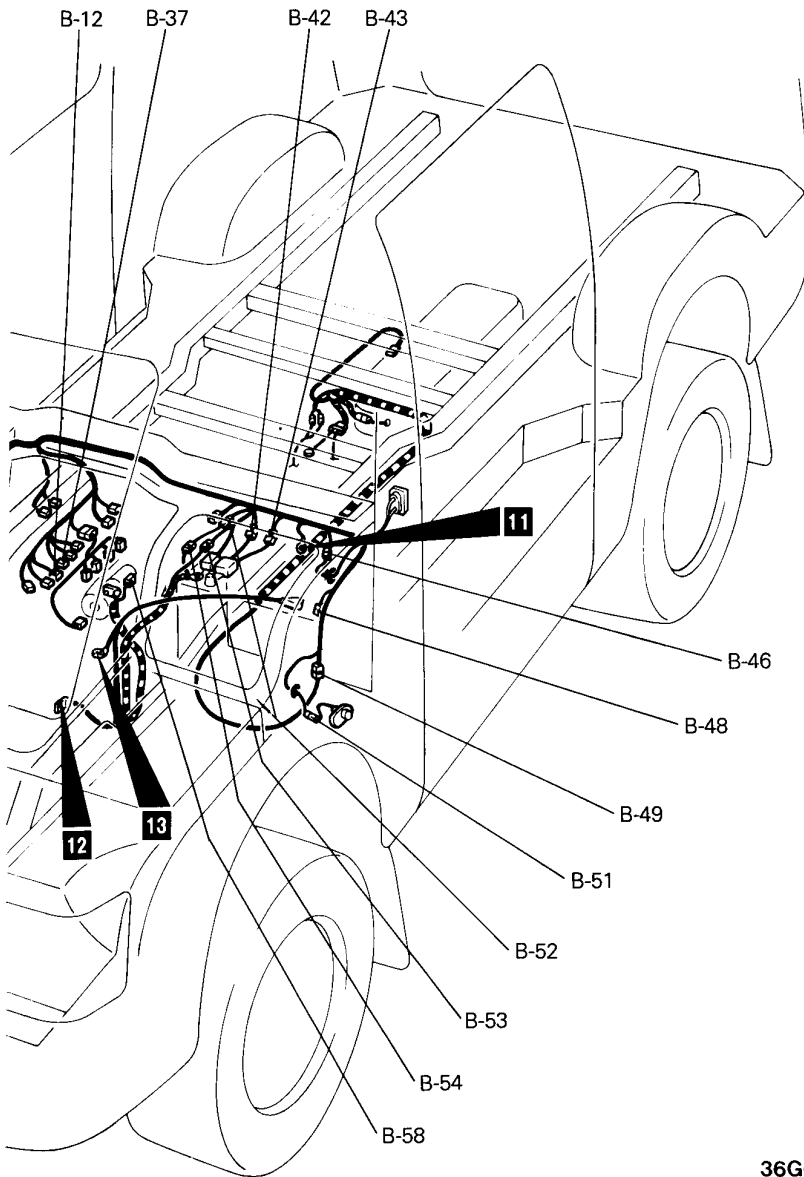


- B-01 } —
- thru } —
- B-05 } —
- B-06 } Horn
- B-07 } —
- B-08 } Tachometer filter
- B-09 } Oil pressure switch

- B-10 } Alternator
- B-11 } —
- B-12 } Oxygen sensor
- B-13 } Air flow sensor
- B-14 } Front door switch (R.H.)
- B-15 } —
- B-16 } Front wiring harness and roof wiring harness
- B-17 } combination
- B-18 } Contact switch (Vehicles with a central locking system)

- B-19 } —
- B-20 } MPI control unit
- B-21 } —

- B-22 } —
- thru } —
- B-36 } —
- B-37 } Ignition timing adjustment connector
- B-38 } —
- thru } —
- B-41 } —
- B-42 } Front wiring harness and fusible link combination
- B-43 } —
- B-44 } —
- B-45 } —

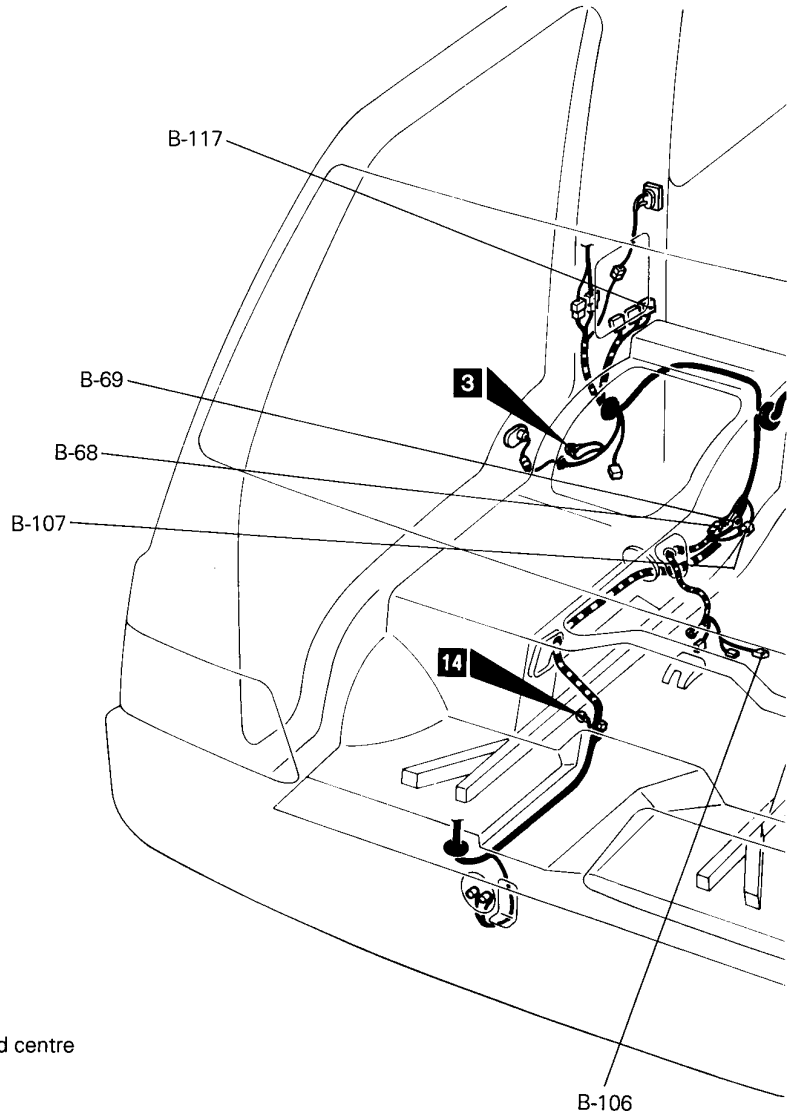


36G0231

B-46	Contact switch (Vehicles with a central locking system)	B-51	Front door switch (L.H.)
B-47	—	B-52	Front wiring harness and fusible link combination
B-48	Fuel pump checker	B-53	Front wiring harness and battery cable (+) combination
B-49	Front wiring harness and fuel gauge wiring harness combination	B-54	Fusible link and battery cable (+) combination
B-50	—	B-55	} —
		thru	
		B-57	
		B-58	Starter
		B-59	—

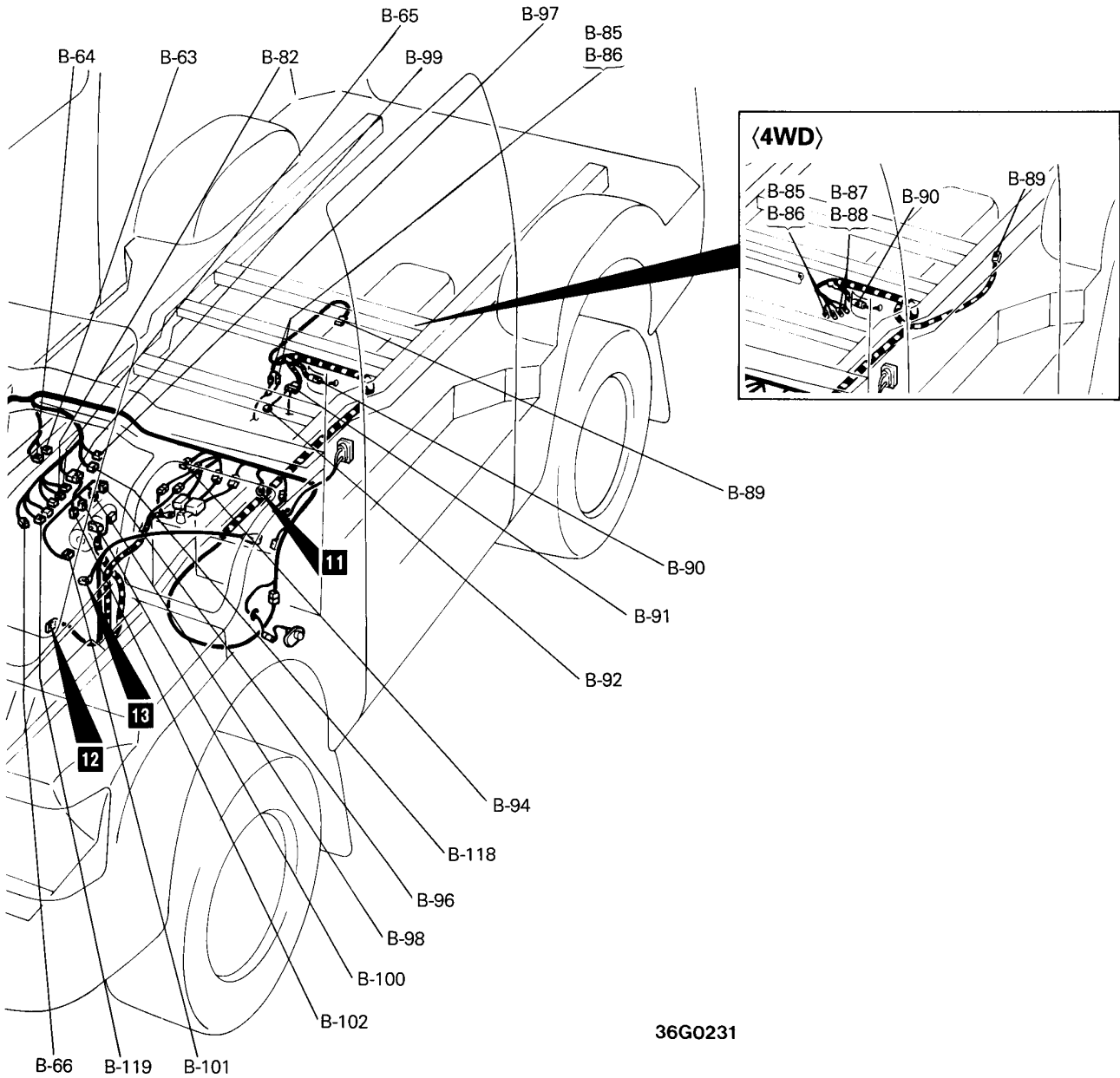
**Petrol-powered vehicles for Australia  
(Vehicles with 4G64-MPI)**

Connector symbol  
**B** -60 thru -119



- B-60 } —
- thru } —
- B-62 } —
- B-63 } Engine coolant temperature gauge unit
- B-64 } Engine coolant temperature switch <A/T>
- B-65 } Engine coolant temperature sensor
- B-66 } Distributor (Crank angle sensor and top dead centre sensor)
- B-67 } —
- B-68 } Front wiring harness and engine wiring harness combination
- B-69 } —
- B-70 } —
- thru } —
- B-81 } —
- B-82 } Power transistor
- B-83 } —
- B-84 } —
- B-85 } Back-up lamp switch
- B-86 } —
- B-87 } 4WD indicator lamp switch
- B-88 } —
- B-89 } Fuel gauge unit
- B-90 } Fuel pump

- B-91 } Inhibitor switch
- B-92 } Overdrive solenoid valve
- B-93 } —
- B-94 } No connection
- B-95 } —
- B-96 } Injector 1
- B-97 } Throttle position sensor
- B-98 } Injector 2
- B-99 } Front wiring harness and engine wiring harness combination



36G0231

- |       |  |       |                                    |
|-------|--|-------|------------------------------------|
| B-100 | Injector 3   | B-108 | —                                  |
| B-101 | Ignition coil  | thru  | —                                  |
| B-102 | Injector 4   | B-116 | —                                  |
| B-103 | }  | B-117 | MPI control unit                   |
| thru  |  | B-118 | Idle speed control servo           |
| B-105 | —  | B-119 | Power steering oil pressure switch |
| B-106 | Engine oil level sensor                                    |       |                                    |
| B-107 | Front wiring harness and engine wiring harness combination |       |                                    |

### **3 SINGLE PART INSTALLATION POSITION**

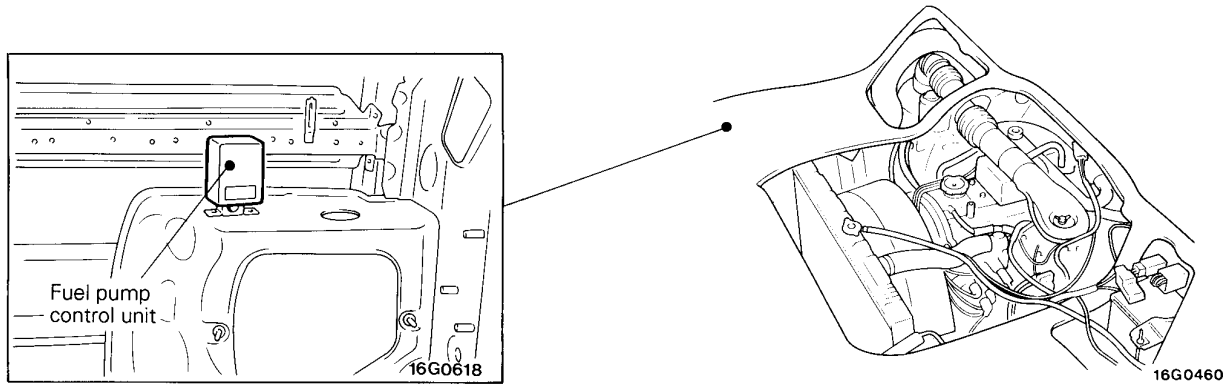
**CONTROL UNIT ..... 3-2**



## CONTROL UNIT

The fuel pump control unit has been added to the conventional carburettor vehicle.

### Engine compartment



## 4 CIRCUIT DIAGRAM

### IGNITION CIRCUIT

- Vehicles for General Export with conventional carburettor ..... 4- 2
- Vehicles for Australia with conventional carburettor ..... 4- 3

### CARBURETTOR CONTROL CIRCUIT

- Vehicles for General Export ..... 4- 4
- Vehicles for Australia ..... 4- 5

### FEEDBACK CARBURETTOR CIRCUIT

- Vehicles for Europe ..... 4- 6
- Vehicles for General Export ..... 4- 8

### MPI CIRCUIT

- Vehicles for Europe ..... 4-10
- Vehicles for General Export ..... 4-12
- Vehicles for Australia ..... 4-14

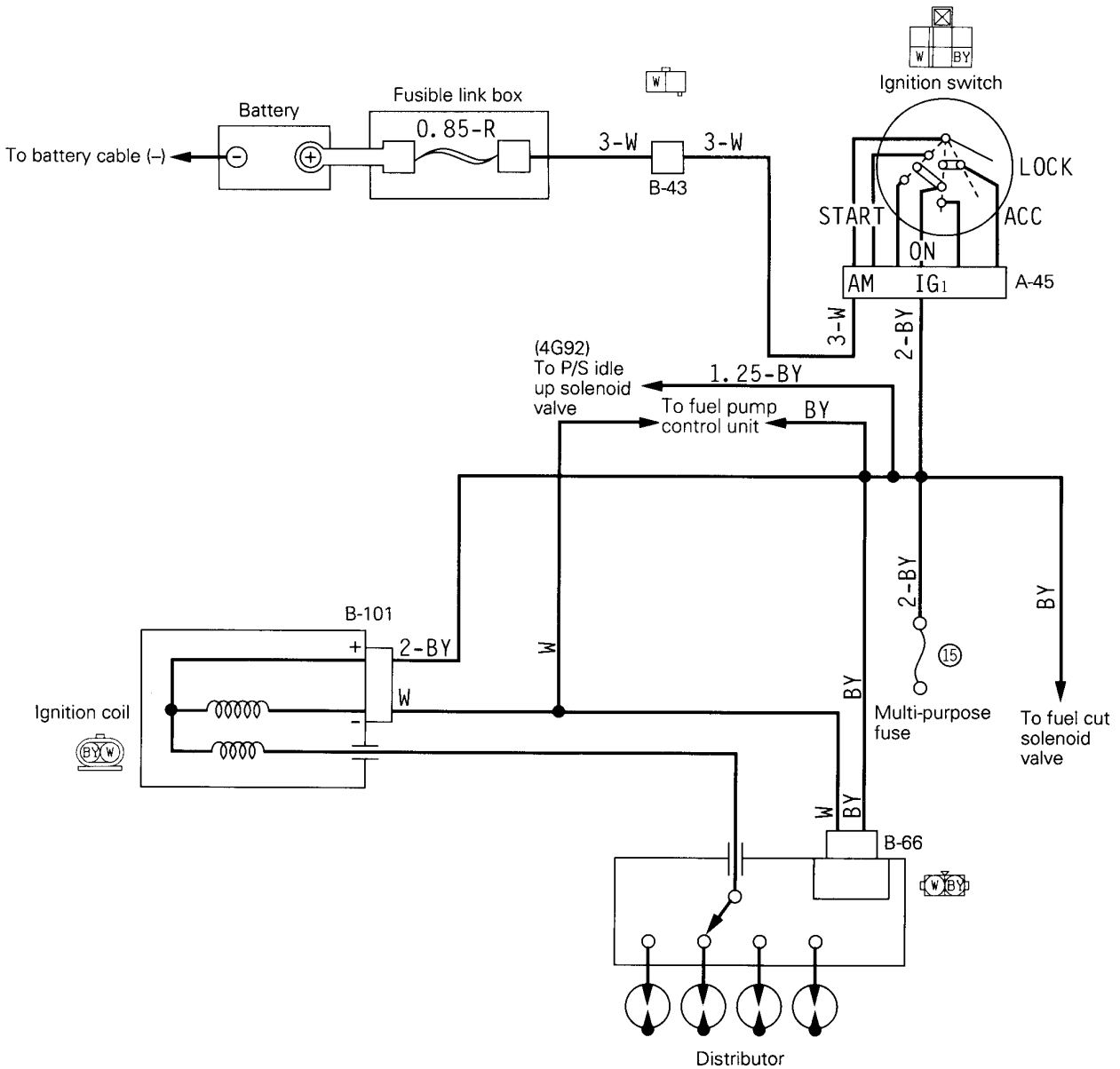
### AIR CONDITIONER CIRCUIT

- Front type <Petrol-powered vehicles for General Export  
(except Mini bus for GCC)> ..... 4-16

# IGNITION CIRCUIT

Vehicles for General Export with conventional carburettor

A circuit exclusive for the '95 model has been set.



37G0513

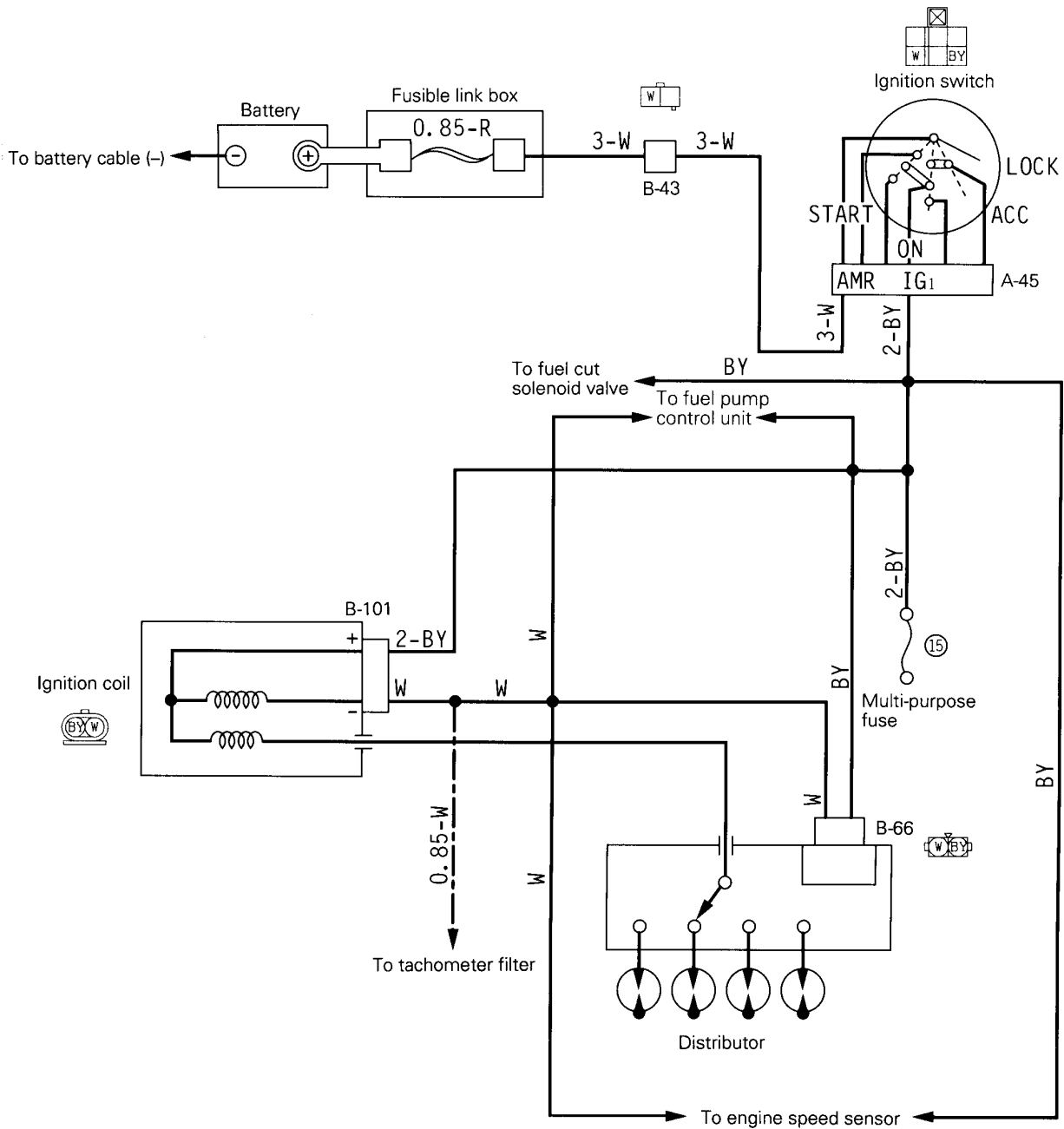
Wire colour code

- |           |           |          |              |           |                 |
|-----------|-----------|----------|--------------|-----------|-----------------|
| B: Black  | Br: Brown | G: Green | Gr: Gray     | L: Blue   | Lg: Light green |
| O: Orange | P: Pink   | R: Red   | Sb: Sky blue | V: Violet | Y: Yellow       |

# IGNITION CIRCUIT

Vehicles for Australia with conventional carburettor

A circuit exclusive for the '95 model has been set.



37G0514

Remark  
The chain line (---) is applicable to vehicles with tachometer.

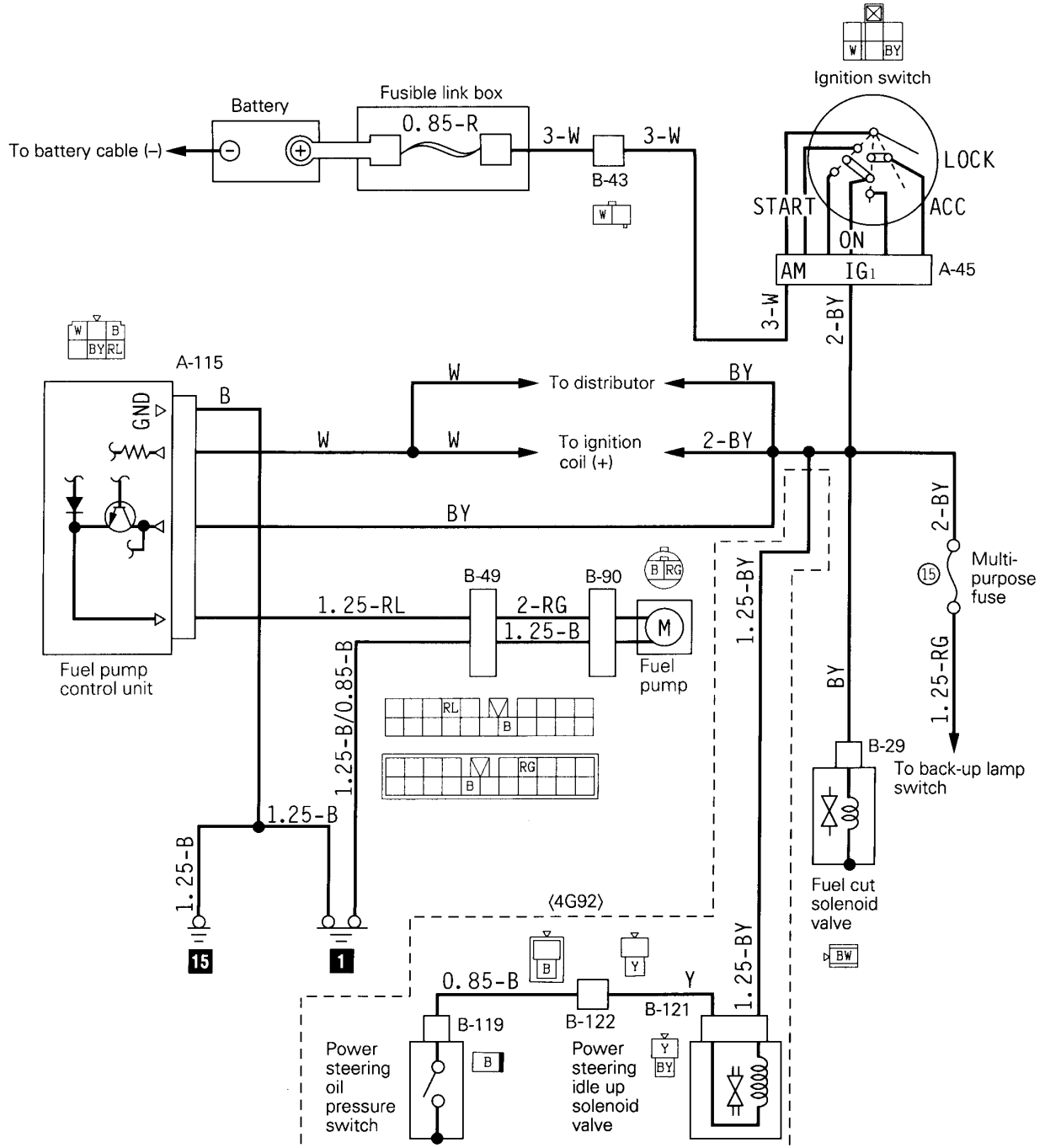
Wire colour code

- |           |           |          |              |           |                 |           |
|-----------|-----------|----------|--------------|-----------|-----------------|-----------|
| B: Black  | Br: Brown | G: Green | Gr: Gray     | L: Blue   | Lg: Light green |           |
| O: Orange | P: Pink   | R: Red   | Sb: Sky blue | V: Violet | W: White        | Y: Yellow |

# CARBURETTOR CONTROL CIRCUIT

## Vehicles for General Export

A circuit exclusive for the '95 model has been set.



37G0515

**Remark**

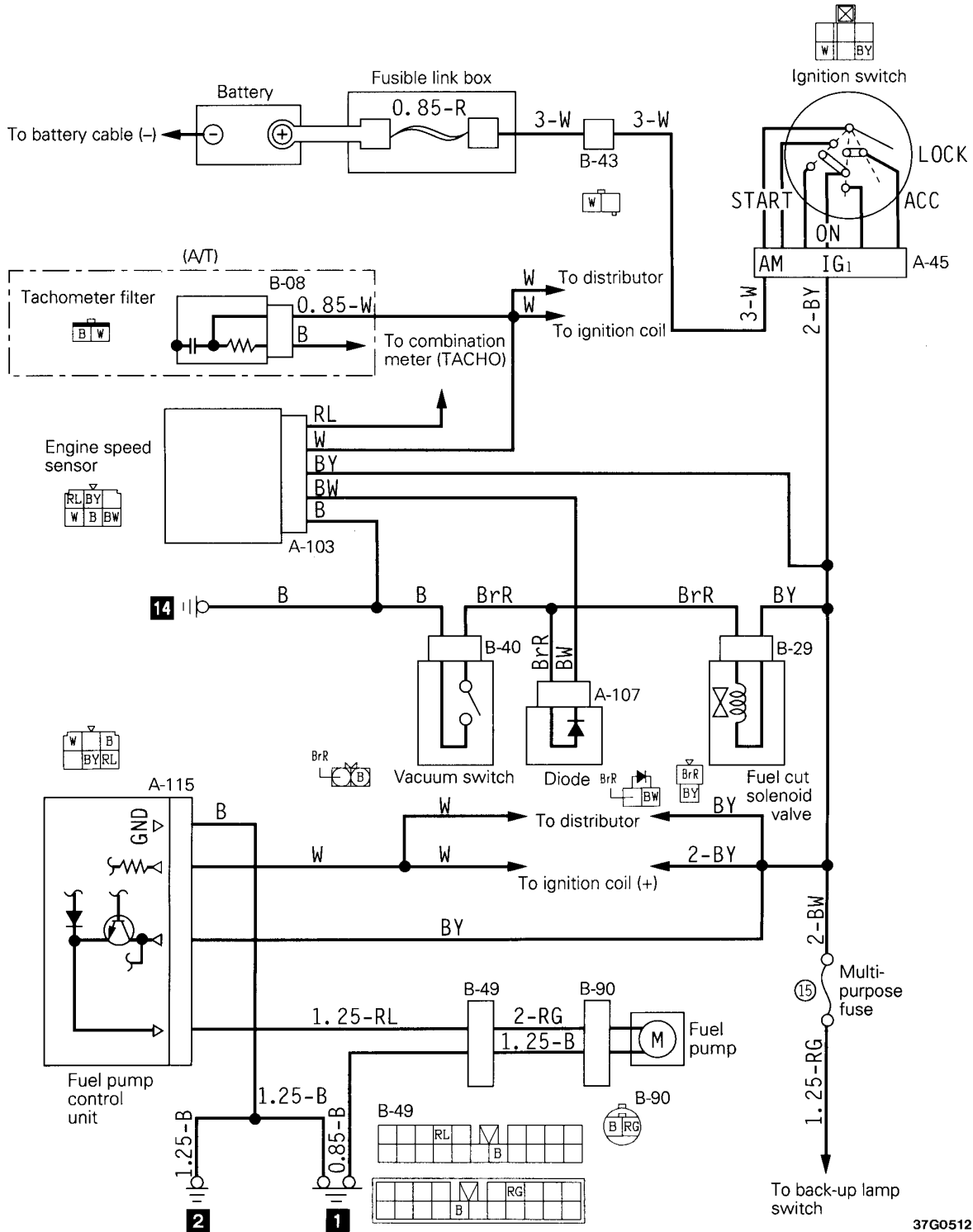
Wires identified before "/" are installed on L.H. drive vehicles and those after "/" on R.H. drive vehicles.

**Wire colour code**

B: Black	Br: Brown	G: Green	Gr: Gray	L: Blue	Lg: Light green	
O: Orange	P: Pink	R: Red	Sb: Sky blue	V: Violet	W: White	Y: Yellow

**Vehicles for Australia**

A circuit exclusive for the '95 model has been set.



37G0512

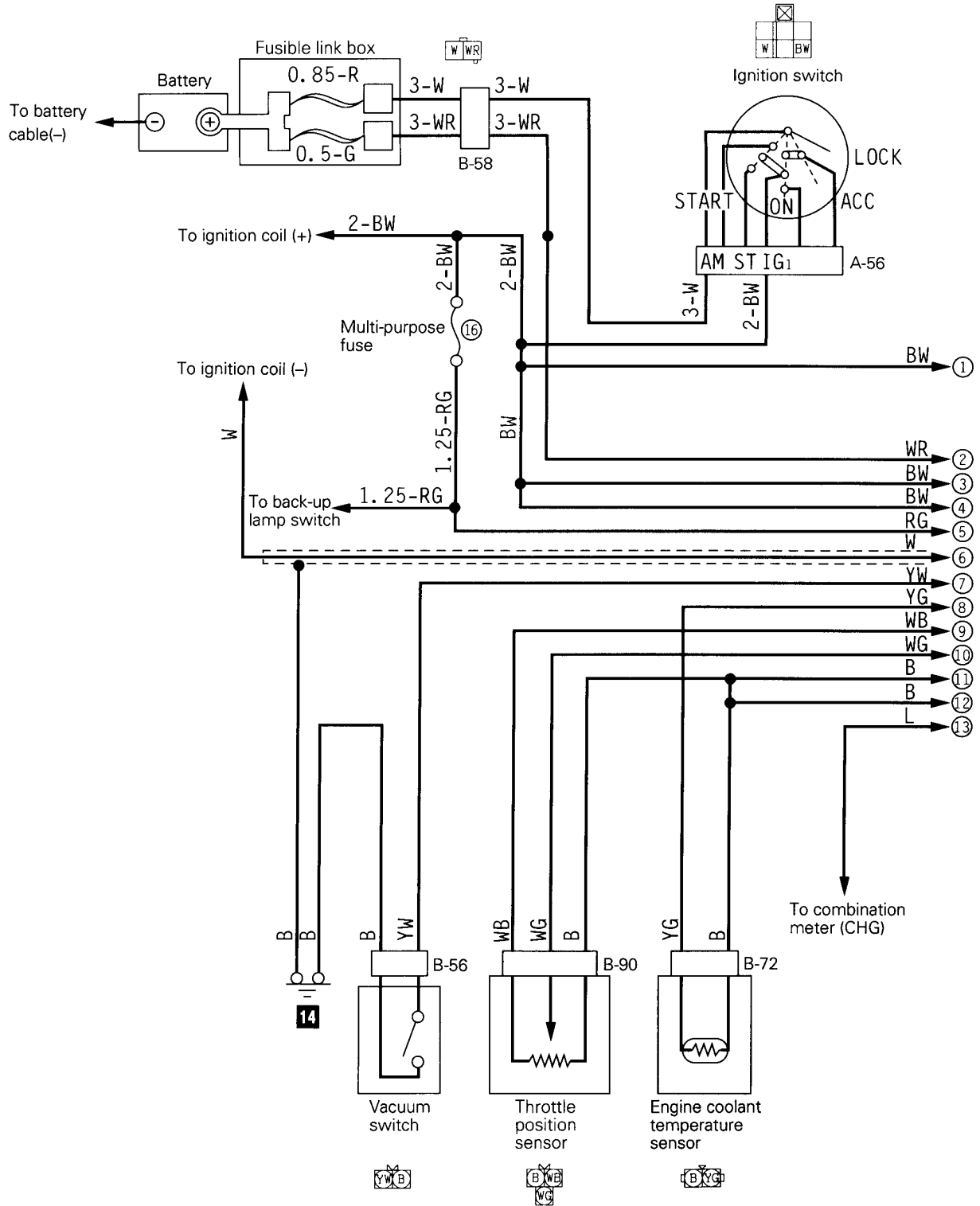
**Wire colour code**

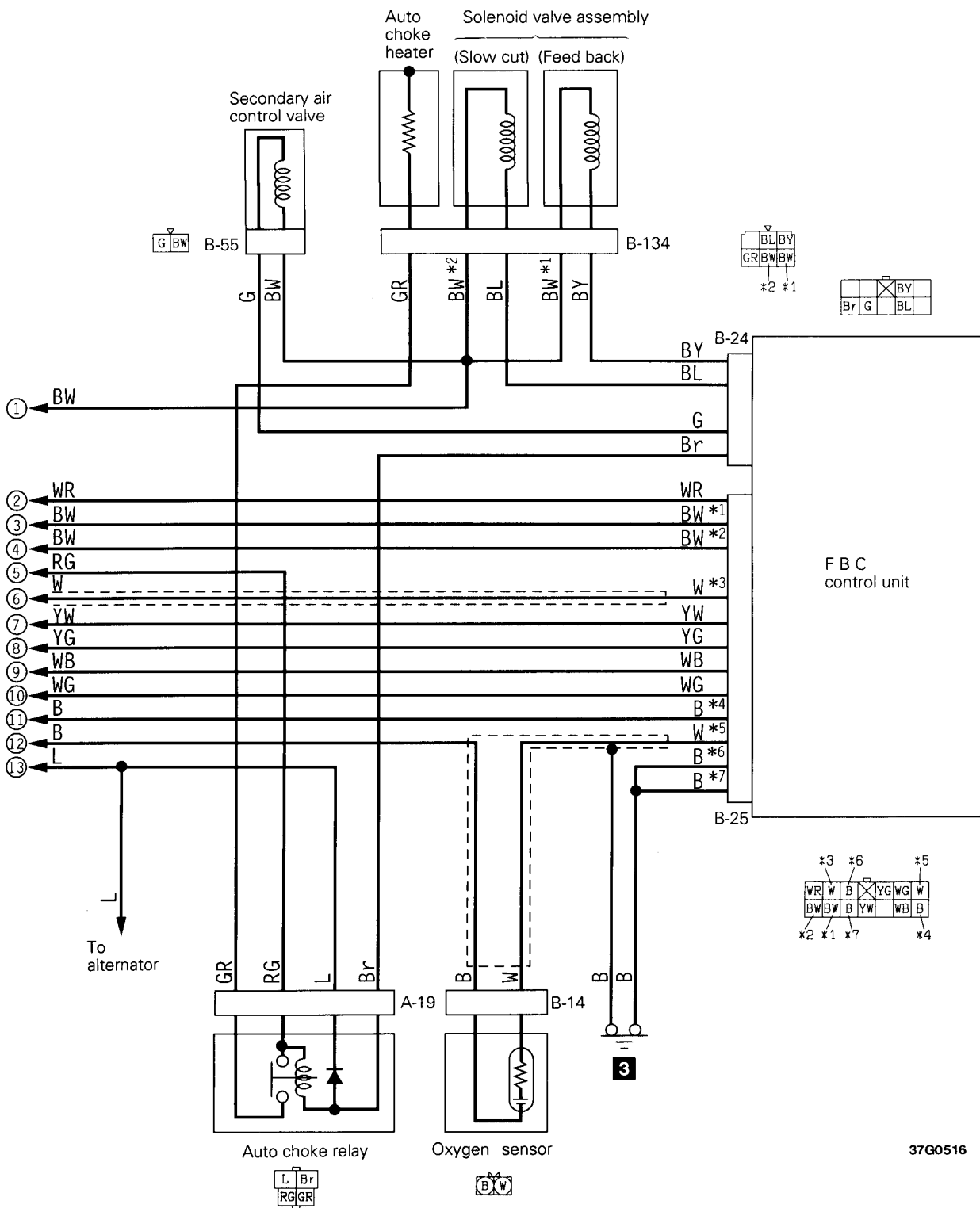
- |           |           |          |              |           |                 |
|-----------|-----------|----------|--------------|-----------|-----------------|
| B: Black  | Br: Brown | G: Green | Gr: Gray     | L: Blue   | Lg: Light green |
| O: Orange | P: Pink   | R: Red   | Sb: Sky blue | V: Violet | Y: Yellow       |

# FEEDBACK CARBURETTOR CIRCUIT

## Vehicles for Europe

A circuit exclusive for the '95 model has been set.





37G0516

Wire colour code

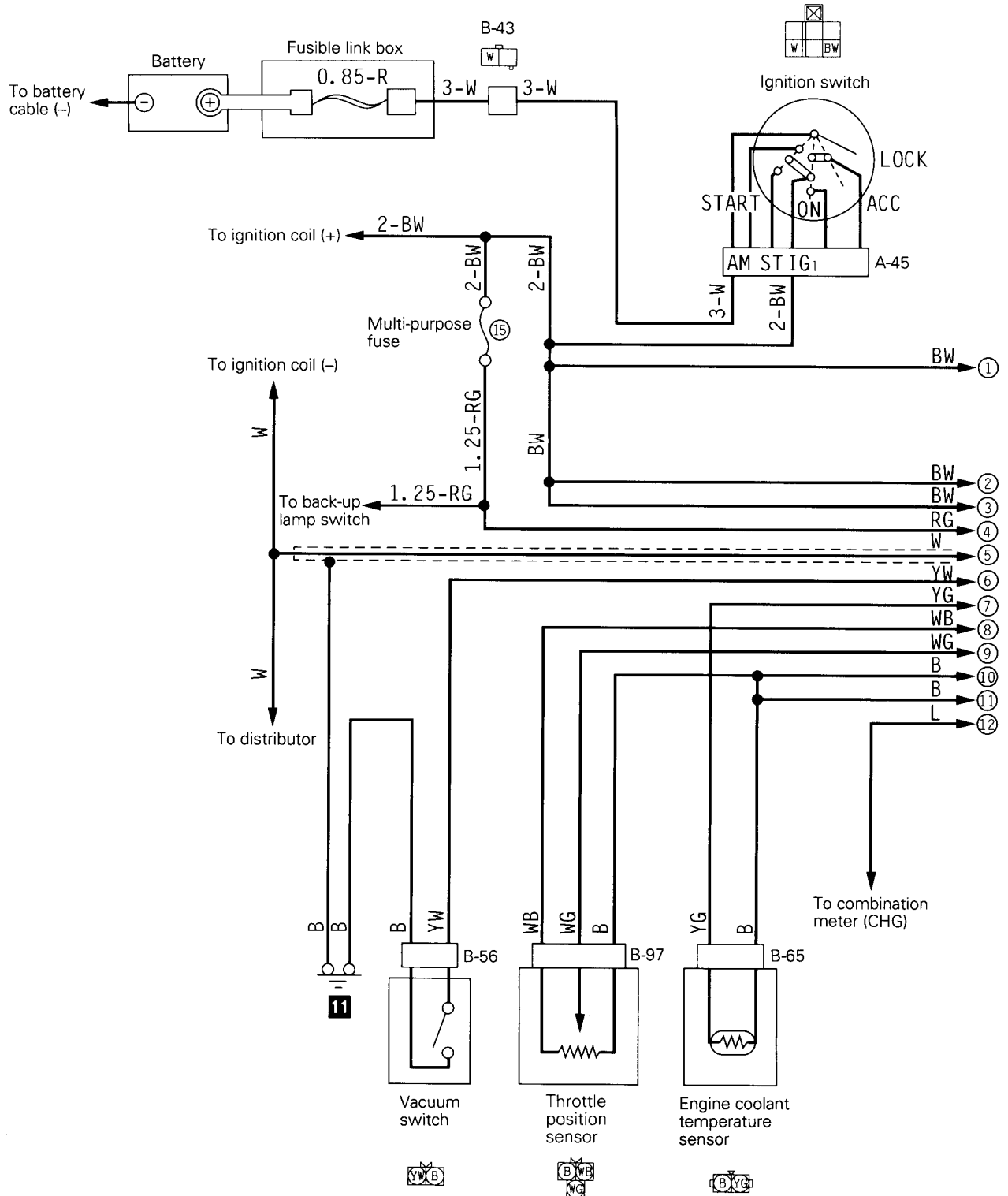
- |           |           |          |              |           |                 |          |
|-----------|-----------|----------|--------------|-----------|-----------------|----------|
| B: Black  | Br: Brown | G: Green | Gr: Gray     | L: Blue   | Lg: Light green |          |
| O: Orange | P: Pink   | R: Red   | Sb: Sky blue | V: Violet | Y: Yellow       | W: White |

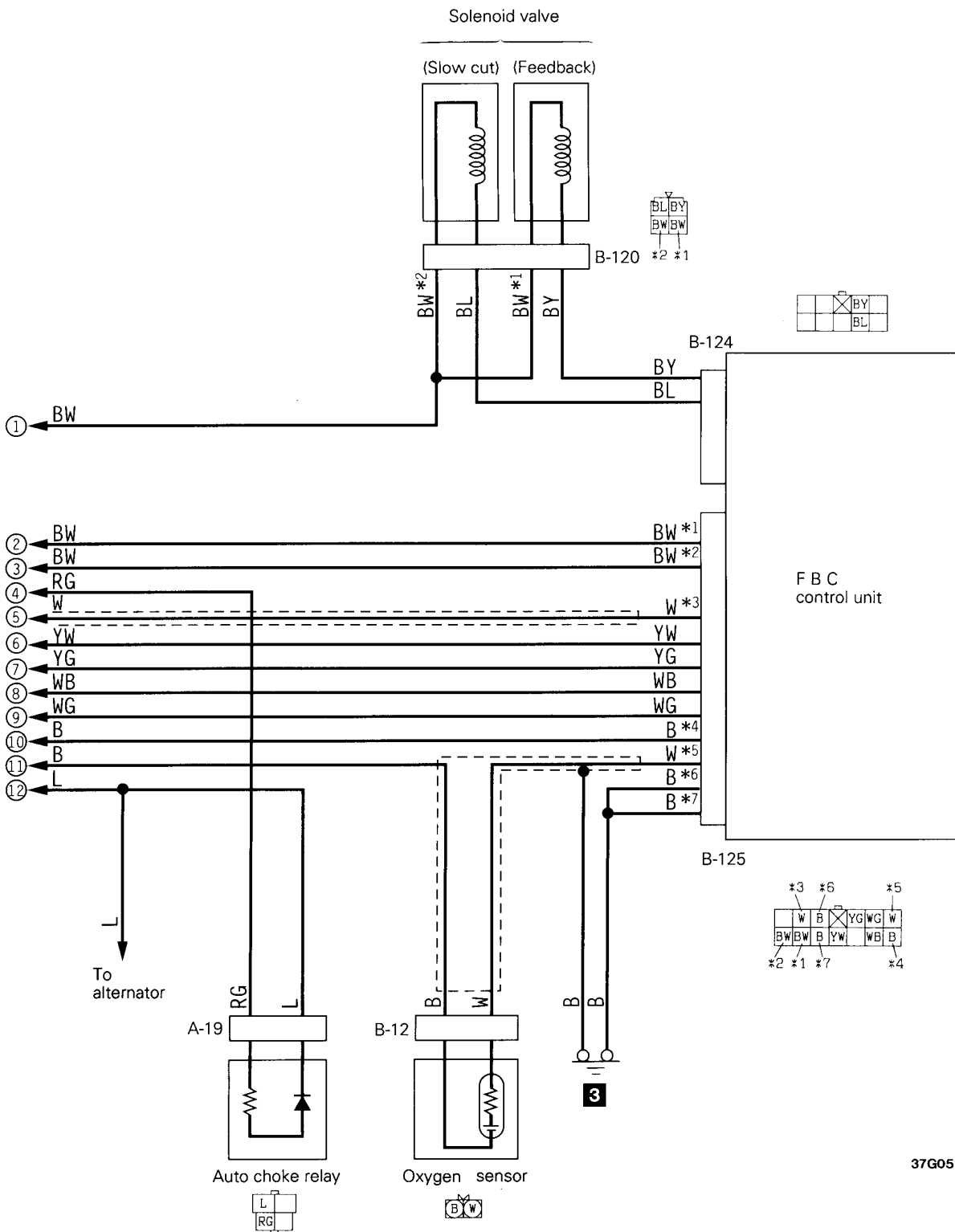


# FEEDBACK CARBURETTOR CIRCUIT

## Vehicles for General Export

A circuit exclusive for the '95 model has been set.



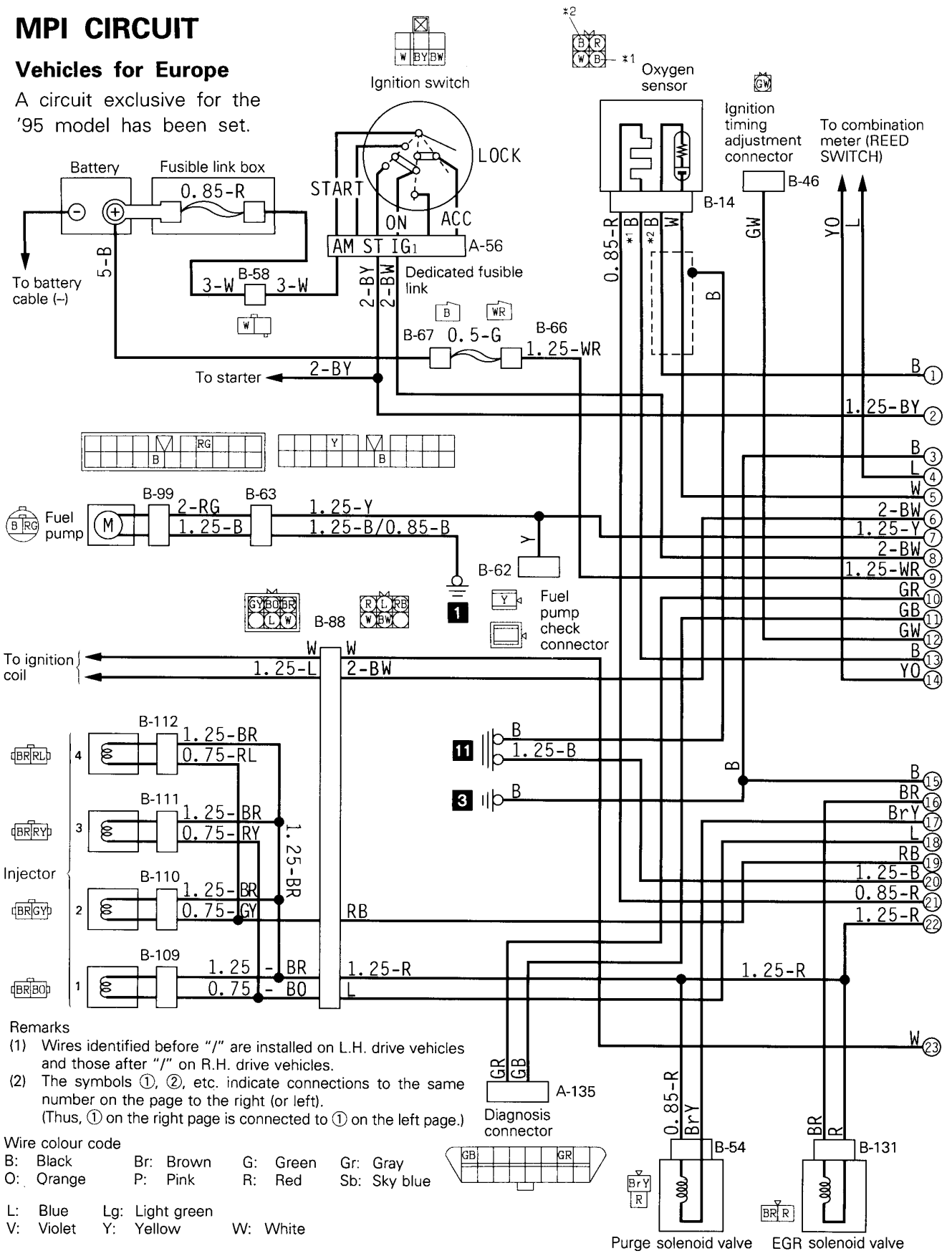


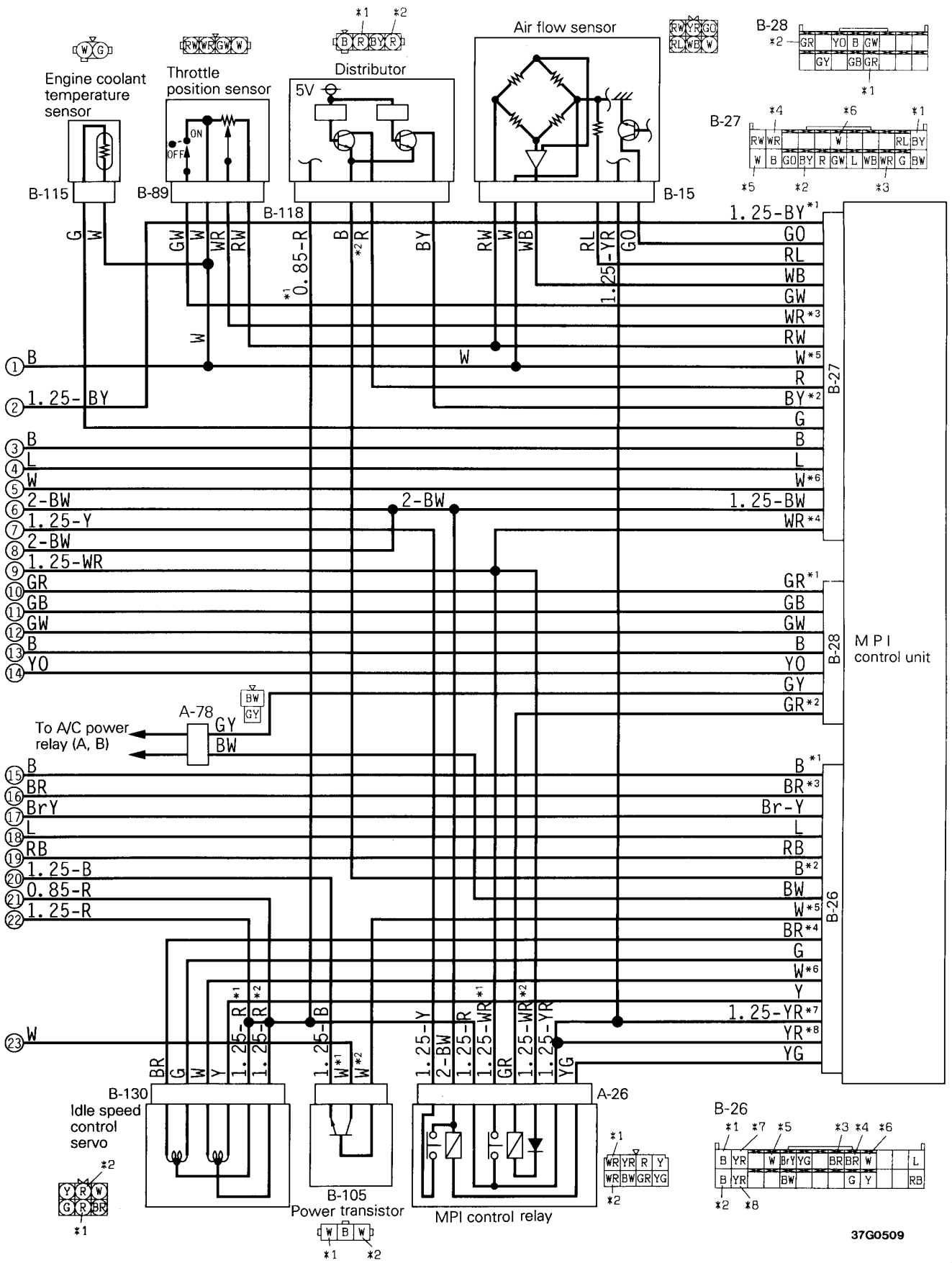
37G0517

# MPI CIRCUIT

## Vehicles for Europe

A circuit exclusive for the '95 model has been set.

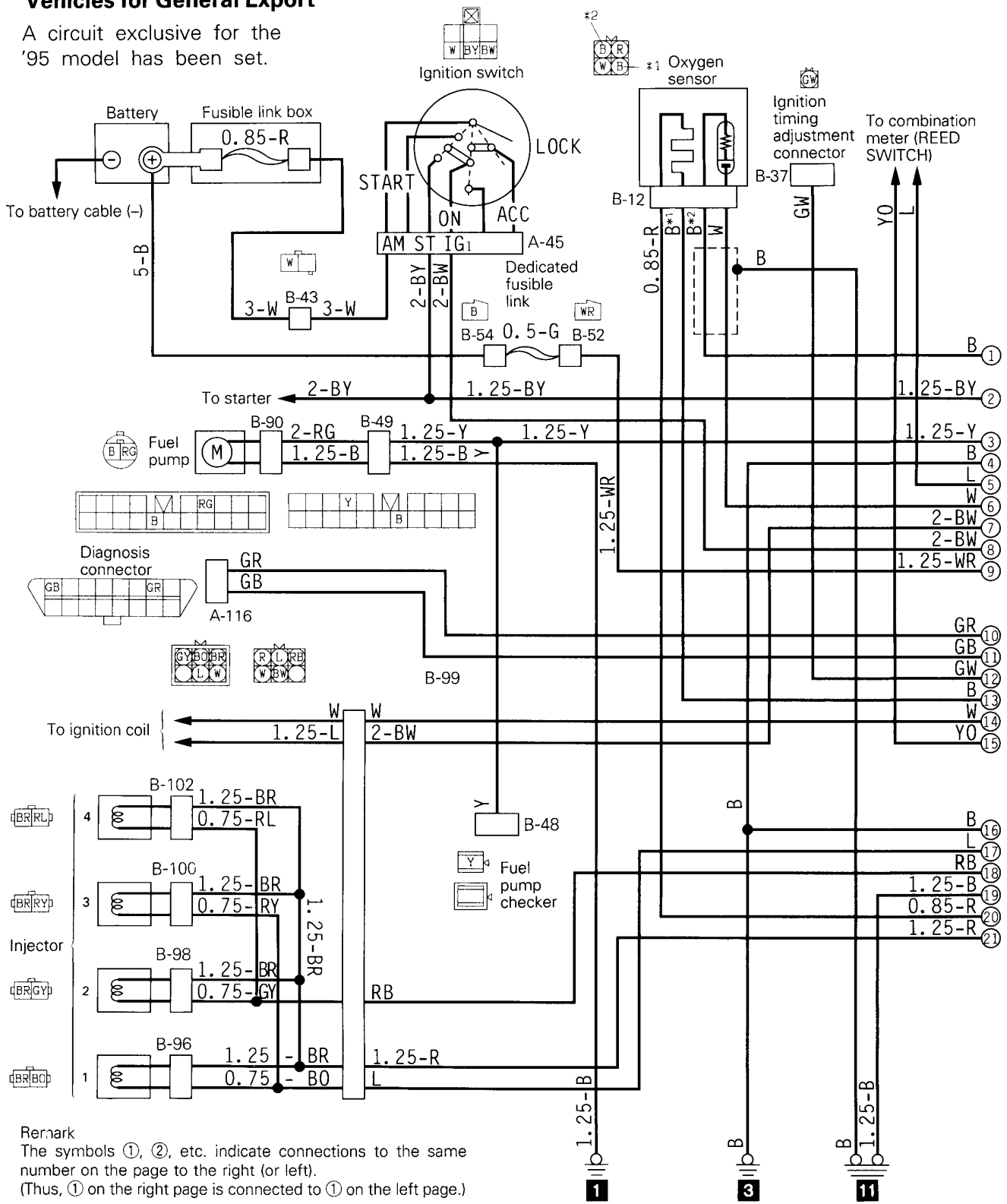




# MPI CIRCUIT

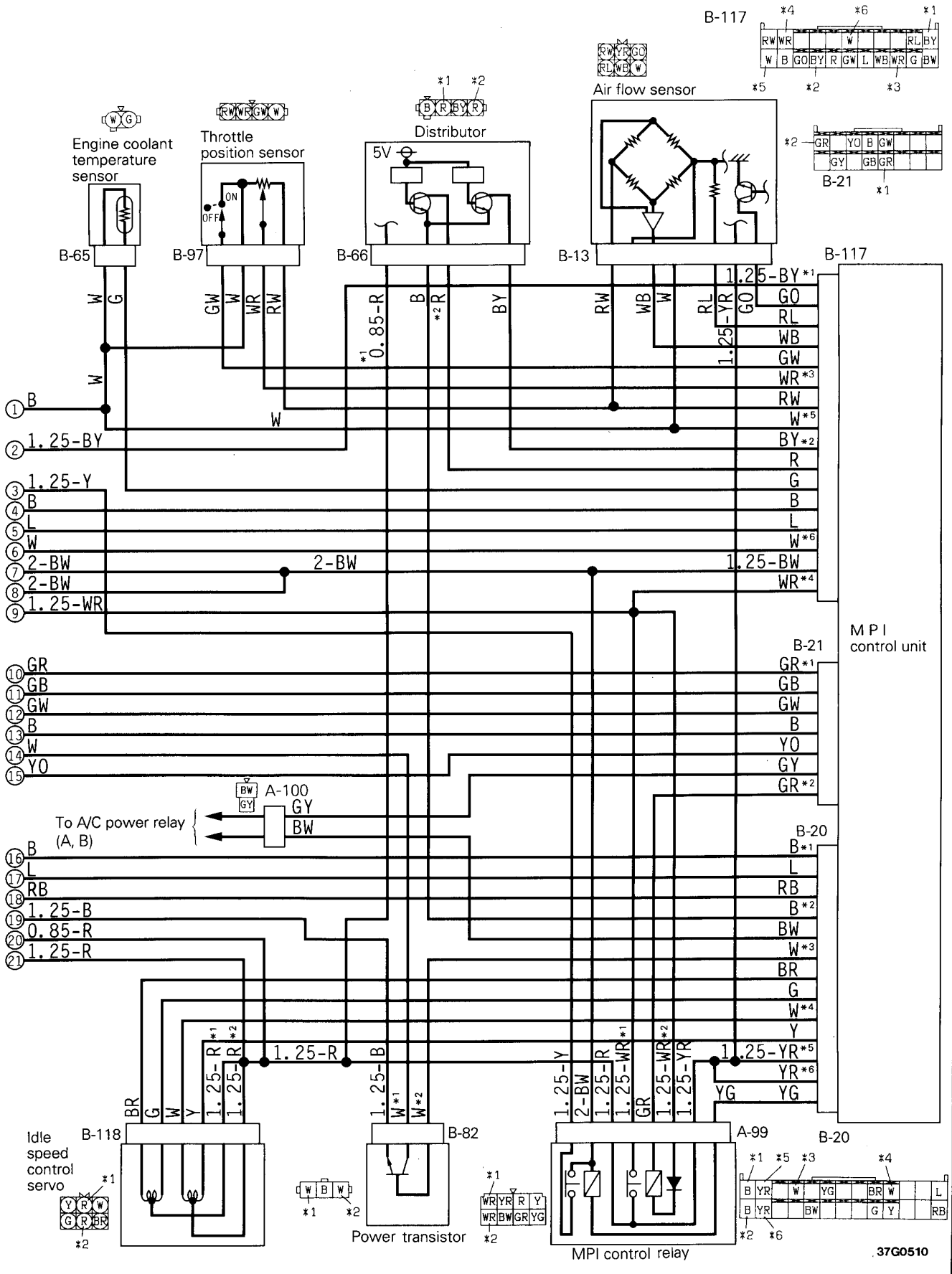
## Vehicles for General Export

A circuit exclusive for the '95 model has been set.



**Remark**  
 The symbols ①, ②, etc. indicate connections to the same number on the page to the right (or left).  
 (Thus, ① on the right page is connected to ① on the left page.)

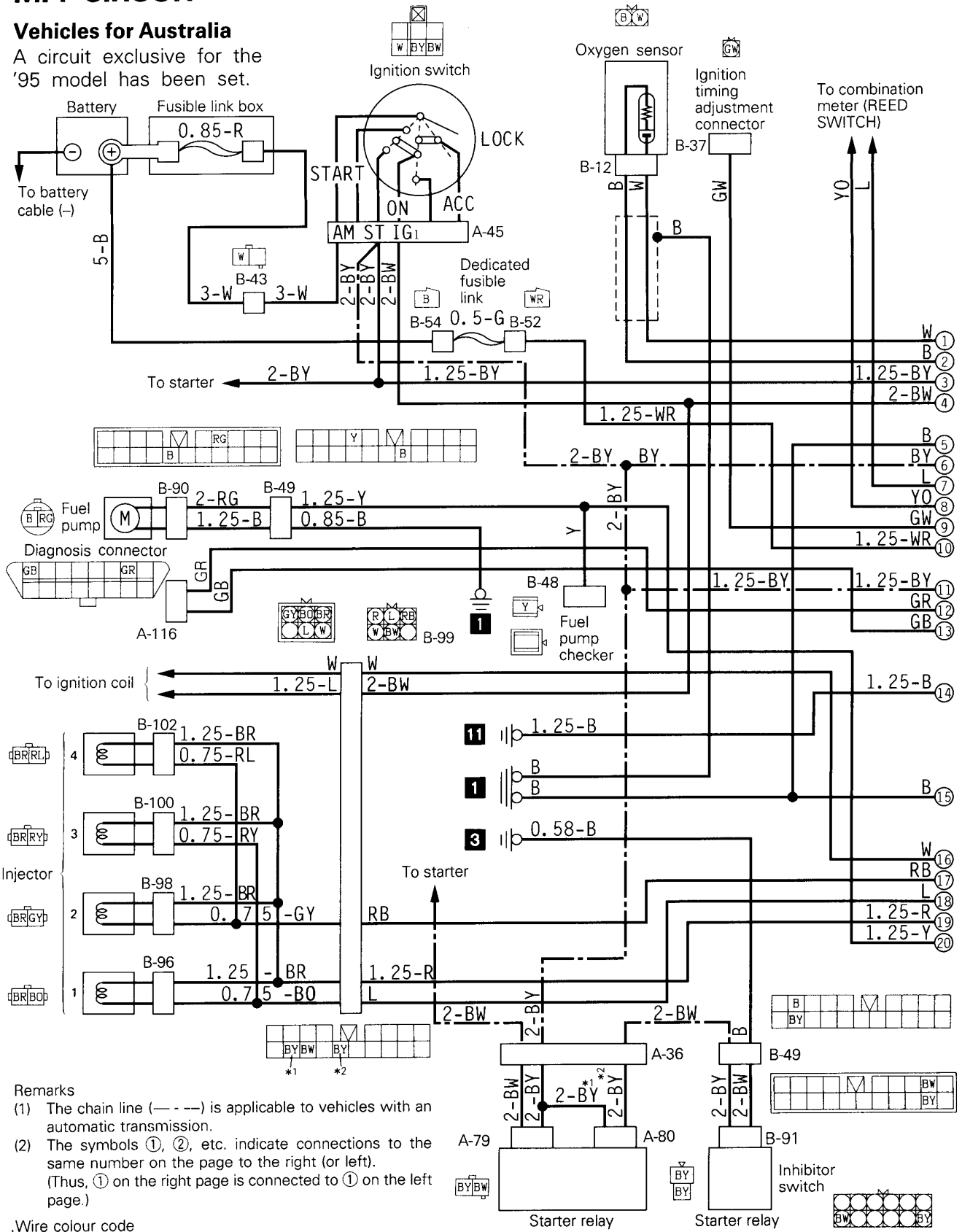
Wire colour code B: Black O: Orange Br: Brown P: Pink G: Green R: Red Gr: Gray Sb: Sky blue L: Blue V: Violet Lg: Light green



# MPI CIRCUIT

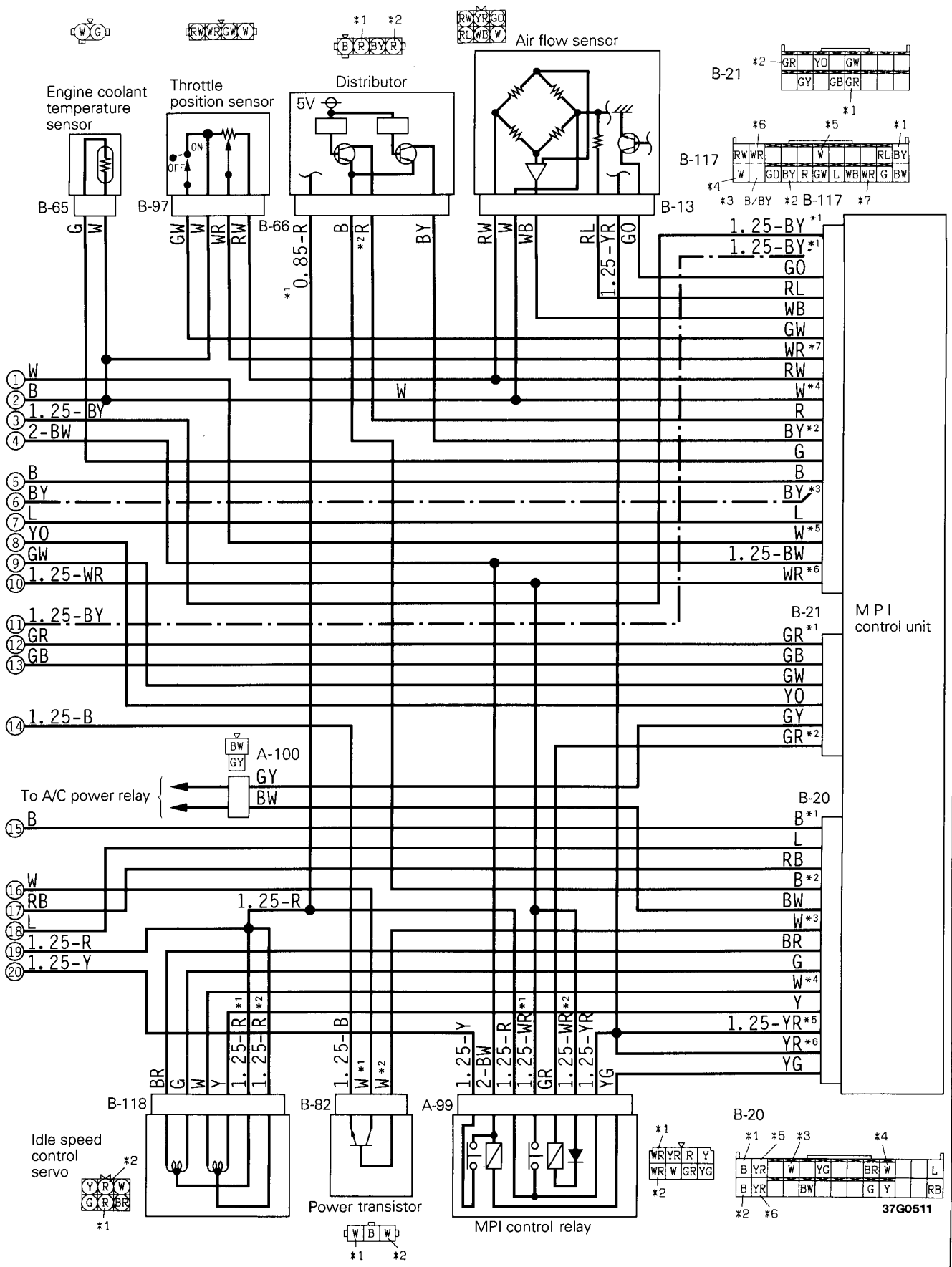
## Vehicles for Australia

A circuit exclusive for the '95 model has been set.



- Remarks
- (1) The chain line (---) is applicable to vehicles with an automatic transmission.
  - (2) The symbols ①, ②, etc. indicate connections to the same number on the page to the right (or left). (Thus, ① on the right page is connected to ① on the left page.)

Wire colour code  
 B: Black Br: Brown G: Green Gr: Gray O: Orange P: Pink R: Red Sb: Sky blue V: Violet L: Blue W: White Y: Yellow Lg: Light green





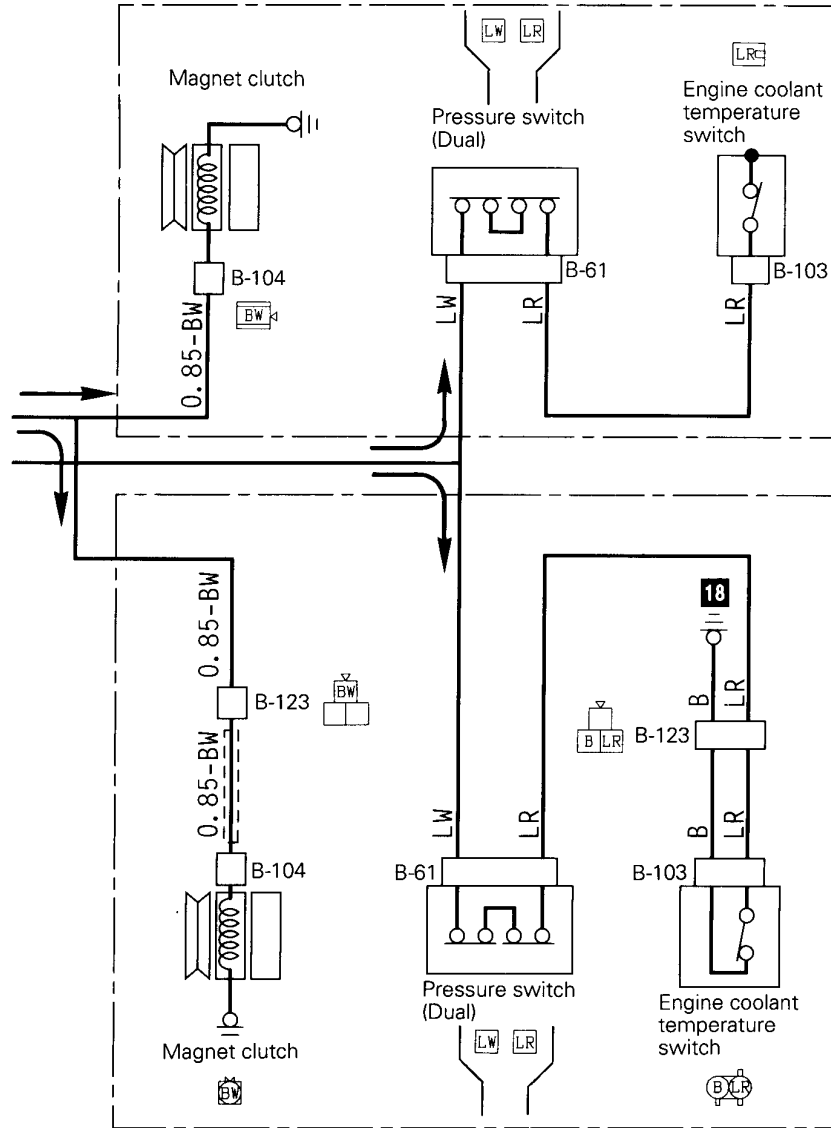
**AIR CONDITIONER CIRCUIT**

**Front type <Petrol-powered vehicles for General Export (except Mini-bus for GCC)>**

- The joint harness has been added to, and the circuit has been changed for the 4G92-conventional carburettor vehicle.

<Except 4G92-  
Conventional  
carburettor

<4G92-Conventional  
carburettor



37G0518